



US00D731187S

(12) **United States Design Patent**  
**Thompson et al.**

(10) **Patent No.:** **US D731,187 S**  
(45) **Date of Patent:** **\*\* Jun. 9, 2015**

(54) **CADDY**

(75) Inventors: **Craig D. Thompson**, Inver Grove Heights, MN (US); **Kevin J. Gilboe**, Woodbury, MN (US)

(73) Assignee: **3M INNOVATIVE PROPERTIES COMPANY**, St. Paul, MN (US)

(\*\*) Term: **14 Years**

(21) Appl. No.: **29/422,454**

(22) Filed: **May 21, 2012**

(51) **LOC (10) Cl.** ..... **03-04**

(52) **U.S. Cl.**

USPC ..... **D3/315**

(58) **Field of Classification Search**

USPC ..... D3/20, 200, 201, 203.1, 203.3, 205, D3/206, 273, 276, 304-315; D6/525, 475, D6/476; D19/75, 77, 86, 90, 92, 100; 206/203, 214, 215, 822, 307.1; 229/100, 913, 914, 406

See application file for complete search history.

(56) **References Cited**

**U.S. PATENT DOCUMENTS**

5,265,558	A *	11/1993	Schonrock	.....	119/28.5
D424,805	S *	5/2000	Green	.....	D3/304
D487,845	S *	3/2004	Johansson et al.	.....	D3/304
D519,735	S *	5/2006	Bentley et al.	.....	D3/304
D530,919	S *	10/2006	Snell	.....	D3/304
D530,921	S *	10/2006	Snell	.....	D3/304
D660,058	S *	5/2012	Kincaid et al.	.....	D6/510

\* cited by examiner

*Primary Examiner* — Ian Simmons

*Assistant Examiner* — Charles Hanson

(74) *Attorney, Agent, or Firm* — Irina Hass

(57) **CLAIM**

The ornamental design for a caddy, as shown and described.

**DESCRIPTION**

FIG. 1 is a perspective view showing the new design for a caddy;

FIG. 2 is a front view thereof;

FIG. 3 is a rear view thereof;

FIG. 4 is a top view thereof;

FIG. 5 is a bottom view thereof;

FIG. 6 is a right side view thereof, the left side being a mirror image thereof;

FIG. 7 is a perspective view showing the alternative new design for a caddy;

FIG. 8 is a front view thereof;

FIG. 9 is a rear view thereof;

FIG. 10 is a top view thereof;

FIG. 11 is a bottom view thereof;

FIG. 12 is a right side view thereof, the left side being a mirror image thereof;

FIG. 13 is a perspective view showing the alternative new design for a caddy;

FIG. 14 is a front view thereof;

FIG. 15 is a rear view thereof;

FIG. 16 is a top view thereof;

FIG. 17 is a bottom view thereof;

FIG. 18 is a right side view thereof, the left side being a mirror image thereof;

FIG. 19 is a perspective view showing the alternative new design for a caddy;

FIG. 20 is a front view thereof;

FIG. 21 is a rear view thereof;

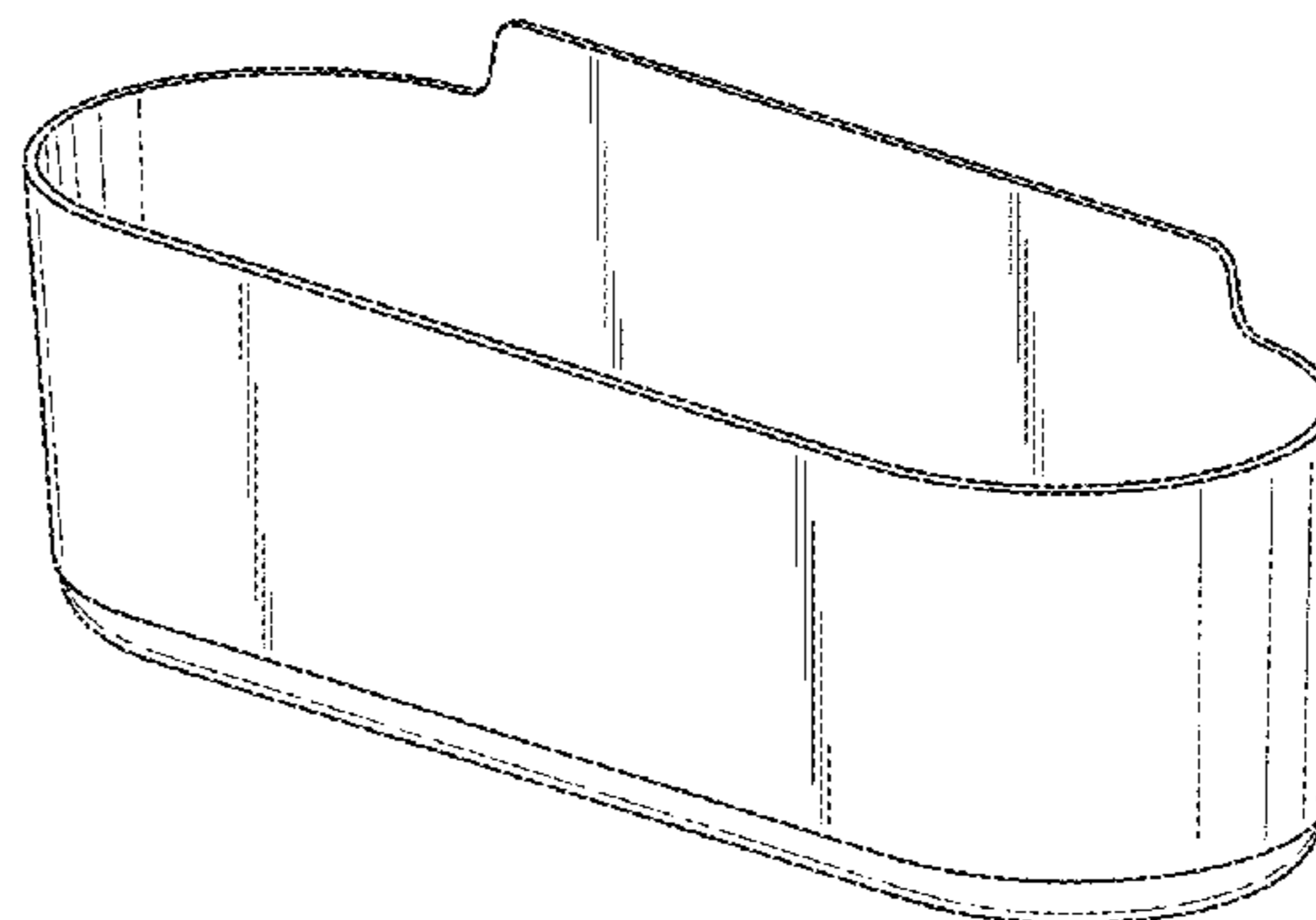
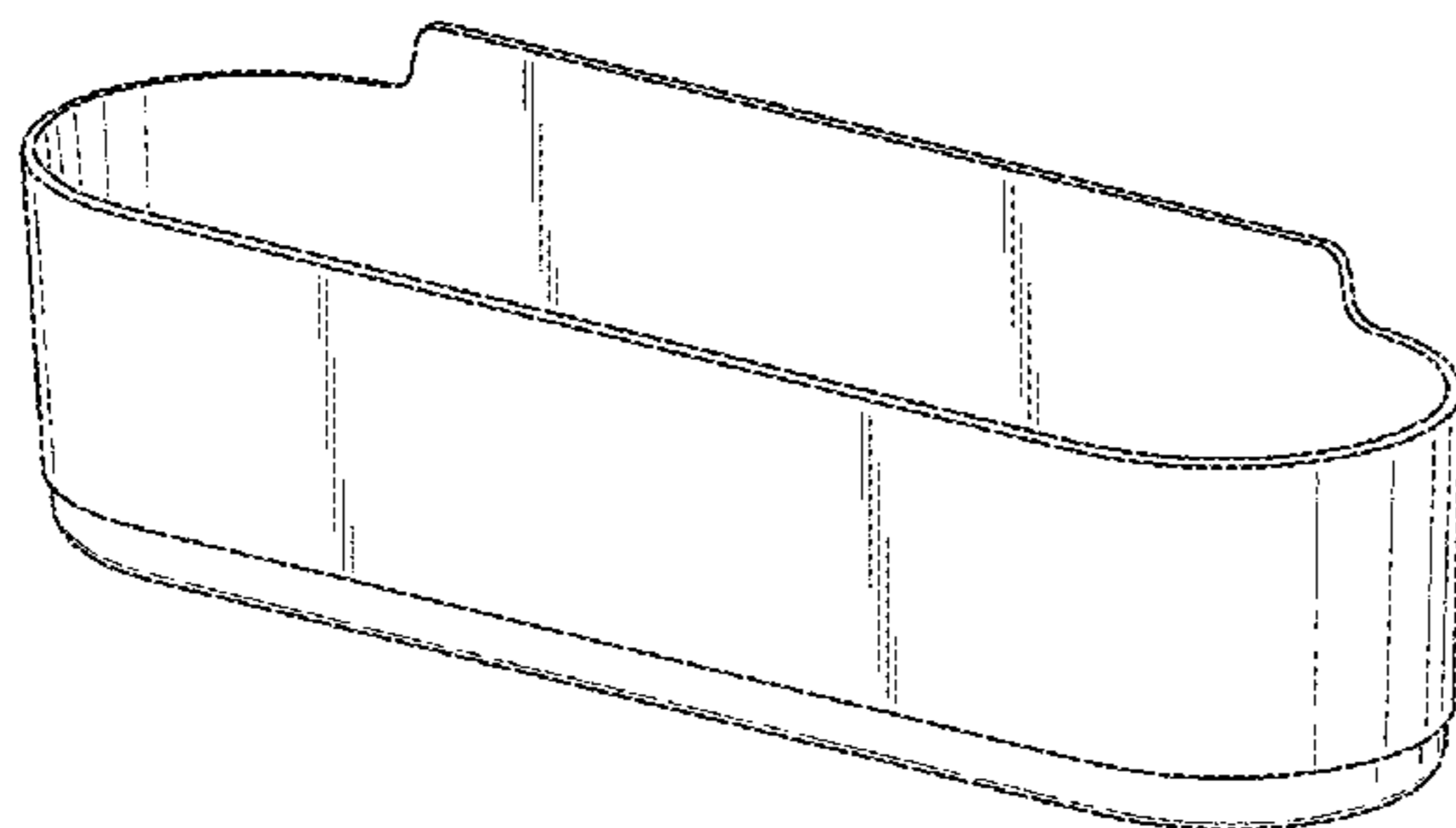
FIG. 22 is a top view thereof;

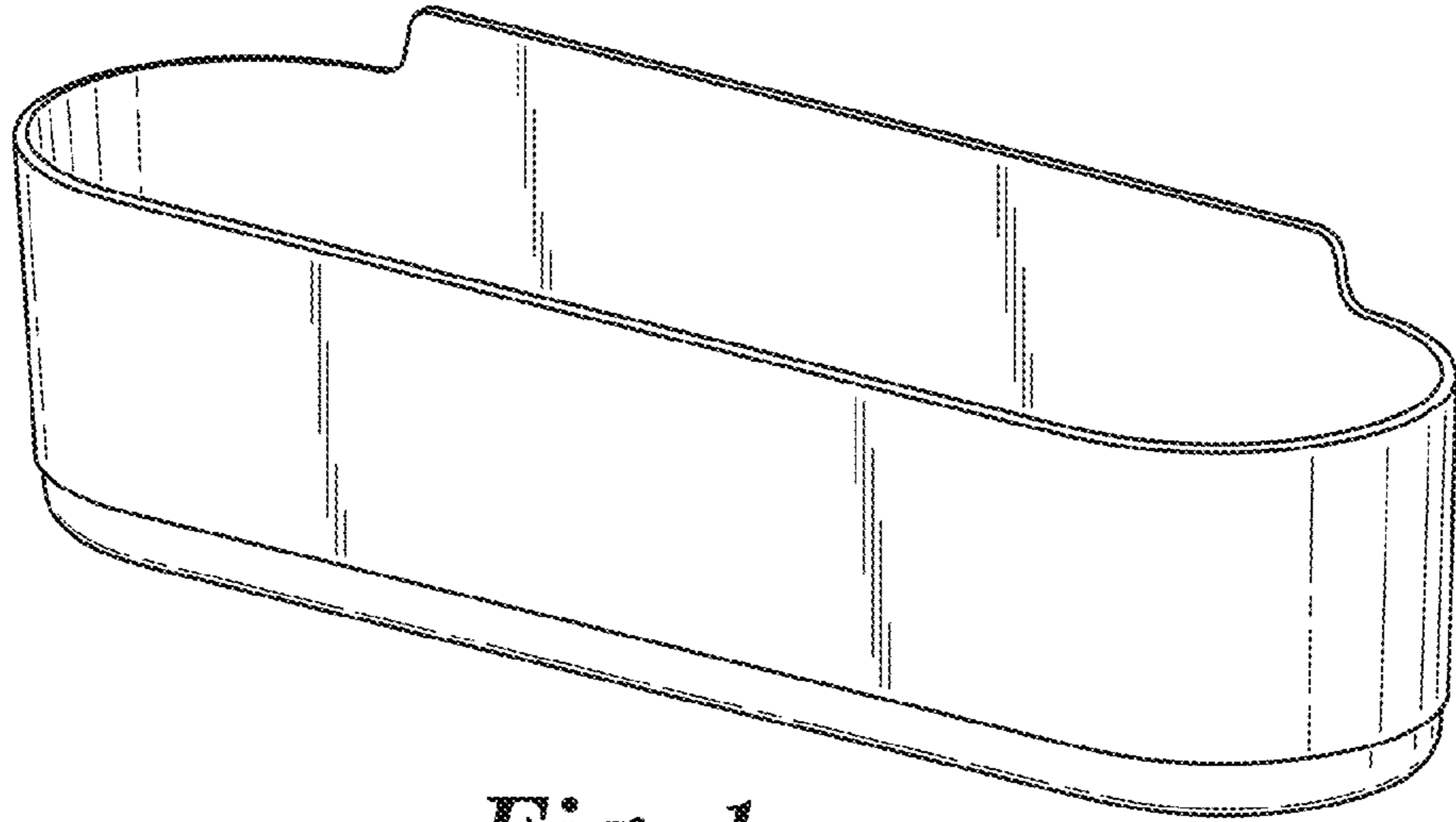
FIG. 23 is a bottom view thereof; and,

FIG. 24 is a right side view thereof, the left side being a mirror image thereof.

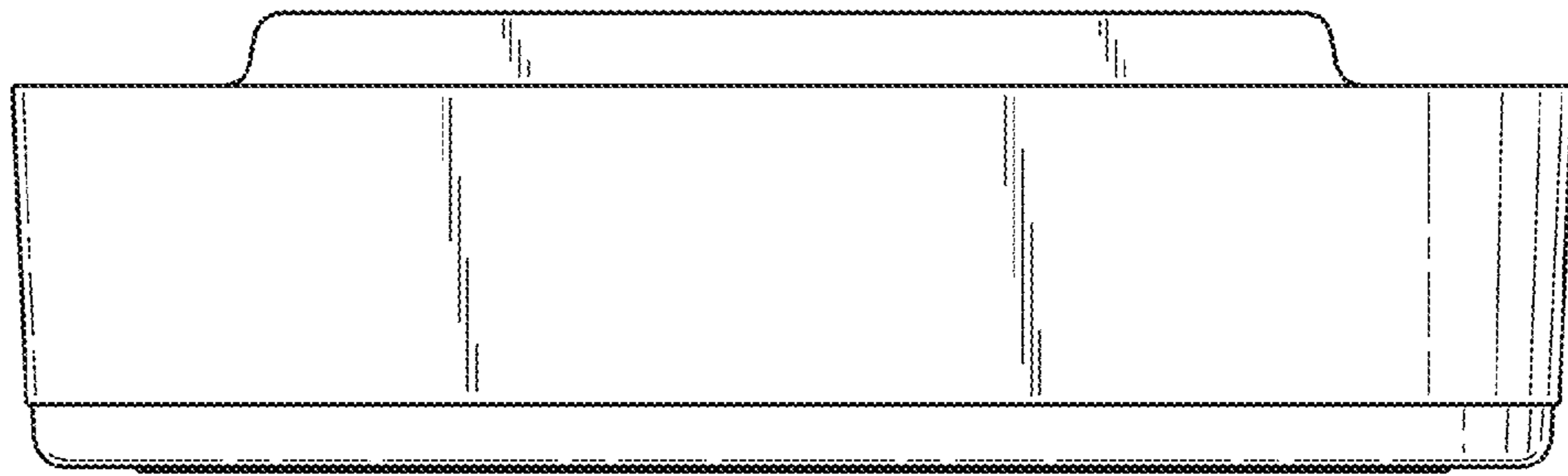
The claimed design is not limited to specific colors or materials. The embodiments of the claimed design illustrated in FIGS. 1 and 7, for example, comprise an opaque material. The embodiments of the claimed design illustrated in FIGS. 13 and 19 comprise a transparent or translucent material as indicated by oblique line shading.

**1 Claim, 8 Drawing Sheets**

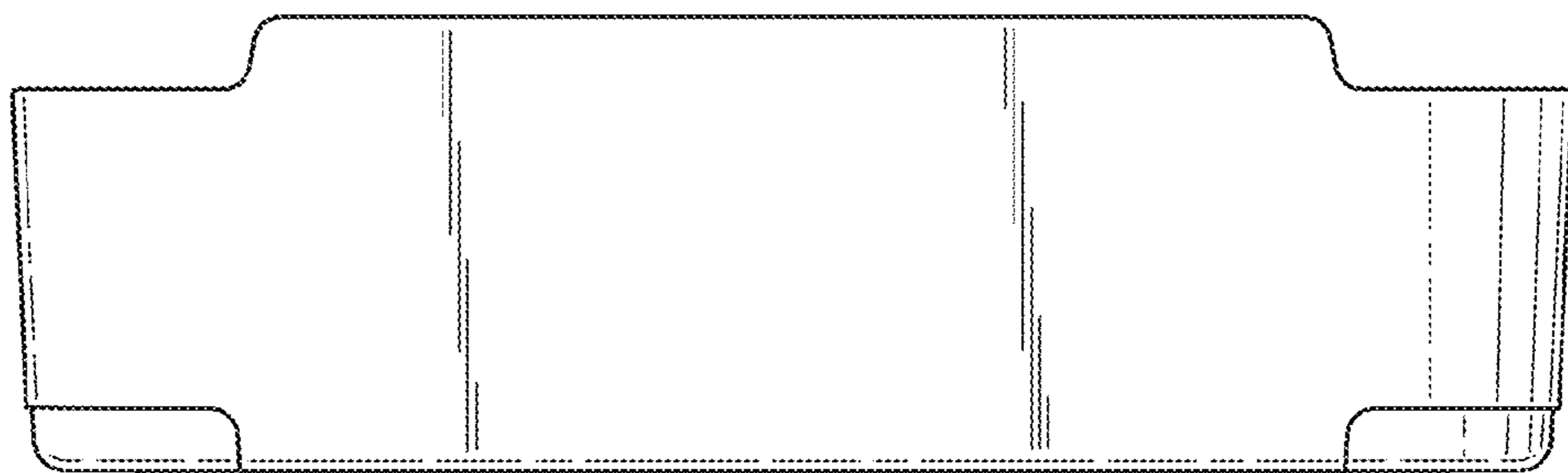




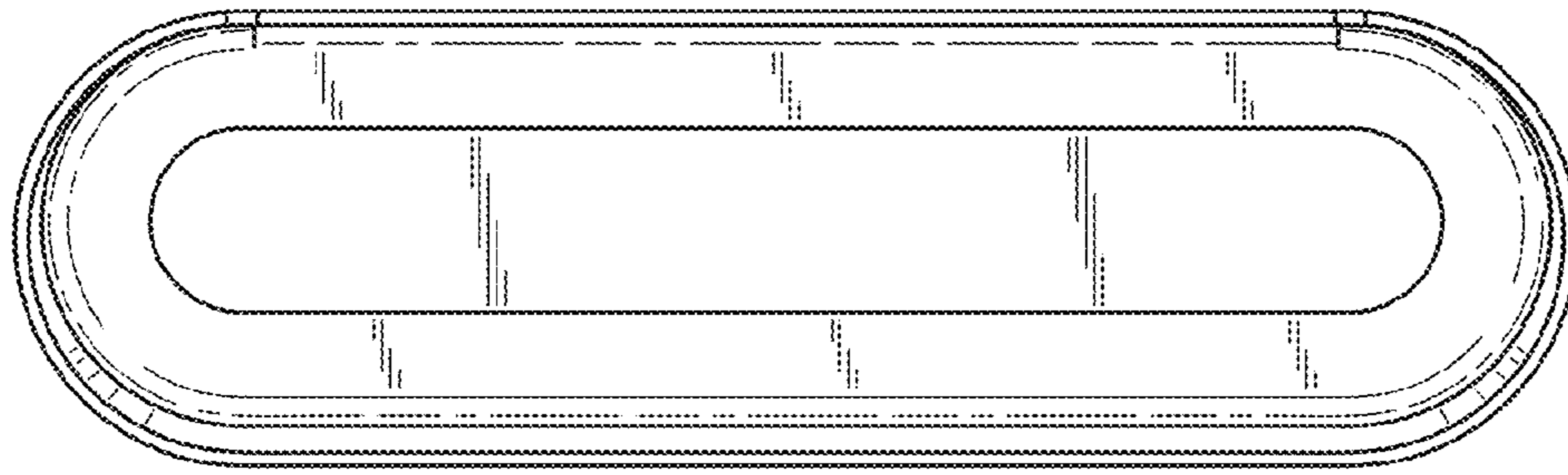
*Fig. 1*



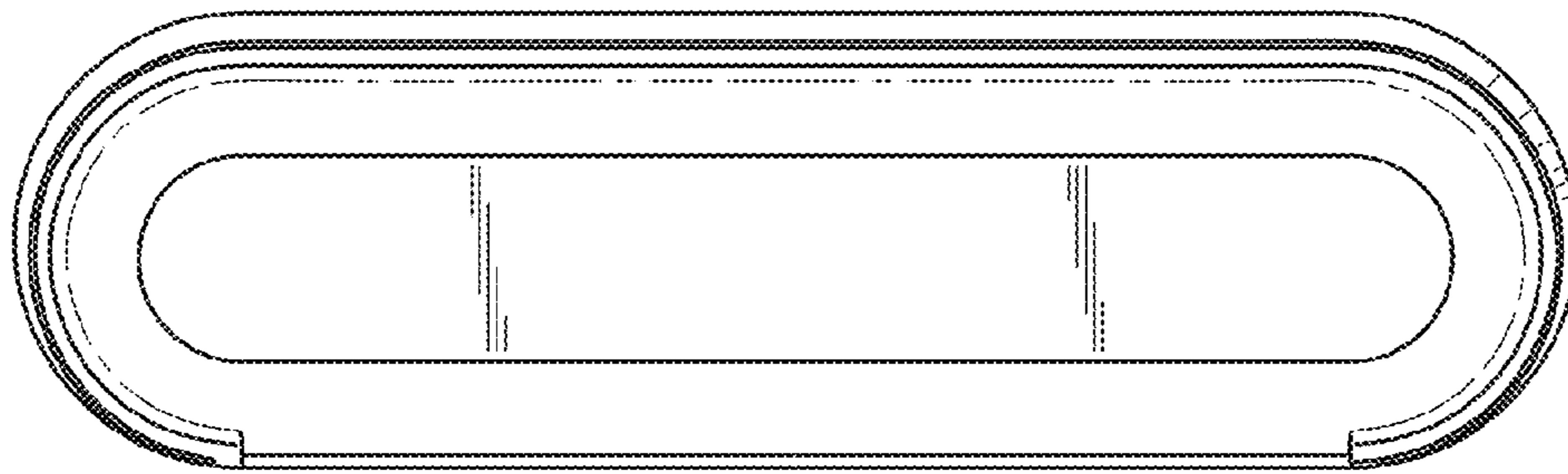
*Fig. 2*



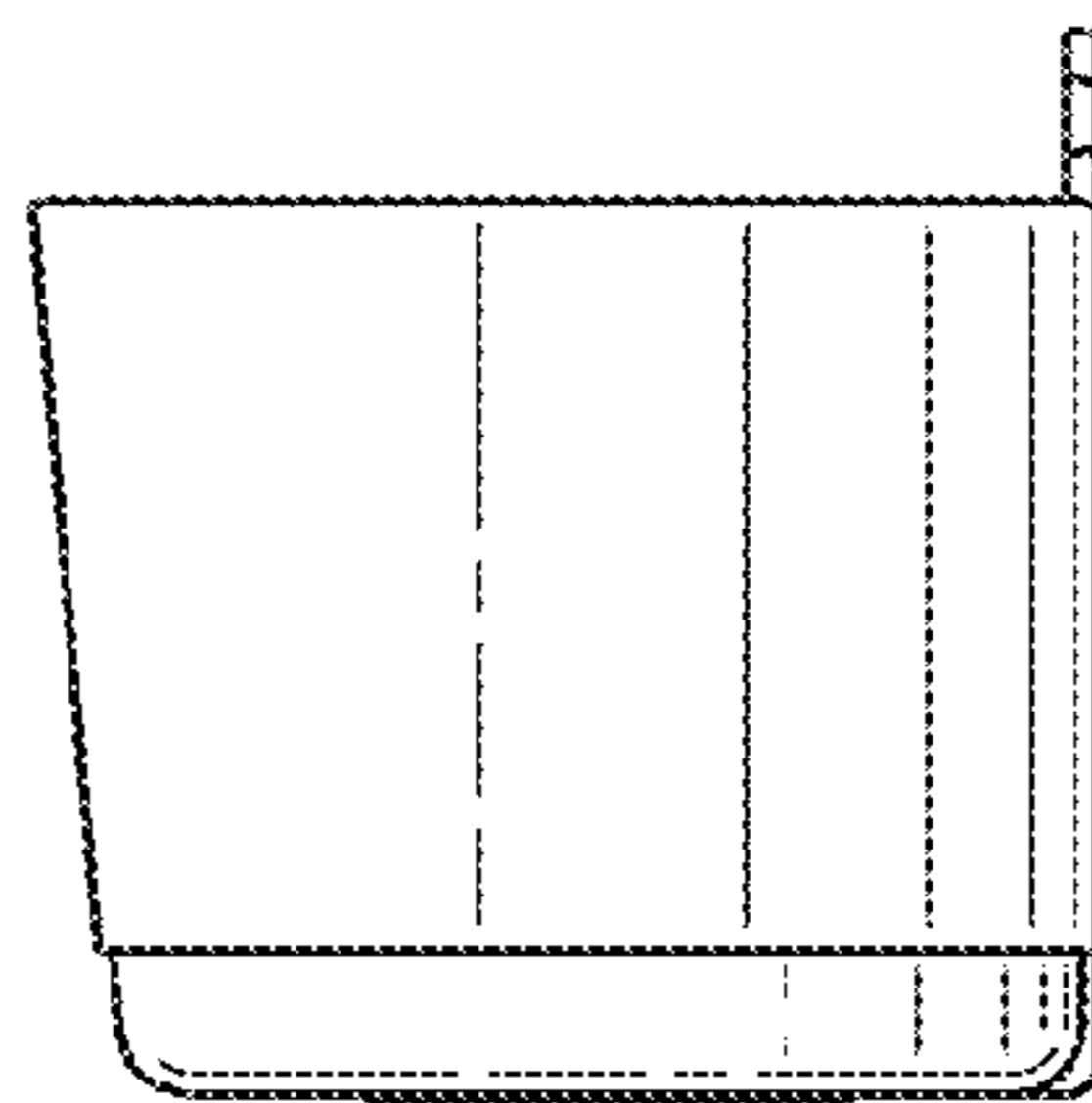
*Fig. 3*



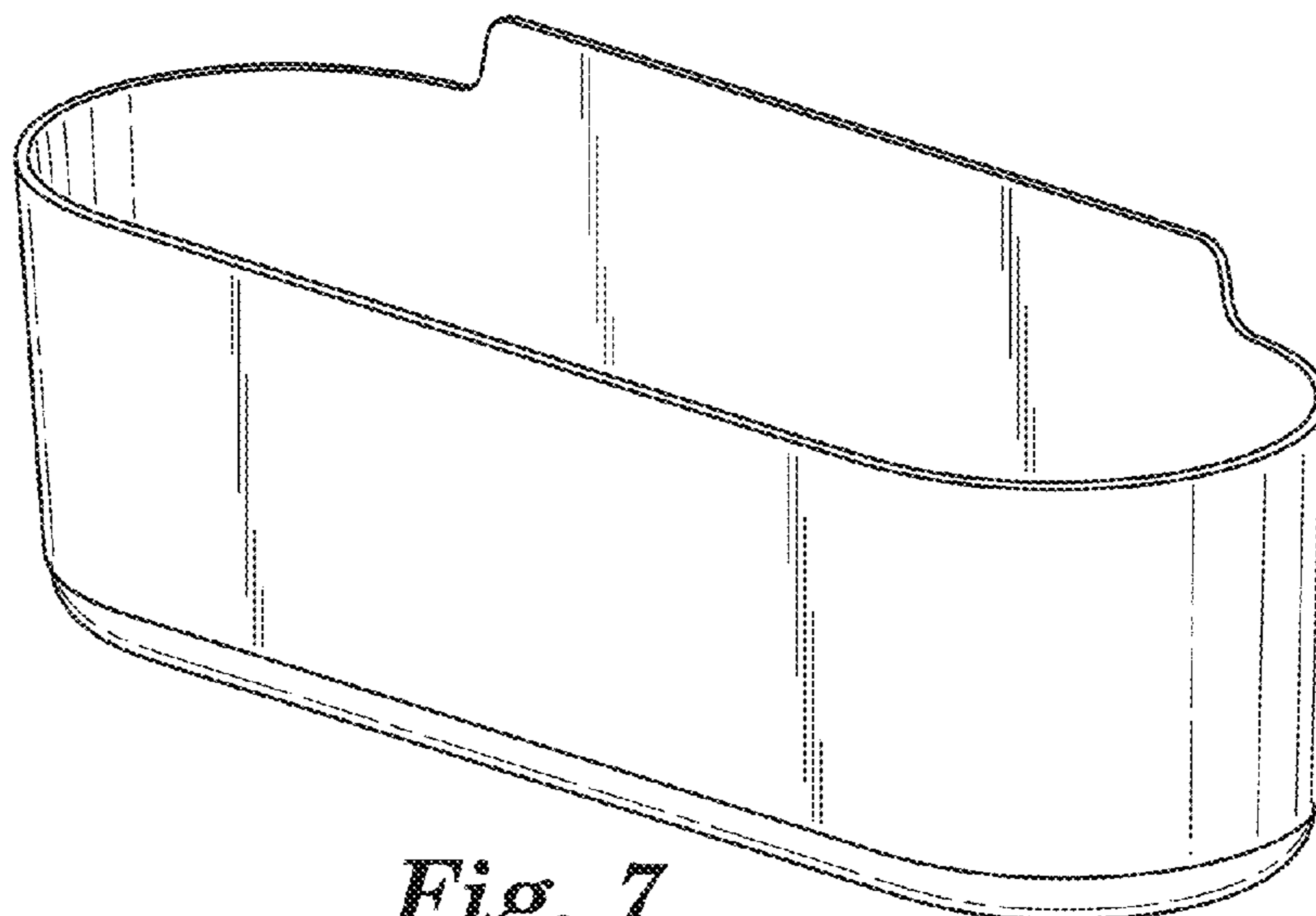
*Fig. 4*



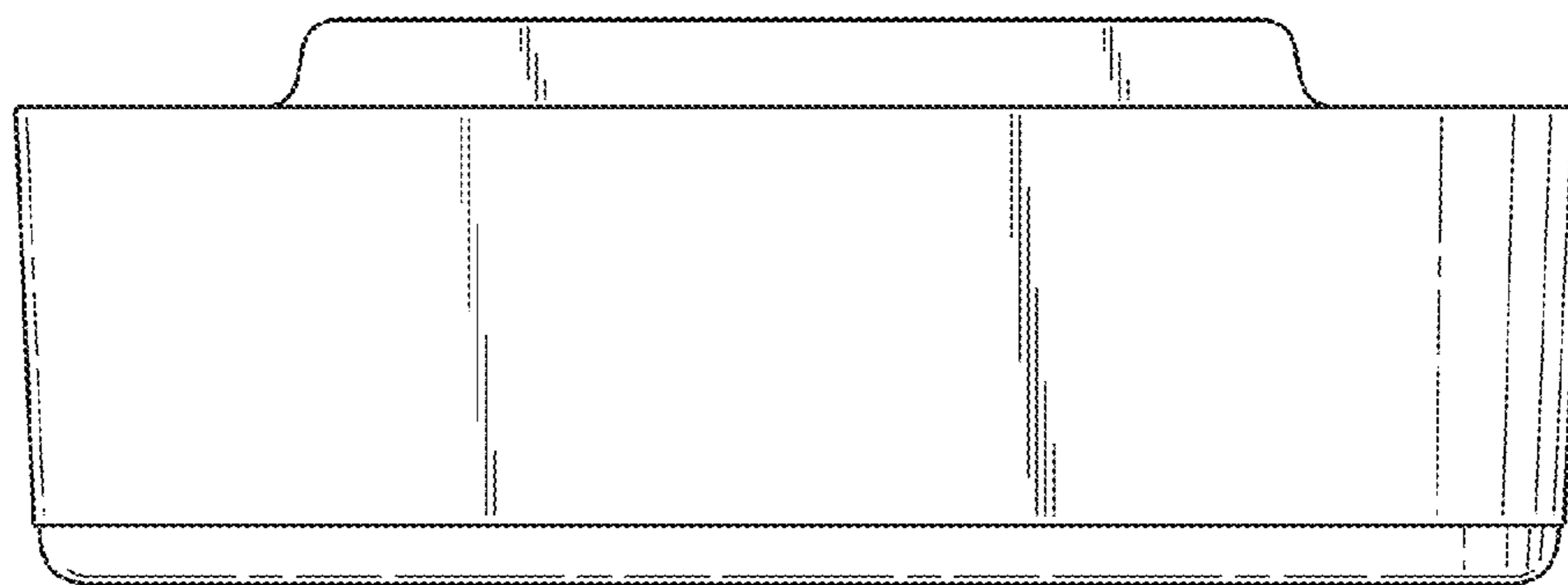
*Fig. 5*



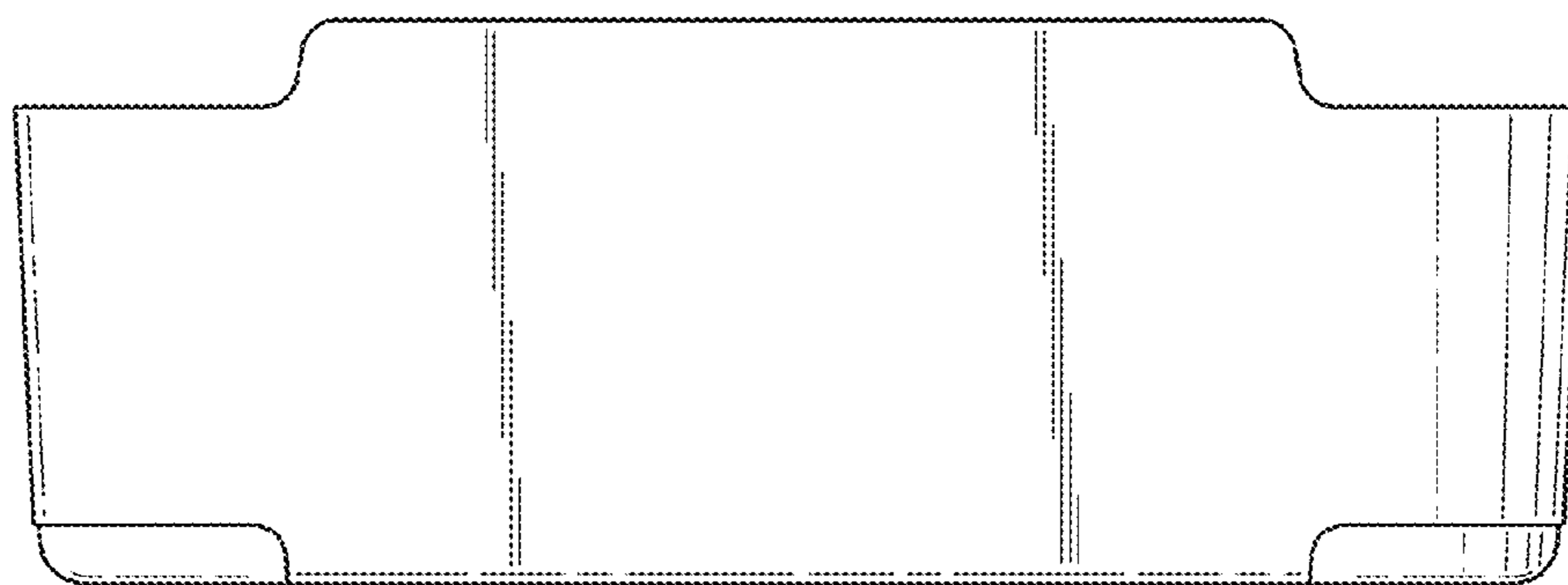
*Fig. 6*



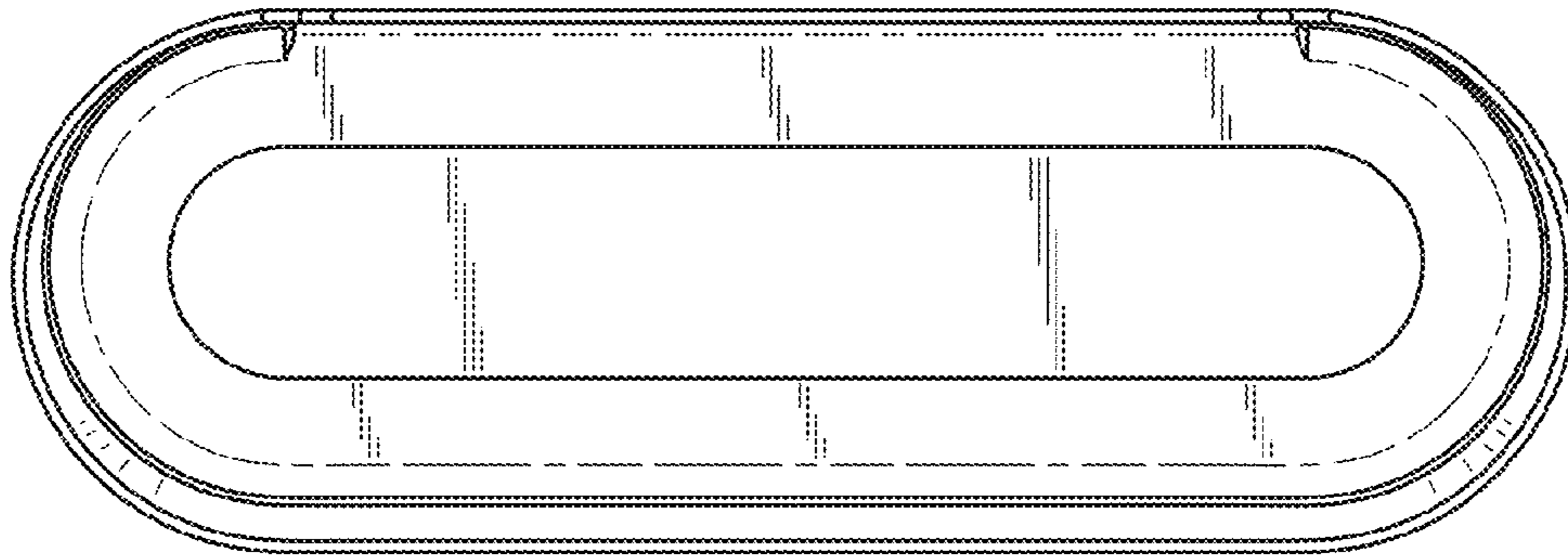
*Fig. 7*



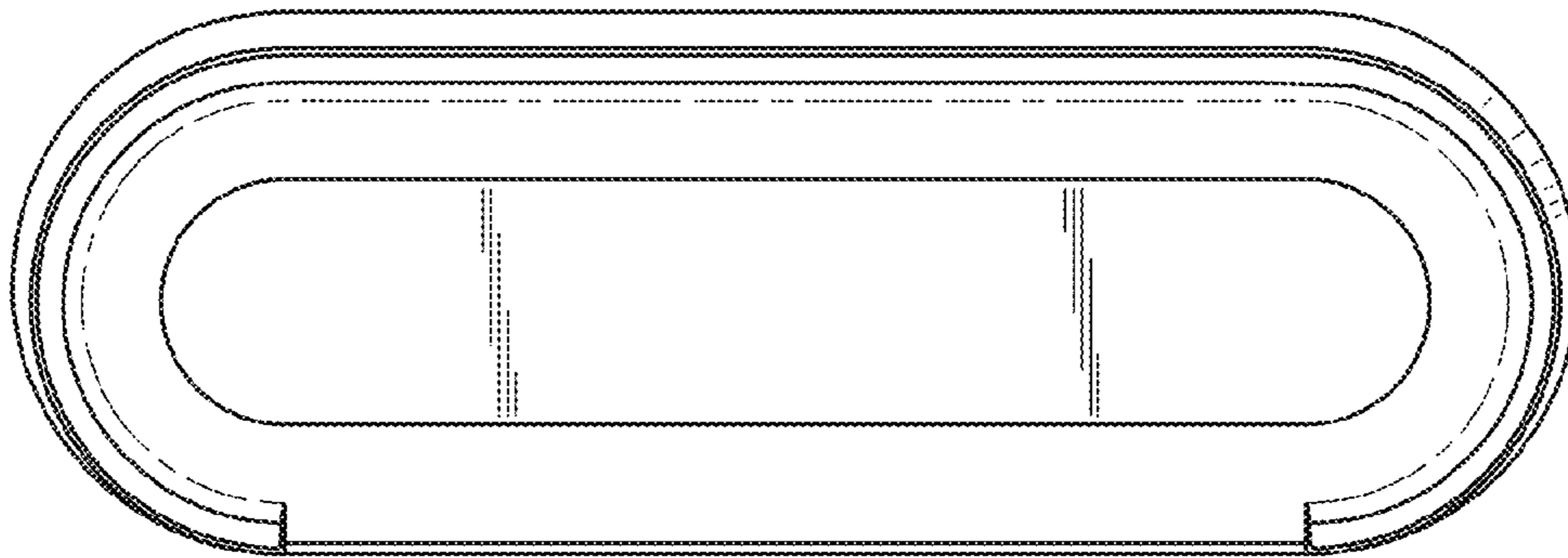
*Fig. 8*



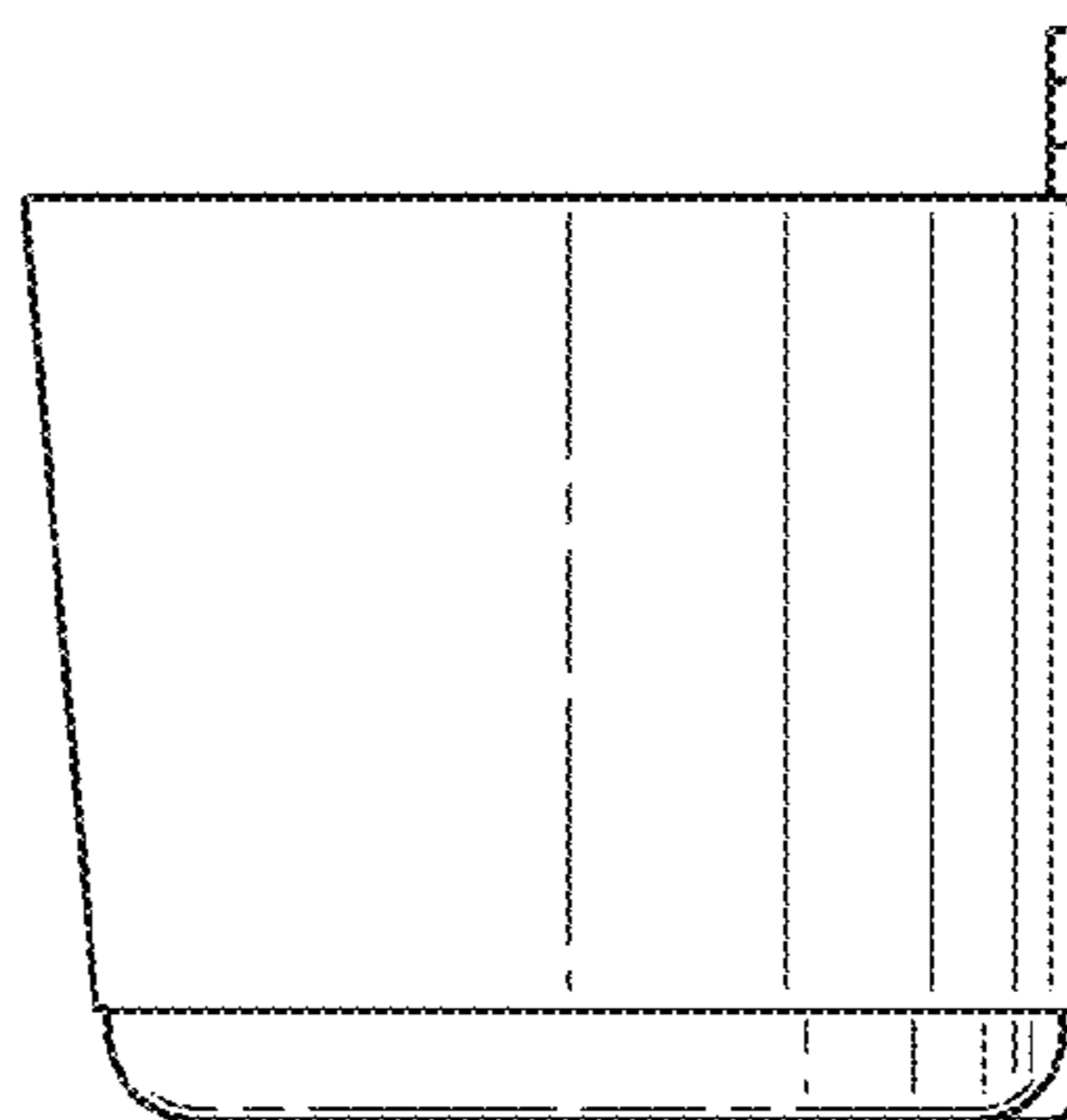
*Fig. 9*



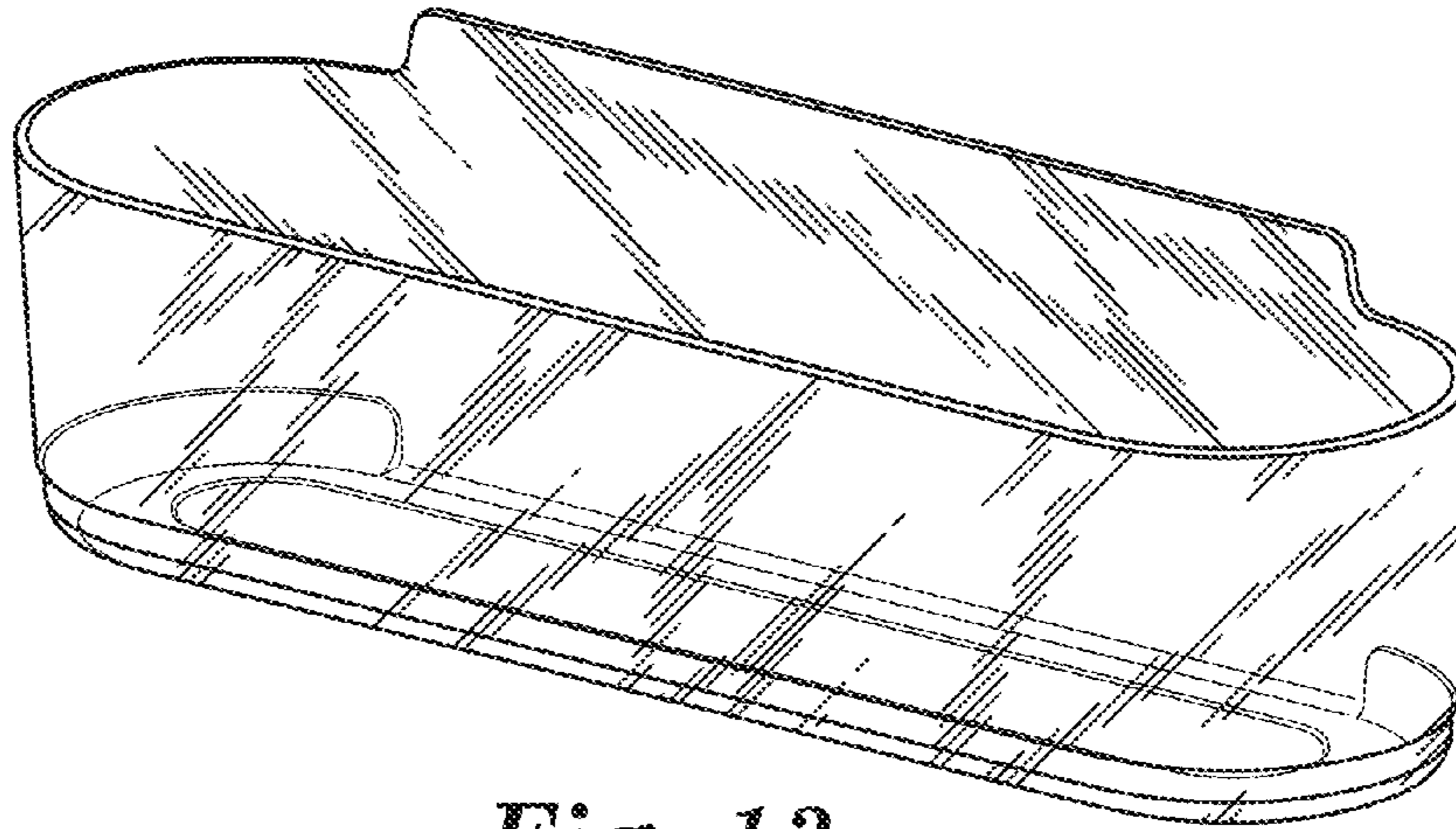
*Fig. 10*



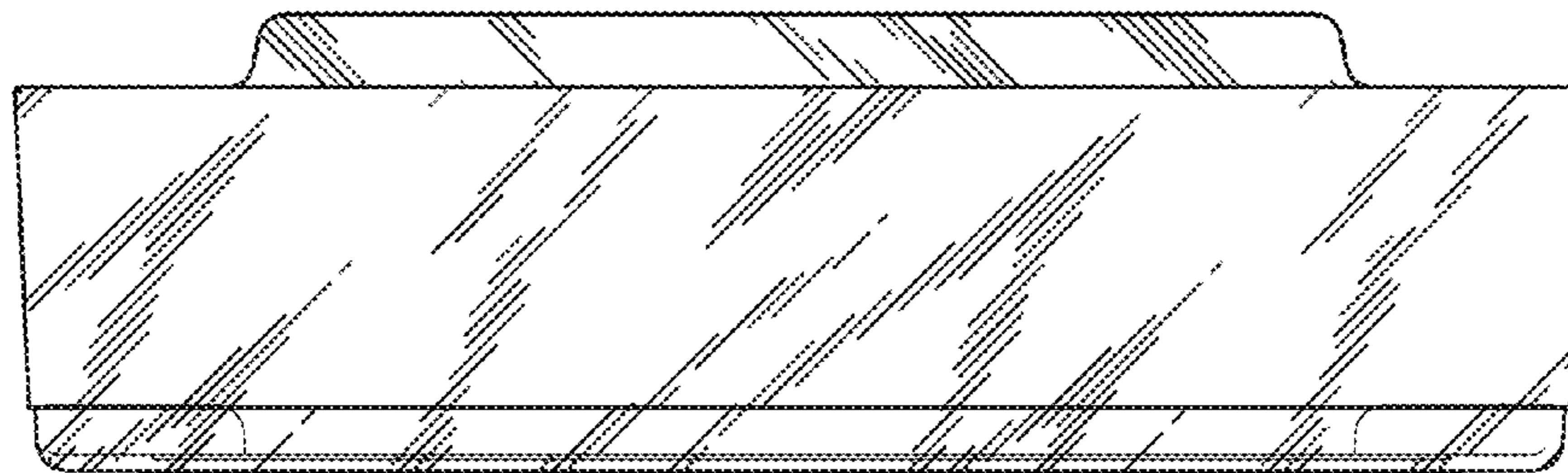
*Fig. 11*



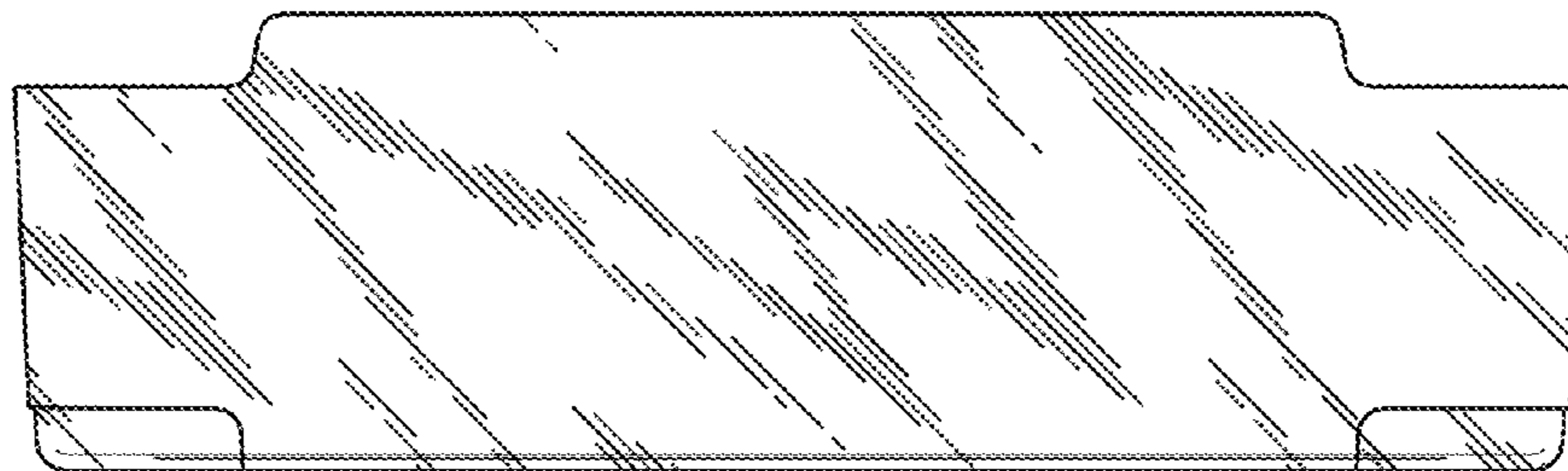
*Fig. 12*



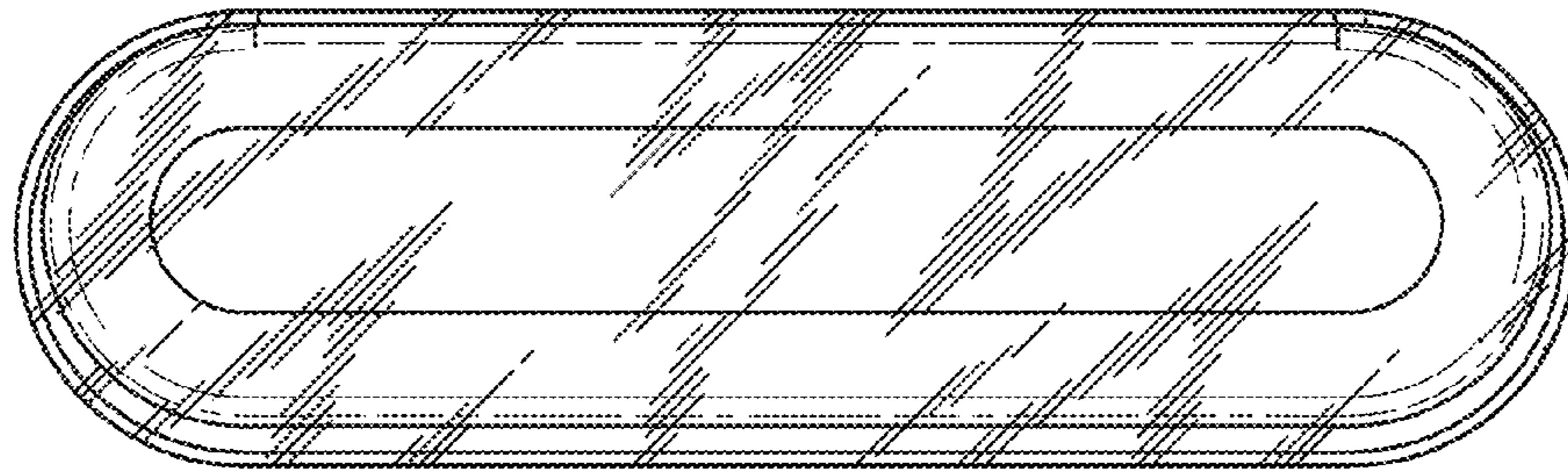
*Fig. 13*



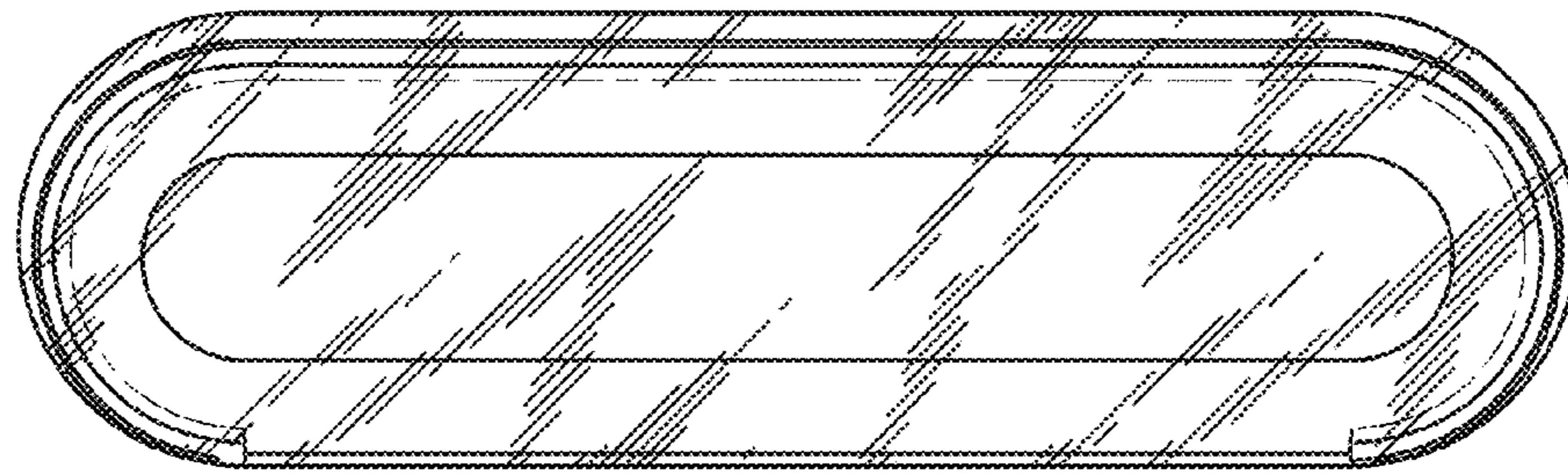
*Fig. 14*



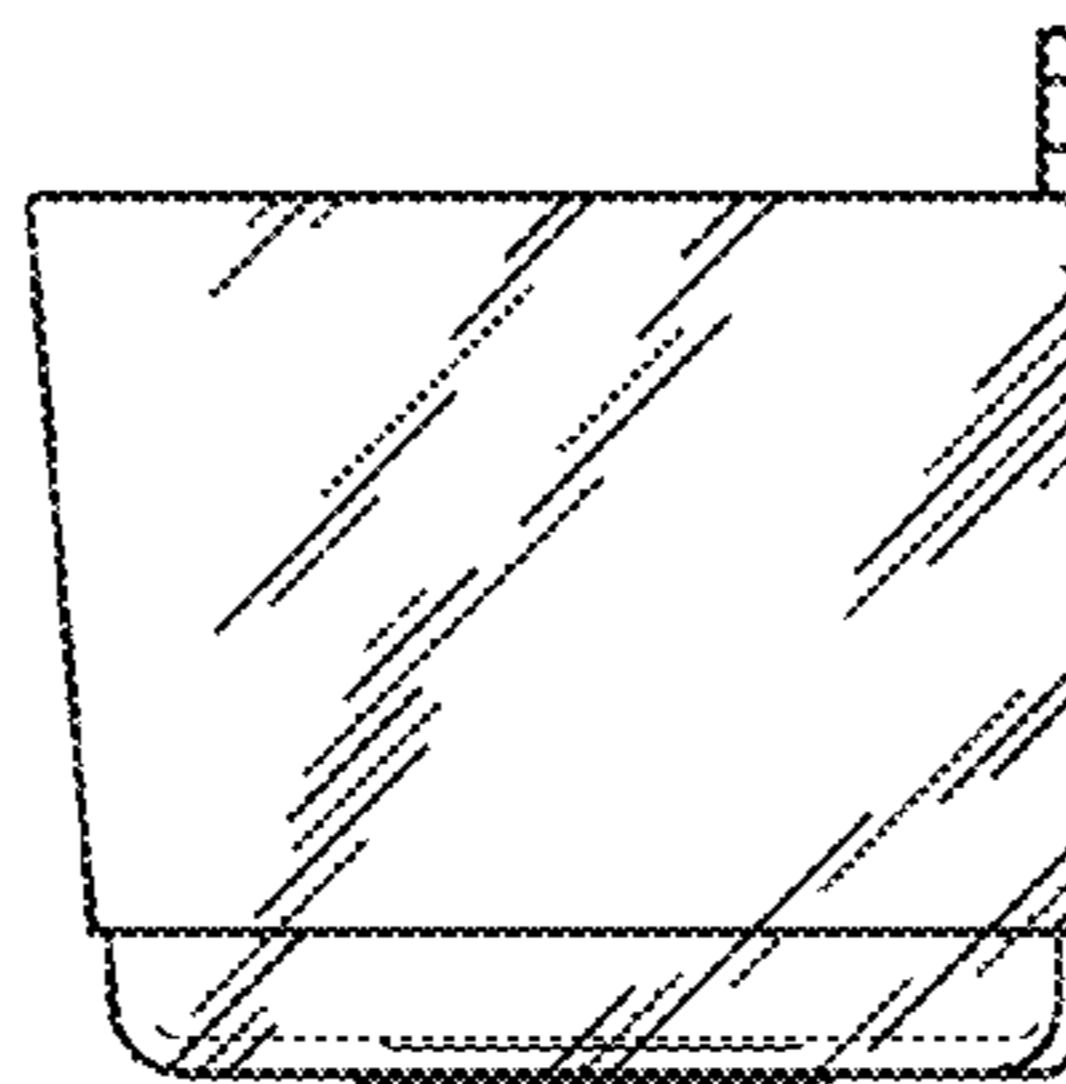
*Fig. 15*



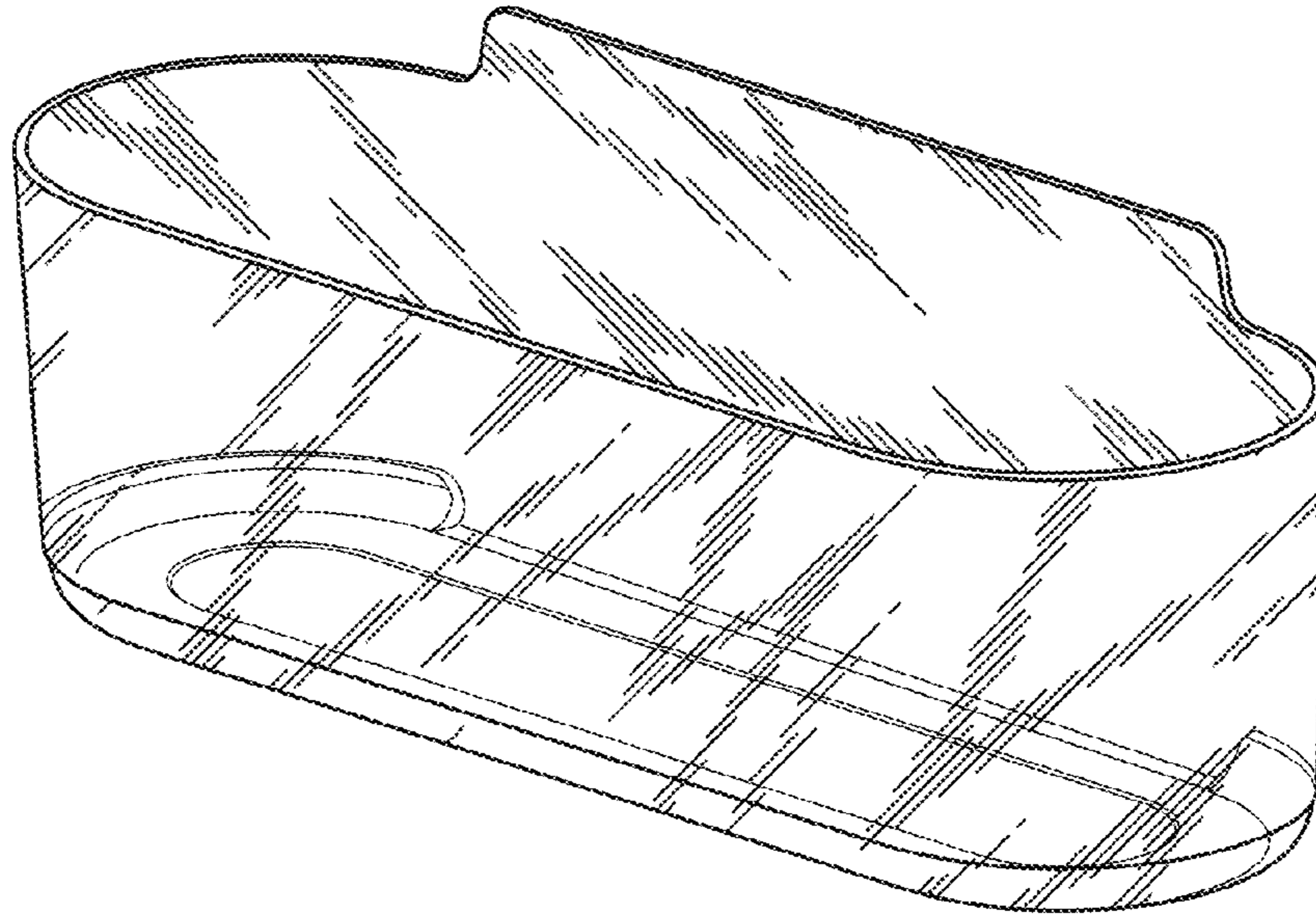
*Fig. 16*



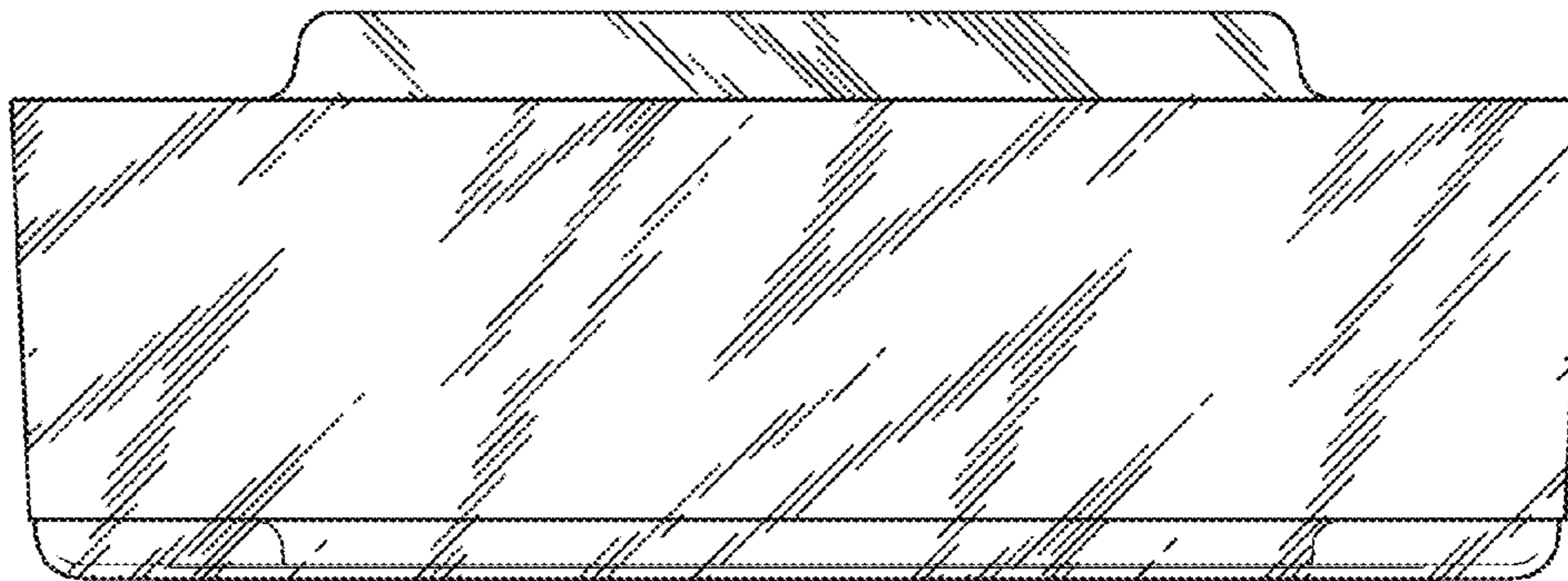
*Fig. 17*



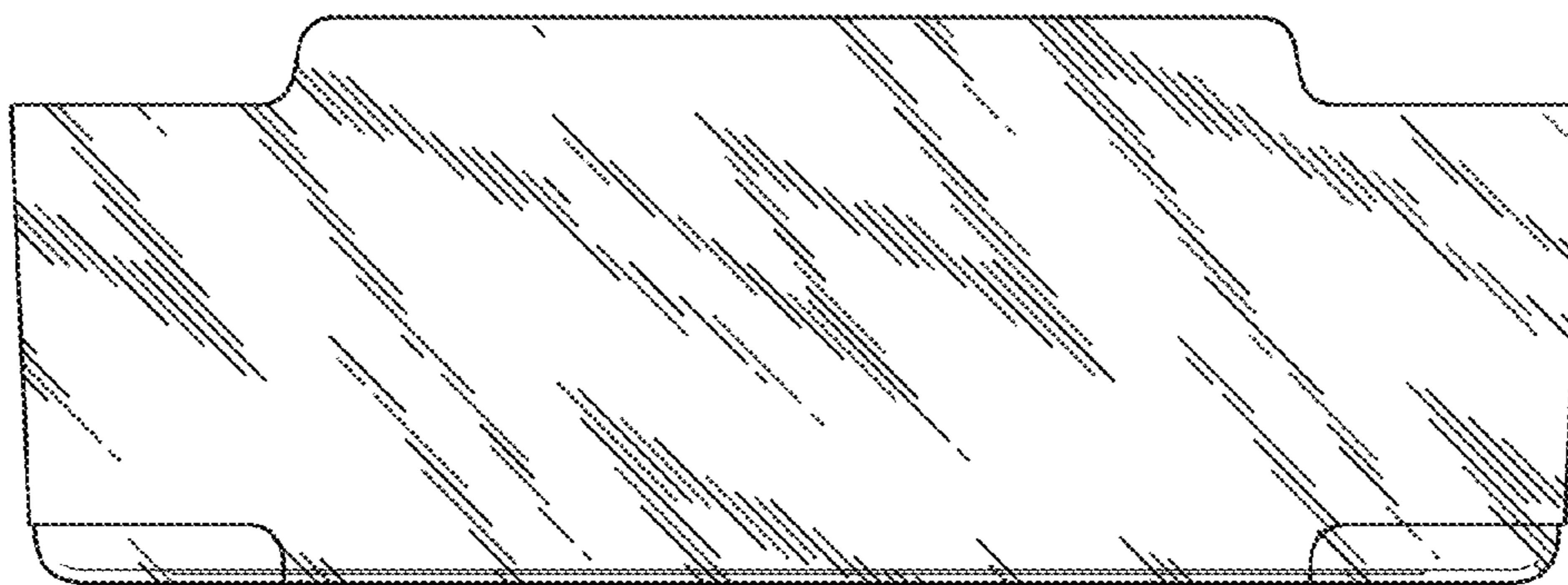
*Fig. 18*



*Fig. 19*

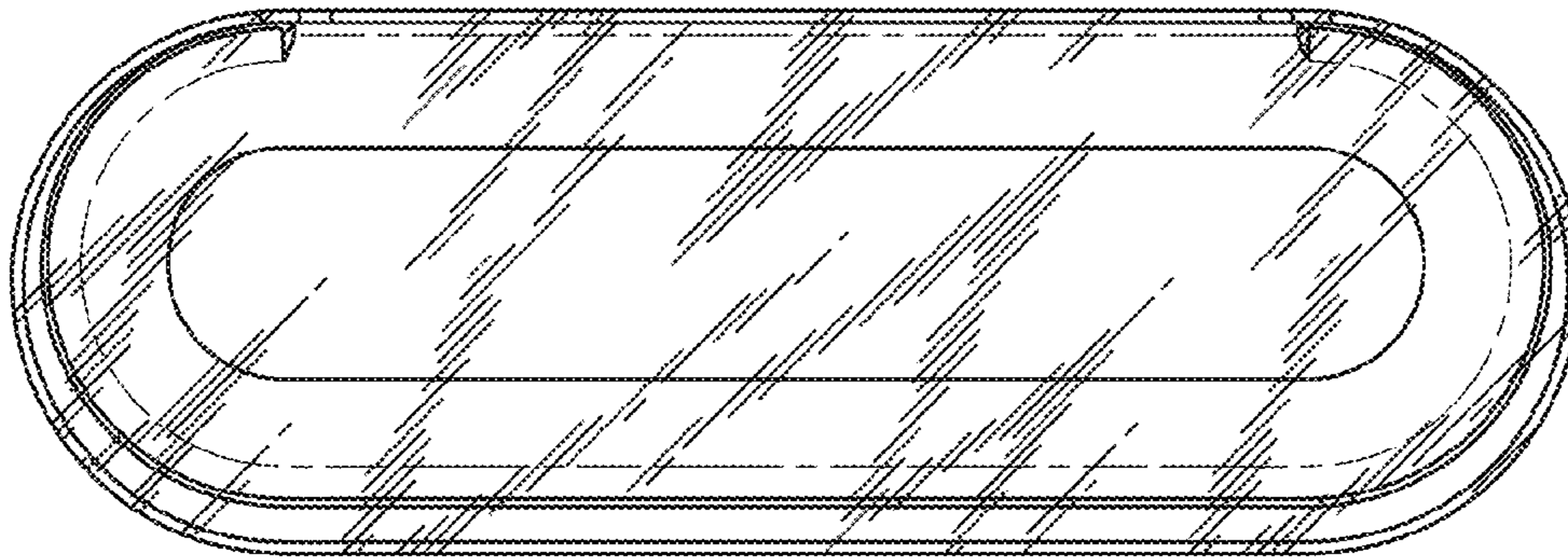


*Fig. 20*

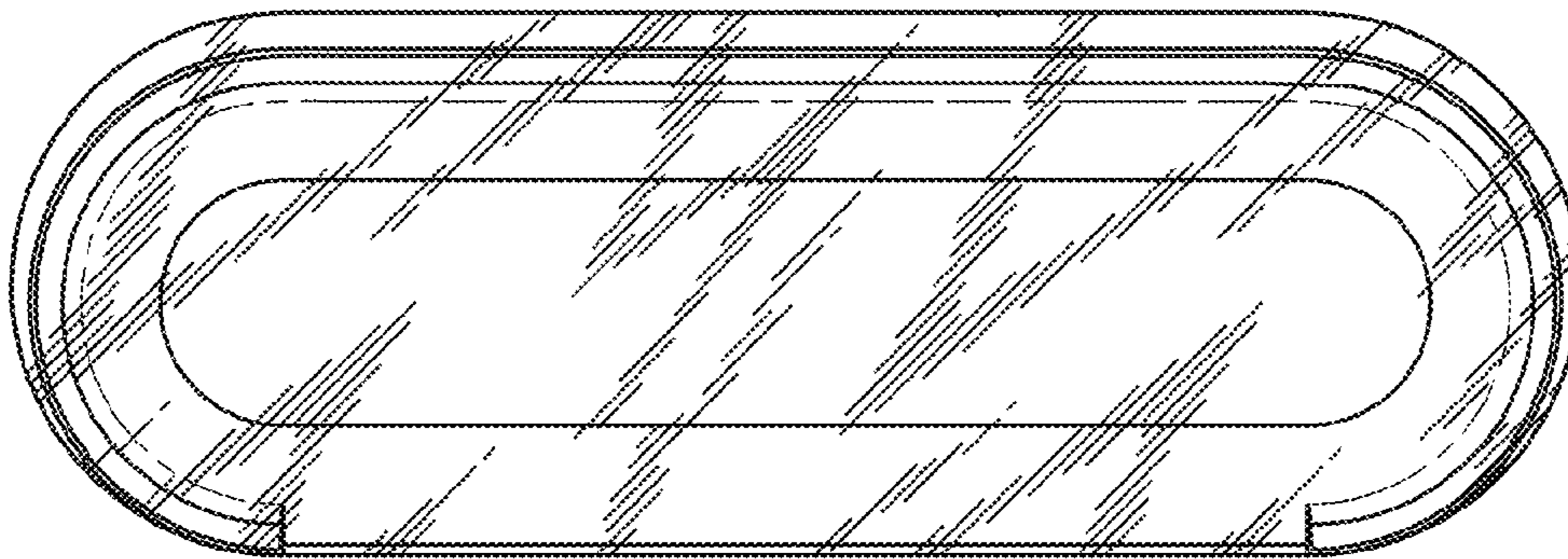


*Fig. 21*

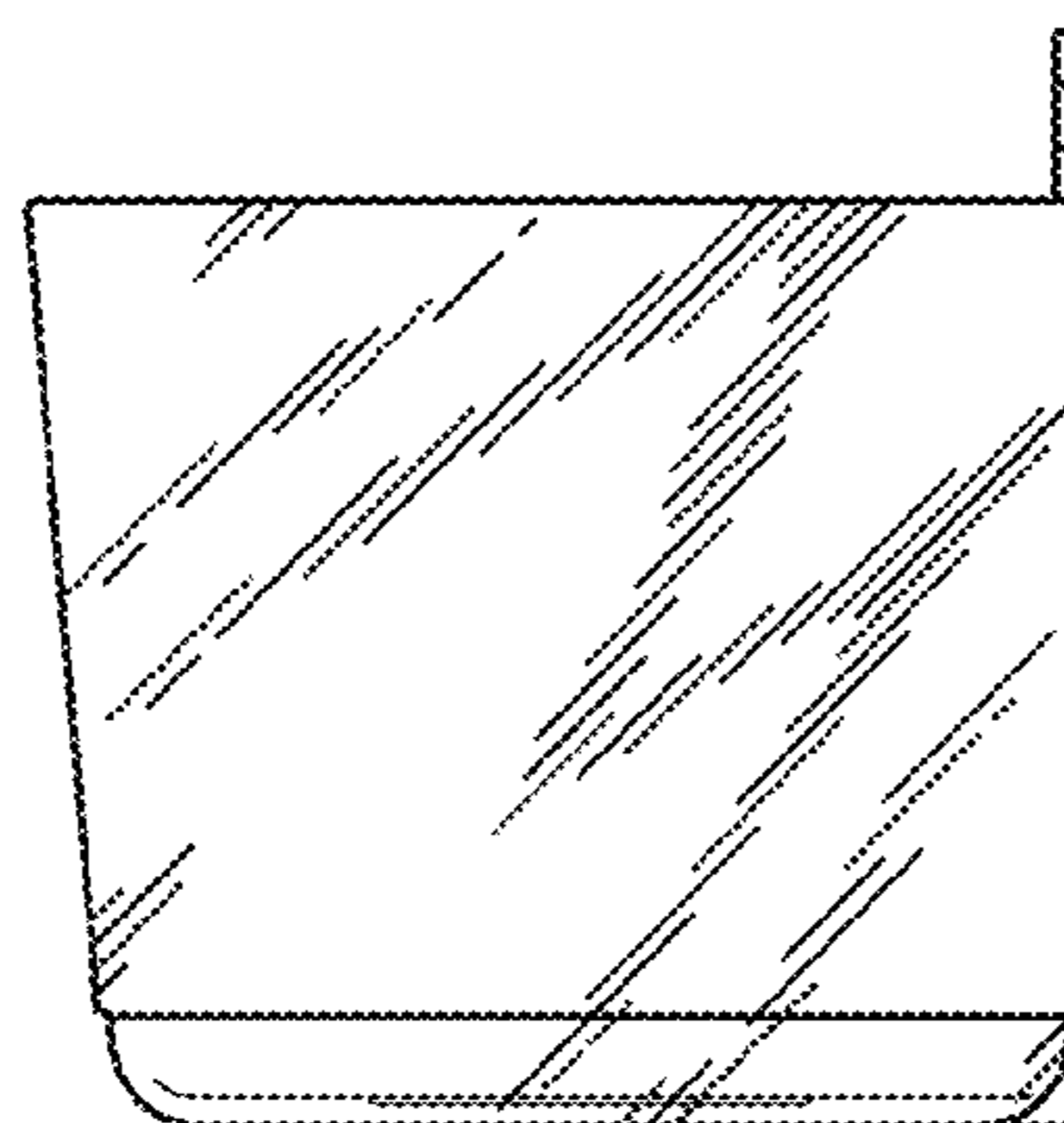




*Fig. 22*



*Fig. 23*



*Fig. 24*