



US00D731185S

(12) **United States Design Patent**
Hsu

(10) **Patent No.:** **US D731,185 S**
(45) **Date of Patent:** **** Jun. 9, 2015**

(54) **CONTAINER**

(71) Applicant: **L&F PLASTICS, CO., LTD.**, Miaoli County (TW)

(72) Inventor: **Mu-Chuan Hsu**, Miaoli County (TW)

(73) Assignee: **L&F Plastics, Co., Ltd.**, Miaoli County (TW)

(**) Term: **14 Years**

(21) Appl. No.: **29/489,265**

(22) Filed: **Apr. 29, 2014**

(30) **Foreign Application Priority Data**

Feb. 27, 2014 (TW) 102307194D01

Feb. 27, 2014 (TW) 103301182

(51) **LOC (10) Cl.** **03-01**

(52) **U.S. Cl.**
USPC **D3/304**

(58) **Field of Classification Search**
USPC D3/203.1, 203.6, 225, 218, 273, 302,
D3/304, 314; 206/503-506, 508, 510, 512,
206/514-515; D30/161
CPC A45C 13/083; A47F 1/04; B65D 71/0003;
B65D 2543/00222; B65D 2543/00296
See application file for complete search history.

(56) **References Cited**

U.S. PATENT DOCUMENTS

1,862,609 A * 6/1932 Shaw 312/107
D311,799 S * 10/1990 Embree et al. D3/294
5,147,044 A * 9/1992 DiSesa, Jr. 206/501

5,445,397 A * 8/1995 Evans 280/47.18
D429,882 S * 8/2000 Lee et al. D3/294
D515,313 S * 2/2006 Uffner et al. D3/294
7,789,238 B2 * 9/2010 Claypool et al. 206/508
D646,057 S * 10/2011 Loaiza D3/273
D676,238 S * 2/2013 Wu et al. D3/294
D719,731 S * 12/2014 Burgess et al. D3/302
D720,358 S * 12/2014 Ginsterblum D14/447
2006/0124653 A1 * 6/2006 McRorie, III 220/735
2010/0006467 A1 * 1/2010 Joseph et al. 206/508

* cited by examiner

Primary Examiner — Kelley Donnelly

(74) *Attorney, Agent, or Firm* — Alan D. Kamrath; Kamrath IP Lawfirm, P.A.

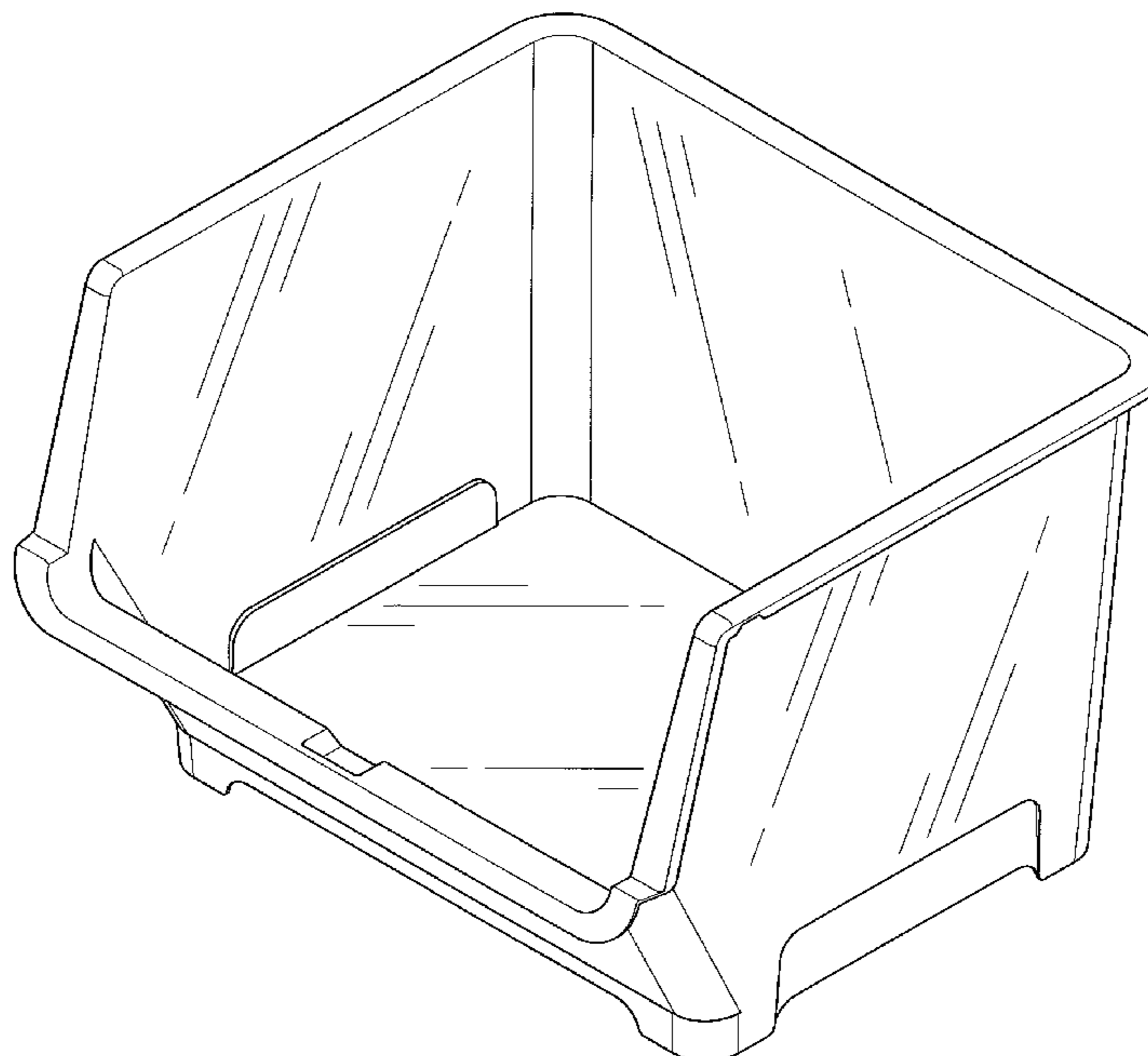
(57) **CLAIM**

The ornamental design for container, as shown and described.

DESCRIPTION

FIG. 1 is a perspective view of a container showing my new design;
FIG. 2 is a front view thereof;
FIG. 3 is a rear view thereof;
FIG. 4 is a left view thereof;
FIG. 5 is a right view thereof;
FIG. 6 is a top plan view thereof;
FIG. 7 is a bottom plan view thereof;
FIG. 8 is a perspective view of the container of FIG. 1 with a cover;
FIG. 9 is a front view of the container of FIG. 8;
FIG. 10 is a rear view of the container of FIG. 8;
FIG. 11 is a left view of the container of FIG. 8;
FIG. 12 is a right view of the container of FIG. 8;
FIG. 13 is a top plan view of the container of FIG. 8; and,
FIG. 14 is a bottom plan view of the container of FIG. 8.

1 Claim, 10 Drawing Sheets



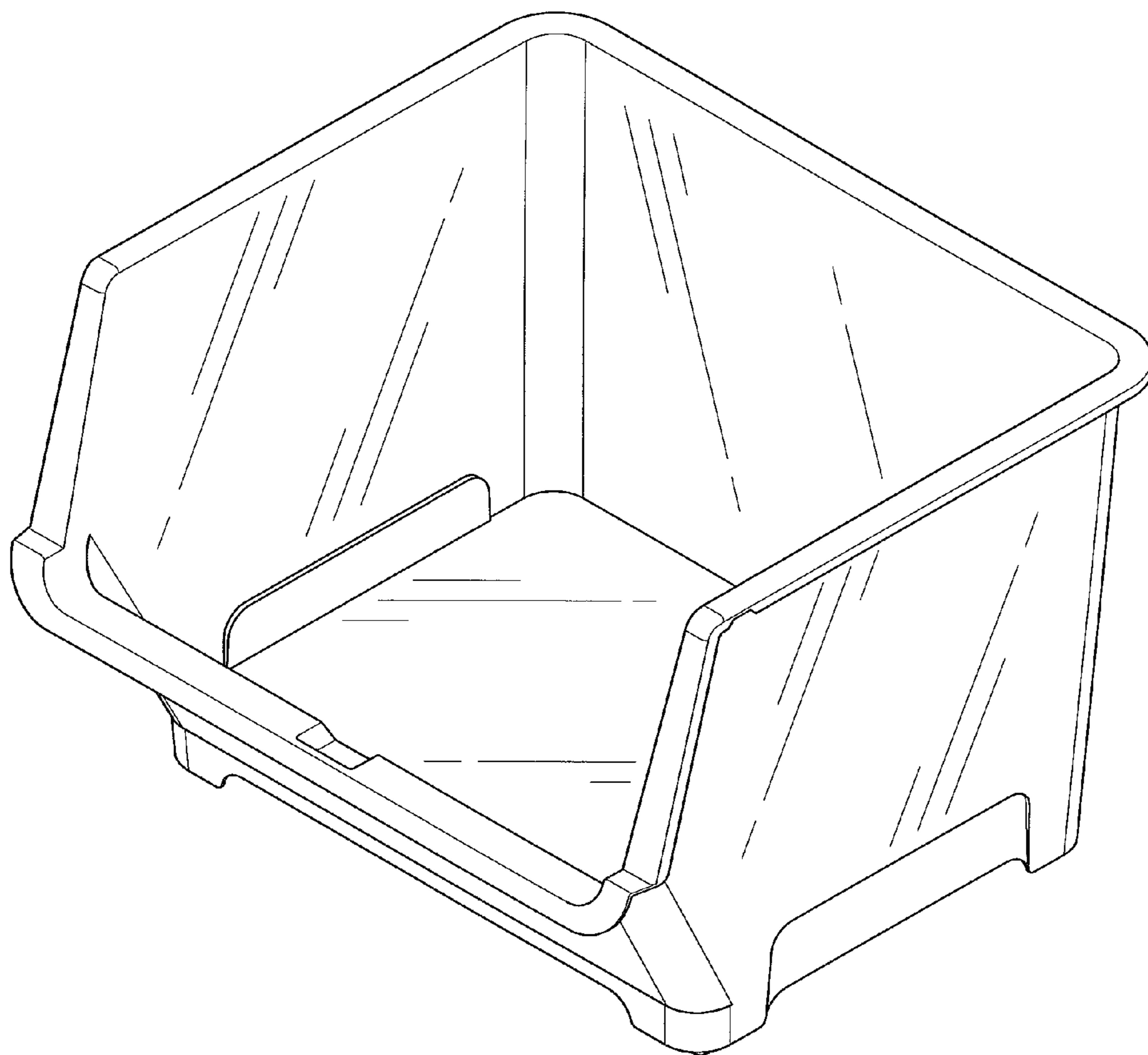


FIG. 1

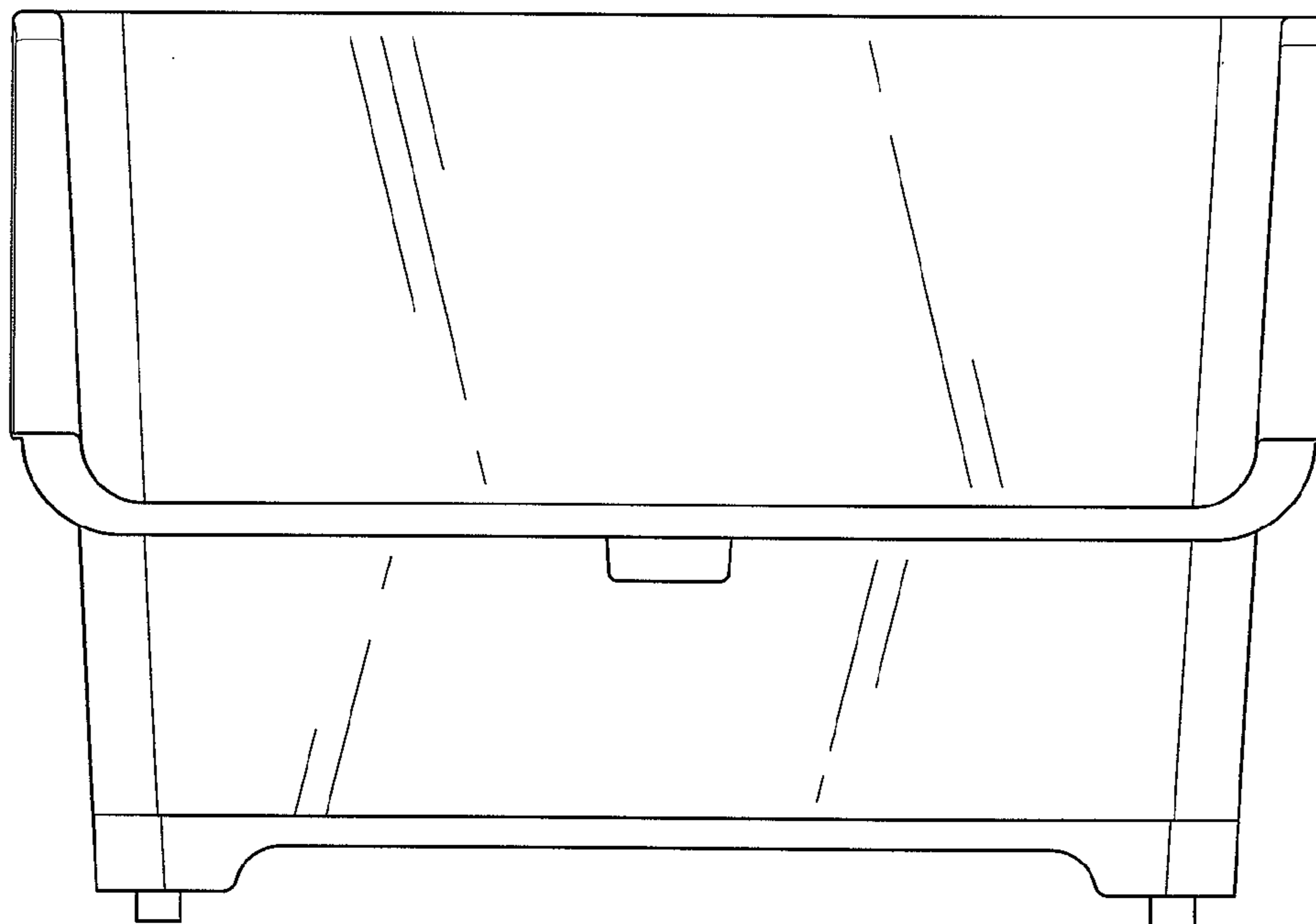


FIG. 2

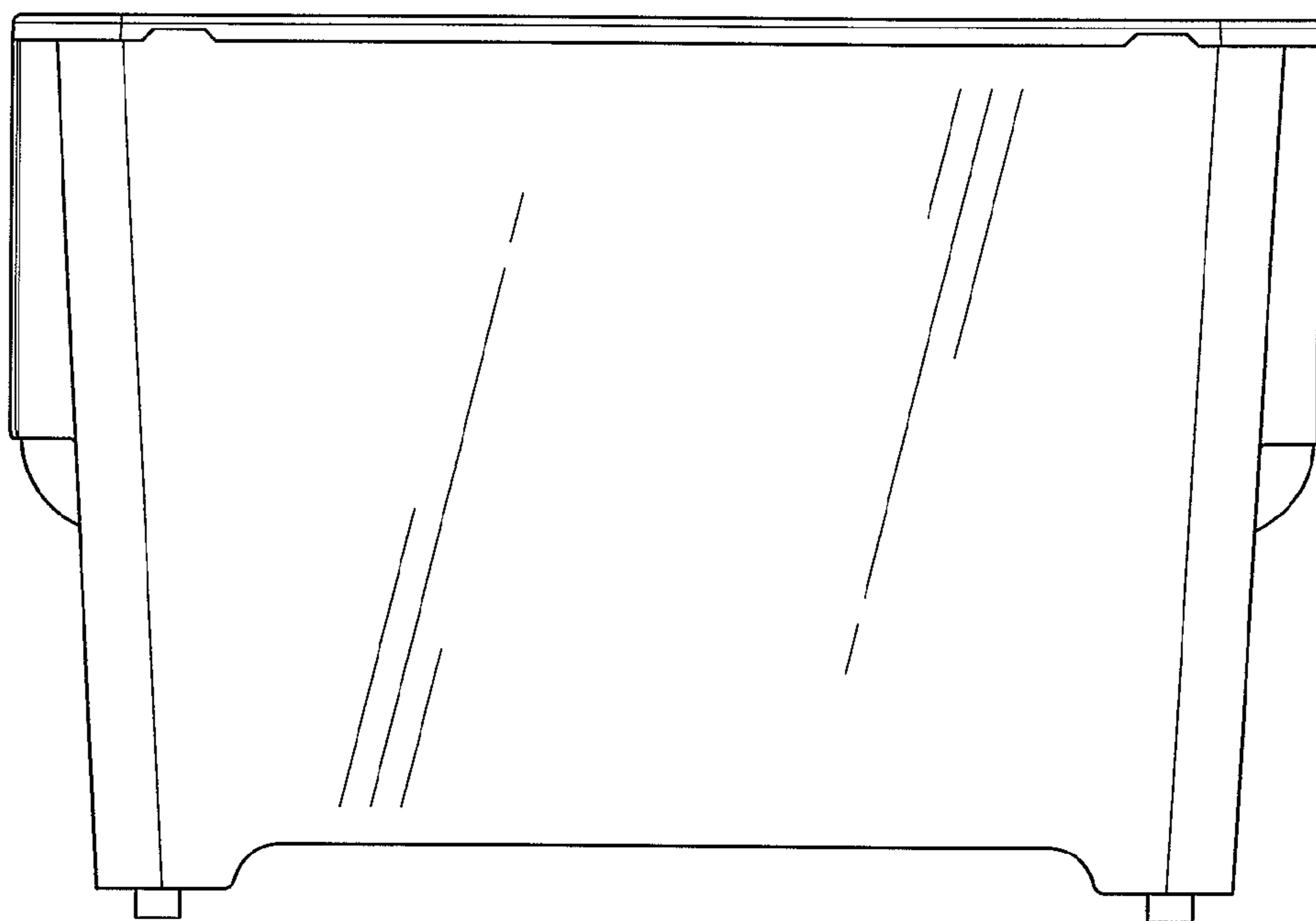


FIG. 3

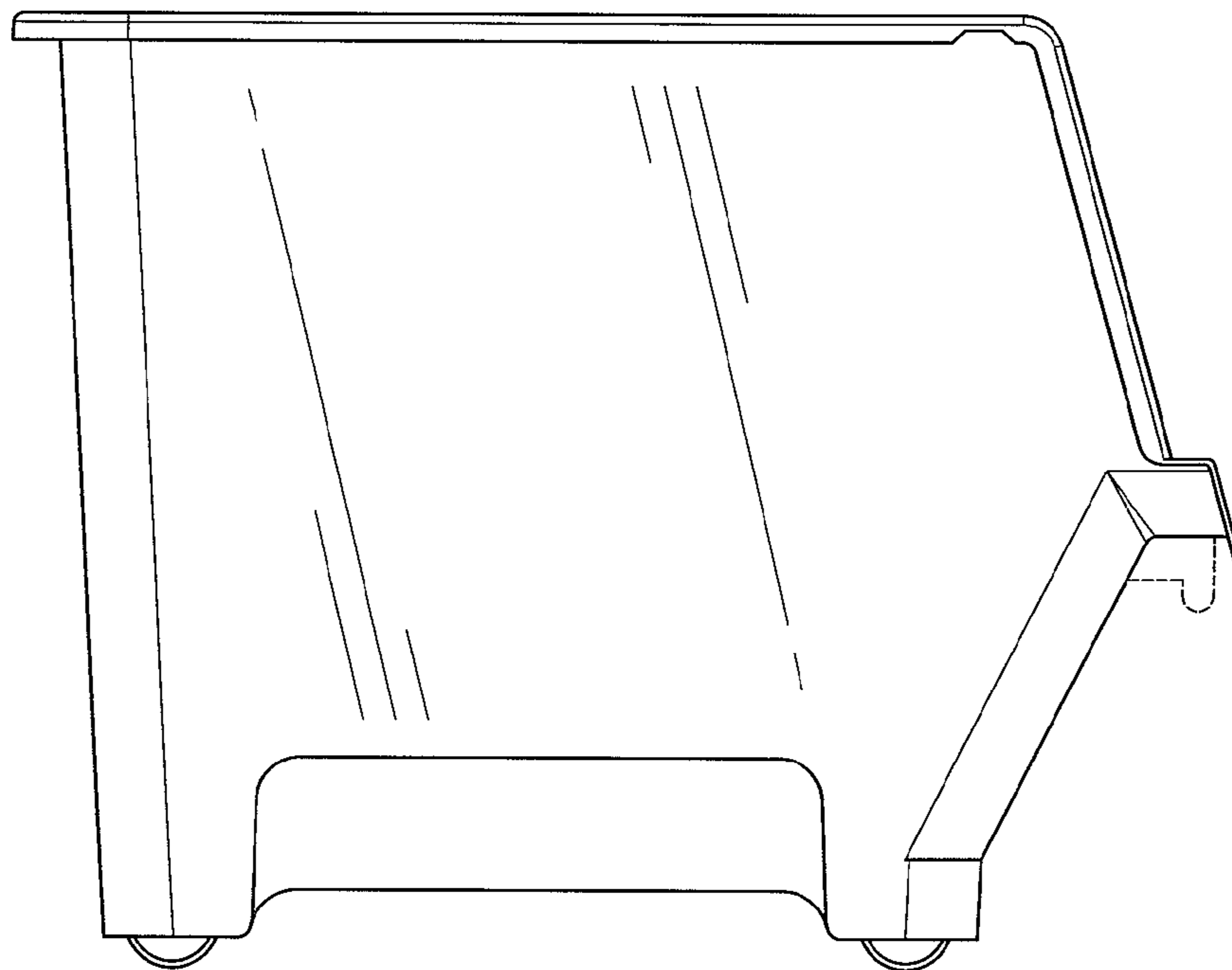


FIG. 4

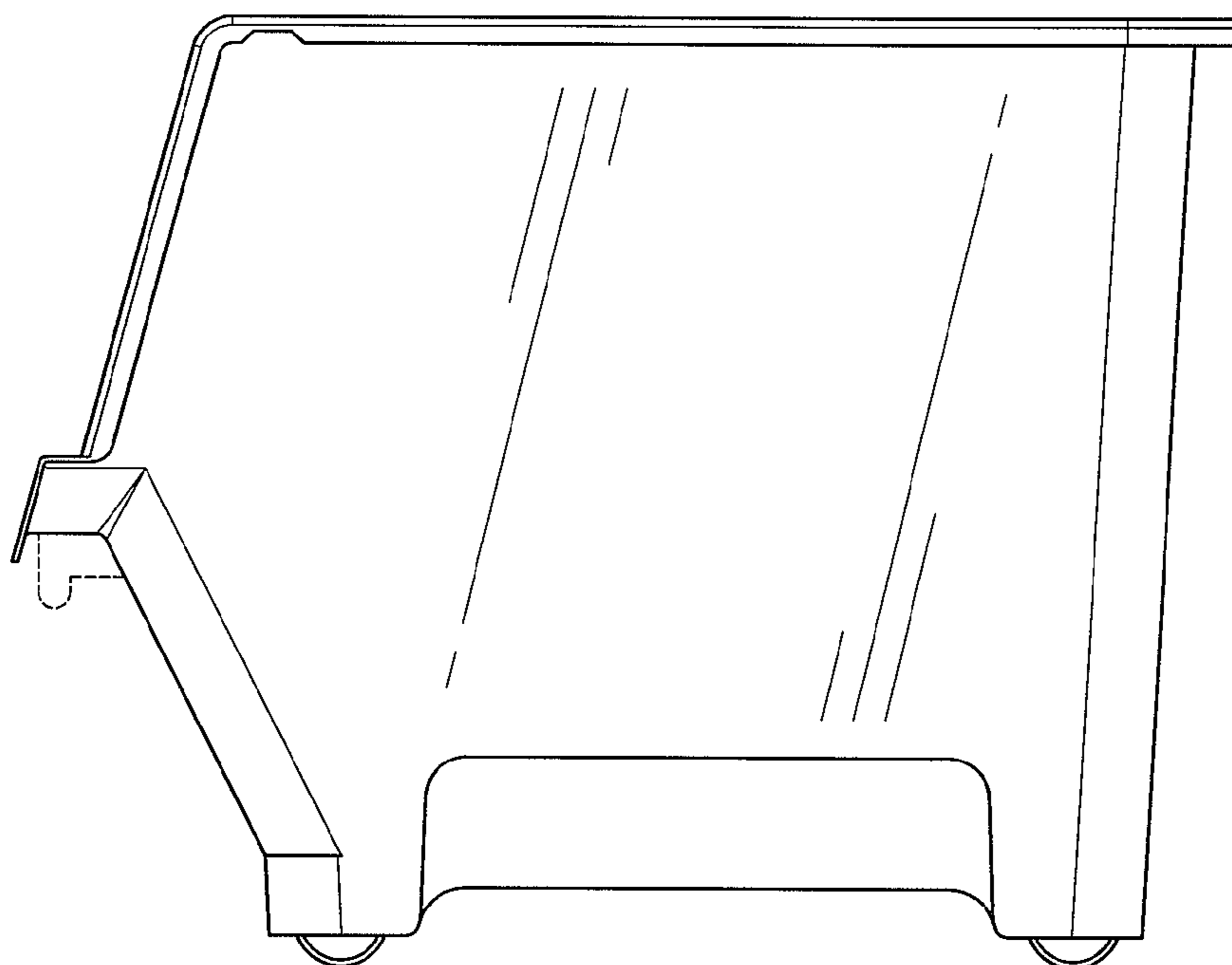


FIG. 5

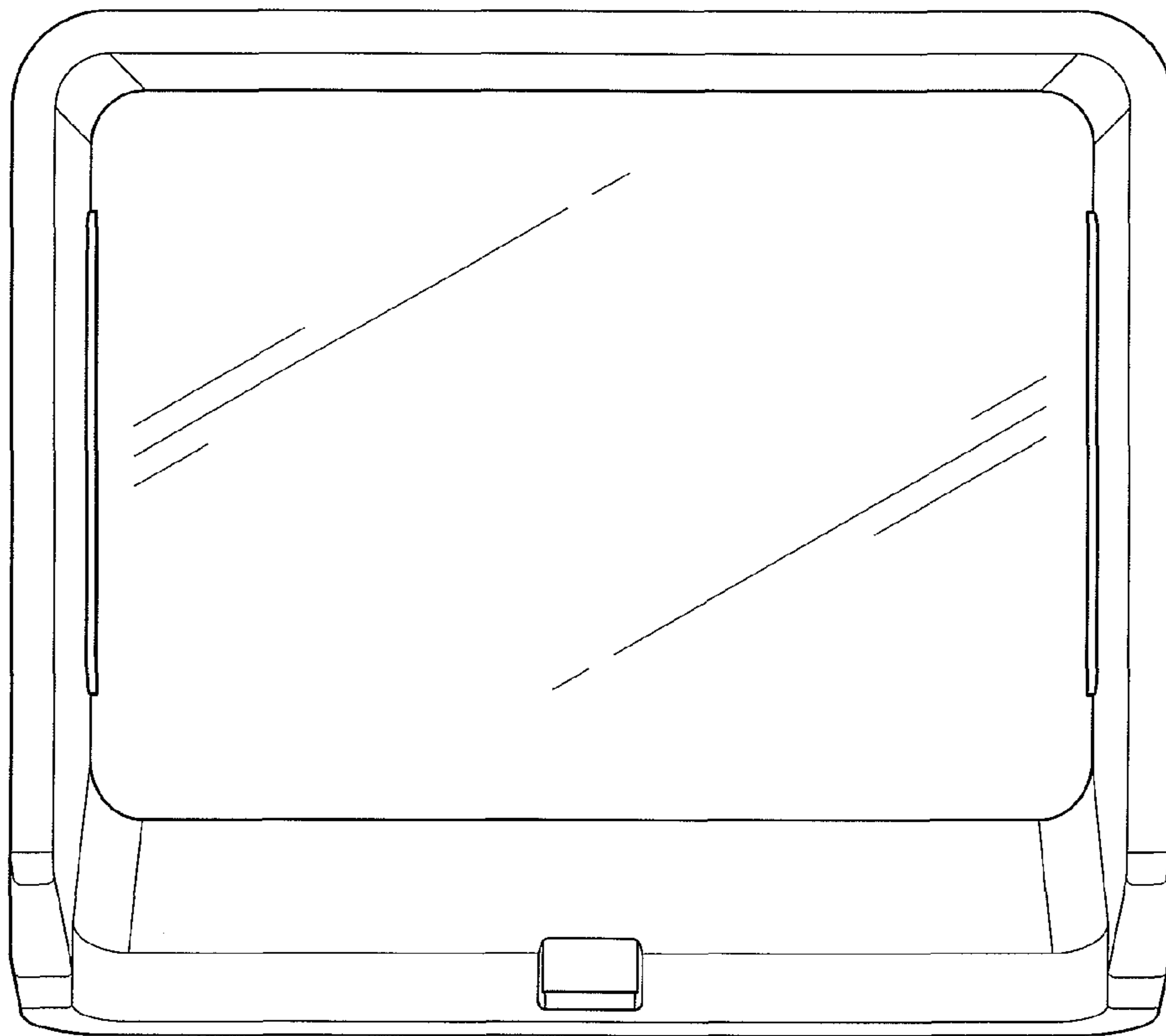


FIG. 6

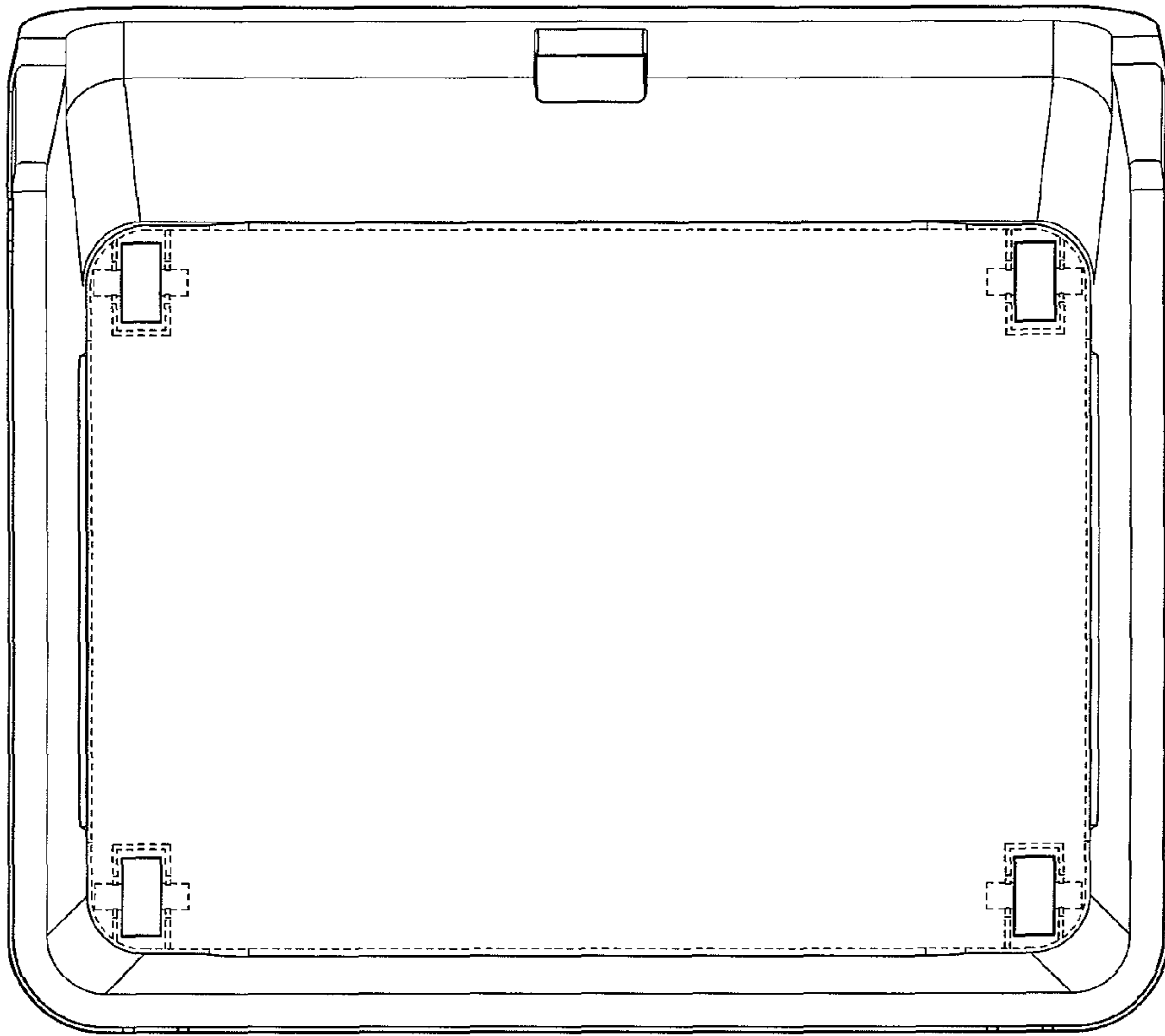


FIG. 7

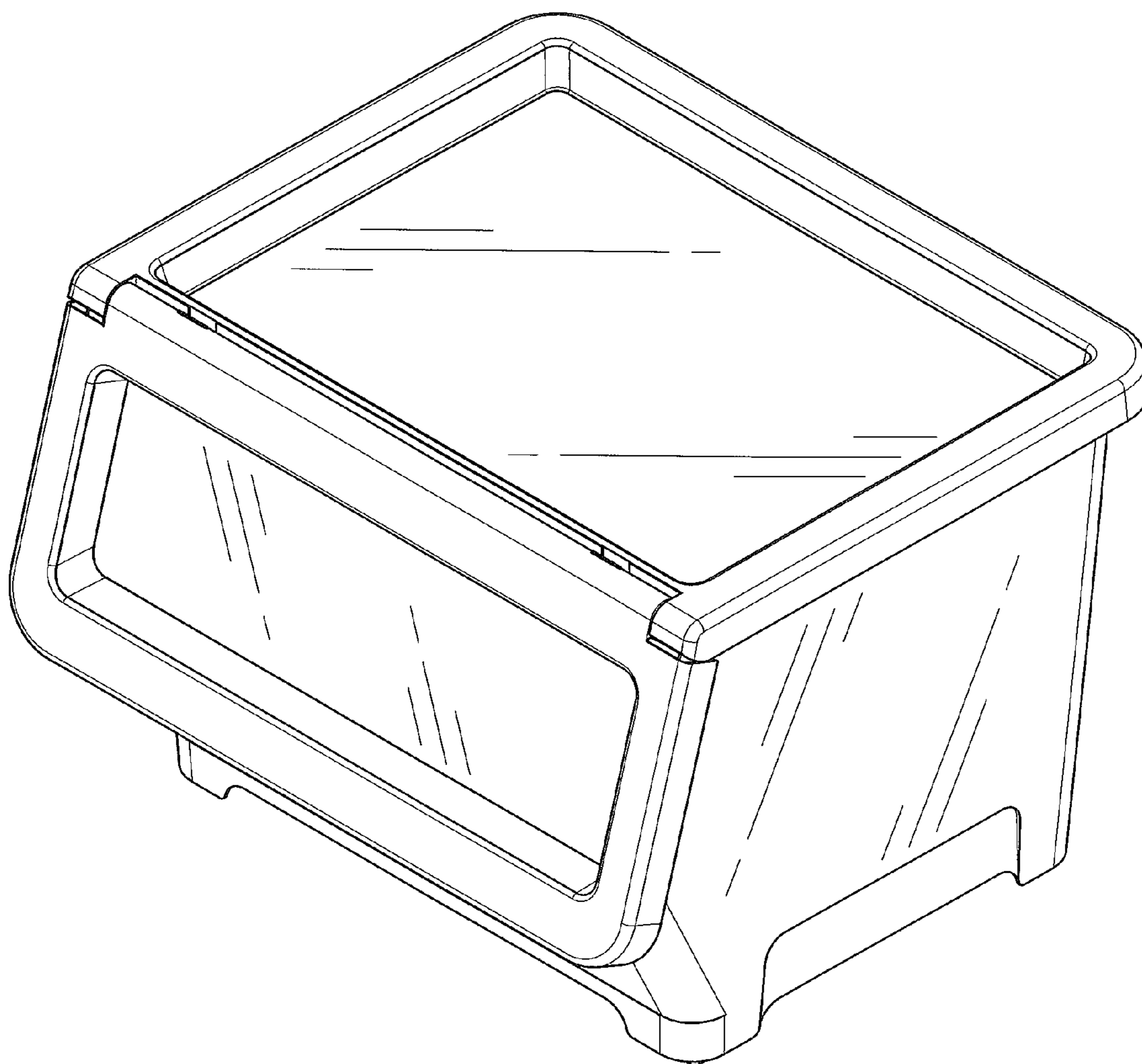


FIG. 8

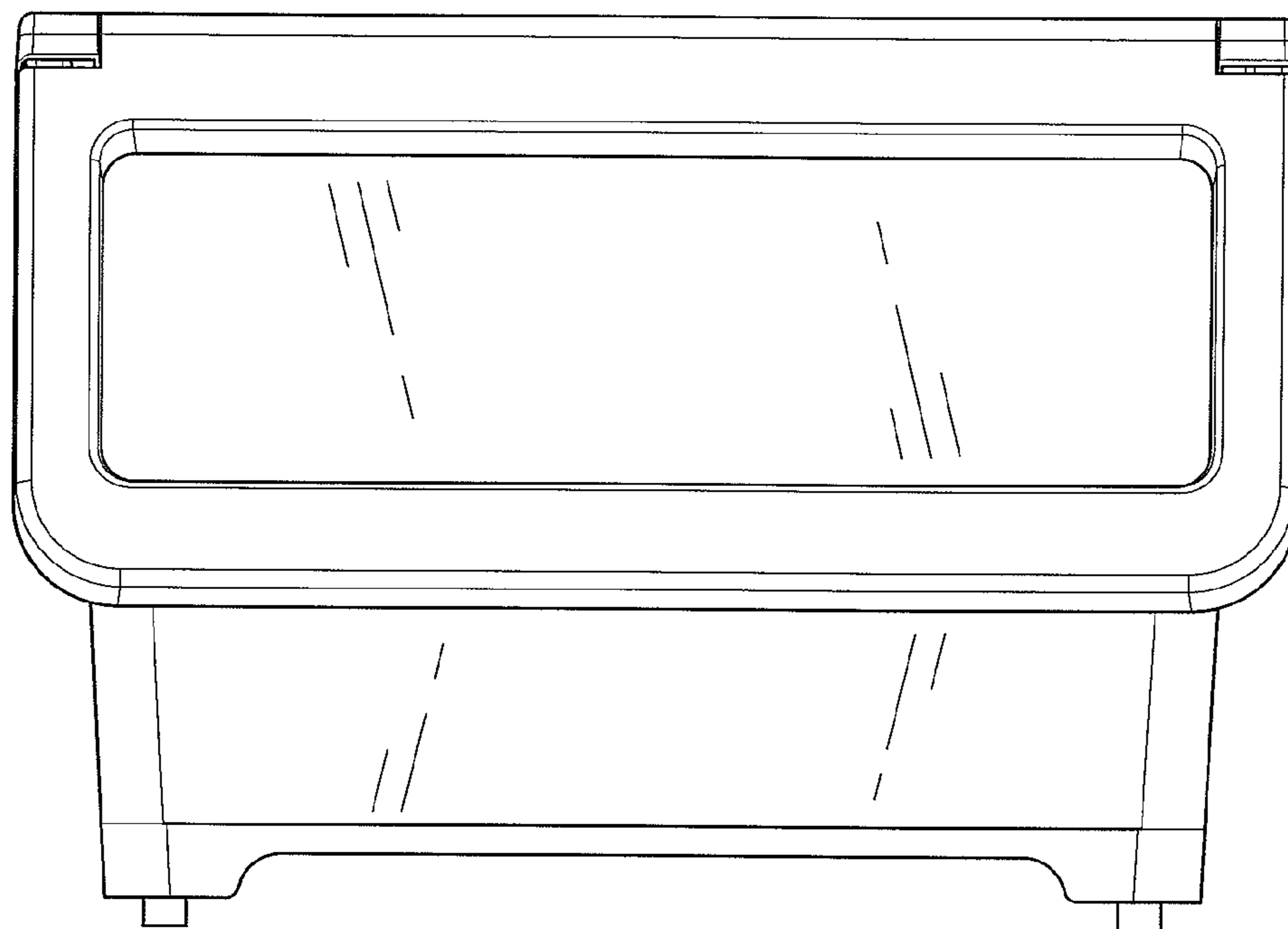


FIG. 9

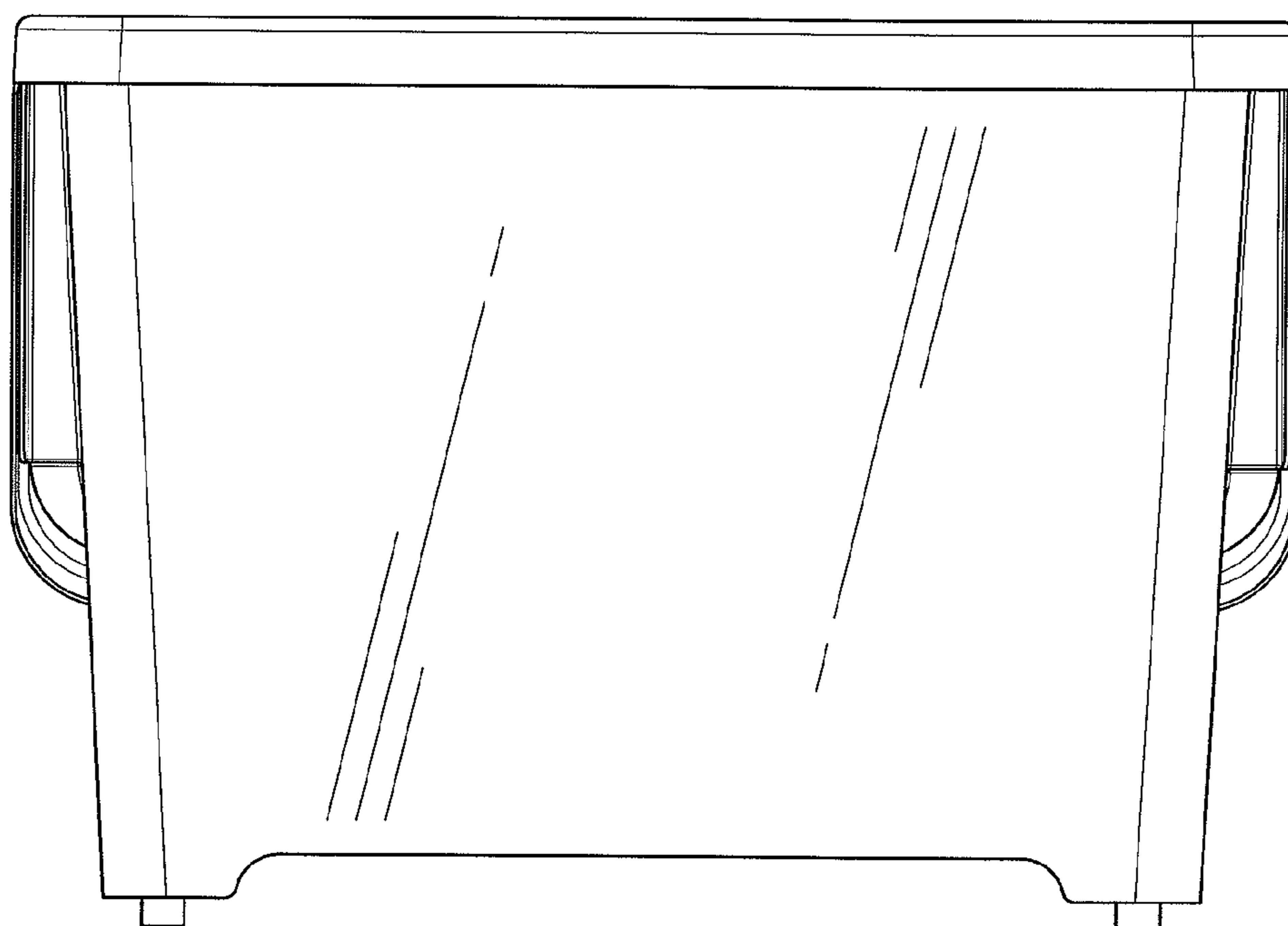


FIG. 10

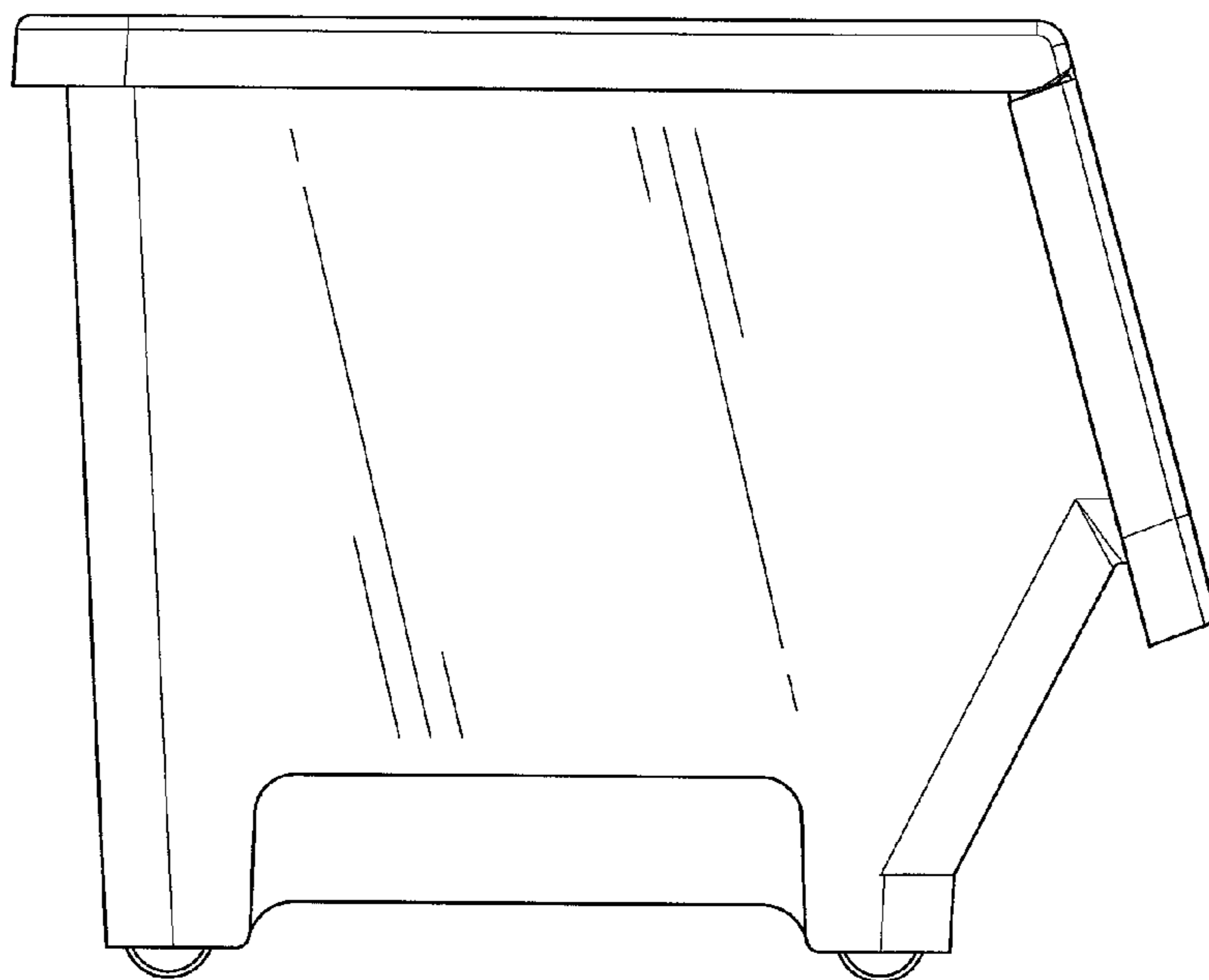


FIG. 11

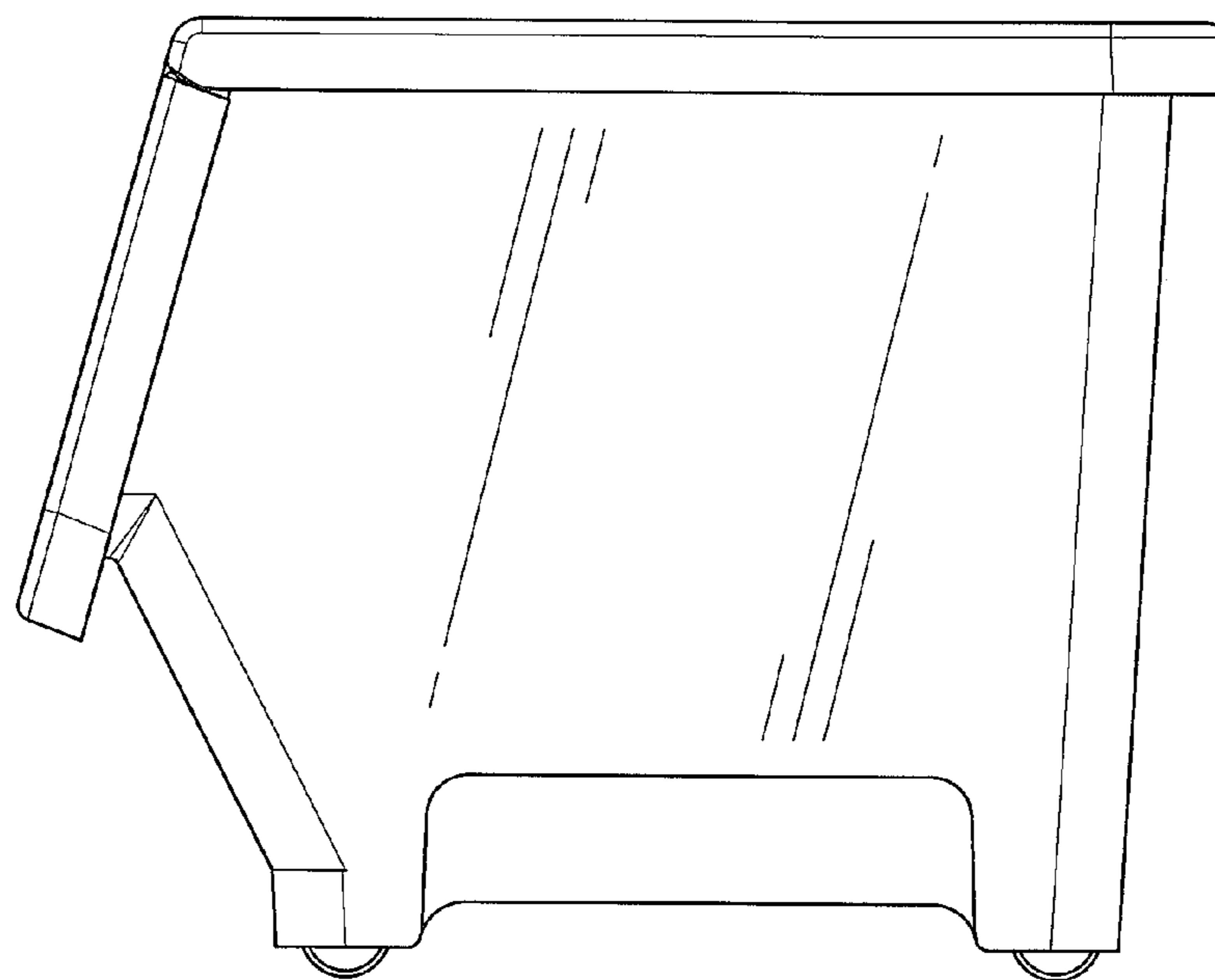


FIG. 12

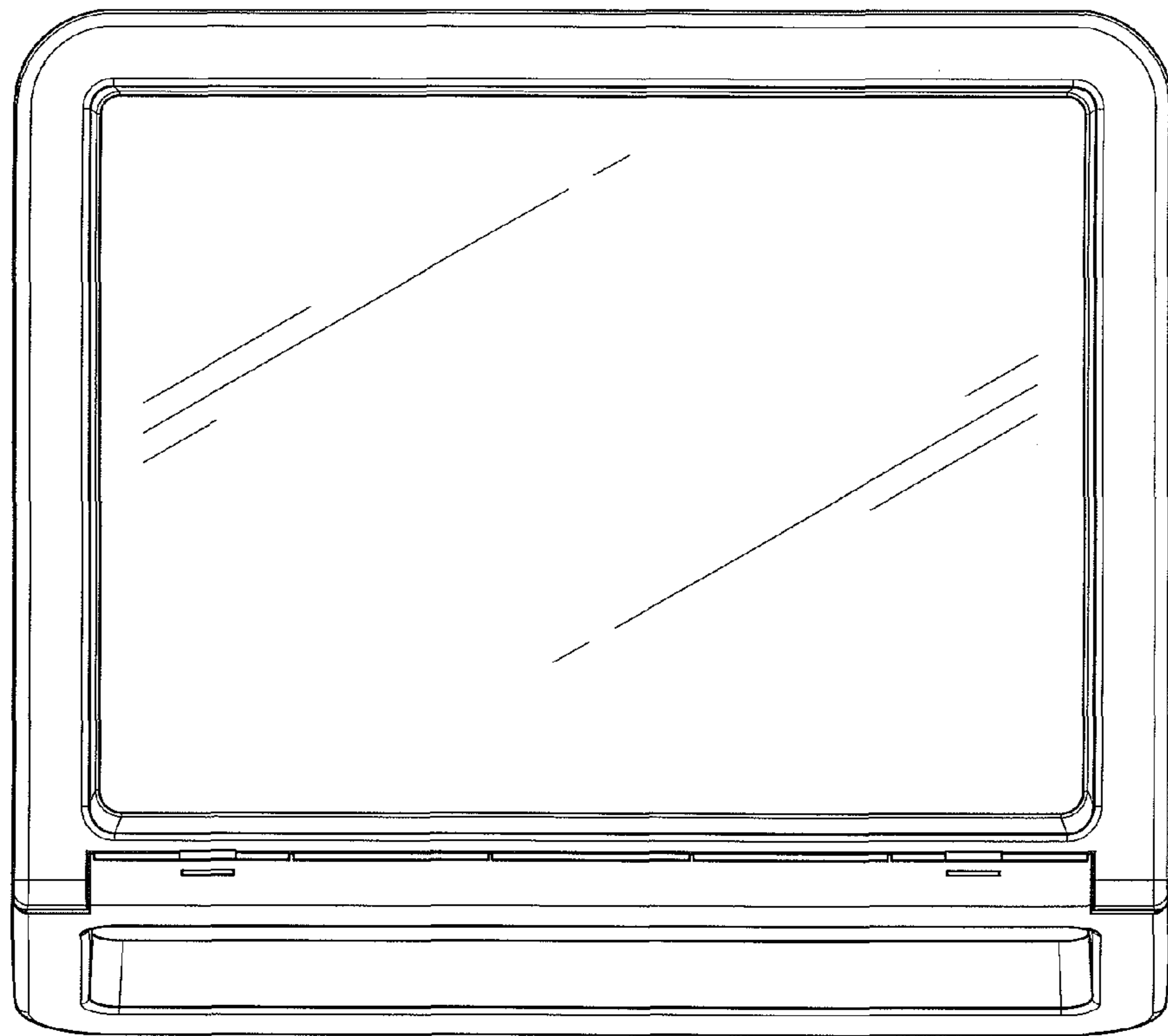


FIG. 13

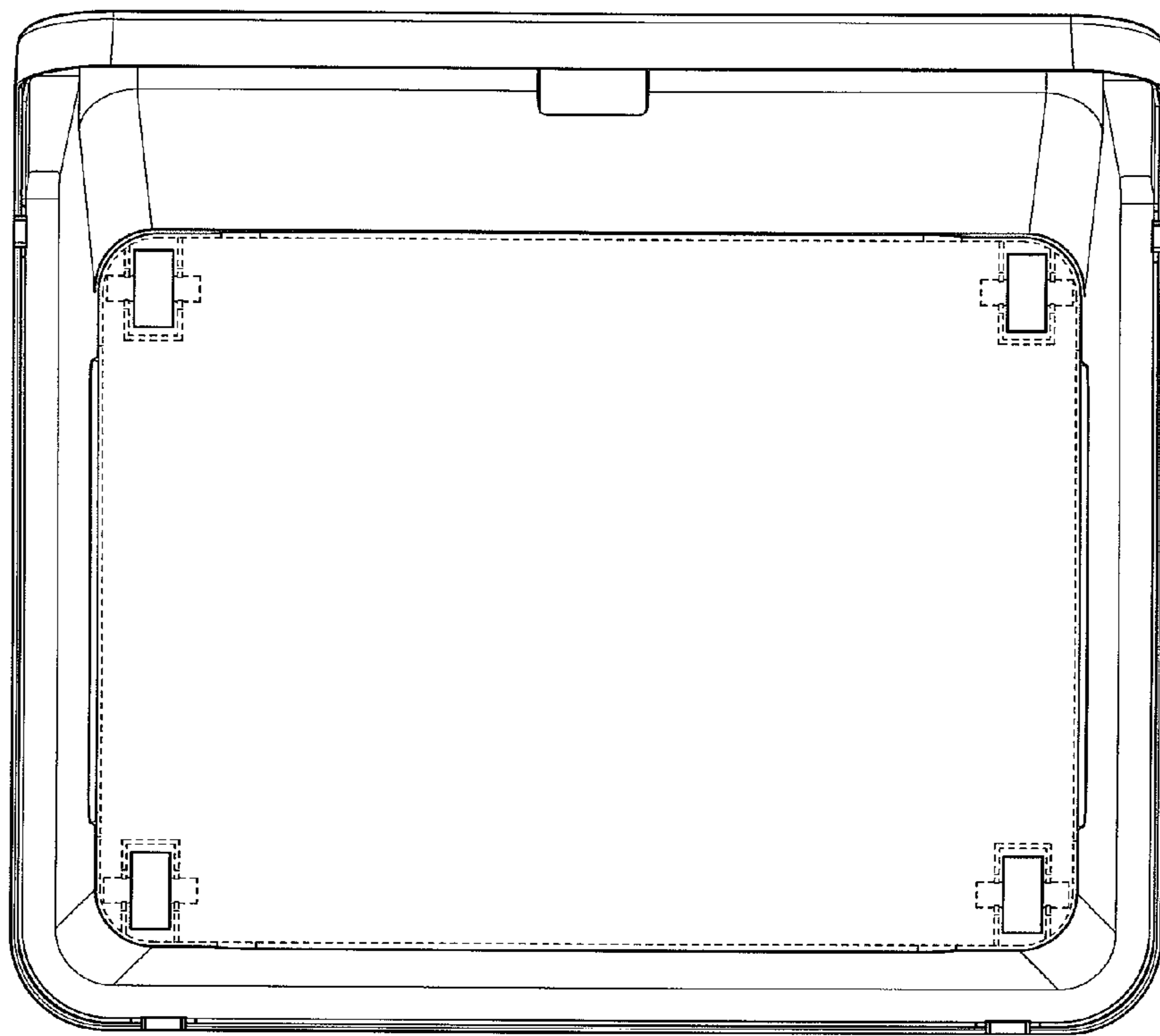


FIG. 14