



US00D731184S

(12) **United States Design Patent**
Saydar

(10) **Patent No.:** **US D731,184 S**
(45) **Date of Patent:** **** *Jun. 9, 2015**

- (54) **BOOK-SHAPED CASE**
- (71) Applicant: **Serkan Saydar**, Alpharetta, GA (US)
- (72) Inventor: **Serkan Saydar**, Alpharetta, GA (US)
- (*) Notice: This patent is subject to a terminal disclaimer.
- (**) Term: **14 Years**
- (21) Appl. No.: **29/470,021**
- (22) Filed: **Oct. 17, 2013**

Related U.S. Application Data

- (63) Continuation of application No. 29/409,259, filed on Dec. 21, 2011, now Pat. No. Des. 693,122.
- (51) **LOC (10) Cl.** **03-01**
- (52) **U.S. Cl.**
USPC **D3/294**
- (58) **Field of Classification Search**
USPC D3/201, 203.6–203.8, 205–206, 294,
D3/295, 284, 273; D9/420, 423, 432;
206/370, 570, 572; D19/26
See application file for complete search history.

(56) **References Cited**

U.S. PATENT DOCUMENTS

D247,829	S	*	5/1978	Schnitzer	D3/295
D268,714	S	*	4/1983	Goedel	D3/295
D269,853	S	*	7/1983	Springett	D9/634
D275,530	S	*	9/1984	Duckworth	D3/295
D286,938	S	*	11/1986	Povitz	D99/34
D291,744	S	*	9/1987	Cohen	D3/295
D303,764	S	*	10/1989	Kilmartin, III	D3/295
D317,977	S	*	7/1991	Felkner et al.	D3/299
D319,146	S	*	8/1991	Vittetoe	D3/249
D363,509	S	*	10/1995	Parekh et al.	D19/75
6,685,023	B2	*	2/2004	Bleggi et al.	206/493
D552,348	S	*	10/2007	Martin	D3/265
D594,658	S	*	6/2009	McAllister	D3/295

D604,511	S	*	11/2009	Lai	D3/295
D619,352	S	*	7/2010	Antler	D3/205
D628,381	S	*	12/2010	Murphy et al.	D3/274
D649,186	S	*	11/2011	Naimi	D19/26
D657,417	S	*	4/2012	Naimi	D19/26
D693,122	S	*	11/2013	Saydar	D3/294
2003/0230888	A1	*	12/2003	Grummich	281/29

* cited by examiner

Primary Examiner — Sheryl Lane

(74) *Attorney, Agent, or Firm* — Minh N. Nguyen; Next IP Law Group LLP

(57) **CLAIM**

The ornamental design for a book-shaped case, as shown and described.

DESCRIPTION

FIG. 1 is a perspective view showing the front, right side and bottom views of my new book-shaped case showing my new design; the broken line can be represented as threaded stitches and are included for the purpose of illustrating use and environment and forms not part of the claims;

FIG. 2 is a perspective view showing the back, right side and top views thereof;

FIG. 3 is an inside view in which the book-shaped case is opened, the dotted area indicates a soft-cushion material, such as foam;

FIG. 4 is another inside view in which one of the soft-cushion materials is removed showing the inner walls of the book-shaped case;

FIG. 5 is a back elevation view thereof;

FIG. 6 is a front elevation view thereof;

FIG. 7 is a right side elevation view thereof;

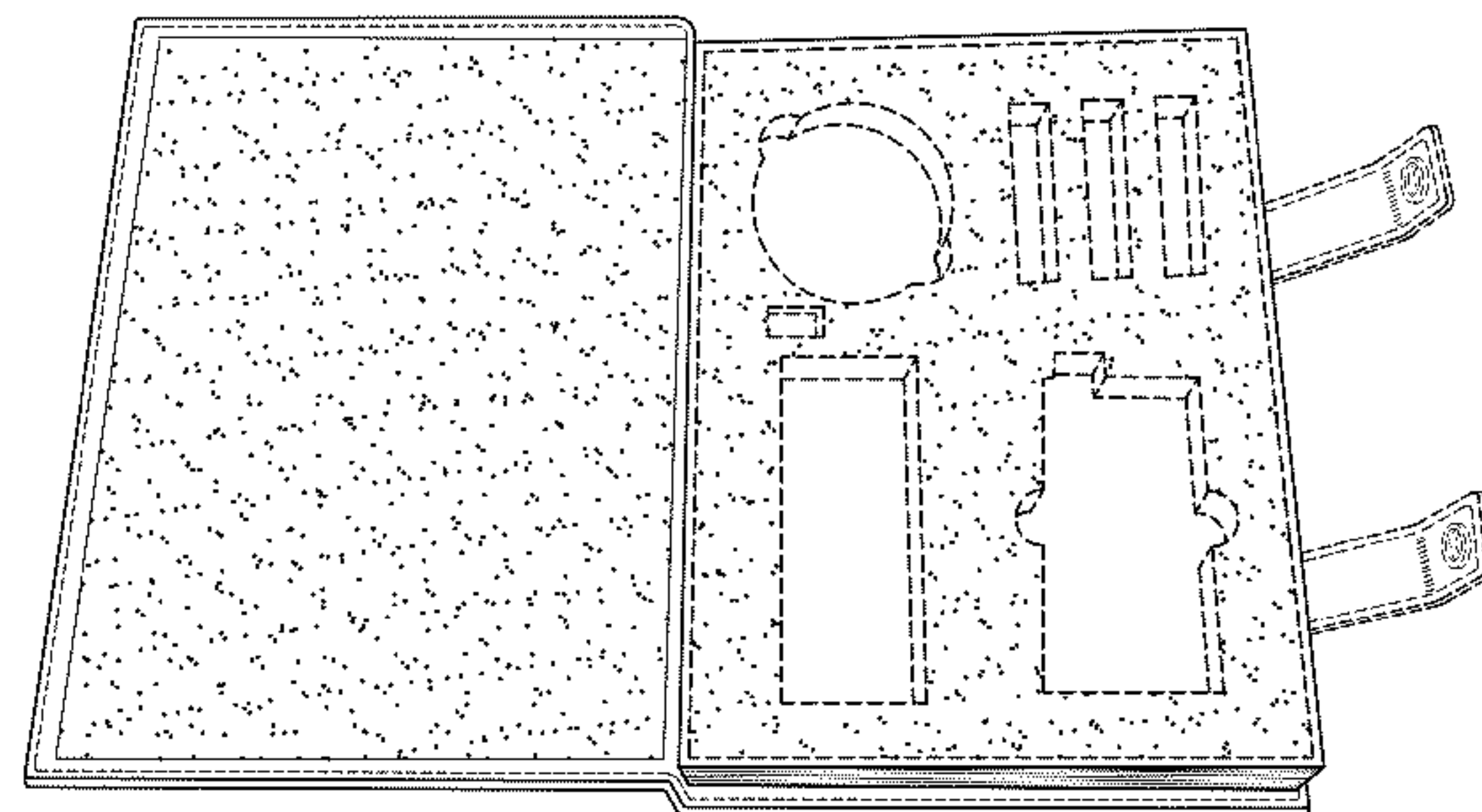
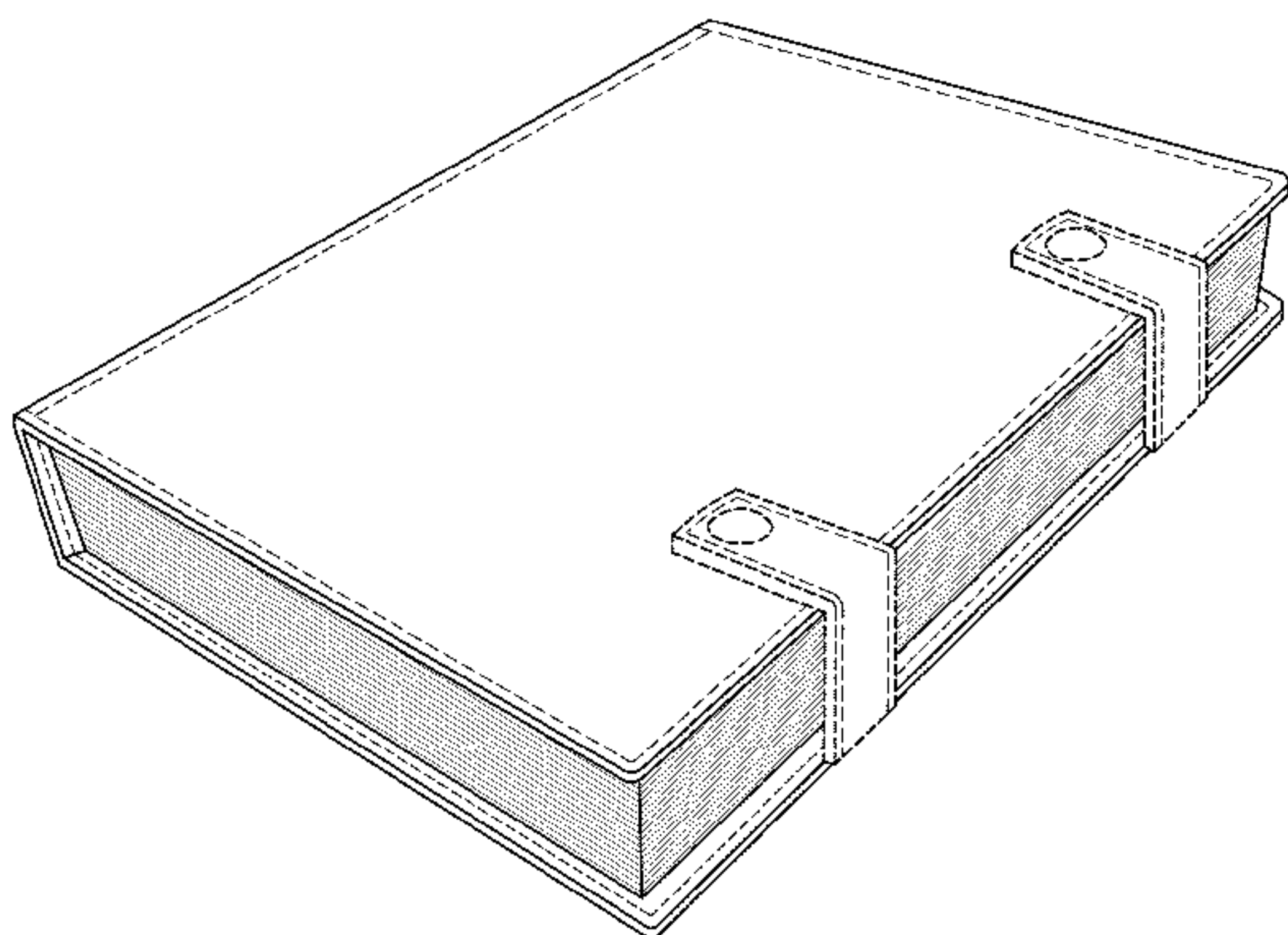
FIG. 8 is a left side elevation view thereof;

FIG. 9 is a bottom plan view thereof; and,

FIG. 10 is a top plan view thereof.

The broken lines represent stitching and form no part of the claimed design.

1 Claim, 4 Drawing Sheets



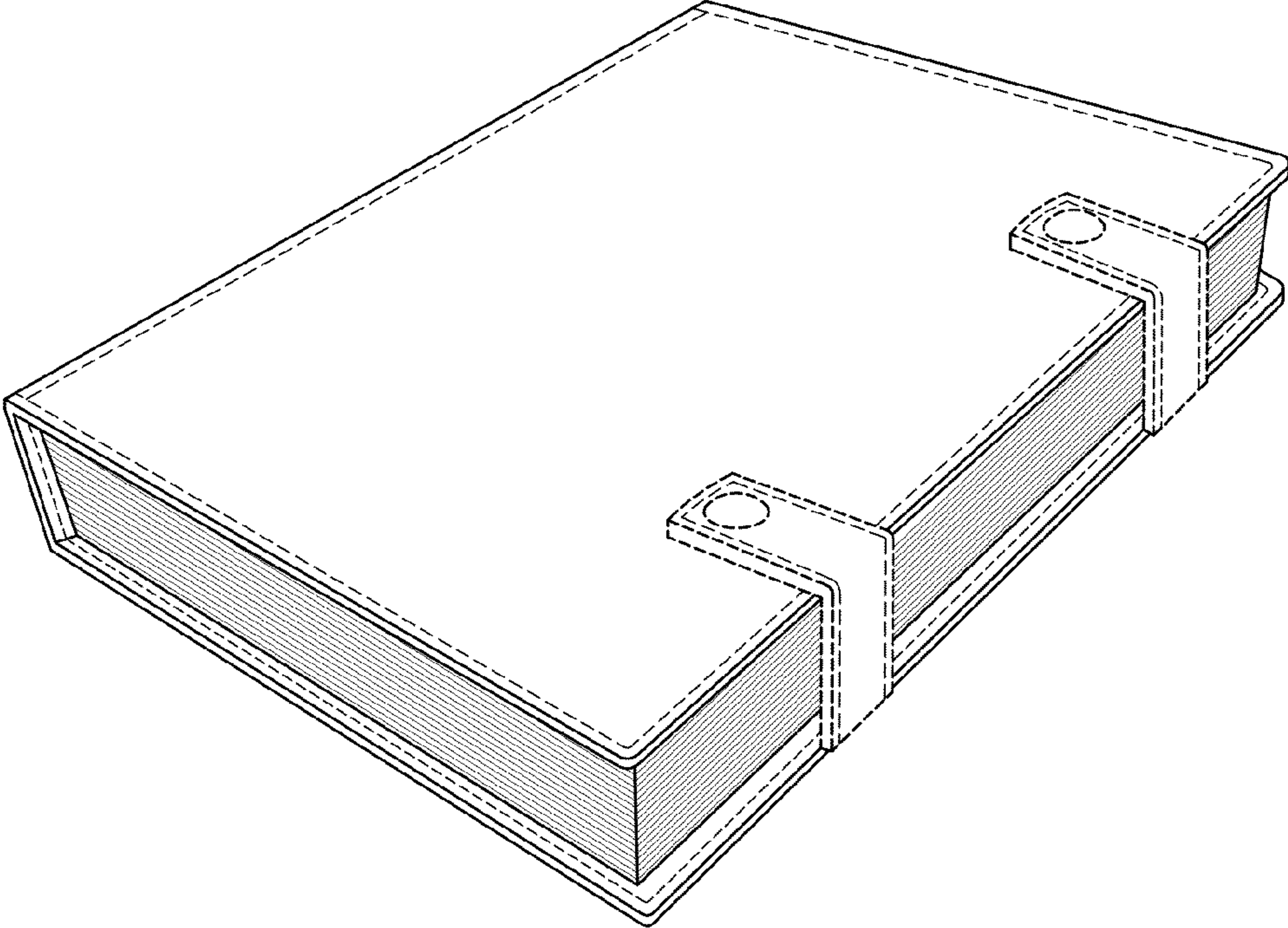


FIG. 1

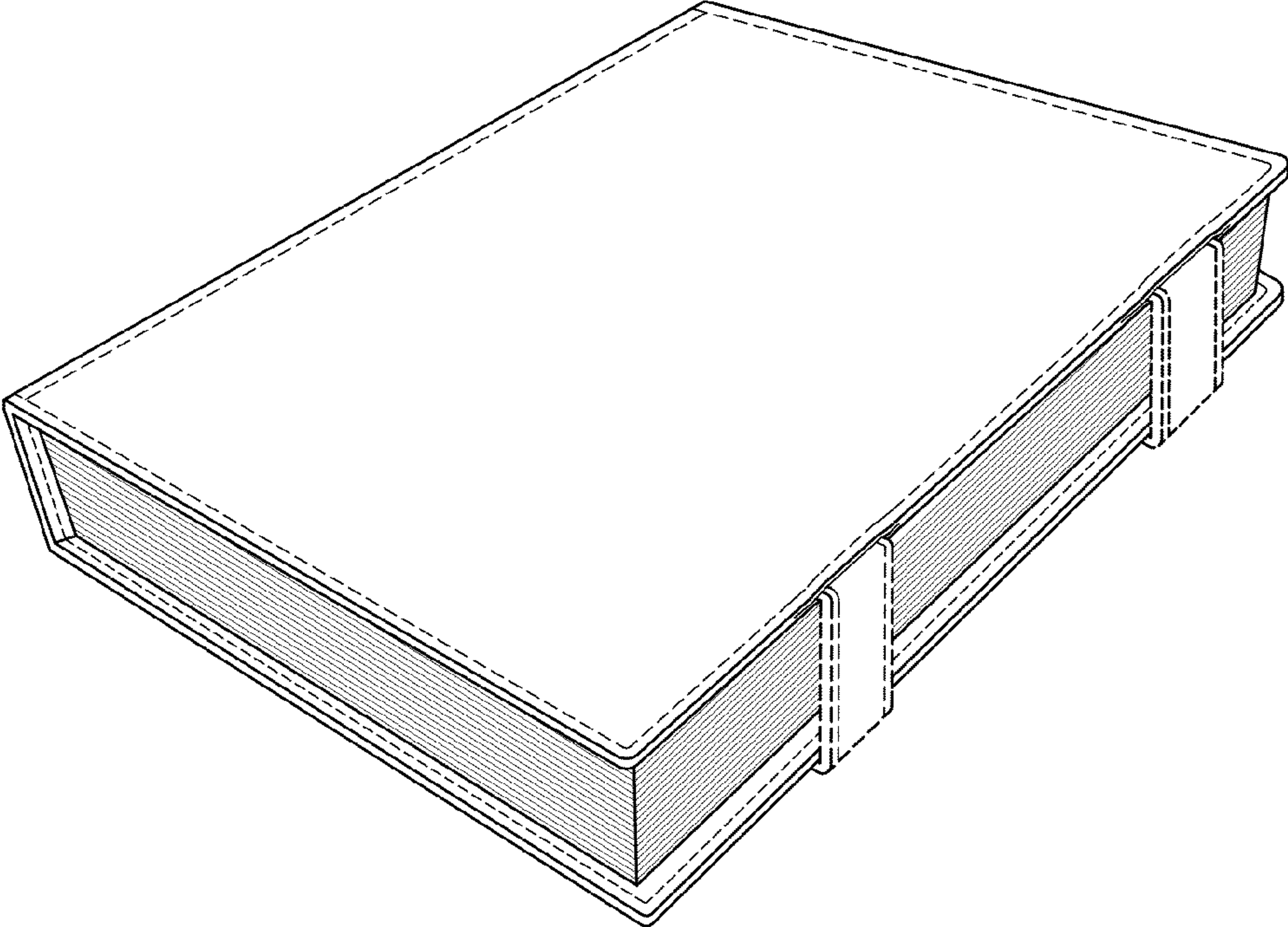


FIG. 2

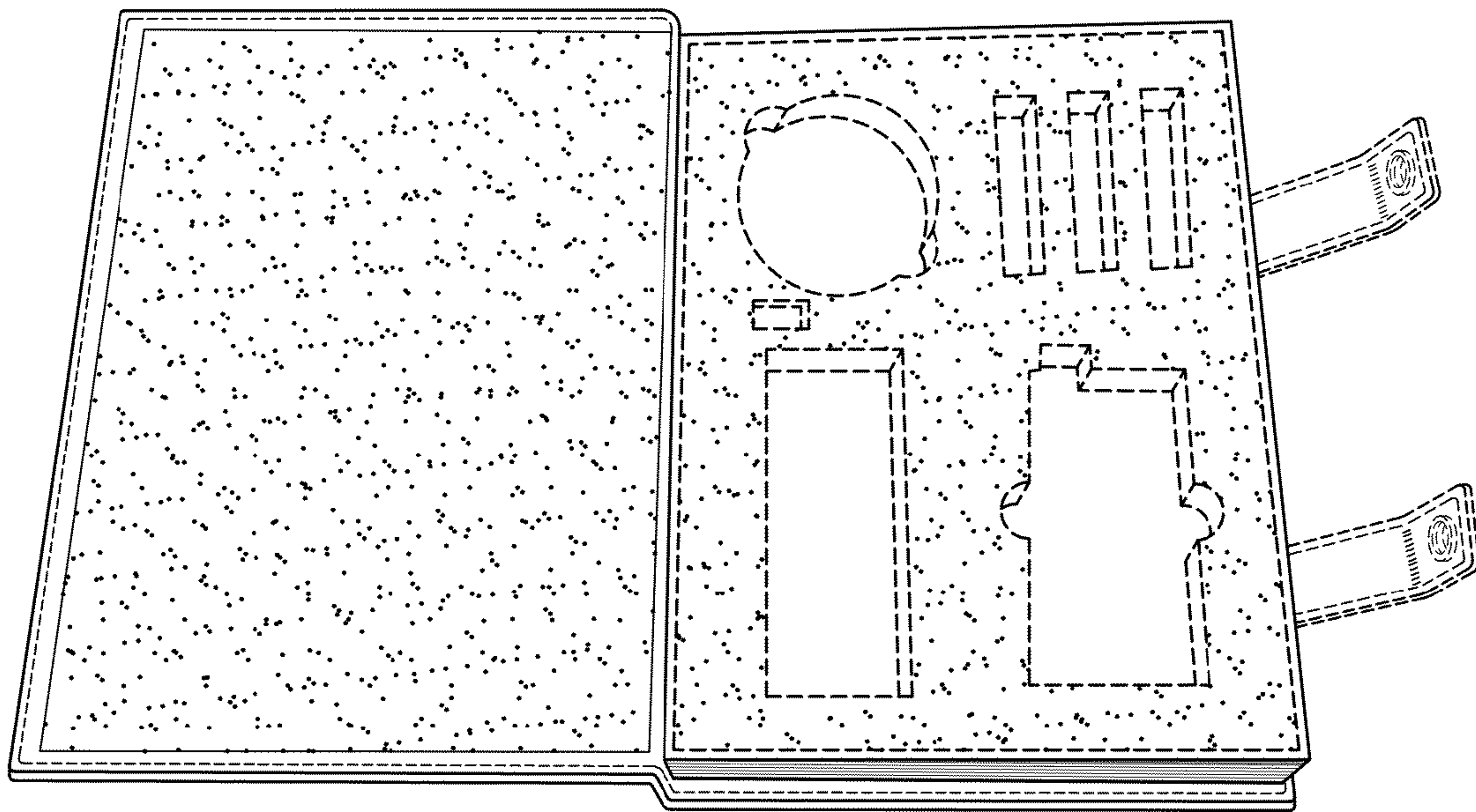


FIG. 3

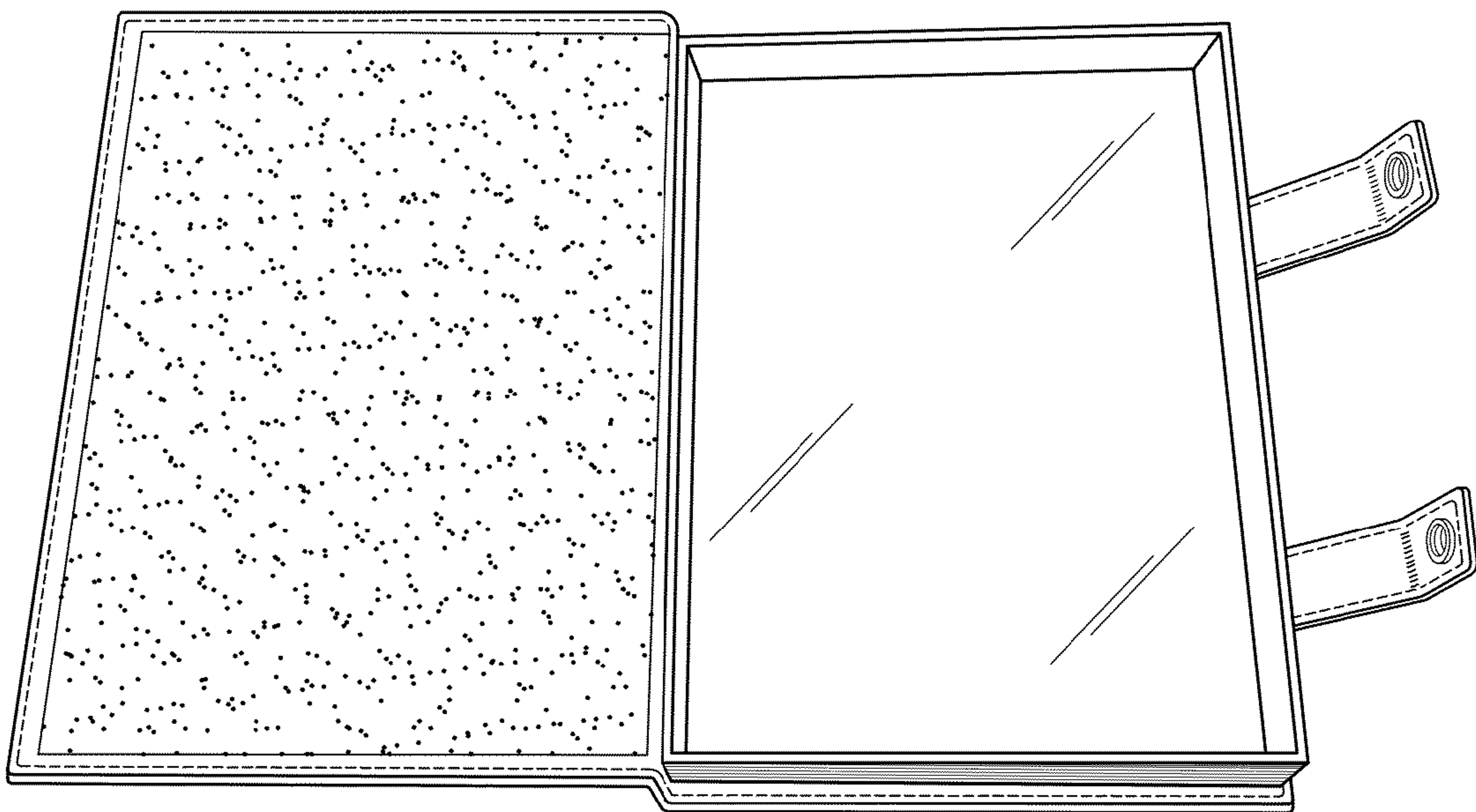


FIG. 4

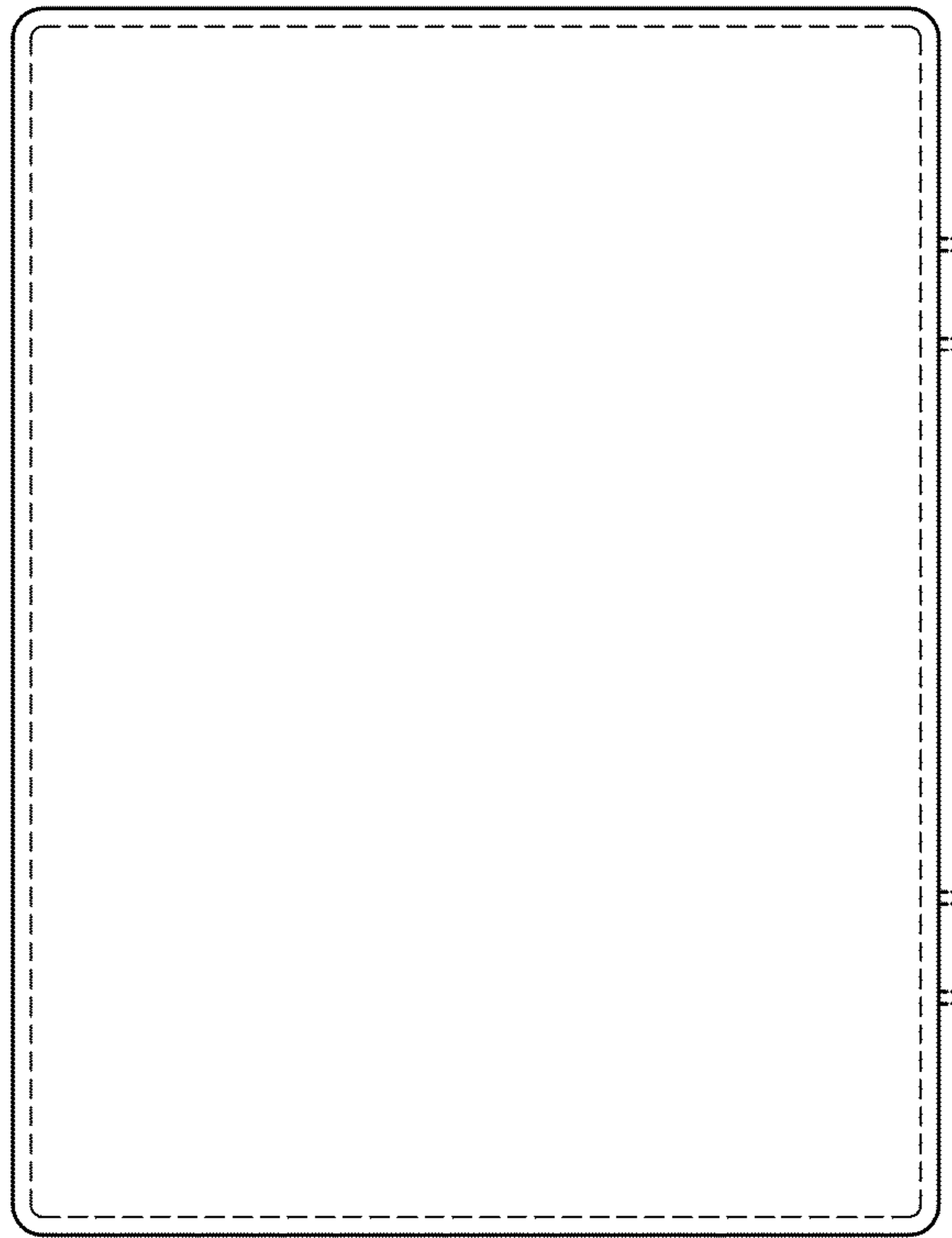


FIG. 5

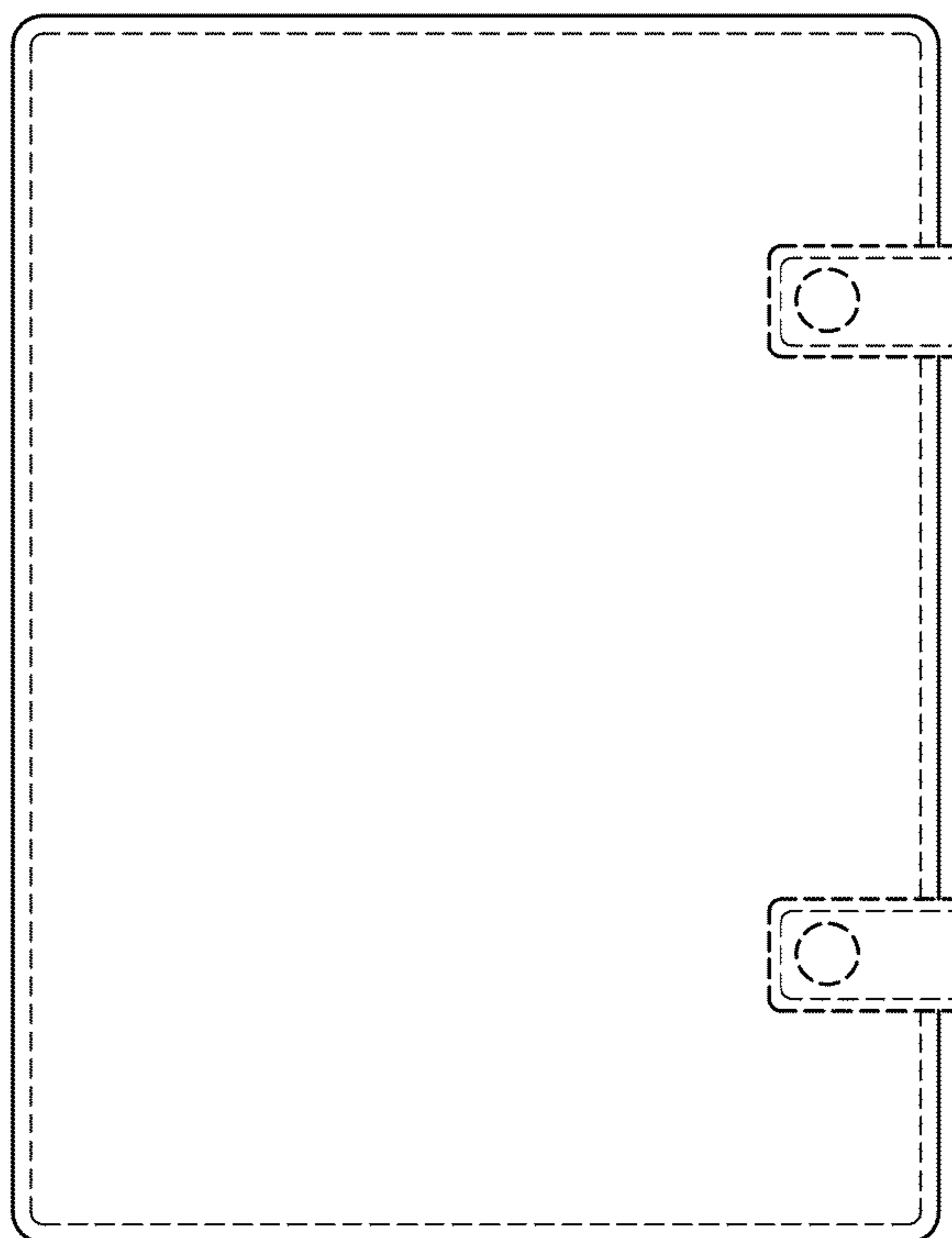


FIG. 6

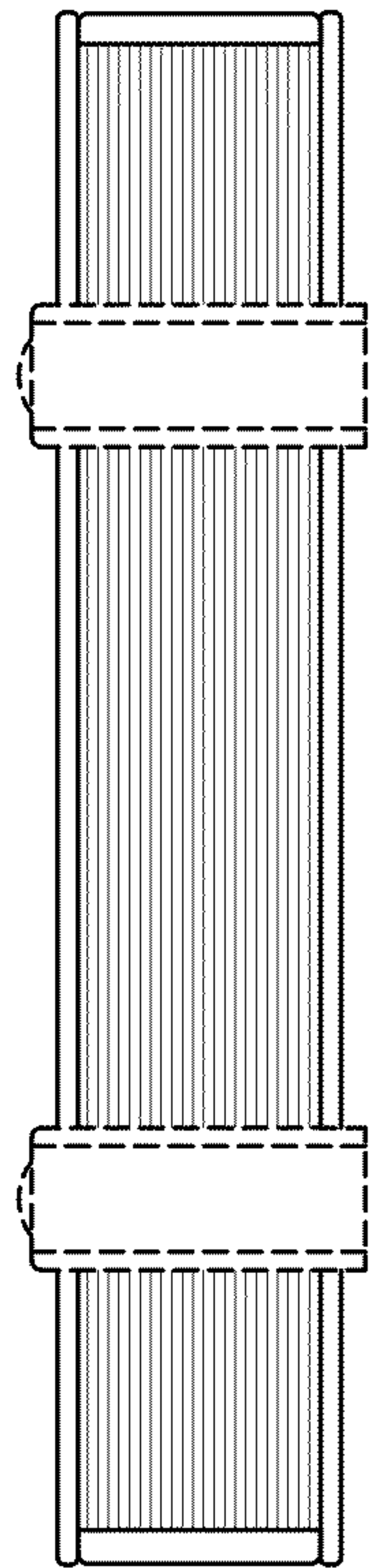


FIG. 7

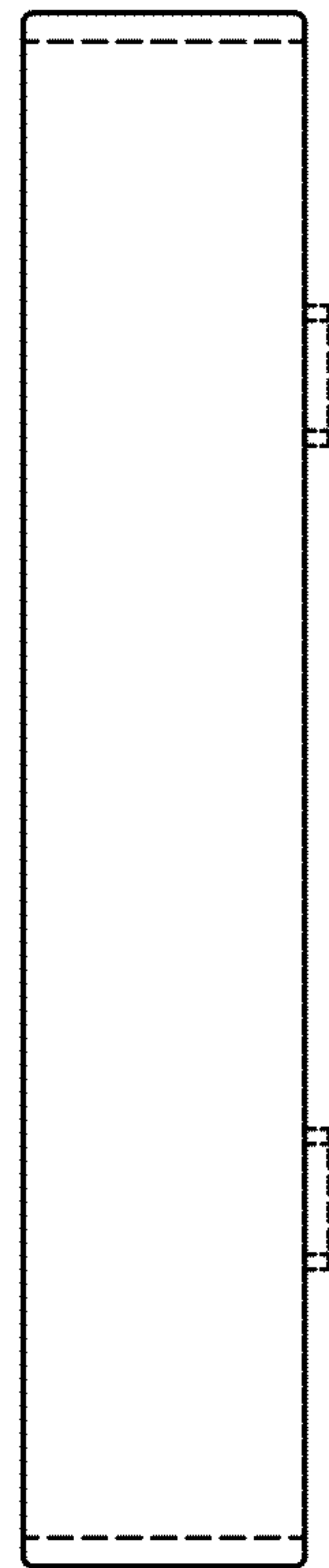


FIG. 8

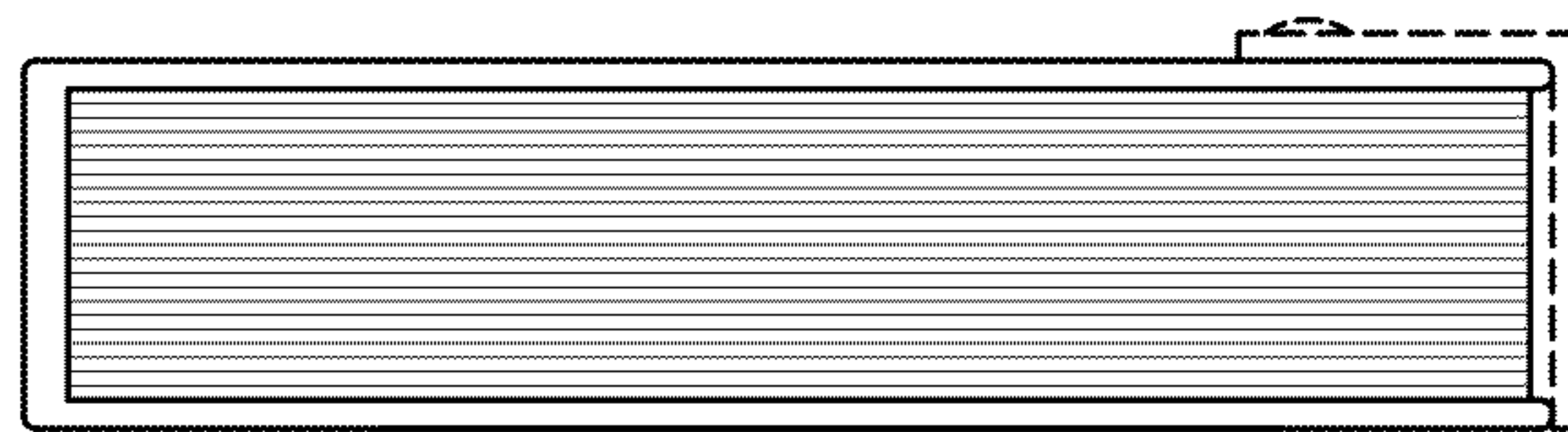


FIG. 9

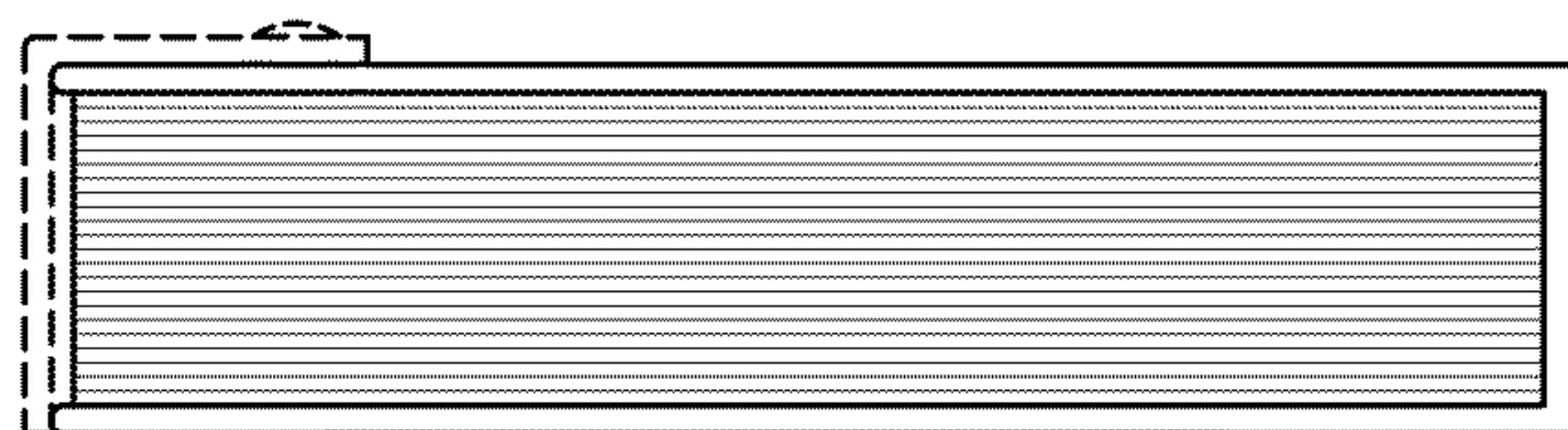


FIG. 10