

US00D731183S

(12) **United States Design Patent**
Kuhls

(10) **Patent No.:** **US D731,183 S**
(45) **Date of Patent:** **** Jun. 9, 2015**

- (54) **STORAGE BOX**
- (71) Applicant: **TTS Tooltechnic Systems AG & Co. KG, Wendlingen (DE)**
- (72) Inventor: **Timo Kuhls, Stuttgart (DE)**
- (73) Assignee: **TTS TOOLTECHNIC SYSTEM AG & CO. KG, Wendlingen (DE)**
- (**) Term: **14 Years**
- (21) Appl. No.: **29/478,236**
- (22) Filed: **Jan. 2, 2014**
- (30) **Foreign Application Priority Data**

Jul. 5, 2013 (WO) 748519201

- (51) **LOC (10) Cl.** **03-01**
- (52) **U.S. Cl.**
USPC **D3/282; D3/905**
- (58) **Field of Classification Search**
USPC D3/276, 279, 281, 282, 283, 284, 291,
D3/294, 295, 297, 298, 901, 905, 288, 292,
D3/273, 302; 206/372-379; 220/523-528
CPC . B25H 3/02-3/028; B25H 3/00; B25H 3/003;
B25H 3/006
See application file for complete search history.

(56) **References Cited**

U.S. PATENT DOCUMENTS

- 4,643,494 A * 2/1987 Marleau 312/111
- D313,502 S * 1/1991 Vasky D3/284
- D356,256 S * 3/1995 Romanoff D3/282
- D440,401 S * 4/2001 Pauser et al. D3/276
- 7,108,131 B2 * 9/2006 Dreher et al. 206/349

- D627,967 S * 11/2010 Kuhls D3/273
- D668,867 S * 10/2012 Yamamot D3/281
- D668,869 S * 10/2012 Yamamoto et al. D3/281
- D701,697 S * 4/2014 Sabbag et al. D3/281
- D704,442 S * 5/2014 Chen D3/294
- 2011/0121695 A1 * 5/2011 Purdy 312/222
- 2014/0262885 A1 * 9/2014 Green et al. 206/372

FOREIGN PATENT DOCUMENTS

- WO WO200US42669 * 9/2001
- WO DM/076487 7/2011
- WO DM/078168 3/2012

* cited by examiner

Primary Examiner — Jennifer Rivard
Assistant Examiner — April Rivas
(74) *Attorney, Agent, or Firm* — Hoffmann & Baron, LLP

(57) **CLAIM**

The ornamental design for a storage box, as shown and described.

DESCRIPTION

FIG. 1 is a top perspective view of a storage box showing my new design;
FIG. 2 is a front view thereof;
FIG. 3 is a rear view thereof;
FIG. 4 is a left view thereof;
FIG. 5 is a right view thereof;
FIG. 6 is a top plan view thereof; and,
FIG. 7 is a bottom plan view thereof.
The broken lines in FIG. 7 are included for the purpose of illustrating portions of the storage box that form no part of the claimed design.

1 Claim, 7 Drawing Sheets

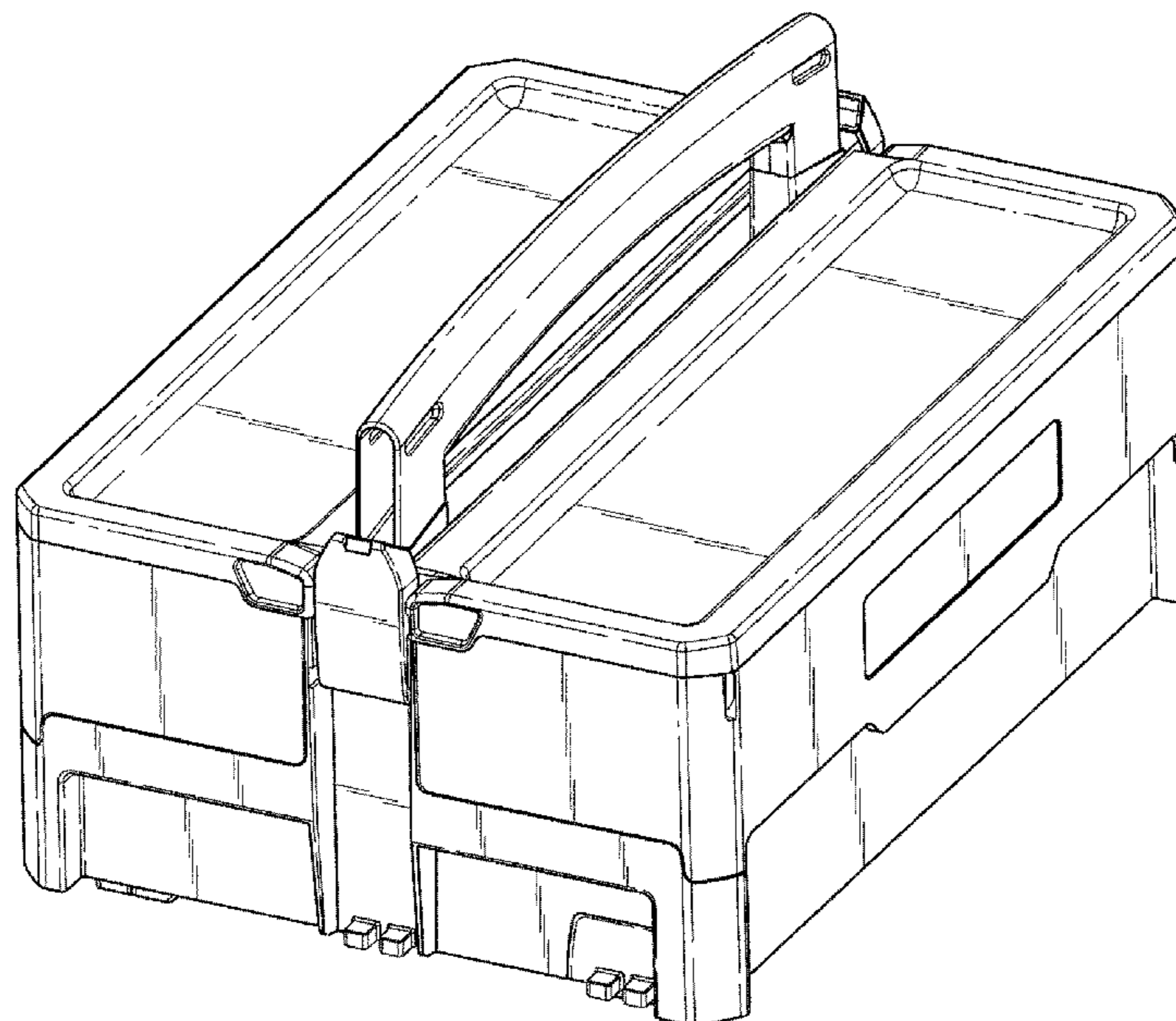


Fig. 1

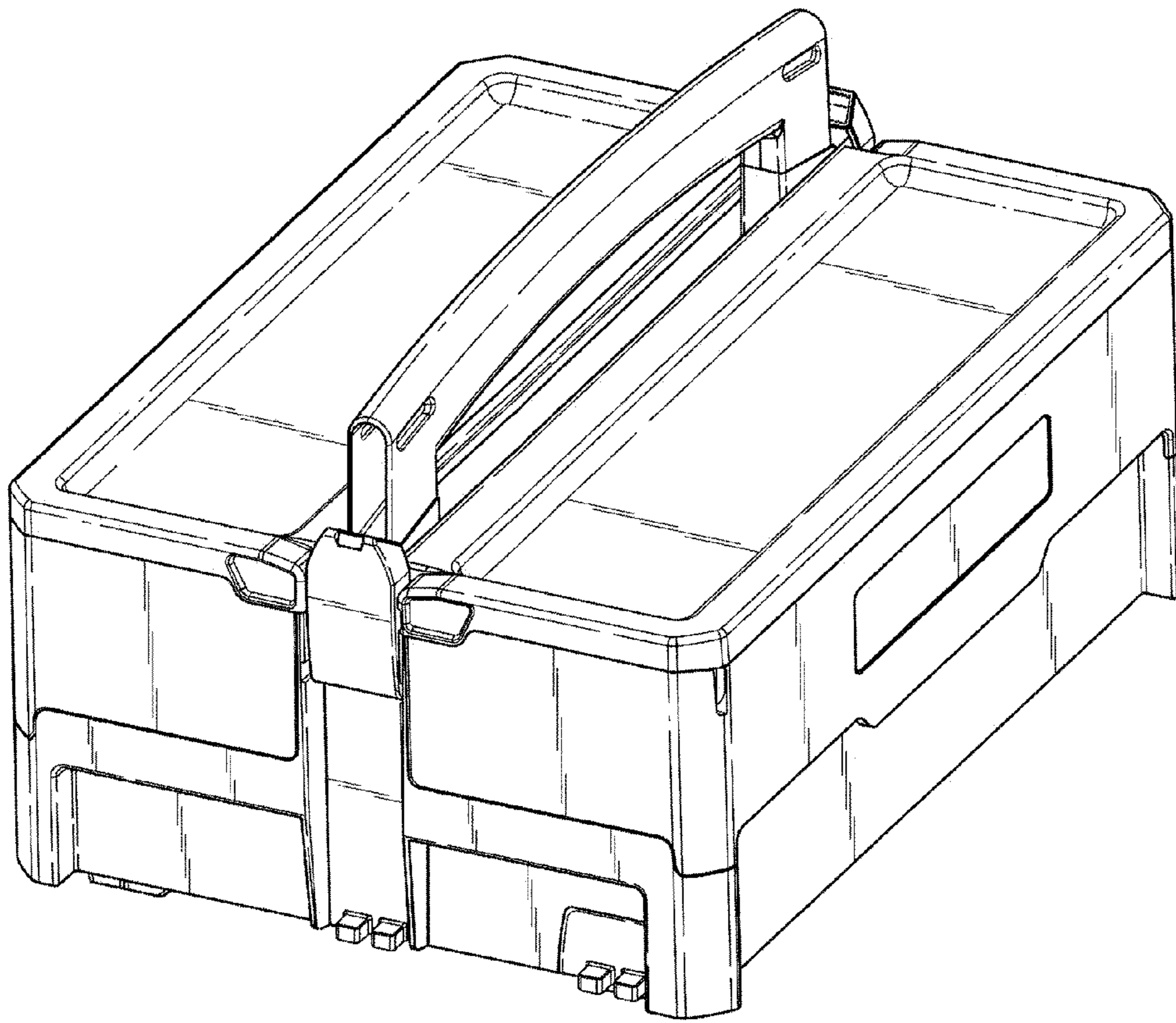


Fig. 2

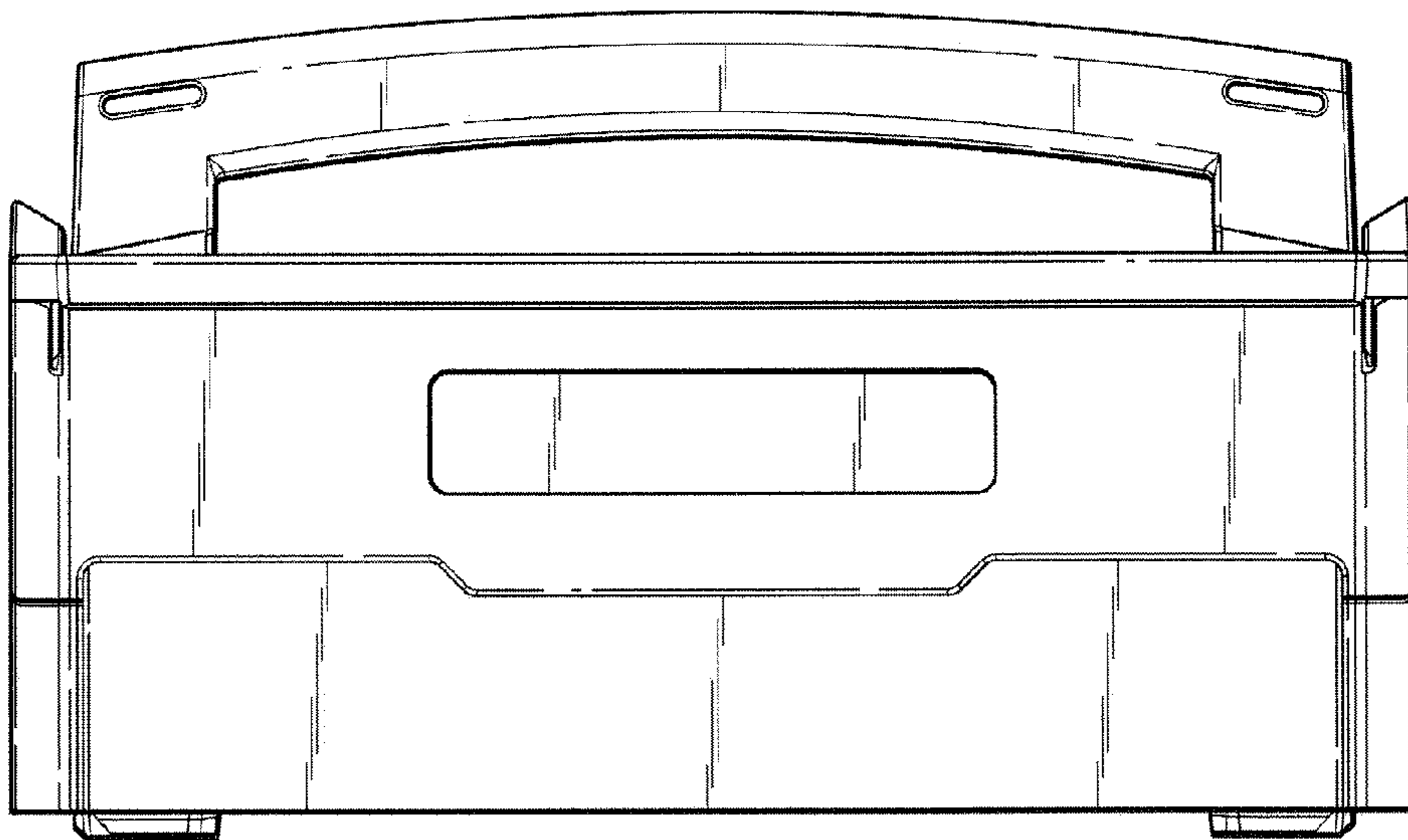


Fig. 3

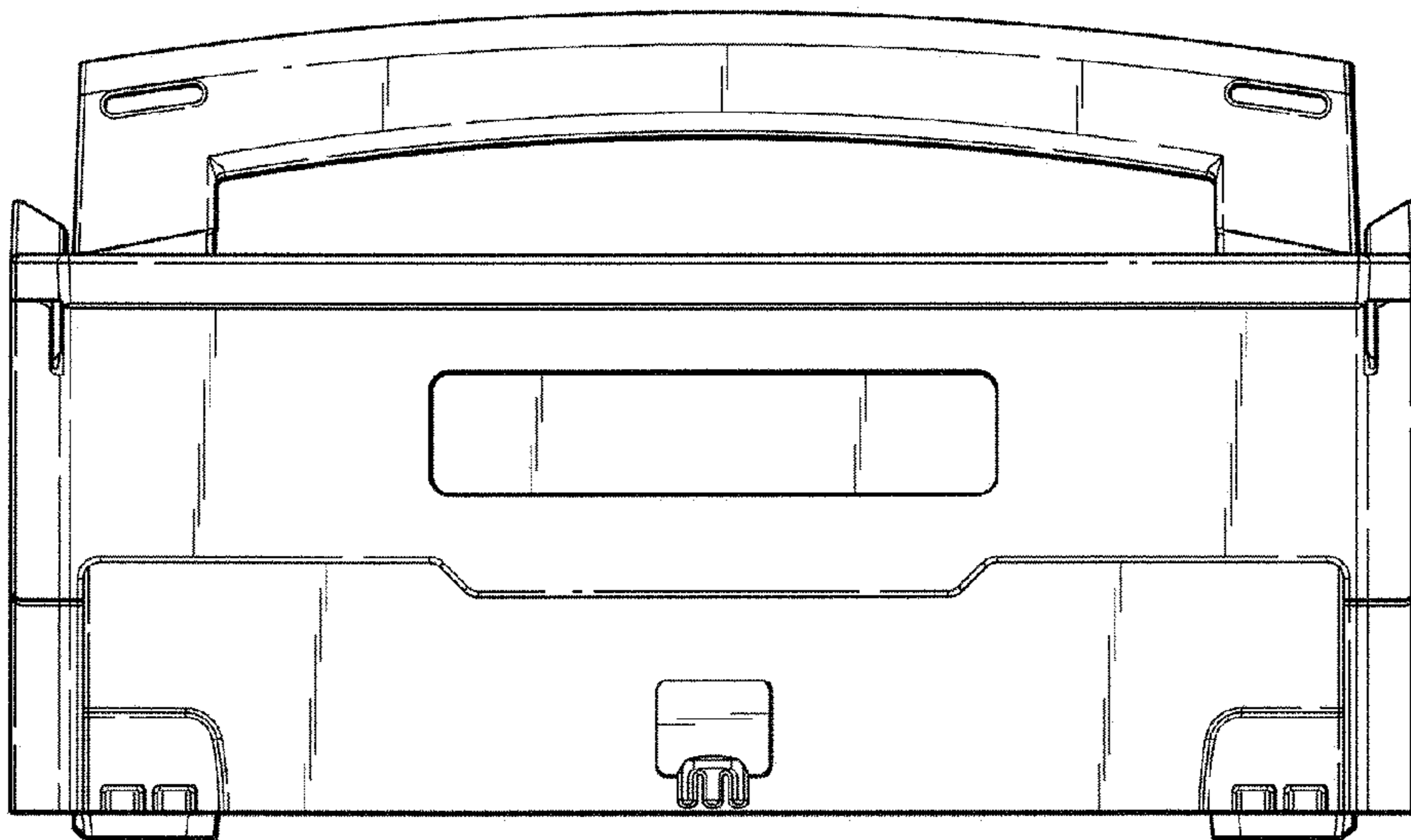


Fig. 4

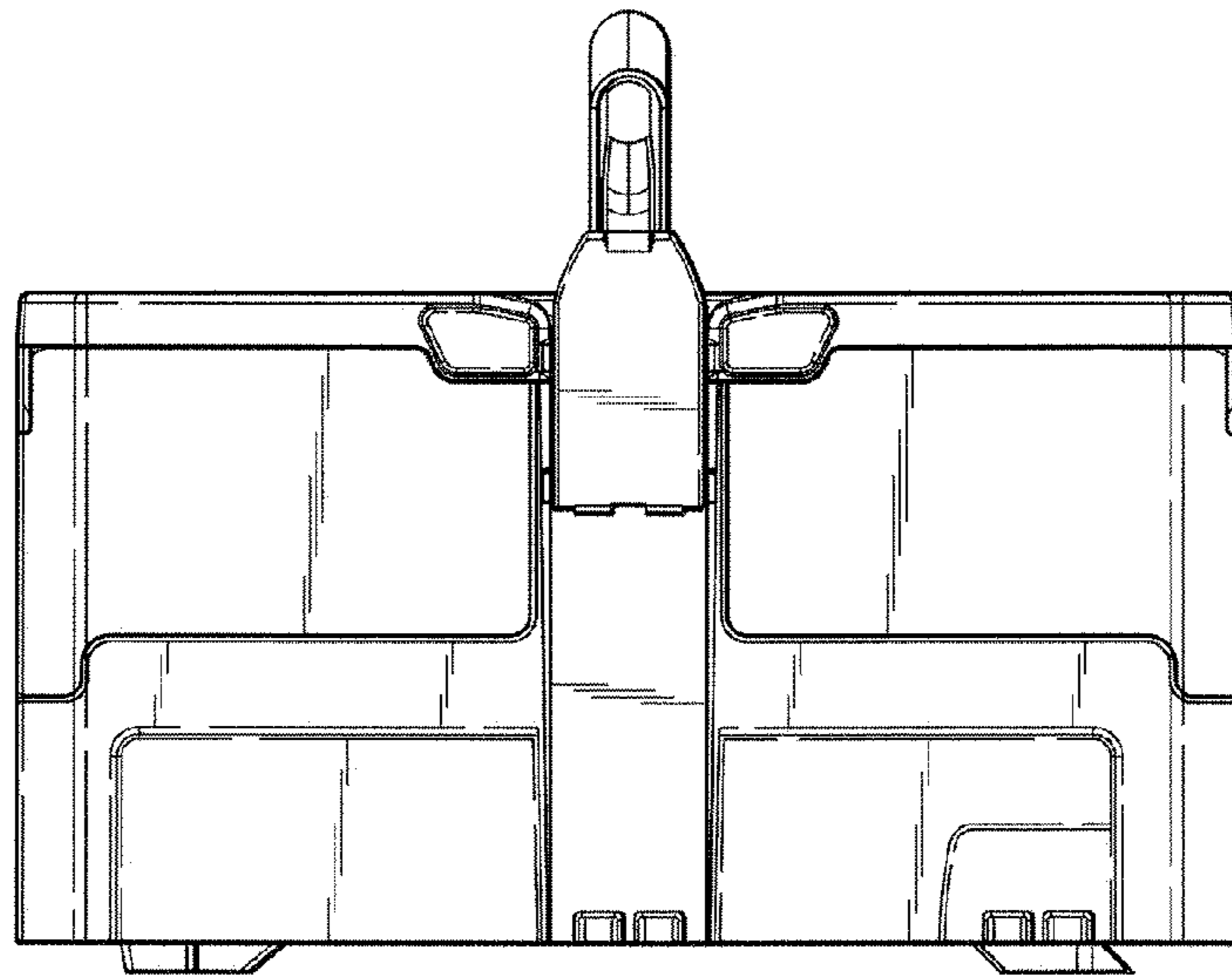


Fig. 5

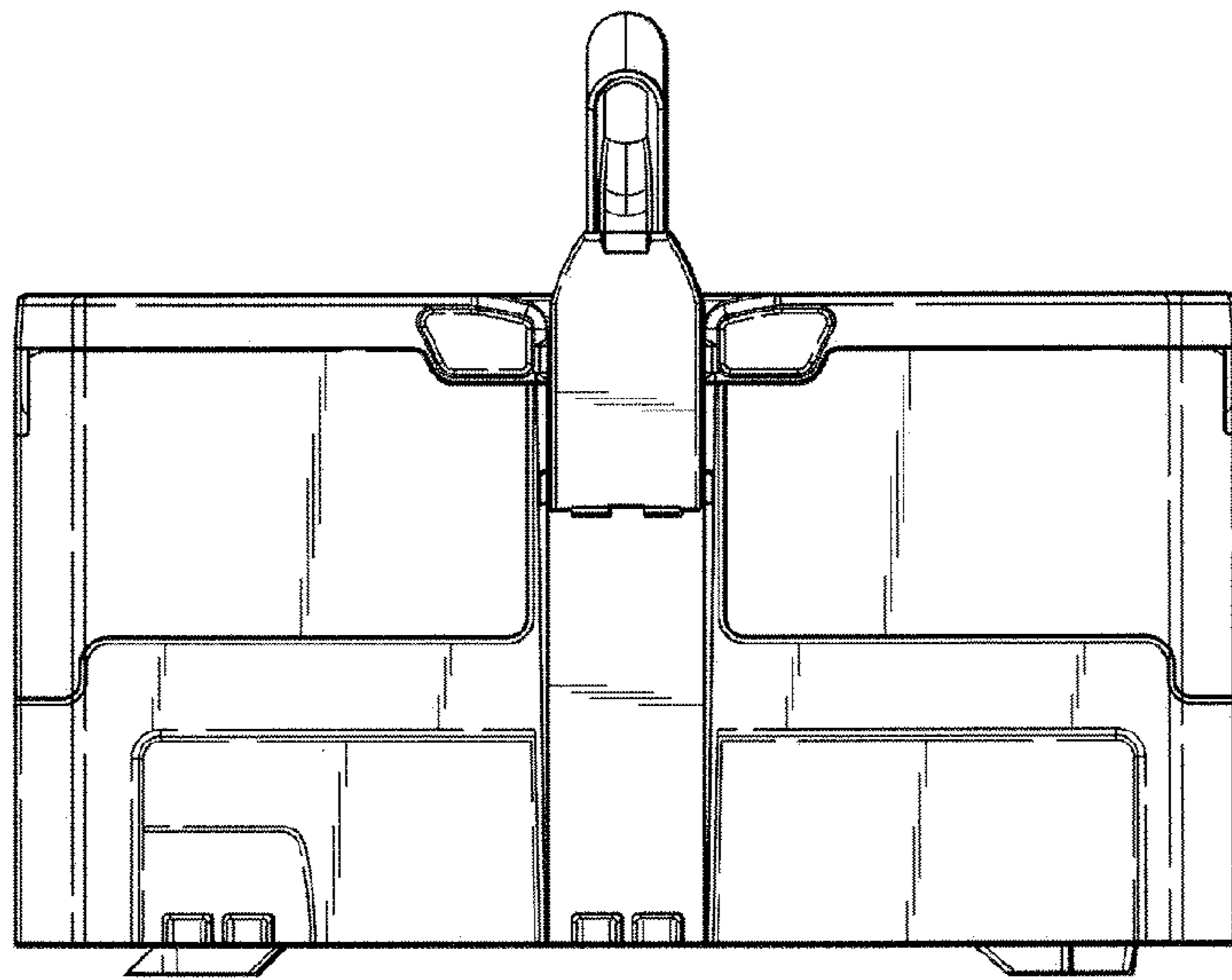


Fig. 6



Fig. 7

