



US00D731182S

(12) **United States Design Patent**
Yu

(10) **Patent No.:** **US D731,182 S**
(45) **Date of Patent:** **** Jun. 9, 2015**

(54) **LUGGAGE BAG**

(71) Applicant: **Travelers Club Luggage, Inc.**, La
Plama, CA (US)

(72) Inventor: **Peter Yu**, La Palma, CA (US)

(73) Assignee: **Travelers Club Luggage, Inc.**, La
Palma, CA (US)

(**) Term: **14 Years**

(21) Appl. No.: **29/511,607**

(22) Filed: **Dec. 11, 2014**

Related U.S. Application Data

(62) Division of application No. 29/485,299, filed on Mar.
18, 2014, now Pat. No. Des. 721,230.

(51) **LOC (10) Cl.** **03-01**

(52) **U.S. Cl.**
USPC **D3/279**

(58) **Field of Classification Search**
USPC D3/272, 276, 278, 279, 273, 274, 281,
D3/289; 190/100–127, 903, 37, 39, 18 A
CPC A45C 5/08; A45C 5/14; A45C 5/141;
A45C 2005/142

See application file for complete search history.

(56) **References Cited**

U.S. PATENT DOCUMENTS

D522,747	S	*	6/2006	Tortorella et al.	D3/279
D527,521	S	*	9/2006	Sijmons	D3/289
D565,295	S	*	4/2008	Weir	D3/271.1
D623,855	S	*	9/2010	Elliott et al.	D3/279
D639,057	S	*	6/2011	Presman et al.	D3/279
D666,414	S	*	9/2012	Giovannoni	D3/279
D679,907	S	*	4/2013	Kwon	D3/279
8,453,813	B2	*	6/2013	Lai	190/110
2006/0196743	A1	*	9/2006	Lin	190/18 A
2011/0187292	A1	*	8/2011	Sheikh	315/313
2011/0308907	A1	*	12/2011	Hou	190/124

* cited by examiner

Primary Examiner — Jennifer Rivard
(74) *Attorney, Agent, or Firm* — Trojan Law Offices

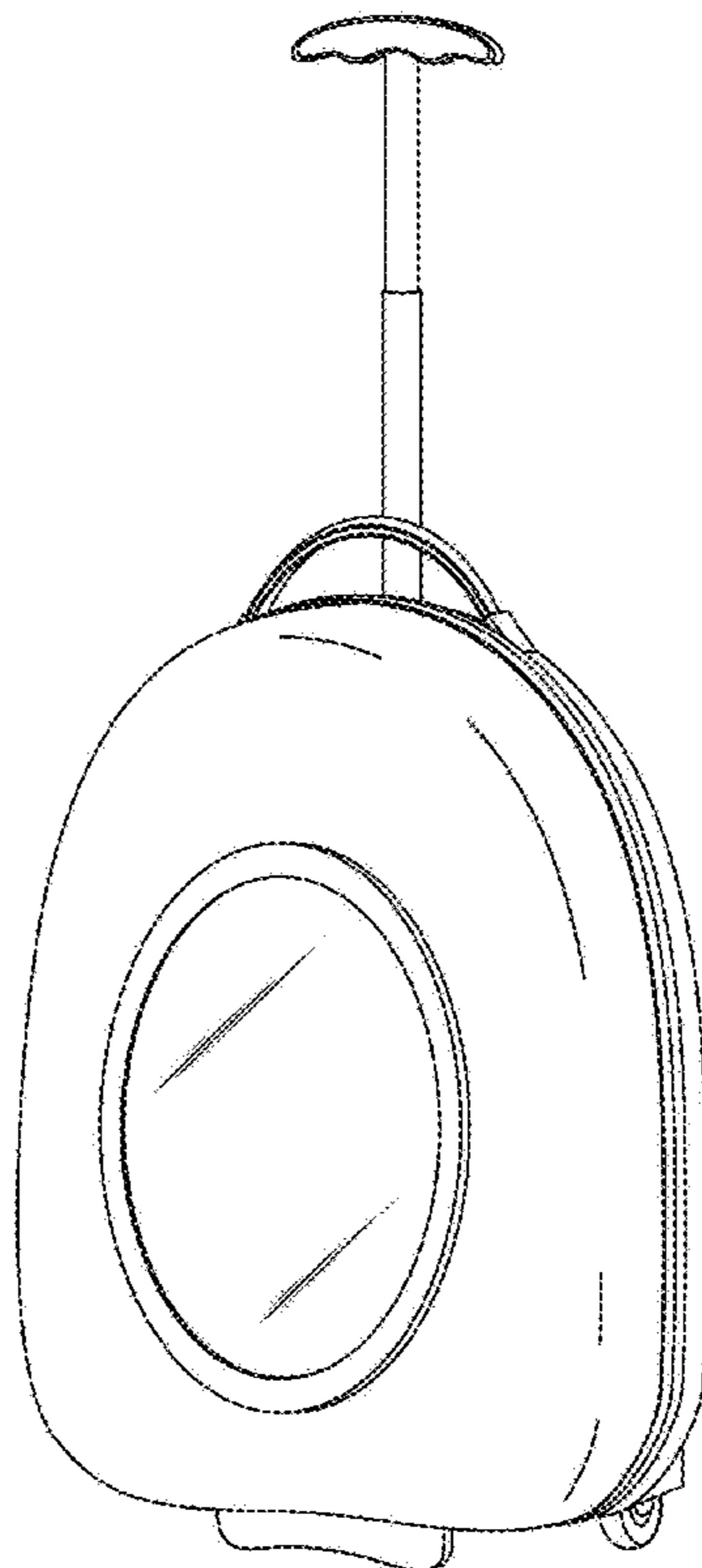
(57) **CLAIM**

The ornamental design for a luggage bag, as shown and described.

DESCRIPTION

FIG. 1 is a perspective view of a luggage bag showing my new design;
FIG. 2 is a front view of the luggage bag shown in FIG. 1;
FIG. 3 is a rear view of my luggage bag shown in FIG. 1;
FIG. 4 is a left side view of my luggage bag shown in FIG. 1;
FIG. 5 is a right side view of my luggage bag shown in FIG. 1; and,
FIG. 6 is a top view of my luggage bag shown in FIG. 1.

1 Claim, 6 Drawing Sheets



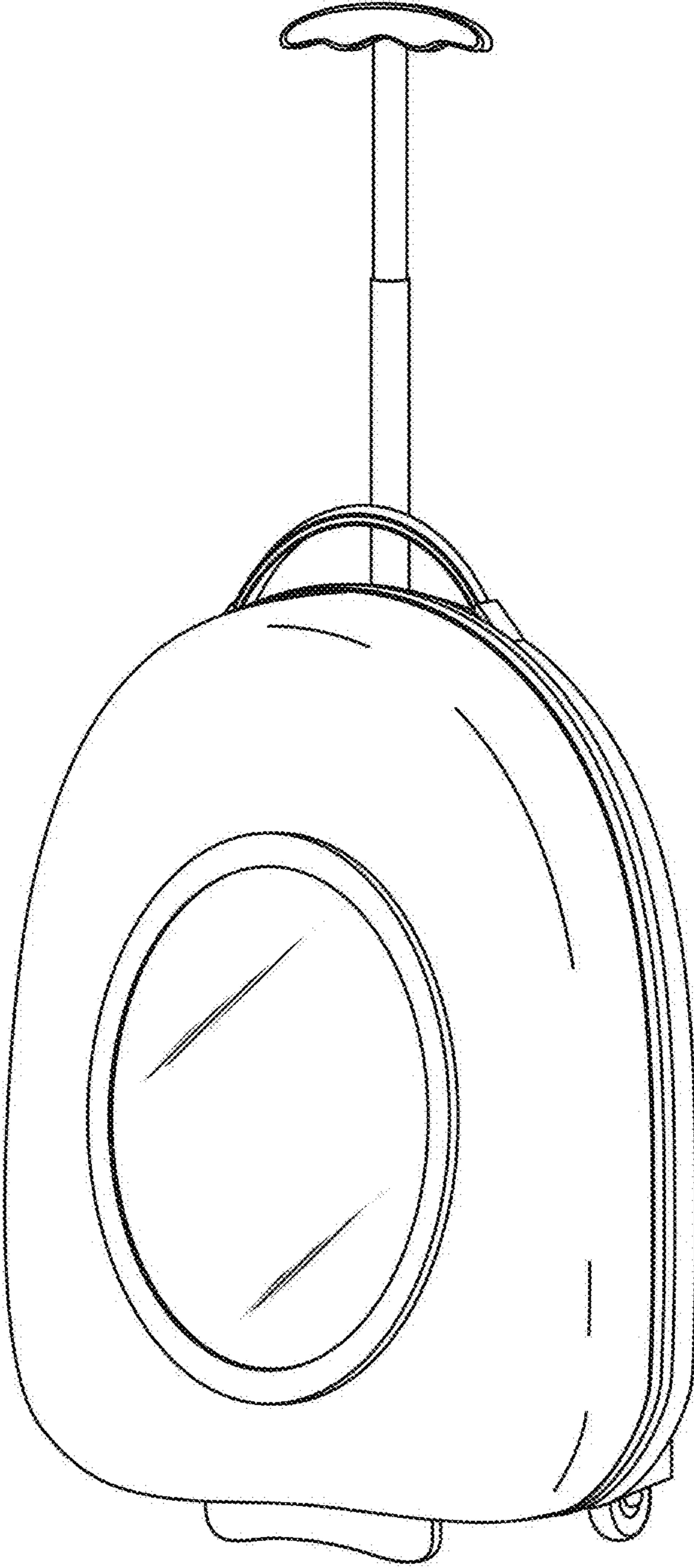


Fig. 1

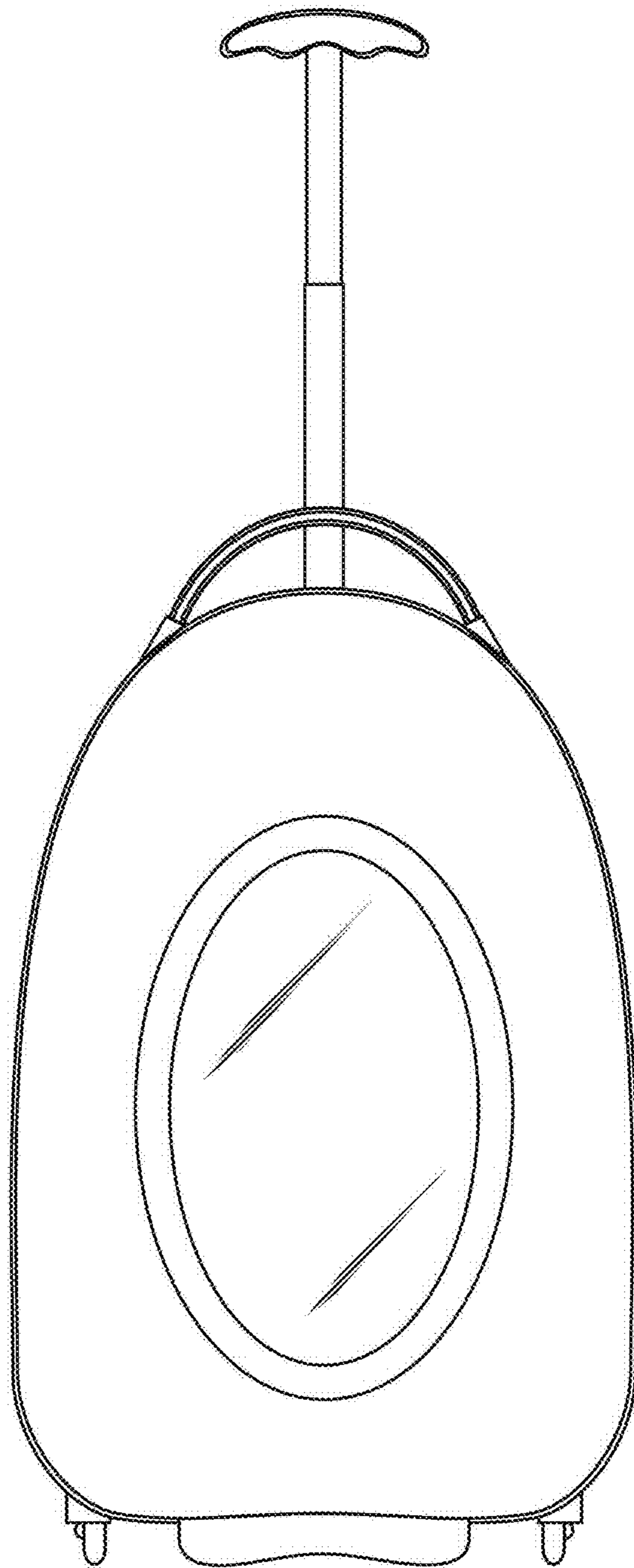


Fig. 2

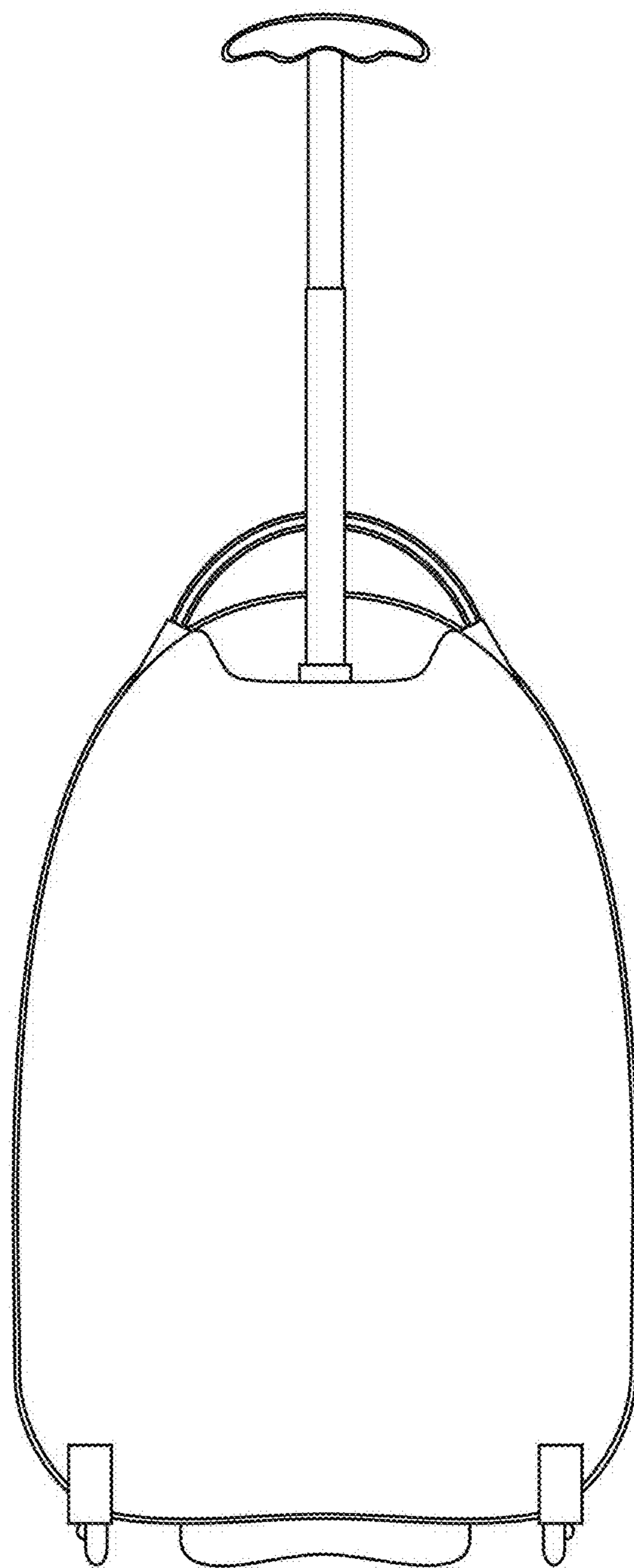


Fig. 3

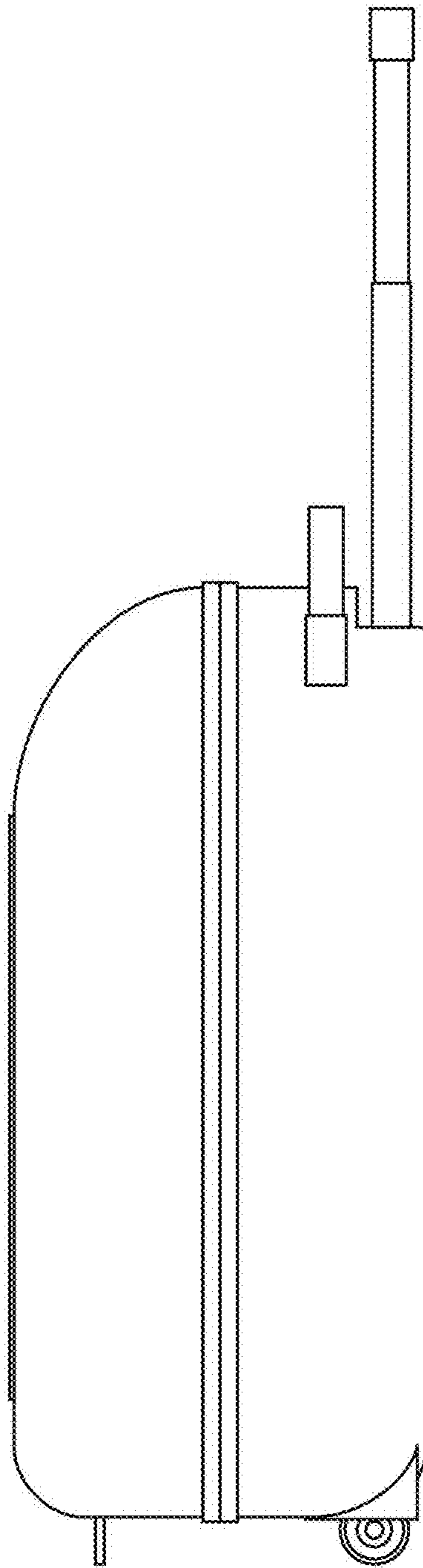


Fig. 4

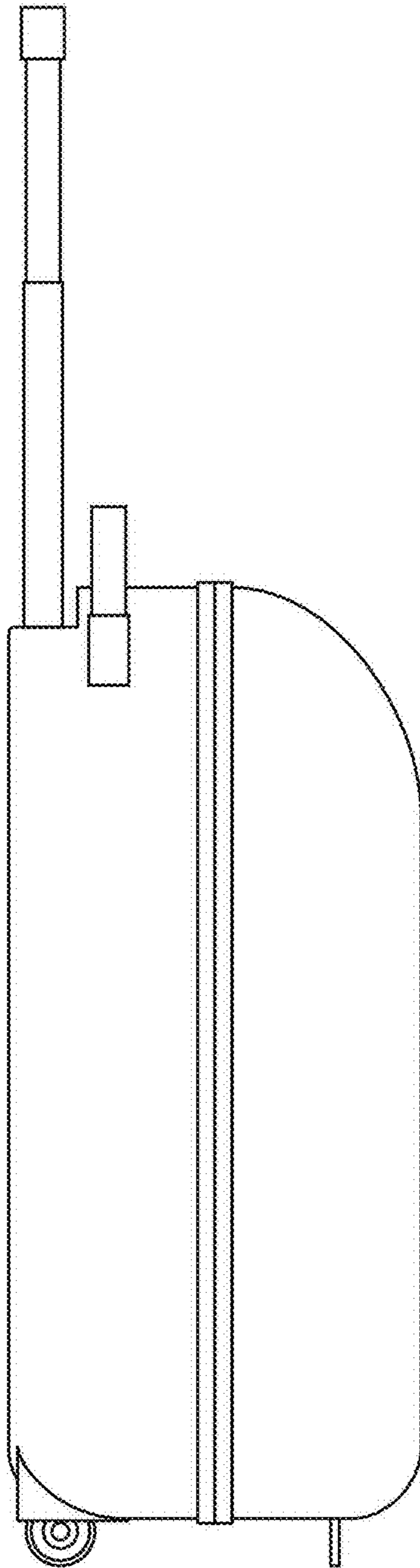


Fig. 5

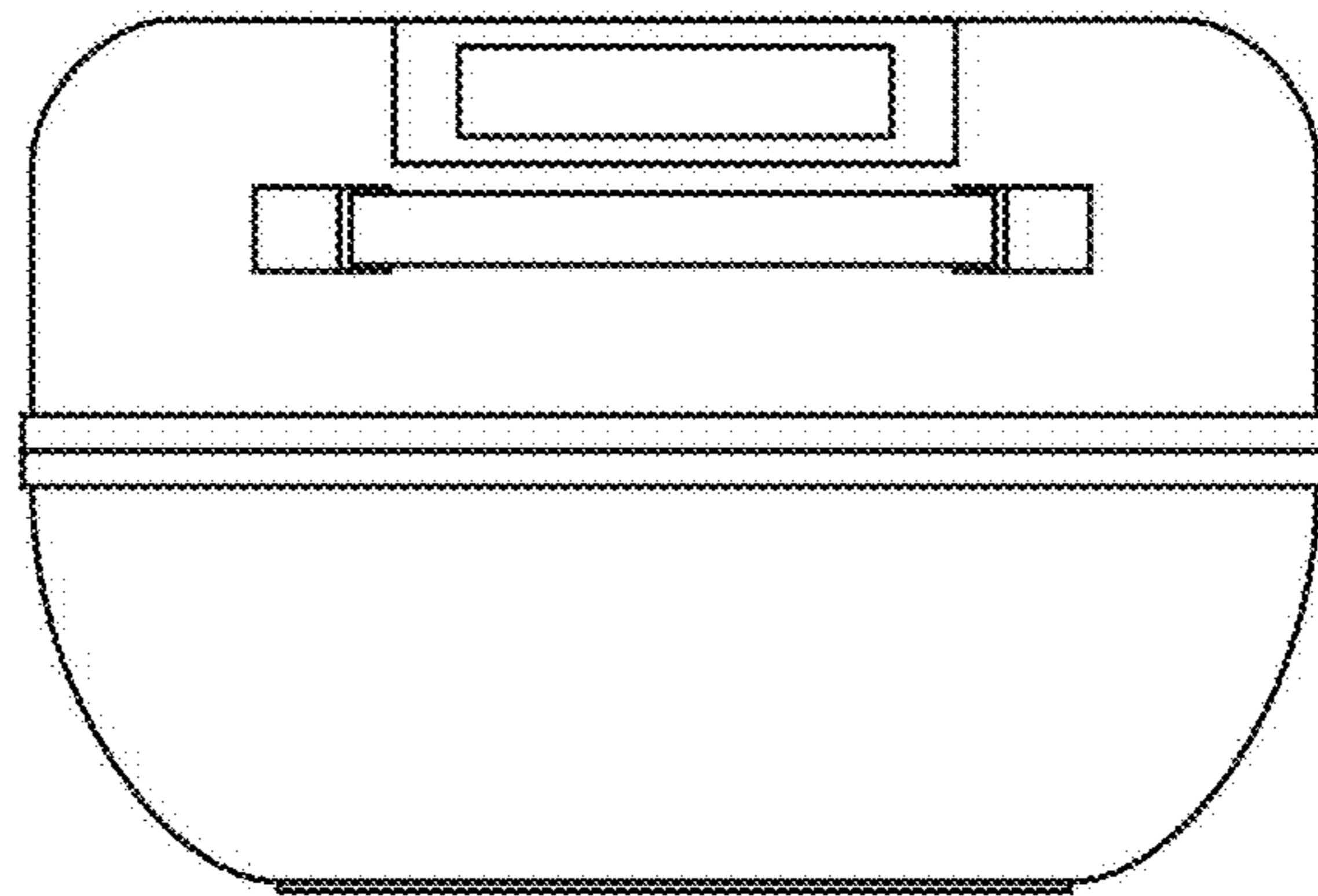


Fig. 6