



US00D731176S

(12) **United States Design Patent**  
**Cross**

(10) **Patent No.:** **US D731,176 S**  
(45) **Date of Patent:** **\*\* Jun. 9, 2015**

(54) **BAG**

(71) Applicant: **GOPLUG BAGS, INC.**, Sandy, UT  
(US)

(72) Inventor: **Joshua Seth Mark Cross**, Orem, UT  
(US)

(73) Assignee: **GOPLUG BAGS, INC.**, Sandy, UT  
(US)

(\*\*) Term: **14 Years**

(21) Appl. No.: **29/469,499**

(22) Filed: **Oct. 10, 2013**

(51) **LOC (10) Cl.** ..... **03-01**

(52) **U.S. Cl.**  
USPC ..... **D3/233**

(58) **Field of Classification Search**  
USPC ..... D3/232-233, 240-243, 245-246;  
224/153-156, 578-580, 627-659, 608,  
224/612  
CPC ..... A45C 1/024; A45C 3/06  
See application file for complete search history.

(56) **References Cited**

**U.S. PATENT DOCUMENTS**

D725,901	S *	4/2015	Cross	.....	D3/233
2002/0185508	A1 *	12/2002	Clark et al.	.....	224/652
2008/0210728	A1 *	9/2008	Bihn	.....	224/576
2010/0213892	A1 *	8/2010	DeSanctis	.....	320/107
2010/0243692	A1 *	9/2010	Sabbah	.....	224/581

(Continued)

**OTHER PUBLICATIONS**

<http://travel.usatoday.com/destinations/dispatches/post/2010/09/backpack-keeps-batteries-charged-while-youre-on-the-go-1-2/125299/1>.

(Continued)

*Primary Examiner* — Michael A Pratt

(74) *Attorney, Agent, or Firm* — Maschoff Brennan

(57) **CLAIM**

The ornamental design for a bag, as shown and described.

**DESCRIPTION**

FIG. 1 is an upper left perspective view of an exemplary bag; FIG. 2 is an upper right perspective view of the bag shown in FIG. 1;

FIG. 3 is a front view of the bag shown in FIG. 1;

FIG. 4 is a rear view of the bag shown in FIG. 1;

FIG. 5 is a left side view of the bag shown in FIG. 1;

FIG. 6 is a right side view of the bag shown in FIG. 1;

FIG. 7 is a top view of the bag shown in FIG. 1;

FIG. 8 is a bottom view of the bag shown in FIG. 1;

FIG. 9 is an upper right perspective view of another exemplary bag;

FIG. 10 is an upper left perspective view of the bag shown in FIG. 9;

FIG. 11 is a front view of the bag shown in FIG. 9;

FIG. 12 is a rear view of the bag shown in FIG. 9;

FIG. 13 is a left side view of the bag shown in FIG. 9;

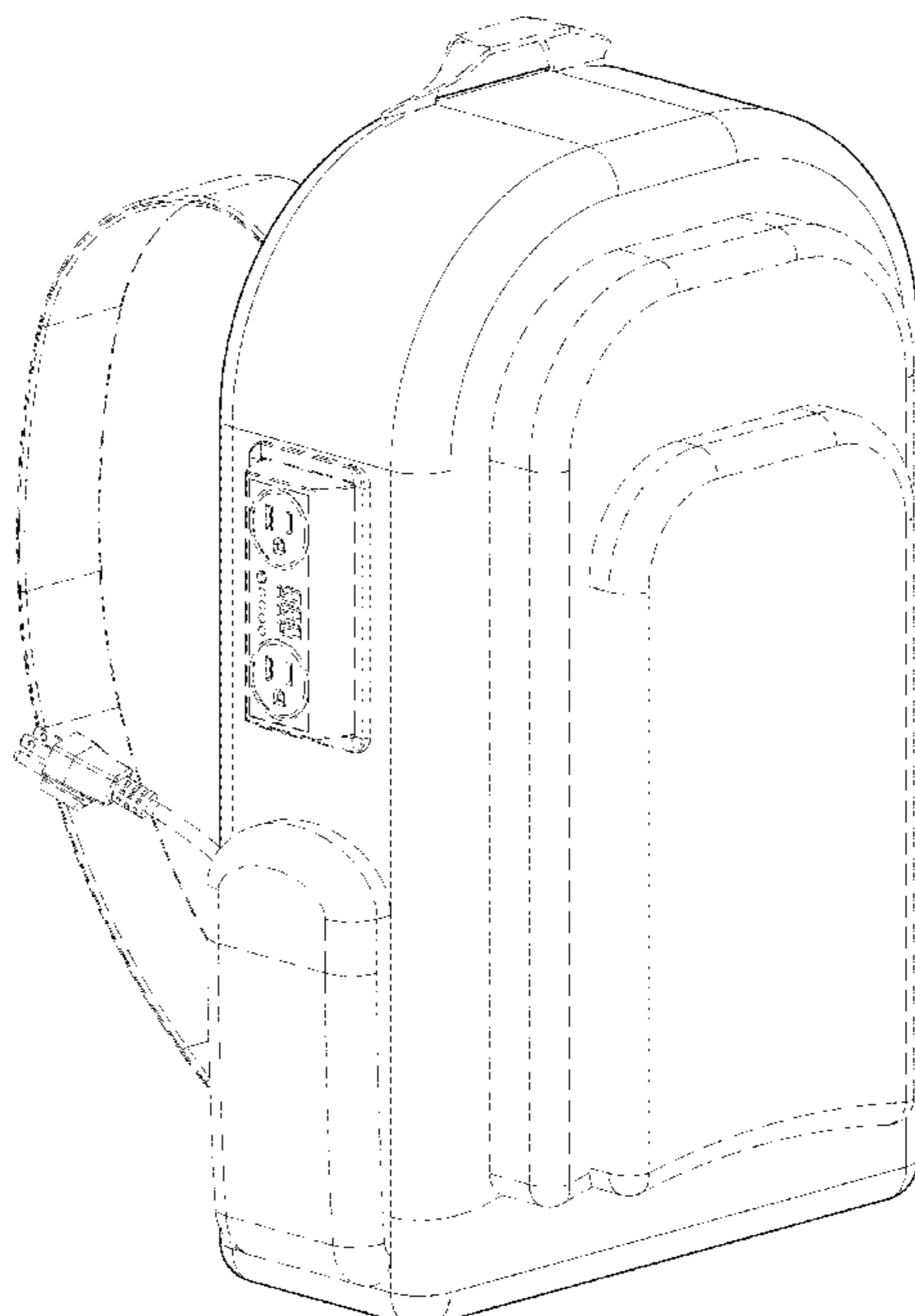
FIG. 14 is a right side view of the bag shown in FIG. 9;

FIG. 15 is a top view of the bag shown in FIG. 9; and,

FIG. 16 is a bottom view of the bag as shown in FIG. 9.

The broken lines shown in the figures are for illustrative purposes only and form no part of the claimed design.

**1 Claim, 16 Drawing Sheets**



(56)

**References Cited**

**OTHER PUBLICATIONS**

U.S. PATENT DOCUMENTS

2011/0011761	A1 *	1/2011	Enmon .....	206/320
2013/0082077	A1 *	4/2013	Millman et al. ....	224/153
2014/0011061	A1 *	1/2014	Yoshinari et al. ....	429/91
2014/0231471	A1 *	8/2014	Thomas .....	224/153
2015/0041511	A1 *	2/2015	Powell .....	224/576

Design U.S. Appl. No. 29/469,495, filed Oct. 10, 2013.  
Design U.S. Appl. No. 29/469,498, filed Oct. 10, 2013.  
U.S. Appl. No. 61/889,404, filed Oct. 10, 2013.  
Design U.S. Appl. No. 29/469,500, filed Oct. 10, 2013.

\* cited by examiner

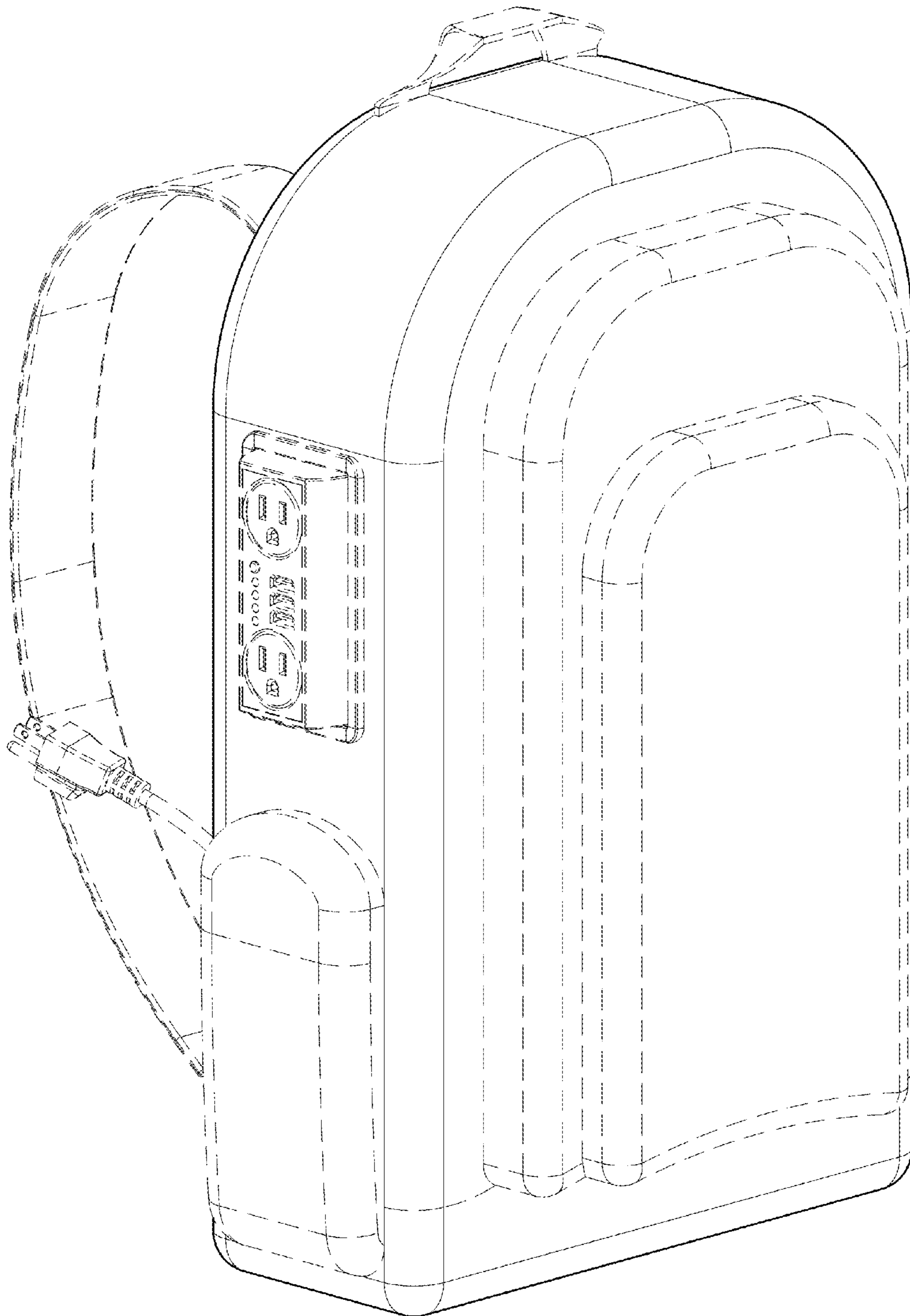


Fig. 1

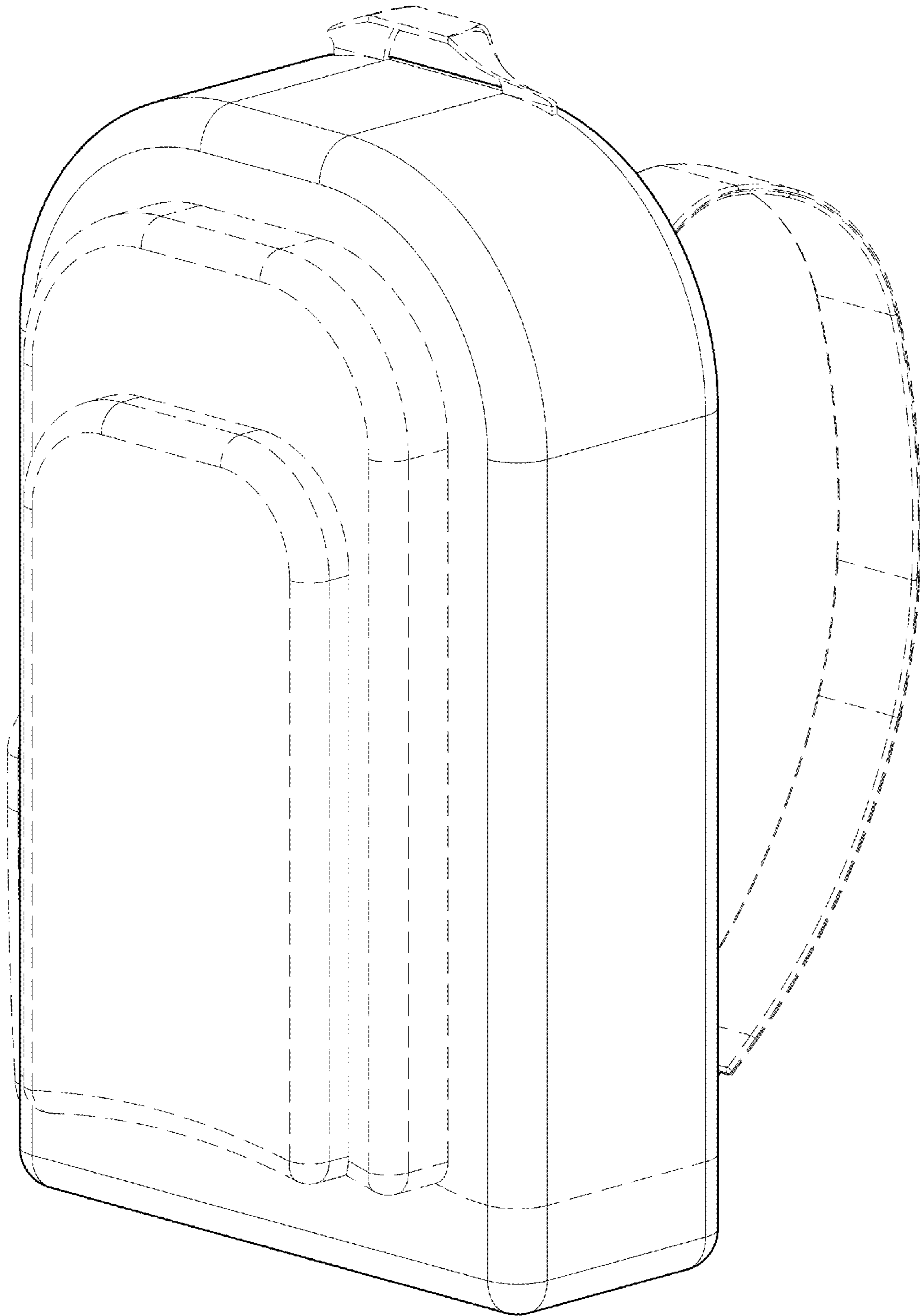


Fig. 2

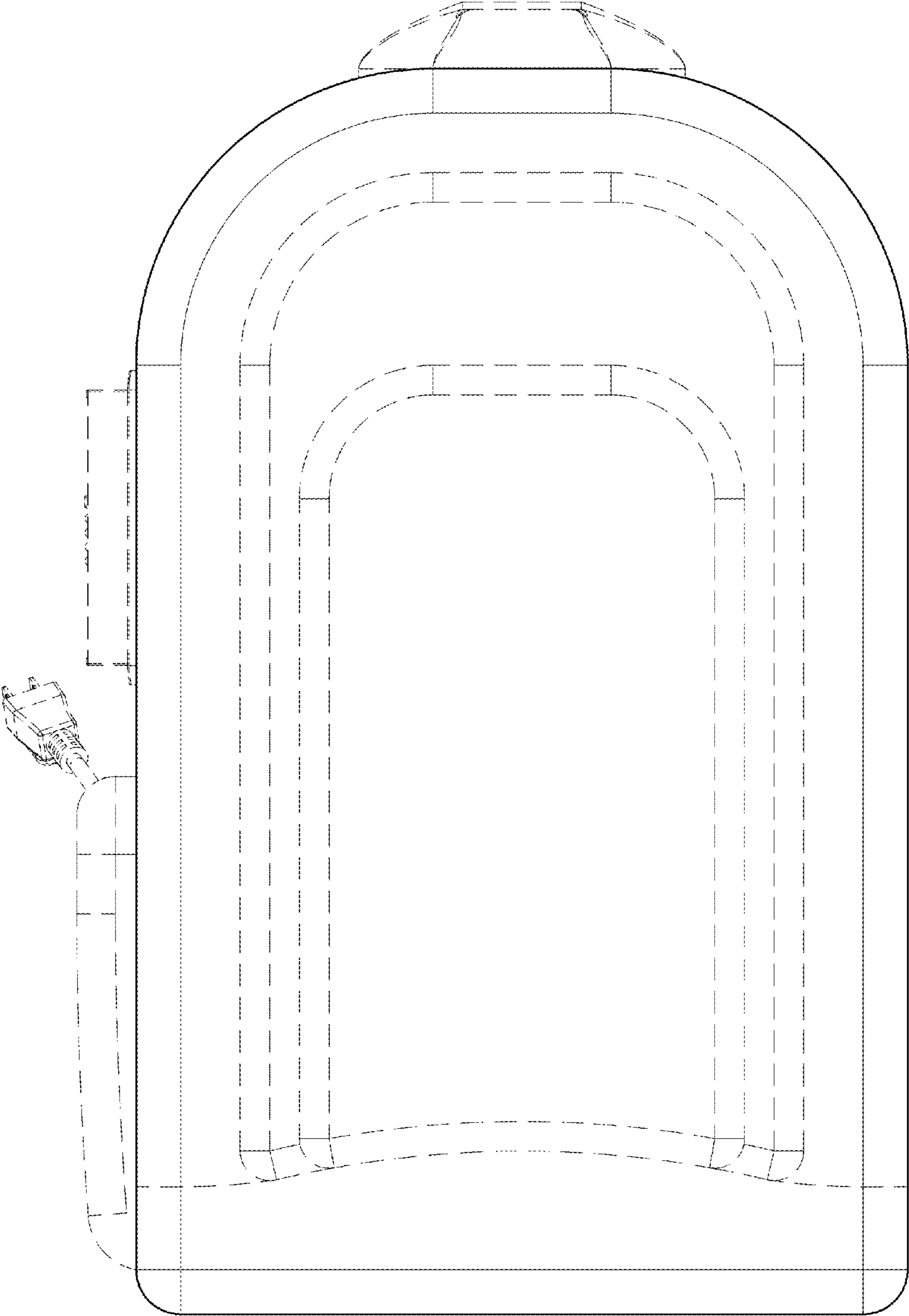


Fig. 3

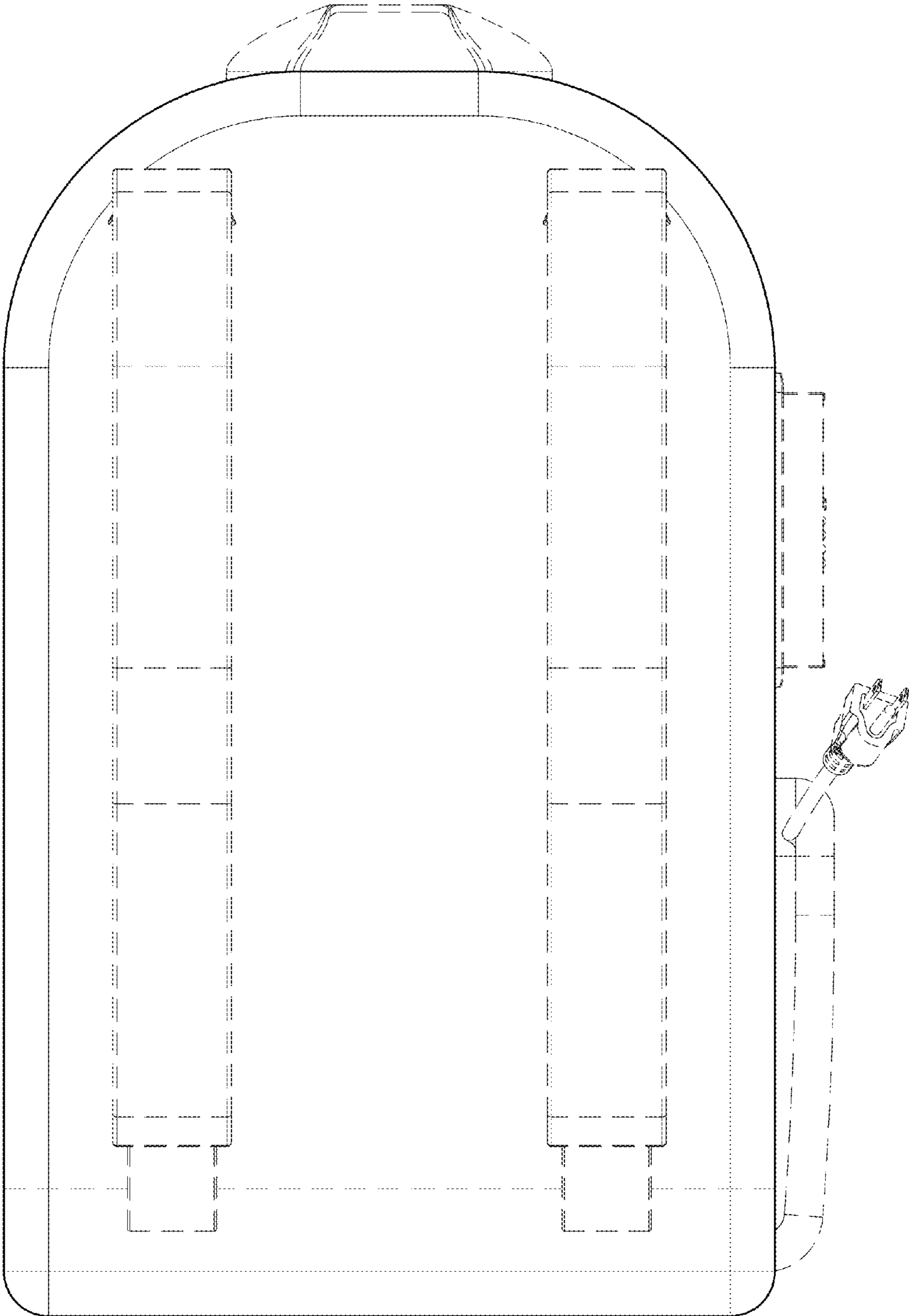


Fig. 4

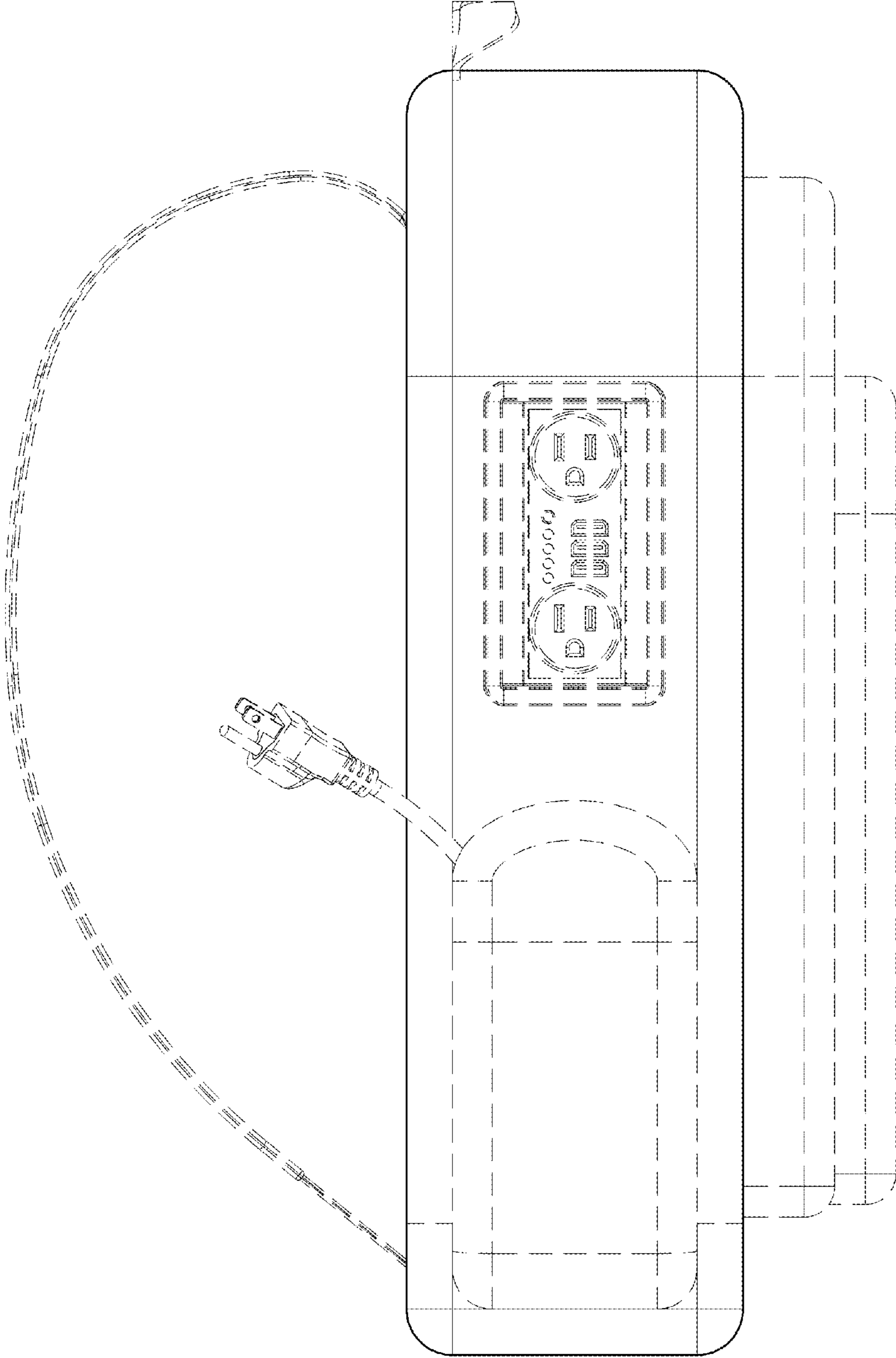


Fig. 5

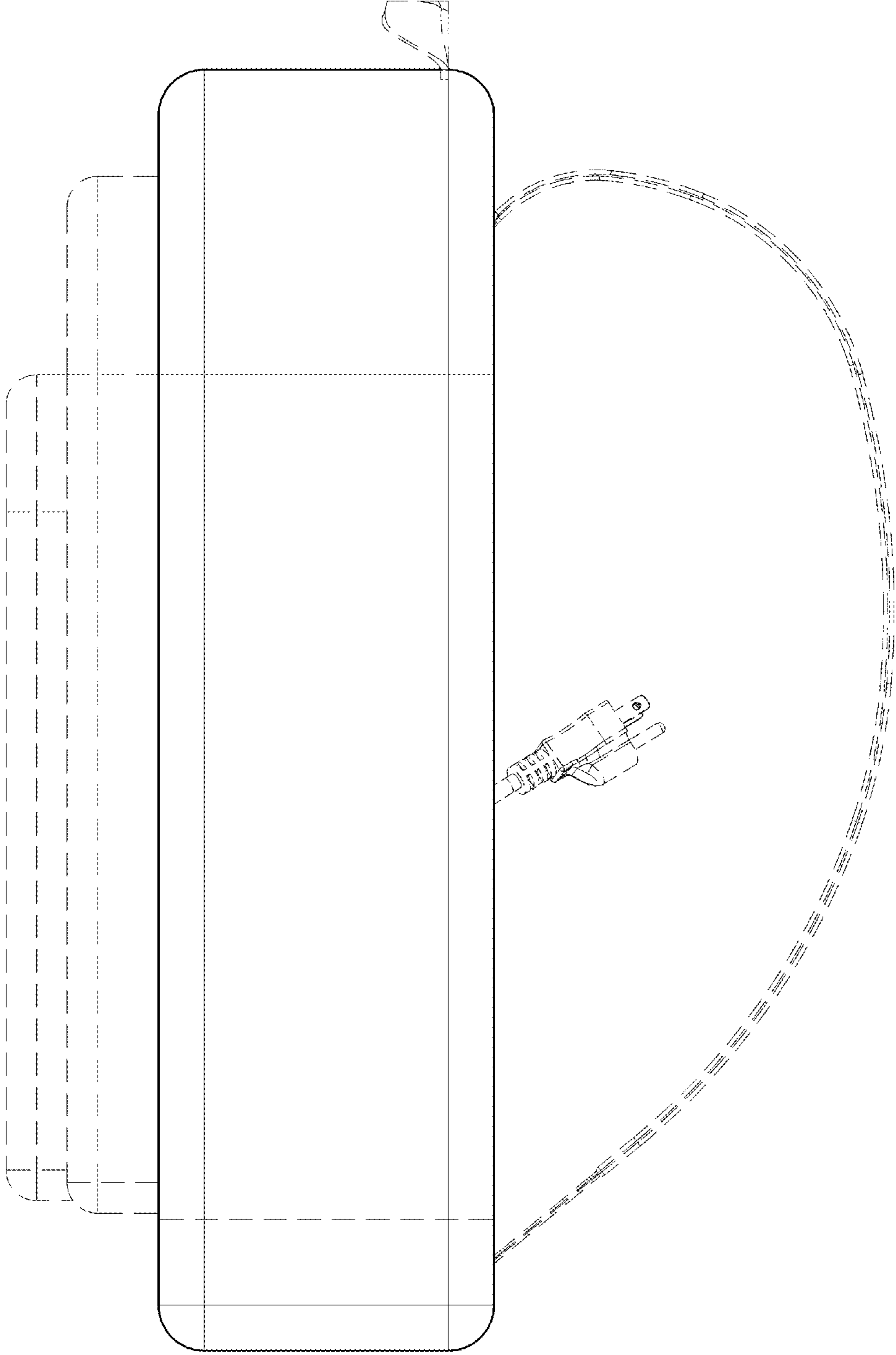


Fig. 6



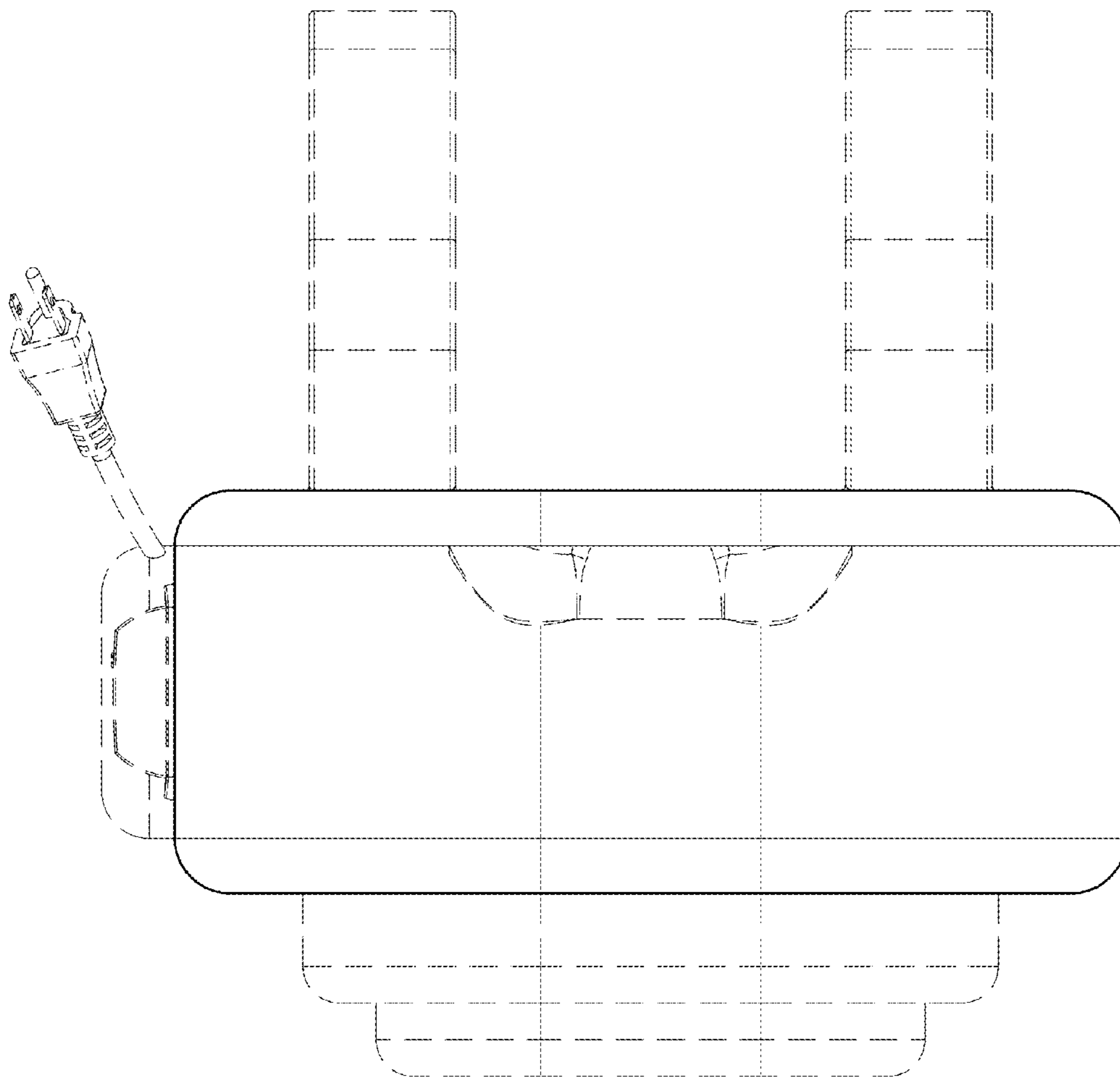
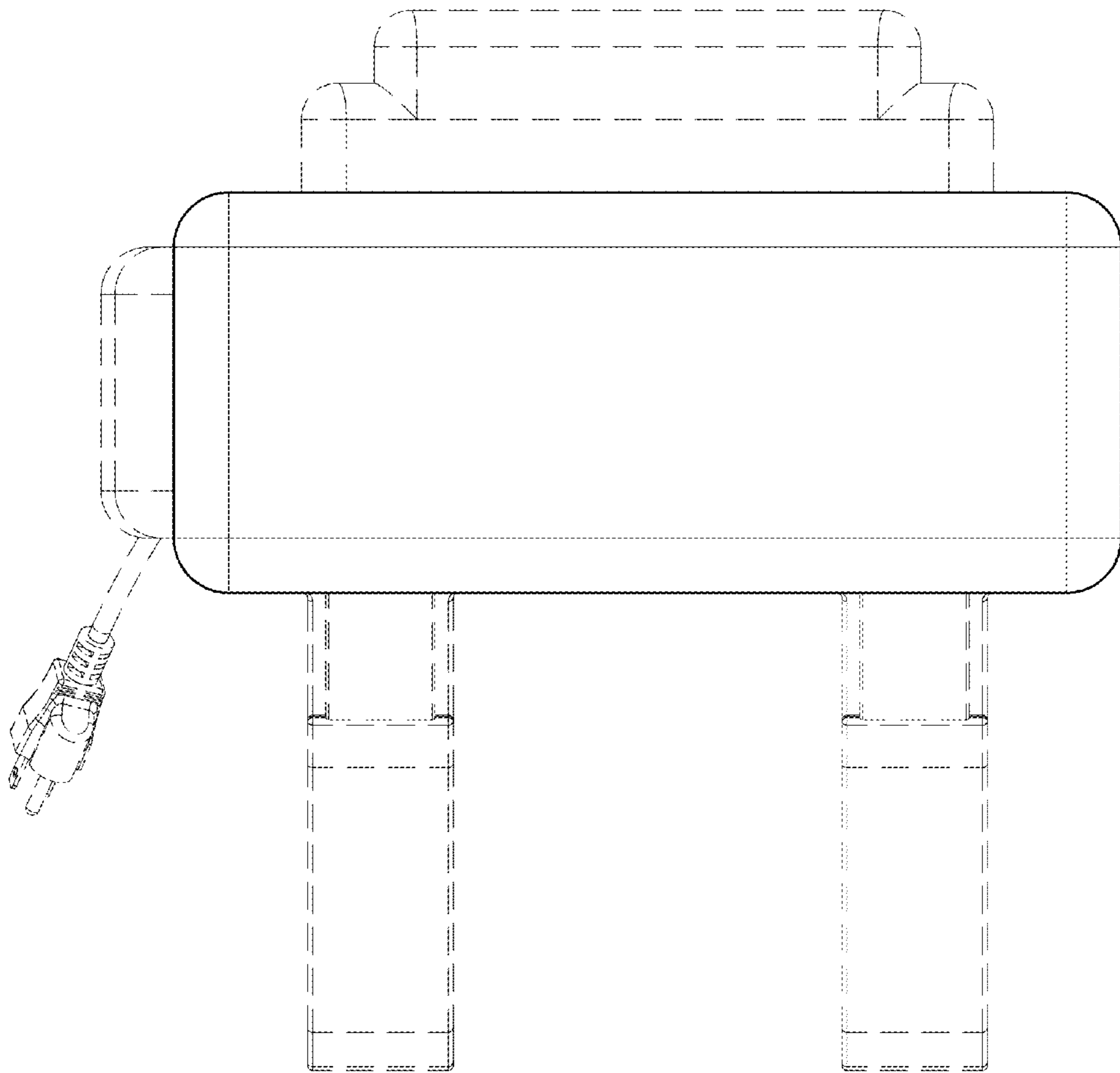
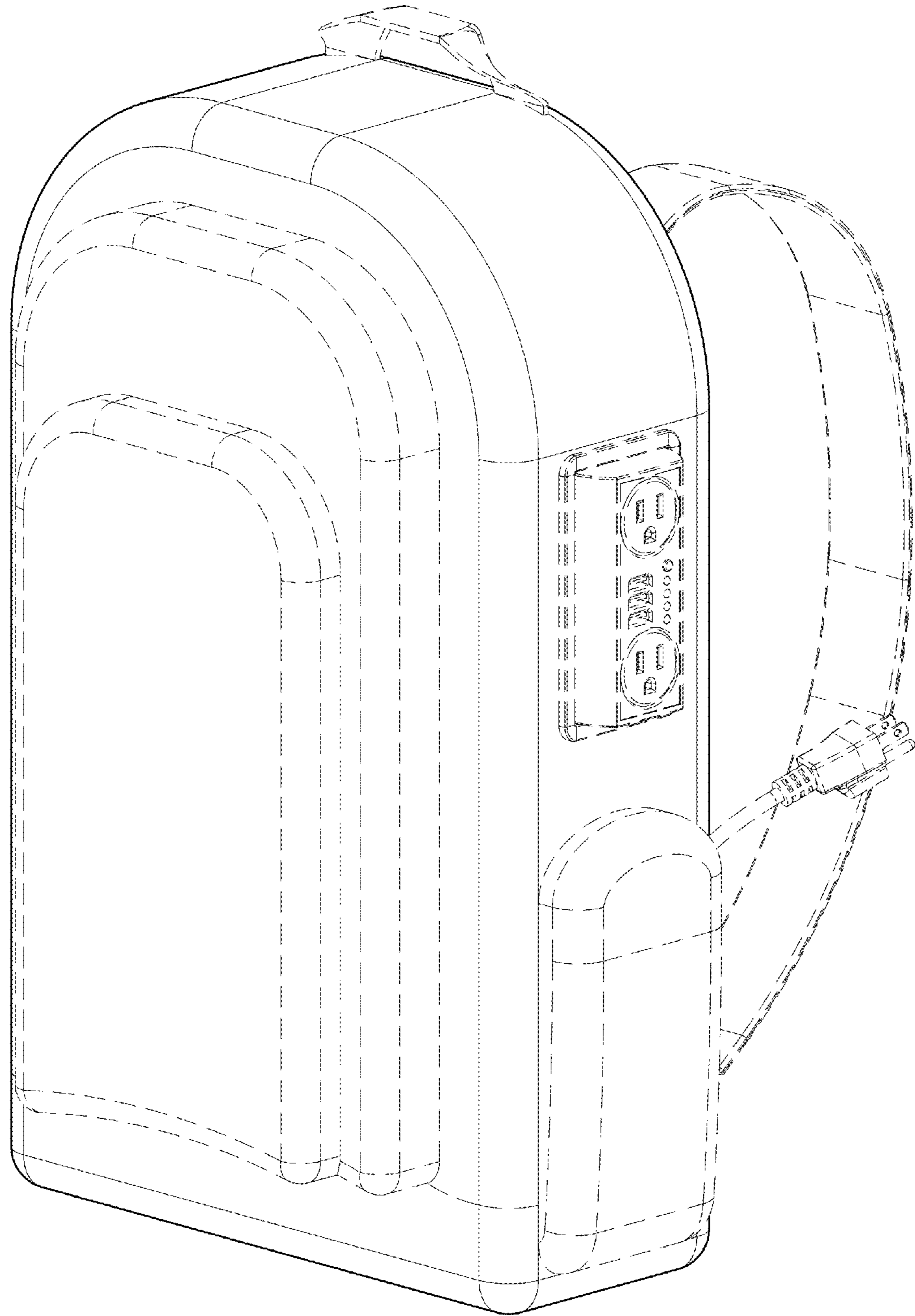


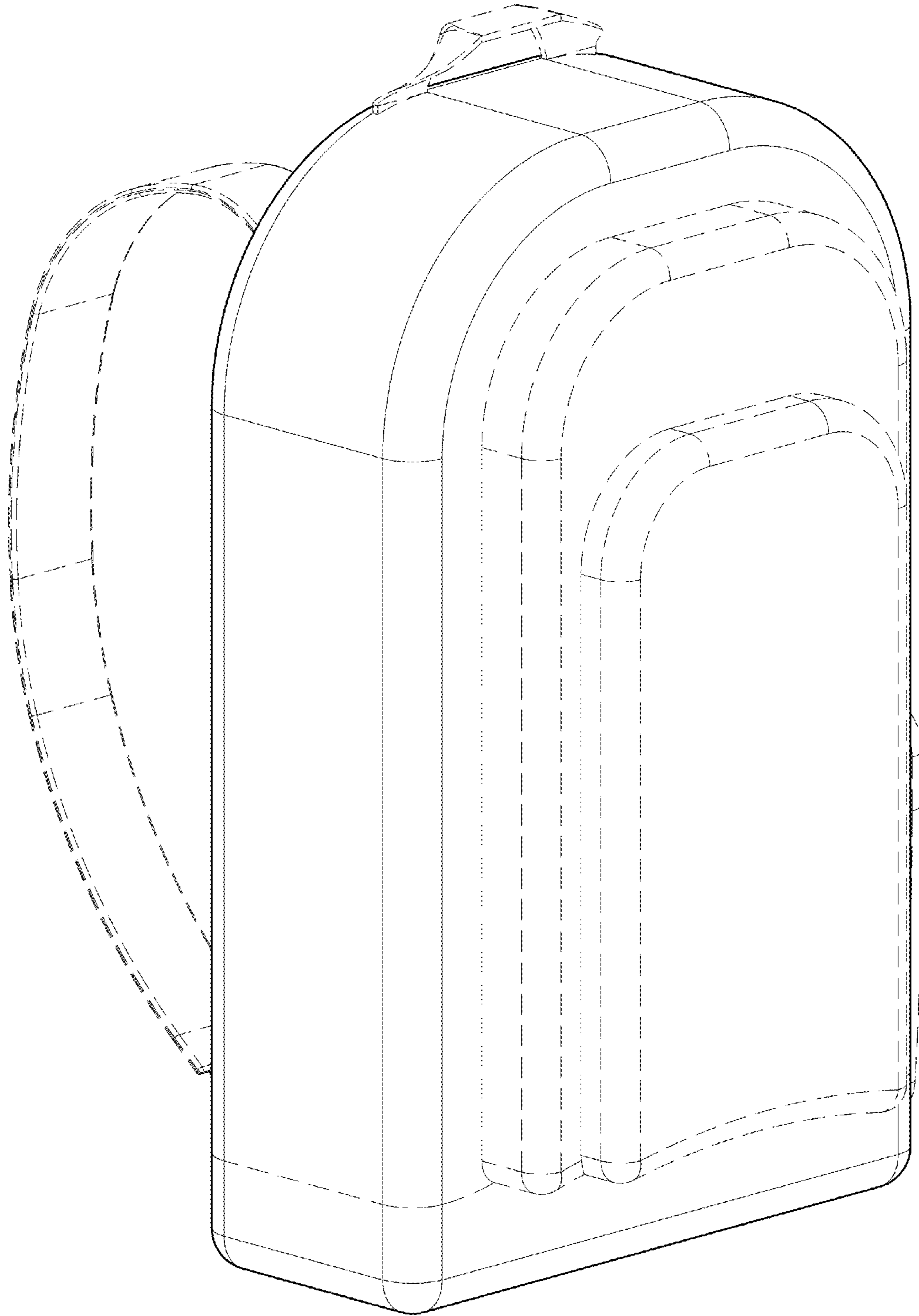
Fig. 7



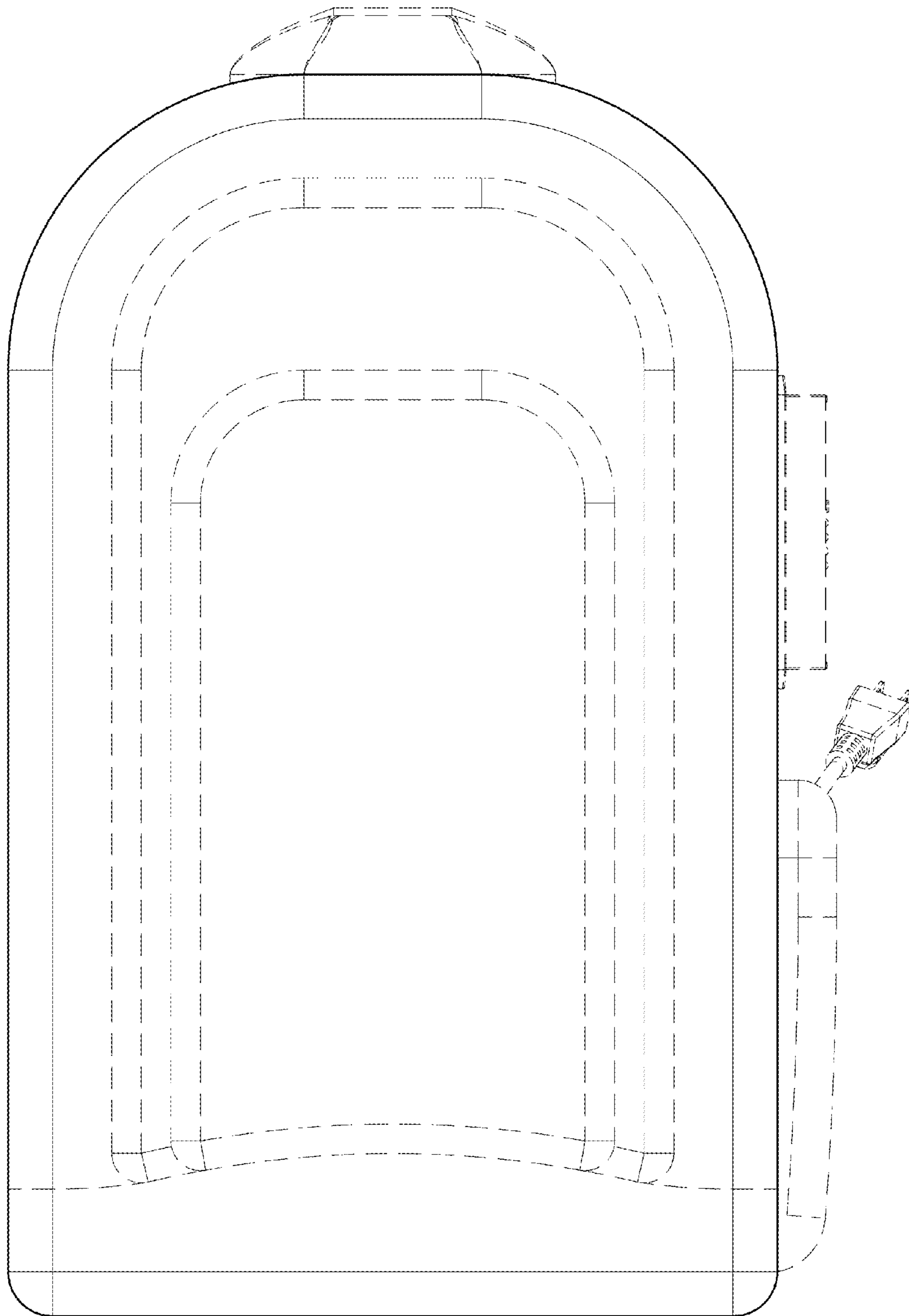
**Fig. 8**



**Fig. 9**



**Fig. 10**



**Fig. 11**

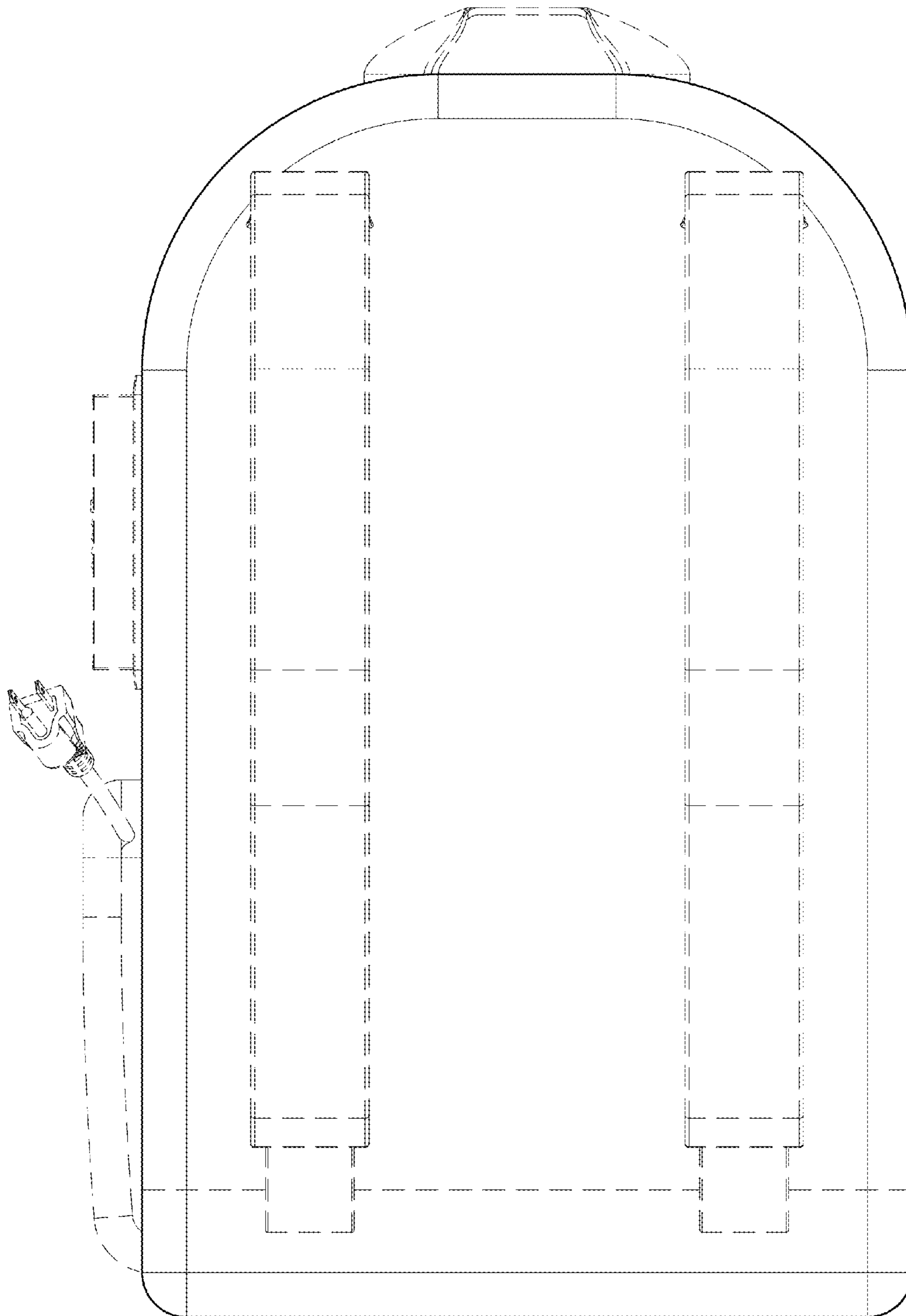


Fig. 12

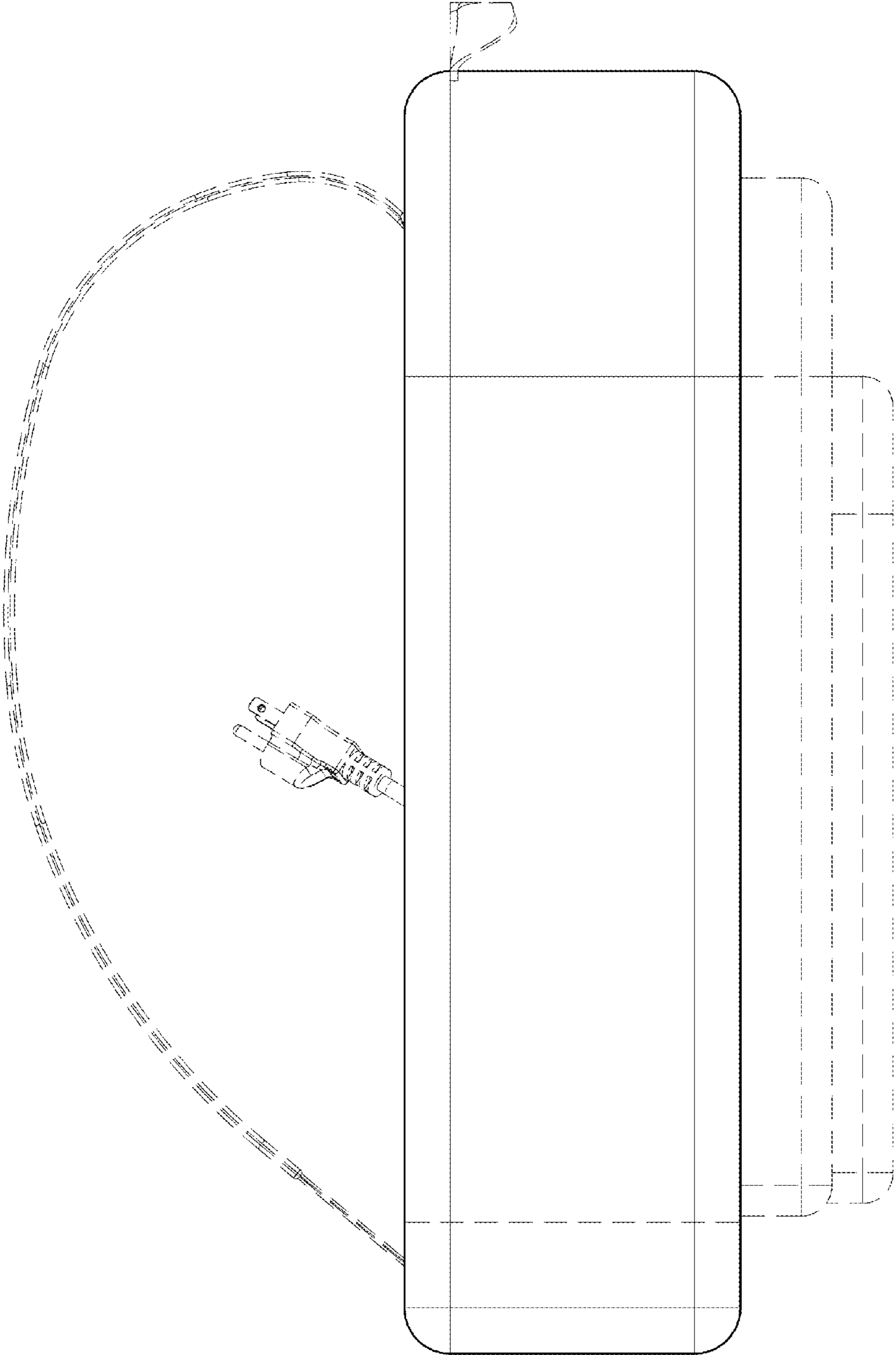


Fig. 13

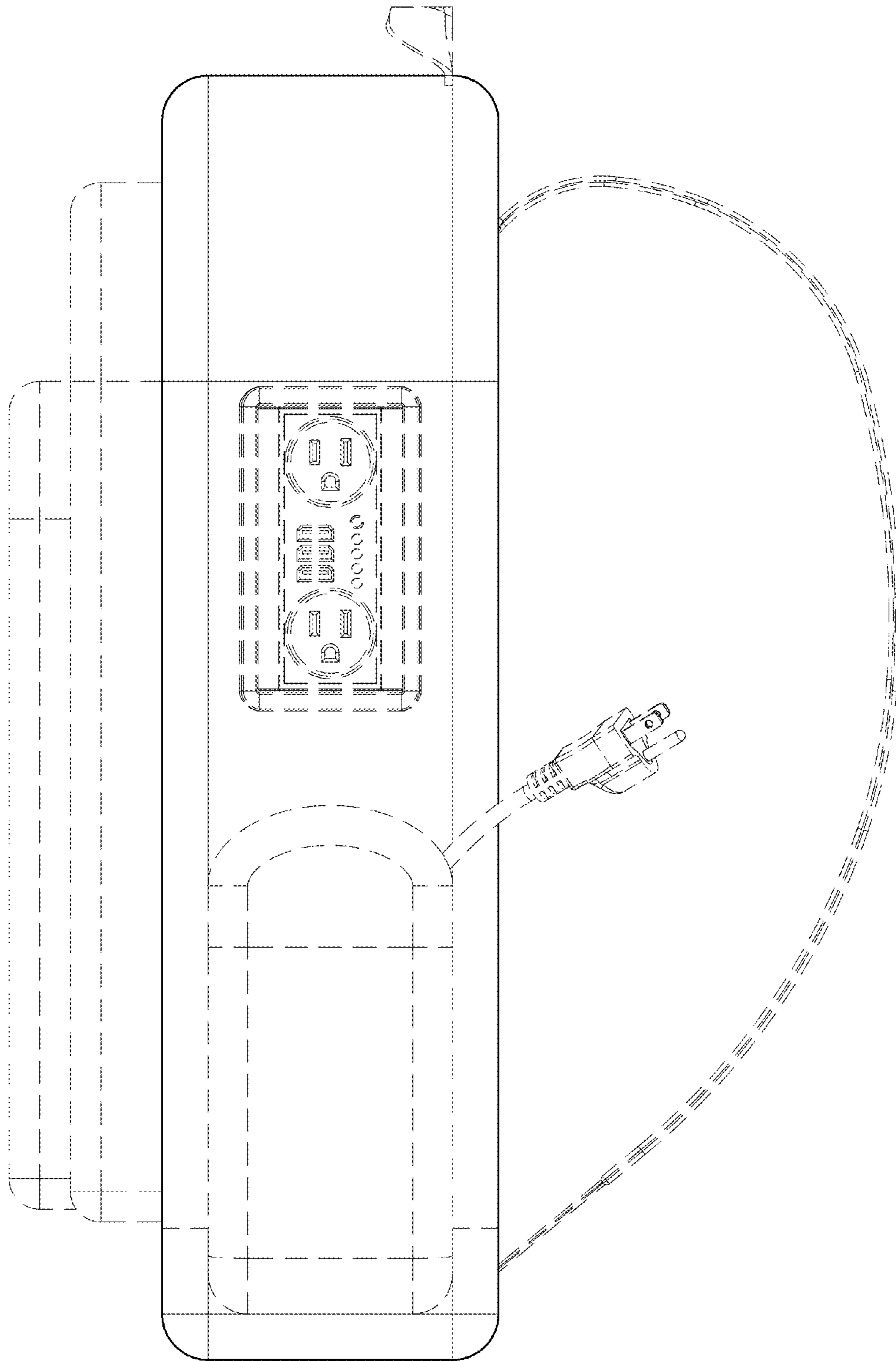
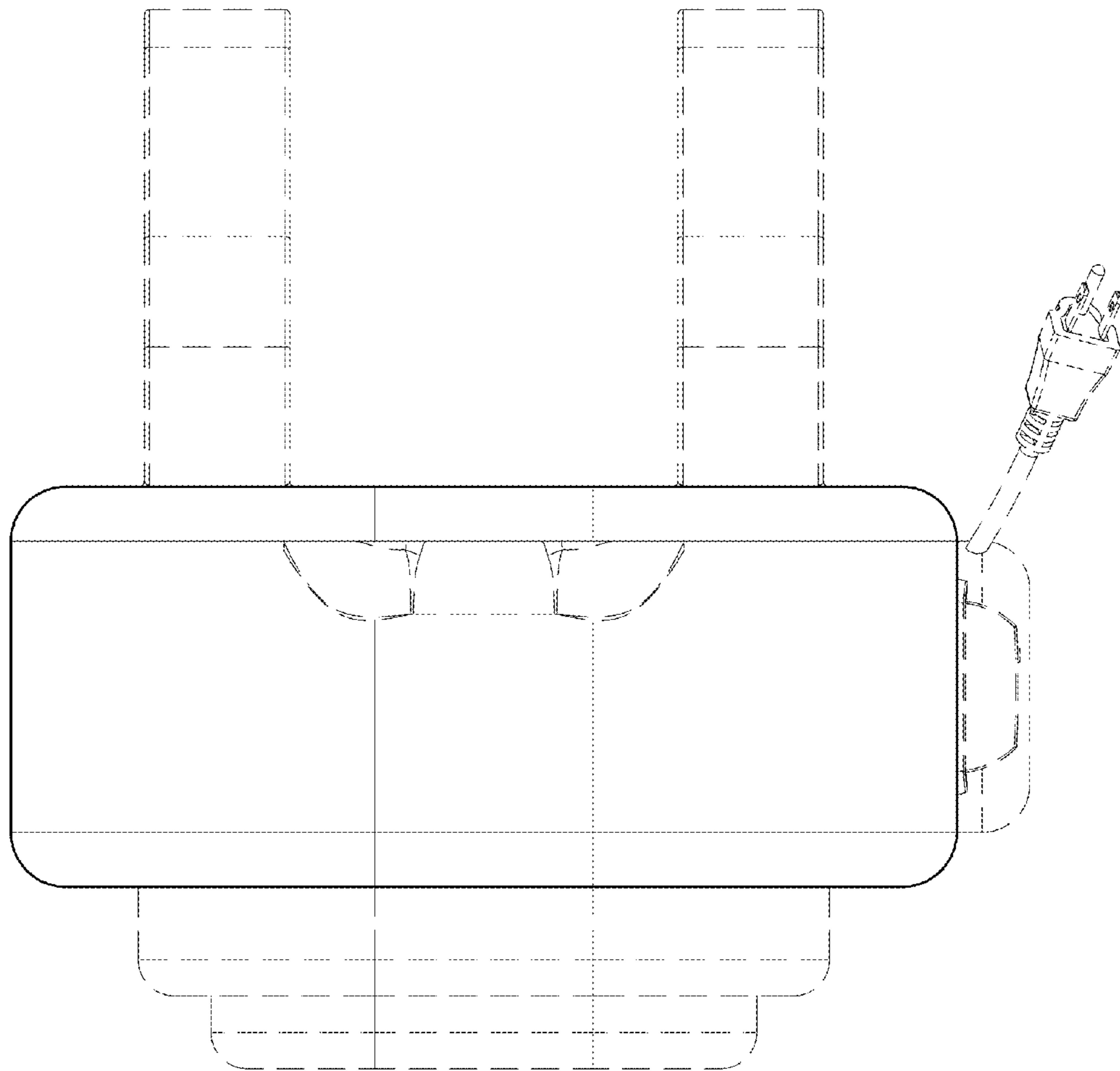
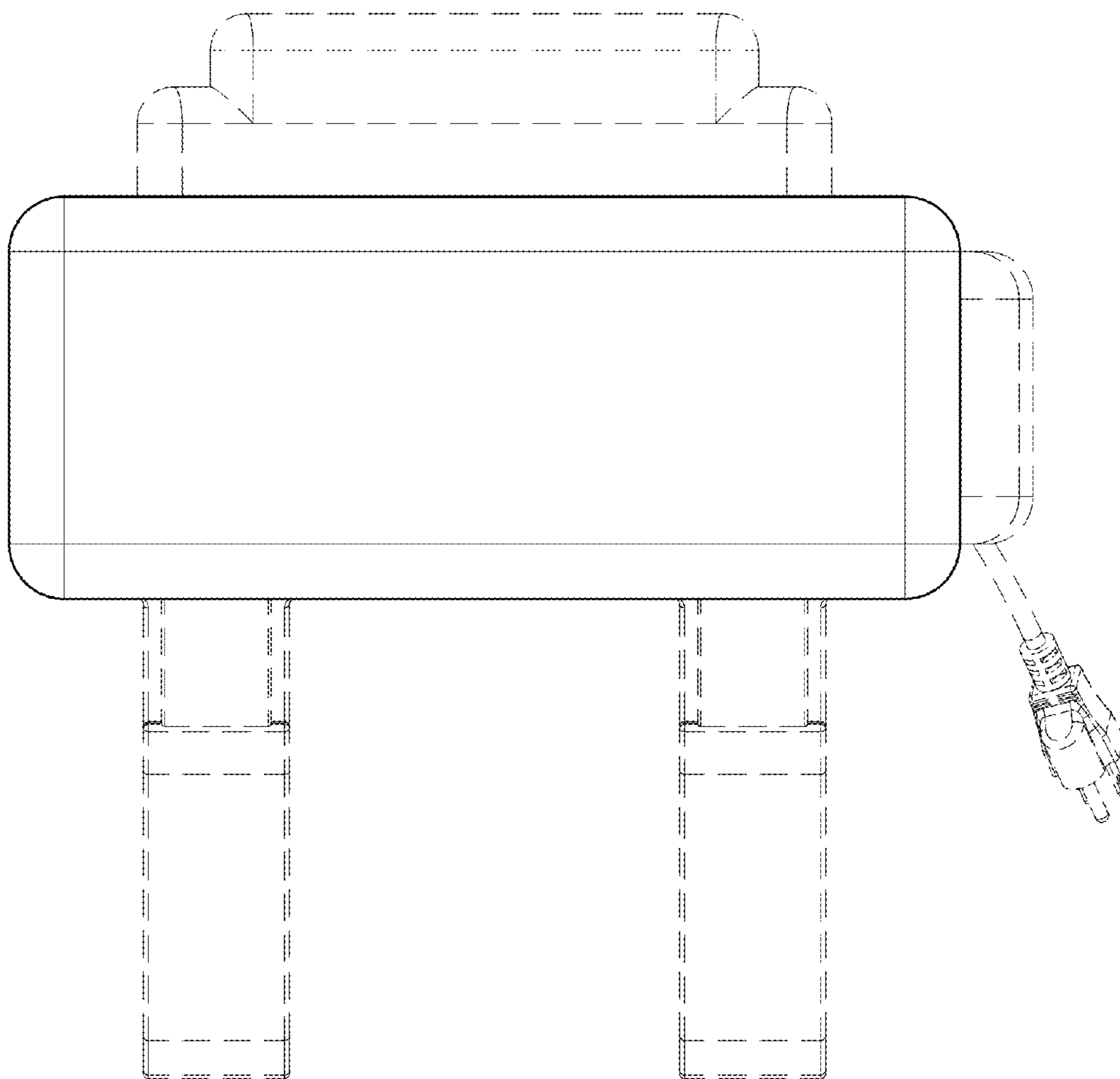


Fig. 14





**Fig. 15**



**Fig. 16**