



US00D731170S

(12) **United States Design Patent**
Priebe et al.

(10) **Patent No.:** **US D731,170 S**
(45) **Date of Patent:** **** Jun. 9, 2015**

(54) **VIAL**

(71) Applicant: **Apothecary Products, Inc.**, Burnsville, MN (US)

(72) Inventors: **Robert N. Priebe**, Bloomington, MN (US); **Terrance O. Noble**, Burnsville, MN (US)

(73) Assignee: **Apothecary Products, LLC**, Burnsville, MN (US)

(**) Term: **14 Years**

(21) Appl. No.: **29/448,643**

(22) Filed: **Mar. 13, 2013**

(51) **LOC (10) Cl.** **03-01**

(52) **U.S. Cl.**
USPC **D3/203.2**

(58) **Field of Classification Search**
USPC D3/203.1-205; D9/519, 558; 215/201, 215/207, 209, 216-217, 221, 224-225, 237, 215/304-305, 330, 392; 222/109, 571-572, 222/575; 220/210, DIG. 5
See application file for complete search history.

(56) **References Cited**

U.S. PATENT DOCUMENTS

2,244,625 A * 6/1941 King 215/304
2,664,230 A * 12/1953 Heim 222/571

(Continued)

OTHER PUBLICATIONS

Photographs of commercial products, identified in Exhibits A, B, C, and D; each of the commercial products being in existence before Jun. 5, 2008.

Primary Examiner — Catheri Oliver-Garcia

(74) *Attorney, Agent, or Firm* — Merchant & Gould P.C.

(57) **CLAIM**

The ornamental design for vial, as shown and described.

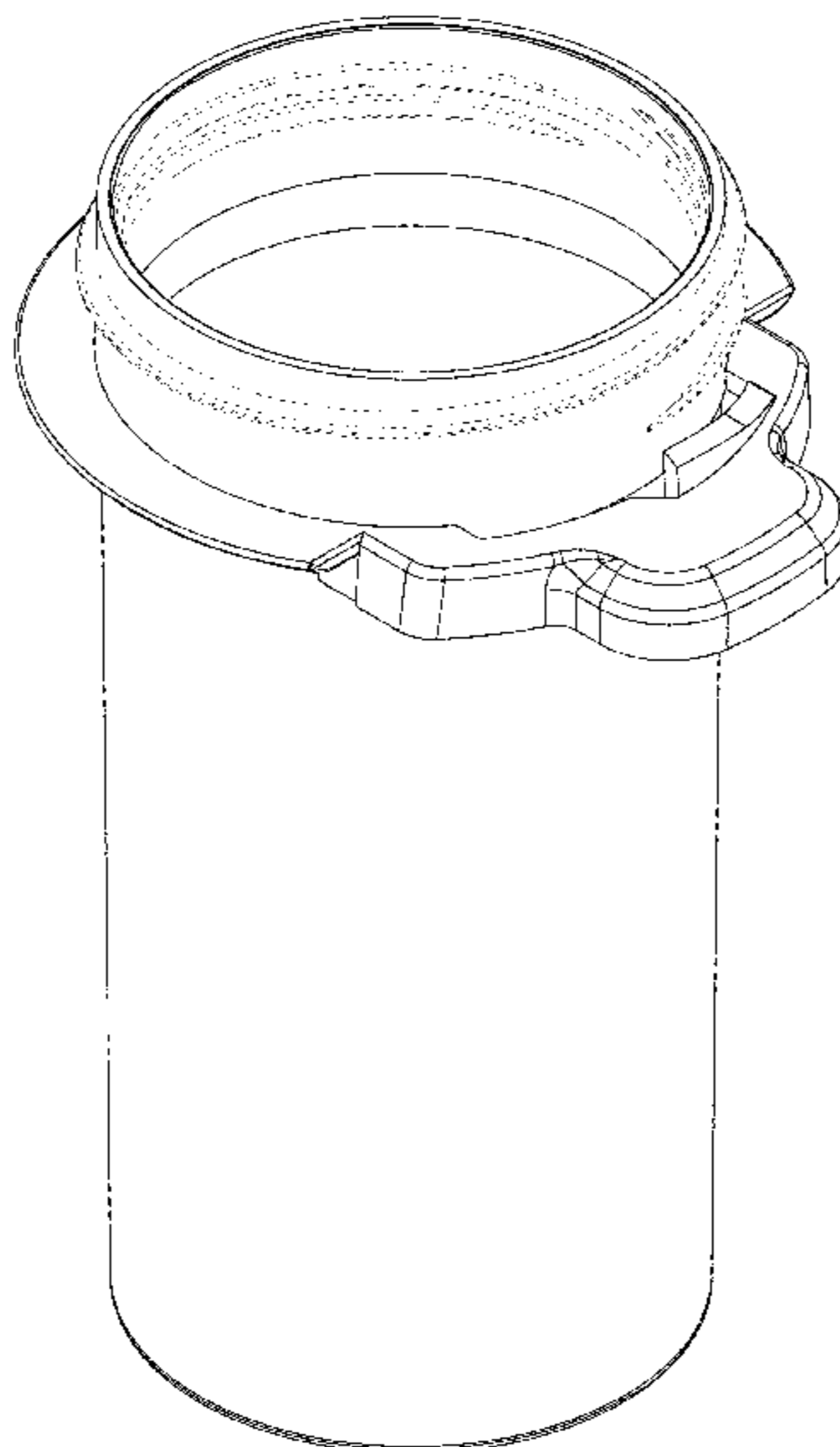
DESCRIPTION

FIG. 1 is a perspective view of a first embodiment of a vial, according to our new design, the features shown in broken lines forming no part of the design sought to be patented; FIG. 2 is a front view thereof, the portions shown in broken lines forming no part of the design sought to be patented; FIG. 3 is a rear view thereof, the portions shown in broken lines forming no part of the design sought to be patented; FIG. 4 is a left view thereof, the portions shown in broken lines forming no part of the design sought to be patented; FIG. 5 is a right view thereof, the portions shown in broken lines forming no part of the design sought to be patented; FIG. 6 is a top view thereof, the portions shown in broken lines forming no part of the design sought to be patented; and FIG. 7 is a bottom view thereof.

FIG. 8 is a top perspective view of a second embodiment of a vial, according to our new design, the features shown in broken lines forming no part of the design sought to be patented;

FIG. 9 is a front view thereof, the portions shown in broken lines forming no part of the design sought to be patented; FIG. 10 is a rear view thereof, the portions shown in broken lines forming no part of the design sought to be patented; FIG. 11 is a left view thereof, the portions shown in broken lines forming no part of the design sought to be patented; FIG. 12 is a right view thereof, the portions shown in broken lines forming no part of the design sought to be patented; FIG. 13 is a top view thereof, the portions shown in broken lines forming no part of the design sought to be patented; FIG. 14 is a bottom view thereof; and, FIG. 15 is a bottom perspective view thereof.

1 Claim, 9 Drawing Sheets



(56)

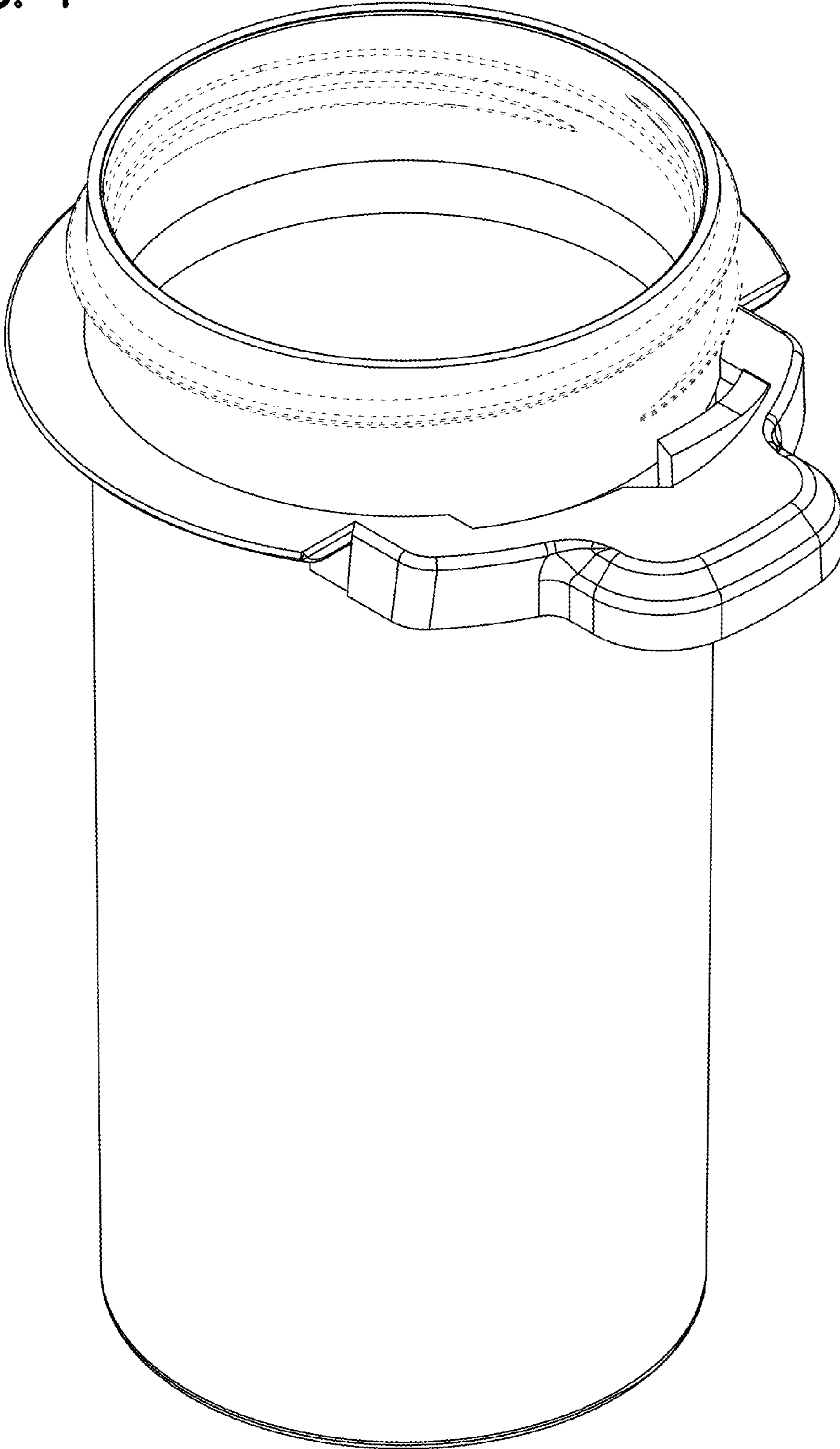
References Cited

U.S. PATENT DOCUMENTS

2,789,740 A *	4/1957	Pellett	222/571	5,899,348 A	5/1999	Konefal et al.	
3,884,379 A	5/1975	Landen		6,039,195 A	3/2000	Konefal et al.	
4,103,797 A	8/1978	Morris		6,076,689 A	6/2000	Vassallo	
4,852,751 A	8/1989	Halfacre		6,327,770 B1	12/2001	Konefal et al.	
5,181,630 A *	1/1993	McNally	222/109	6,508,373 B1	1/2003	Robinson	
5,207,341 A	5/1993	Yeager		7,823,736 B1	11/2010	Pugne et al.	
5,711,442 A	1/1998	Kusz		7,942,280 B2	5/2011	Priebe et al.	
5,740,933 A	4/1998	Conti et al.		8,235,233 B2 *	8/2012	Pehr	215/237
5,836,466 A	11/1998	Briere et al.		2002/0166834 A1	11/2002	Branson et al.	
				2006/0070970 A1	4/2006	Shingle	
				2007/0062901 A1	3/2007	Konefal	

* cited by examiner

FIG. 1



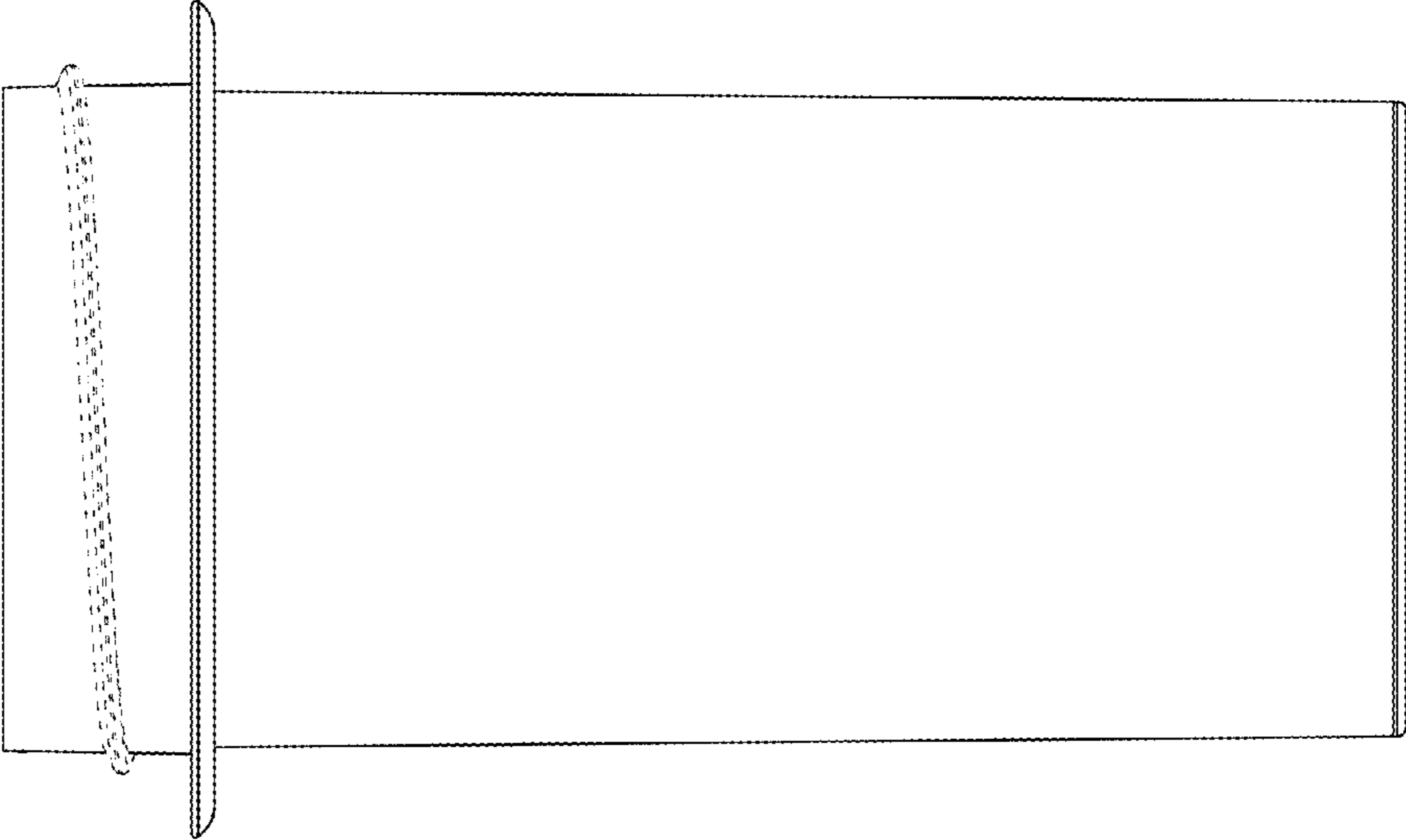


FIG. 3

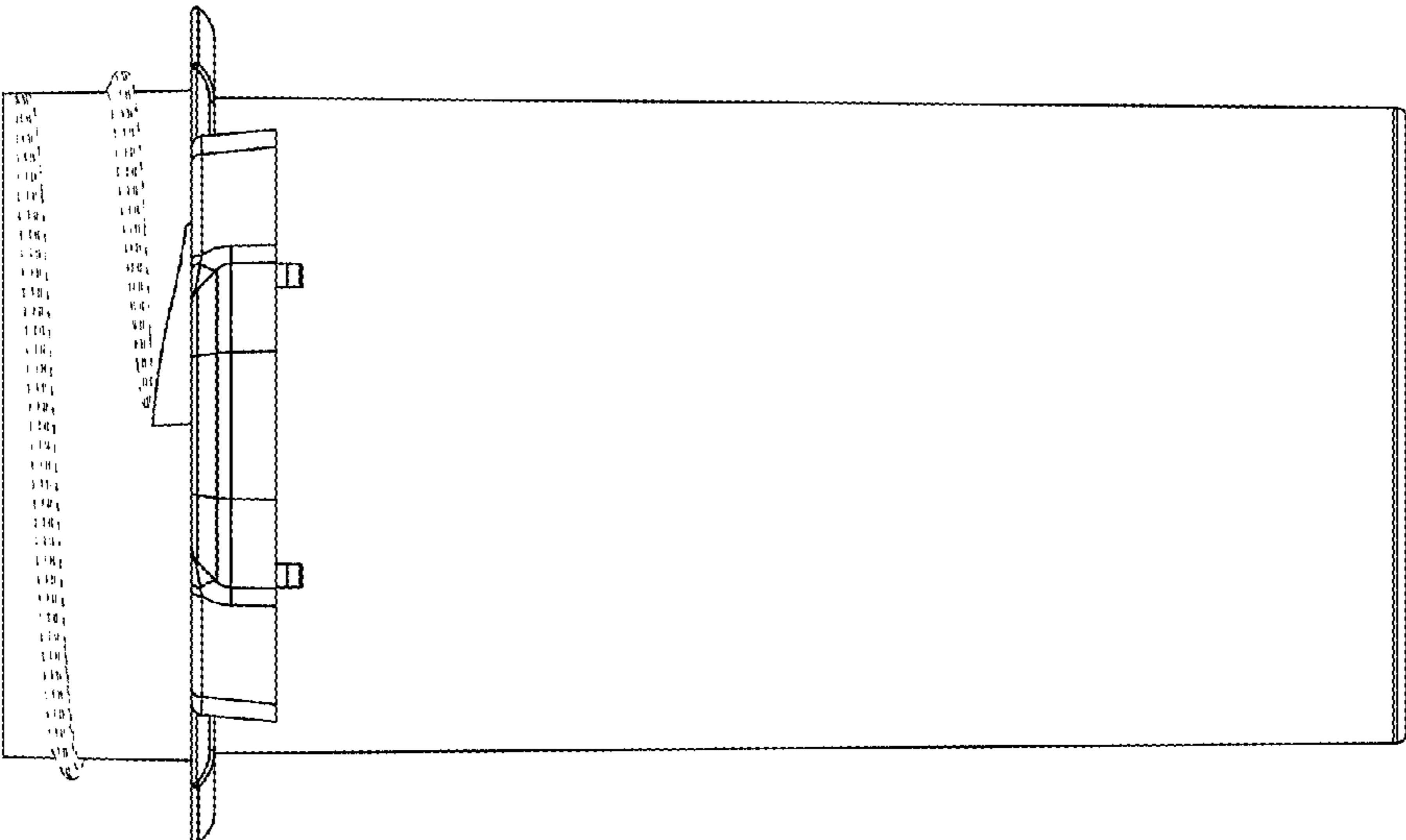


FIG. 2

FIG. 5

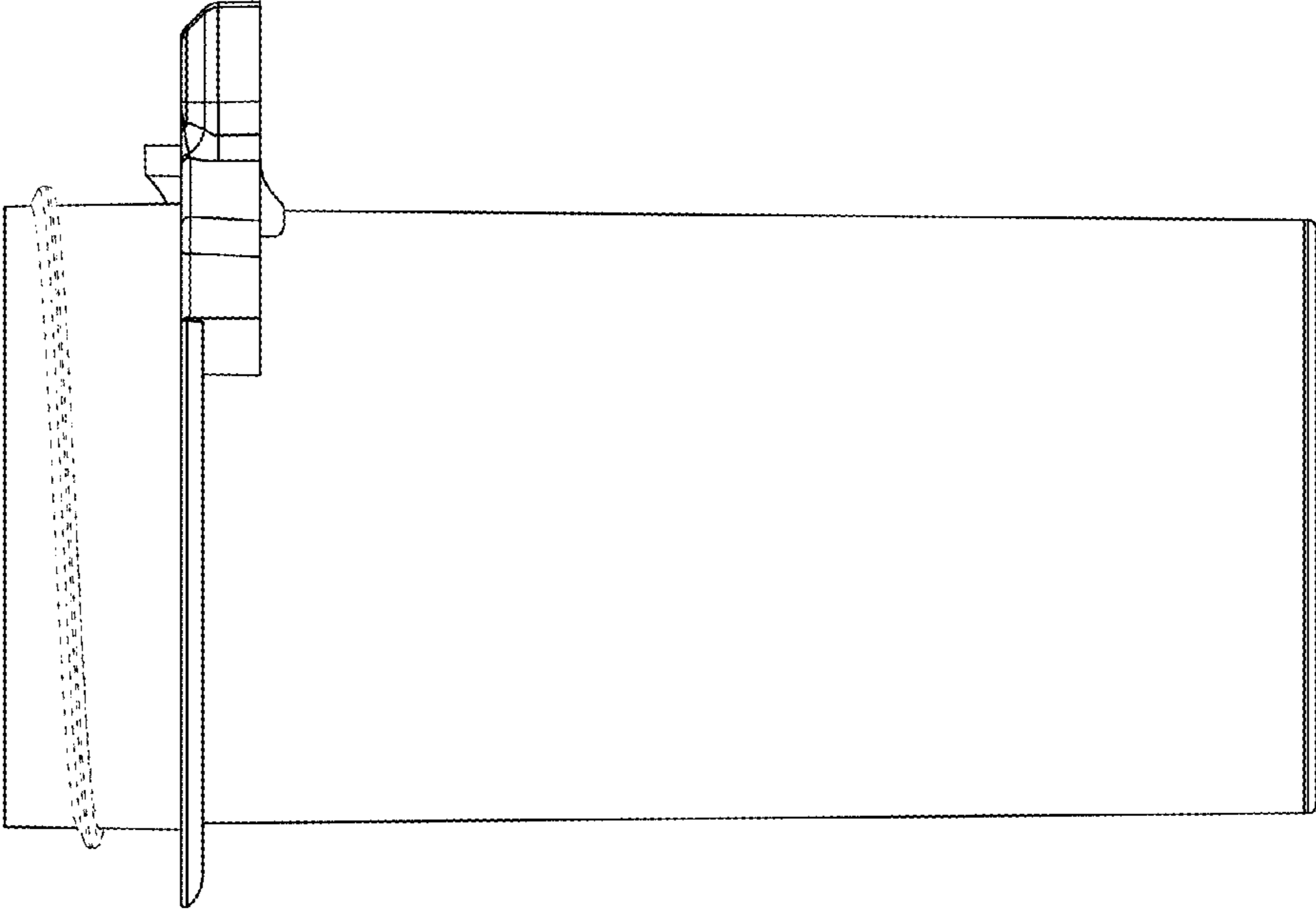


FIG. 4

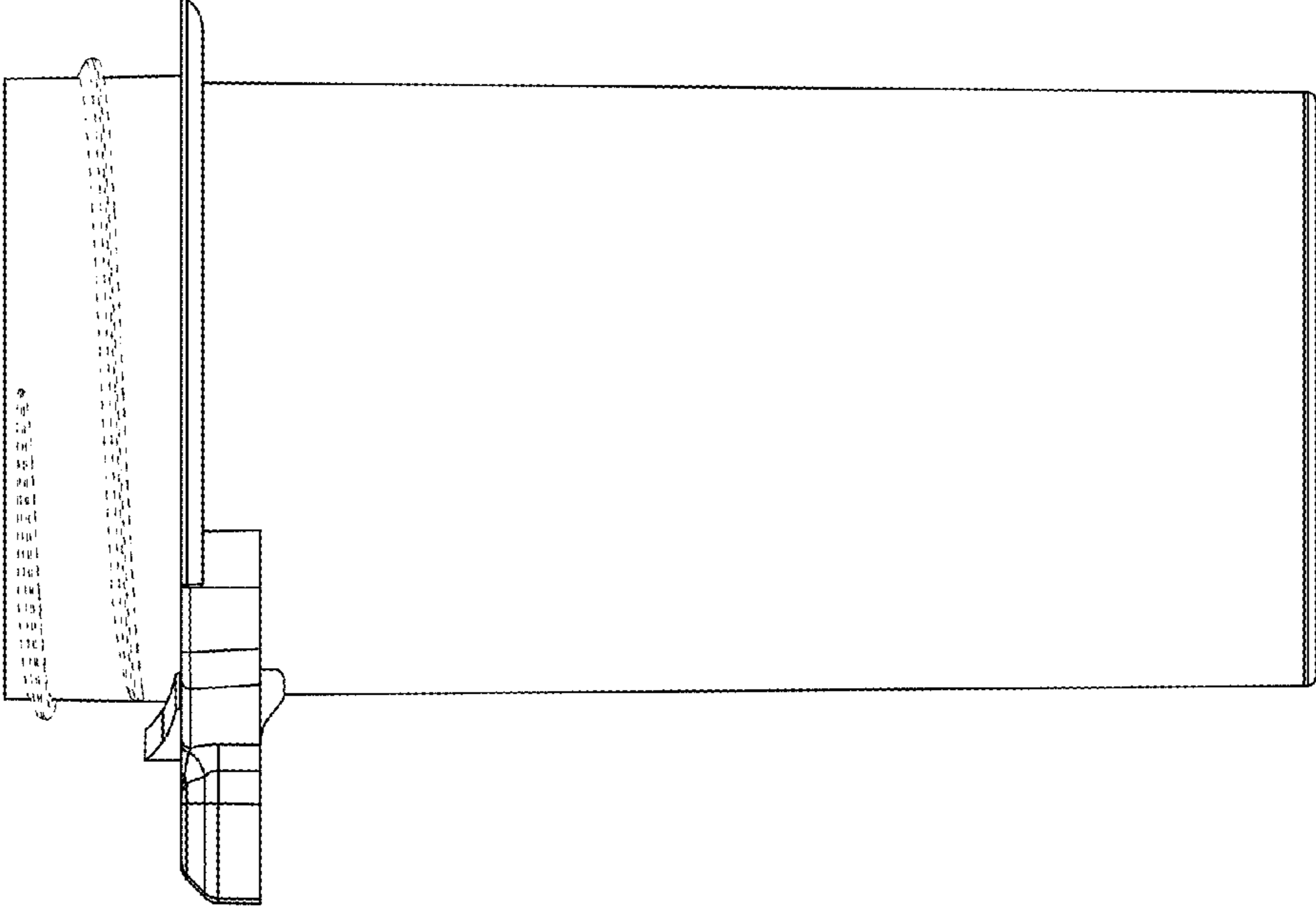


FIG. 6

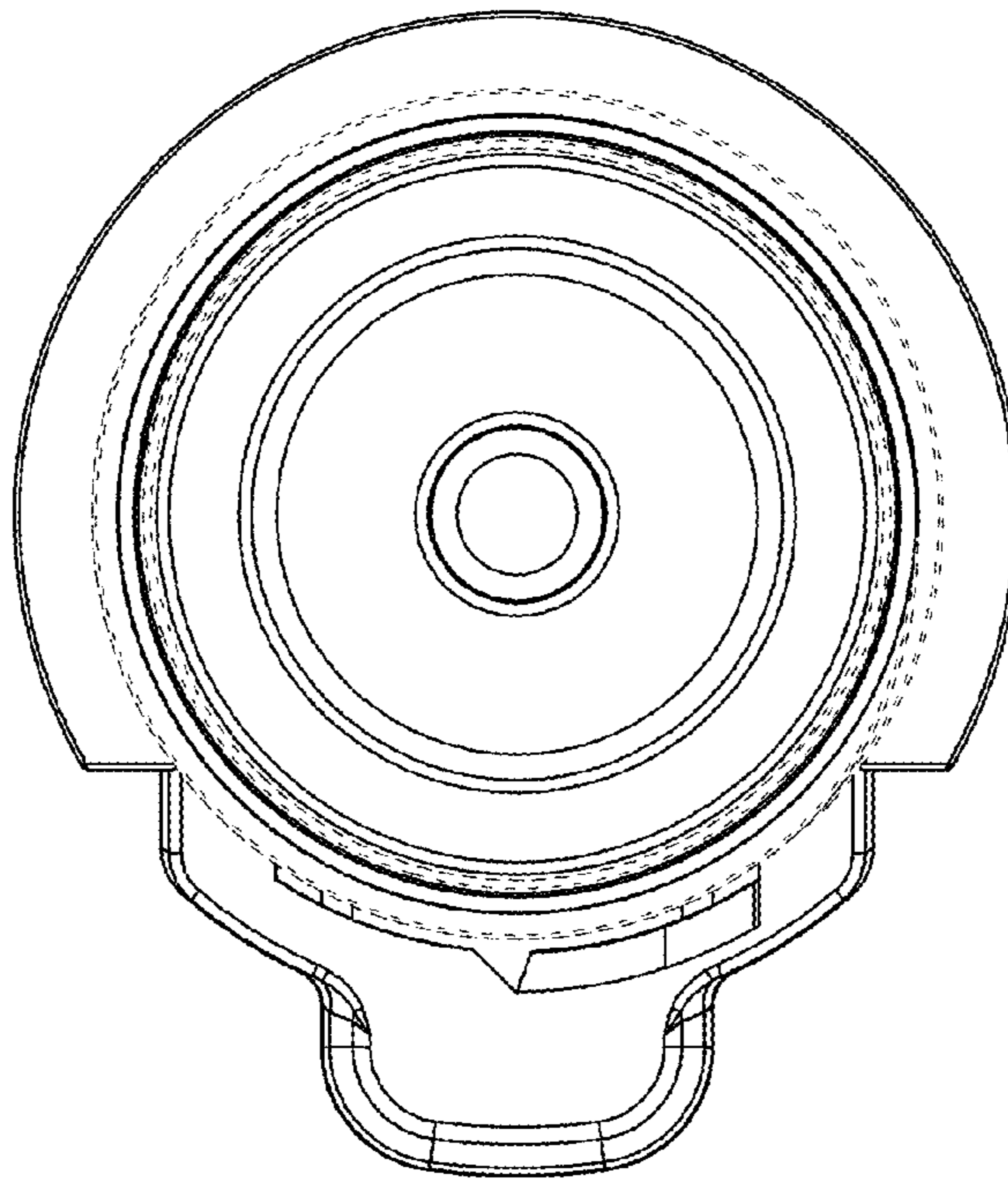


FIG. 7

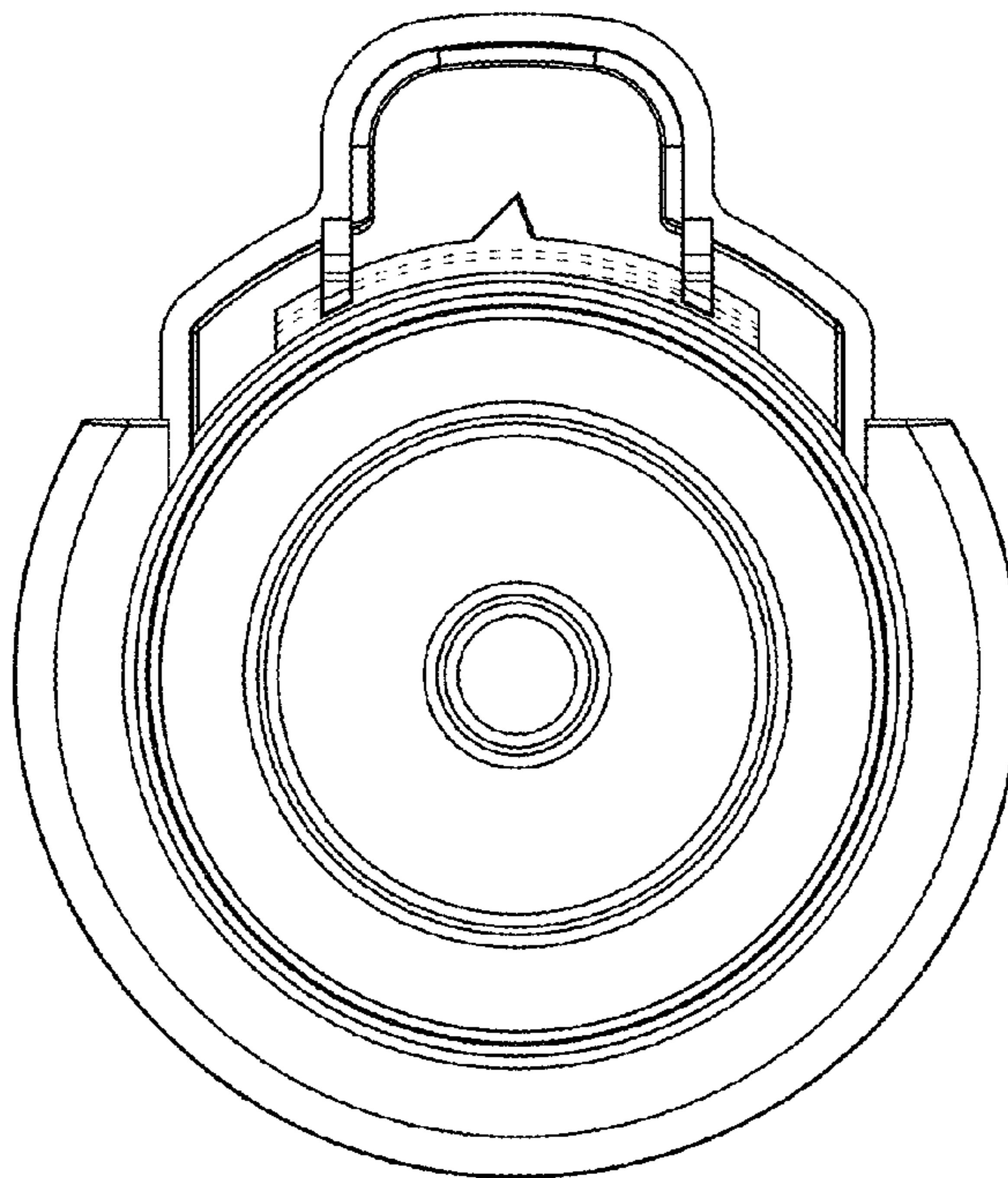
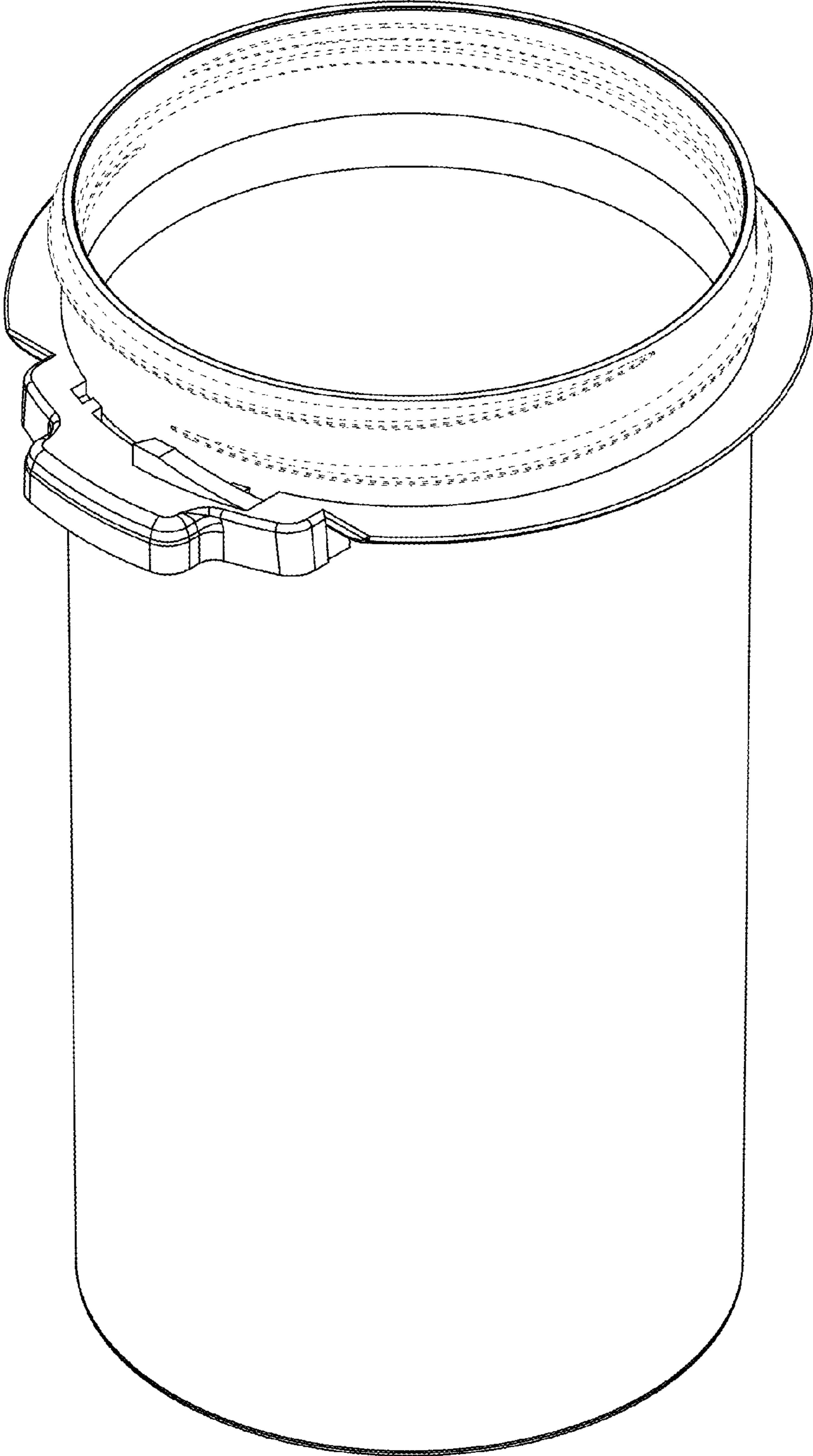


FIG. 8



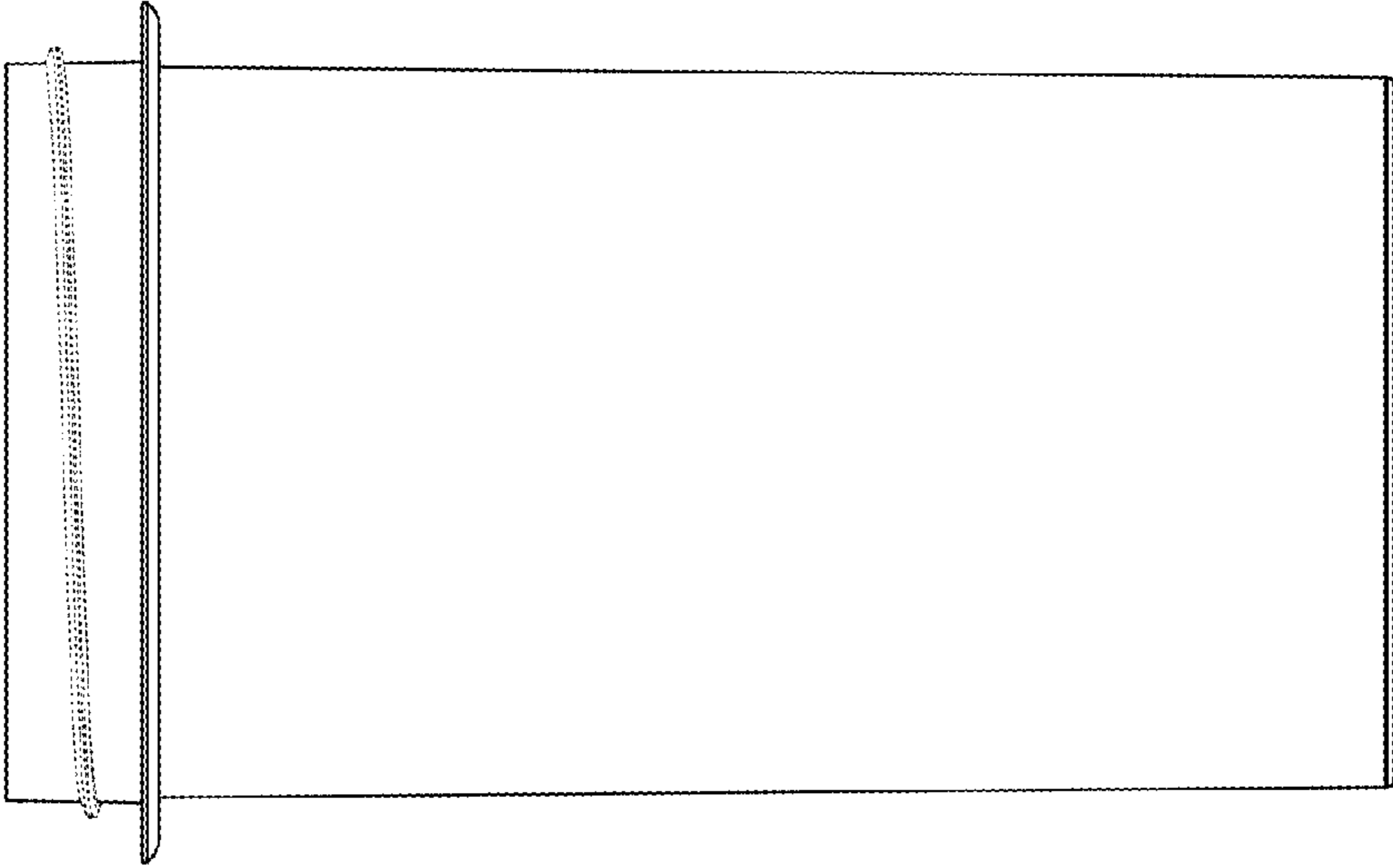


FIG. 10

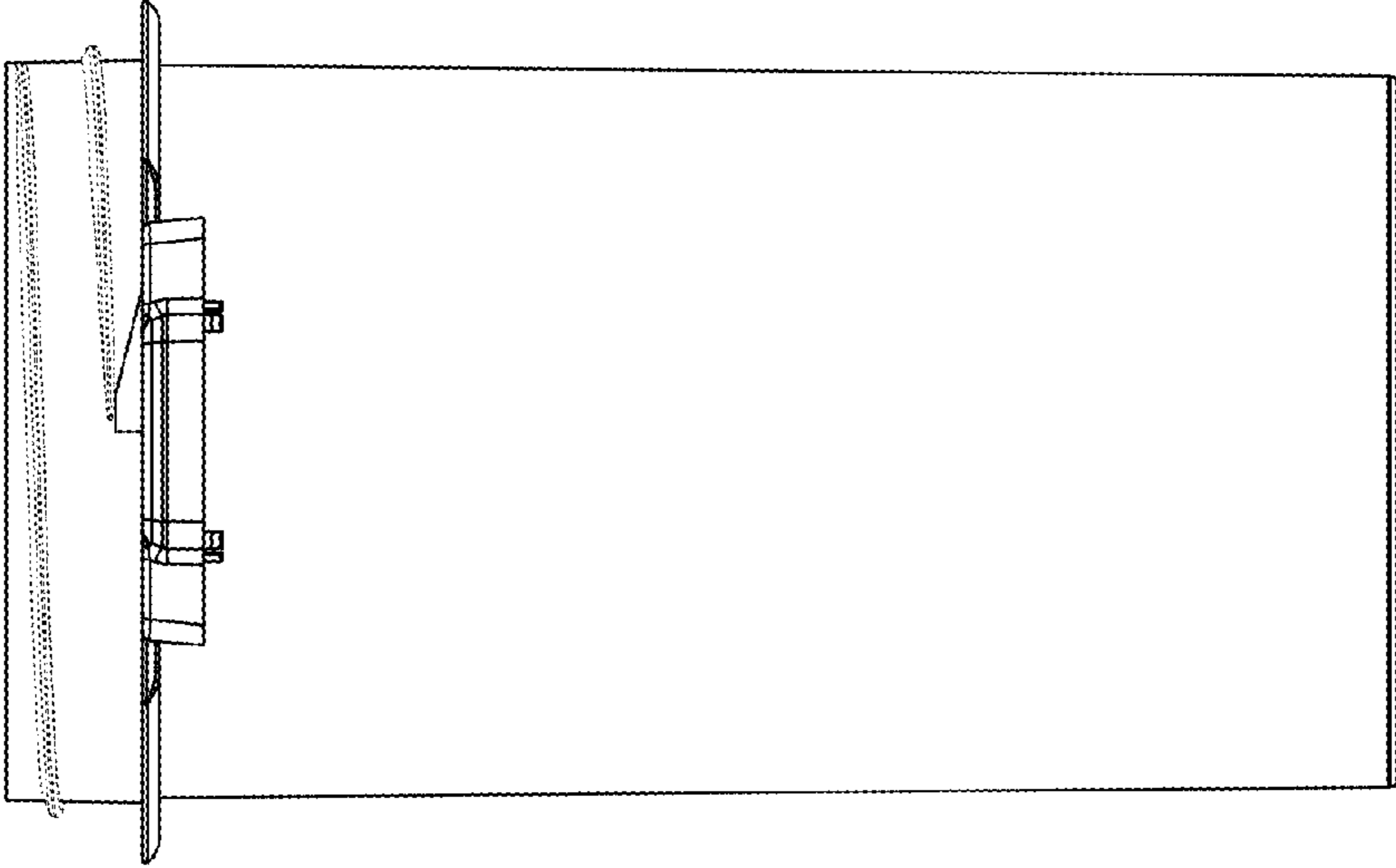


FIG. 9

FIG. 12

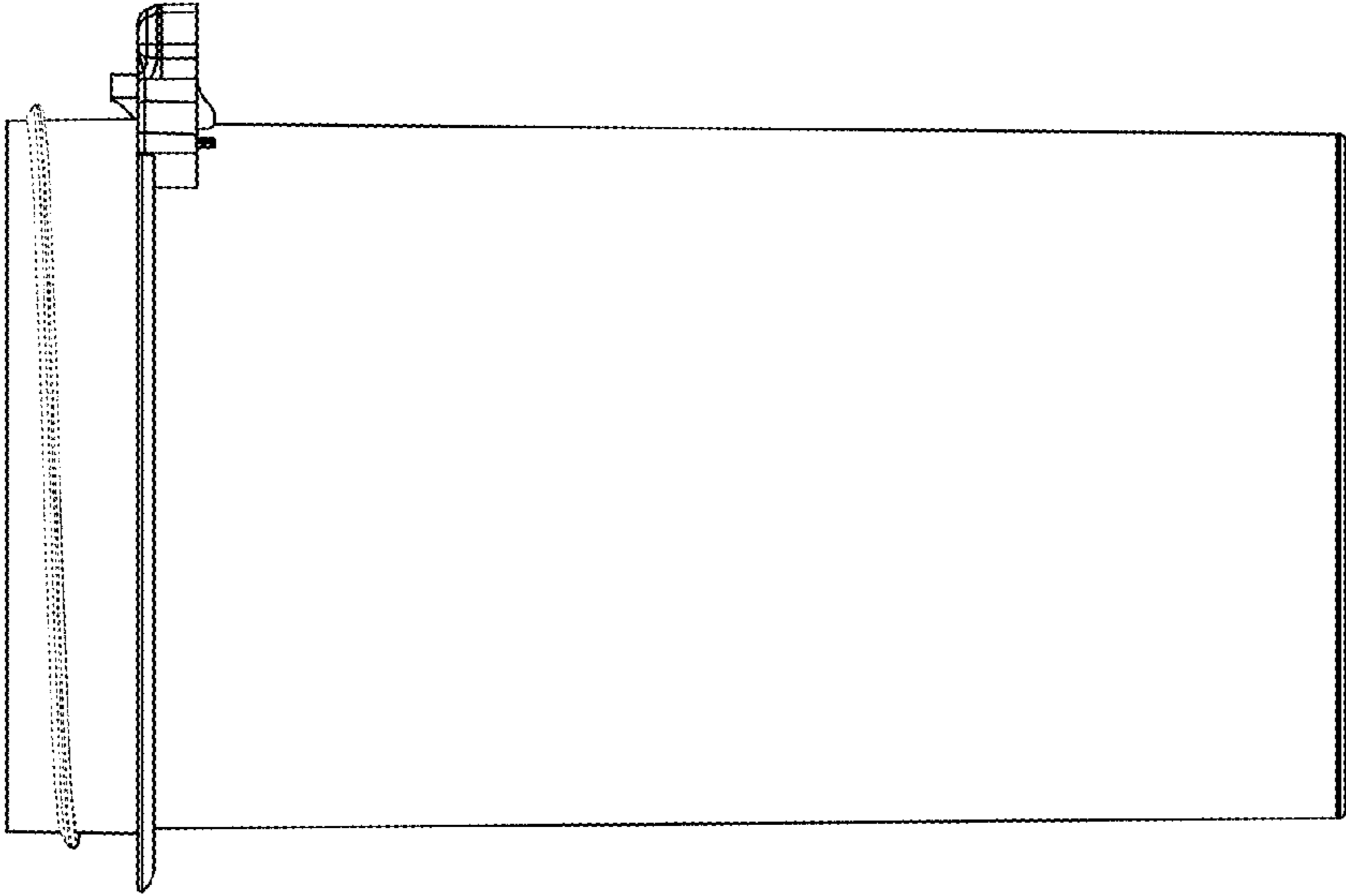


FIG. 11

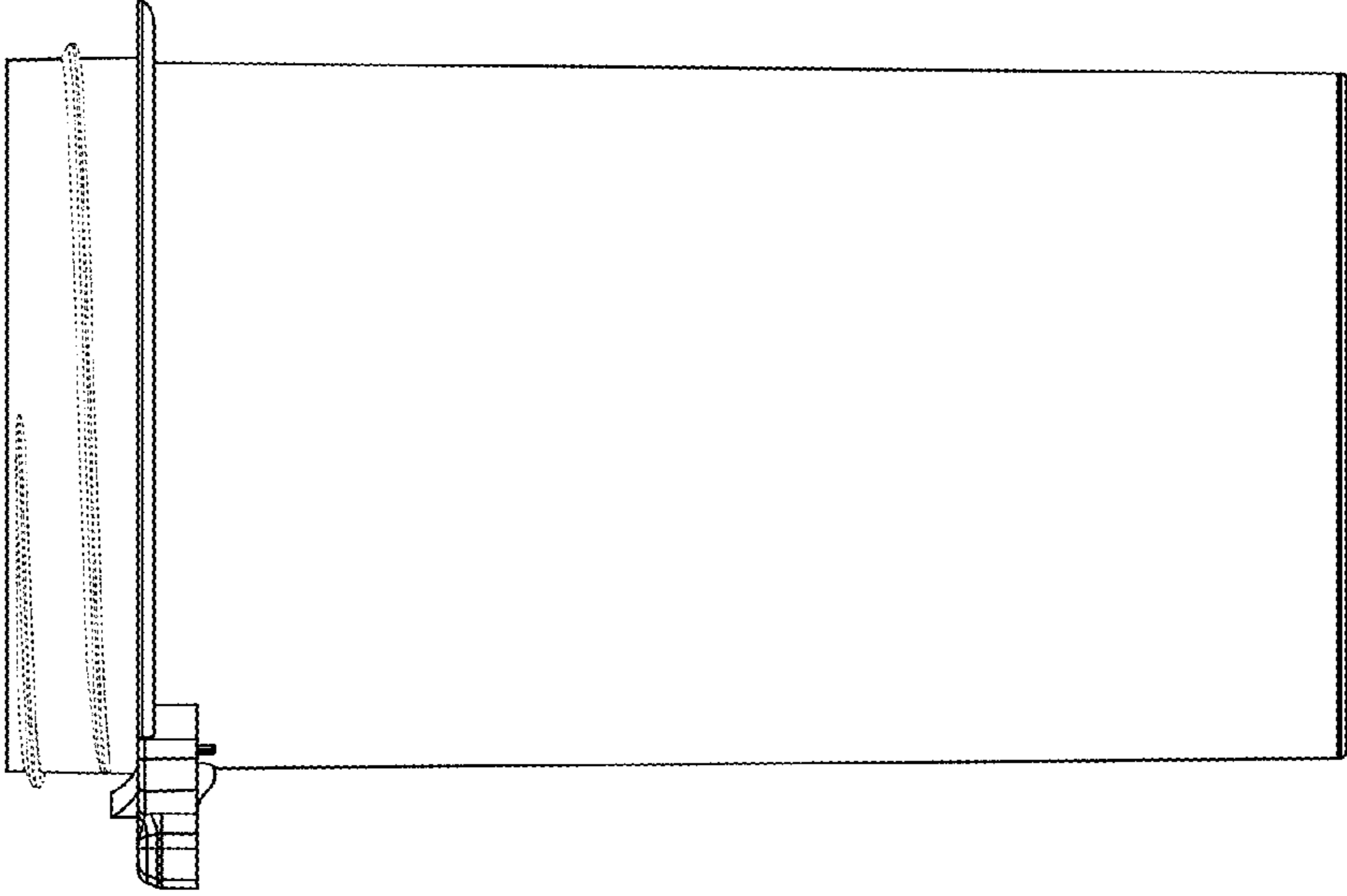


FIG. 13

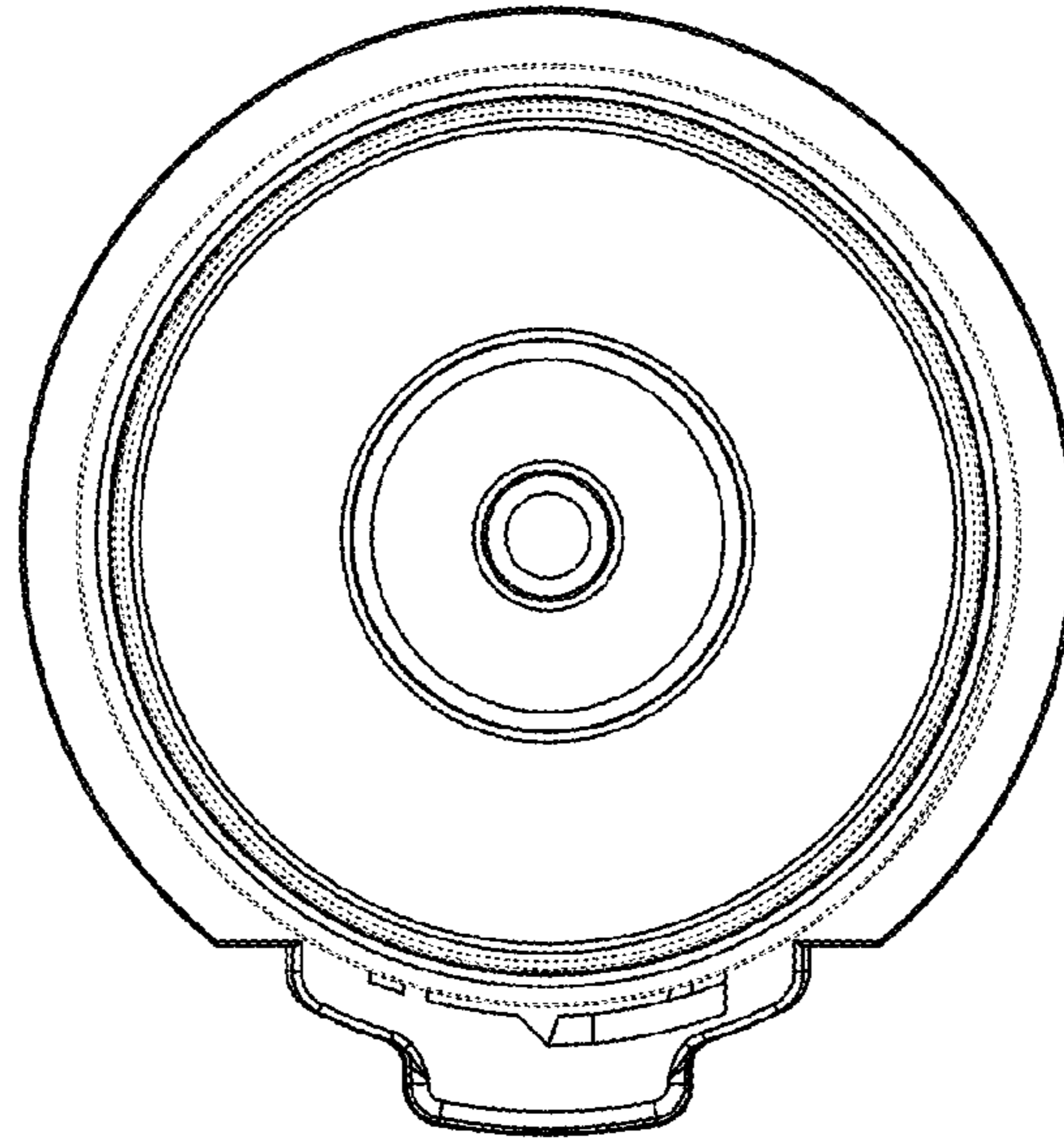


FIG. 14

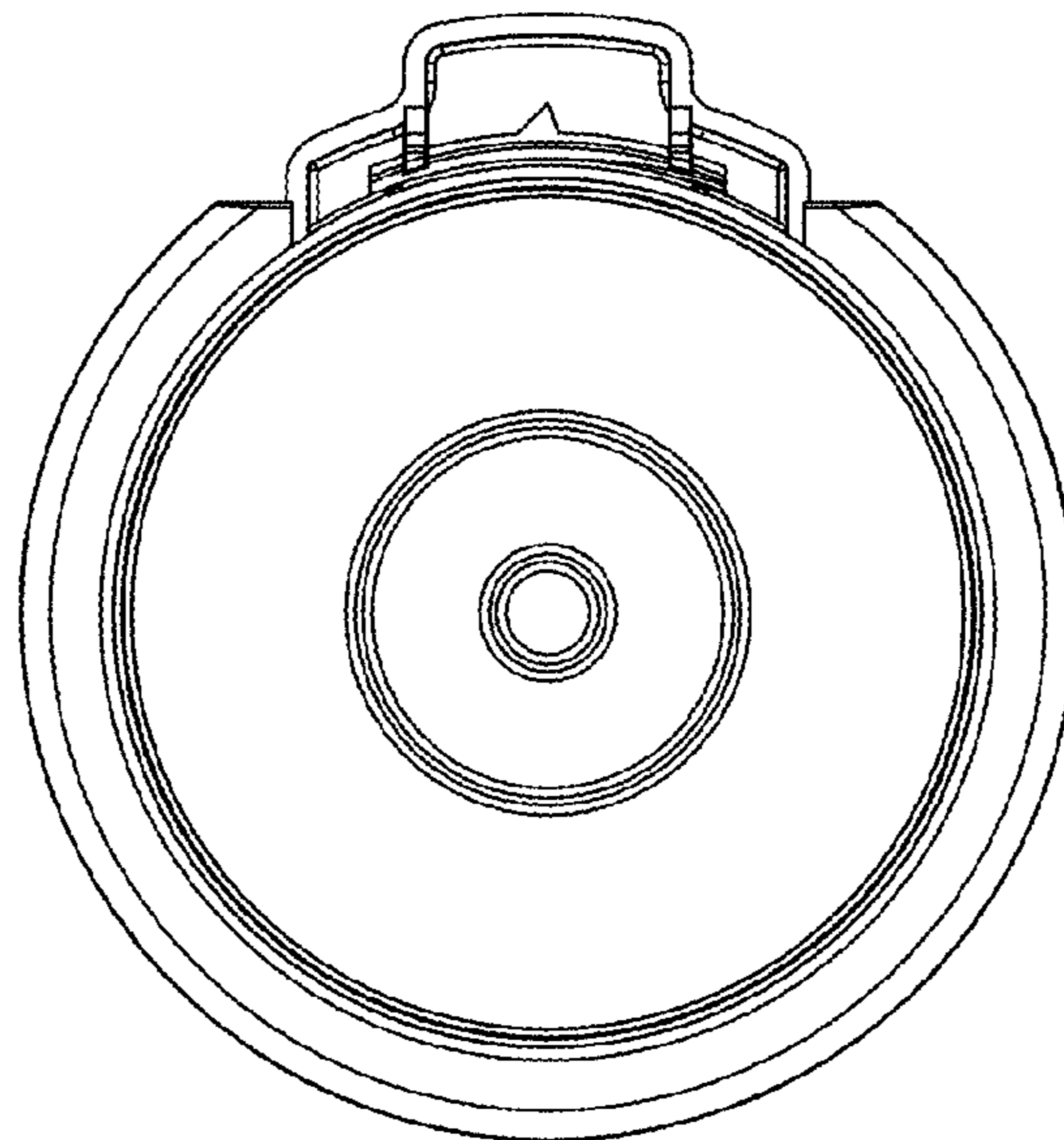


FIG. 15

