



US00D731169S

(12) **United States Design Patent**
Sakaguchi et al.

(10) **Patent No.:** **US D731,169 S**
(45) **Date of Patent:** **** Jun. 9, 2015**

(54) **STORAGE CONTAINER FOR STORING A DENTAL IMPLANT FIXTURE**

(71) Applicant: **GC CORPORATION**, Bunkyo-ku (JP)

(72) Inventors: **Yoshihiro Sakaguchi**, Itabashi-ku (JP);
Seiko Muraoka, Itabashi-ku (JP); **Kinya Nihei**, Itabashi-ku (JP)

(73) Assignee: **GC CORPORATION**, Bunkyo-ku (JP)

(**) Term: **14 Years**

(21) Appl. No.: **29/468,303**

(22) Filed: **Sep. 27, 2013**

(30) **Foreign Application Priority Data**

Mar. 29, 2013 (JP) 2013-007203

(51) **LOC (10) Cl.** **03-01**

(52) **U.S. Cl.**
USPC **D3/203.1**

(58) **Field of Classification Search**
USPC D3/201-205; D24/155-156, 176, 180,
D24/182, 177, 108; 206/63.5, 438-439,
206/524.6, 586, 588, 339, 570; 433/9-10,
433/172-174, 180-184, 201.1; 606/74,
606/304; 623/66.1

See application file for complete search history.

(56) **References Cited**

U.S. PATENT DOCUMENTS

5,368,160 A * 11/1994 Leuschen et al. 206/339
5,558,230 A * 9/1996 Fischer et al. 206/570
8,181,773 B2 * 5/2012 Guenter et al. 206/63.5
D664,659 S * 7/2012 Gunthart et al. D24/156

* cited by examiner

Primary Examiner — Catheri Oliver-Garcia

(74) *Attorney, Agent, or Firm* — Oblon, McClelland, Maier & Neustadt, L.L.P.

(57) **CLAIM**

The ornamental design for a storage container for storing a dental implant fixture, as shown and described.

DESCRIPTION

FIG. 1 is a front view of a storage container for storing a dental implant fixture showing our new design;

FIG. 2 is a rear view thereof;

FIG. 3 is a right side view thereof;

FIG. 4 is a left side view thereof;

FIG. 5 is a plan view thereof;

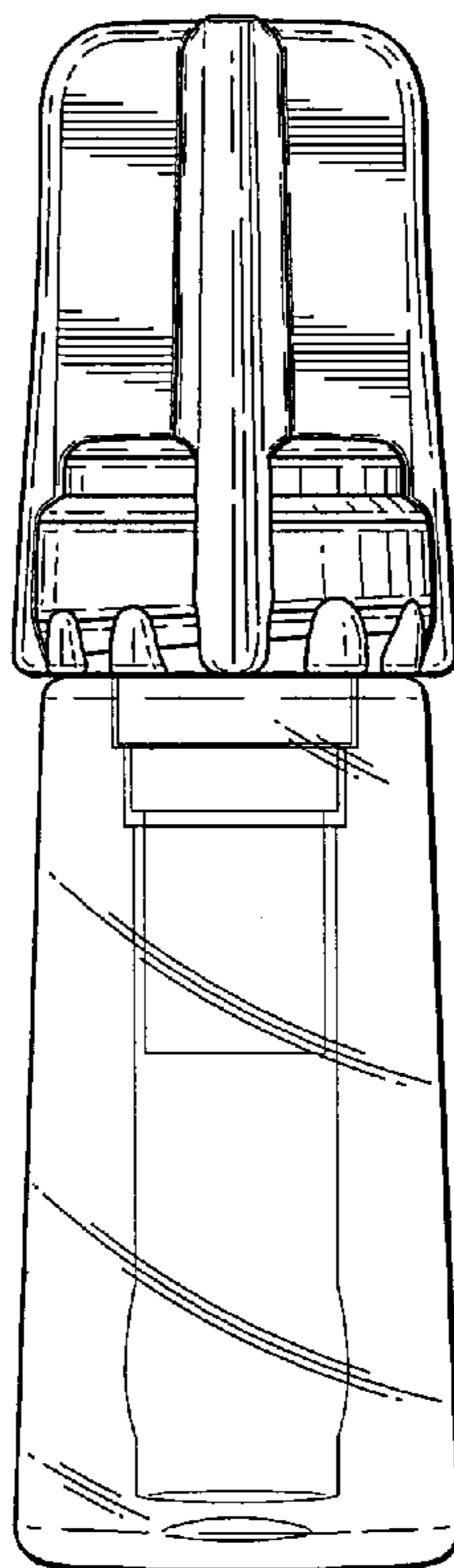
FIG. 6 is a bottom view thereof;

FIG. 7 is a reference perspective view illustrating a state in which the cap member is removed from the storage container body thereof;

FIG. 8 is a reference perspective view illustrating a state in which the implant fixture is stored thereof; and,

FIG. 9 is an exploded view of the components including the implant fixture.

1 Claim, 8 Drawing Sheets



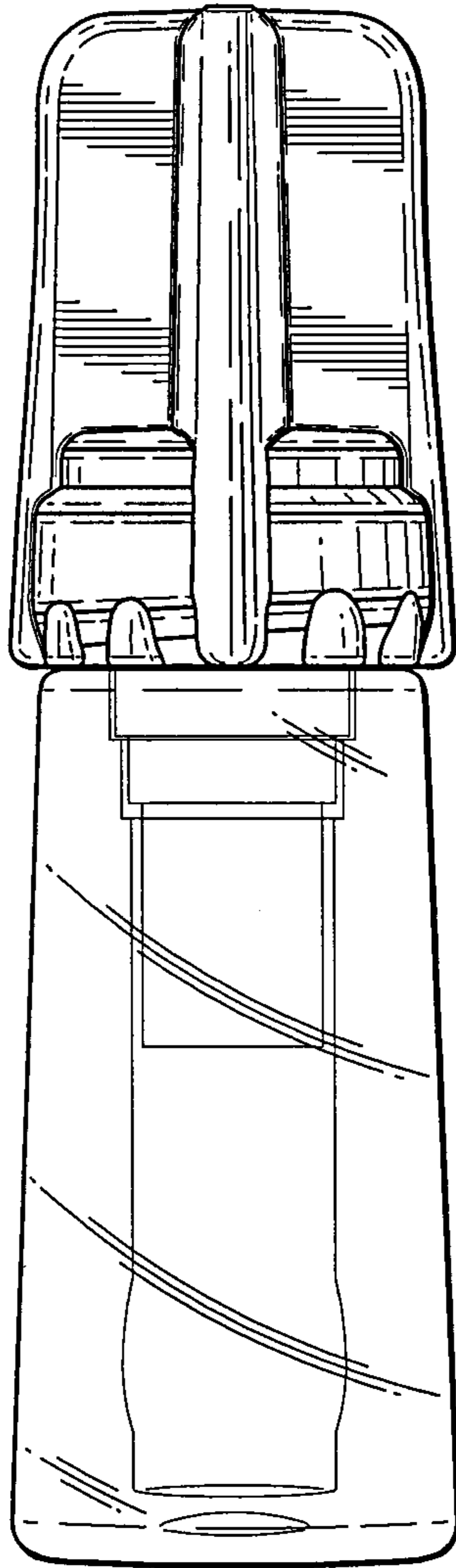


Fig. 1

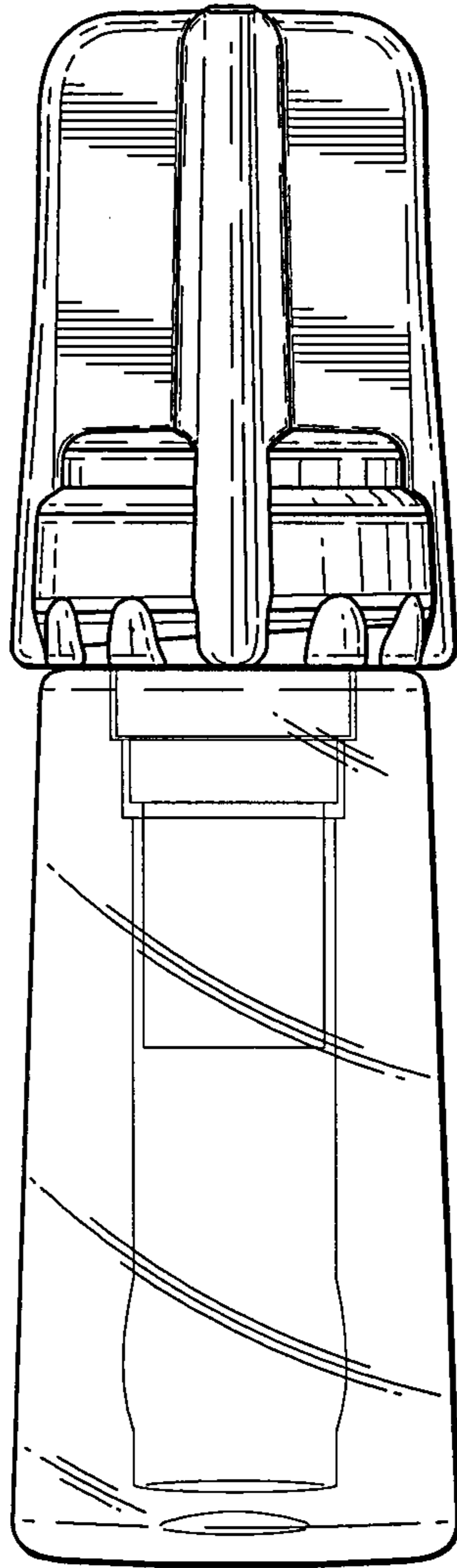


Fig. 2

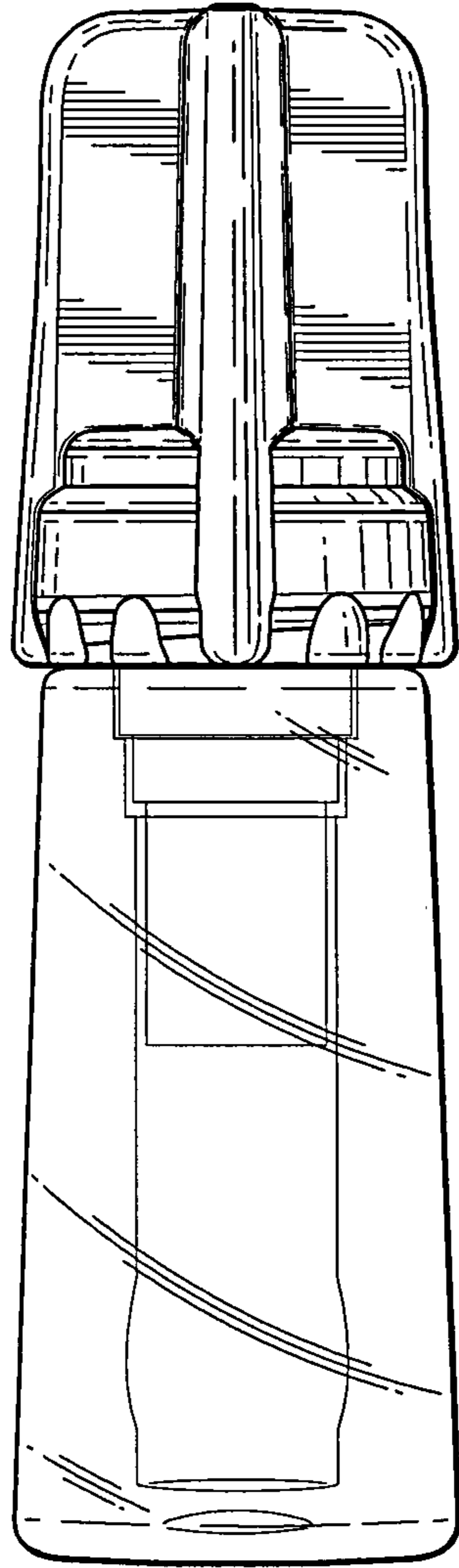


Fig. 3

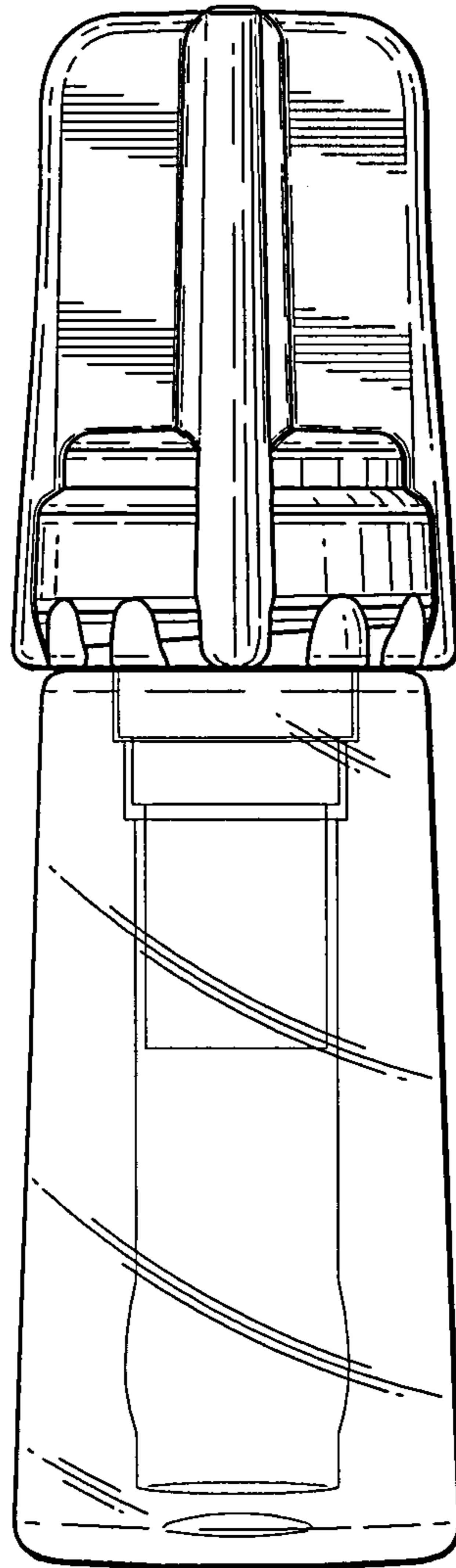


Fig. 4

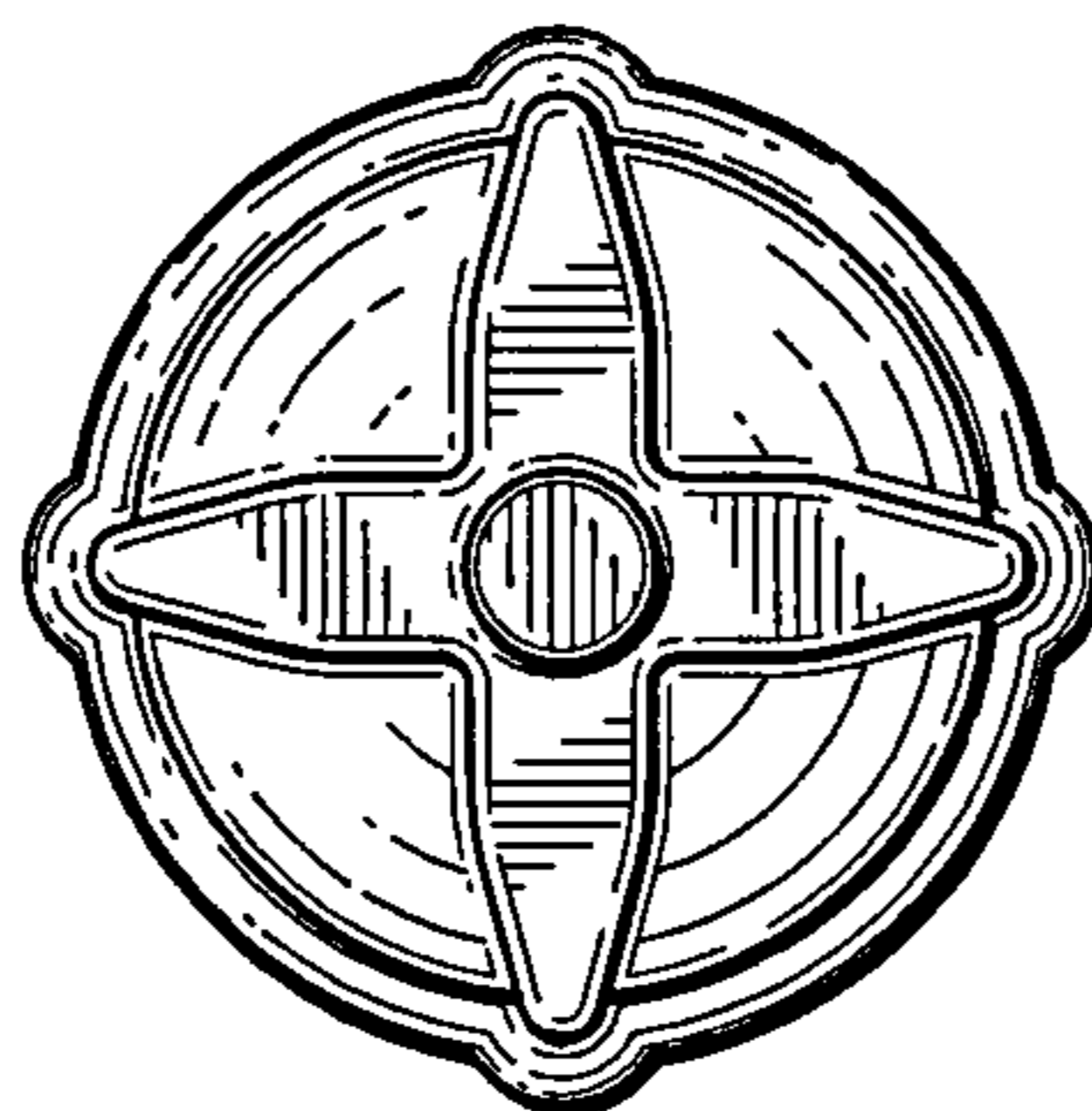


Fig. 5

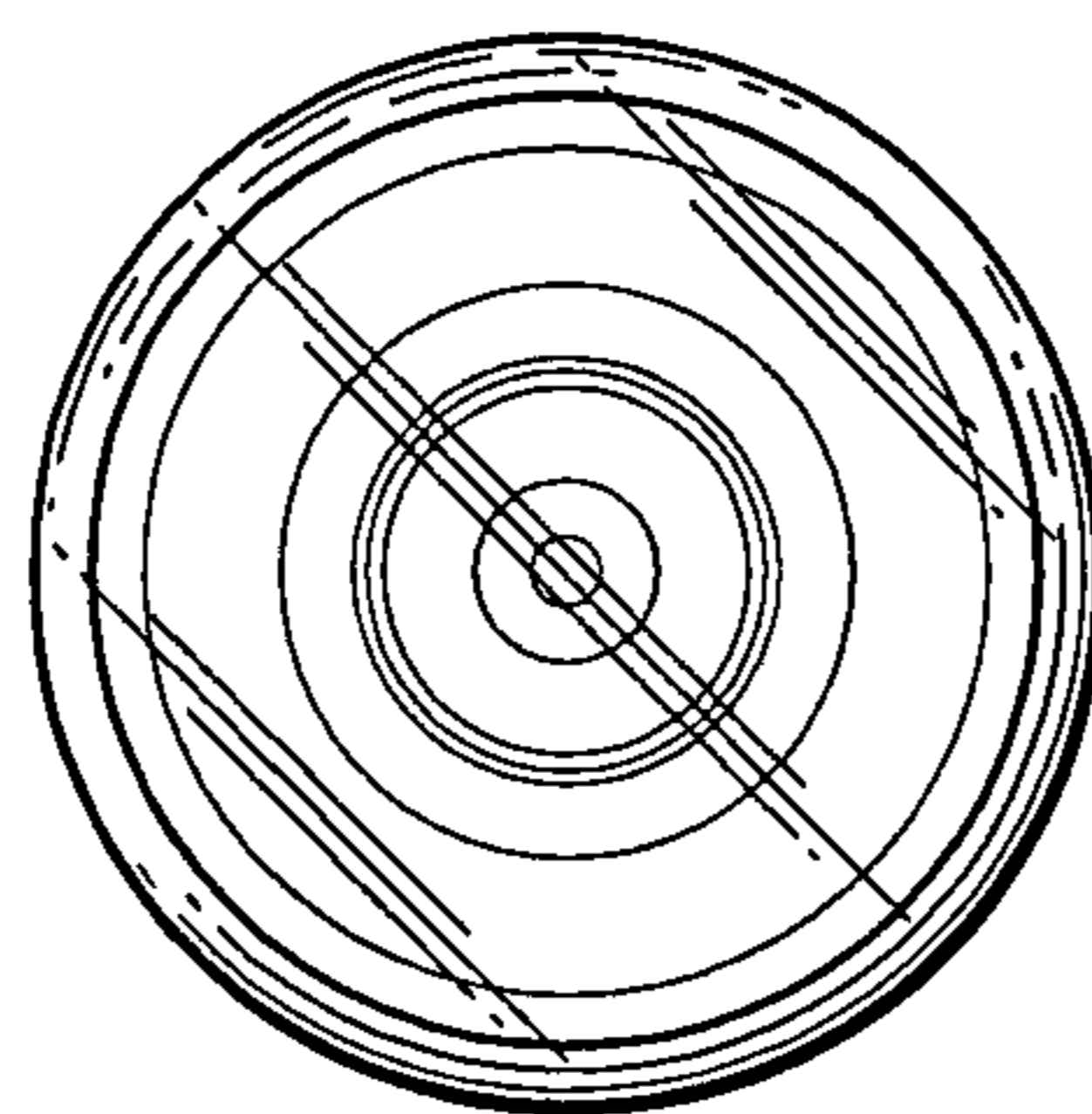


Fig. 6

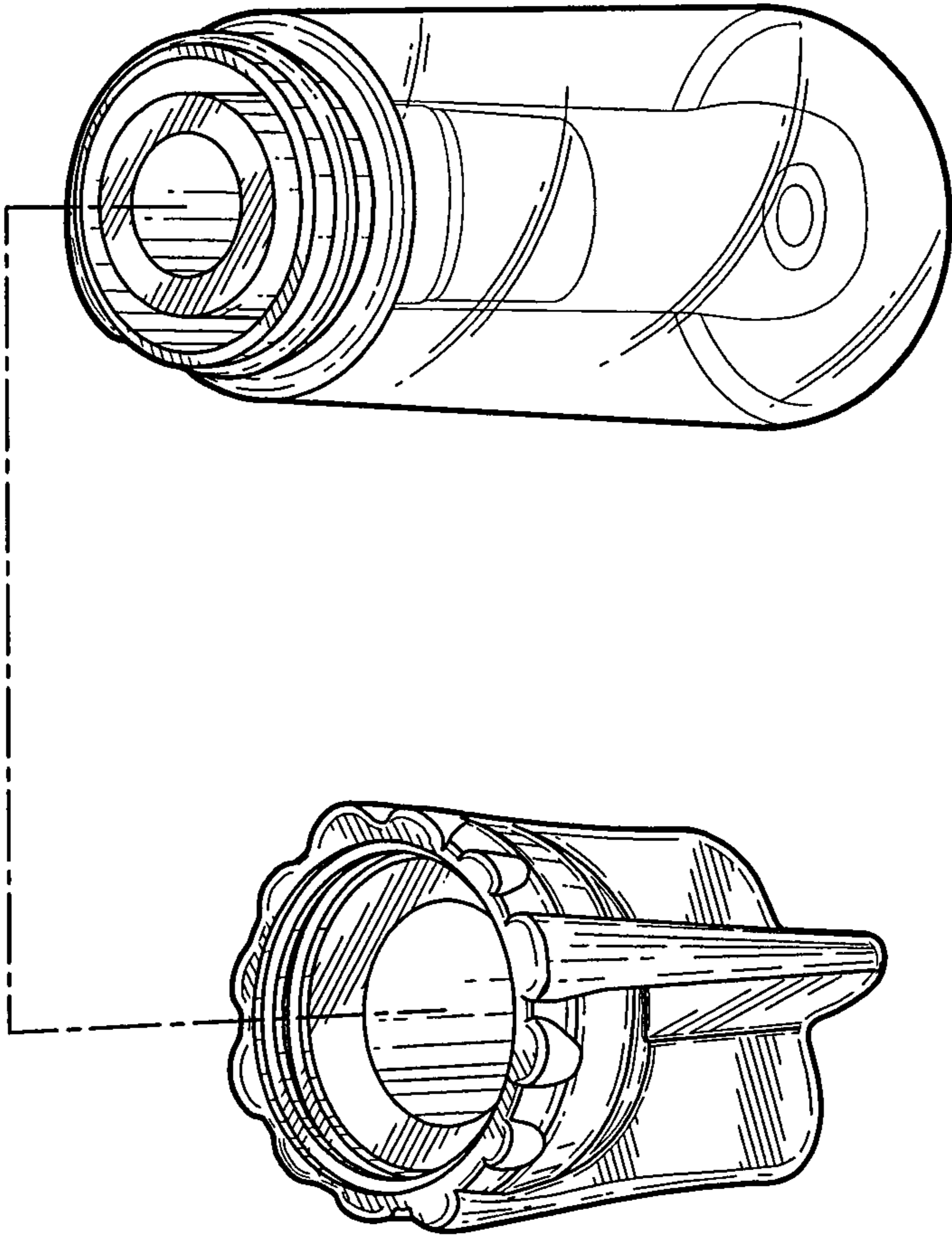


Fig. 7

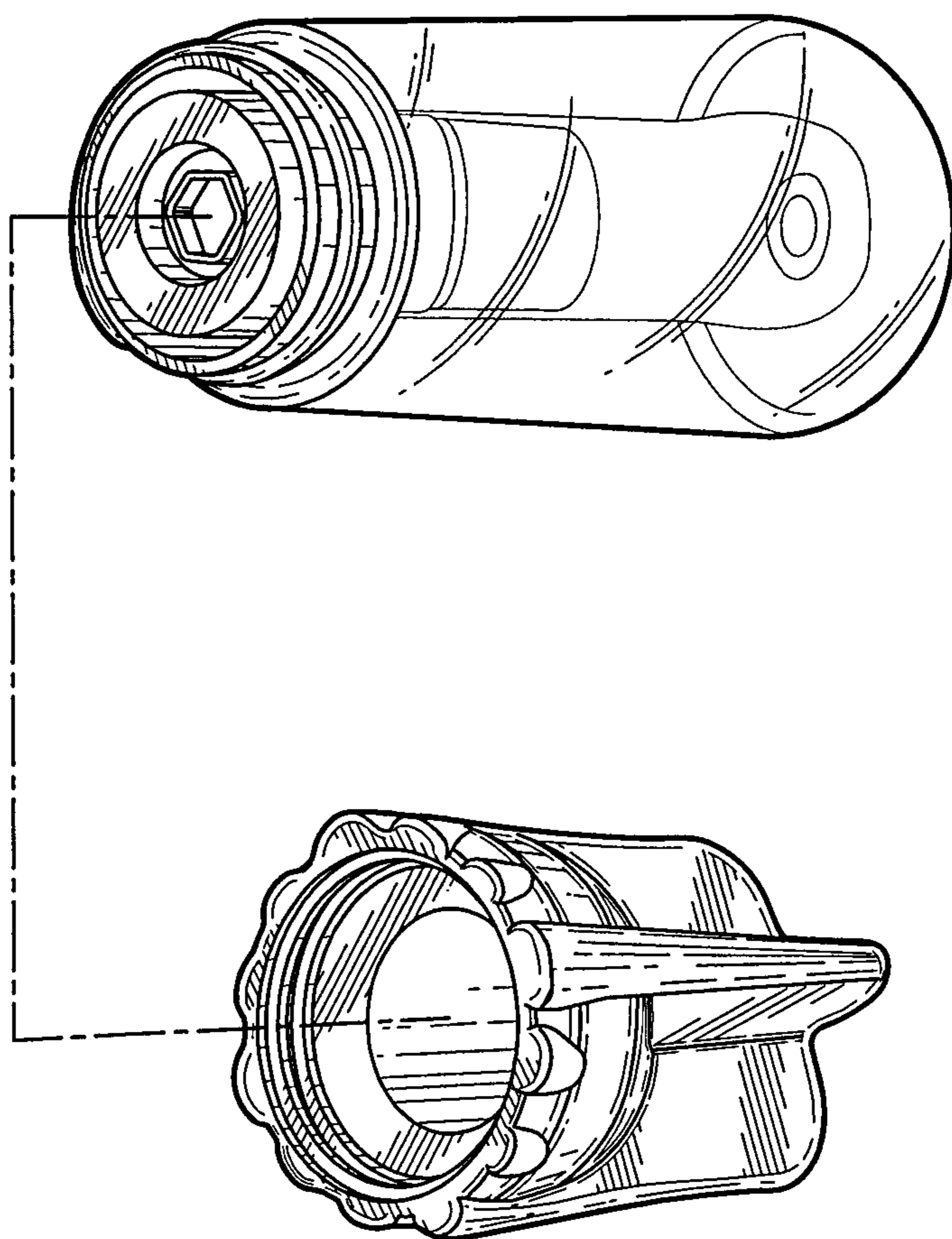


Fig. 8

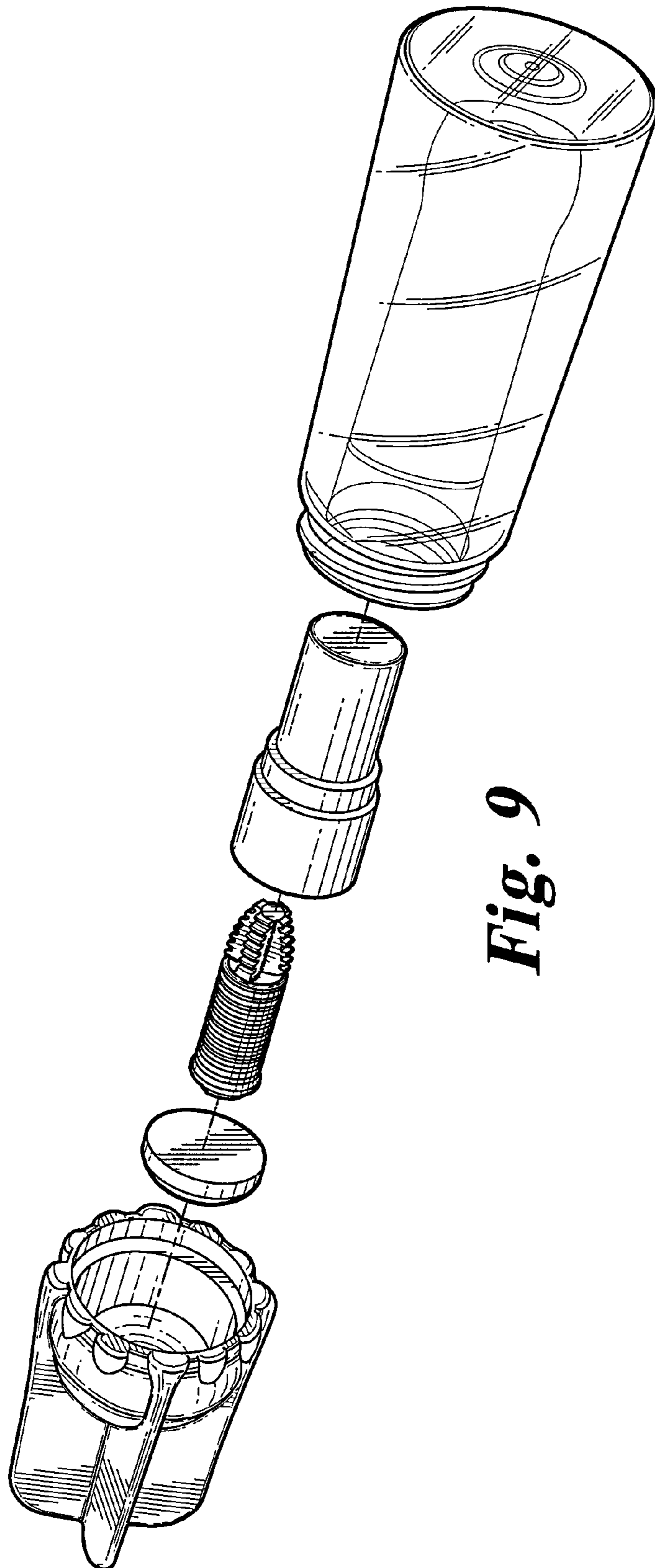


Fig. 9