



US00D731167S

(12) **United States Design Patent**  
**Morse et al.**

(10) **Patent No.:** **US D731,167 S**  
(45) **Date of Patent:** **\*\* Jun. 9, 2015**

- (54) **PIN HOLDER**
- (71) Applicant: **Evrholder Products, LLC**, Anaheim, CA (US)
- (72) Inventors: **Grace E. Morse**, Bakersfield, CA (US);  
**Yumiko Robles**, Orange, CA (US)
- (73) Assignee: **Evrholder Products, LLC**, Anaheim, CA (US)
- (\*\*) Term: **14 Years**
- (21) Appl. No.: **29/448,129**
- (22) Filed: **Mar. 9, 2013**
- (51) **LOC (10) Cl.** ..... **03-01**
- (52) **U.S. Cl.**  
USPC ..... **D3/21; D28/75**
- (58) **Field of Classification Search**  
USPC ..... **D28/10, 73, 75; D3/20, 21, 22, 27;**  
**D9/643; 223/109 R**  
See application file for complete search history.

- 2,436,607 A \* 2/1948 Rosenthal ..... 223/109 R
- 2,455,506 A \* 12/1948 Leslie ..... D3/27
- 2,515,551 A \* 7/1950 Cohen ..... 223/109 R
- D304,245 S \* 10/1989 Ianni ..... D28/73
- 6,102,209 A \* 8/2000 D'Andrea ..... 206/581
- 6,237,788 B1 \* 5/2001 Shuen ..... 206/823
- D560,349 S \* 1/2008 Attaway ..... D3/27
- D608,160 S \* 1/2010 Colbert et al. .... D7/628
- D701,435 S \* 3/2014 Robles ..... D7/628

\* cited by examiner

*Primary Examiner* — Jennifer Rivard

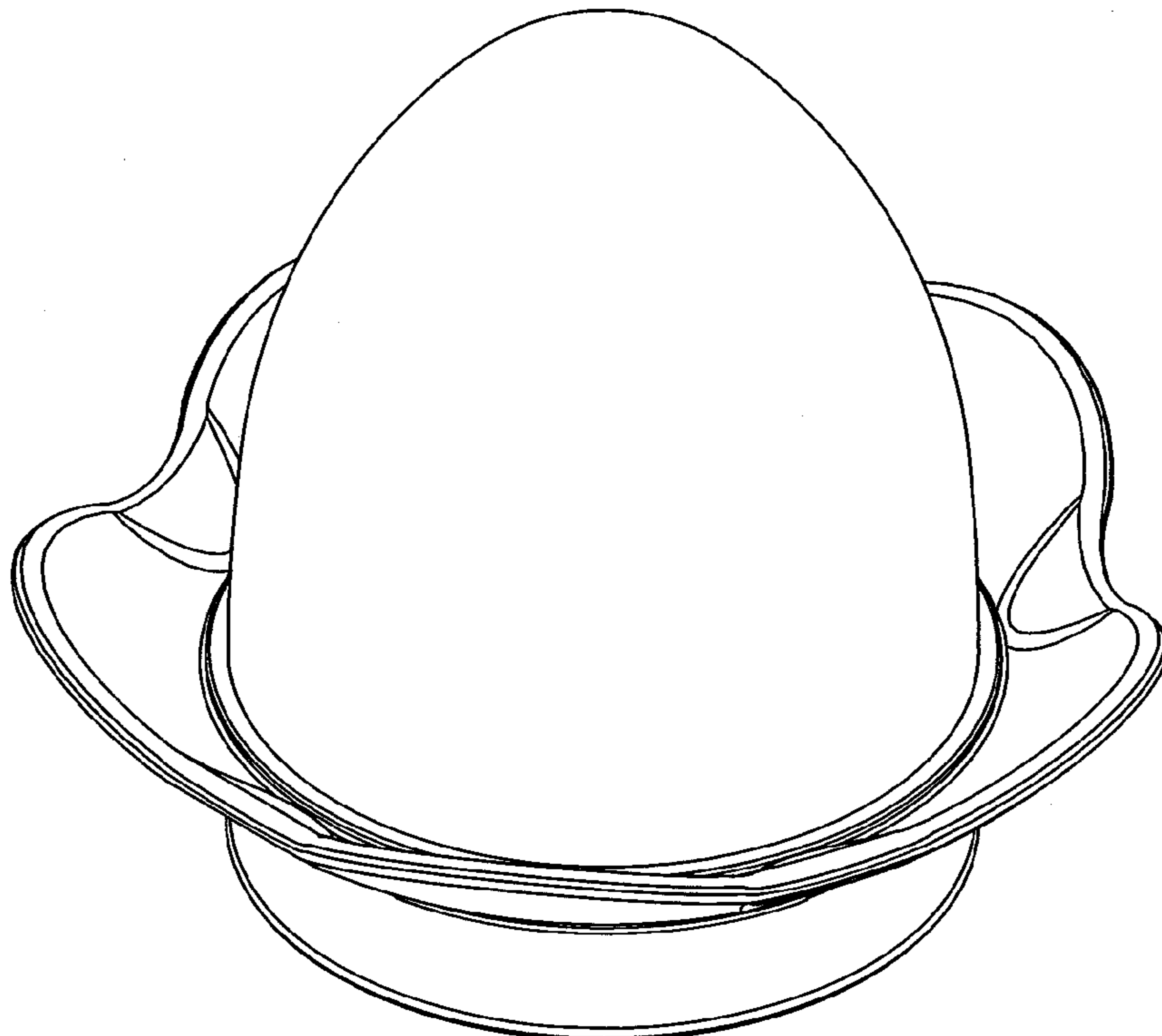
(57) **CLAIM**  
The ornamental design for a pin holder, as shown and described.

**DESCRIPTION**

FIG. 1 illustrates a front view of the claimed design for a pin holder;  
FIG. 2 illustrates a top view thereof;  
FIG. 3 illustrates a bottom view thereof;  
FIG. 4 illustrates a left-side view thereof;  
FIG. 5 illustrates a right-side view thereof;  
FIG. 6 illustrates a rear view thereof;  
FIG. 7 illustrates a cross-sectional view thereof, taken along line 7-7 in FIG. 1; and,  
FIG. 8 illustrates a perspective view thereof.

**1 Claim, 8 Drawing Sheets**

- (56) **References Cited**  
U.S. PATENT DOCUMENTS  
D23,962 S \* 1/1895 Ellis ..... D3/27  
2,420,704 A \* 5/1947 Gould ..... 223/109 R



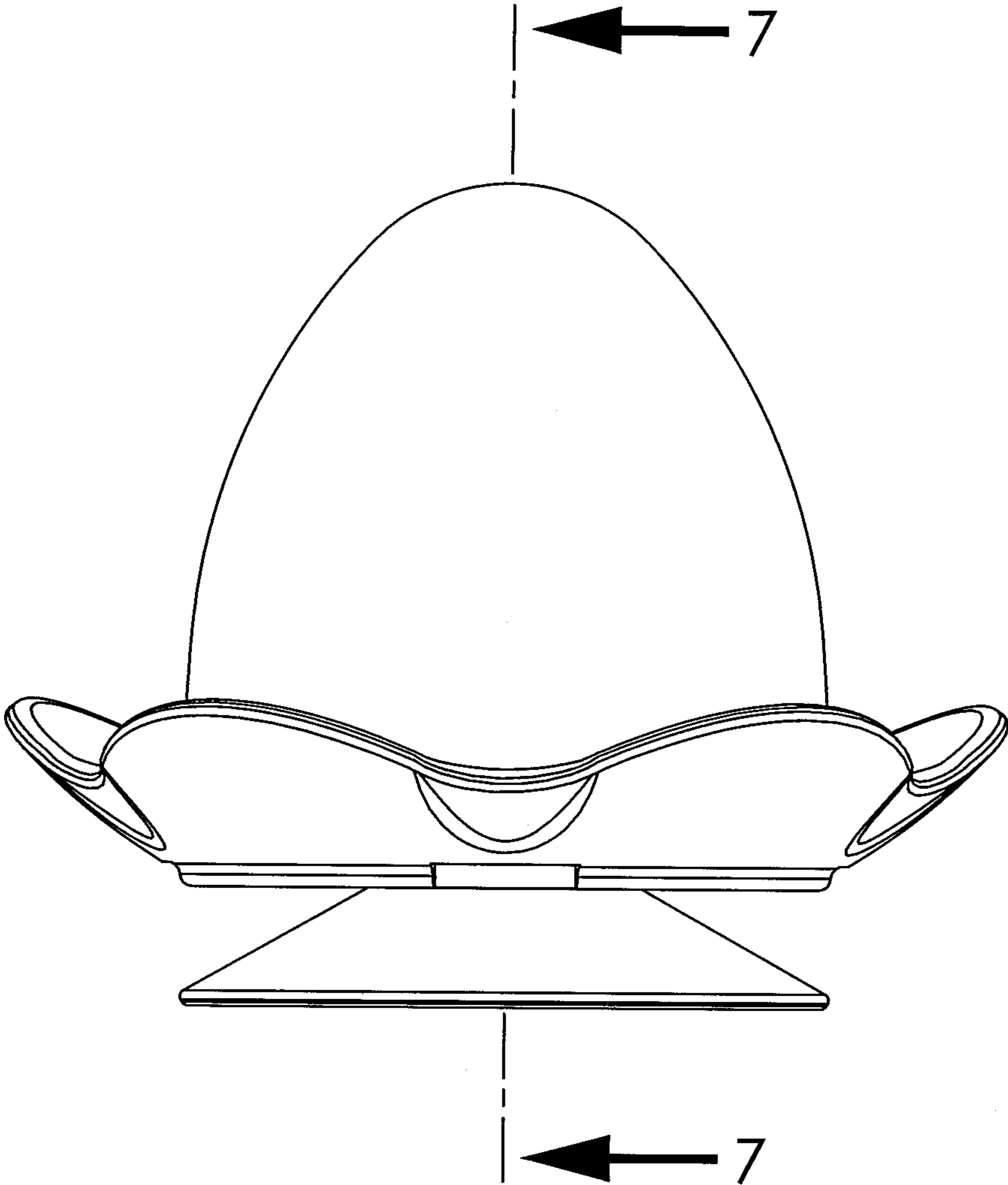


FIG 1

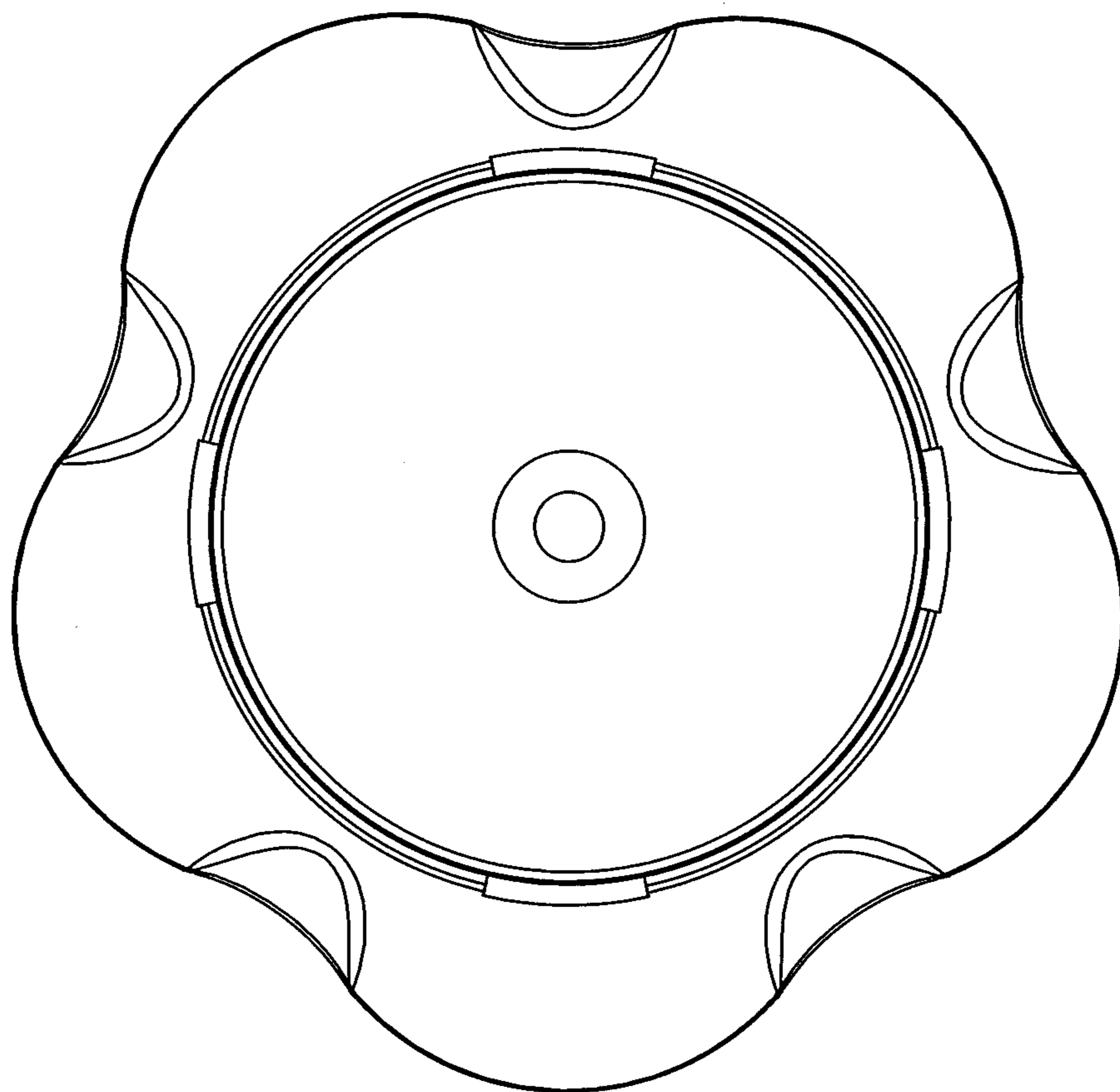


FIG 2

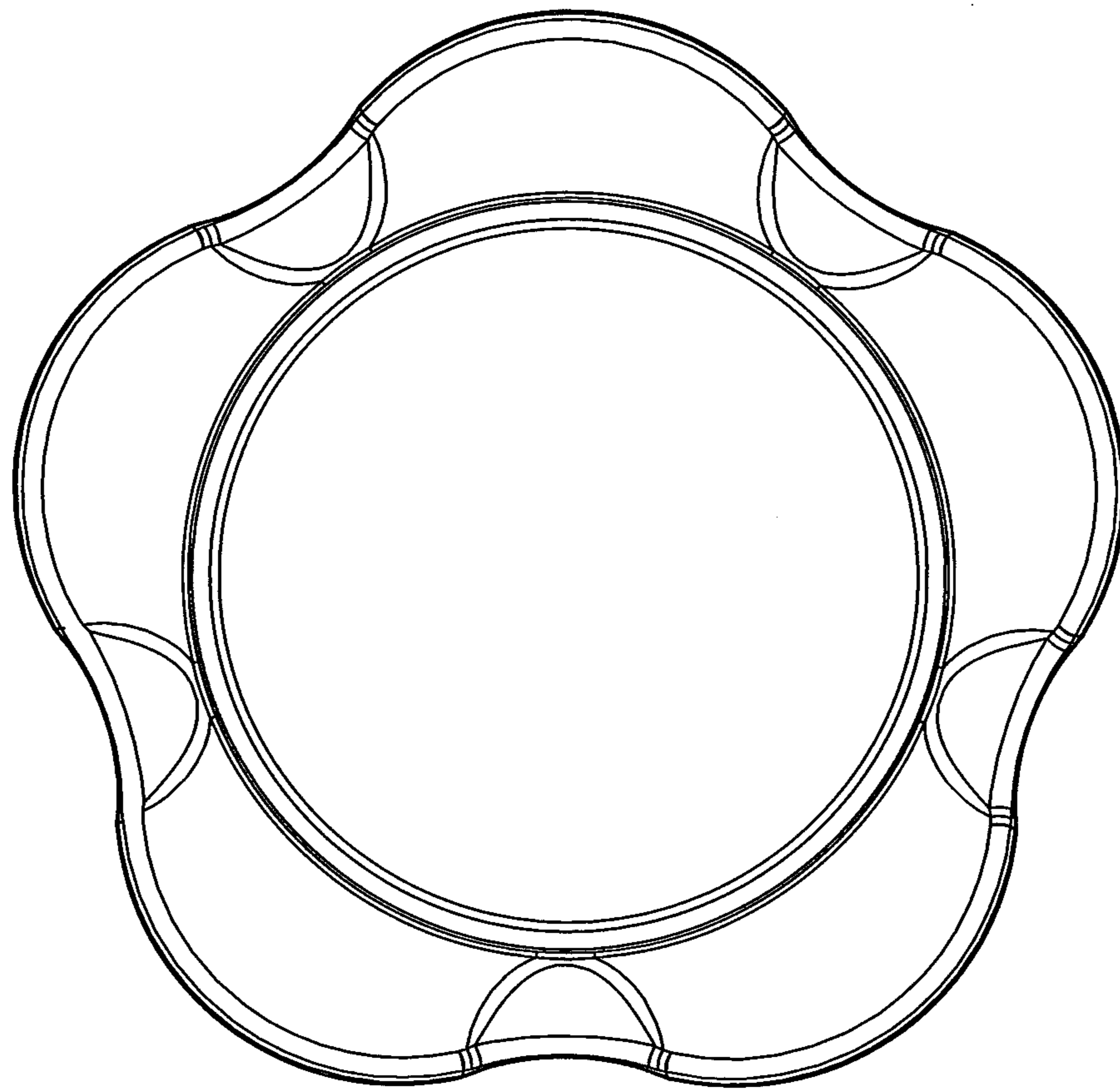


FIG 3

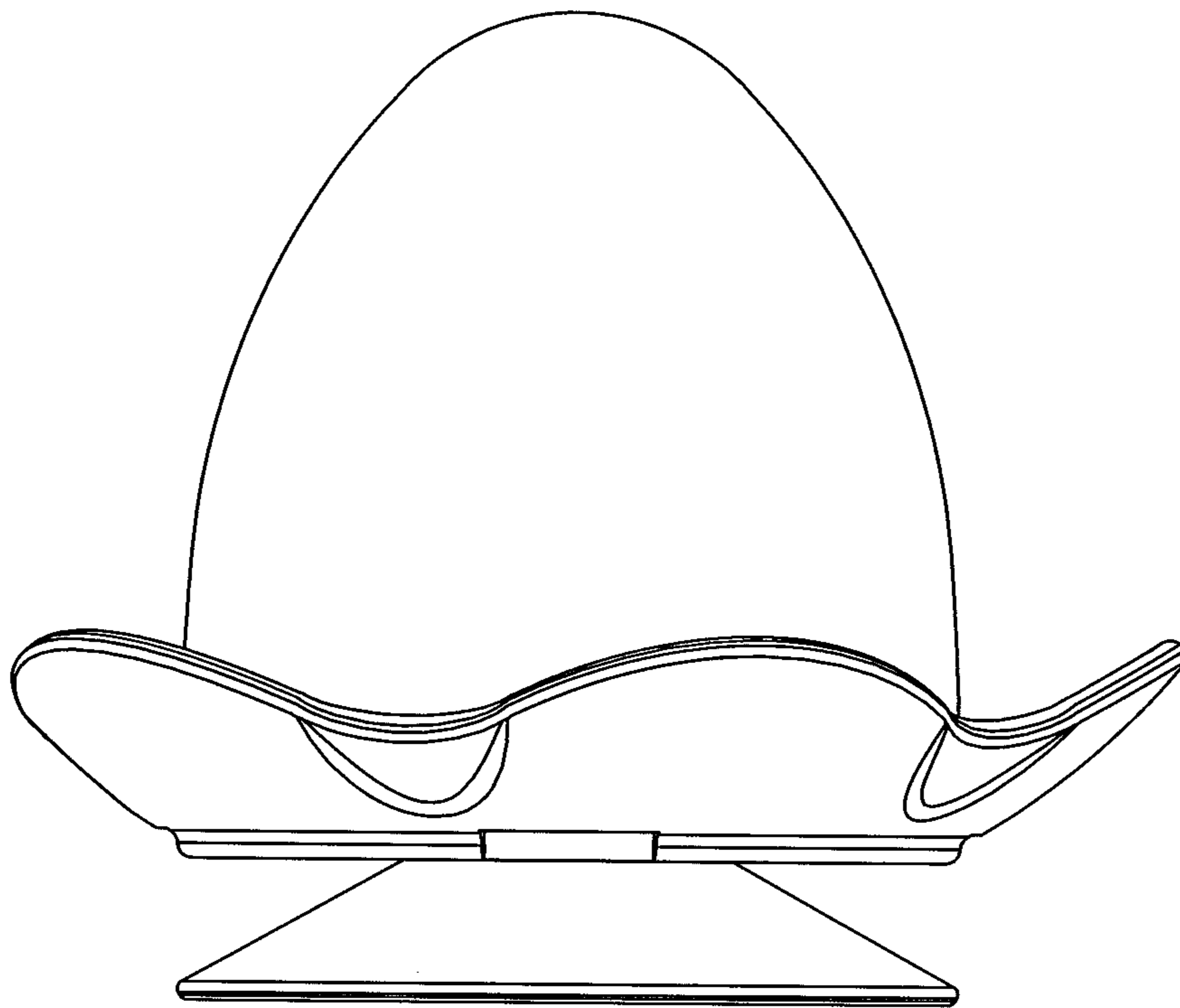


FIG 4

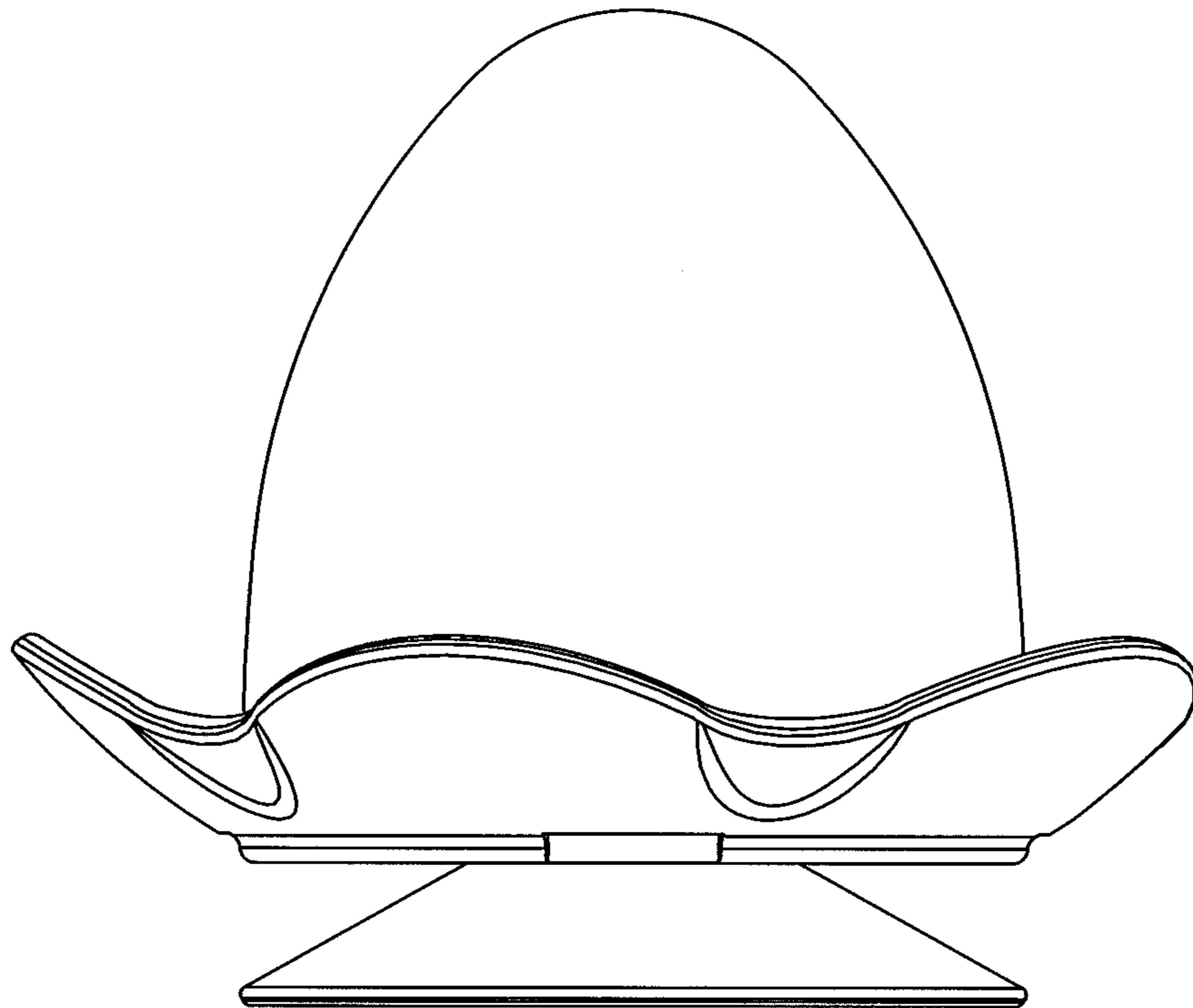


FIG 5

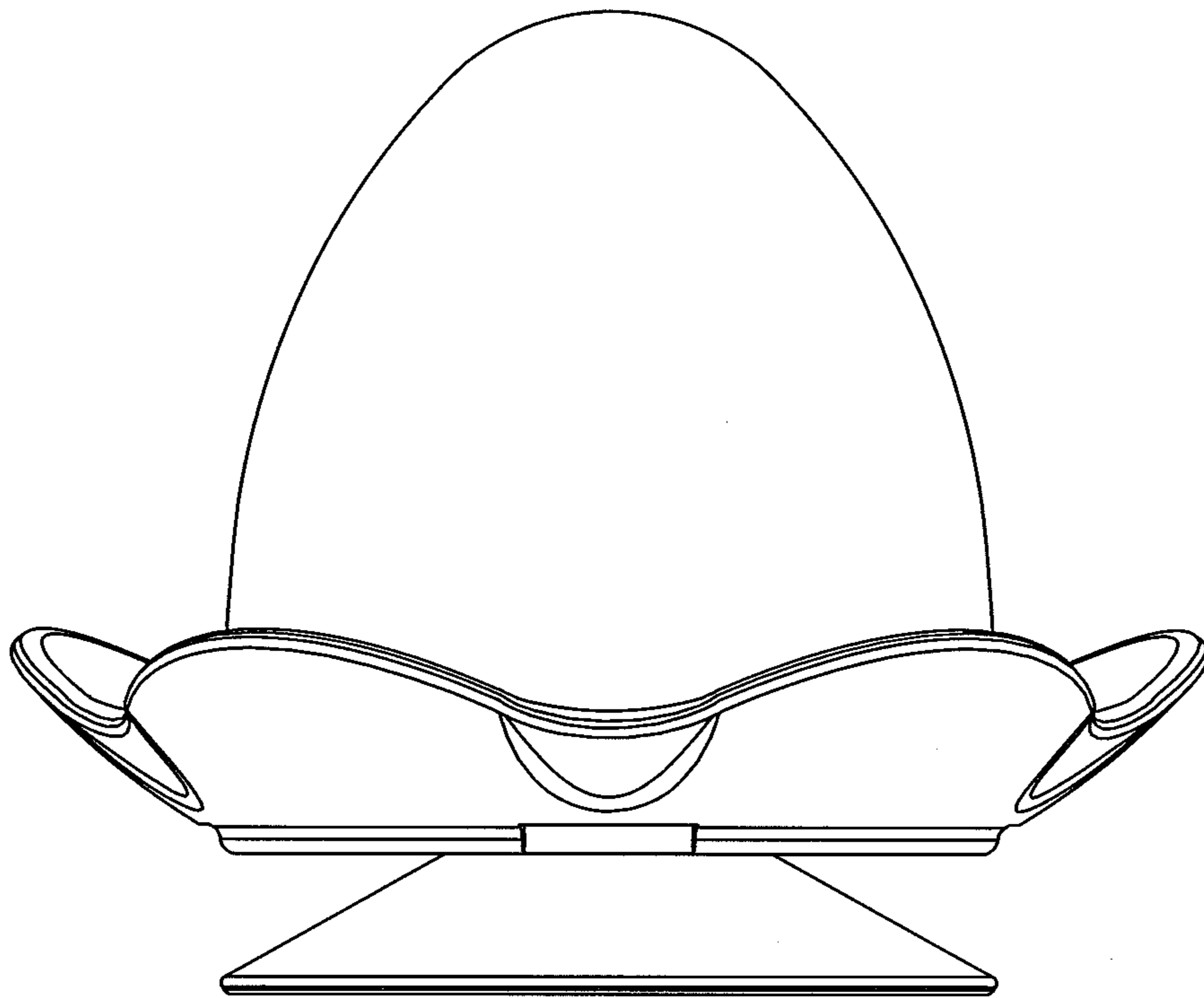


FIG 6

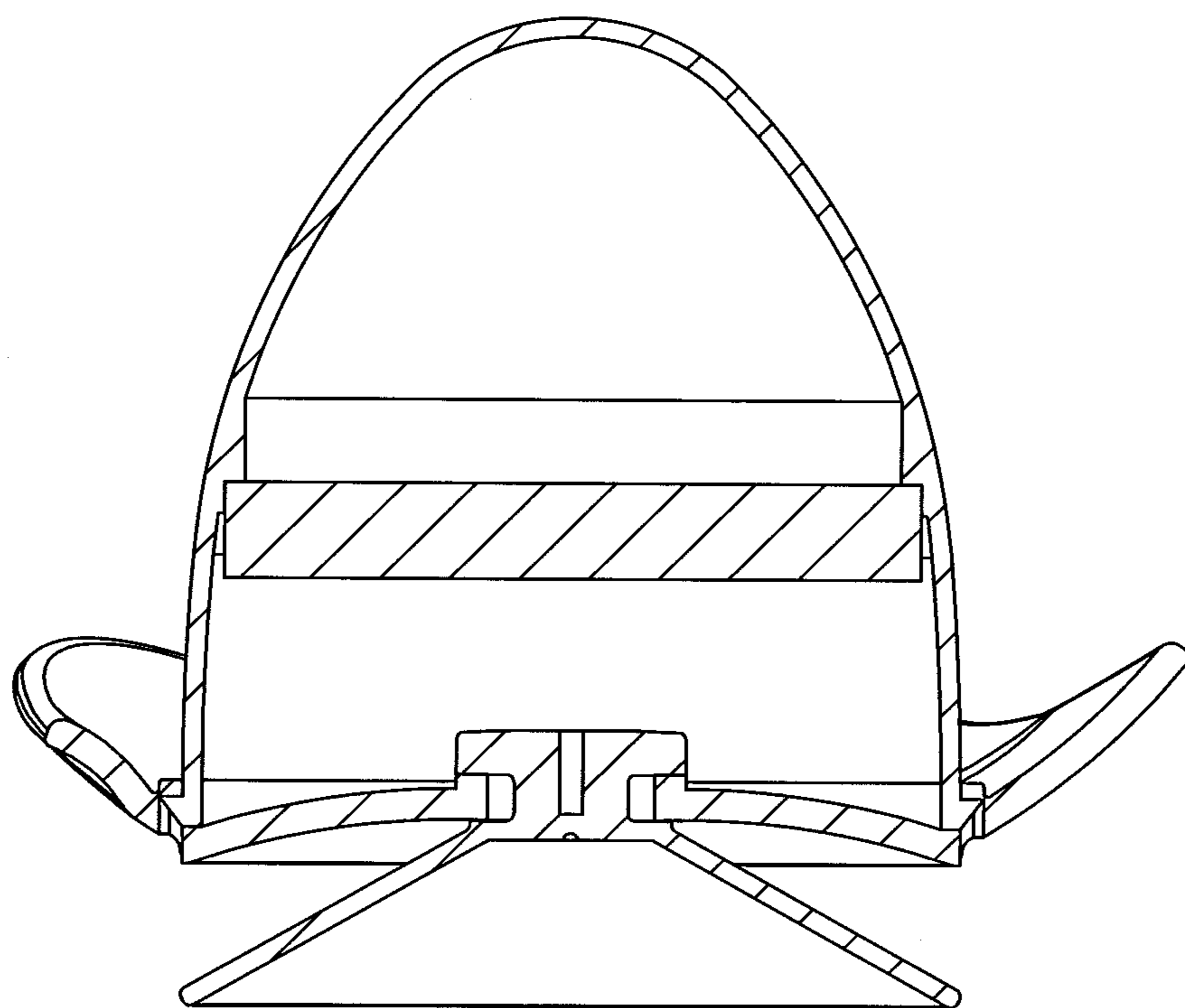


FIG 7



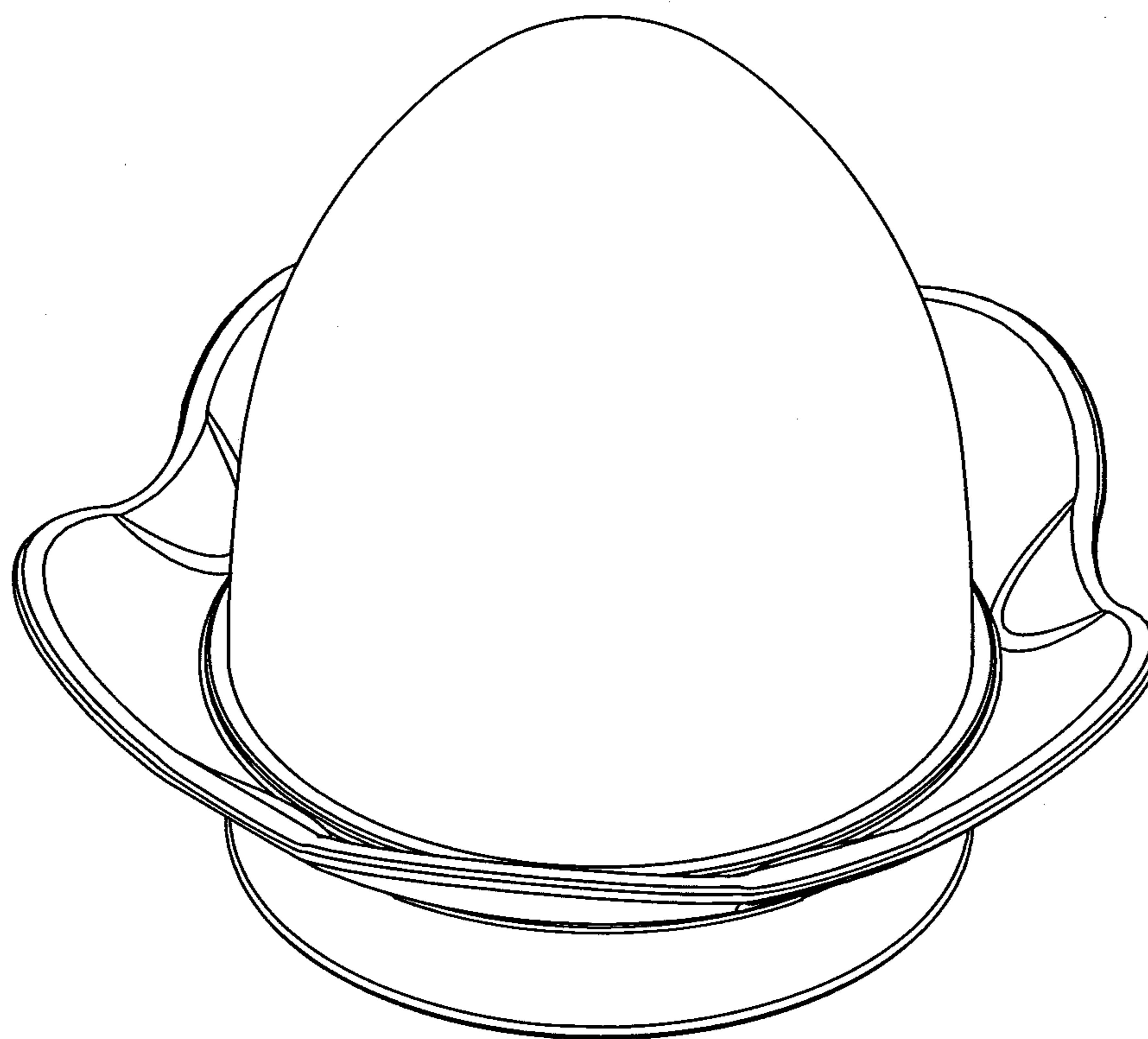


FIG 8