



US00D731166S

(12) **United States Design Patent**  
**Ma**

(10) **Patent No.:** **US D731,166 S**  
(45) **Date of Patent:** **\*\* Jun. 9, 2015**

(54) **UMBRELLA HUB**

(71) Applicant: **Oliver Joen-an Ma**, Arcadia, CA (US)

(72) Inventor: **Oliver Joen-an Ma**, Arcadia, CA (US)

(\*\*) Term: **14 Years**

(21) Appl. No.: **29/448,774**

(22) Filed: **Mar. 13, 2013**

(51) **LOC (10) Cl.** ..... **03-03**

(52) **U.S. Cl.**  
USPC ..... **D3/5**

(58) **Field of Classification Search**  
USPC ..... D3/5, 10; D6/320, 328; D8/83, 106,  
D8/311, 310, 312, 314, 354, 375, DIG. 8;  
135/22, 27, 28, 39  
CPC ..... A45B 2025/003; A45B 2025/105;  
A45B 25/06  
See application file for complete search history.

(56) **References Cited**

U.S. PATENT DOCUMENTS

90,883 A *	6/1869	Smith	135/28
D33,847 S *	1/1901	Gaskill	D3/10
878,270 A	2/1908	Blake et al.	
956,657 A	5/1910	Wetteroth	
957,528 A	5/1910	Wetteroth	
D45,227 S	2/1914	Glauber	
1,136,887 A	4/1915	Penn	
1,235,296 A	7/1917	Dillingham	
1,243,594 A	10/1917	Dillingham	
1,255,627 A	2/1918	Morrow et al.	
1,268,354 A	6/1918	Howard	
D90,772 S	9/1933	Kasch	
D127,735 S	6/1941	Dreyfuss	
2,447,972 A	8/1948	Weinert	
2,475,406 A	7/1949	Russell	
D162,678 S	3/1951	Muller-Munk	
D167,619 S	9/1952	Coran	

2,762,383 A	9/1956	Wittman
2,937,653 A	5/1960	Danciart et al.
D190,597 S	6/1961	Nelson
3,120,238 A	2/1964	Glatz
3,145,720 A	8/1964	Torii
3,424,180 A	1/1969	Giancarlo
3,856,032 A	12/1974	Schafer

(Continued)

FOREIGN PATENT DOCUMENTS

CN	202190859	4/2012
DE	3820573	8/1989

(Continued)

OTHER PUBLICATIONS

Operation Manual Easy Sun Parasol Sunshade (Issue: Jul. 2004) pp. 1-17.

*Primary Examiner* — Cathron Brooks  
*Assistant Examiner* — Catherine Posthauer  
(74) *Attorney, Agent, or Firm* — Knobbe Martens Olson & Bear, LLP

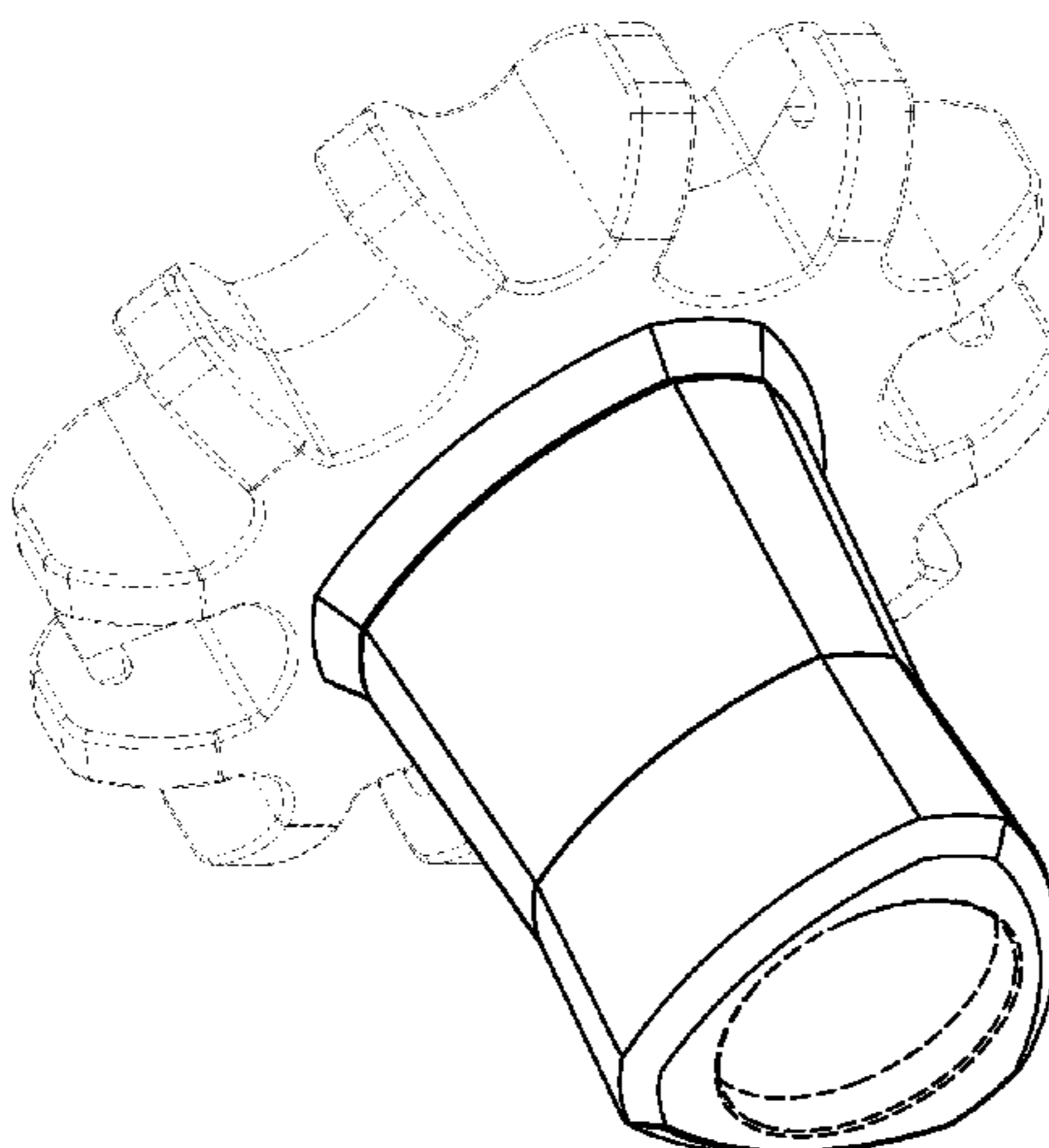
(57) **CLAIM**

The ornamental design for an umbrella hub, as shown and described.

**DESCRIPTION**

FIG. 1 is a perspective view of the umbrella hub, shown with environmental structure;  
FIG. 2 is a another perspective view of the umbrella hub;  
FIG. 3 is a front or rear view of the umbrella hub;  
FIG. 4 is a right or left side view of the umbrella hub;  
FIG. 5 is a top view of the umbrella hub; and,  
FIG. 6 is a bottom view of the umbrella hub.  
The broken lines shown indicate environment and portions of the umbrella hub and form no part of the claimed design.

**1 Claim, 4 Drawing Sheets**



(56)

References Cited

U.S. PATENT DOCUMENTS

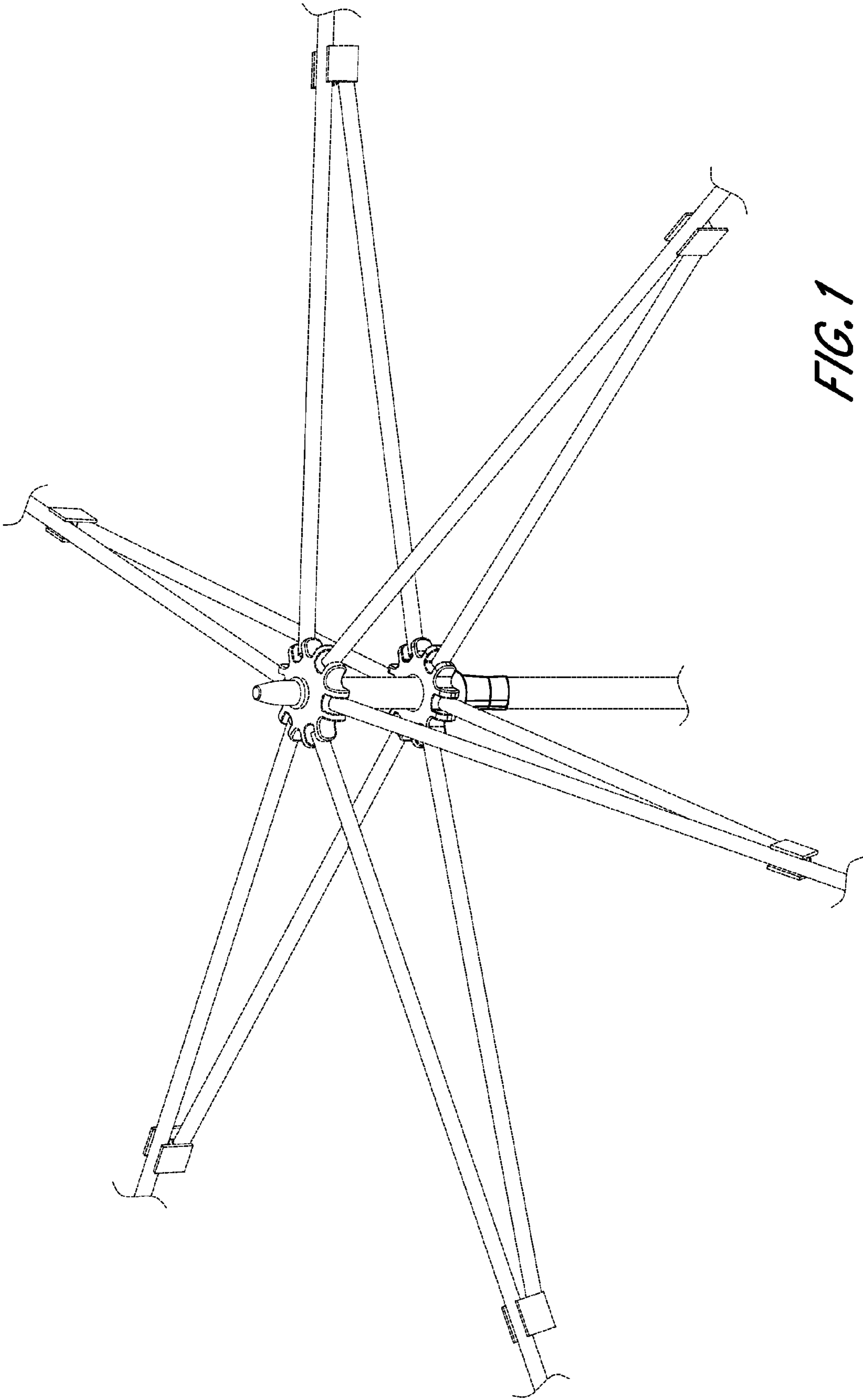
D265,498 S 7/1982 Paul  
 4,368,749 A 1/1983 Lindler et al.  
 D276,838 S 12/1984 Hill et al.  
 4,586,525 A 5/1986 Glatz et al.  
 4,622,987 A 11/1986 Redl et al.  
 4,674,523 A 6/1987 Glatz  
 4,811,670 A 3/1989 Kolvites et al.  
 4,878,509 A 11/1989 Tung  
 5,002,081 A 3/1991 Stromeyer  
 5,029,596 A 7/1991 Tung  
 5,050,627 A 9/1991 Hengtzu  
 D321,779 S \* 11/1991 Ma ..... D3/10  
 D344,786 S 3/1994 Short et al.  
 5,349,975 A 9/1994 Valdner  
 5,357,994 A \* 10/1994 Chung ..... 135/22  
 D360,522 S \* 7/1995 Ko ..... D3/10  
 5,499,644 A 3/1996 Geniele  
 D372,854 S 8/1996 Jimenez  
 5,584,564 A 12/1996 Phyle  
 5,588,455 A 12/1996 Kuo  
 5,611,364 A 3/1997 Woods et al.  
 5,655,557 A 8/1997 Martin  
 5,740,823 A 4/1998 Lin et al.  
 5,785,069 A 7/1998 Glatz  
 D397,054 S 8/1998 Brantley et al.  
 5,794,637 A \* 8/1998 Figueroa ..... 135/27  
 D398,443 S 9/1998 Bolle  
 5,809,734 A 9/1998 Turner  
 D400,777 S 11/1998 Carsello  
 5,884,645 A 3/1999 Chen et al.  
 D408,621 S 4/1999 Kuo  
 5,899,210 A 5/1999 Letherby et al.  
 D410,862 S 6/1999 Milhov  
 5,937,882 A 8/1999 Harbaugh  
 6,014,980 A 1/2000 Glatz  
 6,076,540 A \* 6/2000 You ..... 135/22  
 D434,215 S 11/2000 Lin  
 D434,476 S 11/2000 Meda  
 6,145,523 A 11/2000 Lo  
 6,152,156 A 11/2000 Tung  
 D434,556 S 12/2000 Lin  
 6,192,907 B1 2/2001 Wu  
 6,220,261 B1 4/2001 Glatz  
 6,230,728 B1 5/2001 Reese  
 6,247,483 B1 6/2001 Tung  
 6,298,867 B1 \* 10/2001 Chang ..... 135/28  
 6,305,394 B1 10/2001 Reese  
 6,311,705 B1 11/2001 Ma  
 6,311,707 B1 11/2001 Wu et al.  
 6,314,976 B1 11/2001 Clarke  
 6,371,141 B1 4/2002 Lin et al.  
 6,371,686 B1 4/2002 Wu  
 6,386,214 B1 5/2002 Clarke  
 6,386,215 B1 5/2002 Chang  
 6,412,506 B1 7/2002 Reese  
 6,422,251 B1 7/2002 Tseng  
 6,478,037 B2 11/2002 Tung  
 6,571,813 B2 6/2003 Lin et al.  
 6,575,182 B2 6/2003 Tung  
 6,575,183 B2 6/2003 Tung  
 D477,458 S 7/2003 Goldwitz  
 6,588,438 B1 7/2003 Steiner  
 D478,416 S 8/2003 Clarke  
 6,619,306 B2 9/2003 Ma  
 6,662,815 B2 12/2003 Tung  
 6,732,753 B2 5/2004 Chang  
 6,758,229 B2 7/2004 Wang  
 D497,478 S 10/2004 Clarke

D497,479 S 10/2004 Yu  
 6,837,255 B2 1/2005 Bunch et al.  
 6,851,823 B2 2/2005 Bilotti  
 D503,035 S 3/2005 Ko  
 D503,272 S \* 3/2005 Machin et al. .... D3/10  
 6,889,699 B2 5/2005 Clarke  
 6,941,960 B2 9/2005 Huang  
 7,000,624 B2 2/2006 Chang  
 D525,721 S 7/2006 Landes  
 7,082,953 B2 8/2006 Liu  
 7,089,950 B2 8/2006 Lin  
 D539,632 S 4/2007 Ma  
 7,293,573 B2 11/2007 Clarke  
 D558,444 S 1/2008 Ma  
 7,318,444 B2 1/2008 Clarke  
 7,328,715 B2 2/2008 Neubardt  
 7,546,845 B2 6/2009 Prusmack  
 7,665,477 B1 2/2010 Hathaway  
 7,686,024 B1 3/2010 Lai  
 7,703,464 B2 4/2010 Ma  
 D631,243 S \* 1/2011 Forthuber et al. .... D3/10  
 7,861,734 B2 \* 1/2011 Ma ..... 135/28  
 7,891,367 B2 2/2011 Ma  
 7,900,643 B2 3/2011 Ma  
 7,913,708 B2 3/2011 Yung  
 8,061,375 B2 11/2011 Ma  
 8,082,935 B2 12/2011 Ma  
 8,096,310 B2 1/2012 Clarke  
 D719,343 S \* 12/2014 Ma ..... D3/5  
 2002/0083969 A1 7/2002 Tung  
 2002/0139405 A1 10/2002 Lee  
 2003/0015230 A1 1/2003 Glatz  
 2004/0031513 A1 2/2004 Bunch et al.  
 2004/0055627 A1 3/2004 Moga  
 2004/0055628 A1 3/2004 Yu  
 2004/0069333 A1 4/2004 Ma  
 2004/0154525 A1 8/2004 Wirth et al.  
 2004/0182429 A1 9/2004 Chen  
 2004/0206382 A1 10/2004 Clarke  
 2004/0206383 A1 10/2004 Clarke  
 2005/0098200 A1 5/2005 Su  
 2005/0194027 A1 \* 9/2005 Ko ..... 135/39  
 2006/0005867 A1 1/2006 Chang  
 2006/0151019 A1 7/2006 Lo  
 2008/0066793 A1 \* 3/2008 Ma ..... 135/28  
 2008/0202570 A1 8/2008 Clarke  
 2009/0007945 A1 \* 1/2009 Ma ..... 135/16  
 2009/0260664 A1 \* 10/2009 Ma ..... 135/19.5  
 2010/0139724 A1 6/2010 Lai  
 2010/0139725 A1 6/2010 Lai  
 2011/0061694 A1 3/2011 Vanderminden, Sr.  
 2011/0132418 A1 6/2011 Ma  
 2011/0209732 A1 9/2011 Ma  
 2011/0214705 A1 9/2011 Ma  
 2011/0277800 A1 11/2011 Tung  
 2013/0276843 A1 \* 10/2013 Ma ..... 135/28  
 2014/0251394 A1 \* 9/2014 Ma ..... 135/19.5

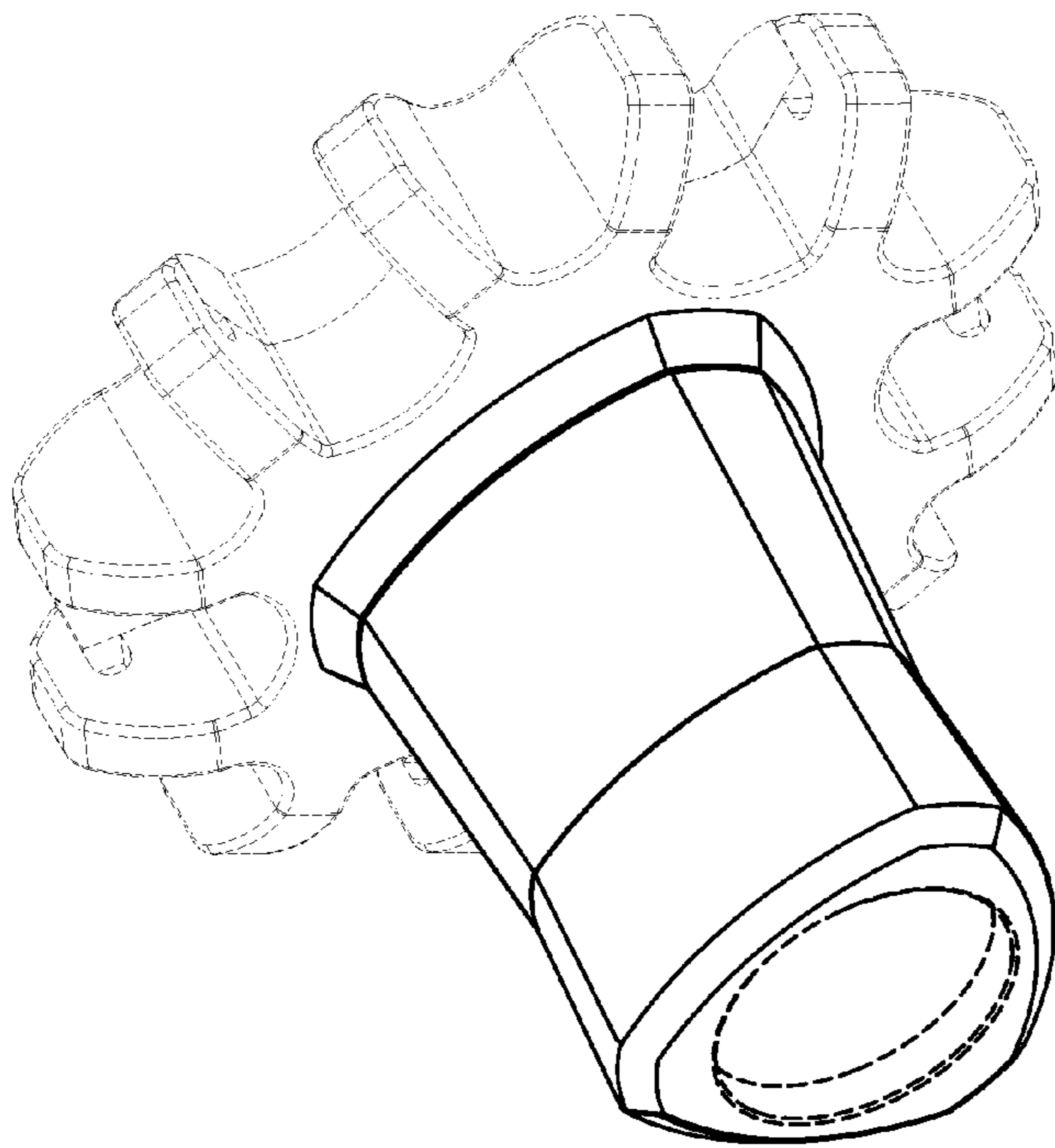
FOREIGN PATENT DOCUMENTS

EM 0000541420-0001 \* 7/2006  
 EM 000796032-0001 \* 11/2007  
 EM 001886391-0002 \* 7/2011  
 EM 001886391-0004 \* 7/2011  
 FR 2672781 A3 8/1992  
 JP 2006-110317 A 4/2006  
 JP 2007-222591 9/2007  
 JP 2008-142310 6/2008  
 WO WO 2005/058089 6/2005

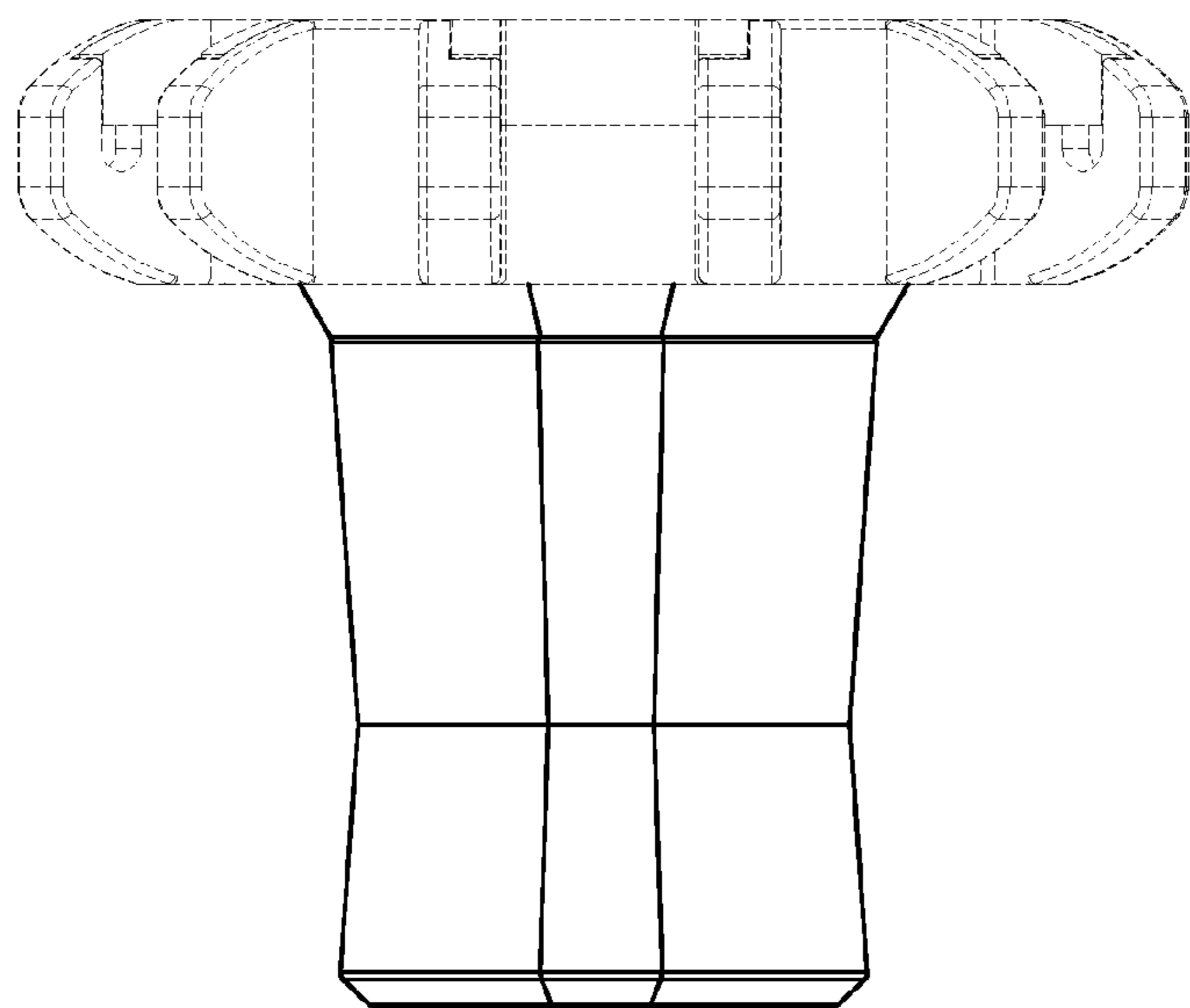
\* cited by examiner



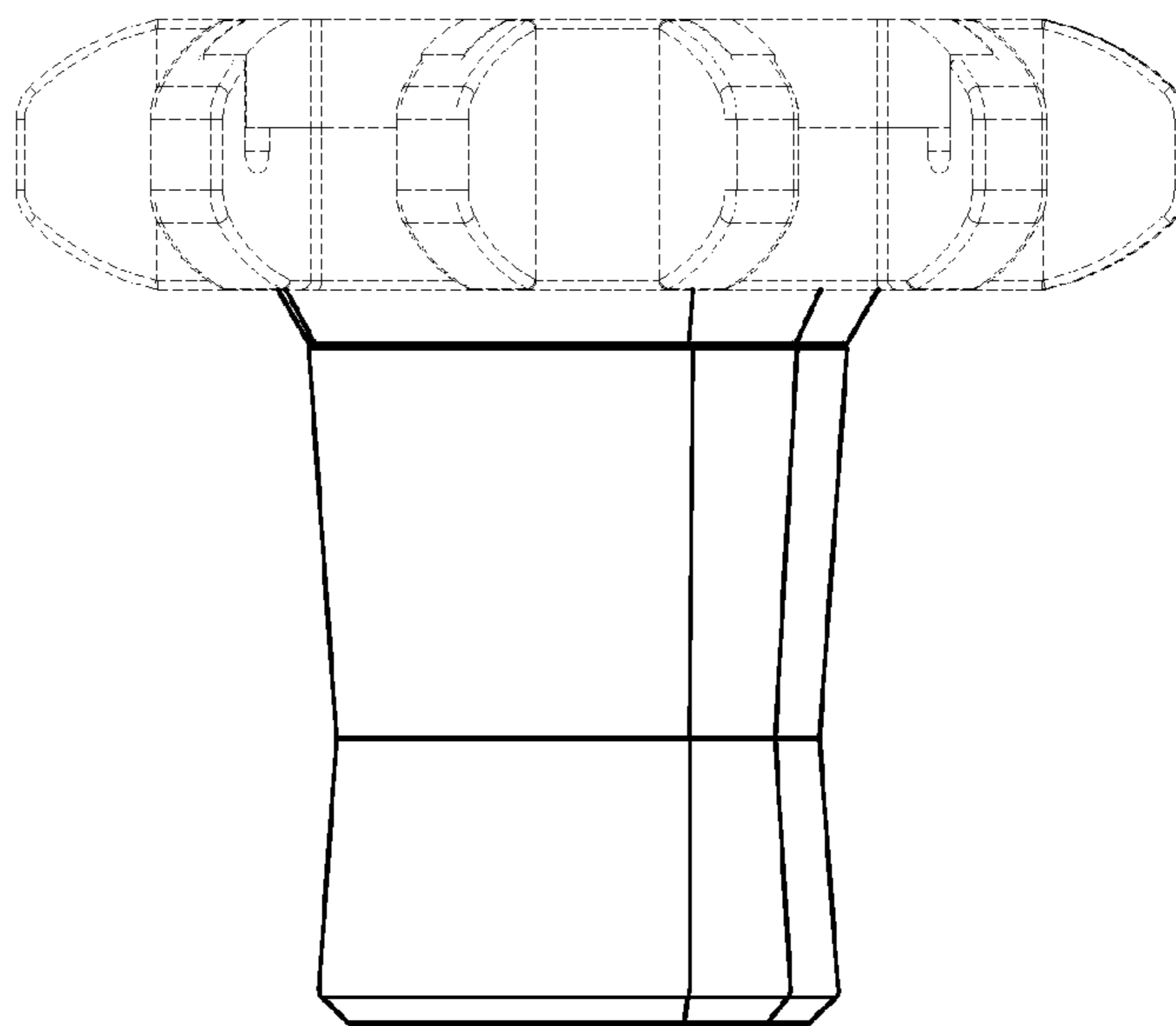
*FIG. 1*



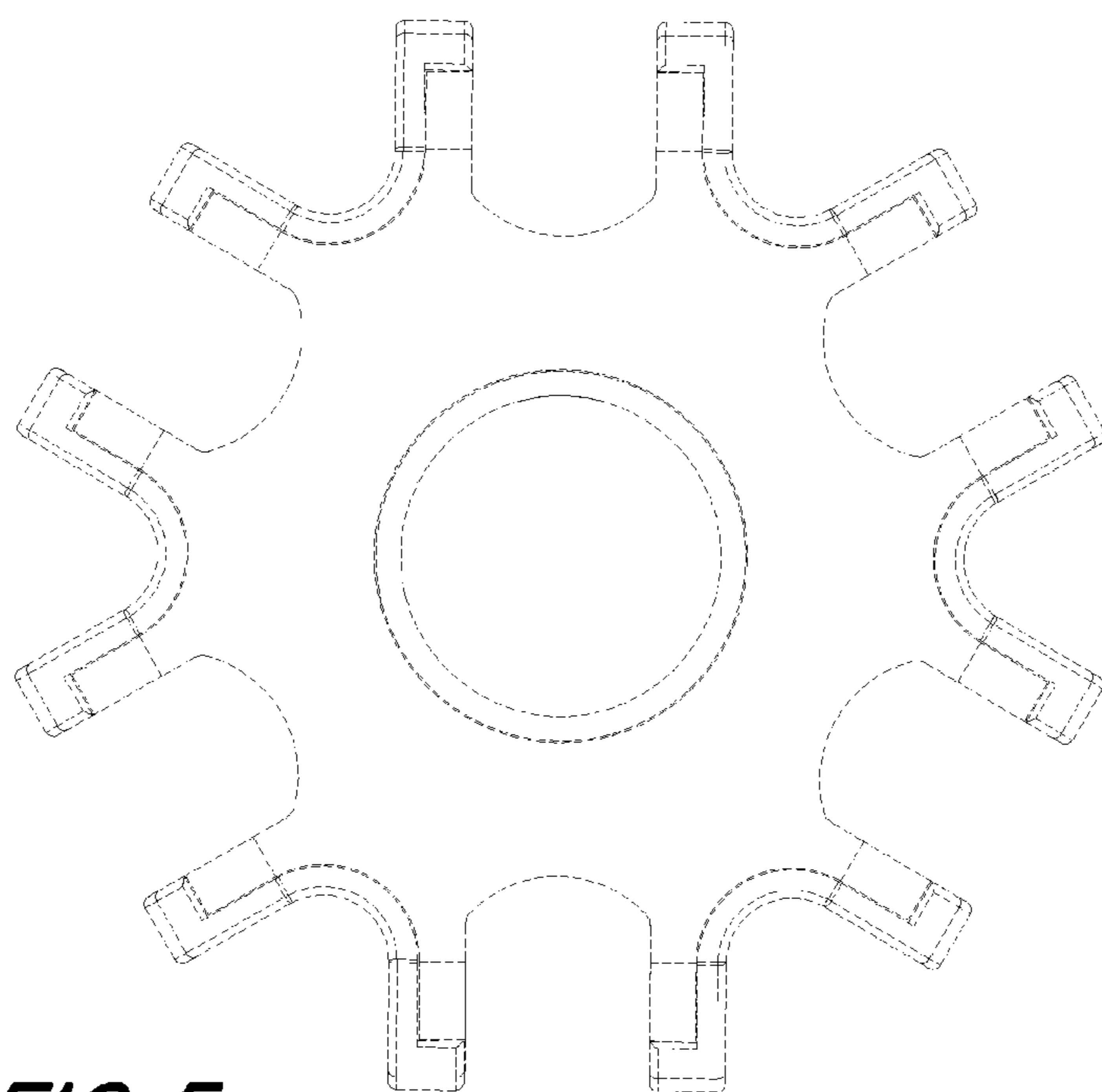
*FIG. 2*



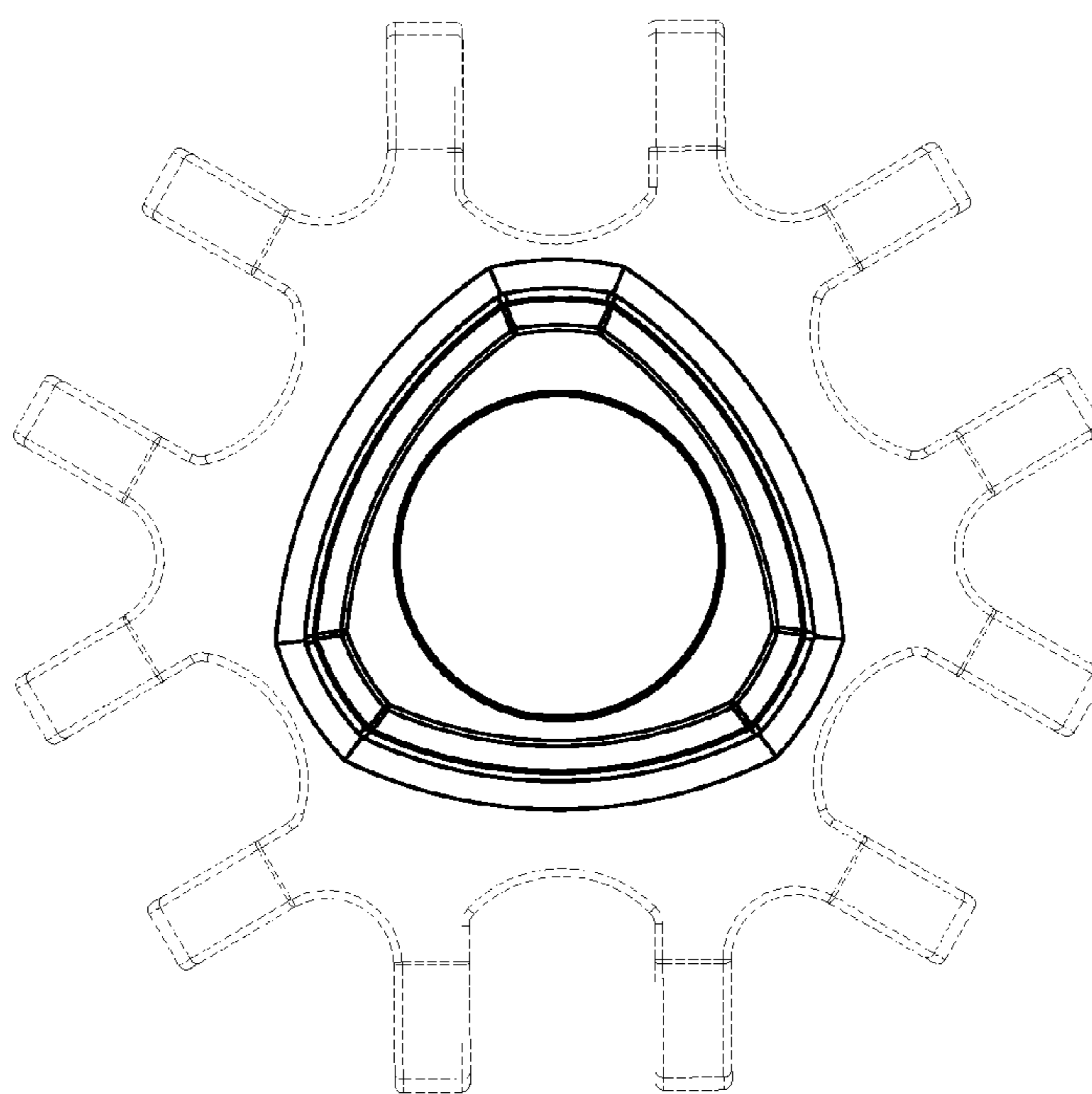
*FIG. 3*



*FIG. 4*



**FIG. 5**



**FIG. 6**