



US00D731154S

(12) **United States Design Patent**
Shaw

(10) **Patent No.:** **US D731,154 S**
(45) **Date of Patent:** **** Jun. 9, 2015**

(54) **APPAREL POCKET**

(71) Applicant: **Ariat International, Inc.**, Union City, CA (US)

(72) Inventor: **Jennifer Shaw**, Oakland, CA (US)

(73) Assignee: **Ariat International, Inc.**, Union City, CA (US)

(**) Term: **14 Years**

(21) Appl. No.: **29/439,309**

(22) Filed: **Dec. 10, 2012**

(51) **LOC (10) Cl.** **02-02**

(52) **U.S. Cl.**
USPC **D2/857; D2/853**

(58) **Field of Classification Search**
USPC 2/79, 247; D2/716, 738, 742, 743, 769, D2/771, 836, 853, 857, 863, 864; D3/303
CPC A41D 13/0012; A41D 27/20; A41D 1/06
See application file for complete search history.

(56) **References Cited**

U.S. PATENT DOCUMENTS

| | | | | | |
|------------|---|---------|----------------|-------|--------|
| D134,050 S | * | 10/1942 | Moshontz | | D2/739 |
| D260,320 S | | 8/1981 | Heinfling | | |
| D260,321 S | | 8/1981 | Heinfling | | |
| D261,445 S | * | 10/1981 | Heinfling | | D2/857 |
| D278,379 S | * | 4/1985 | Heinfling | | D2/857 |
| D436,714 S | | 1/2001 | Korff | | |
| D511,606 S | * | 11/2005 | Caucci | | D2/742 |
| D528,742 S | * | 9/2006 | Langmantel | | D2/857 |
| D537,238 S | * | 2/2007 | Lee et al. | | D2/857 |
| D541,507 S | * | 5/2007 | Lee et al. | | D2/857 |
| D558,954 S | | 1/2008 | Lew | | |
| D591,029 S | | 4/2009 | Zhang | | |
| D608,984 S | * | 2/2010 | Waldman | | D2/857 |
| D619,334 S | | 7/2010 | Barina | | |
| D669,250 S | * | 10/2012 | Girbaud et al. | | D2/857 |

| | | | | | |
|------------|---|---------|--------|-------|--------|
| D690,908 S | * | 10/2013 | Barber | | D2/857 |
| D693,993 S | * | 11/2013 | Karpe | | D2/857 |
| D710,069 S | * | 8/2014 | Grotto | | D2/857 |

FOREIGN PATENT DOCUMENTS

| | | | |
|----|----------------|---|--------|
| EM | 002413831-0002 | * | 2/2014 |
| WO | D082582-002 | * | 1/2014 |

OTHER PUBLICATIONS

DenimBlog. <URL: <http://www.denimblog.com/2012/08/how-to-find-the-perfect-skinny-jeans/>>. Aug. 29, 2012. Back pocket with reinforced stitching, Levi's.*
 Instructables. <URL: <http://www.instructables.com/id/Denim-Pocket-Wallet-For-a-pocket-from-a-pocket/>>. Apr. 30, 2010. Back pocket with reinforced stitching.*
 Buckle. <URL: <http://www.buckle.com/bke-aiden-jean/prd-48665KBK21017>>. Visited Jan. 9, 2015. Aiden Skinny Jean pocket with linear embroidered detail.*
 U.S. Trademark Serial No. 75,982,867, Registered Dec. 2, 2003. Embroidery on clothing pockets.*

(Continued)

Primary Examiner — Bridget L Eland

Assistant Examiner — Lauren McVey

(74) *Attorney, Agent, or Firm* — DASCENZO Intellectual Property Law, P.C.

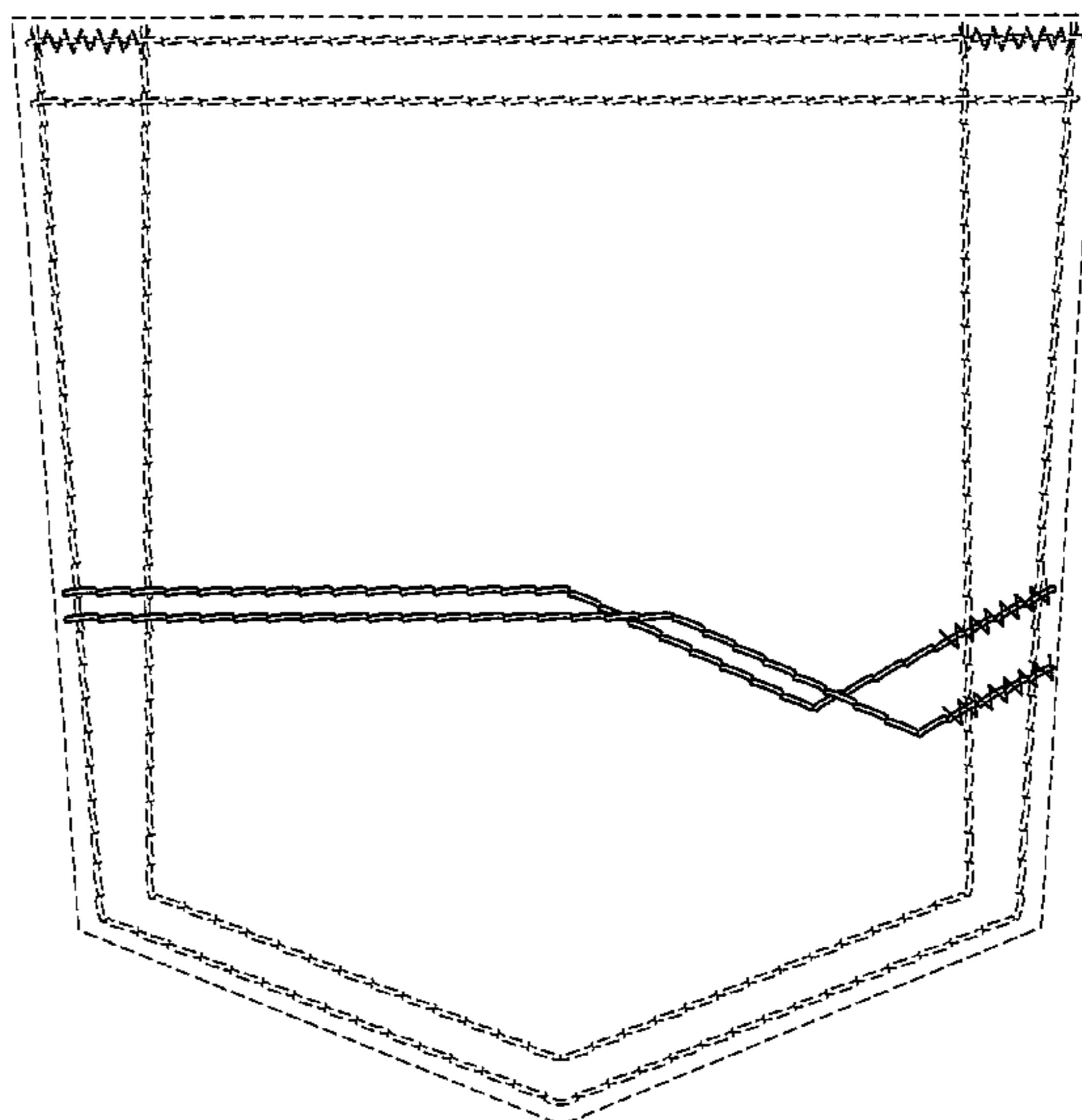
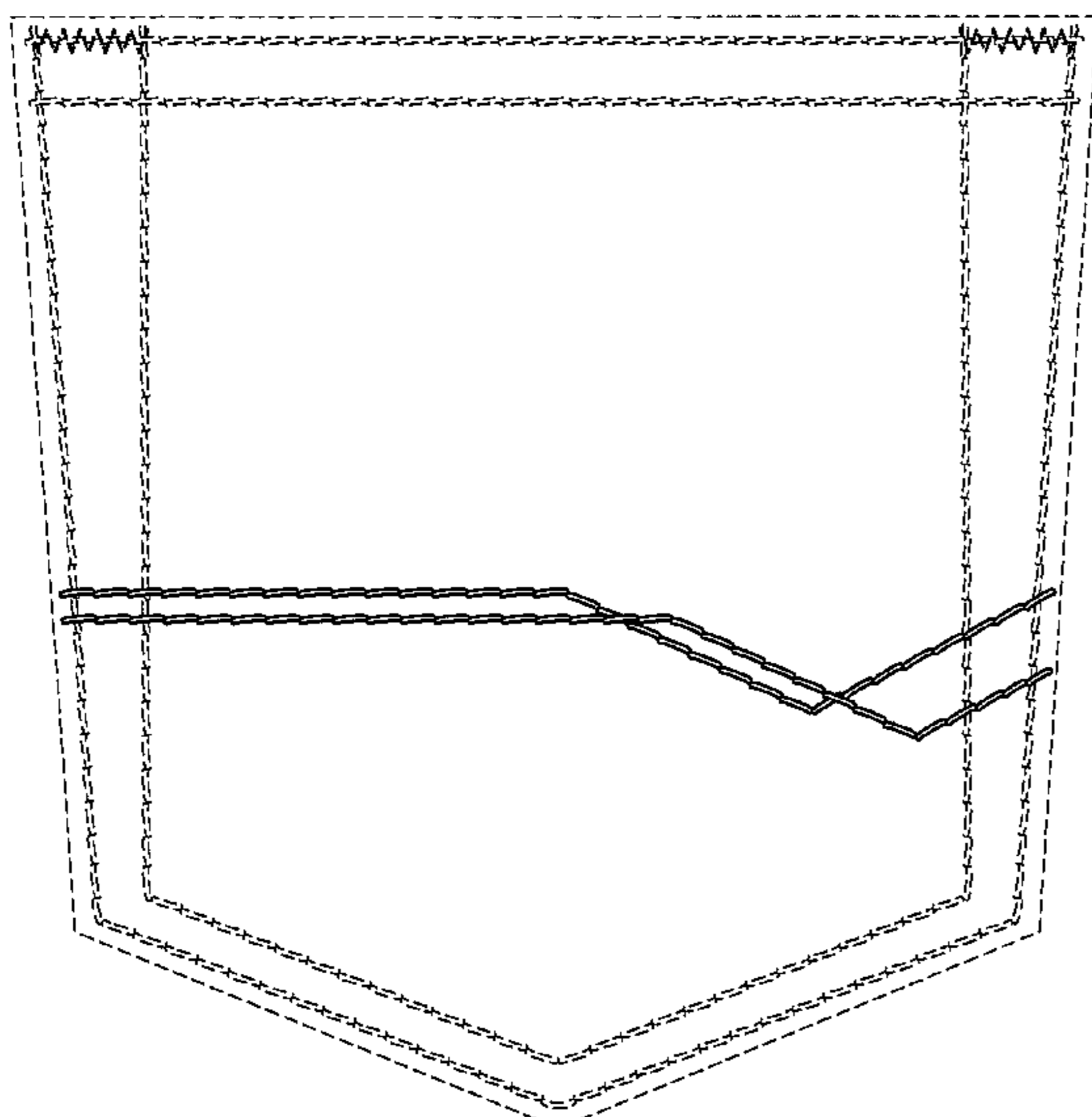
(57) **CLAIM**

The ornamental design for apparel pocket, as shown and described.

DESCRIPTION

FIG. 1 is a plan view of a first embodiment of an apparel pocket showing my new design; and, FIG. 2 is a plan view of a second embodiment of an apparel pocket showing my new design. The broken lines in the drawings illustrate unclaimed portions of the pocket and form no part of the claimed design.

1 Claim, 2 Drawing Sheets



(56)

References Cited

OTHER PUBLICATIONS

U.S. Trademark Registration No. 75,234,639, Abandoned Jun. 29, 2000. Embroidery on clothing pockets.*
 Cavender's. <URL: <http://www.cavenders.com/western/men/mens-jeans-pants/ariat-jeans/10009679>>. Aug. 30, 2013. Ariat embroidered pocket.*
 U.S. Trademark Registration No. 86,267,918, Filed Apr. 30, 2014. Embroidery on clothing pockets.*
 U.S. Trademark Registration No. 76,028,183, Abandoned Jan. 14, 2002. Embroidery on clothing pockets.*
 U.S. Trademark Application Serial No. 74/675,179, United States Patent and Trademark Office, May 16, 1995.
 U.S. Trademark Application Serial No. 75/713,057, United States Patent and Trademark Office, May 25, 1999.
 U.S. Trademark Application Serial. No. 77/090,212, United States Patent and Trademark Office, Jan. 24, 2007.
 U.S. Trademark Application Serial No. 77/734,537, United States Patent and Trademark Office, May 12, 2009.
 U.S. Trademark Application Serial No. 77/835,438, United States Patent and Trademark Office, Sep. 25, 2009.
 U.S. Trademark Application Serial No. 77/849,208, United States Patent and Trademark Office, Oct. 15, 2009.
 U.S. Trademark Application Serial No. 77/849,249, United States Patent and Trademark Office, Oct. 15, 2009.
 U.S. Trademark Application Serial No. 77/958,721 United States Patent and Trademark Office, Mar. 15, 2010.
 U.S. Trademark Application Serial No. 78,684,834, United States Patent and Trademark Office, Aug. 3, 2005.
 U.S. Trademark Registration No. 1,192,904, United States Patent and Trademark Office, May 8, 1980.
 U.S. Trademark Registration No. 1,192,905, United States Patent and Trademark Office, May 14, 1980.
 U.S. Trademark Registration No. 1,217,112, United States Patent and Trademark Office, Oct. 24, 1980.
 U.S. Trademark Registration No. 1,228,942, United States Patent and Trademark Office, Feb. 4, 1980.

U.S. Trademark Registration No. 1,228,943, United States Patent and Trademark Office, Feb. 4, 1980.
 U.S. Trademark Registration No. 1,344,544, United States Patent and Trademark Office, Feb. 28, 1983.
 U.S. Trademark Registration No. 1,350,718, United States Patent and Trademark Office, Oct. 14, 1983.
 U.S. Trademark Registration No. 1,369,104, United States Patent and Trademark Office, May 30, 1984.
 U.S. Trademark Registration No. 2,113,198, United States Patent and Trademark Office, Oct. 22, 1996.
 U.S. Trademark Registration No. 2,524,058, United States Patent and Trademark Office, Oct. 6, 1999.
 U.S. Trademark Registration No. 2,791,156, United States Patent and Trademark Office, Jul. 16, 2002.
 U.S. Trademark Registration No. 2,794,649, United States Patent and Trademark Office, Jul. 10, 2002.
 U.S. Trademark Registration No. 2,907,466, United States Patent and Trademark Office, May 11, 2000.
 U.S. Trademark Registration No. 3,135,750, United States Patent and Trademark Office, Sep. 20, 2005.
 U.S. Trademark Registration No. 3,185,125, United States Patent and Trademark Office, Mar. 21, 2006.
 U.S. Trademark Registration No. 3,231,811, United States Patent and Trademark Office, Jun. 29, 2005.
 U.S. Trademark Registration No. 3,266,857, United States Patent and Trademark Office, May 4, 2006.
 U.S. Trademark Registration No. 3,312,075, United States Patent and Trademark Office, Apr. 21, 2006.
 U.S. Trademark Registration No. 3,864,826, United States Patent and Trademark Office, Nov. 19, 2007.
 U.S. Trademark Registration No. 3,919,366, United States Patent and Trademark Office, Jun. 14, 2010.
 U.S. Trademark Registration No. 3,919,367, United States Patent and Trademark Office, Jun. 14, 2010.
 U.S. Trademark Registration No. 3,997,020, United States Patent and Trademark Office, Nov. 30, 2010.
 U.S. Trademark Registration No. 4,064,084, United States Patent and Trademark Office, Jul. 19, 2006.

* cited by examiner

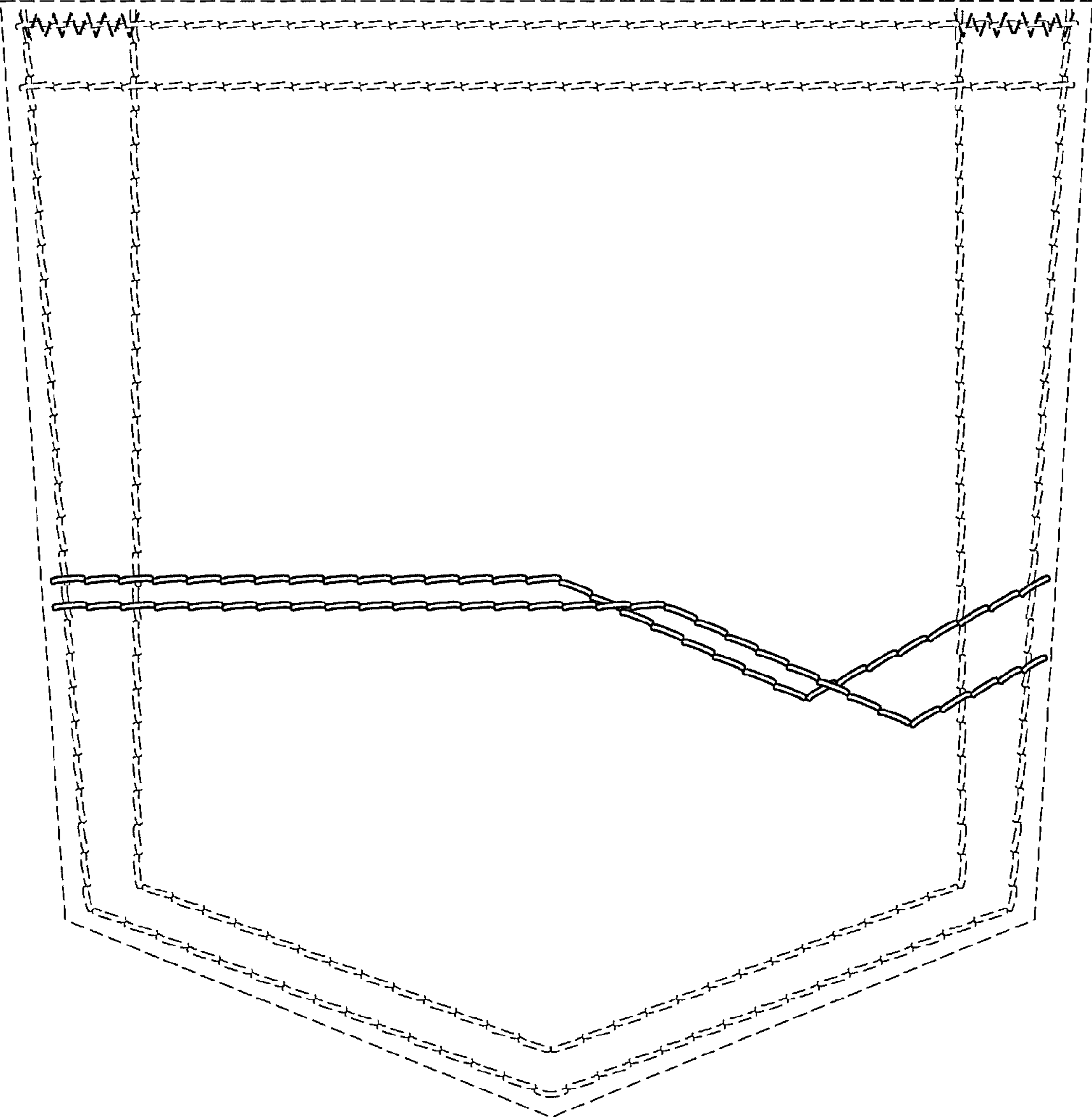


Fig. 1

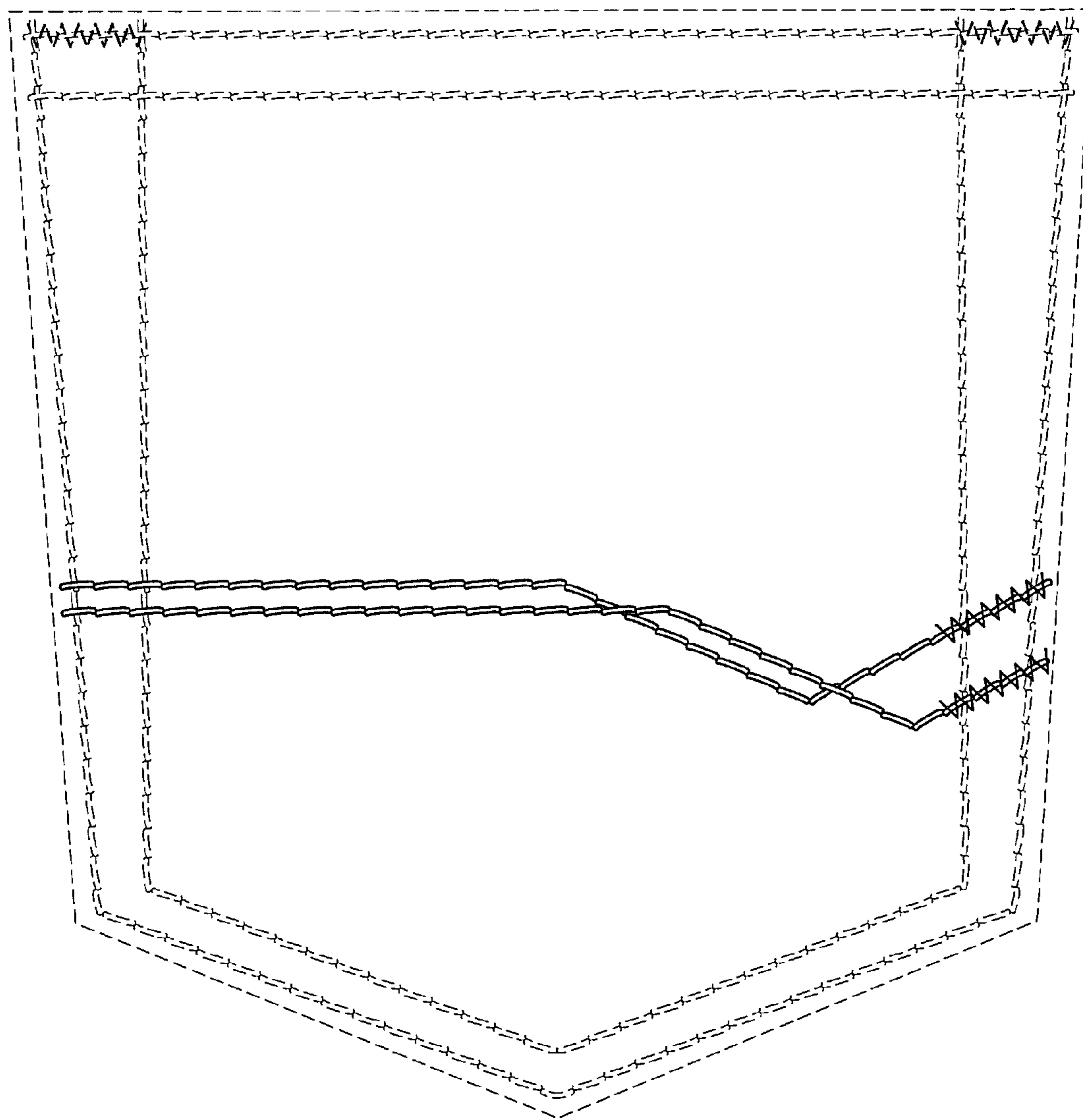


Fig. 2