



US00D731153S

(12) **United States Design Patent**
Bien

(10) **Patent No.:** **US D731,153 S**
(45) **Date of Patent:** **** Jun. 9, 2015**

(54) **GARMENT WITH CLOSURES**

(76) Inventor: **Kathleen T. Bien**, Englishtown, NJ (US)

(**) Term: **14 Years**

(21) Appl. No.: **29/388,361**

(22) Filed: **Mar. 28, 2011**

(51) **LOC (10) Cl.** **02-02**

(52) **U.S. Cl.**
USPC **D2/847**

(58) **Field of Classification Search**
USPC D2/847, 717, 840, 845, 848, 913, 106,
D2/750, 755, 780, 754, 844, 720, 728,
D2/749; 2/90, 77, 141.1, 106, 123, 125,
2/128, 75, 913, 270; 24/270, 66.1, 324,
24/375, 165, 578.12, 578.15, 581.1,
24/586.11, 594.11, 114.9, 305, 704.1,
24/584.1; 224/168, 584.1; 63/29.1
See application file for complete search history.

(56) **References Cited**

U.S. PATENT DOCUMENTS

1,368,878	A *	2/1921	Bandell	24/114.9
2,020,155	A *	11/1935	Molter	2/82
2,452,853	A *	11/1948	Ippoliti	2/96
2,648,110	A *	8/1953	Baskind	24/305
3,210,820	A *	10/1965	Humiston	24/704.1
3,449,765	A *	6/1969	Beard et al.	2/113
4,047,651	A *	9/1977	McMullen	224/168
4,866,791	A *	9/1989	Carver et al.	2/106
4,962,573	A *	10/1990	Breveglieri	24/581.1
D341,471	S *	11/1993	Cross	D2/717
5,685,174	A *	11/1997	Balzer et al.	63/29.1
5,902,111	A *	5/1999	Lindsey	434/81
D421,329	S *	3/2000	Adams	D2/841
D435,329	S *	12/2000	Stewart	D2/849
D482,845	S *	12/2003	Dornbierer	D2/854
6,668,382	B1 *	12/2003	Wright	2/75
D509,645	S *	9/2005	Saunders	D2/844
D514,279	S *	2/2006	Lindquist	D2/720
D518,275	S *	4/2006	Hurt	D2/717
7,150,081	B2 *	12/2006	Juan	24/584.1
D575,930	S *	9/2008	Vacchiano	D2/717
D584,483	S *	1/2009	Glynn	D2/720

D614,834	S *	5/2010	Rhodes	D2/717
D619,783	S *	7/2010	Jones et al.	D2/717
D628,770	S *	12/2010	Kanada et al.	D2/717
D632,871	S *	2/2011	Woodall	D2/717
D642,359	S *	8/2011	Cullen et al.	D2/844
D654,660	S *	2/2012	Jones et al.	D2/717
D657,939	S *	4/2012	Mathews	D2/847
D661,467	S *	6/2012	Whitefield	D2/840
D666,387	S *	9/2012	Wallis	D2/717
D674,168	S *	1/2013	Kajino et al.	D2/840

* cited by examiner

Primary Examiner — Holly Baynham

(74) *Attorney, Agent, or Firm* — Lawrence C. Edelman

(57) **CLAIM**

I claim the ornamental design for a garment with closures, as shown and described.

DESCRIPTION

FIG. 1 is a front perspective view of garment with closures according to a first embodiment of my new design in the closed position;

FIG. 2 is a front view thereof;

FIG. 3 is a rear view thereof;

FIG. 4 is a right side view thereof;

FIG. 5 is a left side view thereof;

FIG. 6 is a top plan view thereof;

FIG. 7 is a bottom plan view thereof;

FIG. 8 is a detail view of the area shown circled in FIG. 4;

FIG. 9 is a detail view of the area shown circled in FIG. 5;

FIG. 10 is a detail view of one area shown circled in FIG. 6;

FIG. 11 is a detail view of another area shown circled in FIG. 7;

FIG. 12 is a front perspective view of garment with closures according to a first embodiment in the two top closure open position;

FIG. 13 is a front view thereof;

FIG. 14 is a rear view thereof;

FIG. 15 is a right side view thereof;

FIG. 16 is a left side view thereof;

FIG. 17 is a top plan view thereof;

FIG. 18 is a bottom plan view thereof;

FIG. 19 is a detail view of one area shown circled in FIG. 12;

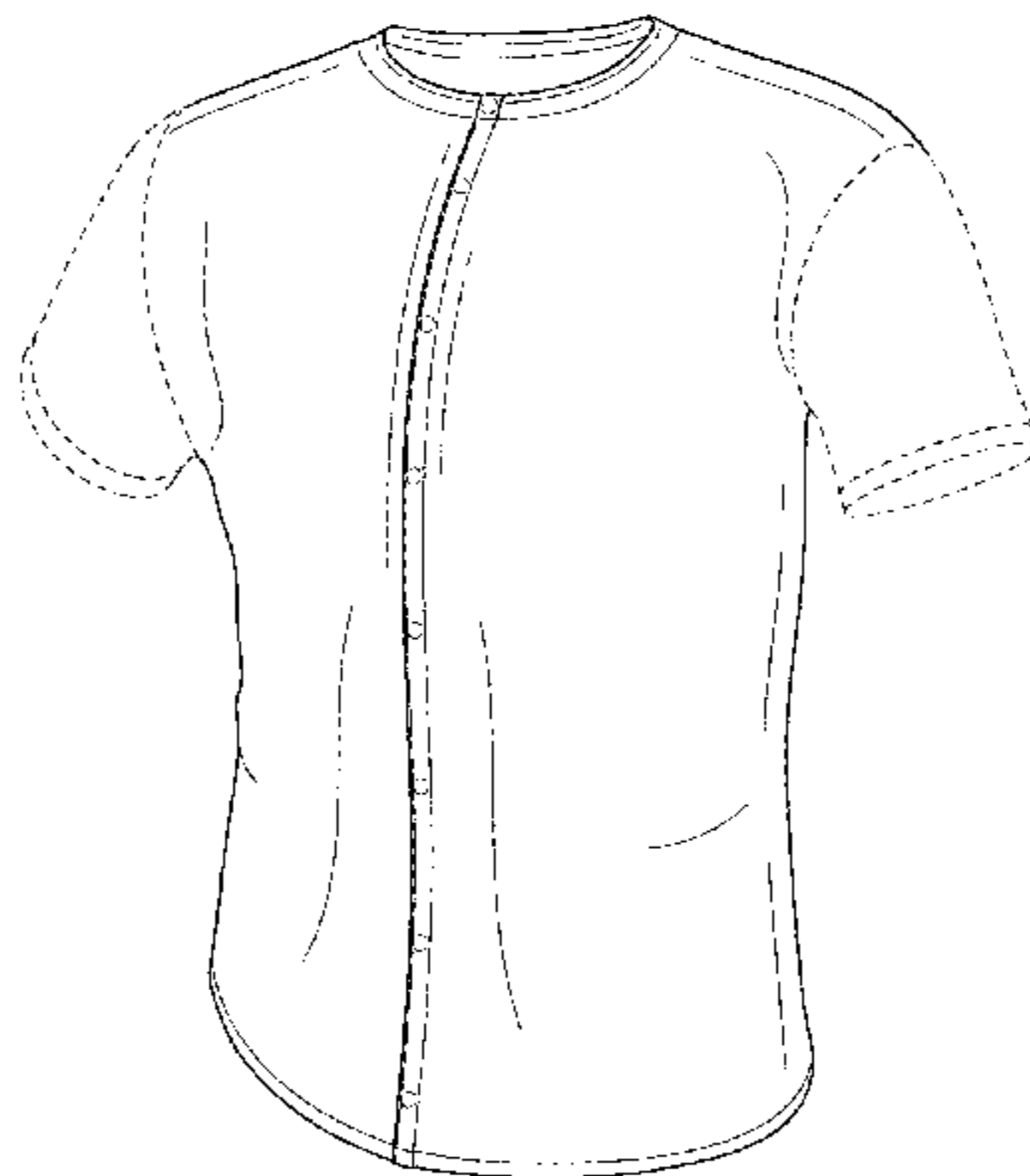


FIG. 20 is a detail view of another area shown circled in FIG. 12;
 FIG. 21 is a detail view of another area shown circled in FIG. 12;
 FIG. 22 is a detail view of one area shown circled in FIG. 13;
 FIG. 23 is a detail view of another area shown circled in FIG. 13;
 FIG. 24 is a detail view of another area shown circled in FIG. 13;
 FIG. 25 is a detail view of one area shown circled in FIG. 15;
 FIG. 26 is a detail view of another area shown circled in FIG. 15;
 FIG. 27 is a detail view of one area shown circled in FIG. 16;
 FIG. 28 is a detail view of one area shown circled in FIG. 17;
 FIG. 29 is a detail view of another area shown circled in FIG. 17;
 FIG. 30 is a detail view of another area shown circled in FIG. 17;
 FIG. 31 is a front perspective view according to a second embodiment of garment with closures in the two top closures open position;
 FIG. 32 is a front view thereof;
 FIG. 33 is a rear view thereof;
 FIG. 34 is a right side view thereof;
 FIG. 35 is a left side view thereof;
 FIG. 36 is a top plan view thereof;
 FIG. 37 is a bottom plan view thereof;
 FIG. 38 is a detail view of one area shown circled in FIG. 31;
 FIG. 39 is a detail view of another area shown circled in FIG. 31;
 FIG. 40 is a detail view of another area shown circled in FIG. 31;
 FIG. 41 is a detail view of one area shown circled in FIG. 32;
 FIG. 42 is a detail view of another area shown circled in FIG. 32;
 FIG. 43 is a detail view of another area shown circled in FIG. 32;
 FIG. 44 is a detail view of one area shown circled in FIG. 34;
 FIG. 45 is a detail view of one area shown circled in FIG. 34;
 FIG. 46 is a detail view of one area shown circled in FIG. 35;
 FIG. 47 is a detail view of one area shown circled in FIG. 36;
 FIG. 48 is a detail view of another area shown circled in FIG. 36;
 FIG. 49 is a detail view of another area shown circled in FIG. 36;
 FIG. 50 is a front perspective view according to a third embodiment of garment with closures shown in the closed position;
 FIG. 51 is a front view thereof;
 FIG. 52 is a rear view thereof;
 FIG. 53 is a right side view thereof;
 FIG. 54 is a left side view thereof;
 FIG. 55 is a top plan view thereof;
 FIG. 56 is a bottom plan view thereof;
 FIG. 57 is a detail view of the area shown circled in FIG. 53;
 FIG. 58 is a detail view of the area shown circled in FIG. 54;
 FIG. 59 is a detail view of one area shown circled in FIG. 55;
 FIG. 60 is a detail view of another area shown circled in FIG. 56;

FIG. 61 is a front perspective view according to a third embodiment of garment with closures shown in the two top closures open position;
 FIG. 62 is a front view thereof;
 FIG. 63 is a rear view thereof;
 FIG. 64 is a right side view thereof;
 FIG. 65 is a left side view thereof;
 FIG. 66 is a top plan view thereof;
 FIG. 67 is a bottom plan view thereof;
 FIG. 68 is a detail view of one area shown circled in FIG. 61;
 FIG. 69 is a detail view of another area shown circled in FIG. 61;
 FIG. 70 is a detail view of another area shown circled in FIG. 61;
 FIG. 71 is a detail view of one area shown circled in FIG. 62;
 FIG. 72 is a detail view of another area shown circled in FIG. 62;
 FIG. 73 is a detail view of another area shown circled in FIG. 62;
 FIG. 74 is a detail view of one area shown circled in FIG. 64;
 FIG. 75 is a detail view of another area shown circled in FIG. 65;
 FIG. 76 is a detail view of one area shown circled in FIG. 65;
 FIG. 77 is a detail view of one area shown circled in FIG. 66;
 FIG. 78 is a detail view of another area shown circled in FIG. 66;
 FIG. 79 is a detail view of another area shown circled in FIG. 66;
 FIG. 80 is a front perspective view according to a fourth embodiment of garment with closures shown in the two top closures open position;
 FIG. 81 is a front view thereof;
 FIG. 82 is a rear view thereof;
 FIG. 83 is a right side view thereof;
 FIG. 84 is a left side view thereof;
 FIG. 85 is a top plan view thereof;
 FIG. 86 is a bottom plan view thereof;
 FIG. 87 is a detail view of one area shown circled in FIG. 80;
 FIG. 88 is a detail view of another area shown circled in FIG. 80;
 FIG. 89 is a detail view of another area shown circled in FIG. 80;
 FIG. 90 is a detail view of one area shown circled in FIG. 81;
 FIG. 91 is a detail view of another area shown circled in FIG. 81;
 FIG. 92 is a detail view of another area shown circled in FIG. 81;
 FIG. 93 is a detail view of one area shown circled in FIG. 83;
 FIG. 94 is a detail view of one area shown circled in FIG. 84;
 FIG. 95 is a detail view of one area shown circled in FIG. 84;
 FIG. 96 is a detail view of one area shown circled in FIG. 85;
 FIG. 97 is a detail view of another area shown circled in FIG. 85; and,
 FIG. 98 is a detail view of another area shown circled in FIG. 85.
 The broken lines shown on the drawings are included for the purpose of illustration and form no part of the claimed design.

FIG. 1

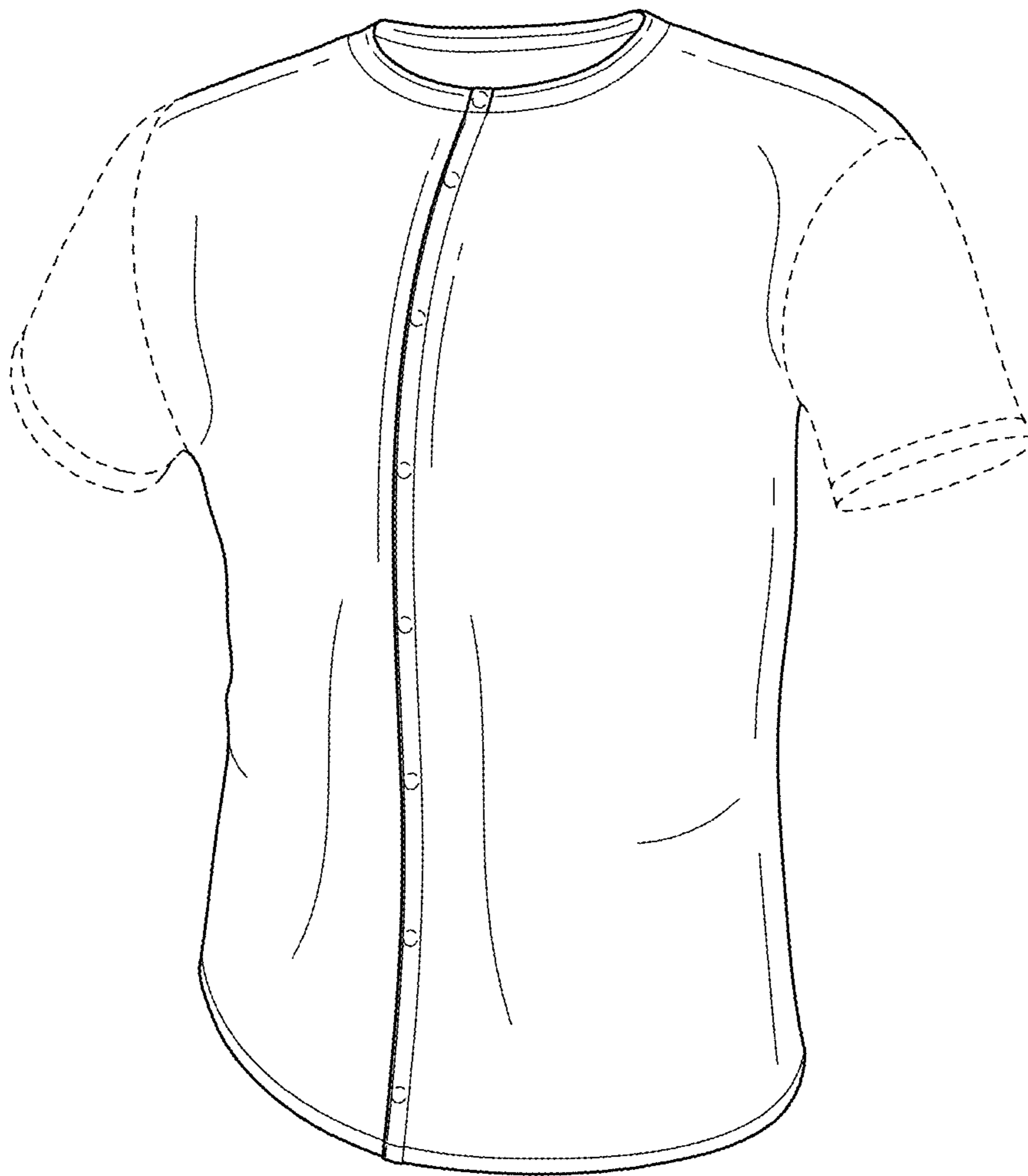


FIG. 2

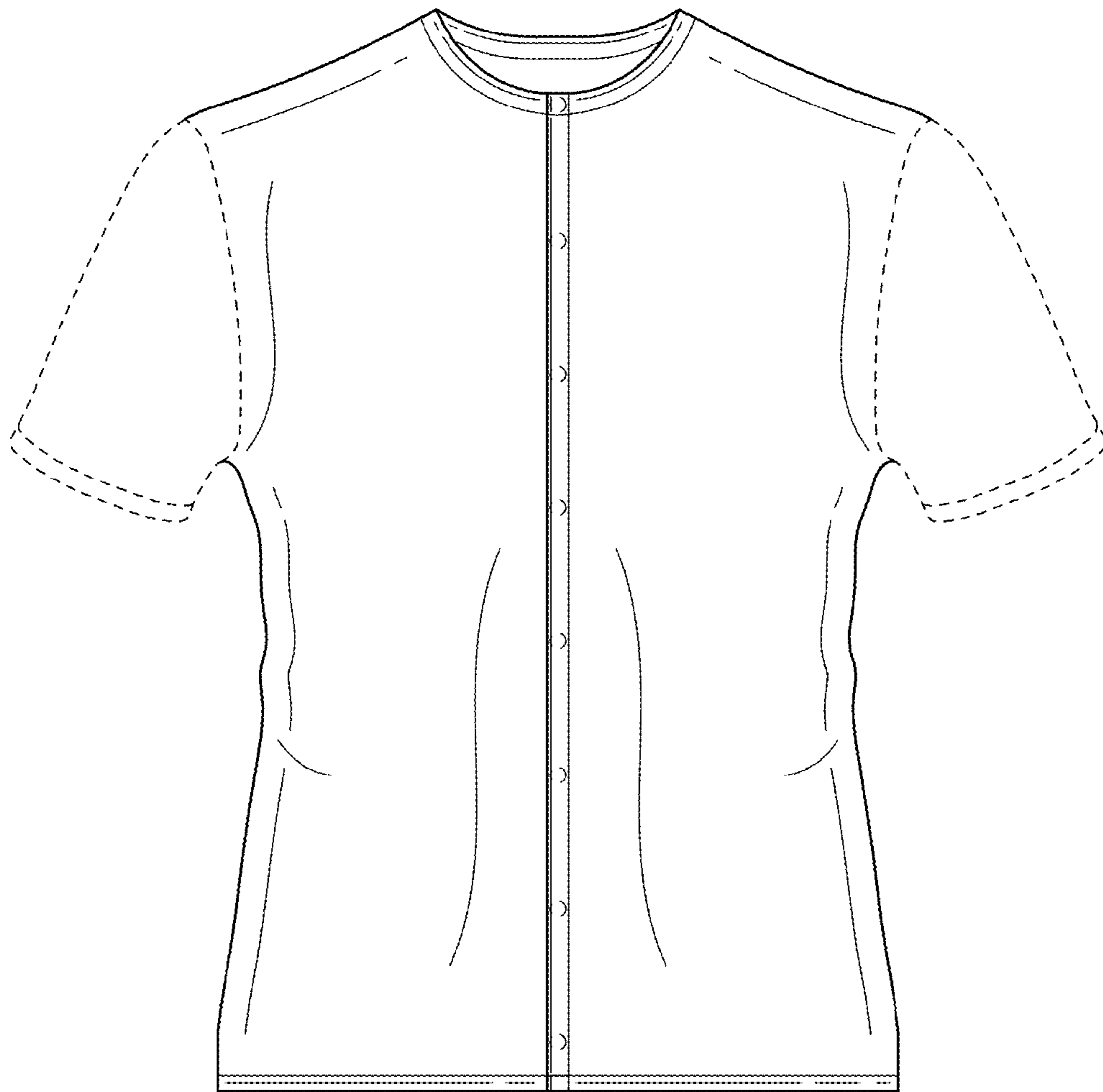


FIG. 3

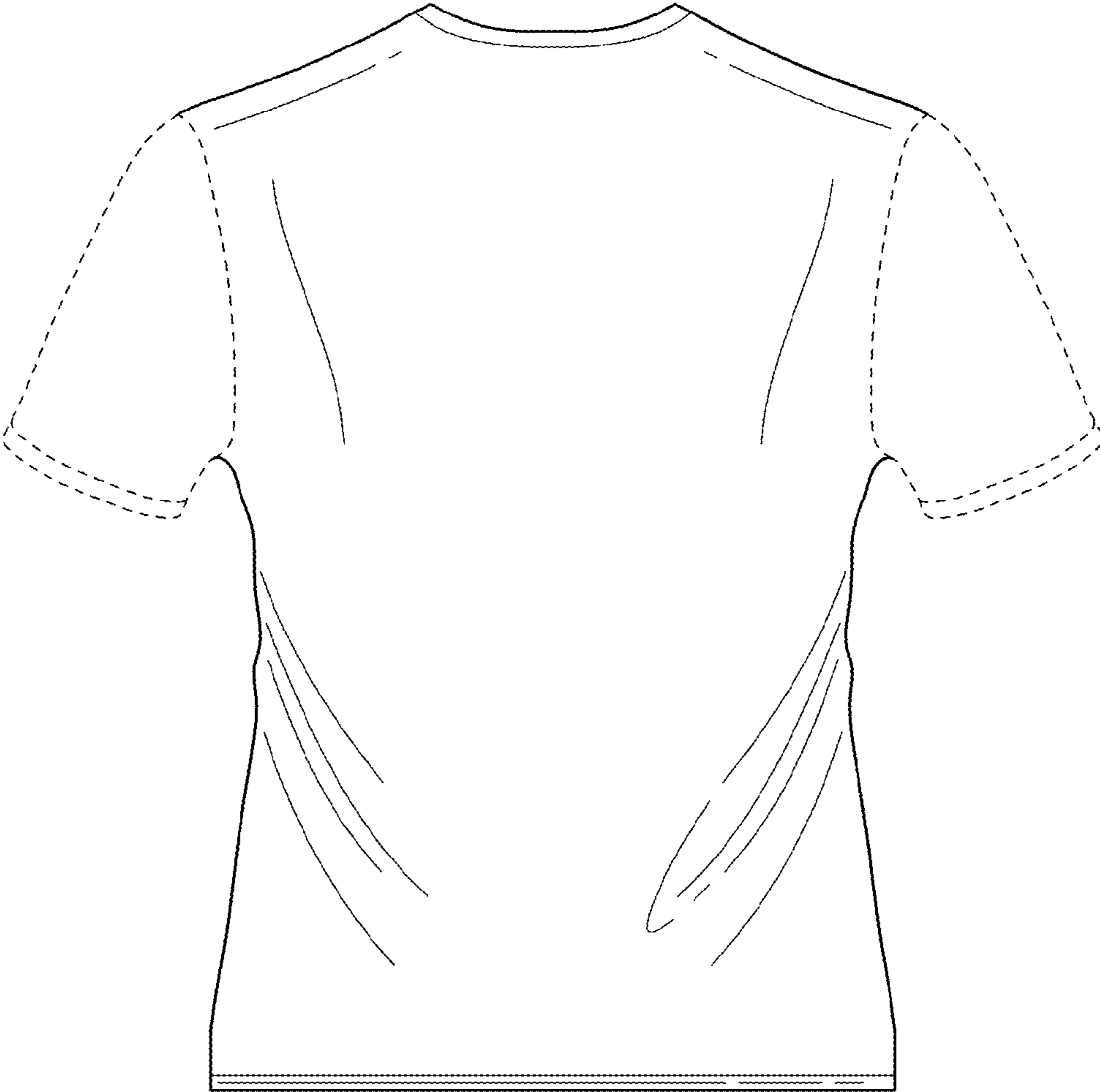


FIG. 4

FIG. 5

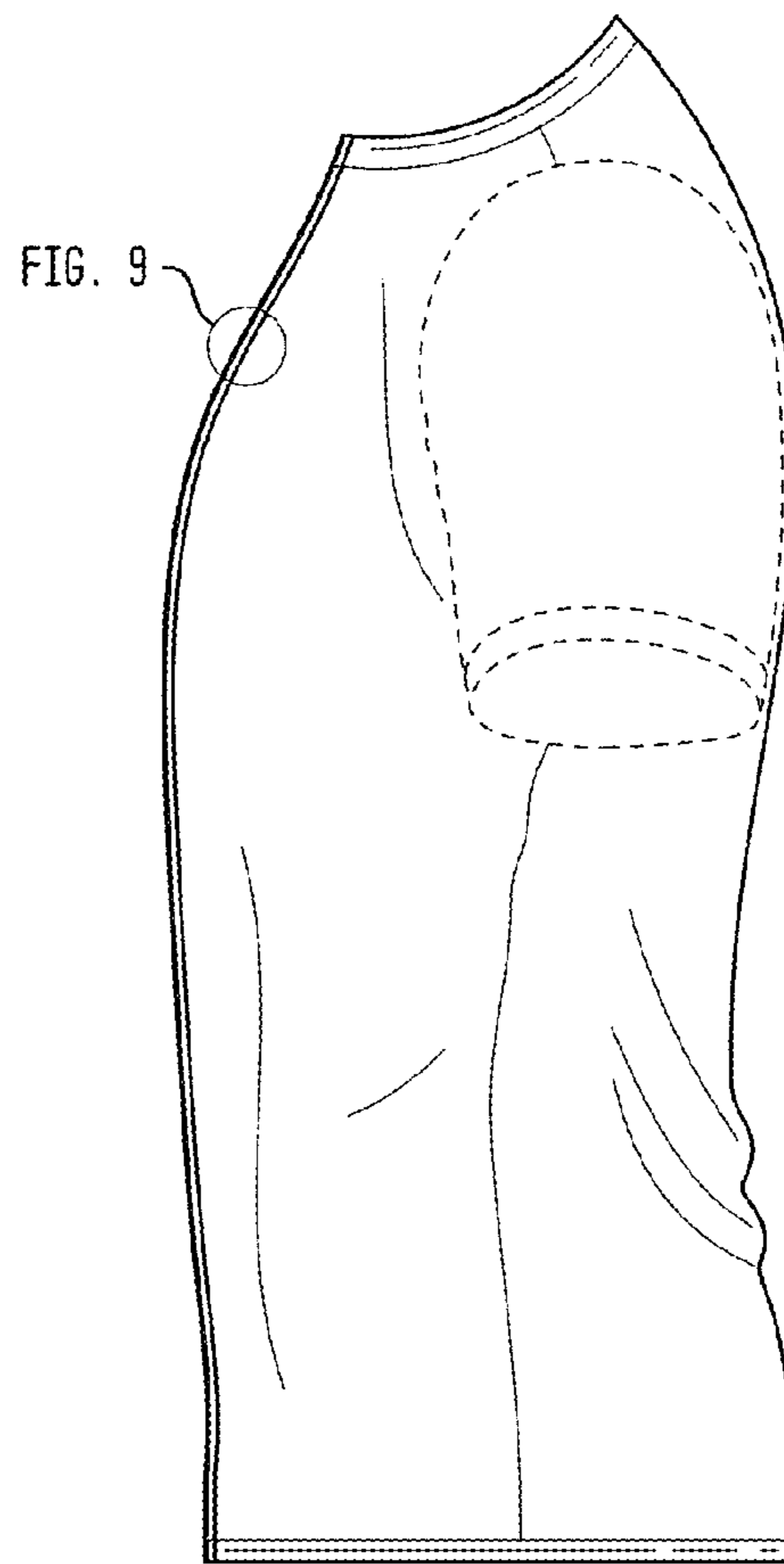
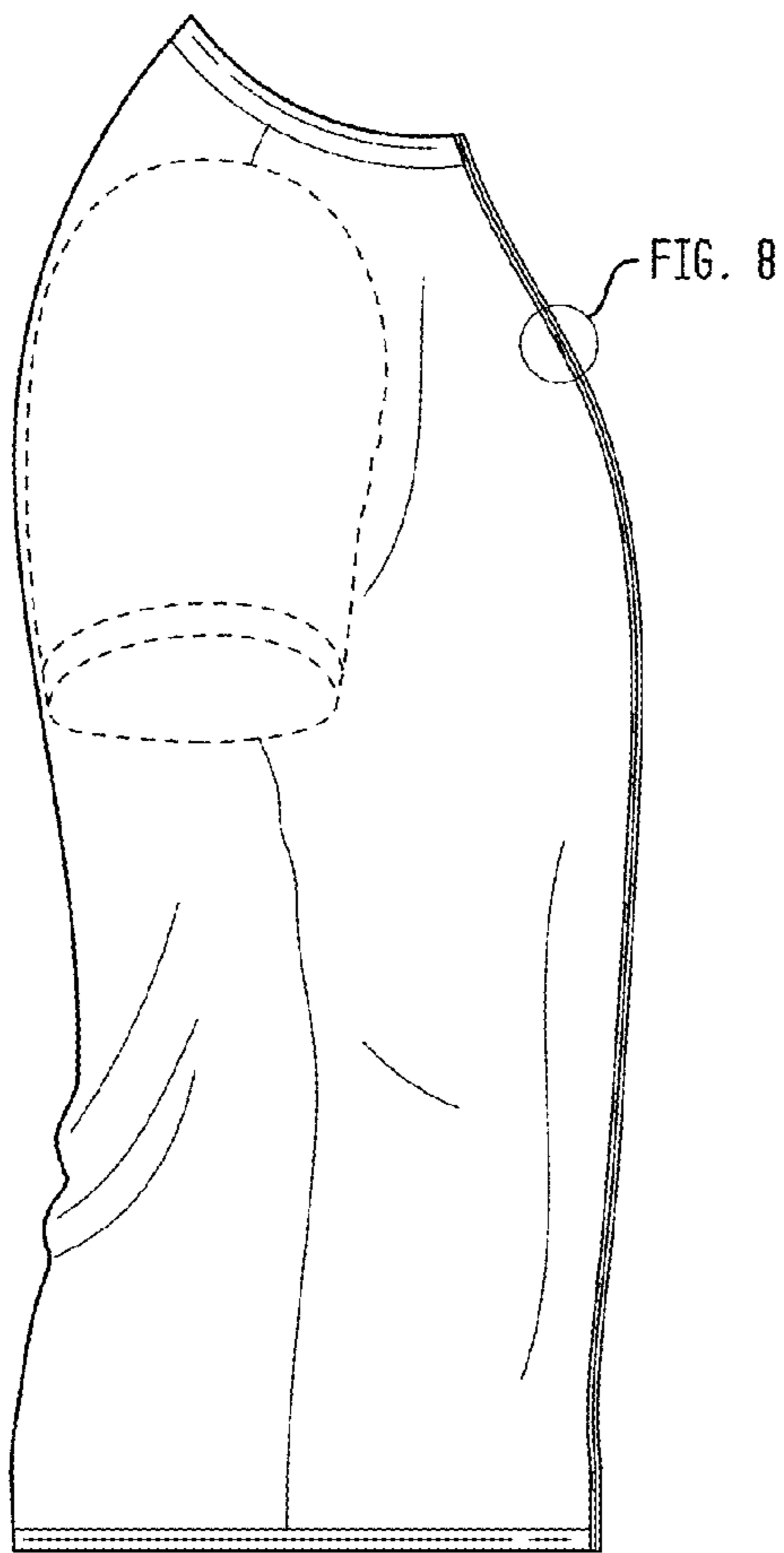


FIG. 6

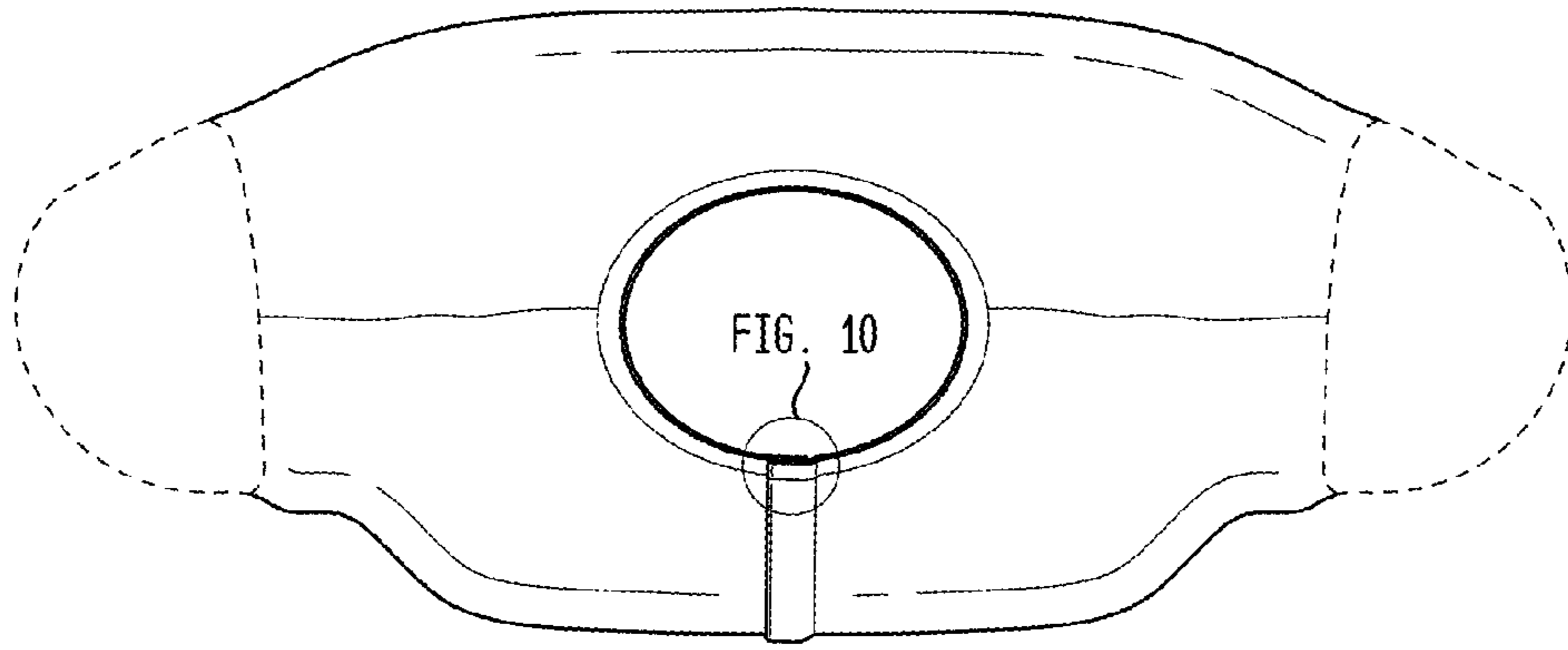


FIG. 7

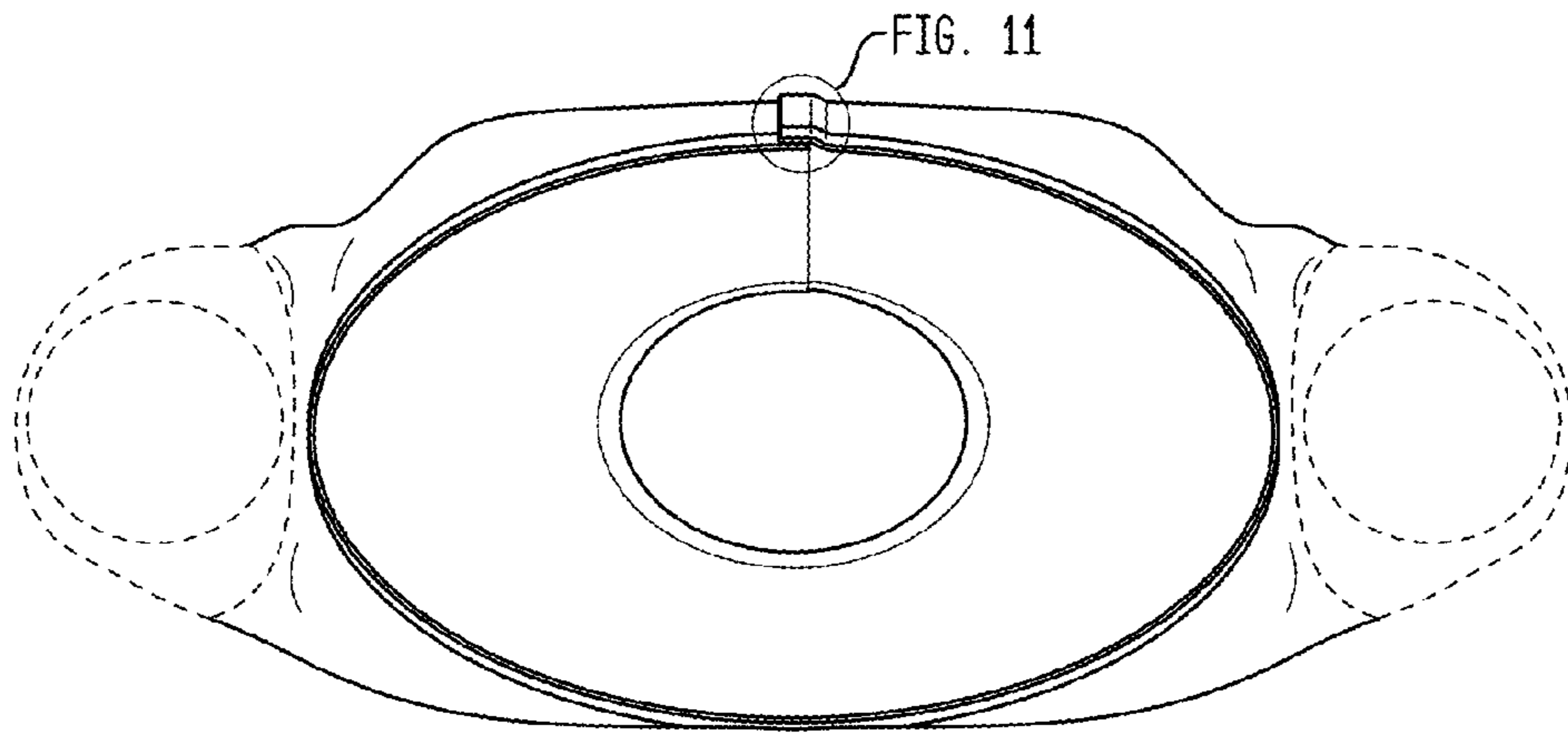


FIG. 8

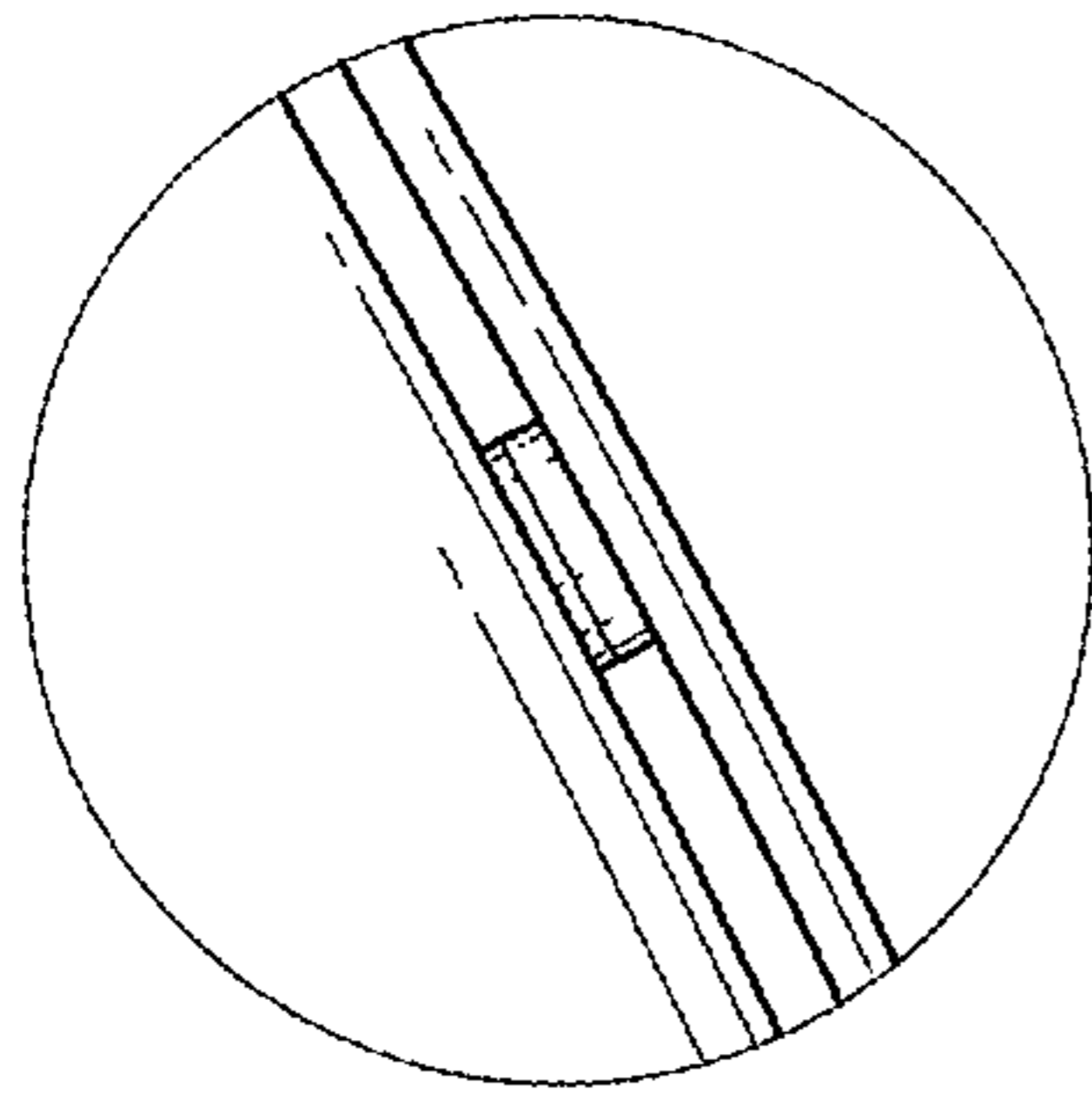


FIG. 9

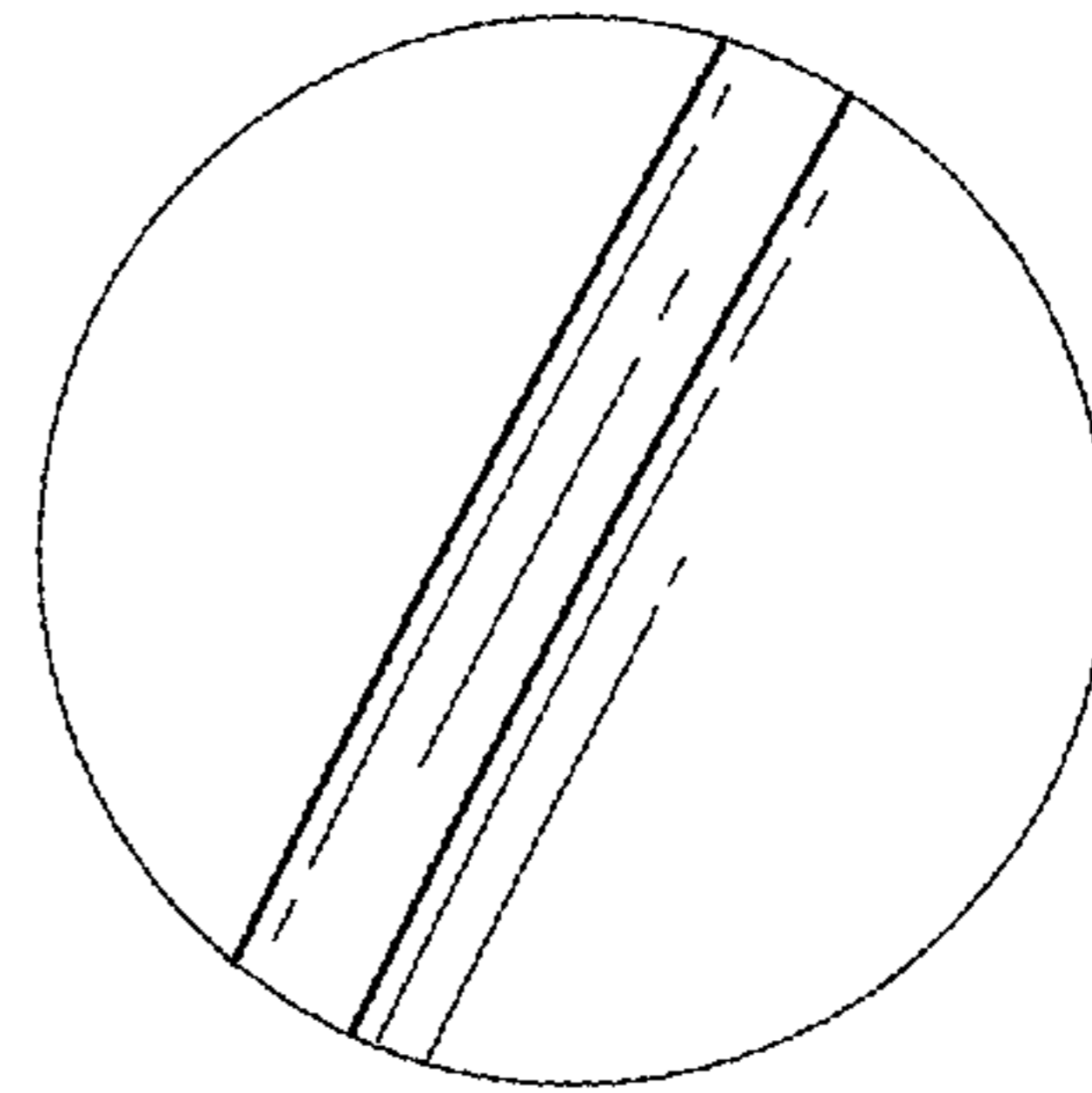


FIG. 10

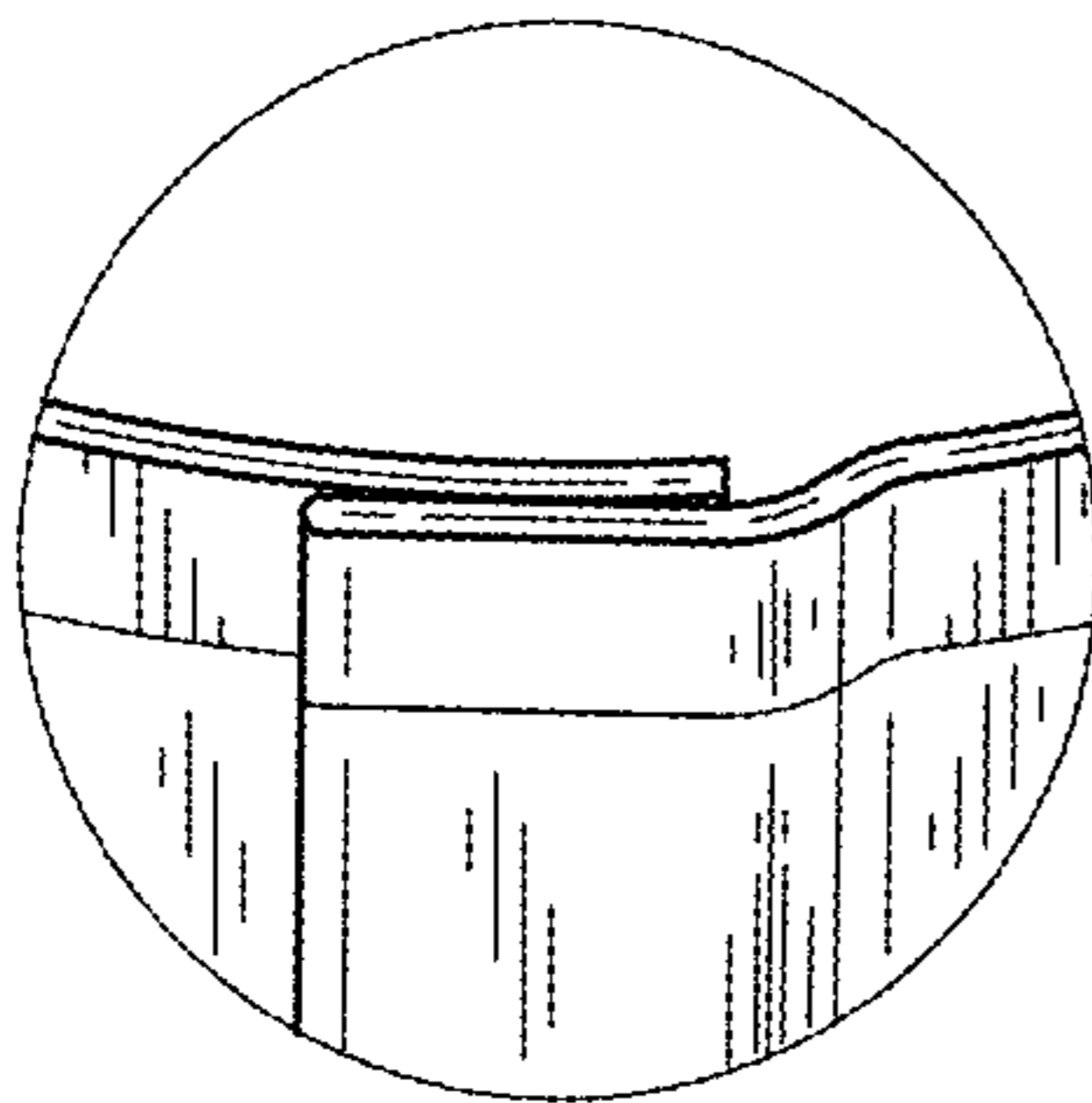


FIG. 11

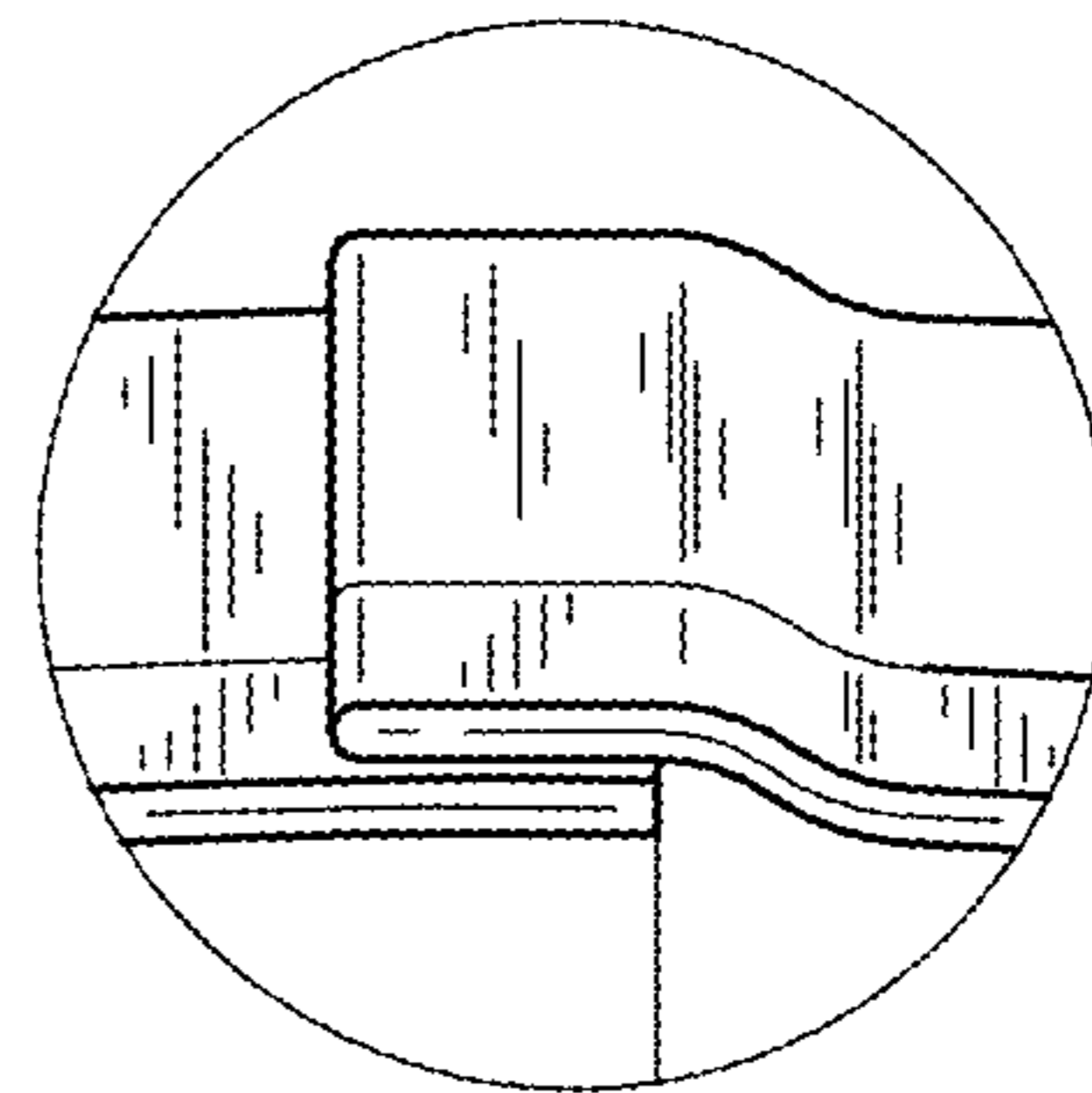


FIG. 12

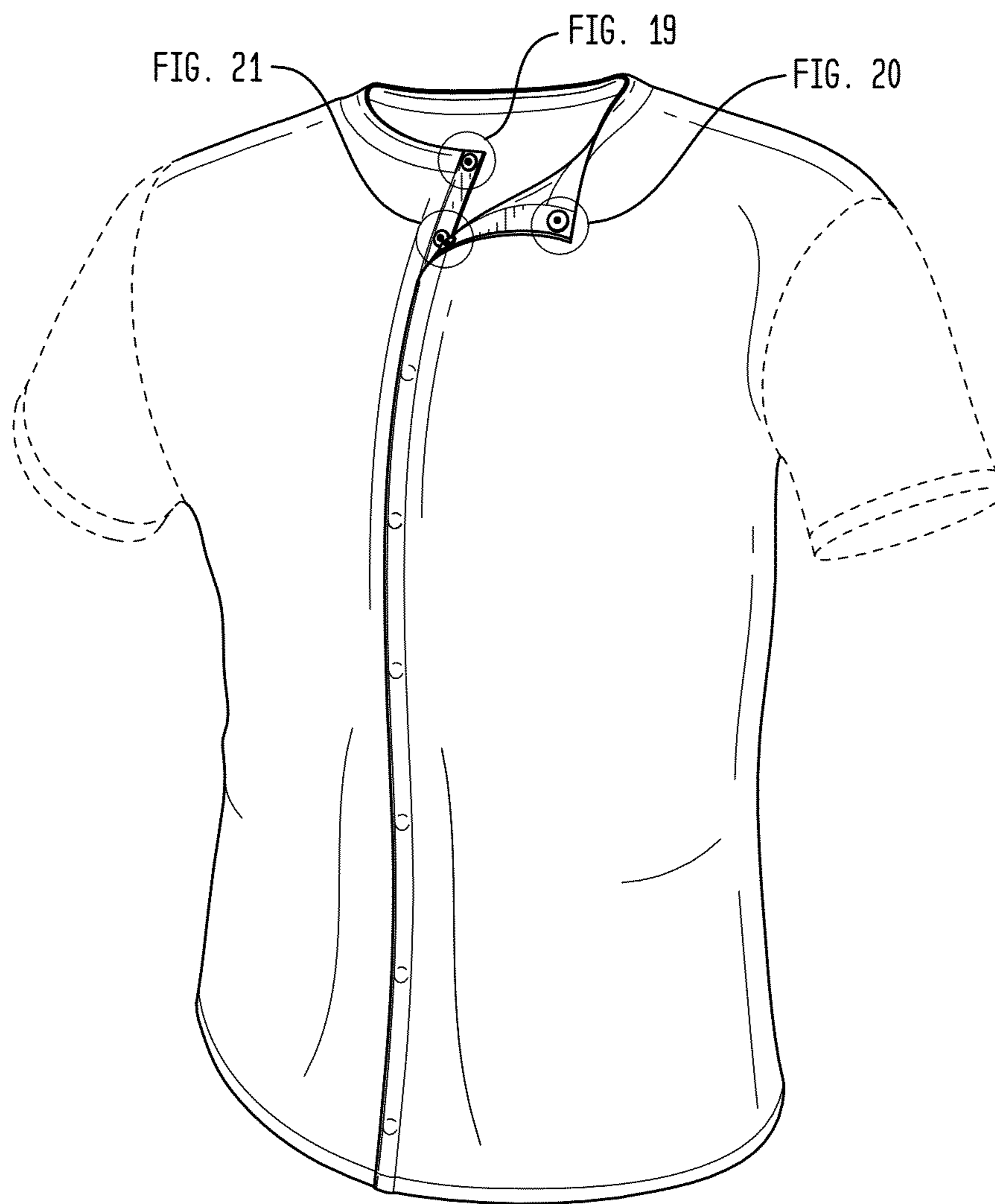


FIG. 13

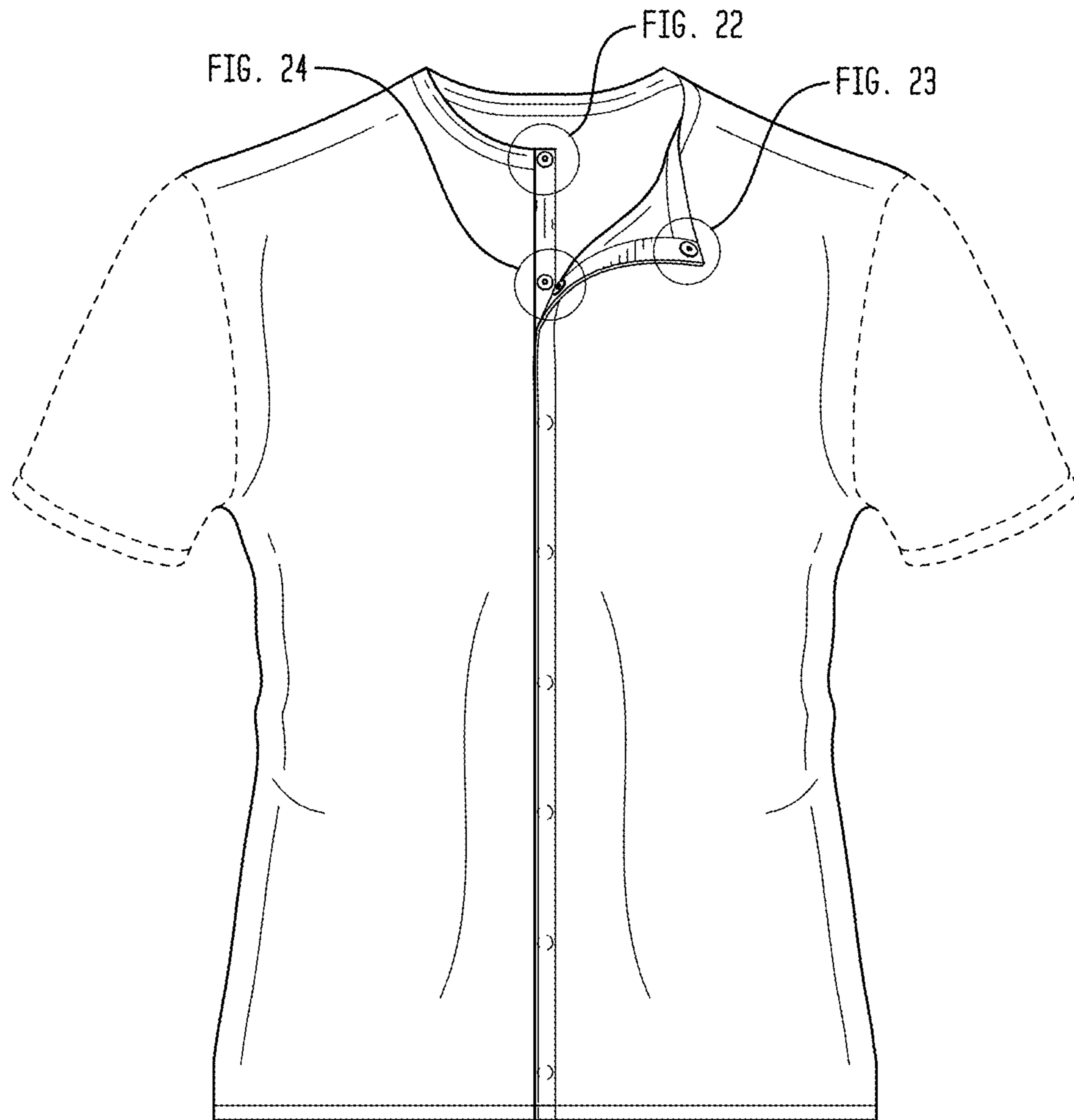


FIG. 14

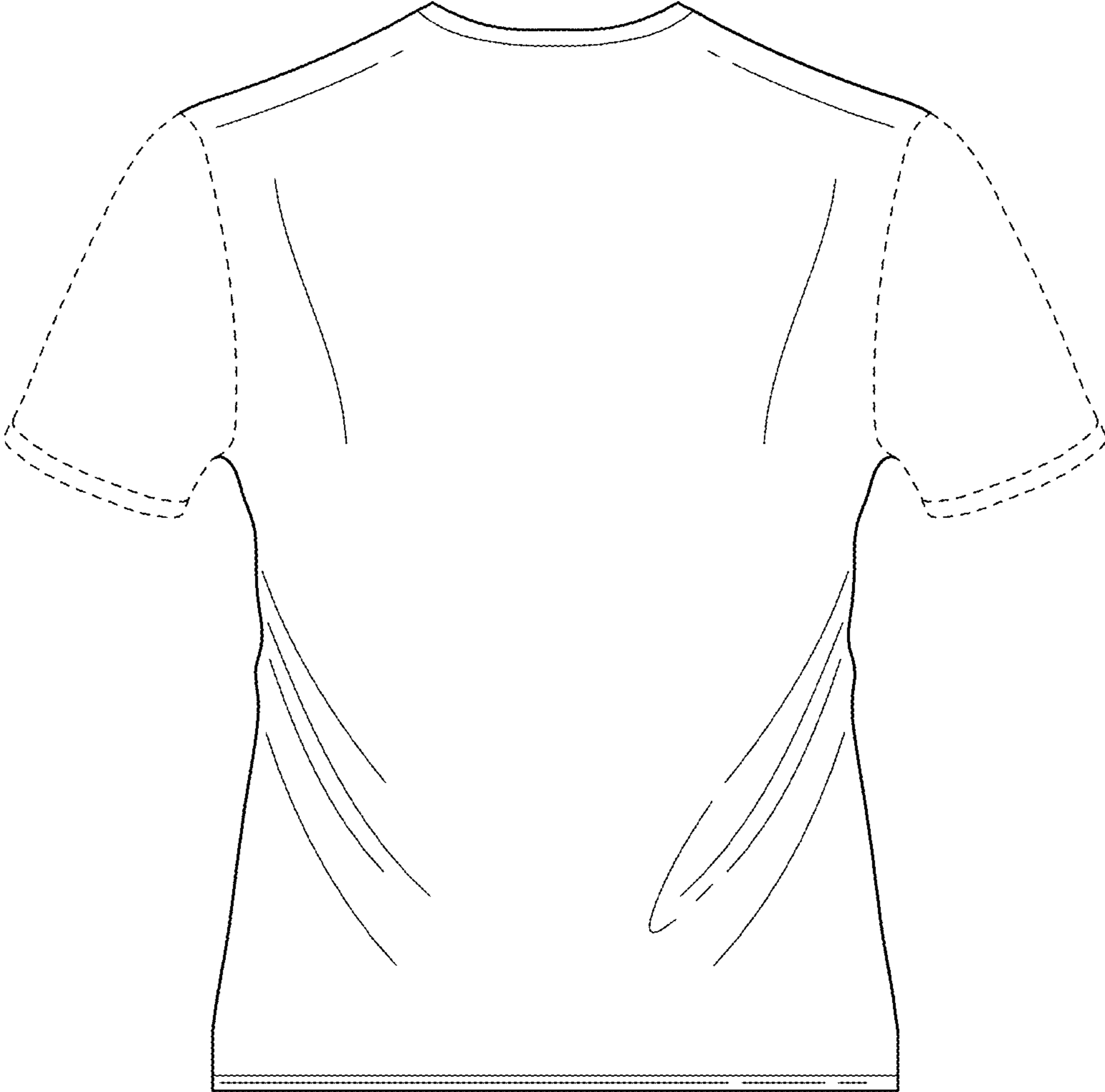


FIG. 15

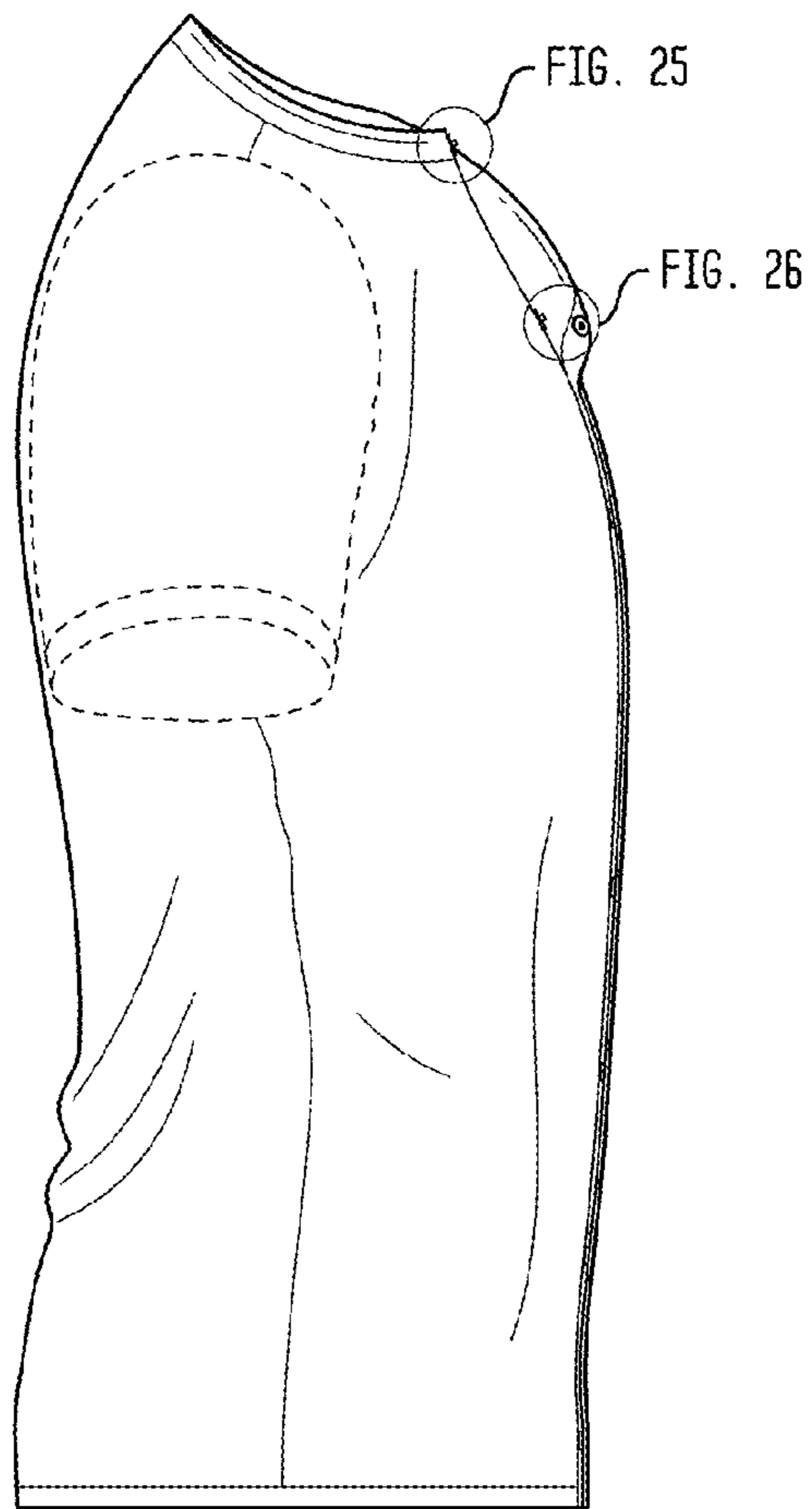


FIG. 16

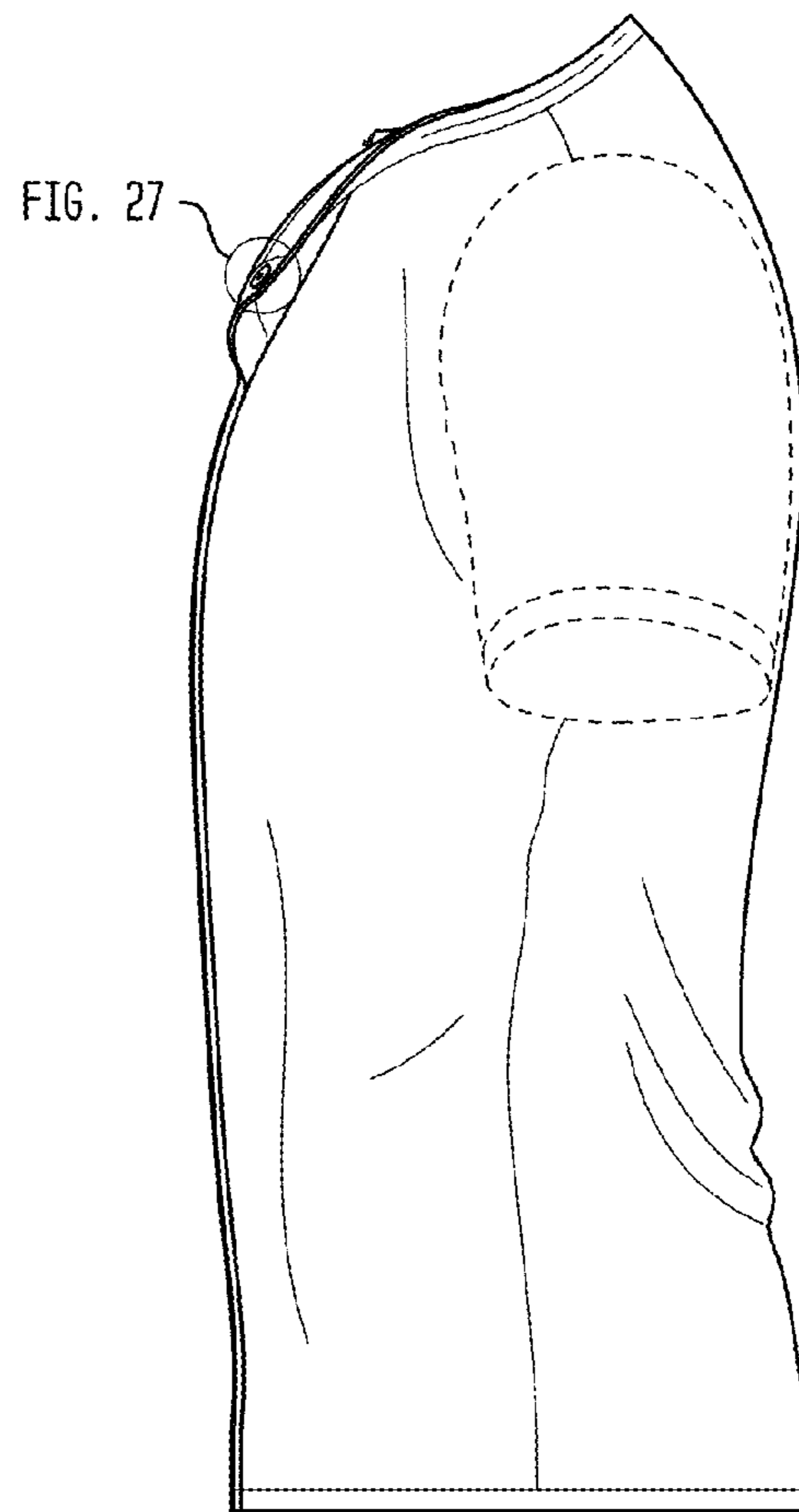


FIG. 17

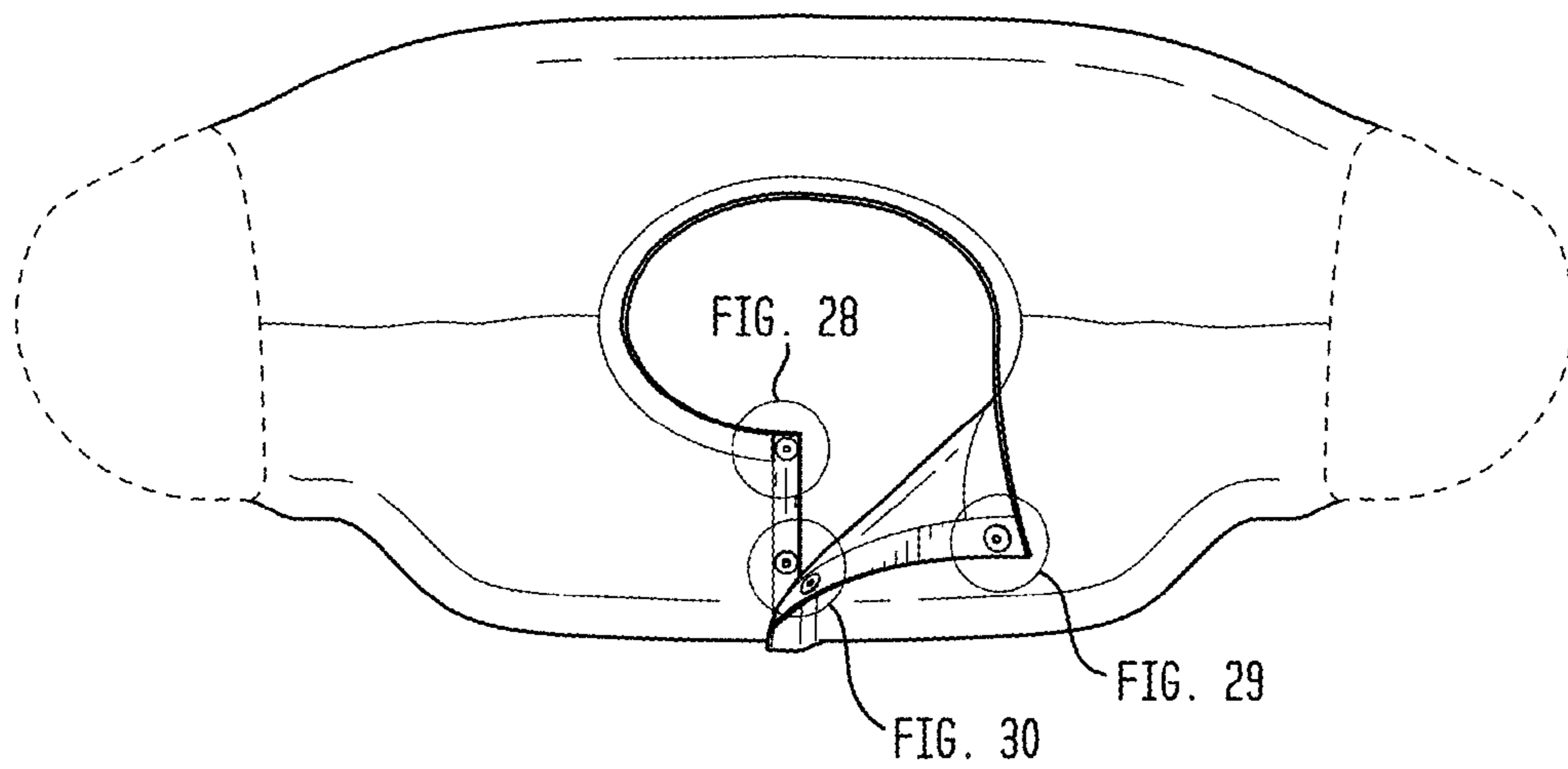


FIG. 18

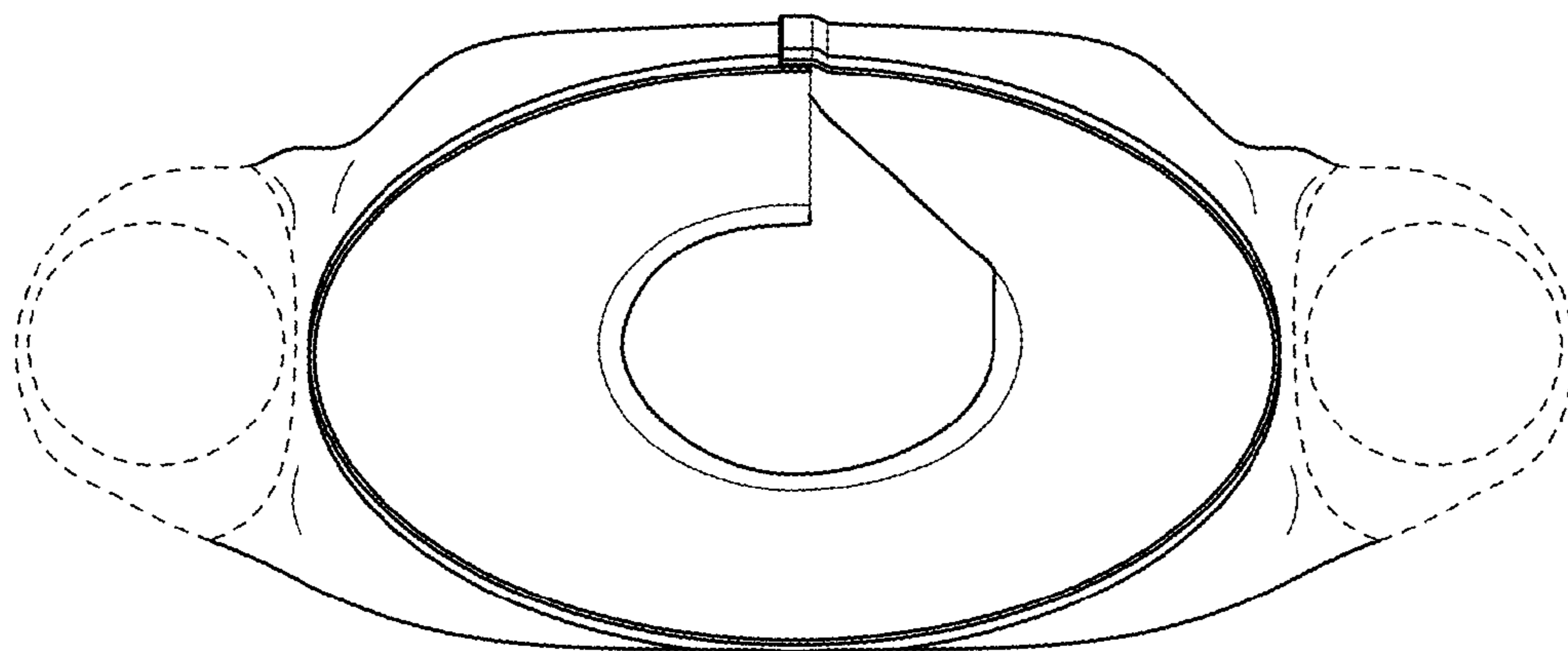


FIG. 19

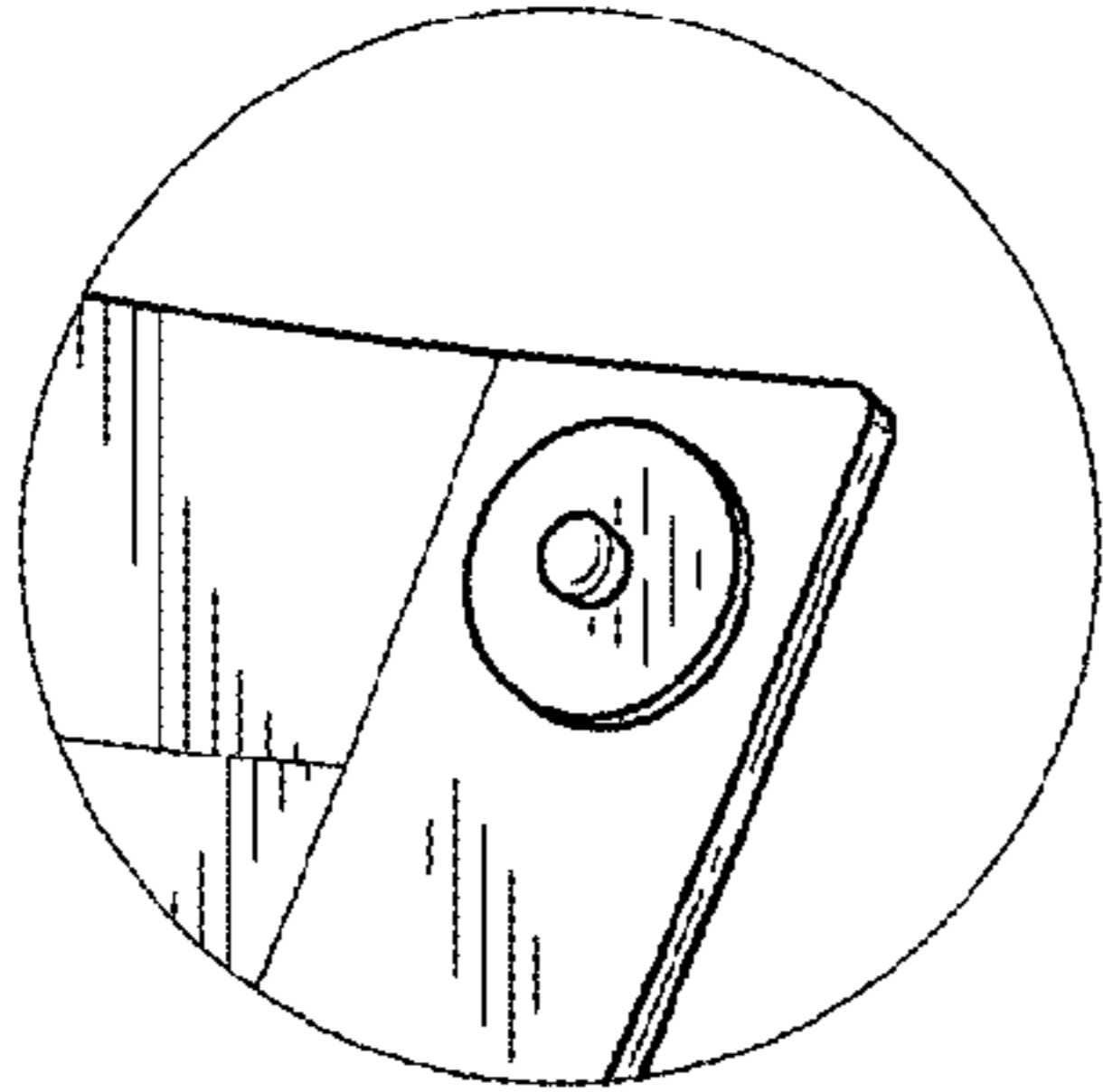


FIG. 20

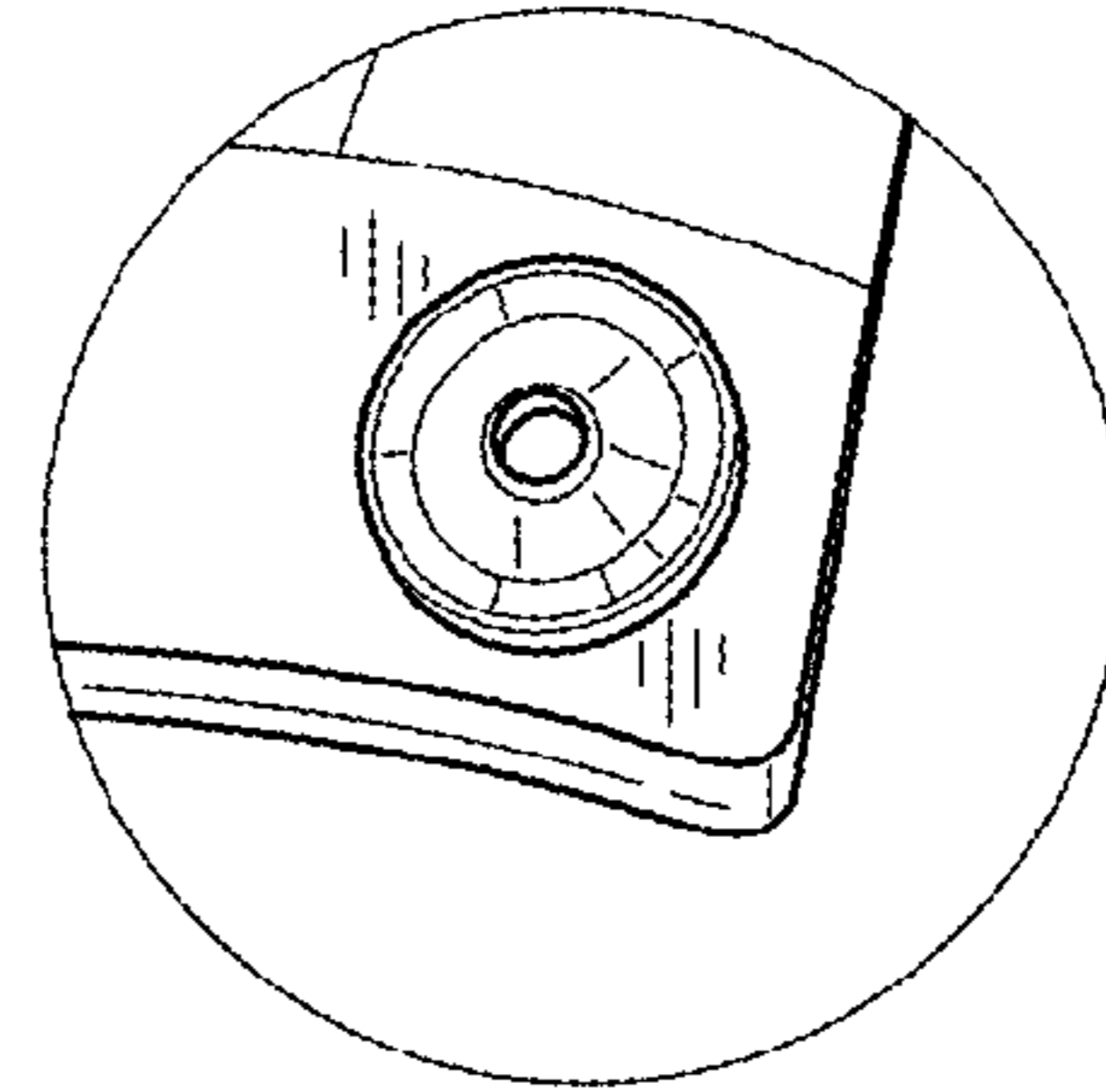


FIG. 21

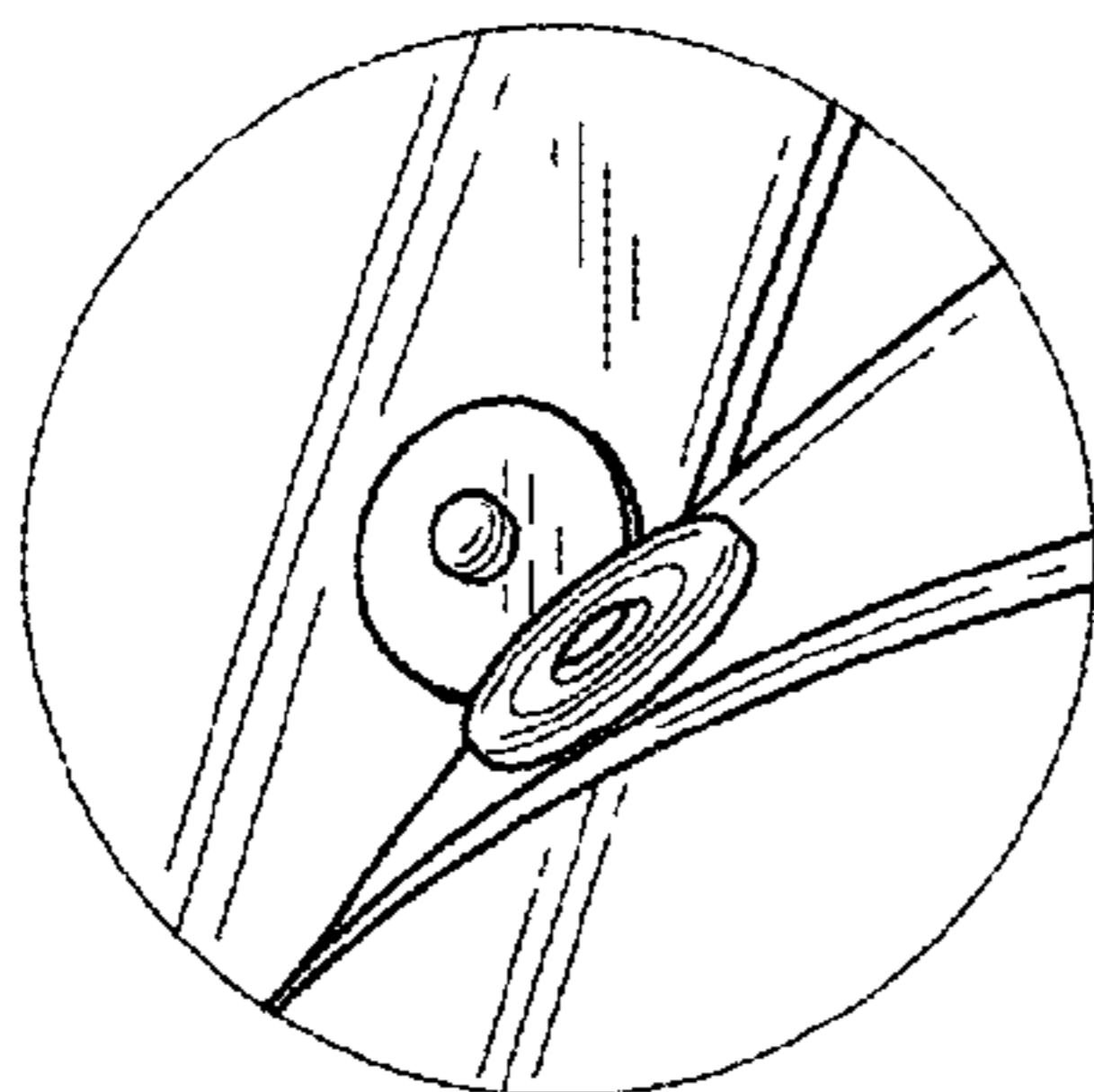


FIG. 22

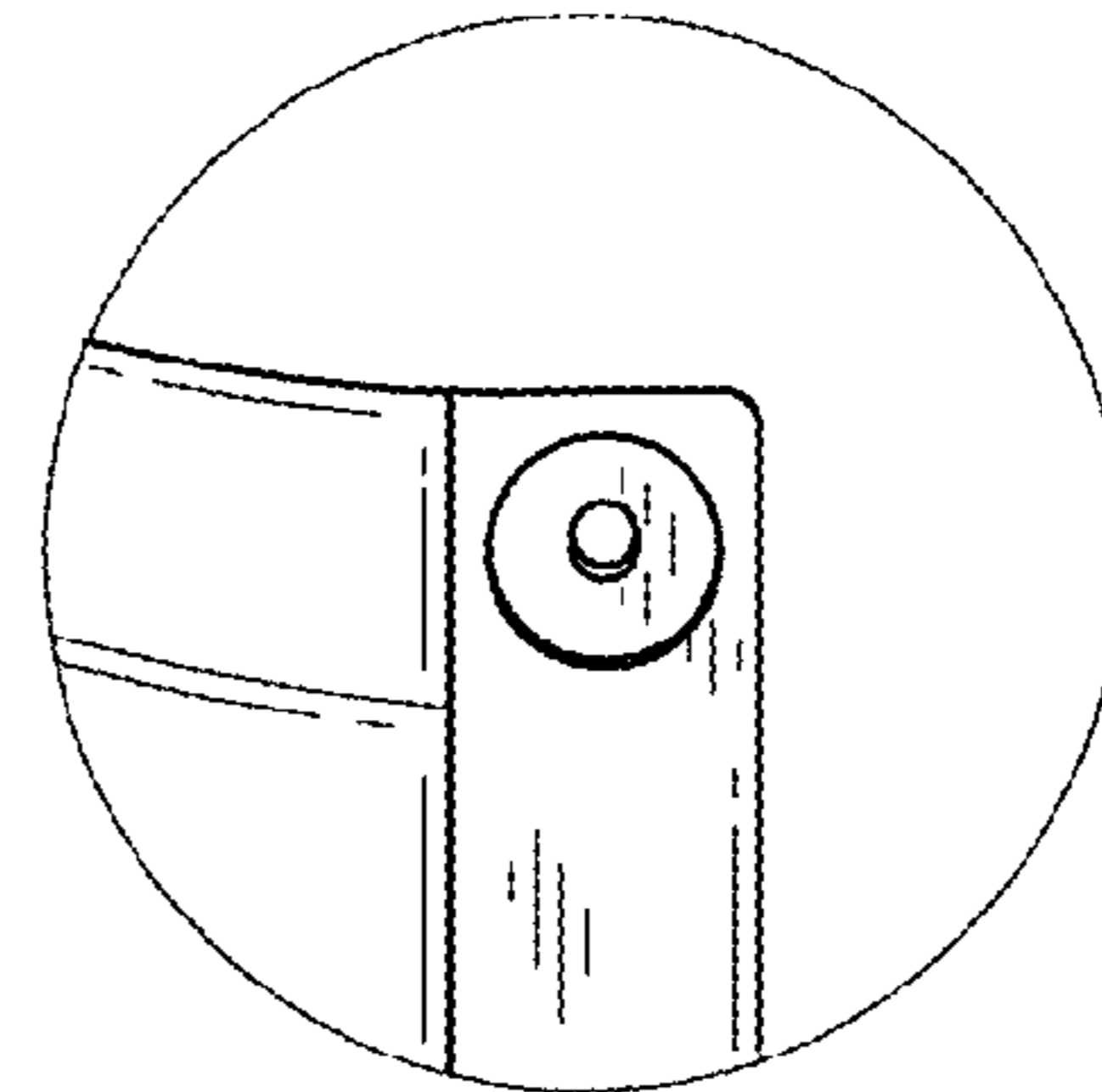


FIG. 23

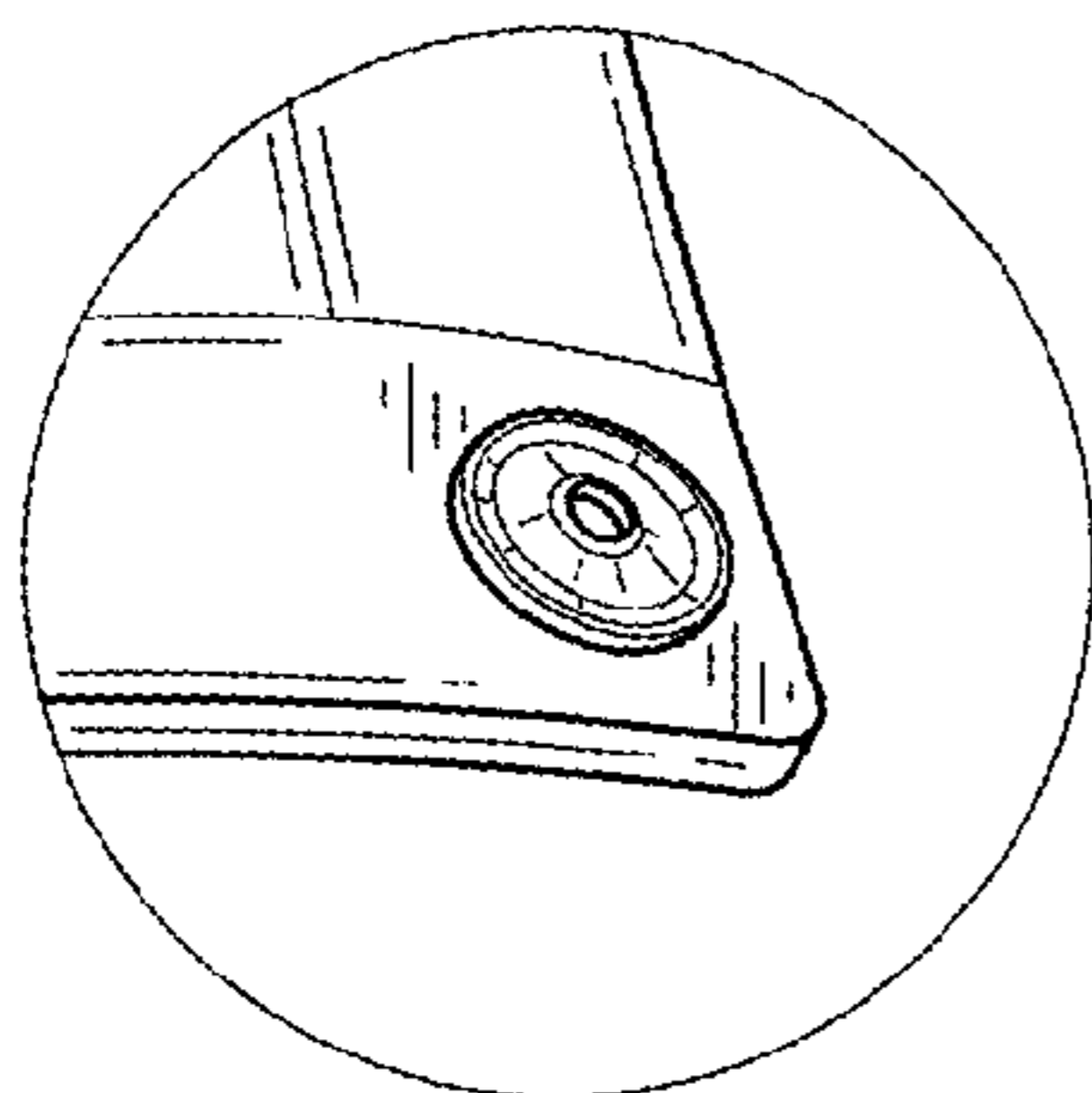


FIG. 24

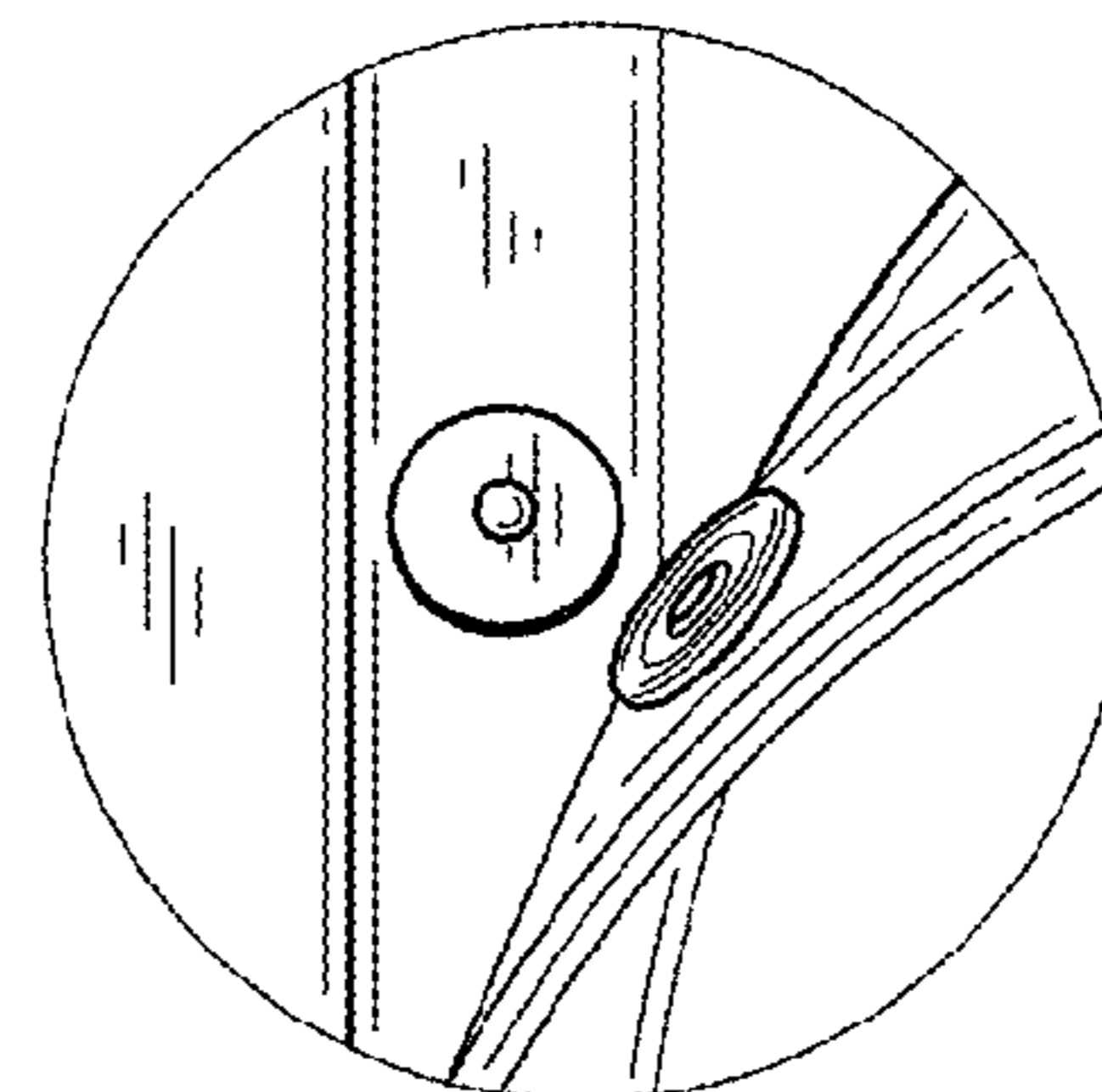


FIG. 25

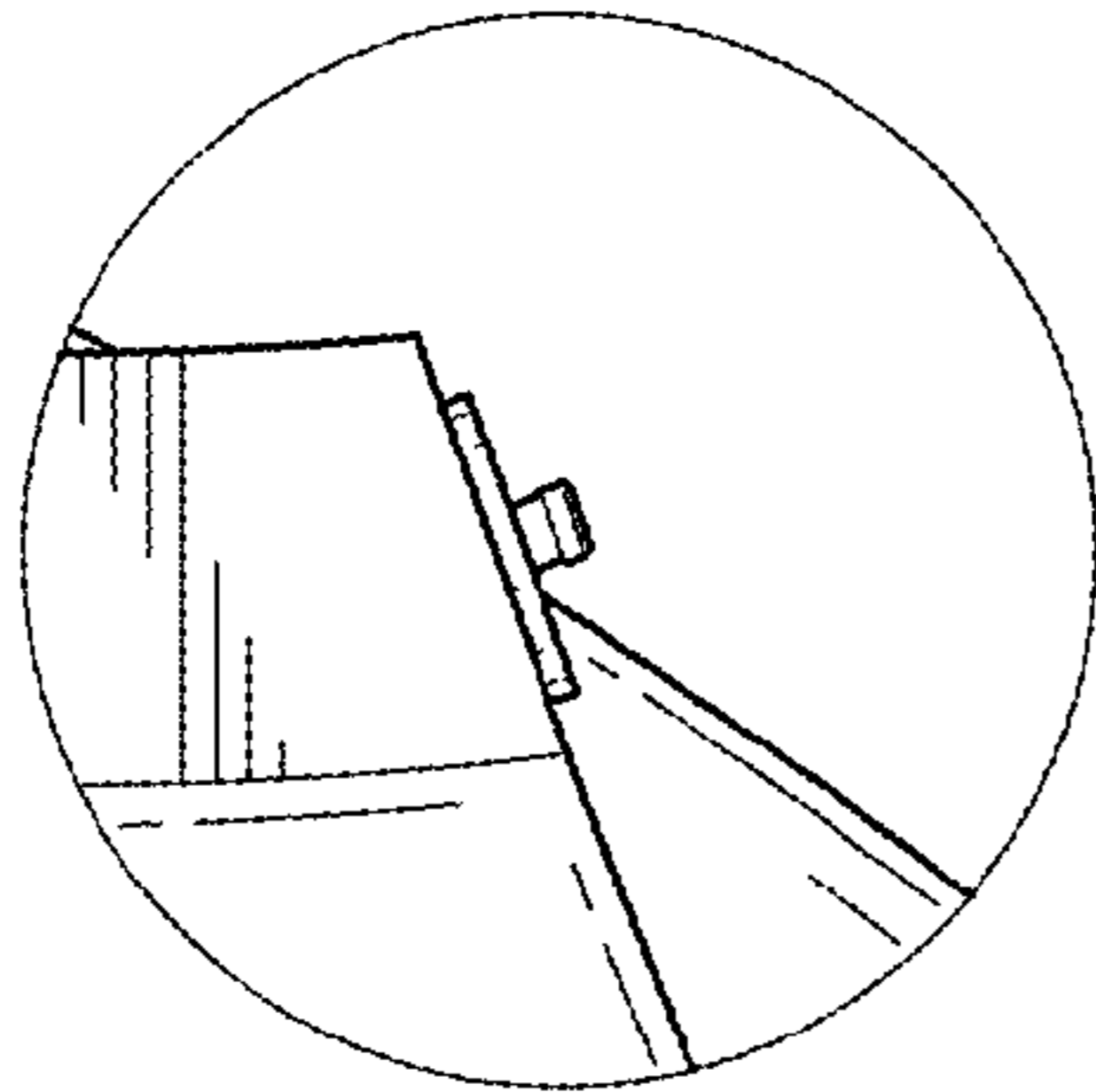


FIG. 26

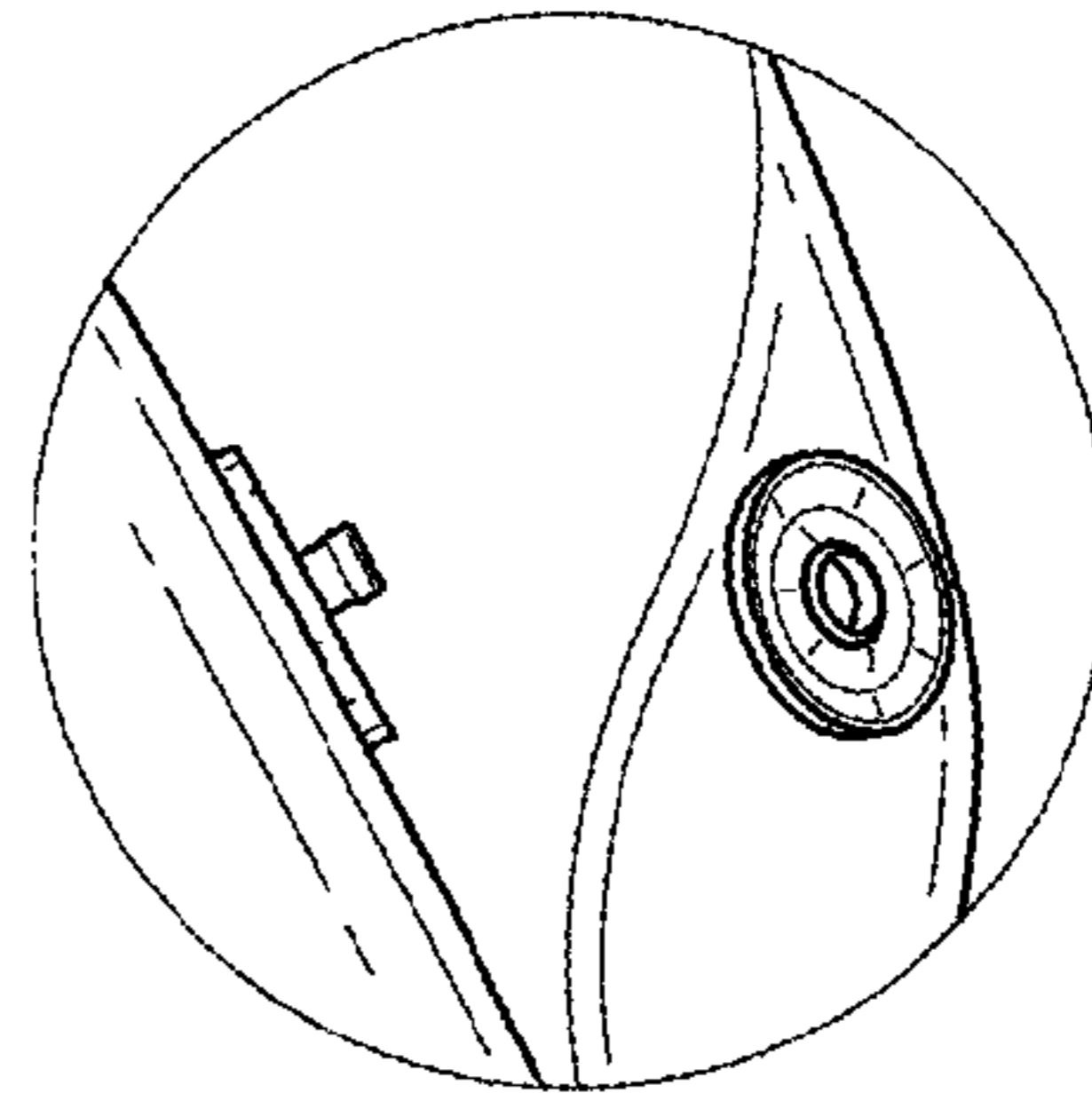


FIG. 27

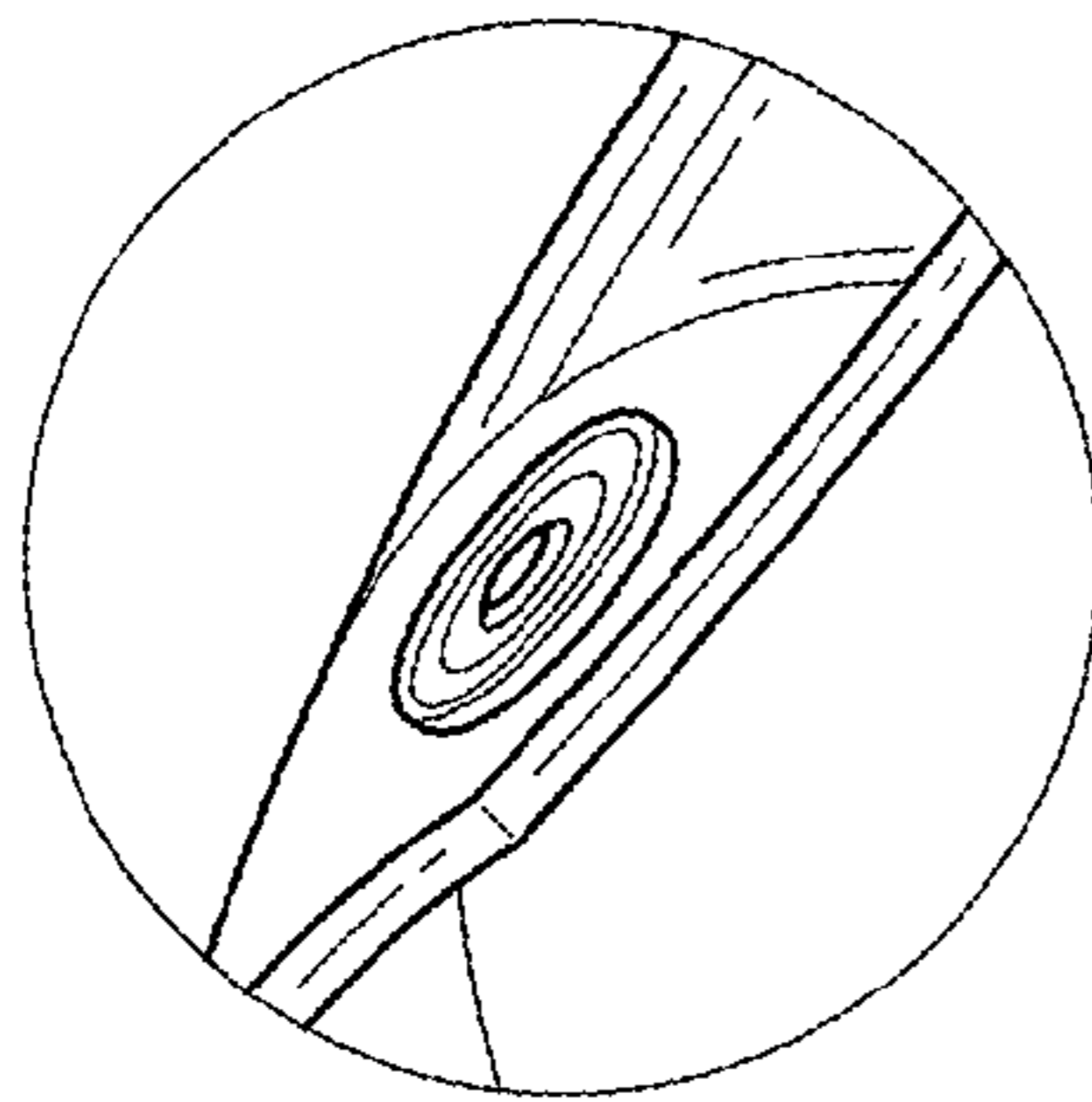


FIG. 28

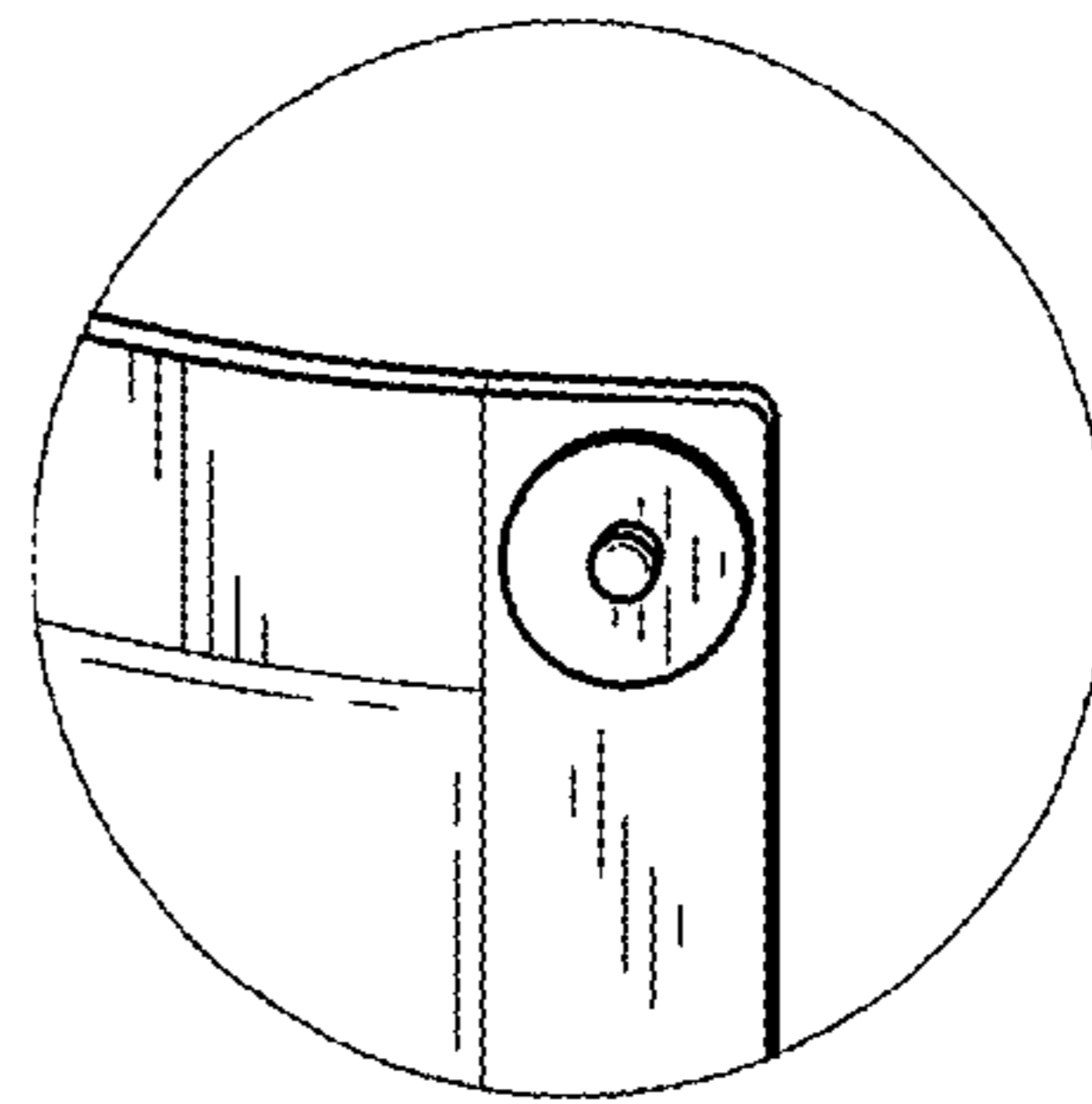


FIG. 29

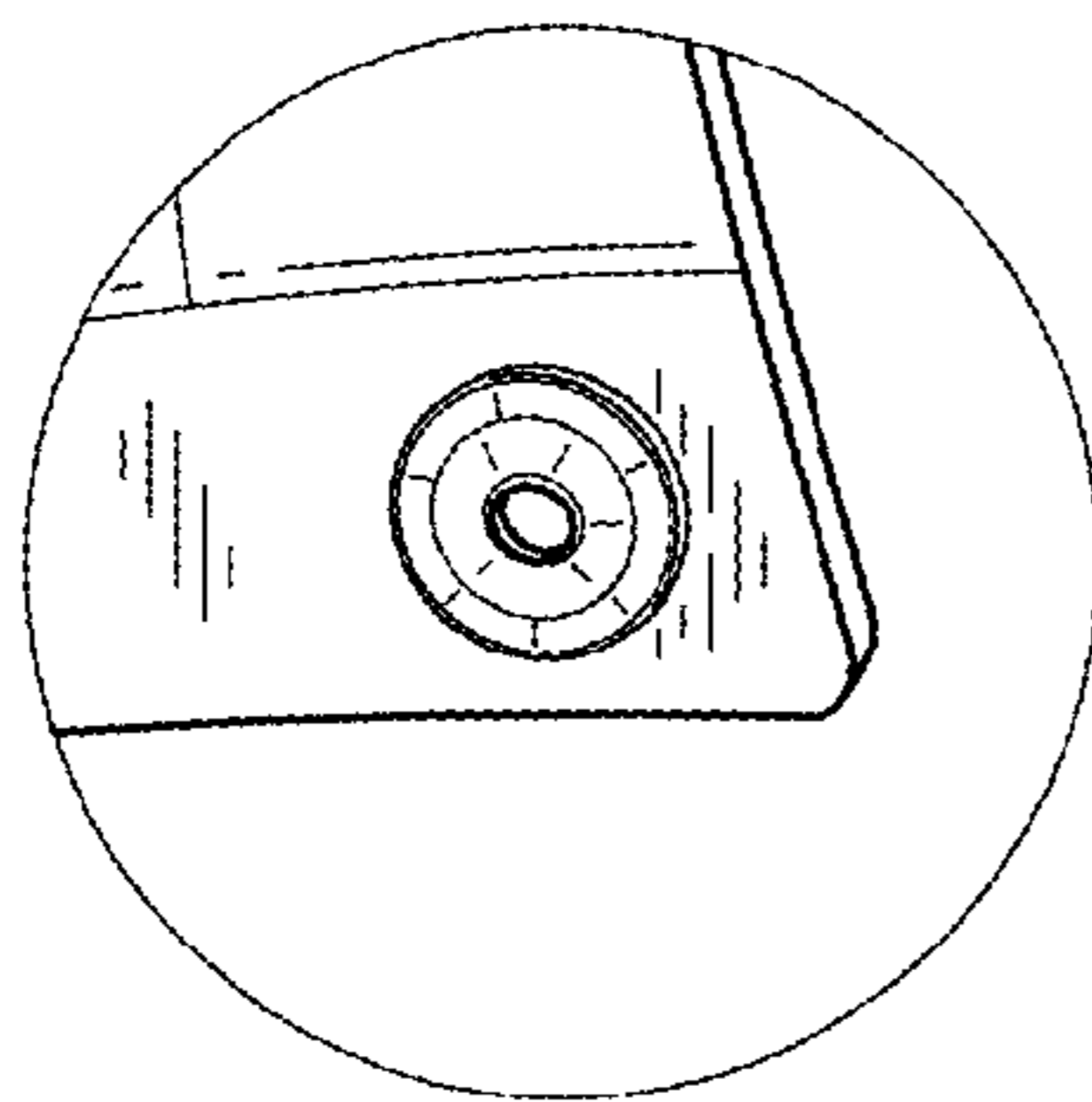


FIG. 30

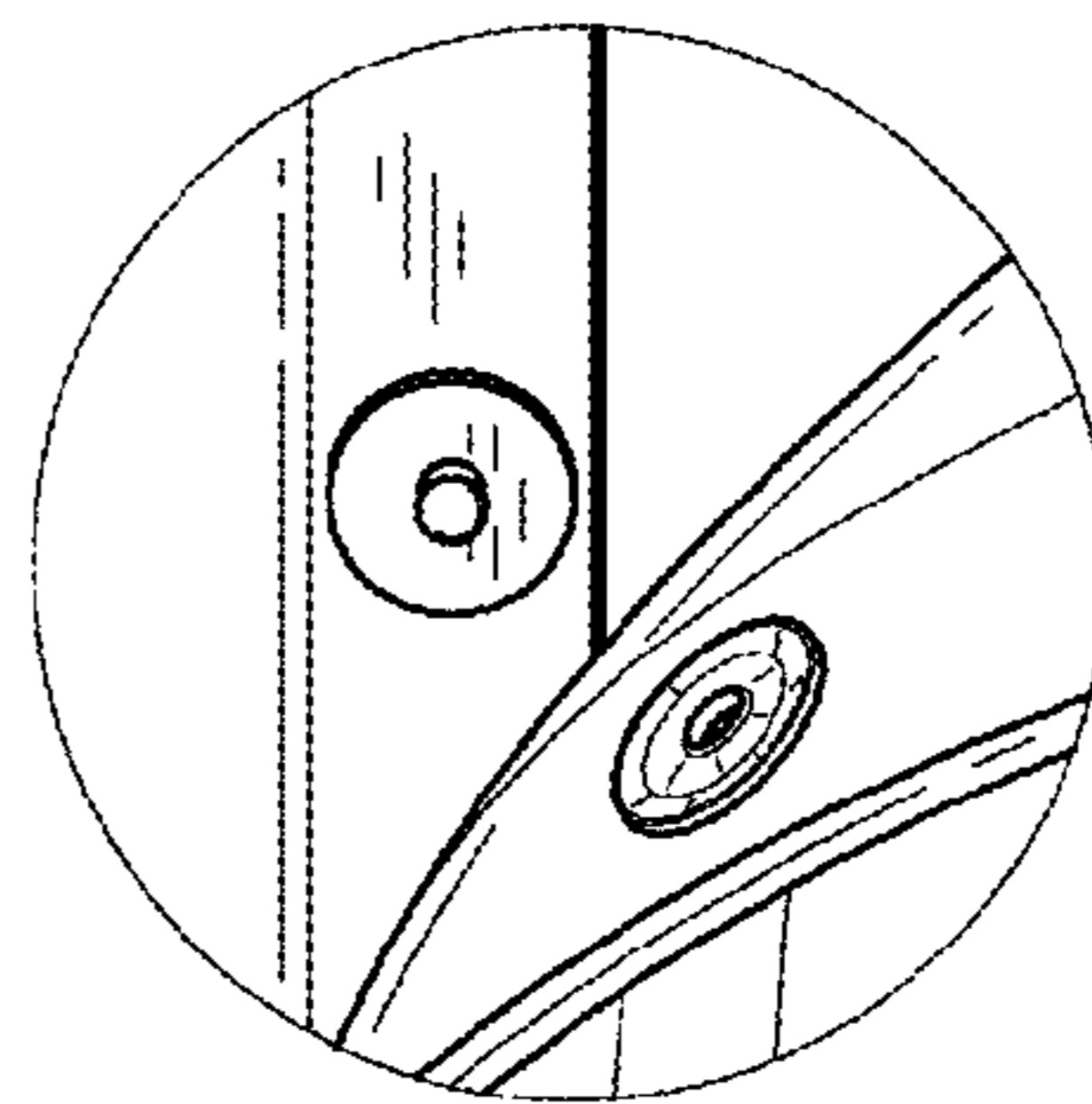


FIG. 31



FIG. 32

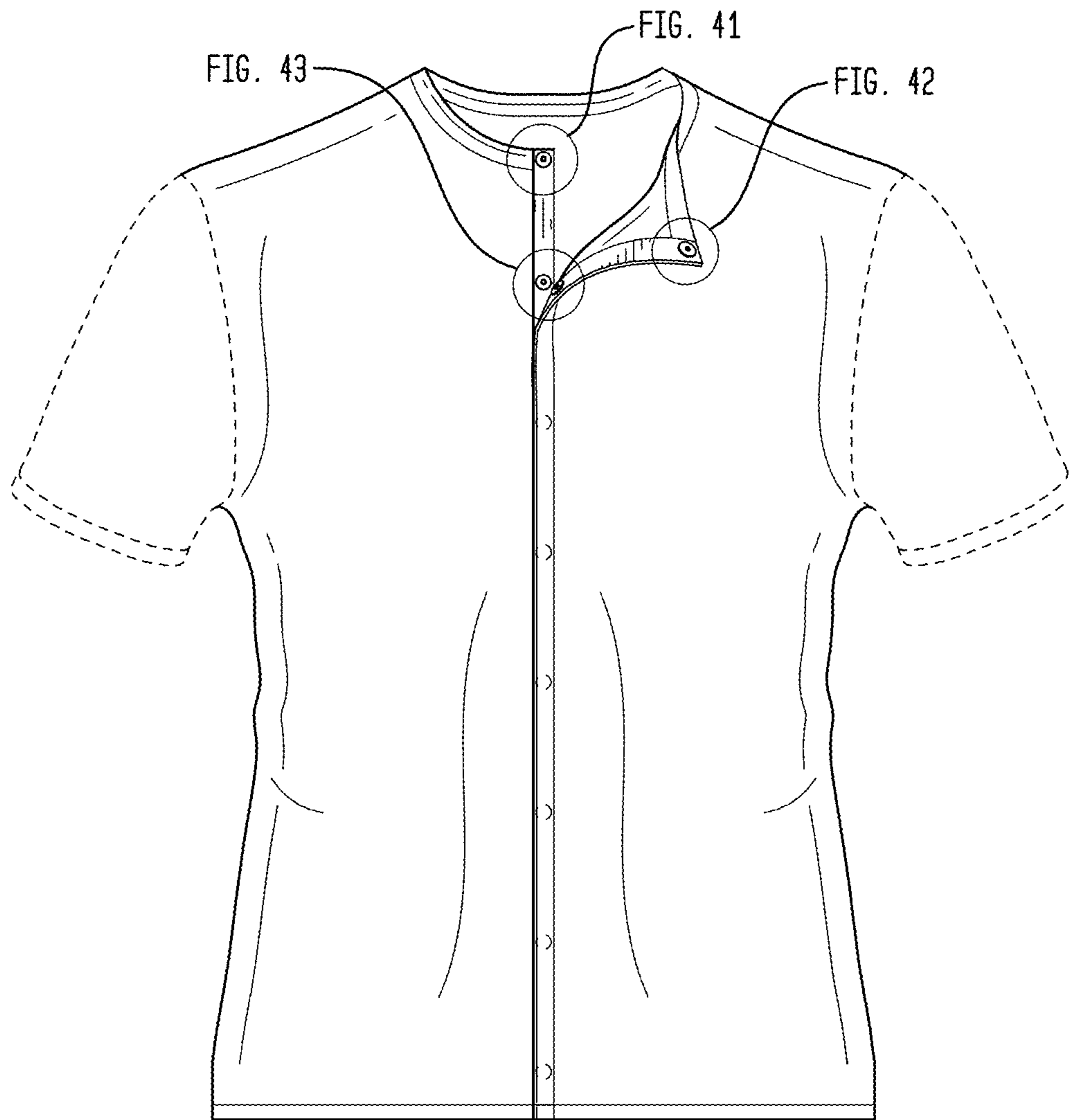


FIG. 33

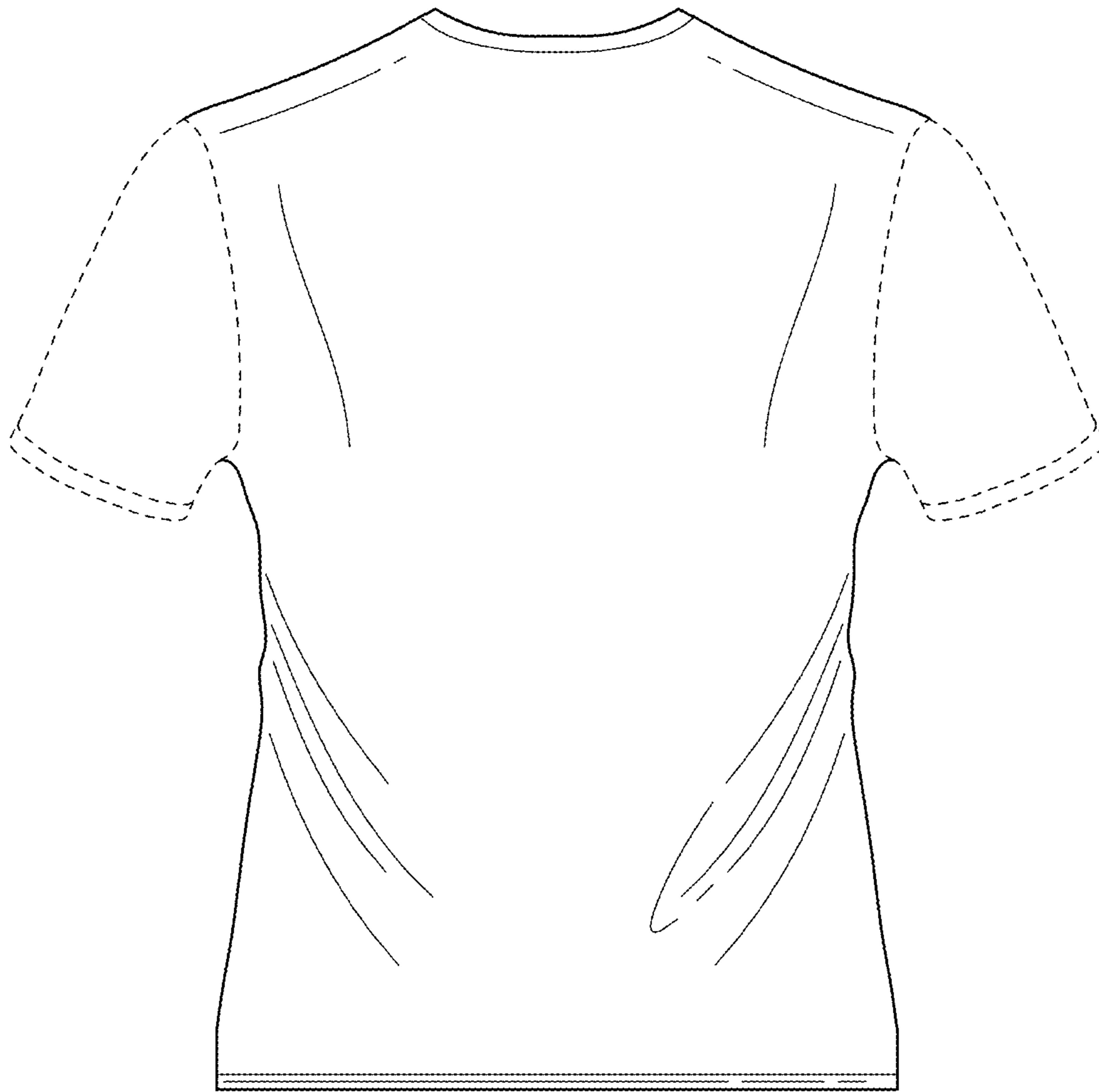


FIG. 34

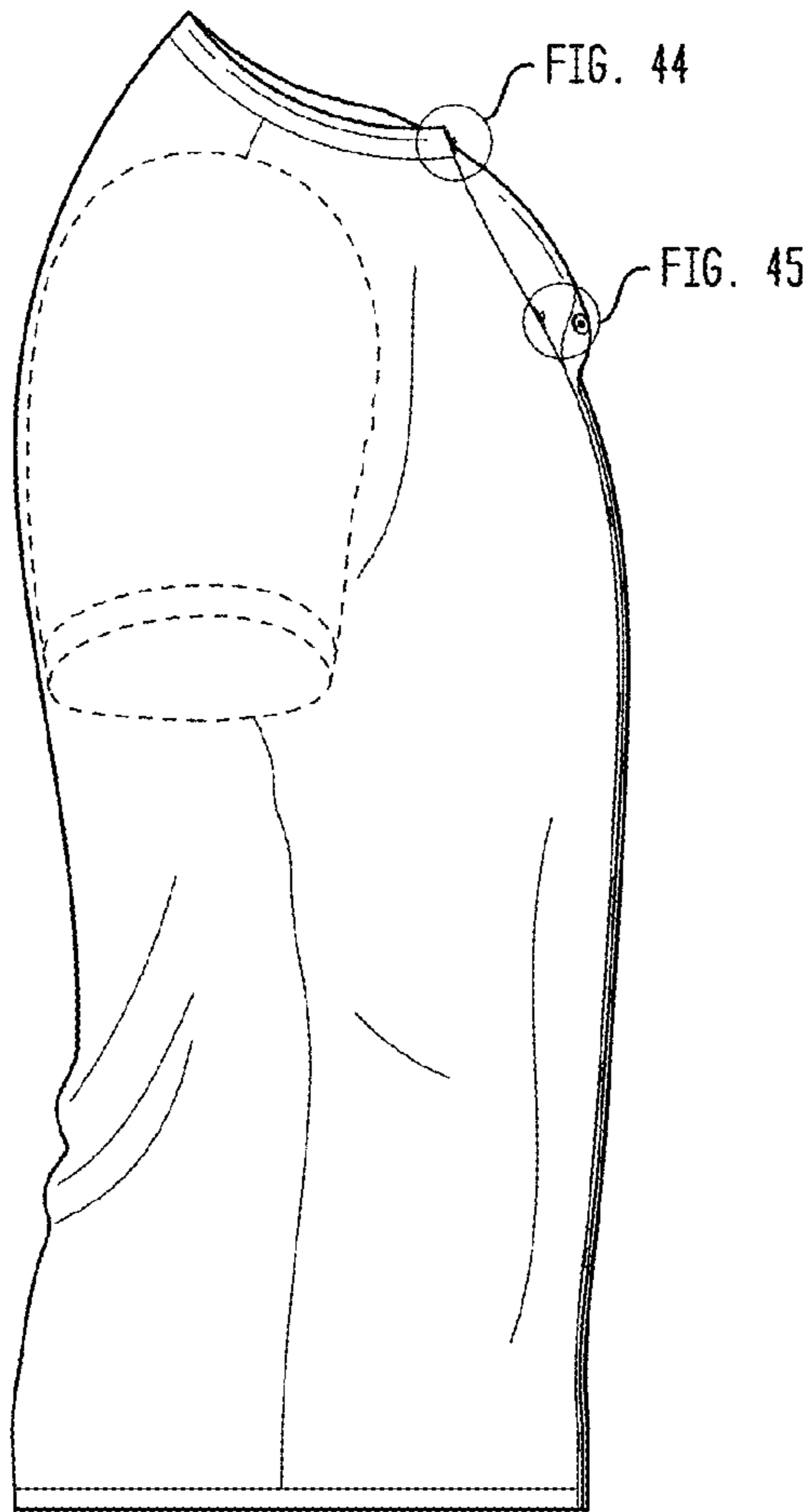


FIG. 35

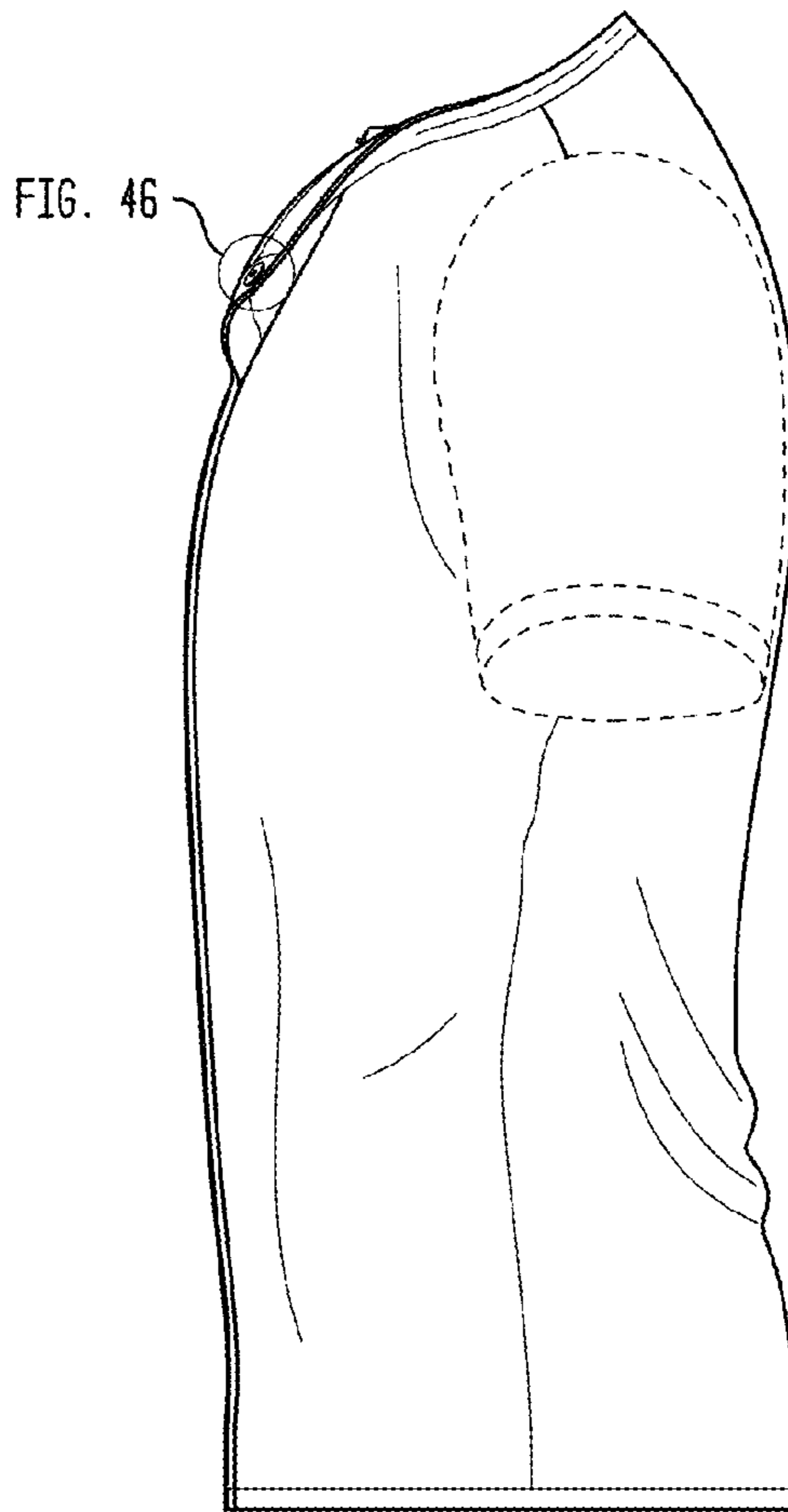


FIG. 36

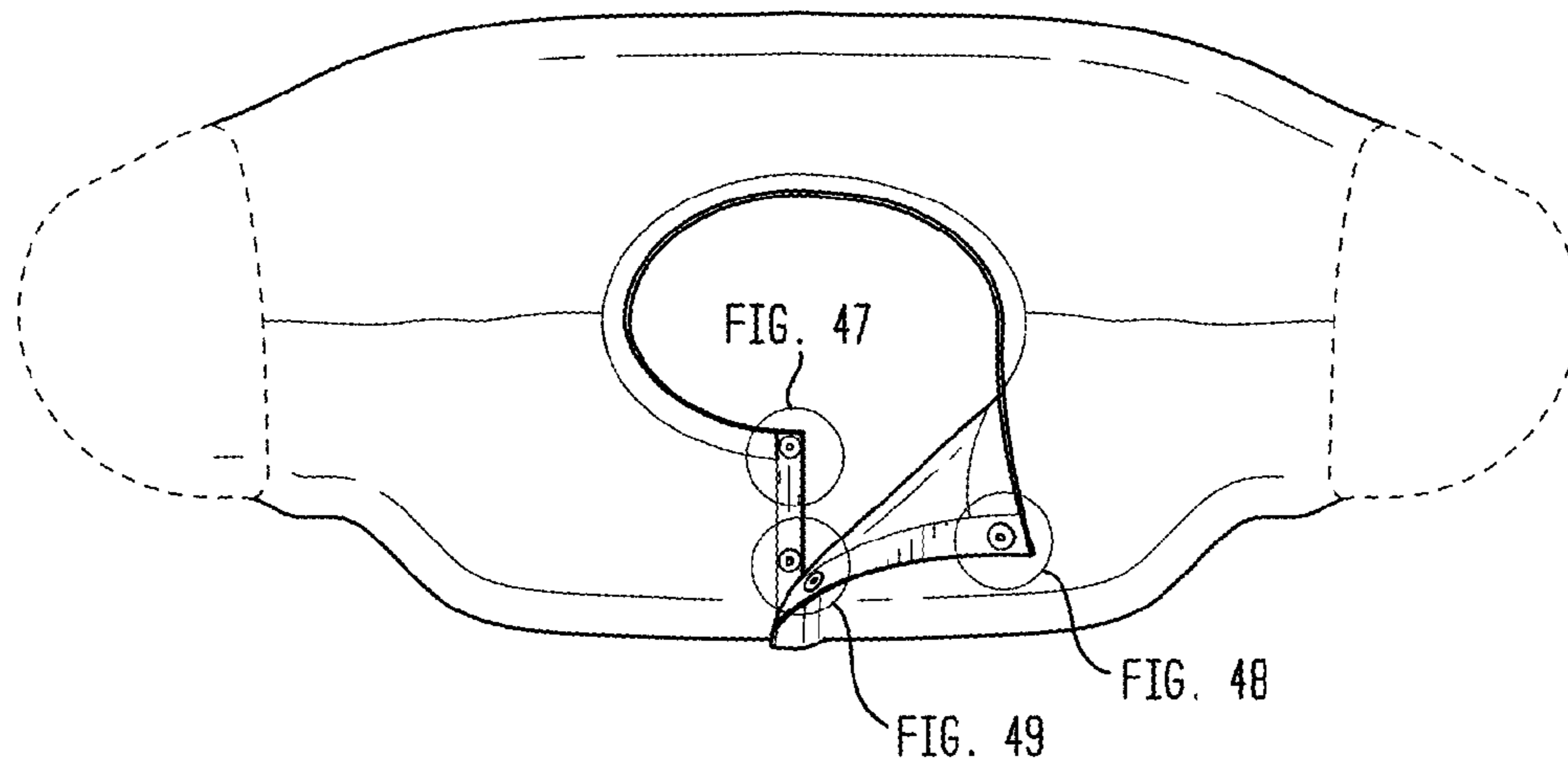


FIG. 37

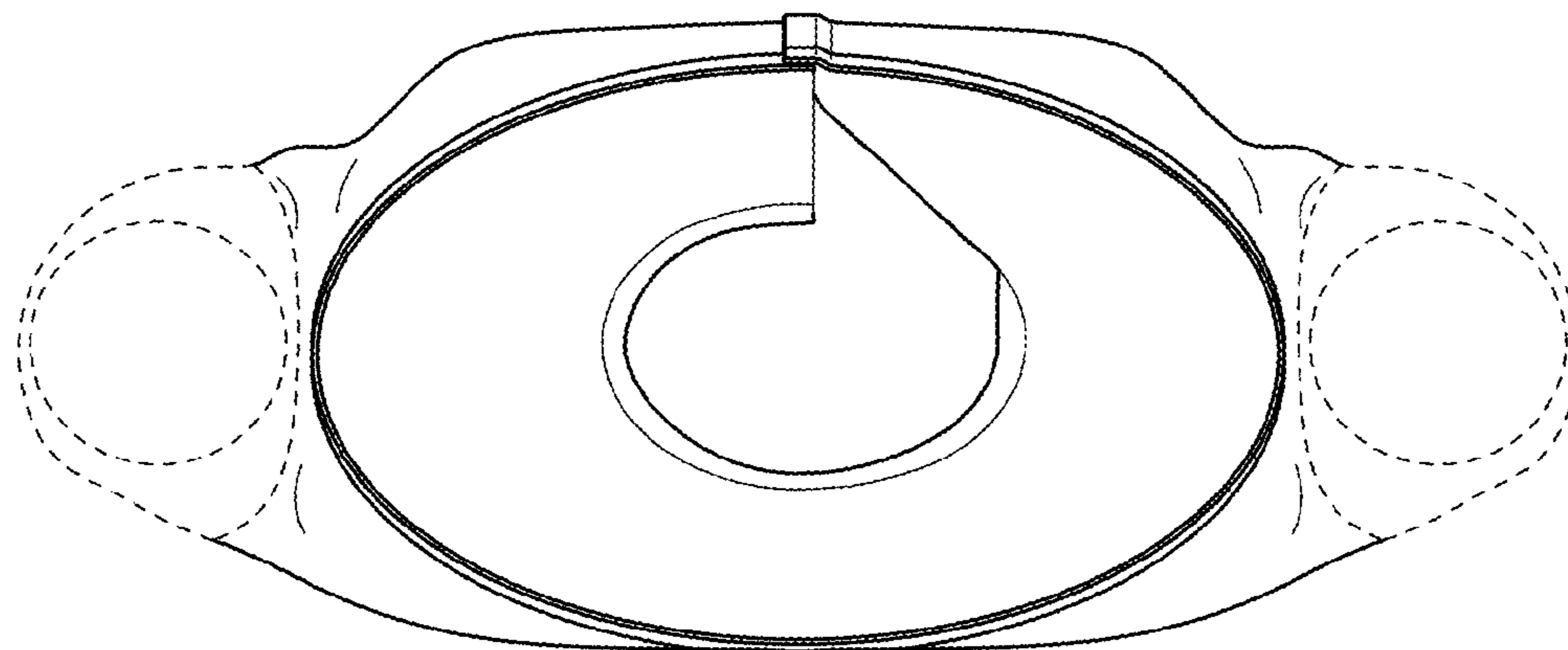


FIG. 38

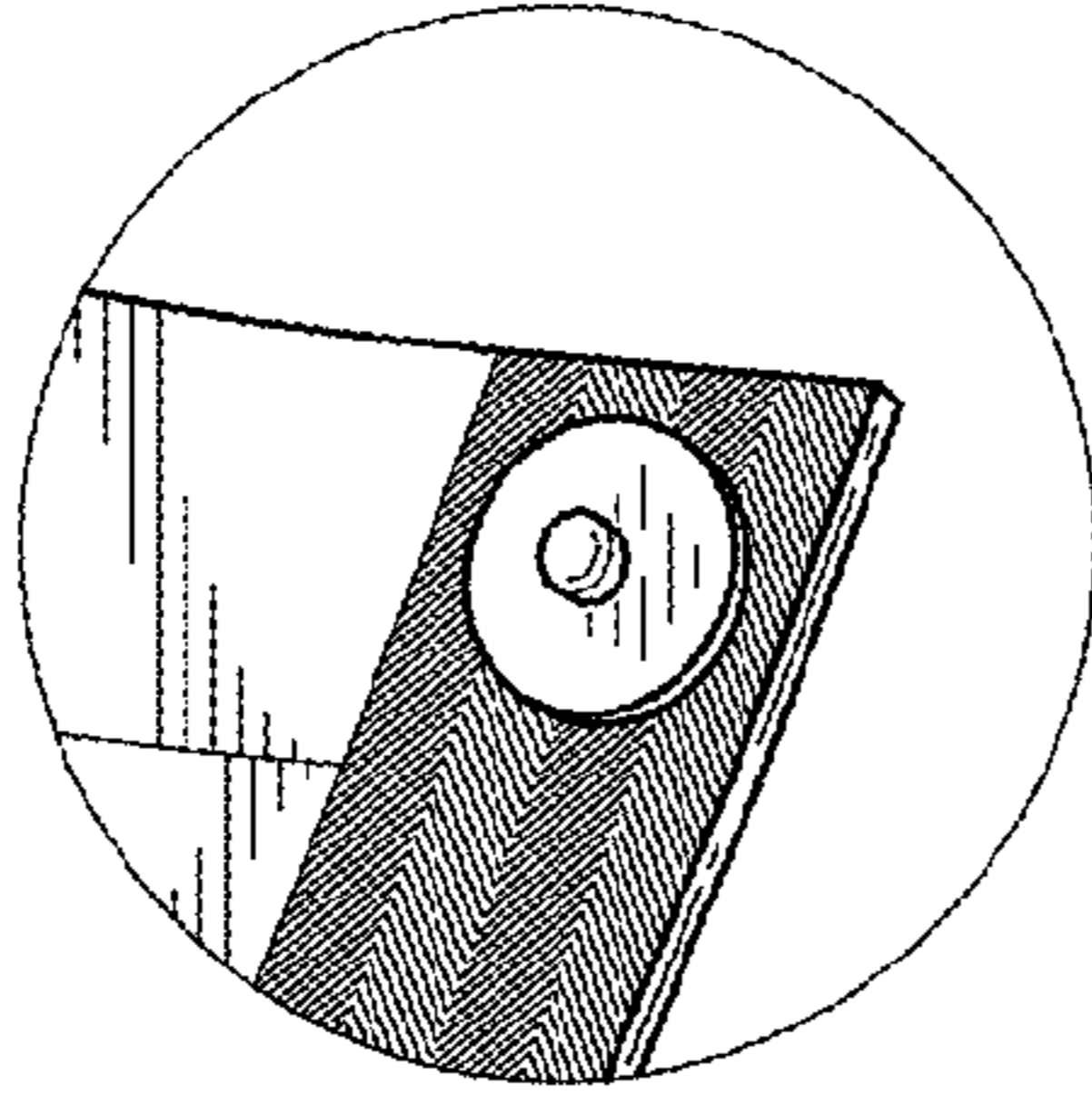


FIG. 39

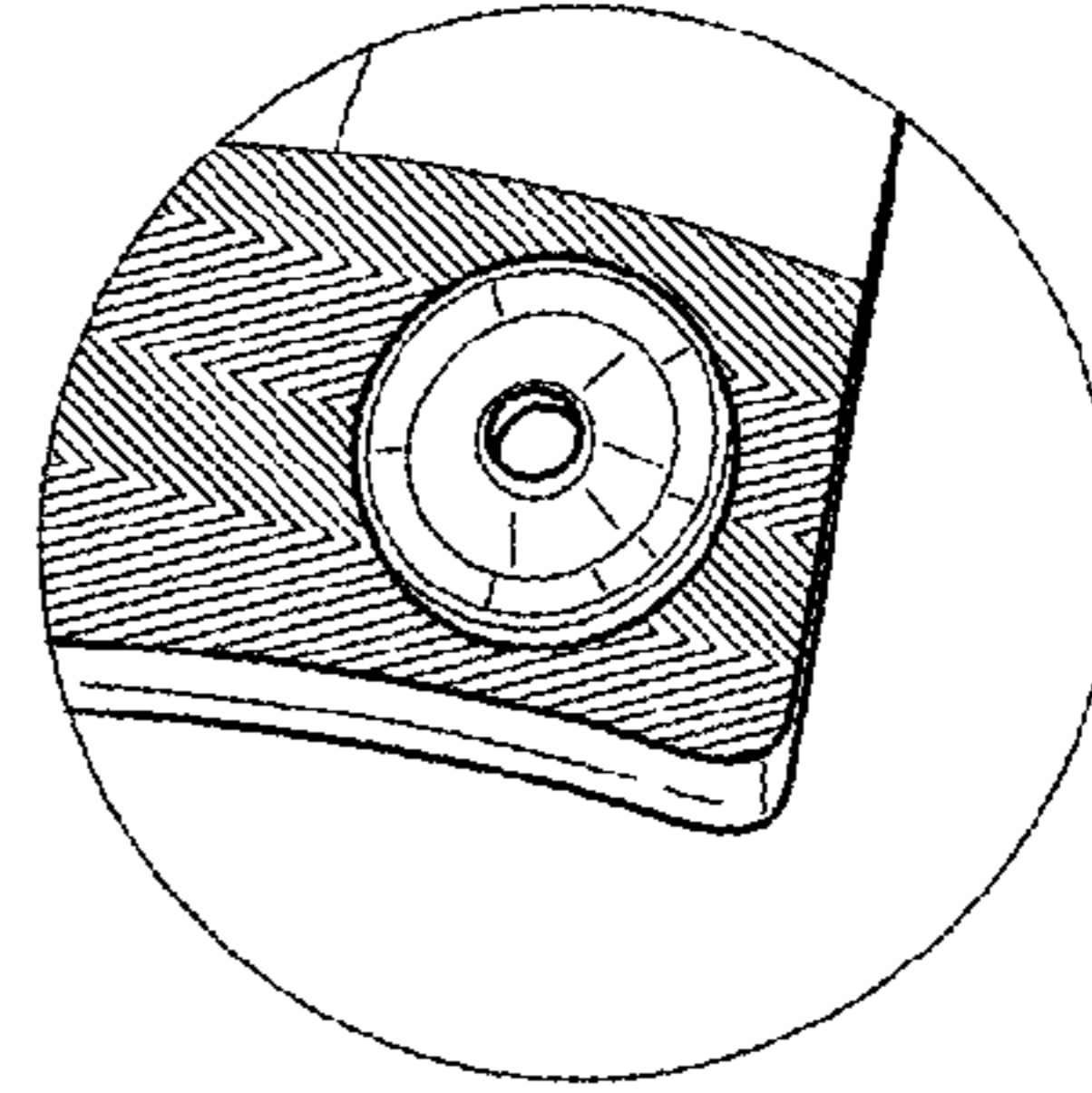


FIG. 40

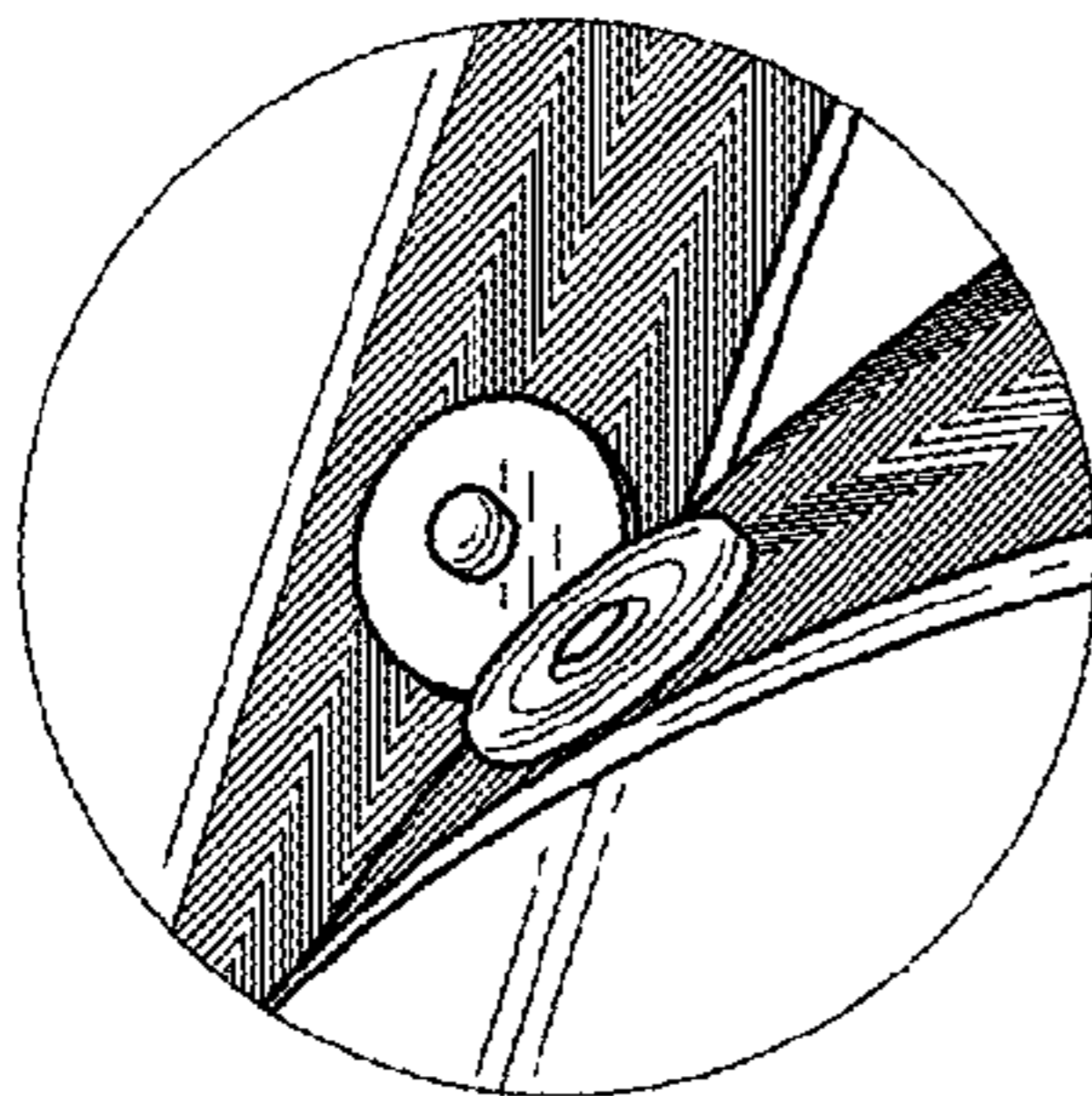


FIG. 41

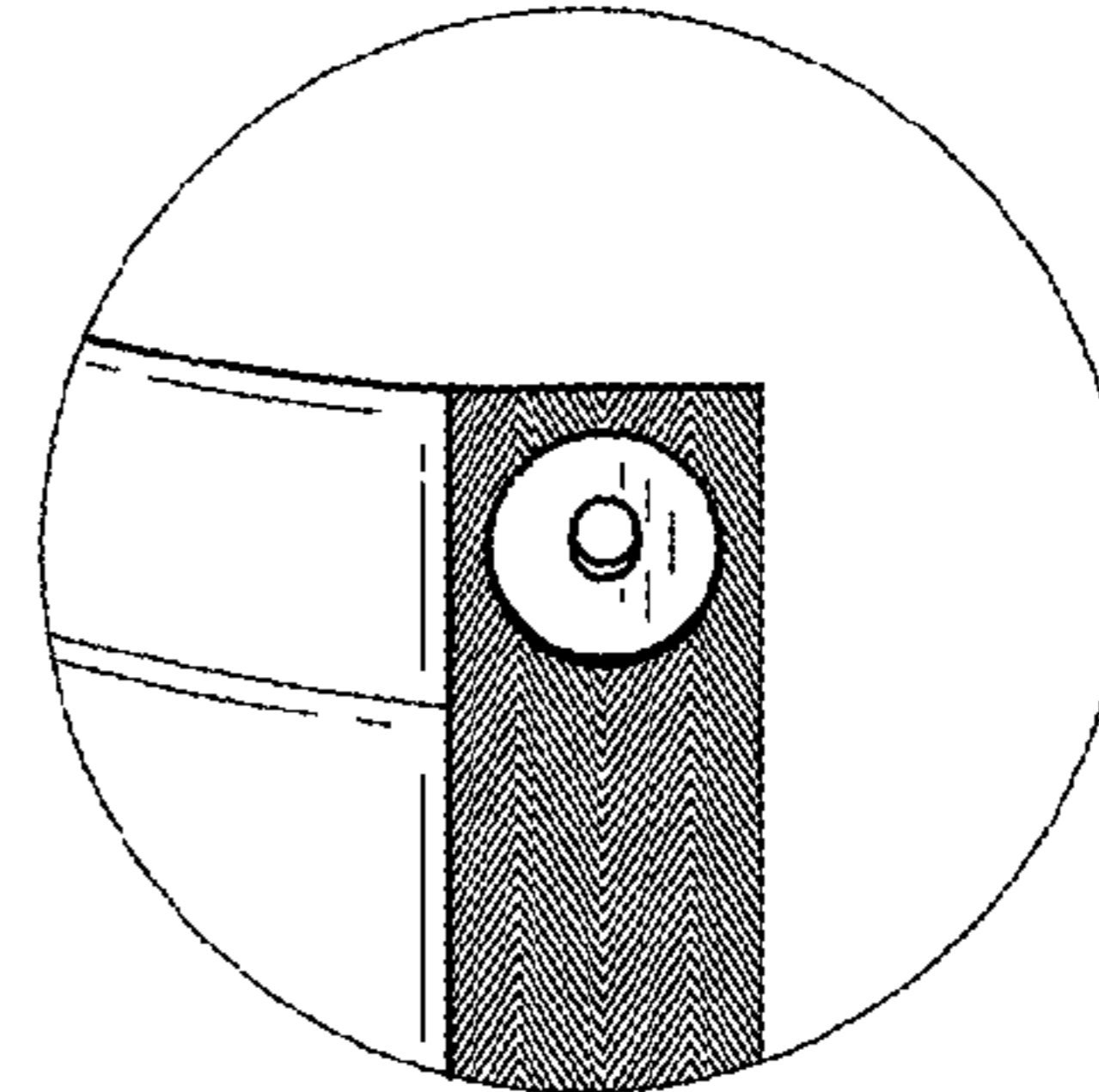


FIG. 42

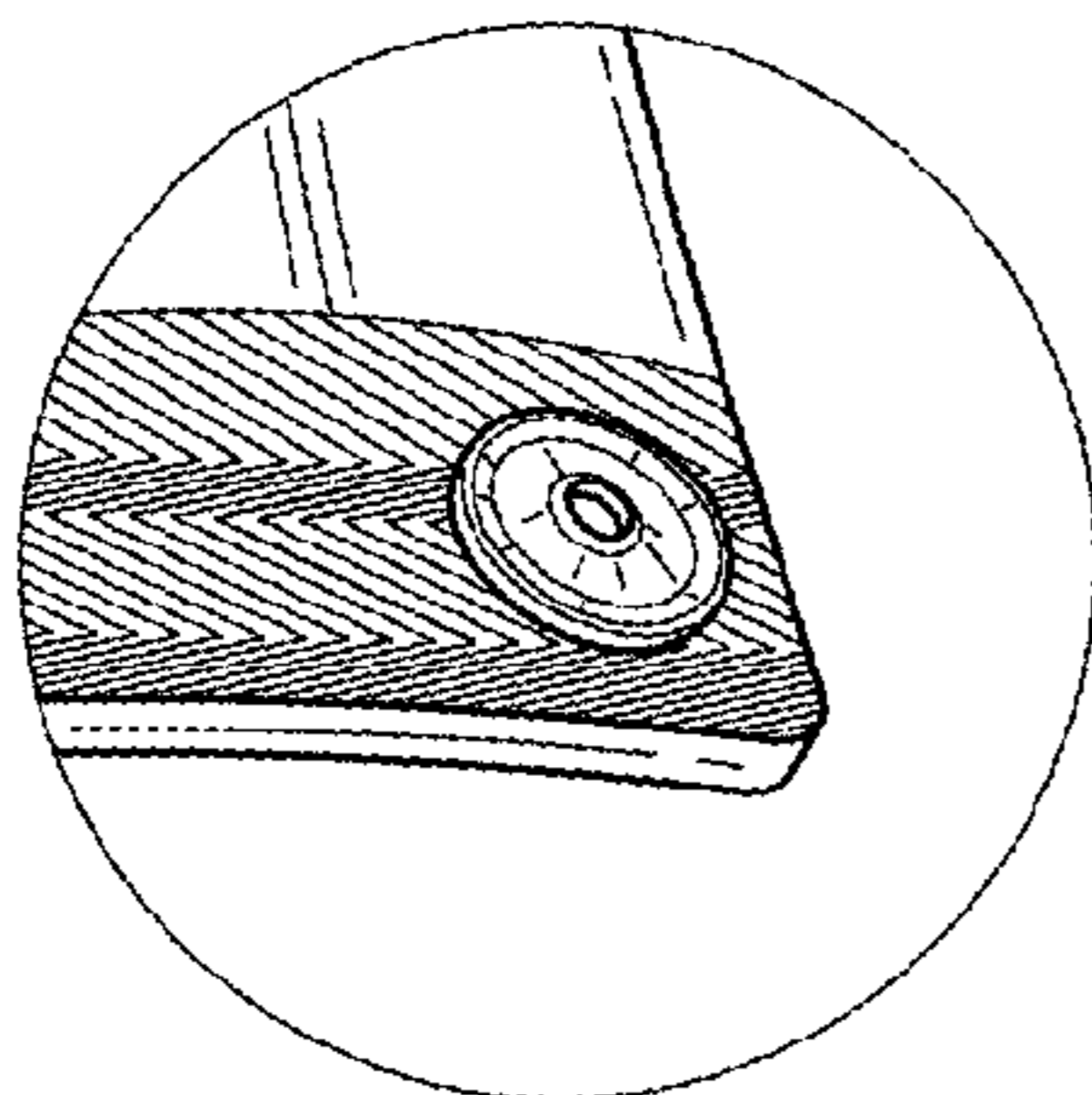


FIG. 43

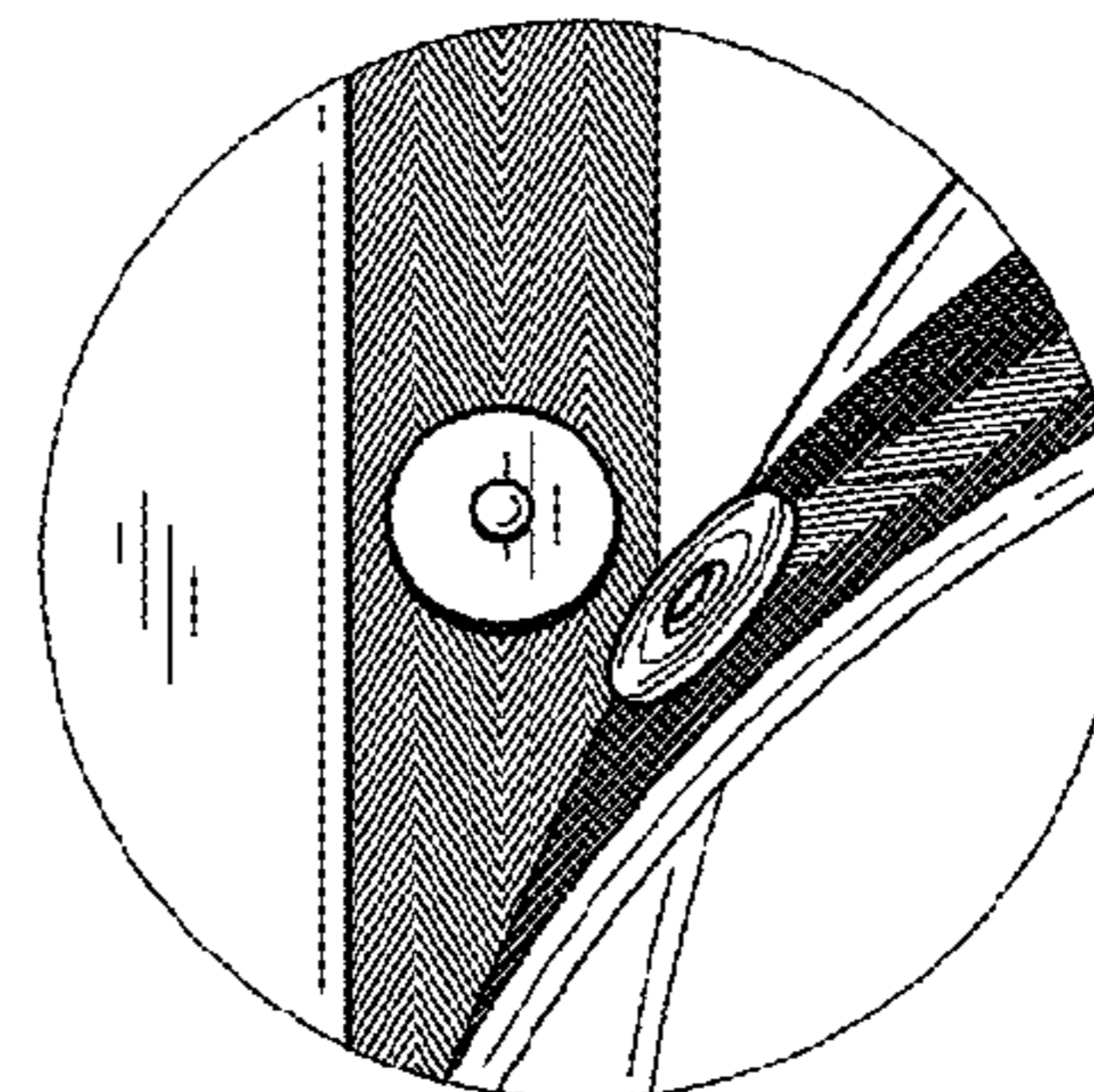


FIG. 44

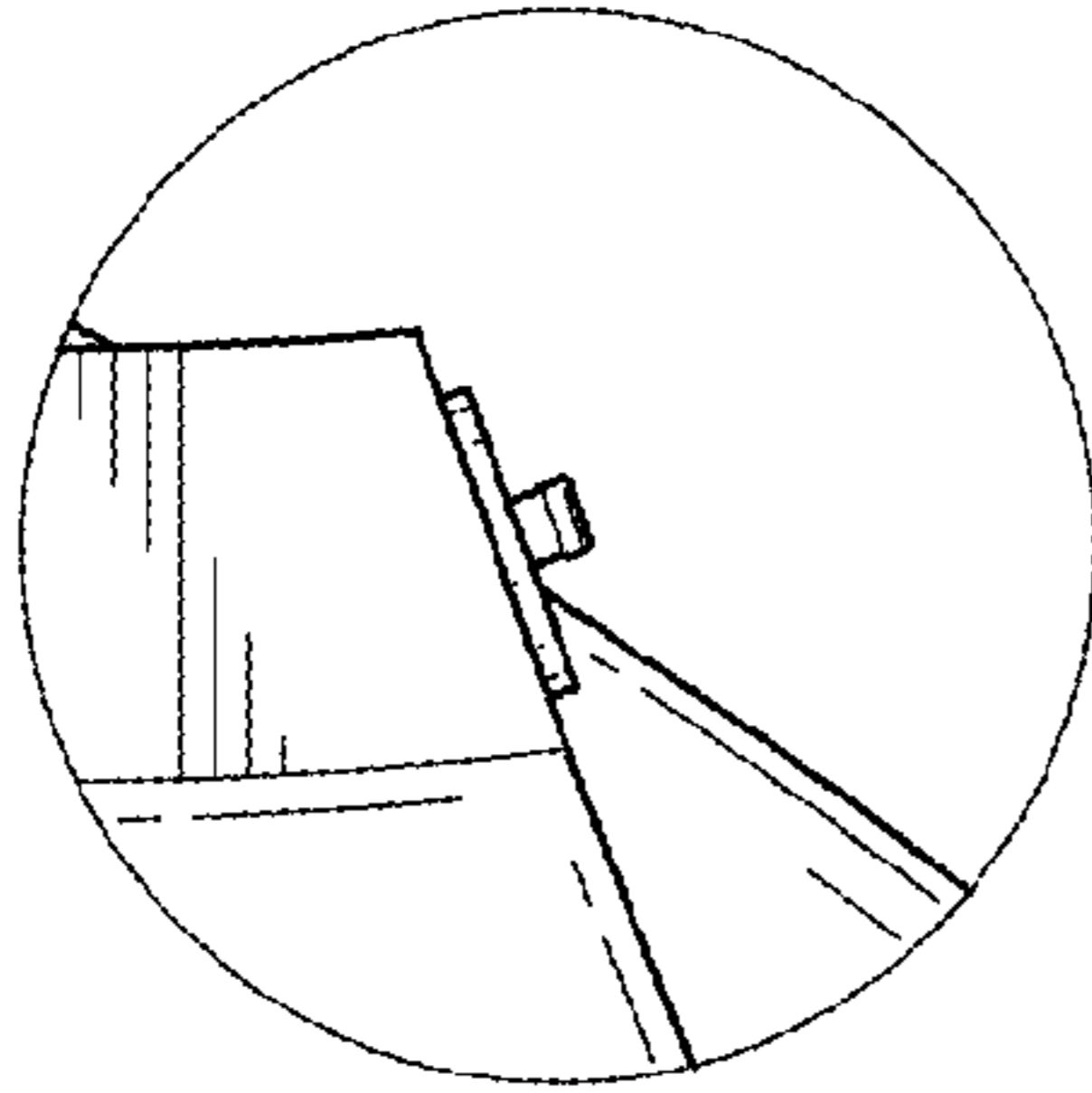


FIG. 45

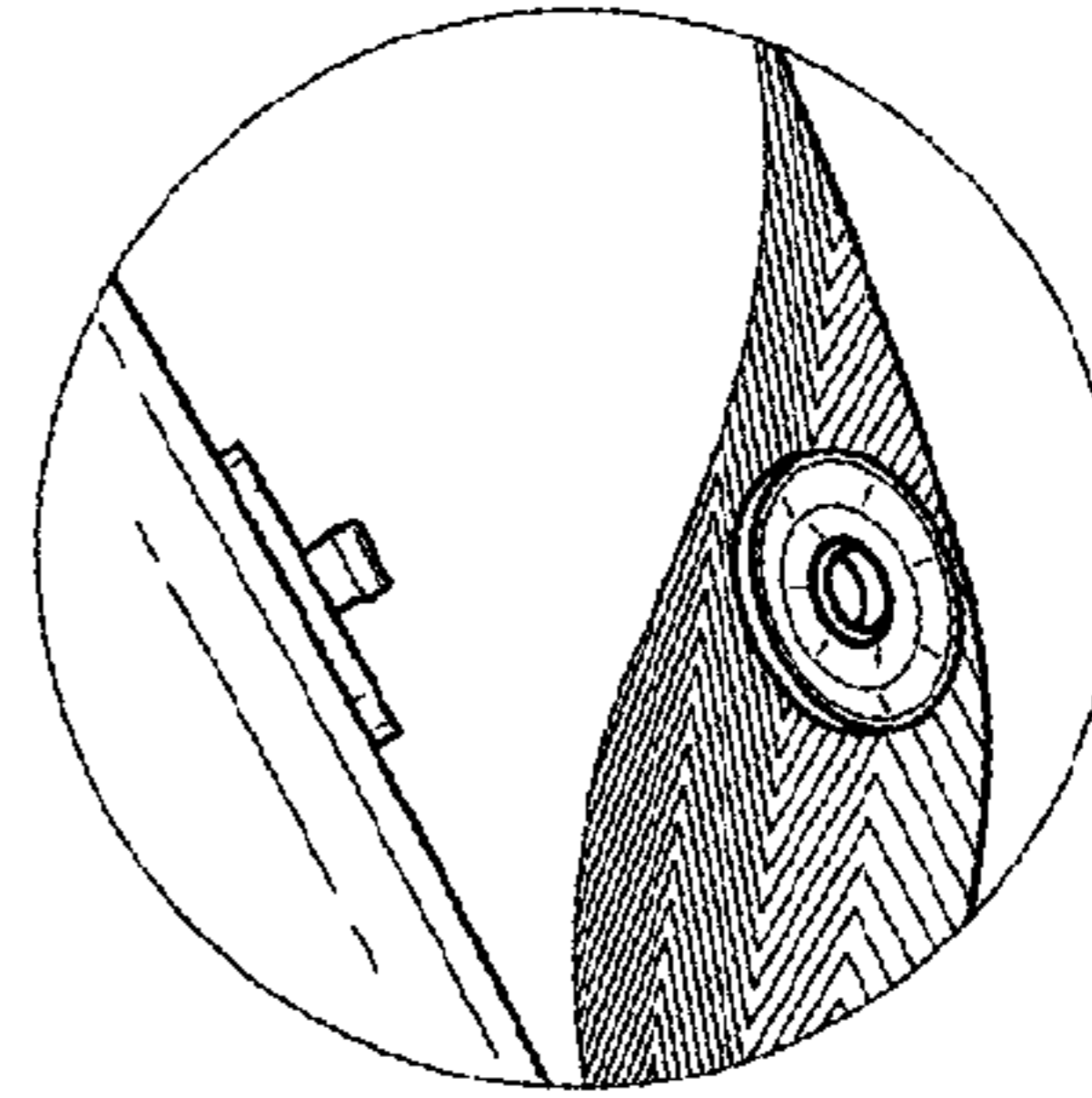


FIG. 46

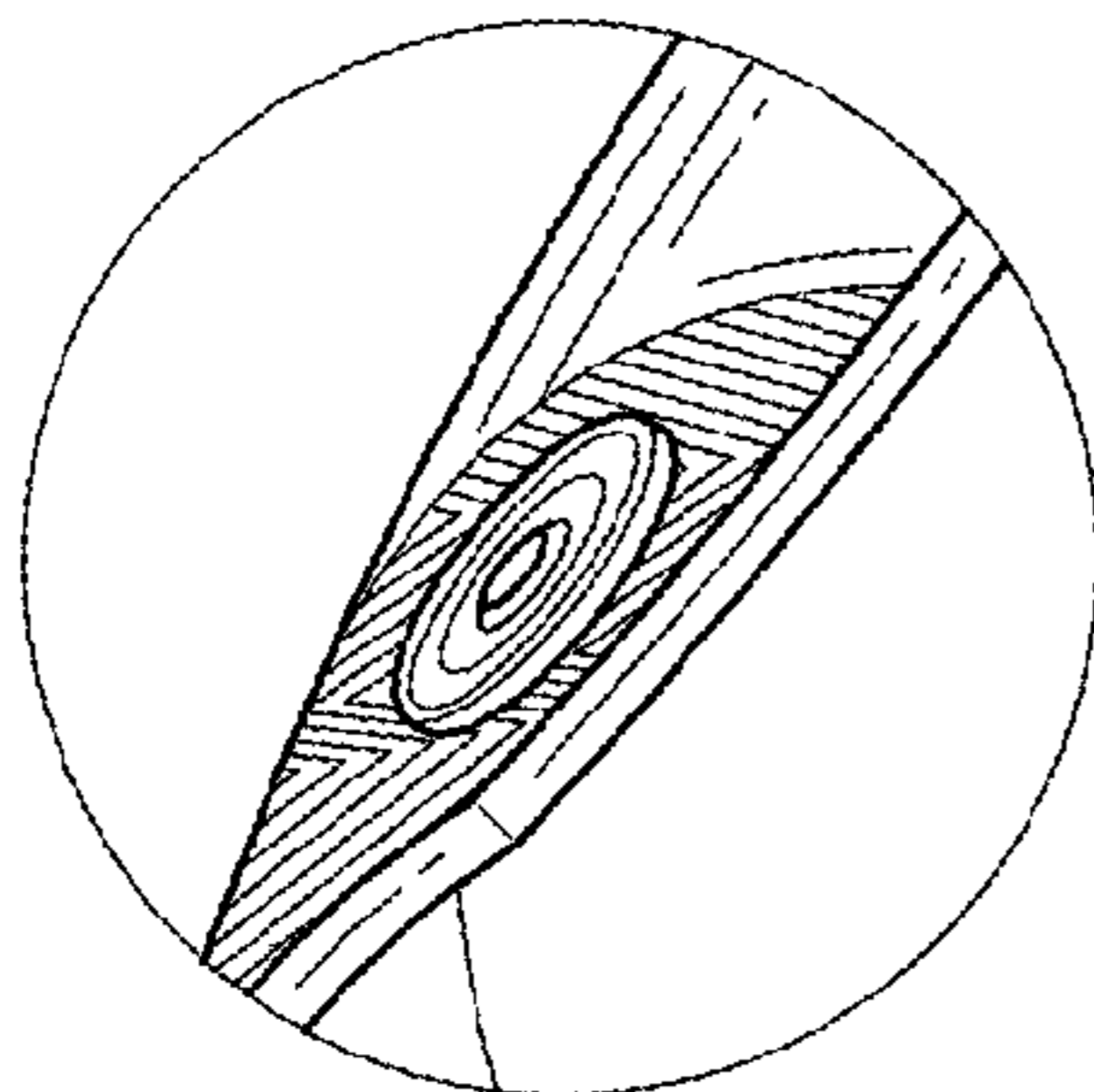


FIG. 47

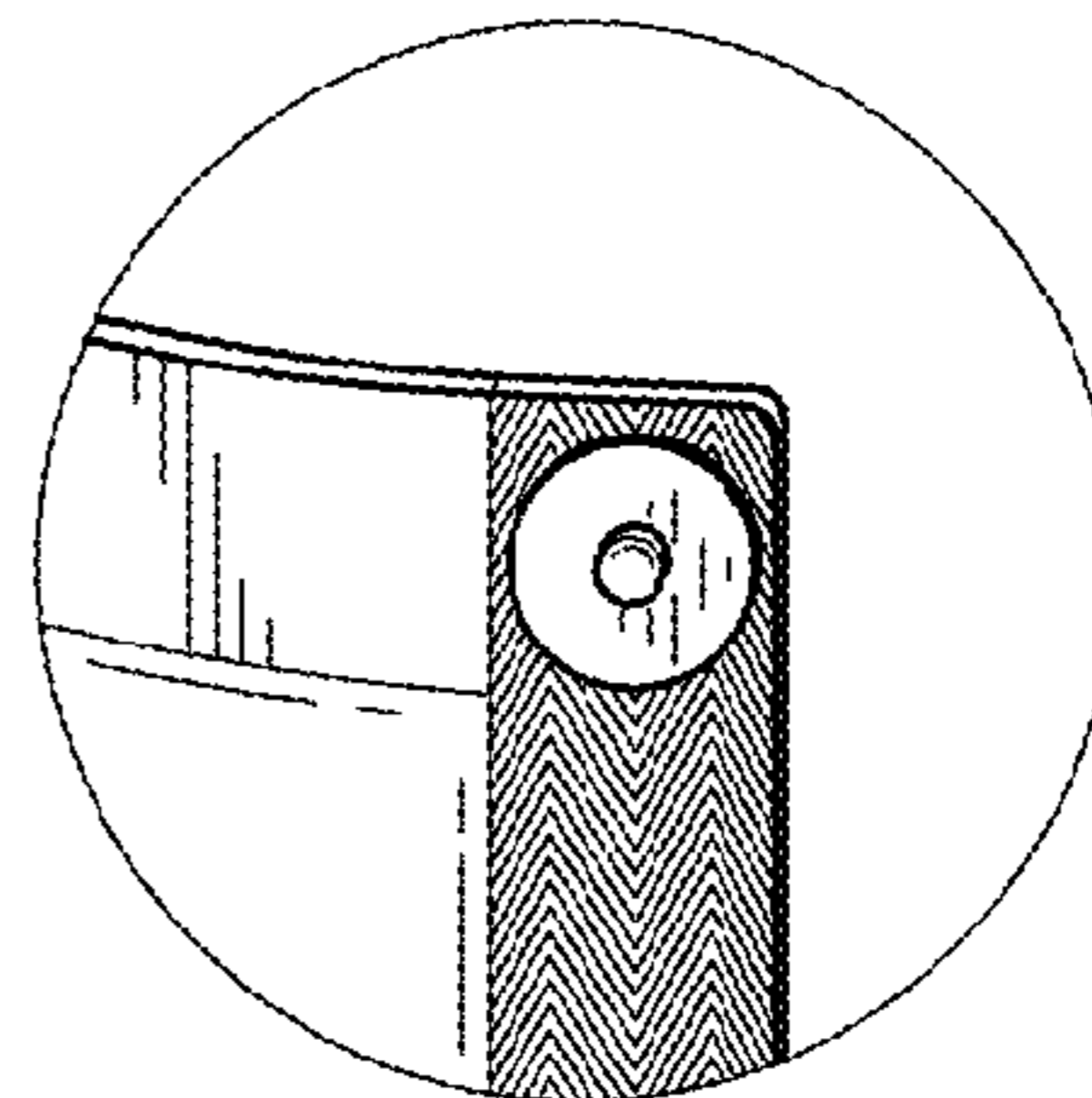


FIG. 48

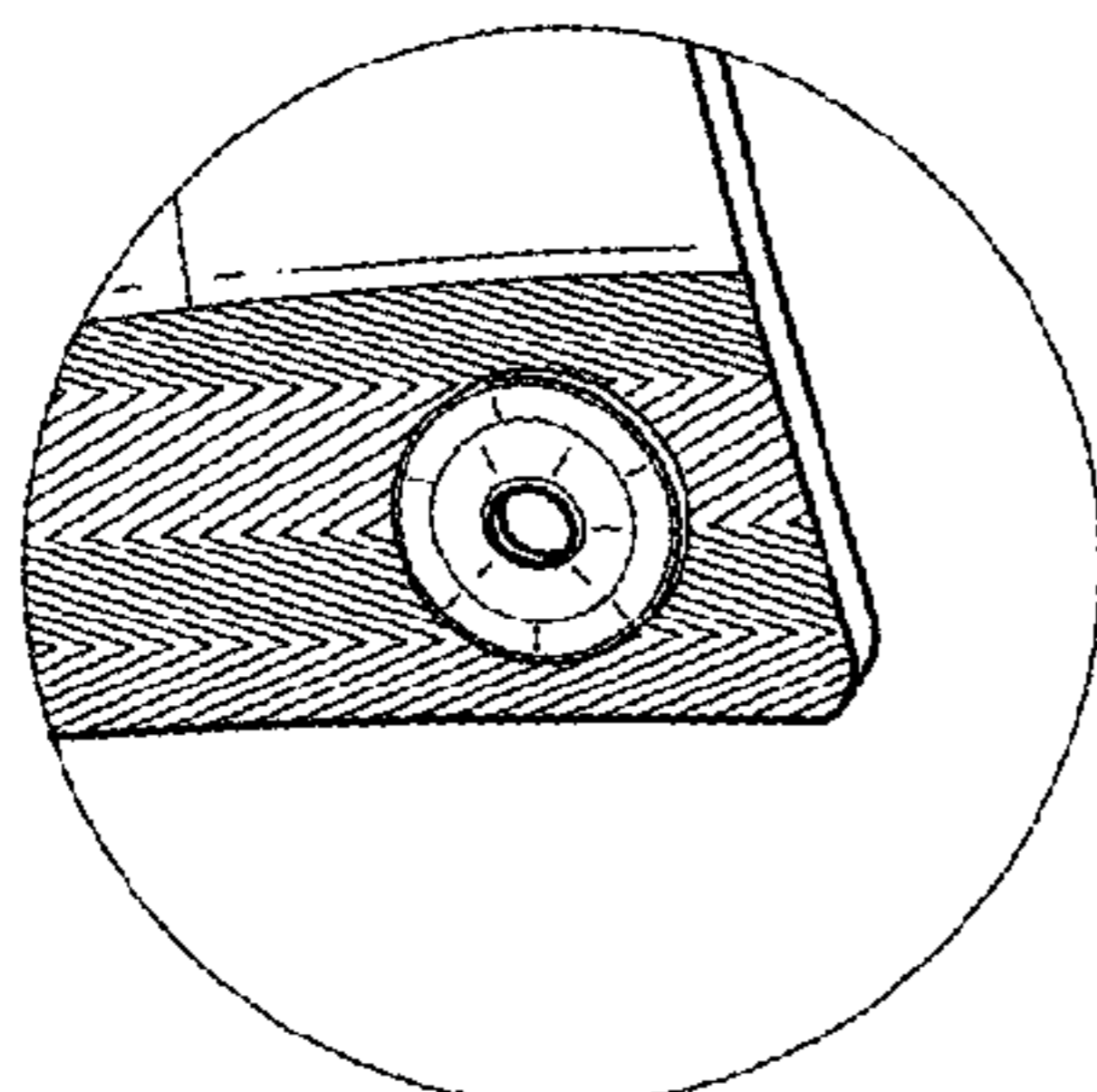


FIG. 49

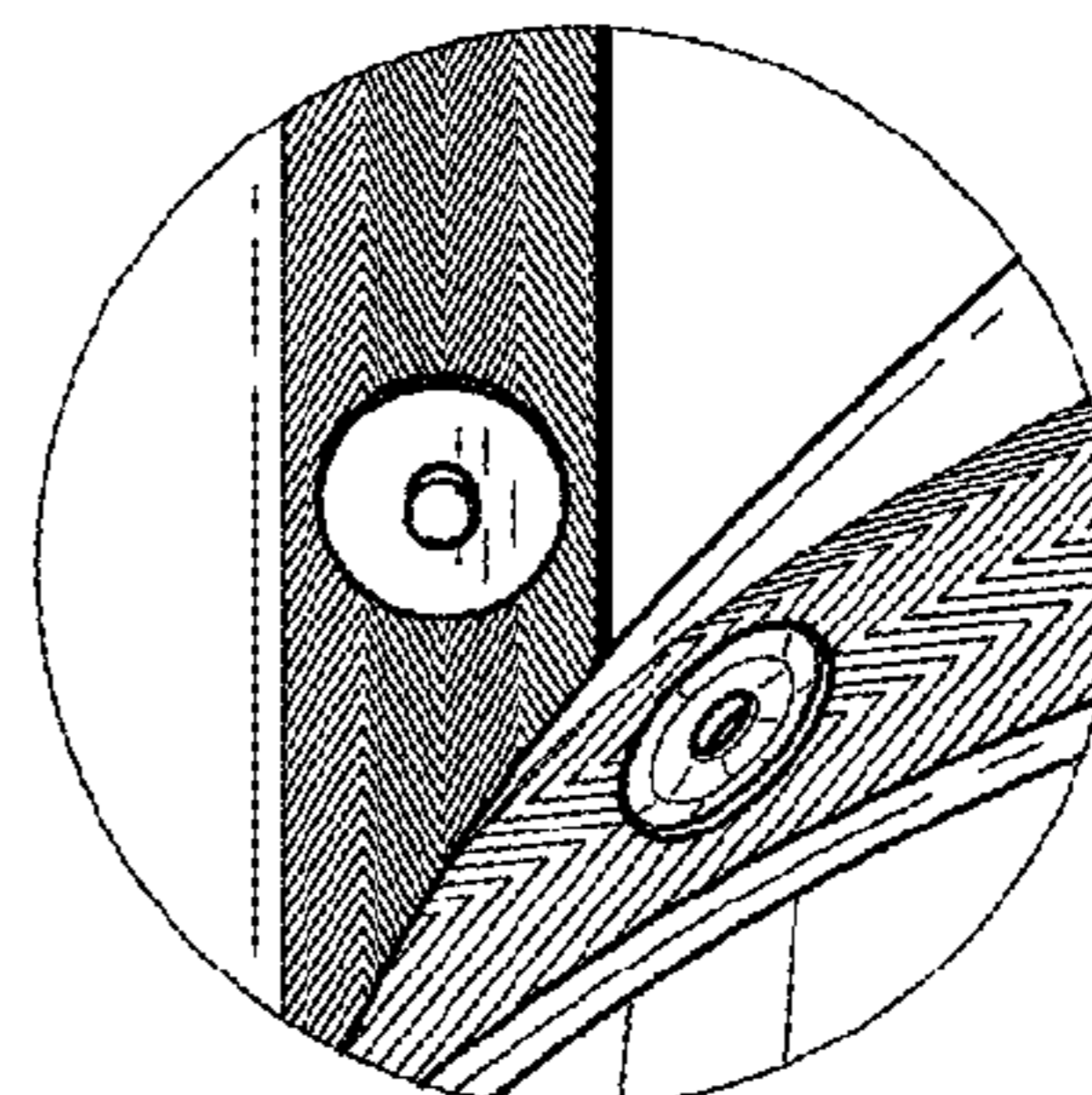


FIG. 50

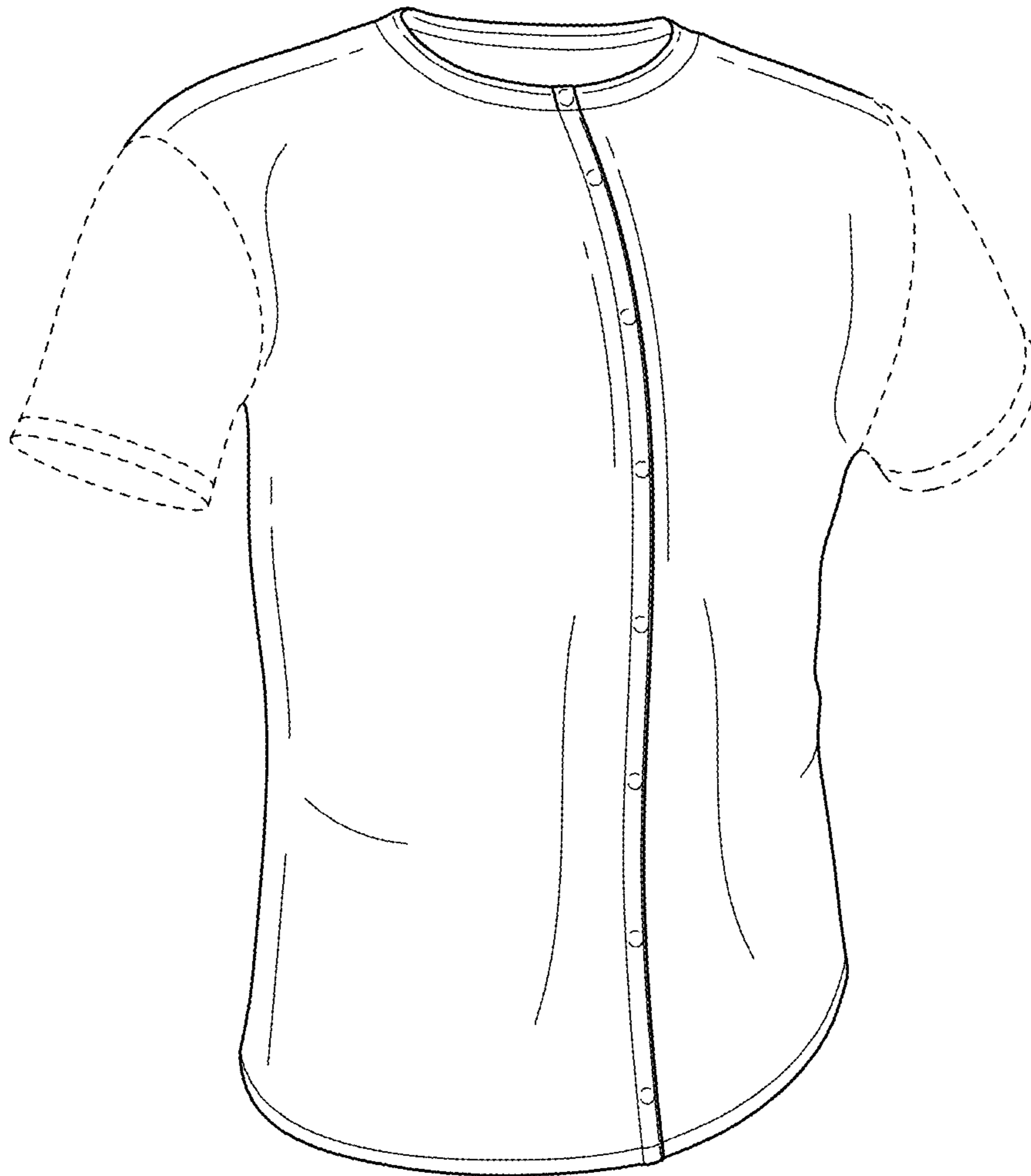


FIG. 51

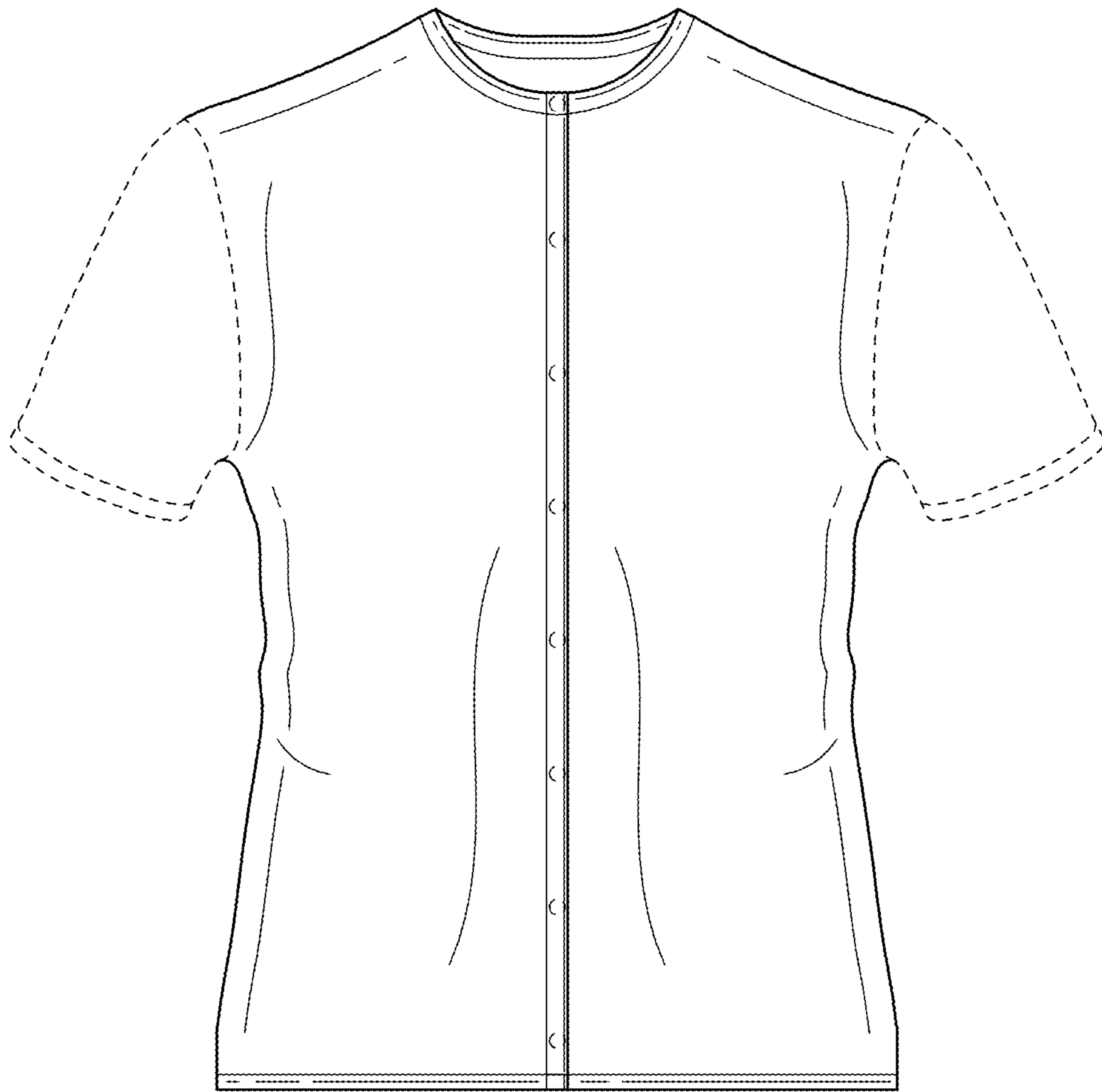


FIG. 52

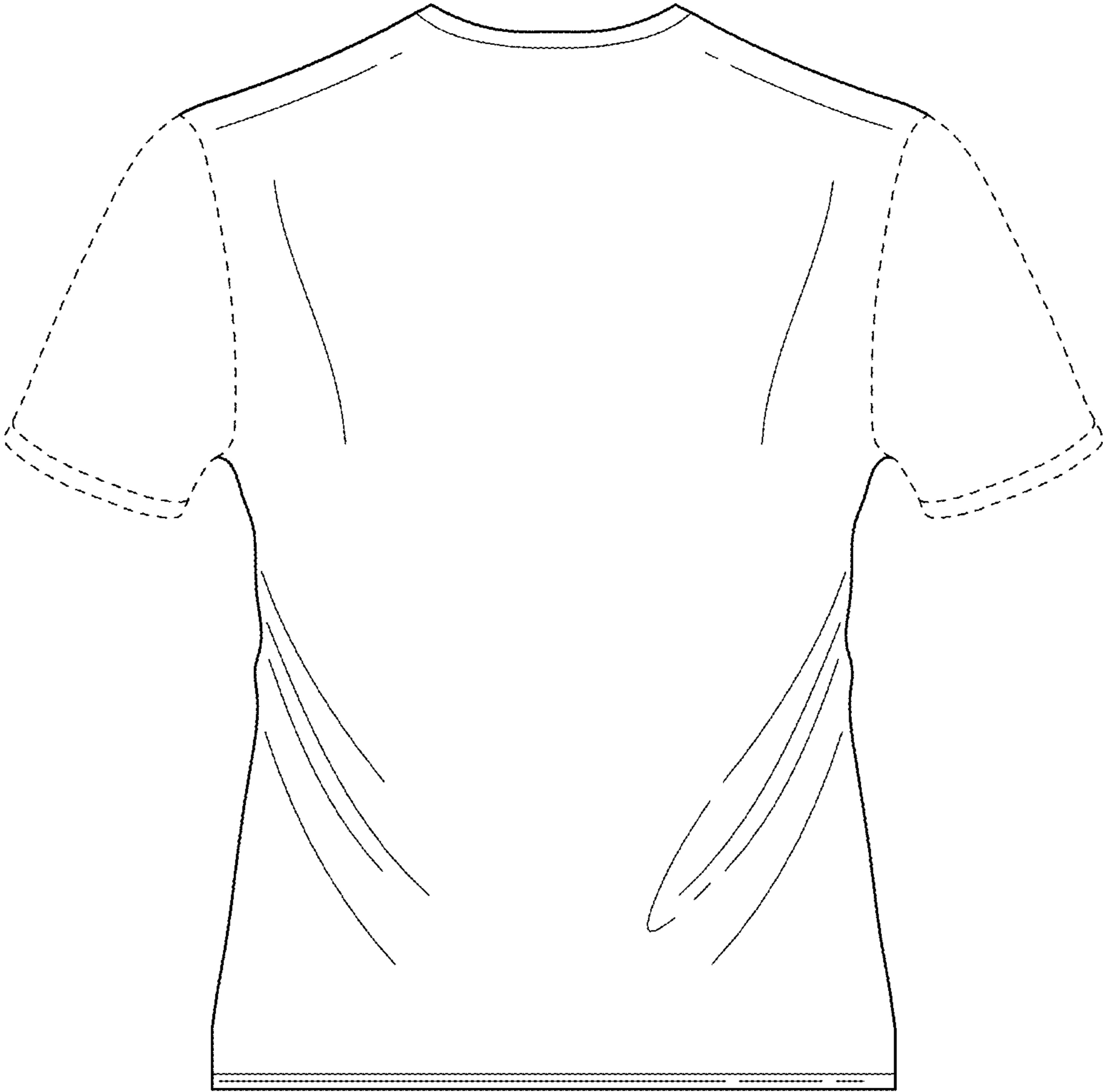


FIG. 53

FIG. 54

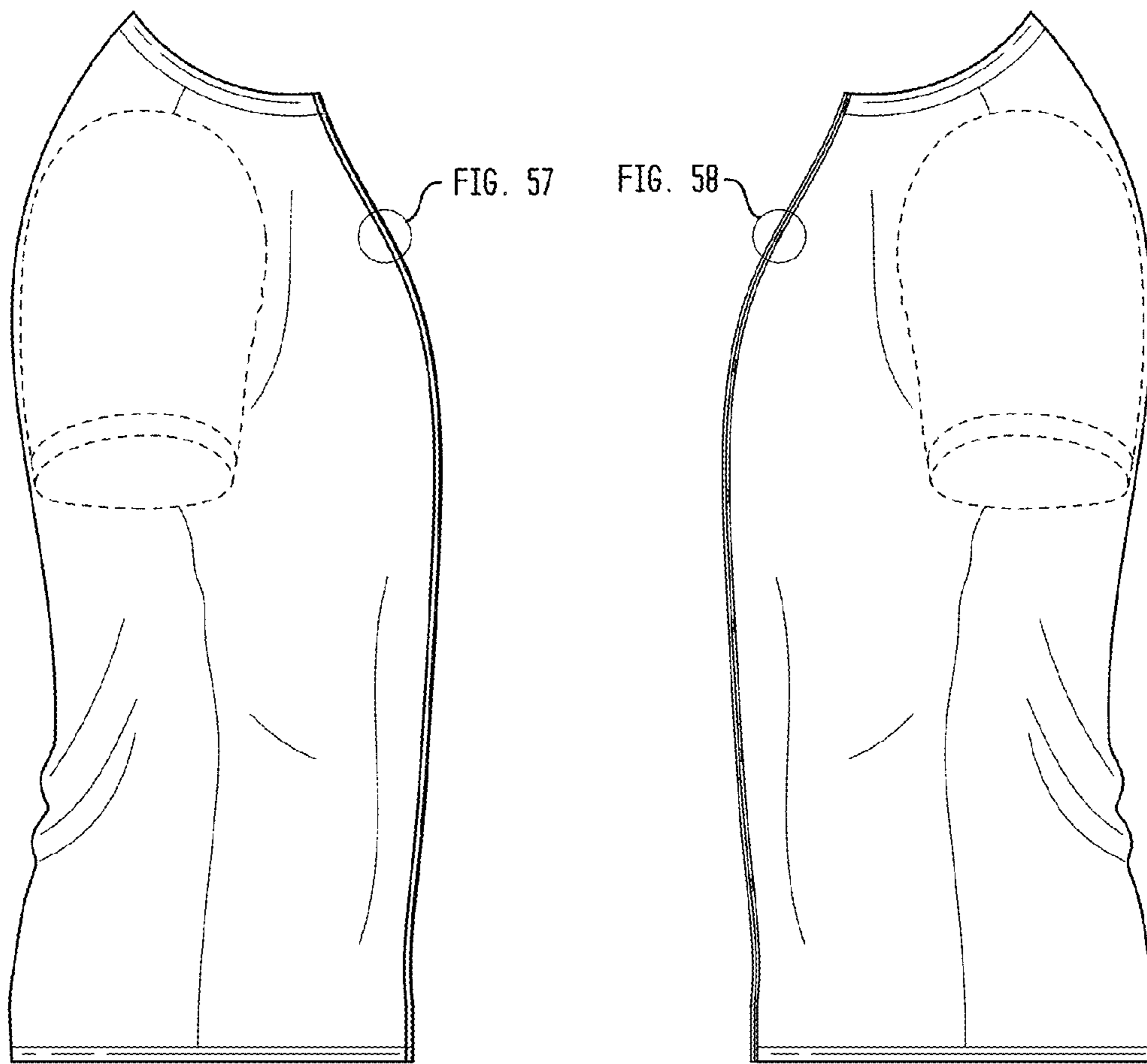


FIG. 55

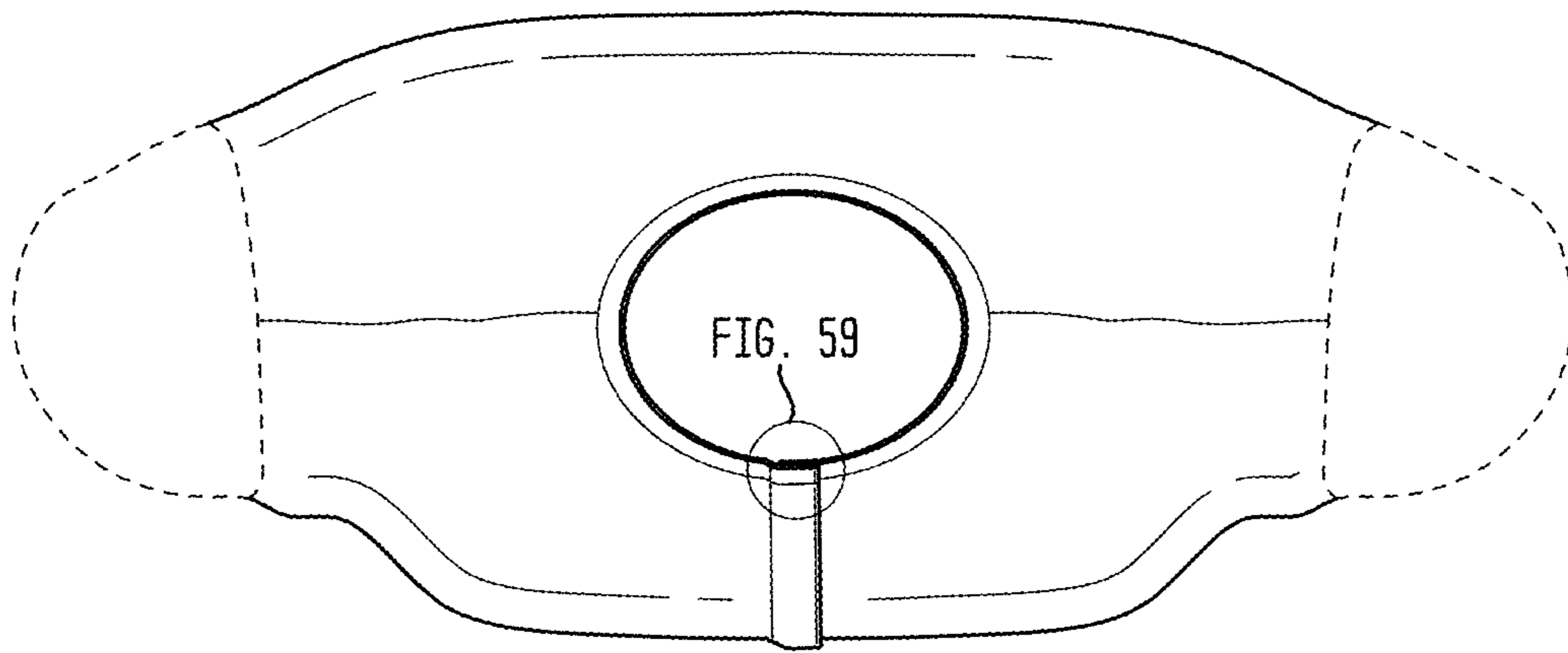


FIG. 56

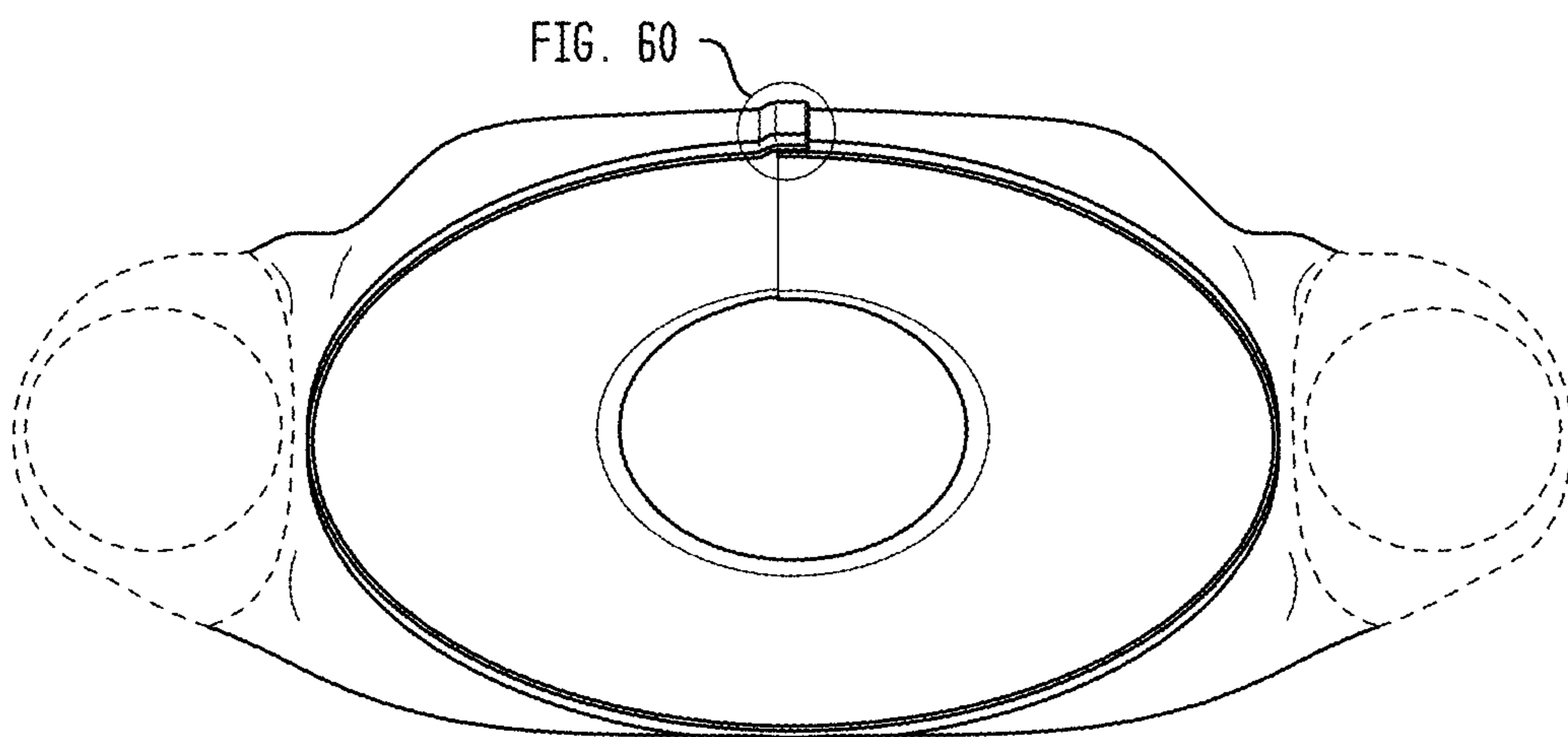


FIG. 57

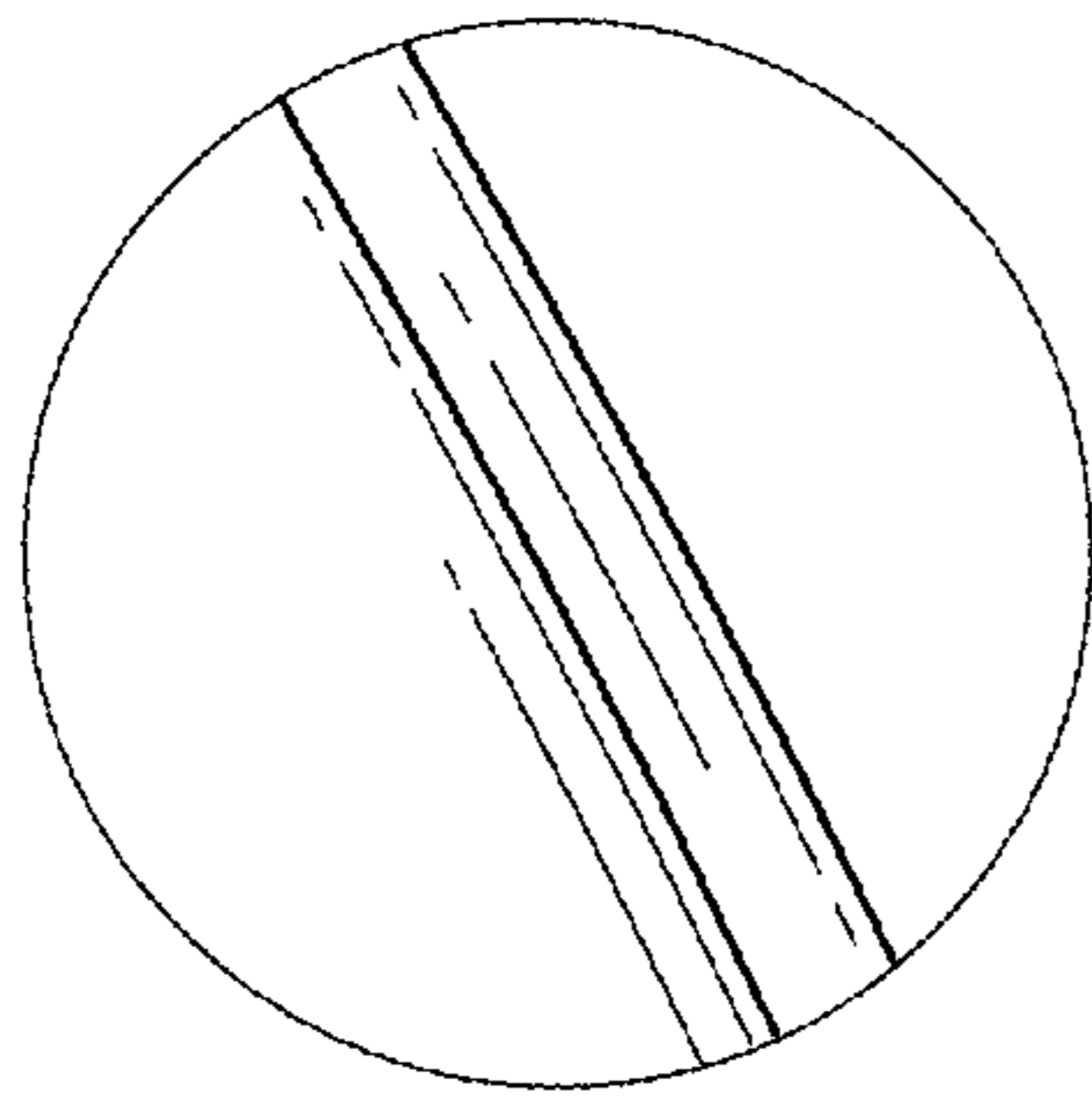


FIG. 58

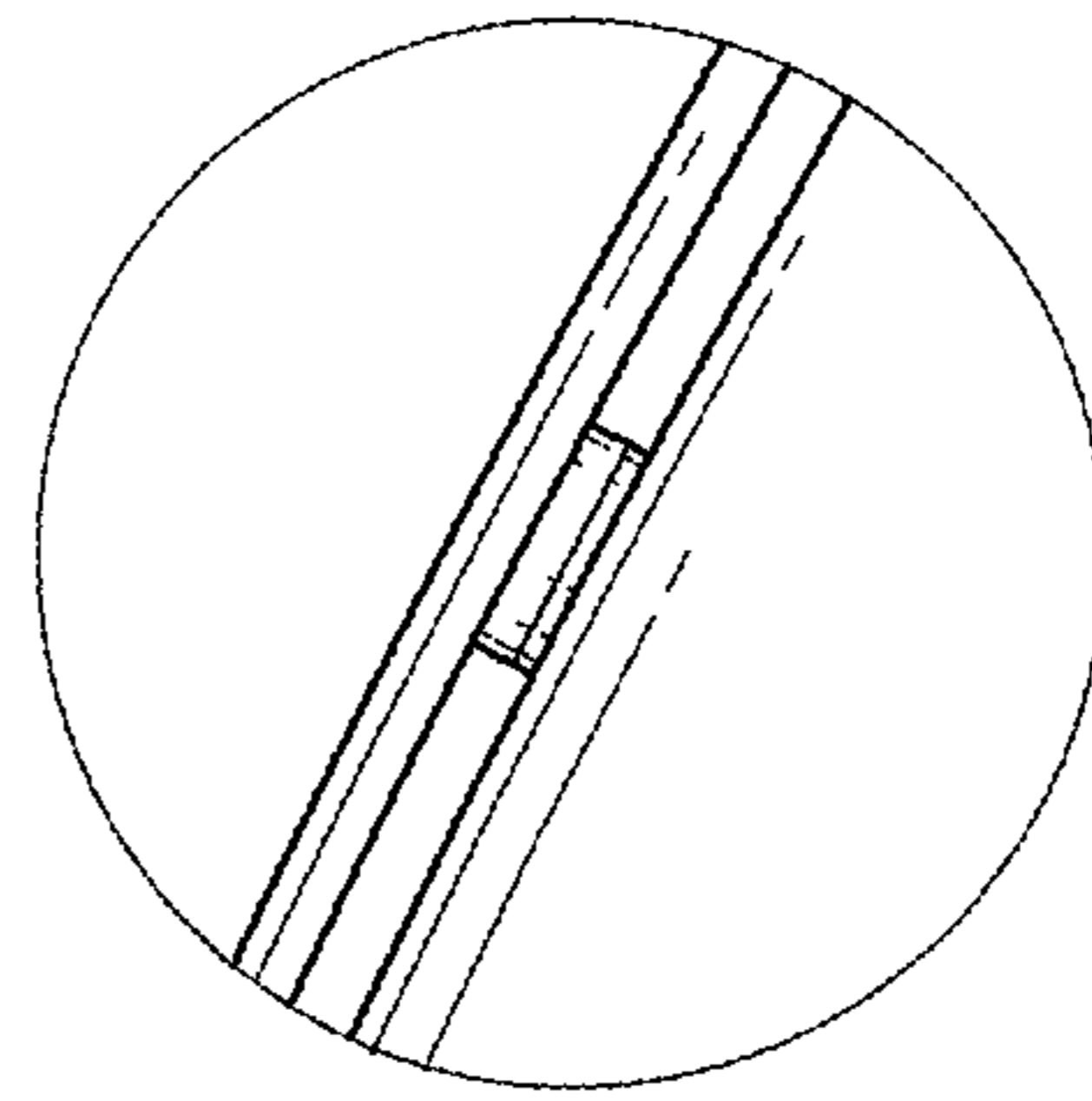


FIG. 59

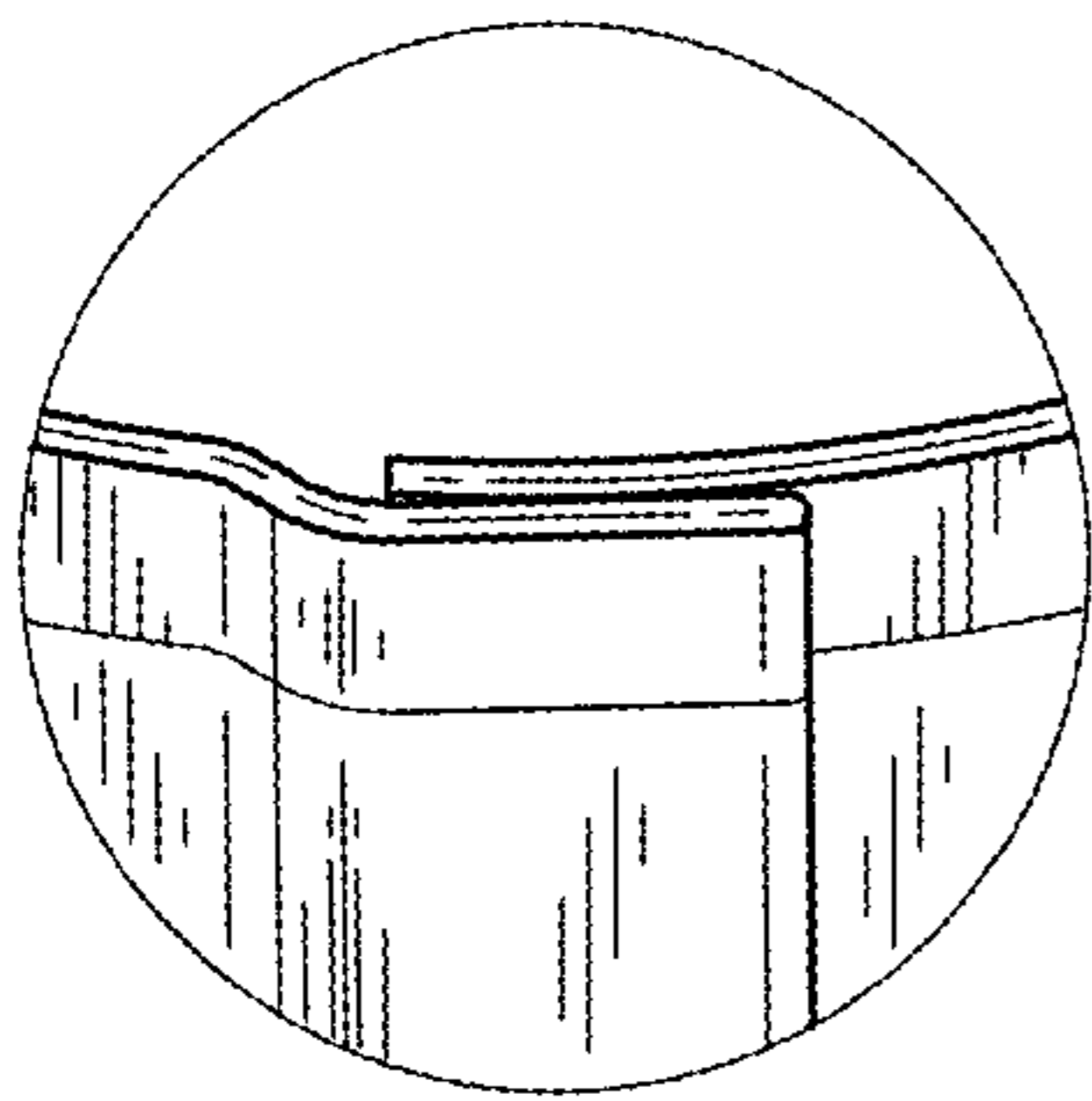


FIG. 60

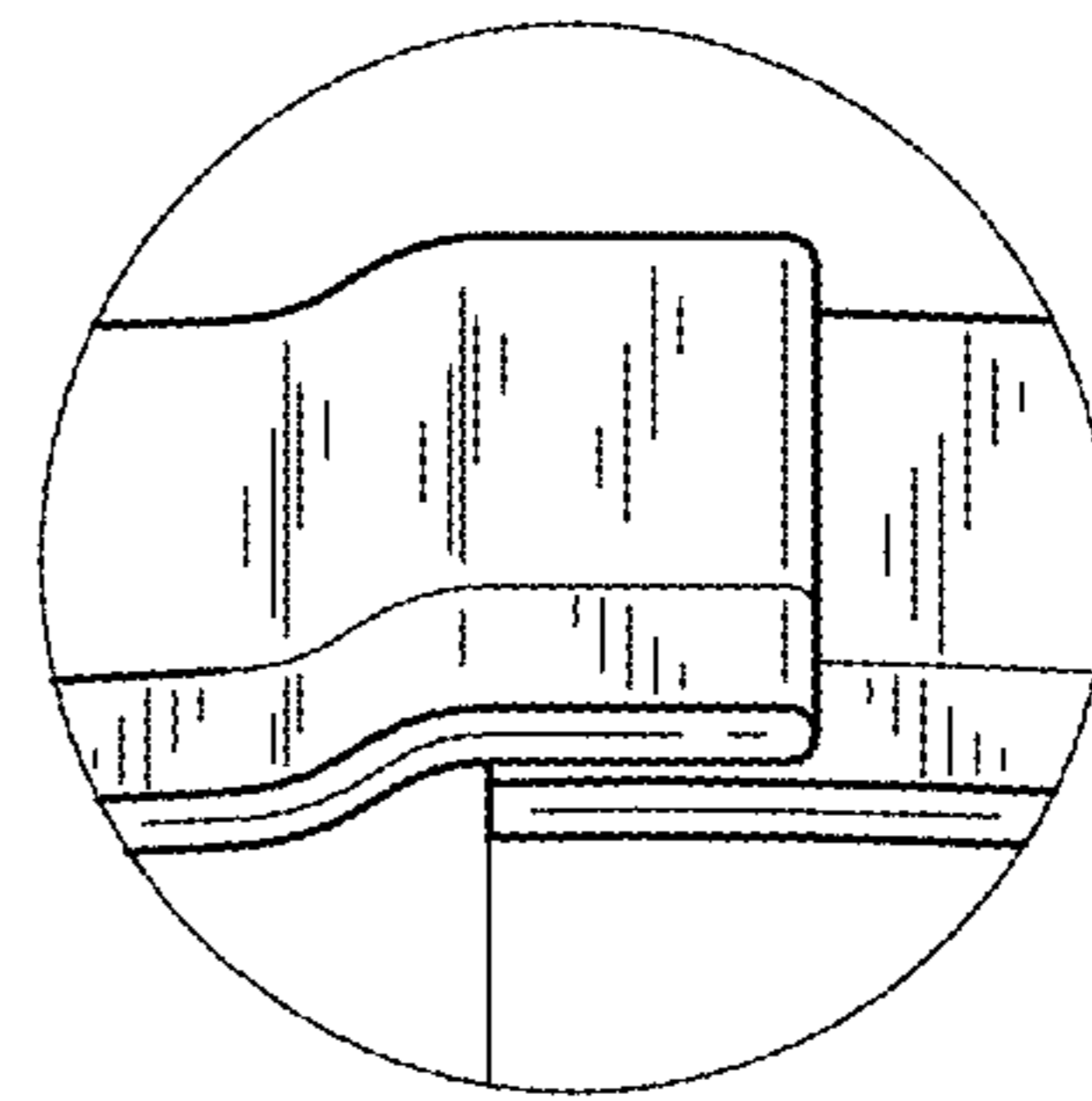


FIG. 61

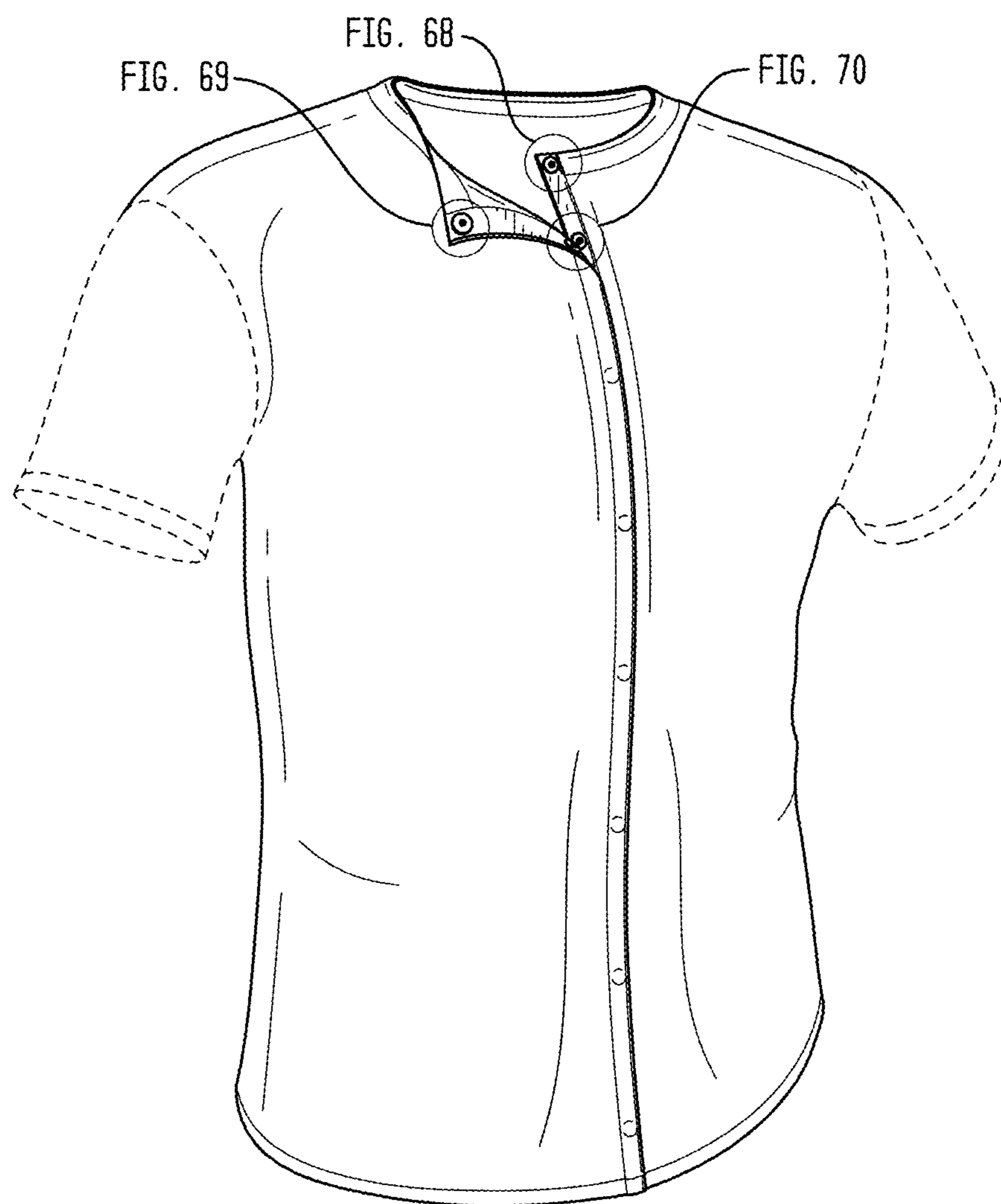


FIG. 62

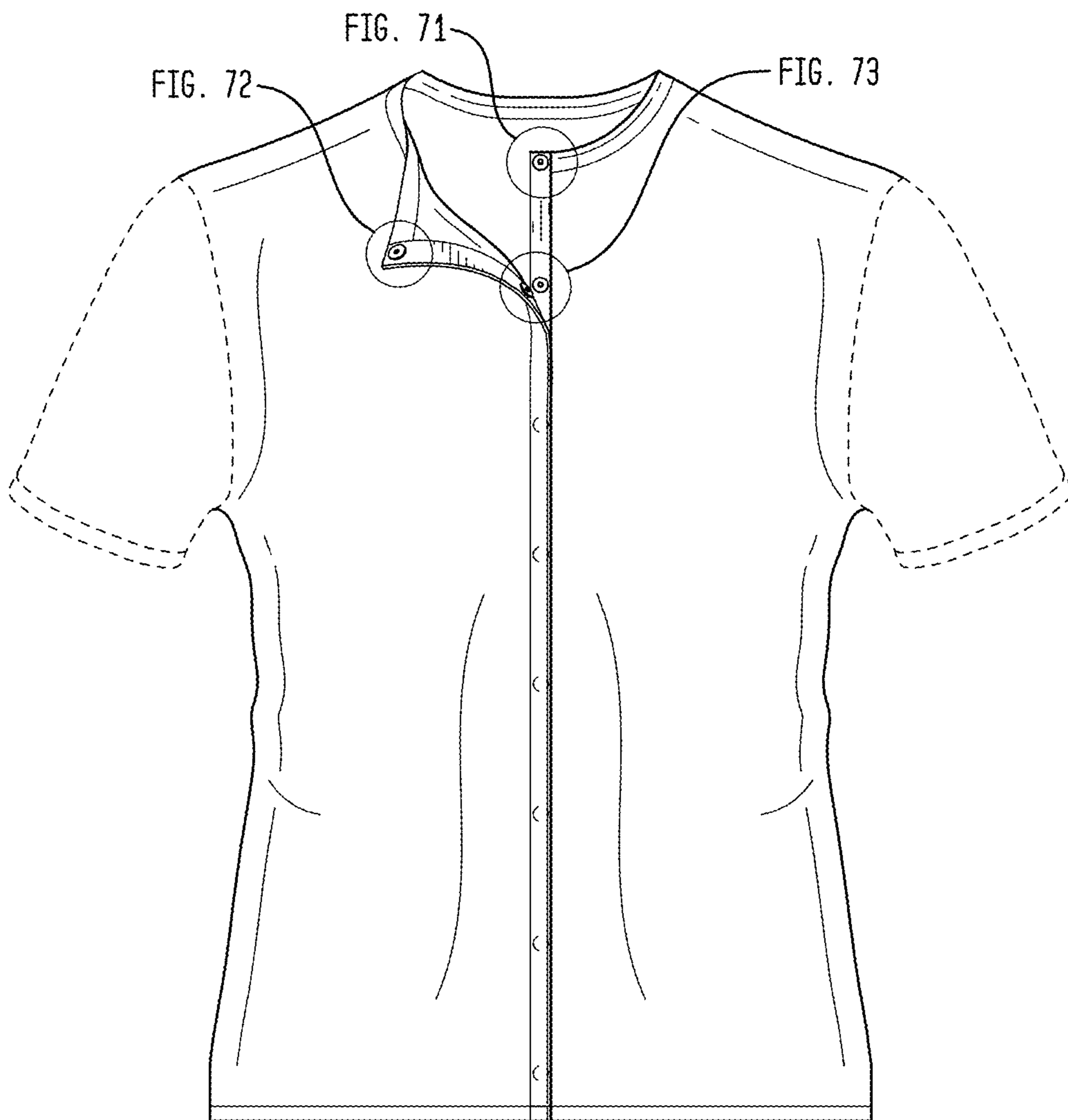


FIG. 63

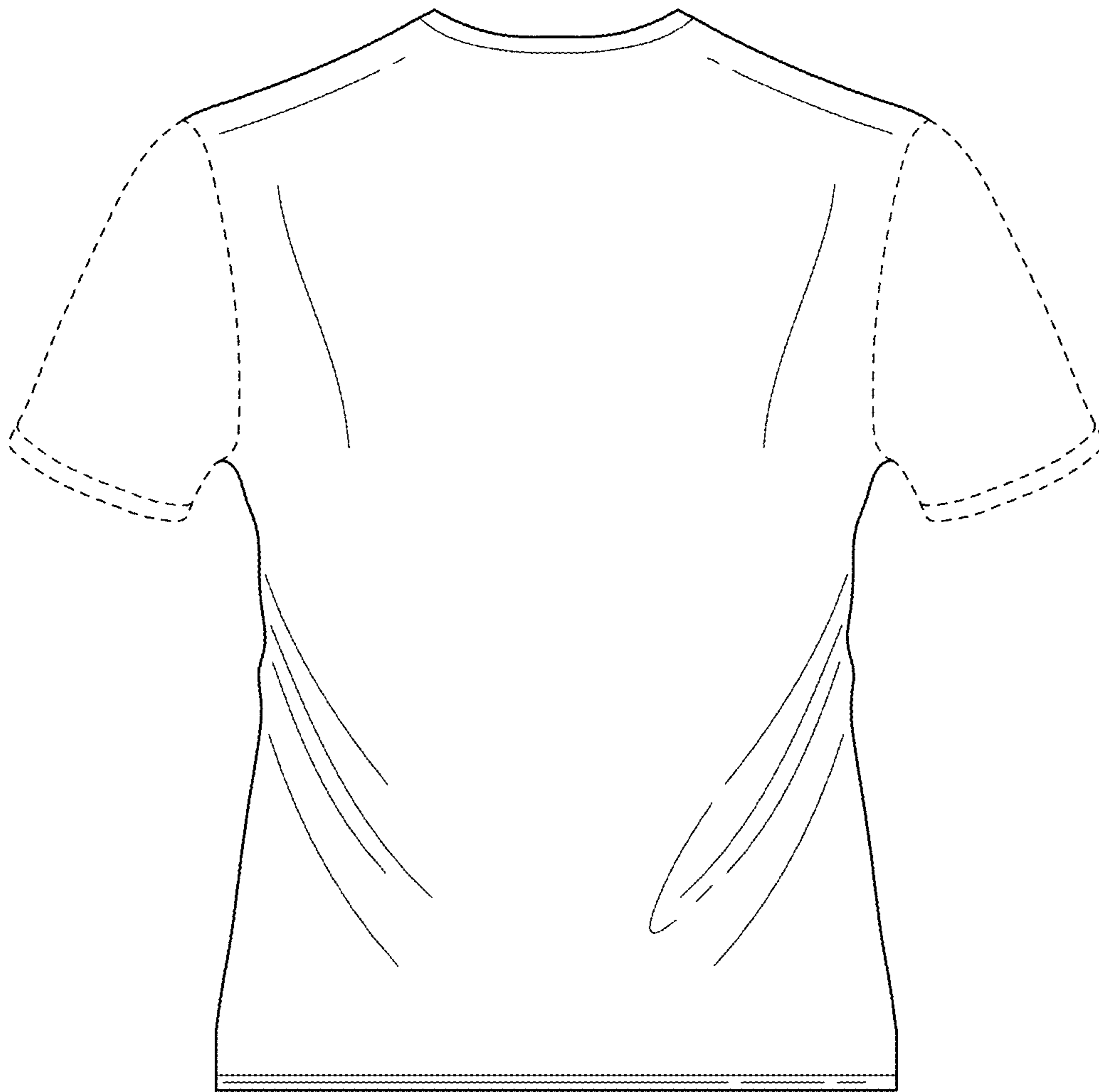


FIG. 64

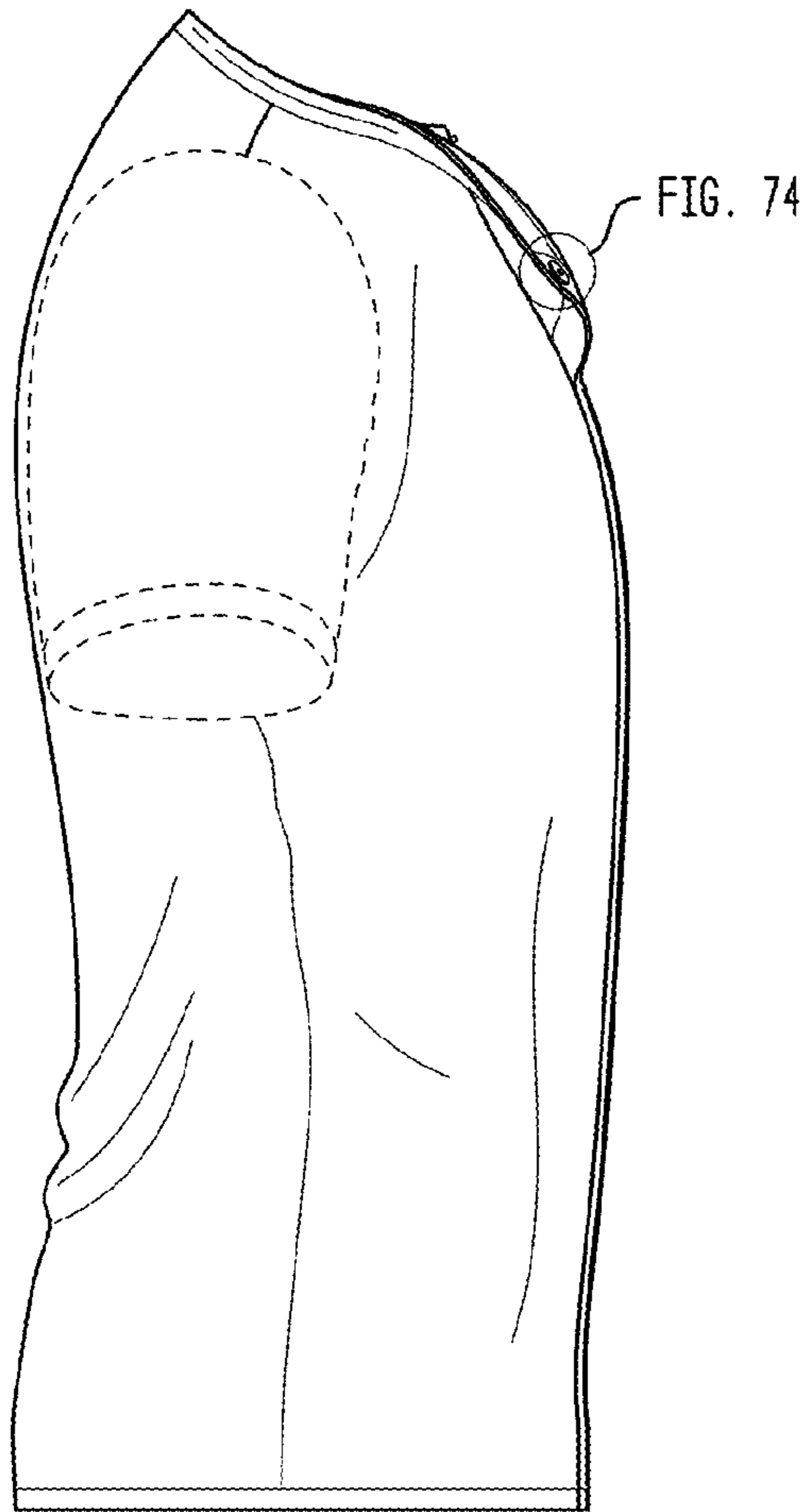


FIG. 65

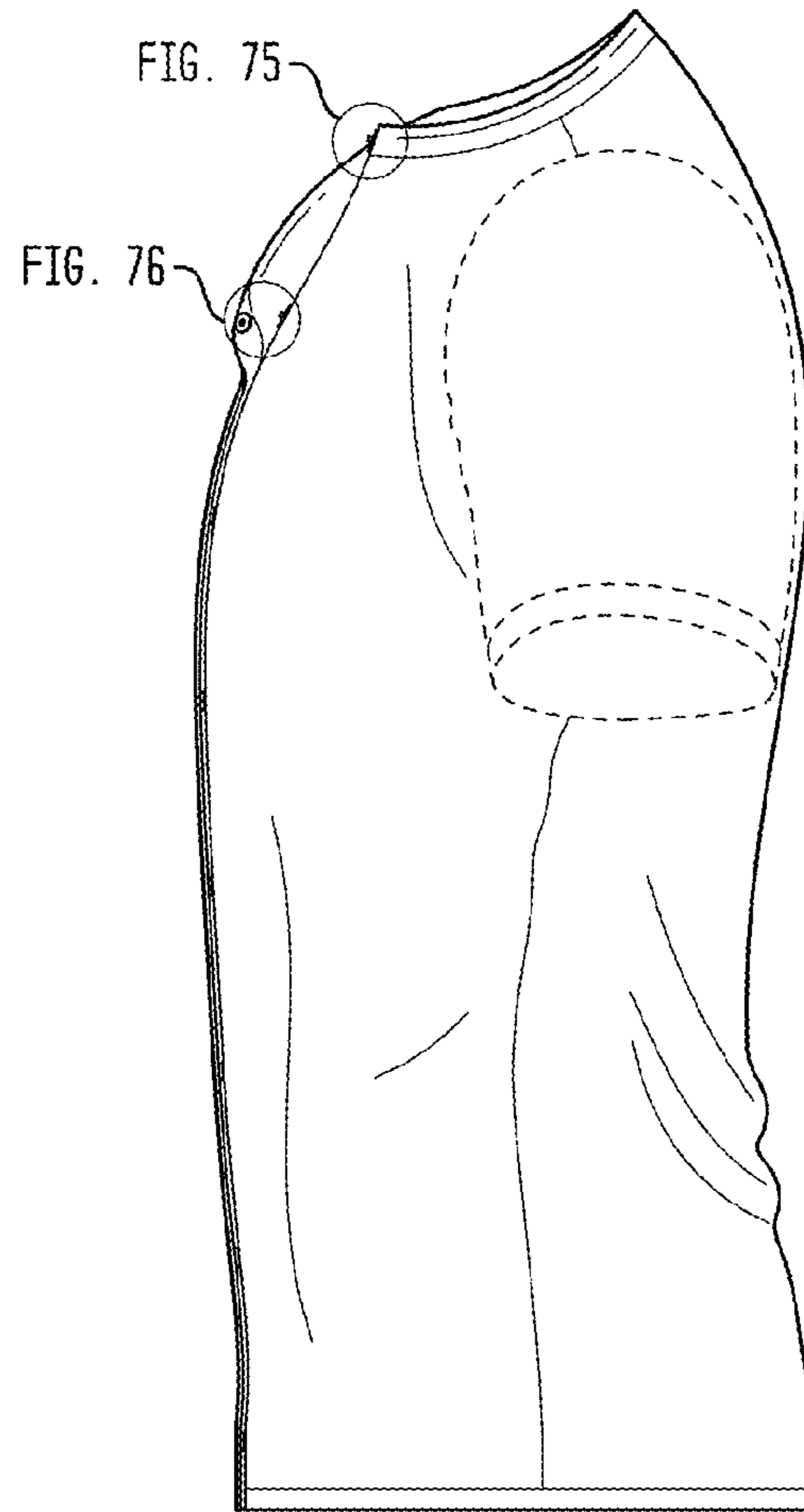


FIG. 66

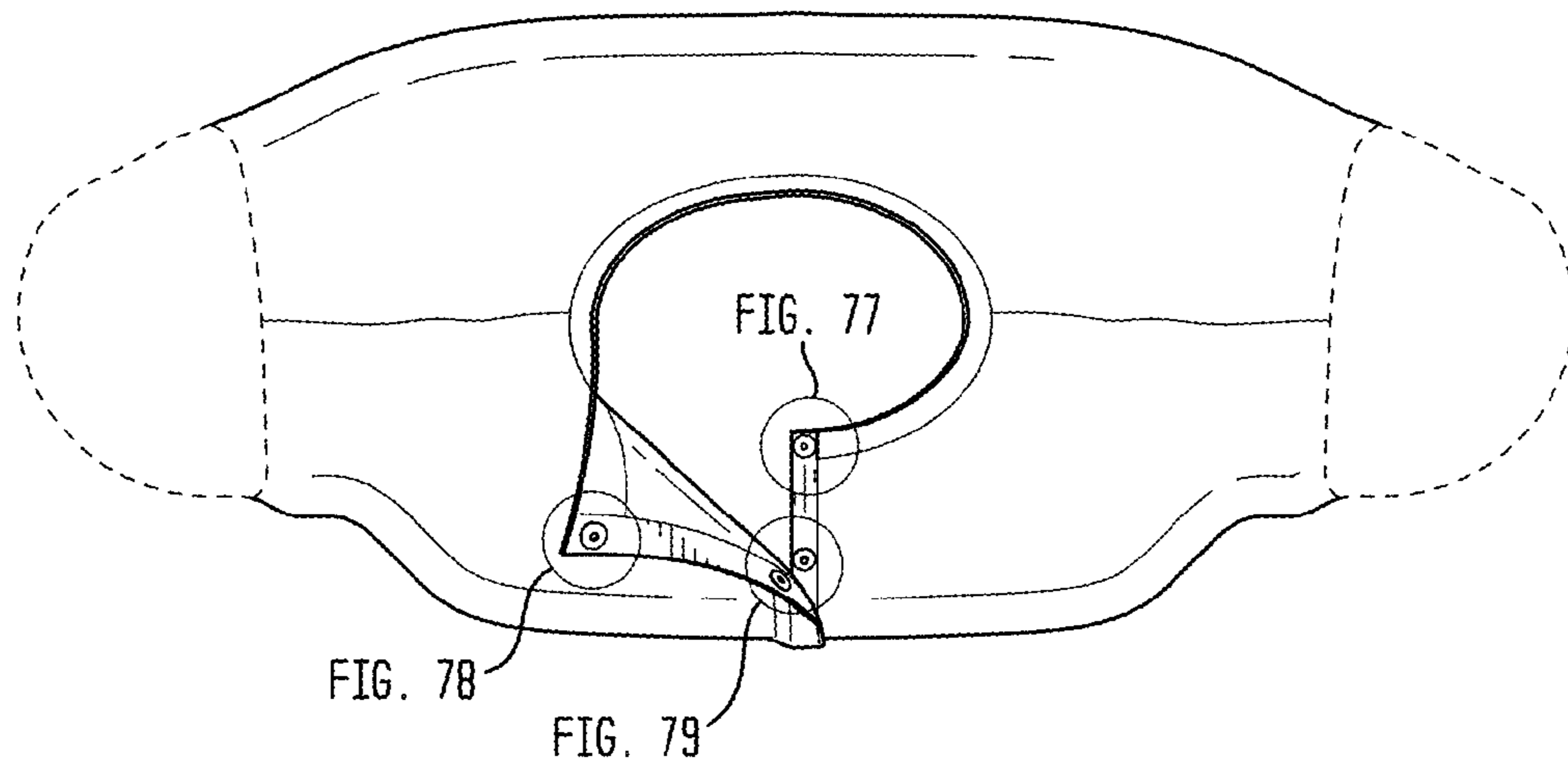


FIG. 67

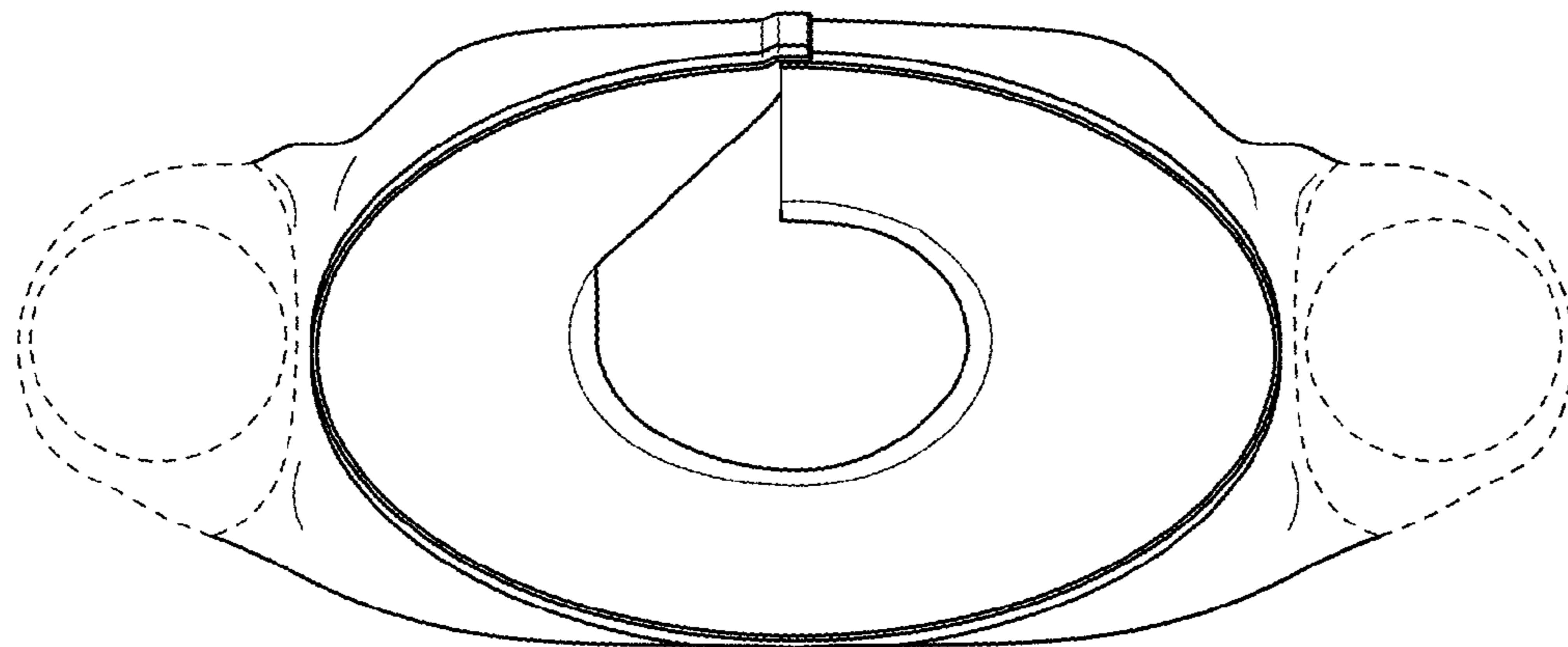


FIG. 68

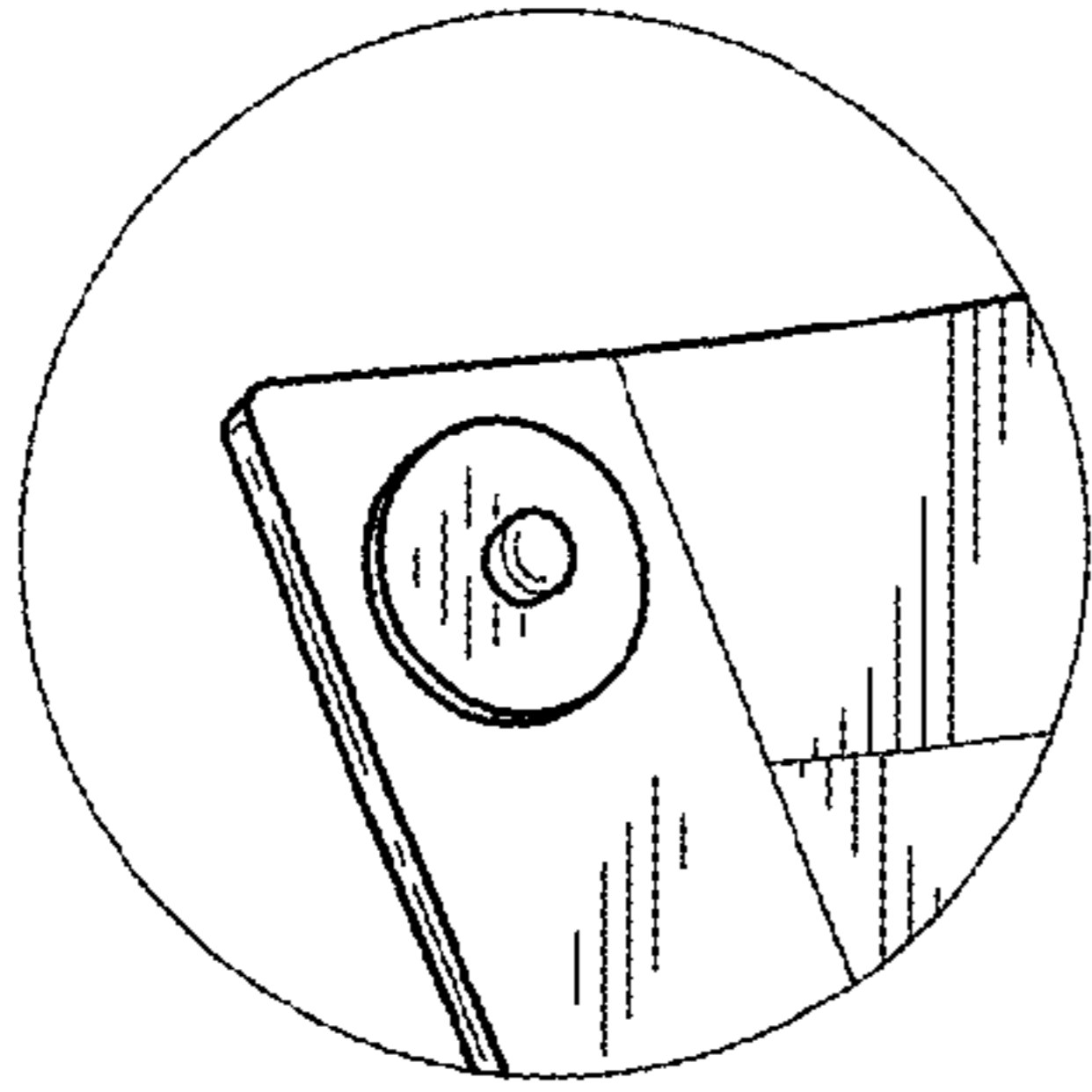


FIG. 69

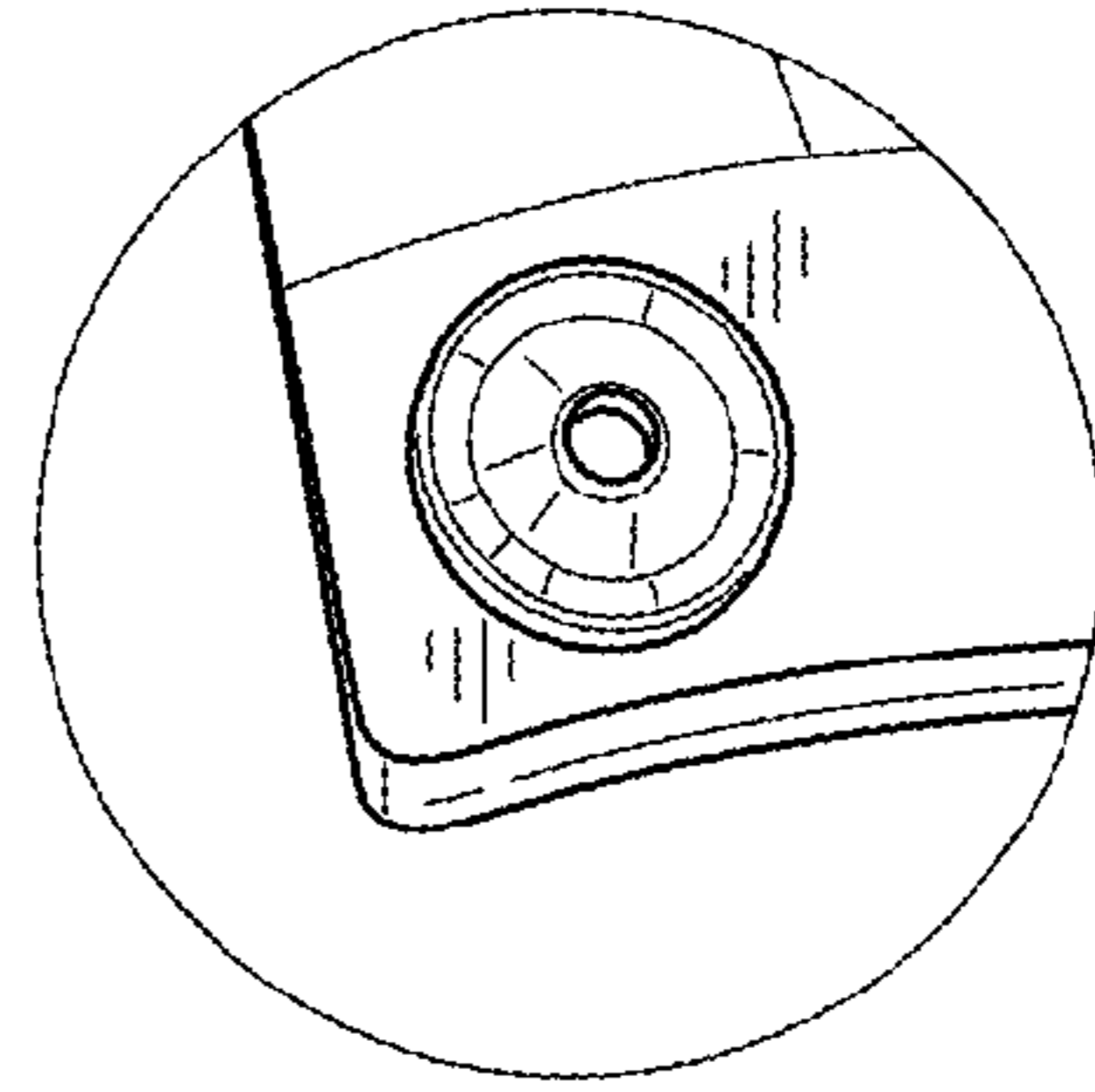


FIG. 70

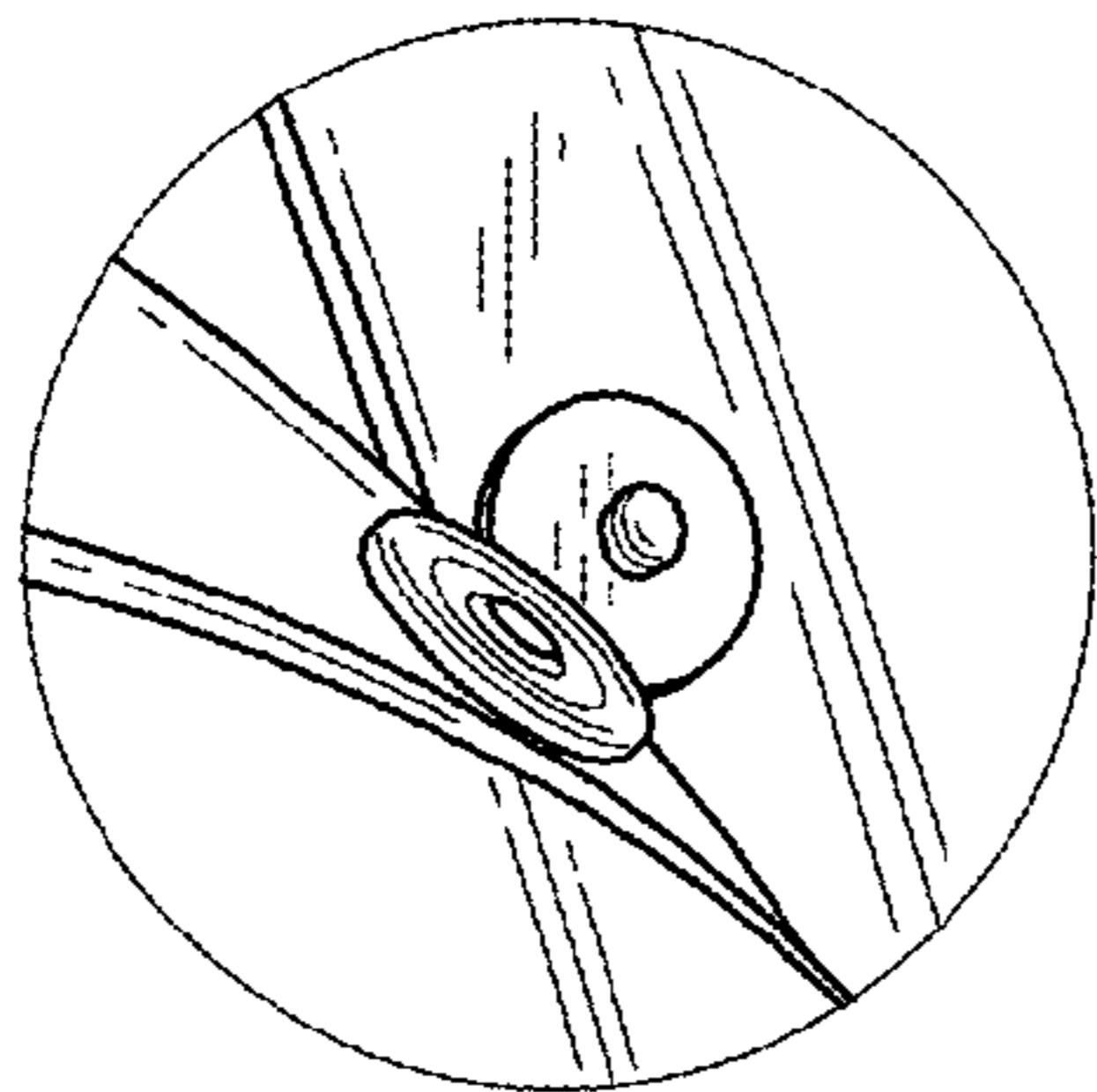


FIG. 71

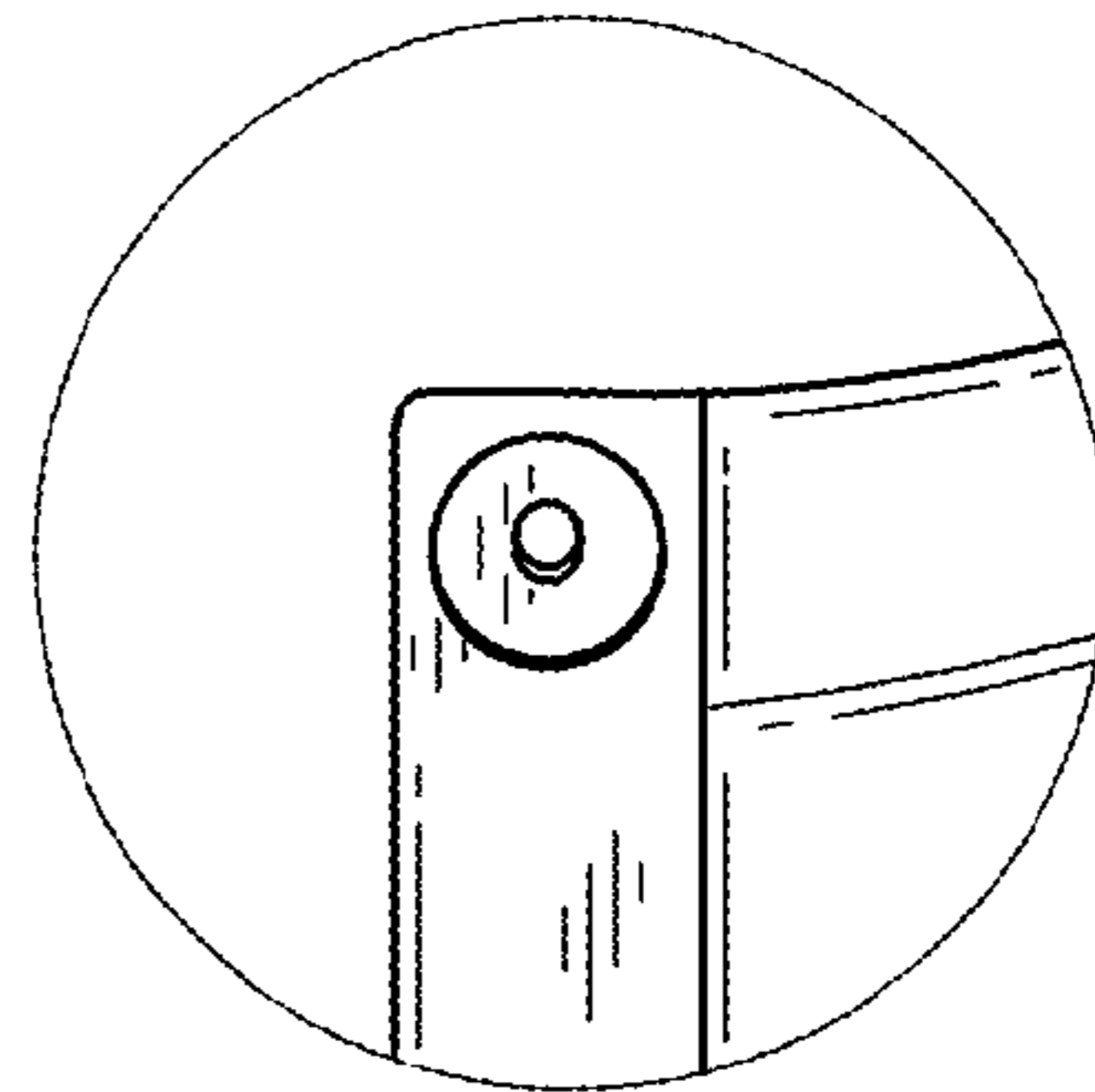


FIG. 72

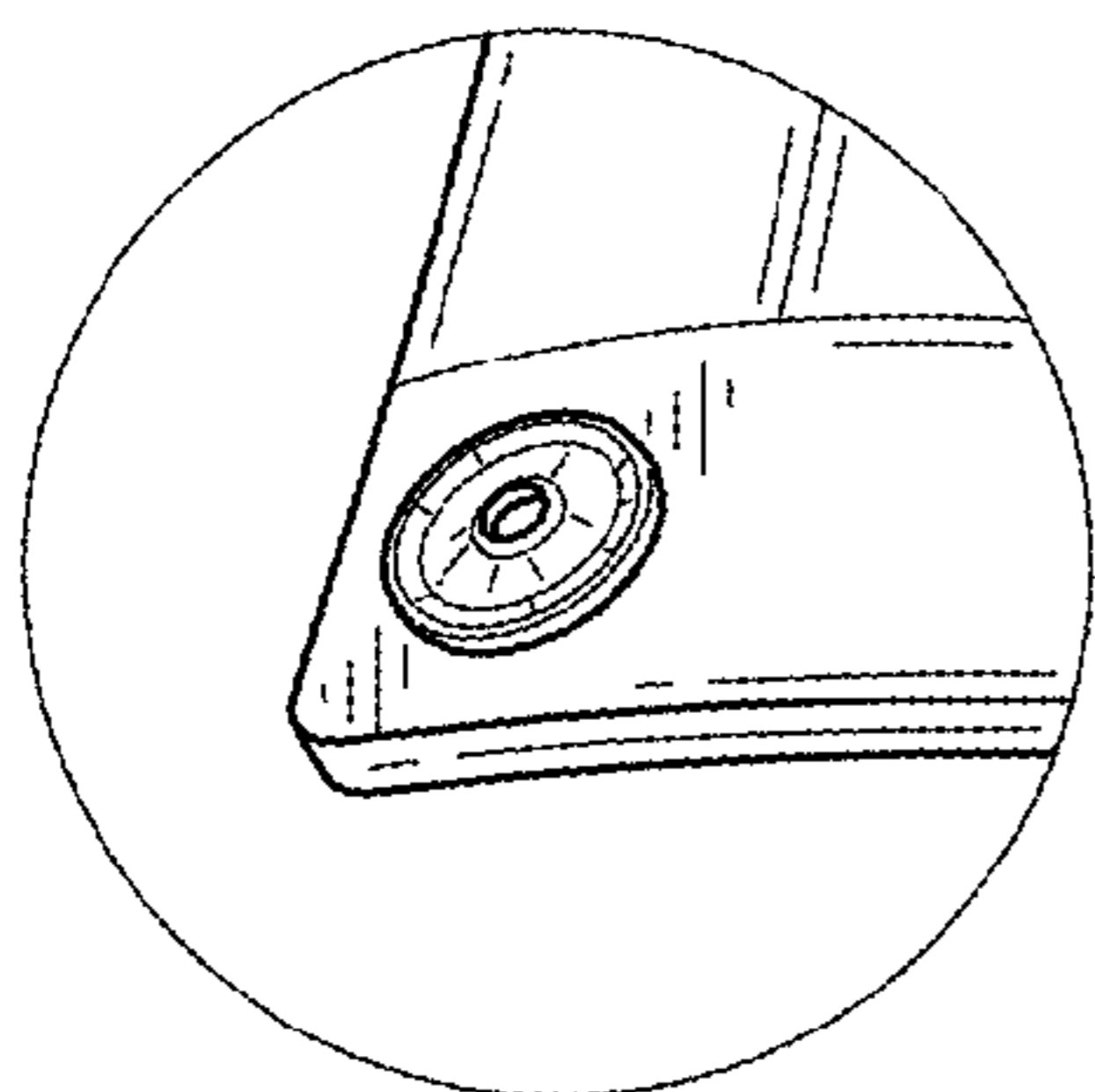


FIG. 73

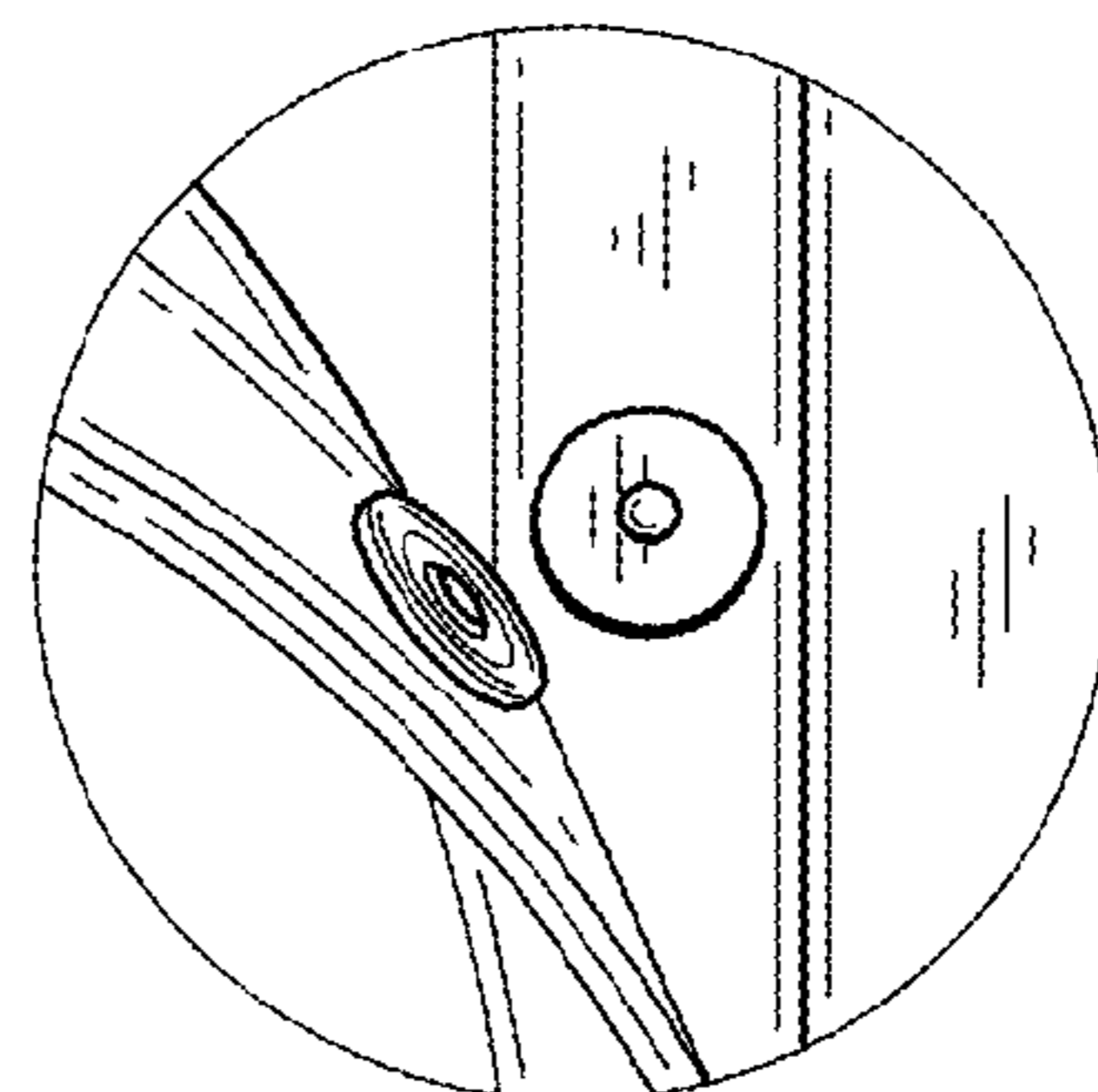


FIG. 74

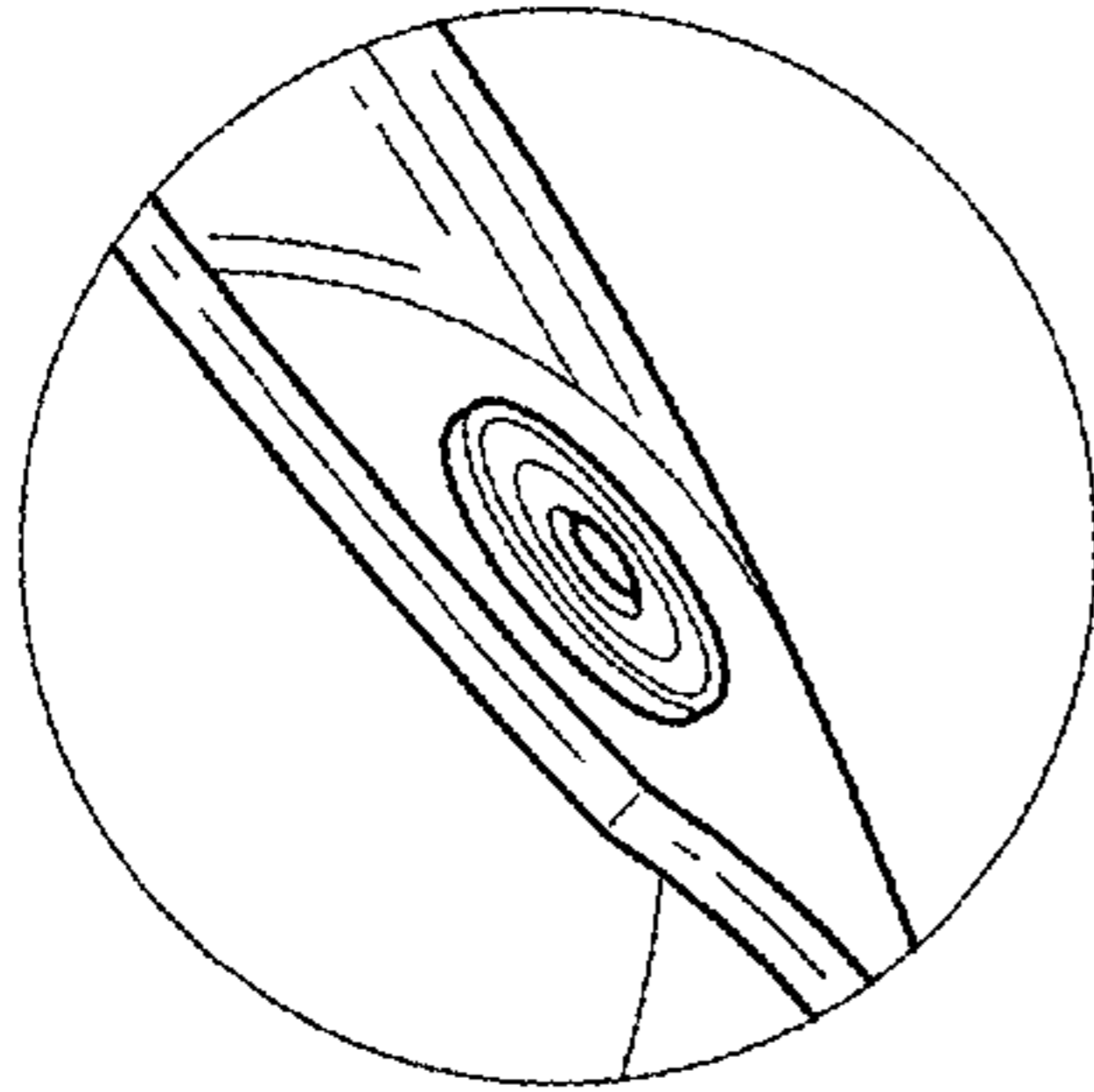


FIG. 75

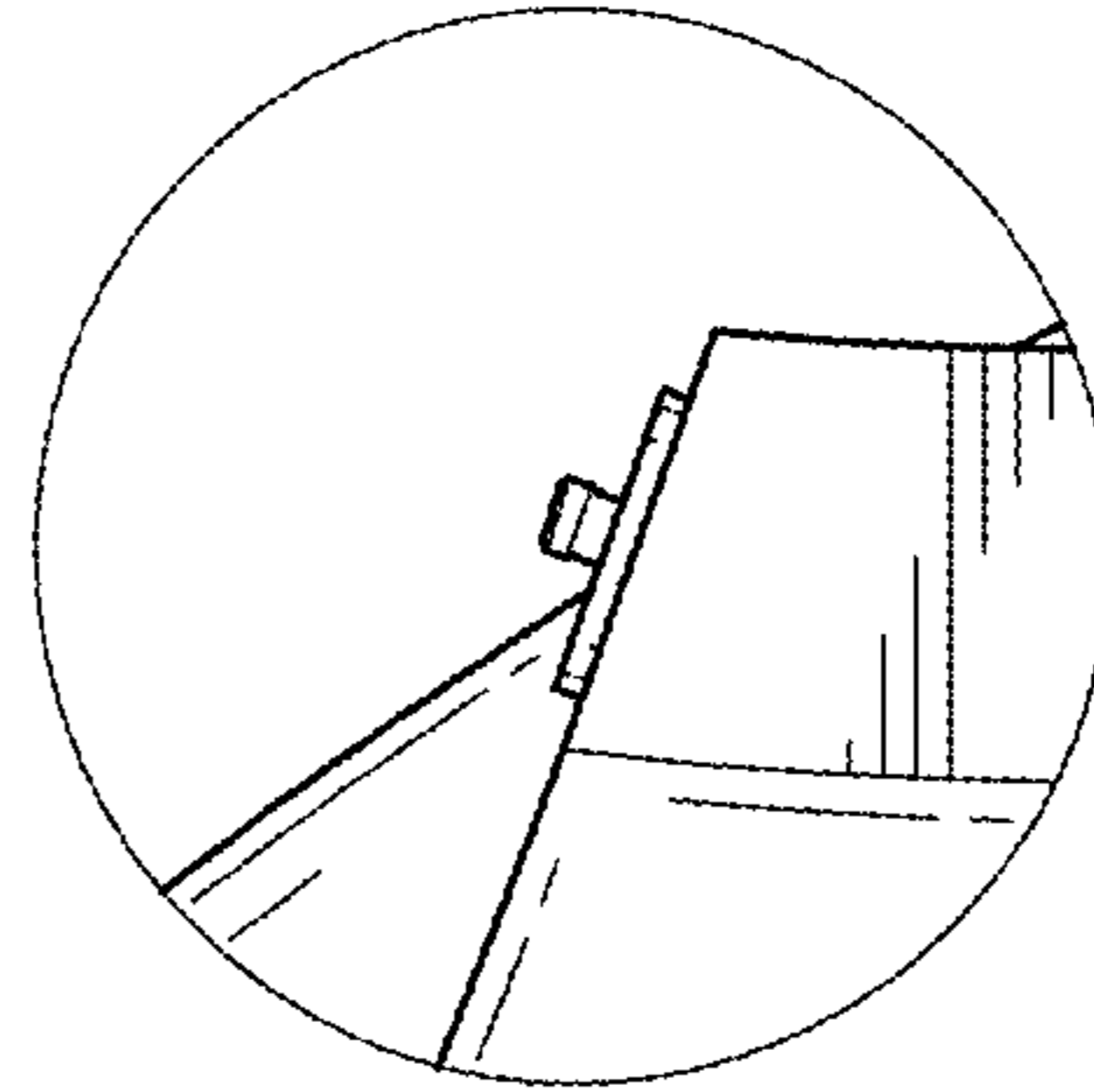


FIG. 76

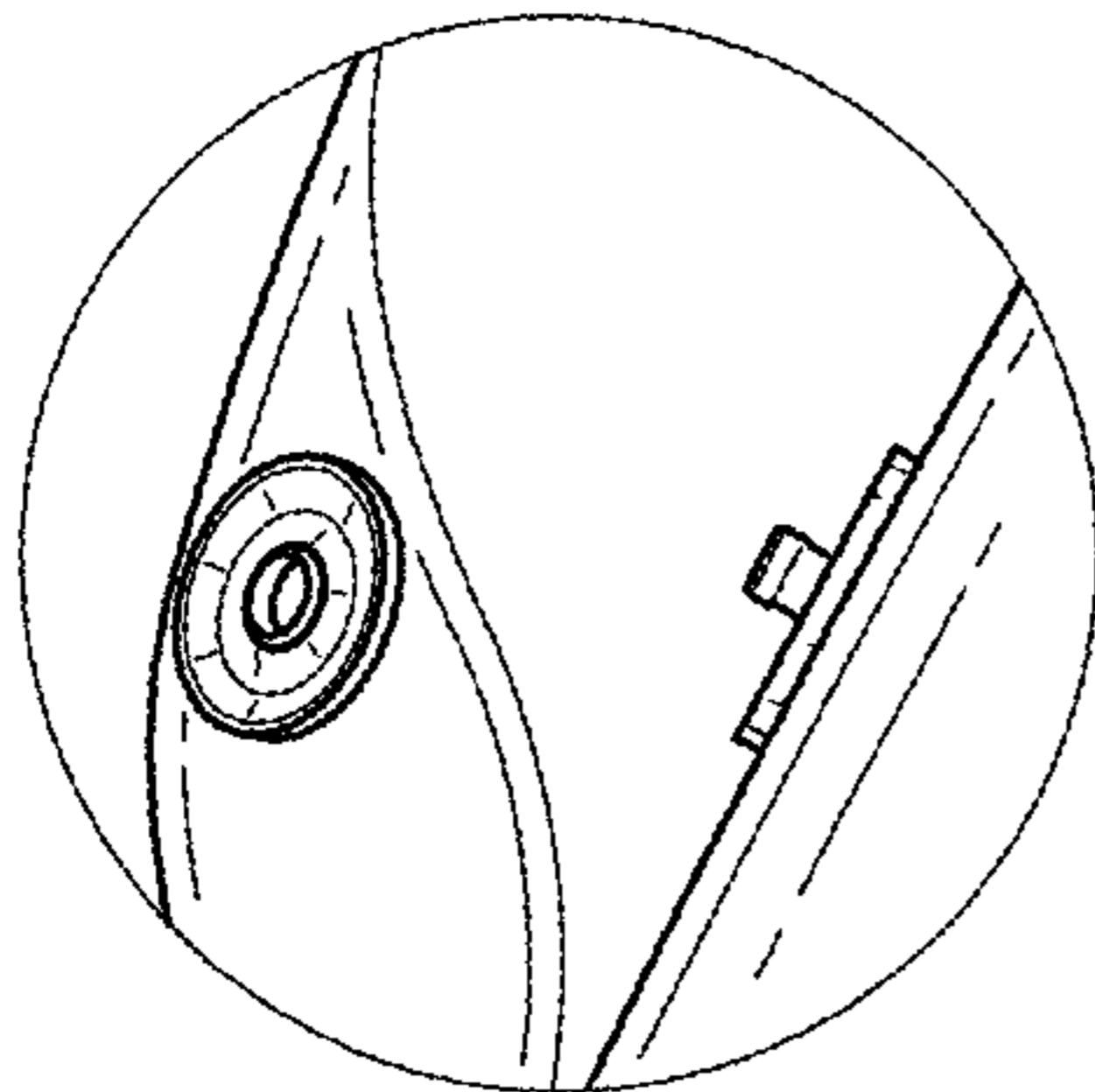


FIG. 77

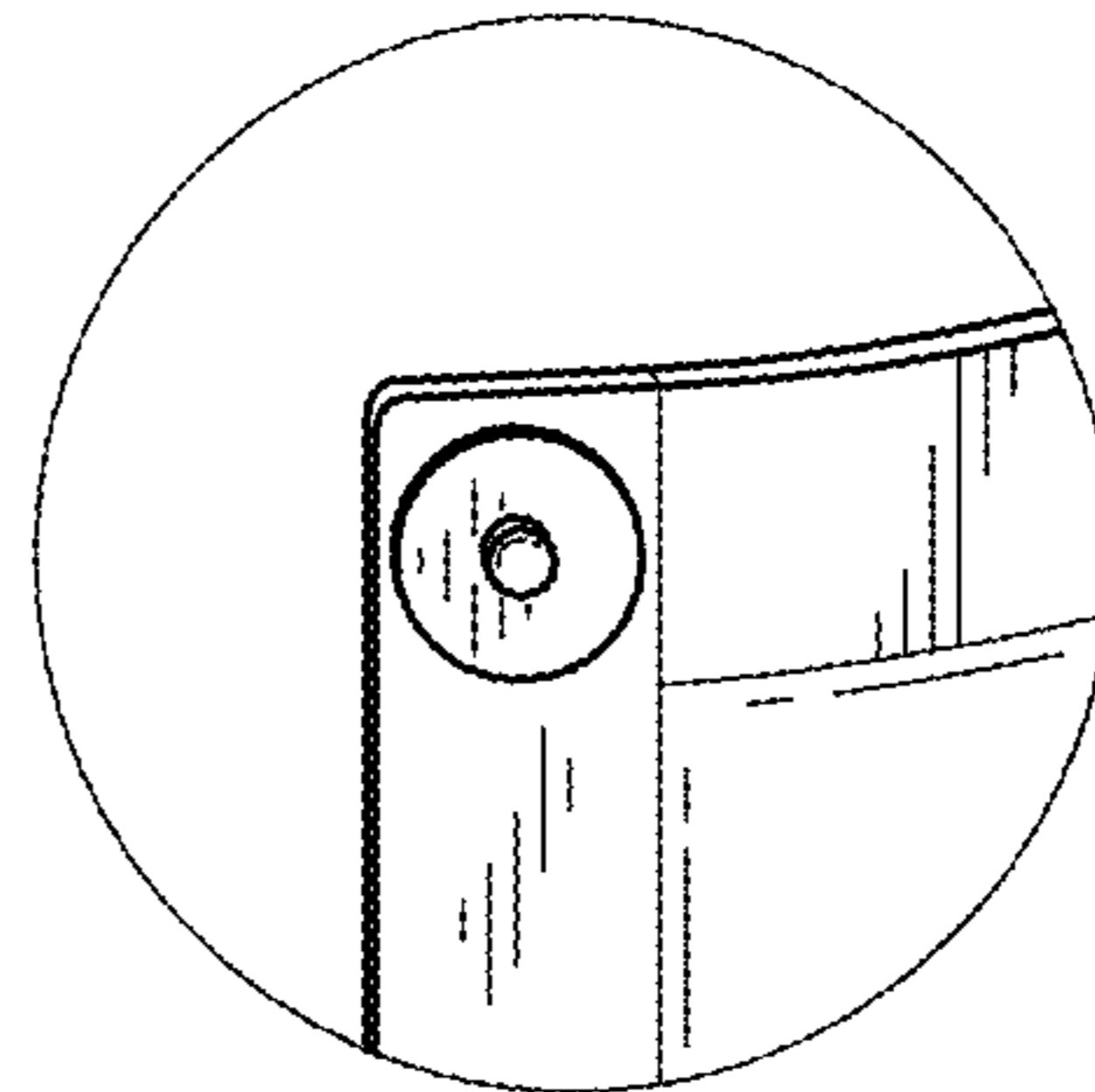


FIG. 78

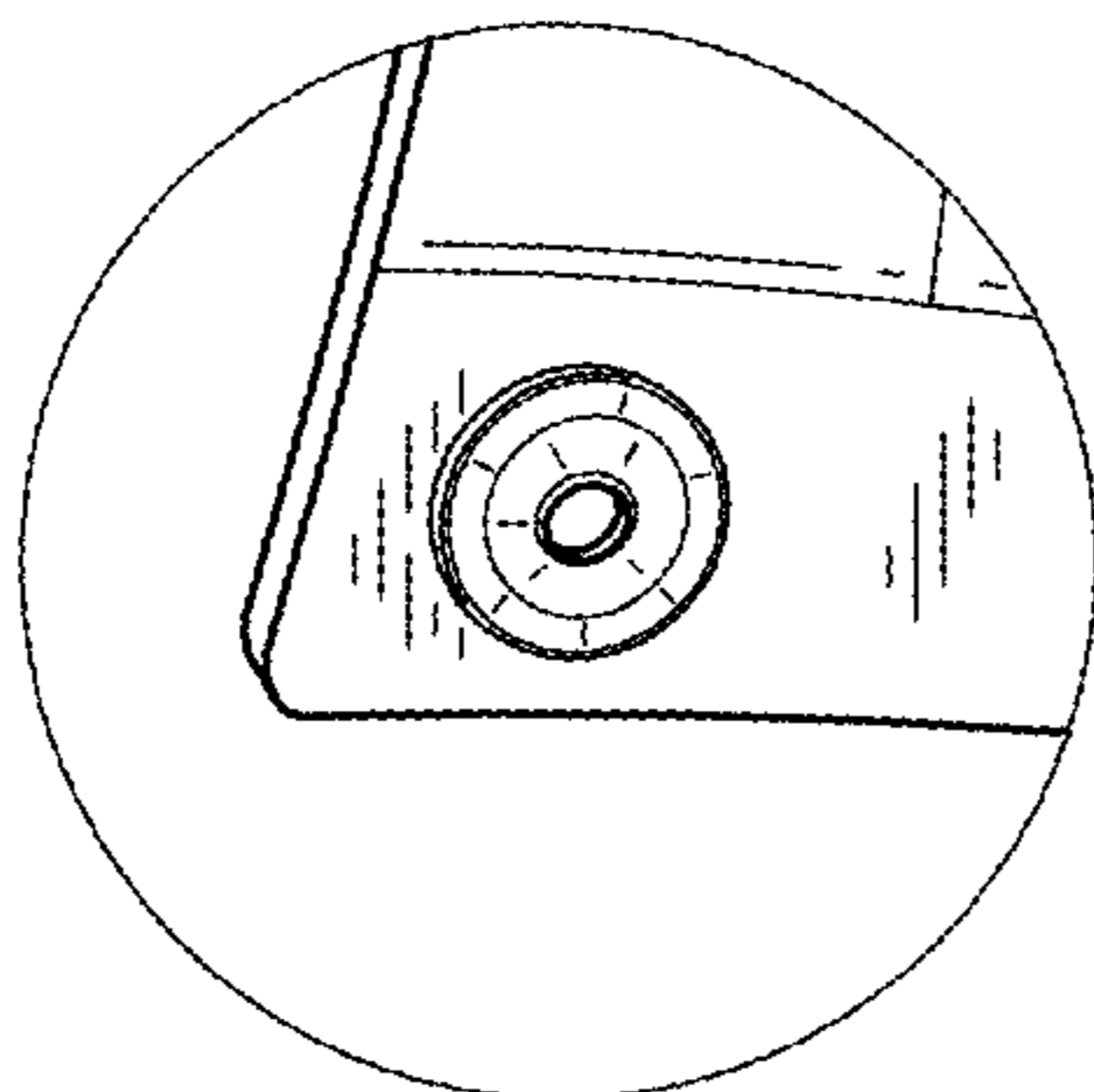


FIG. 79

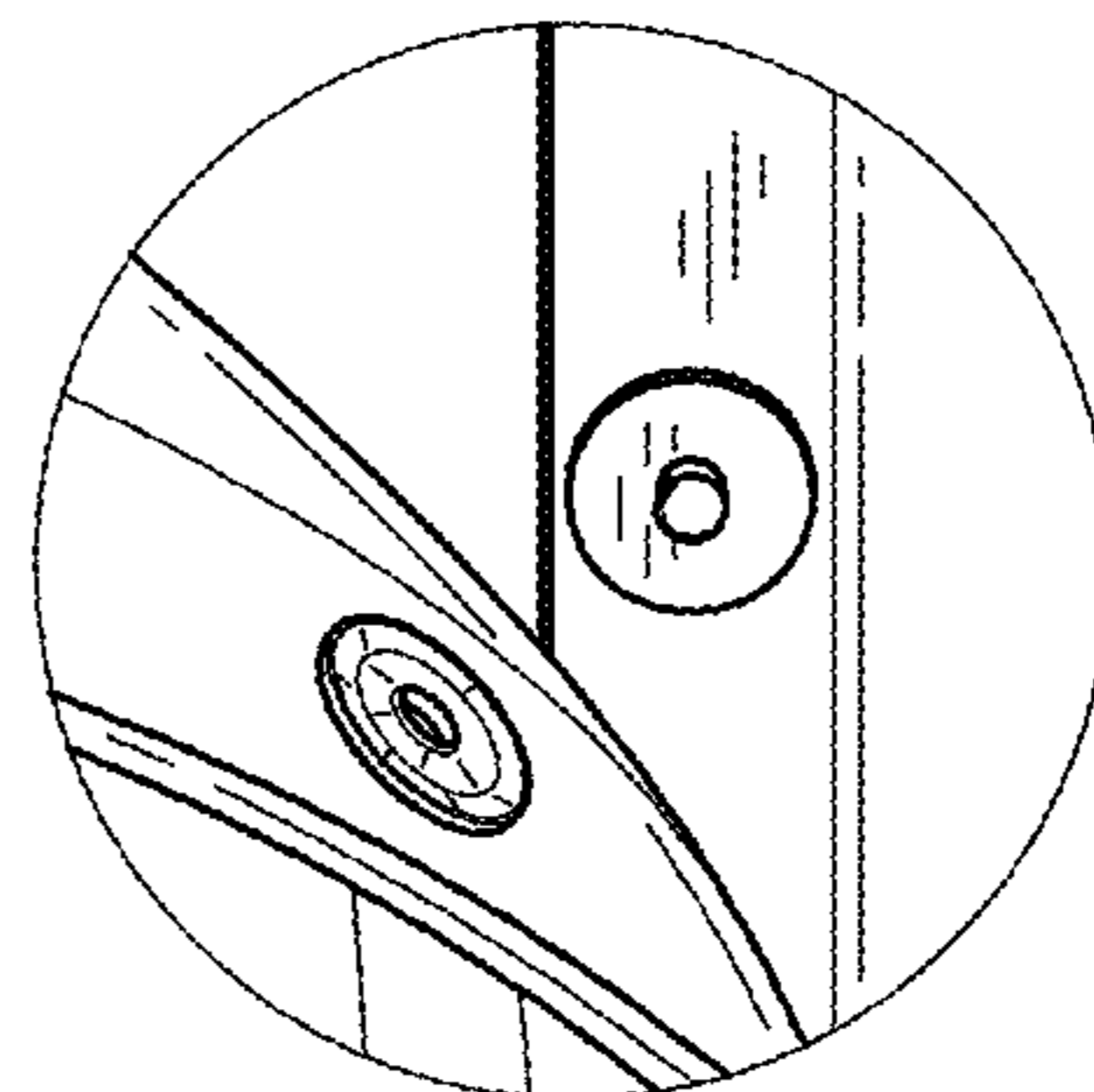


FIG. 80

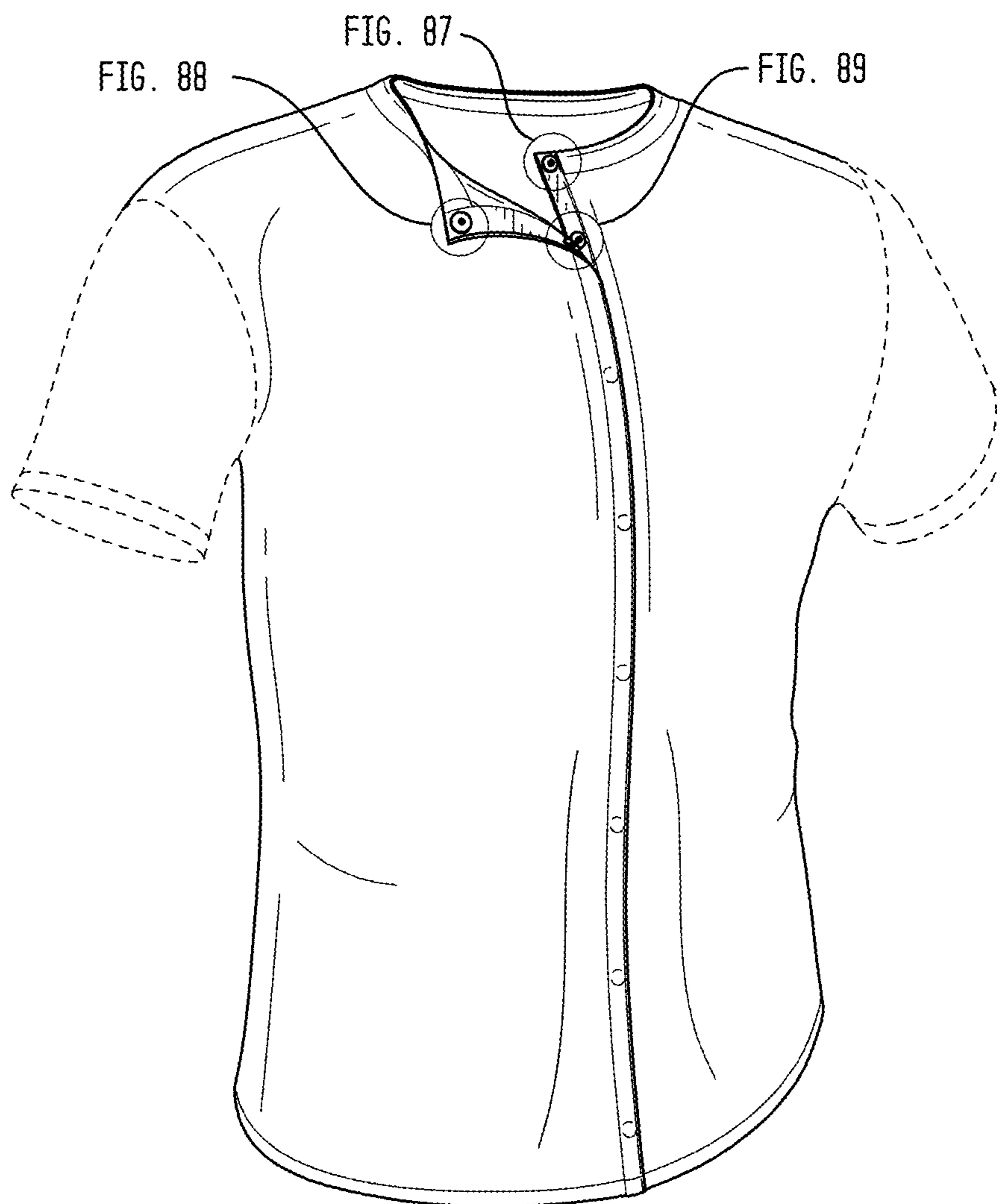


FIG. 81

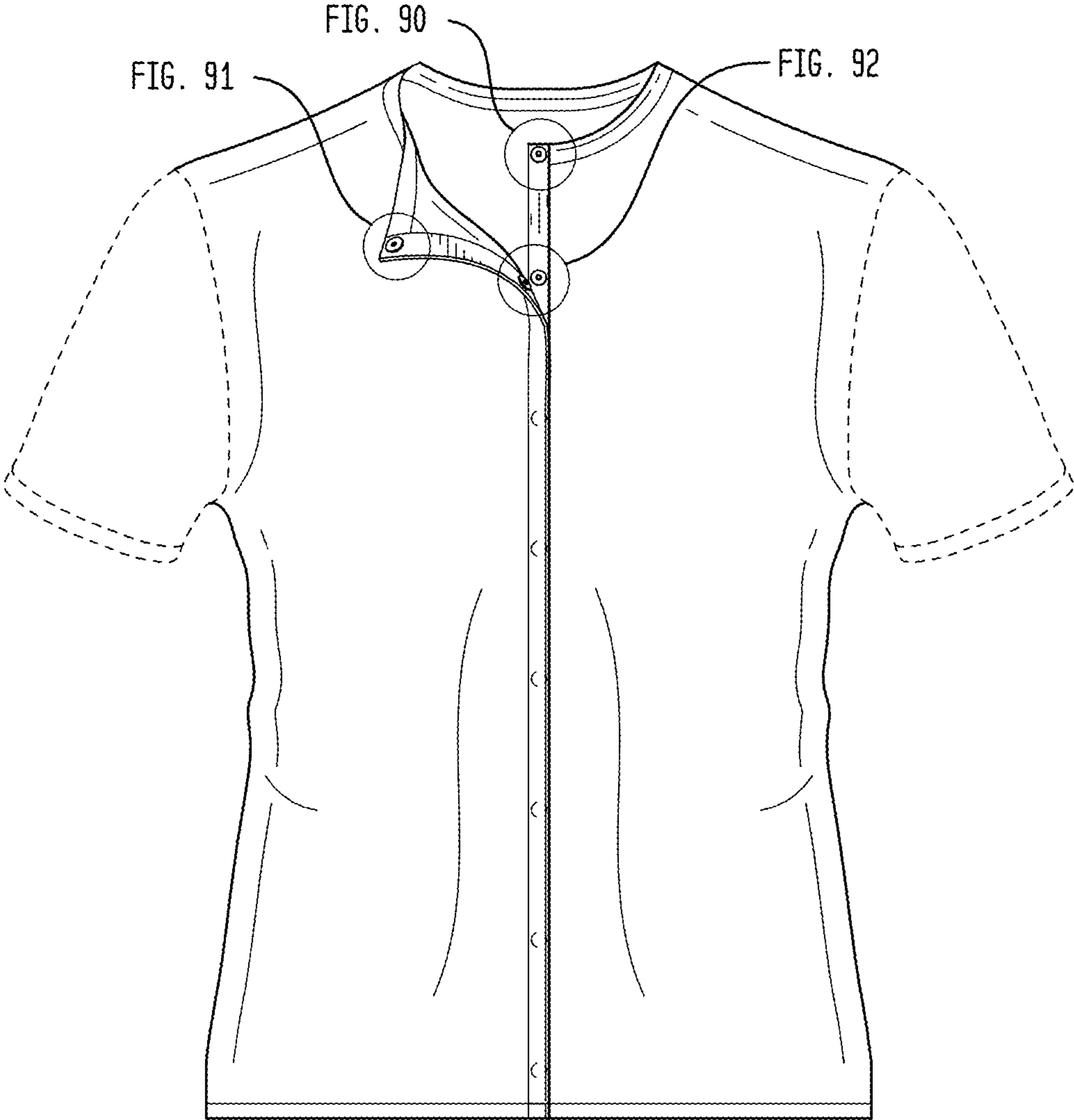


FIG. 82

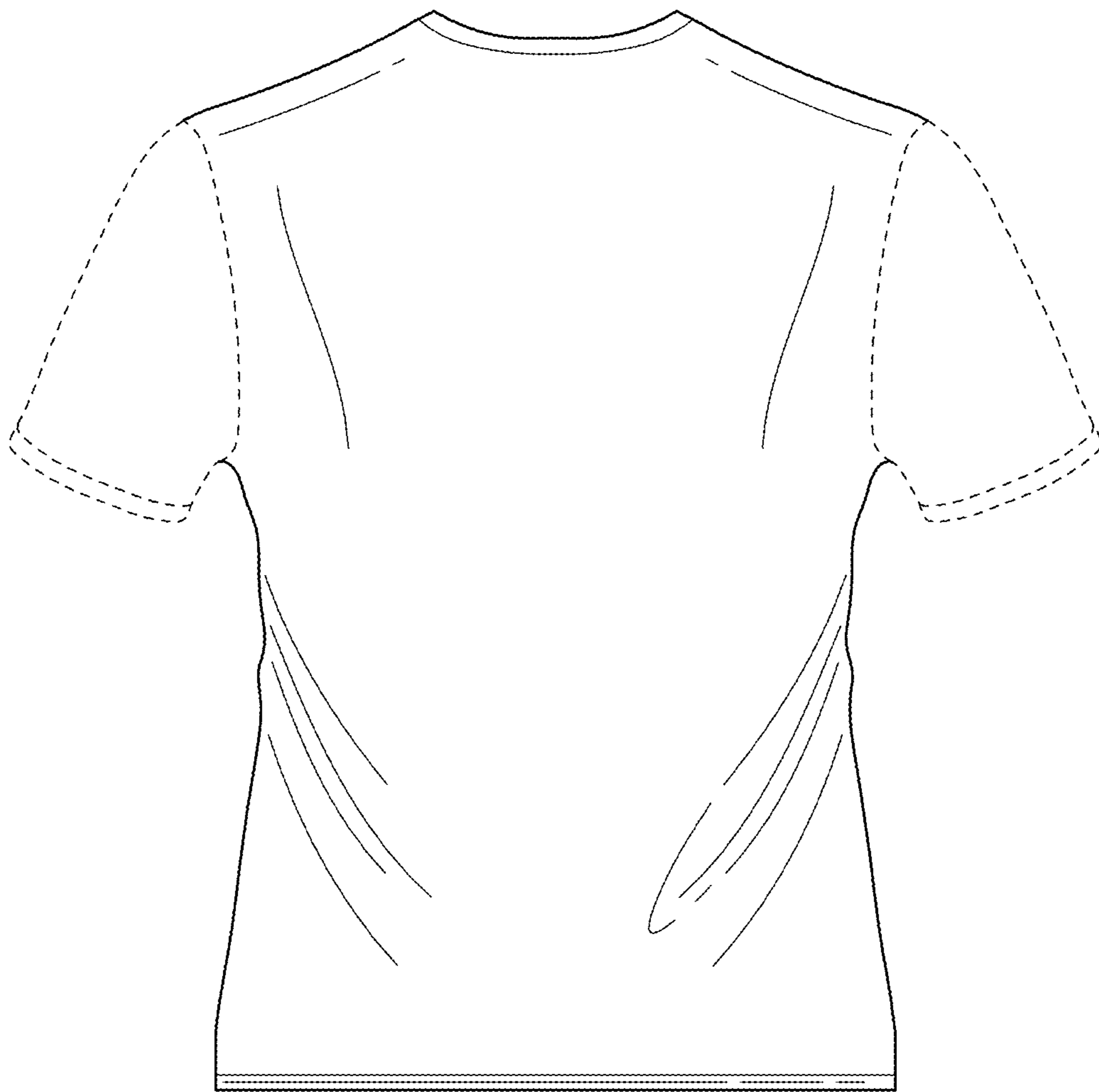


FIG. 83

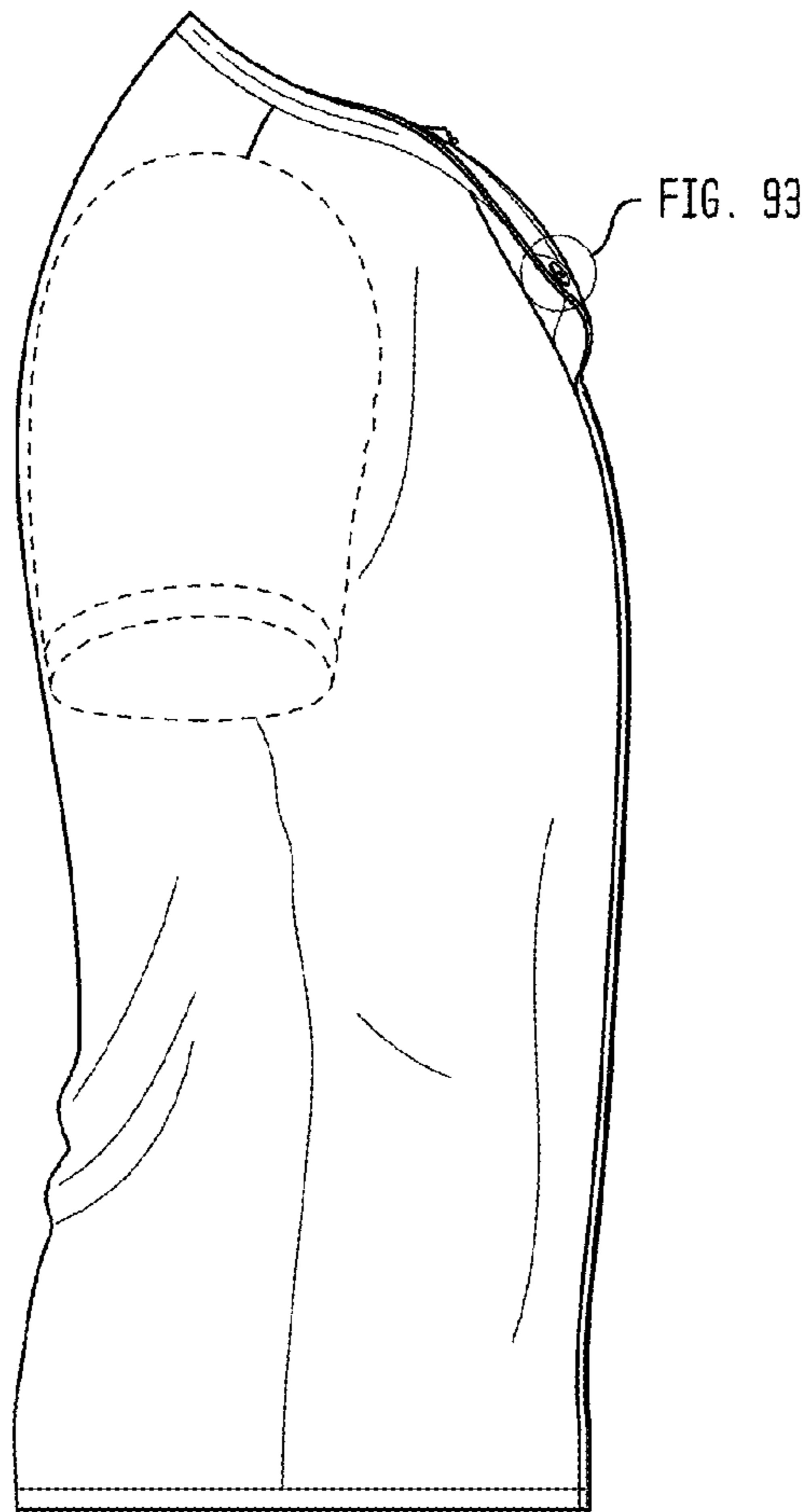


FIG. 84

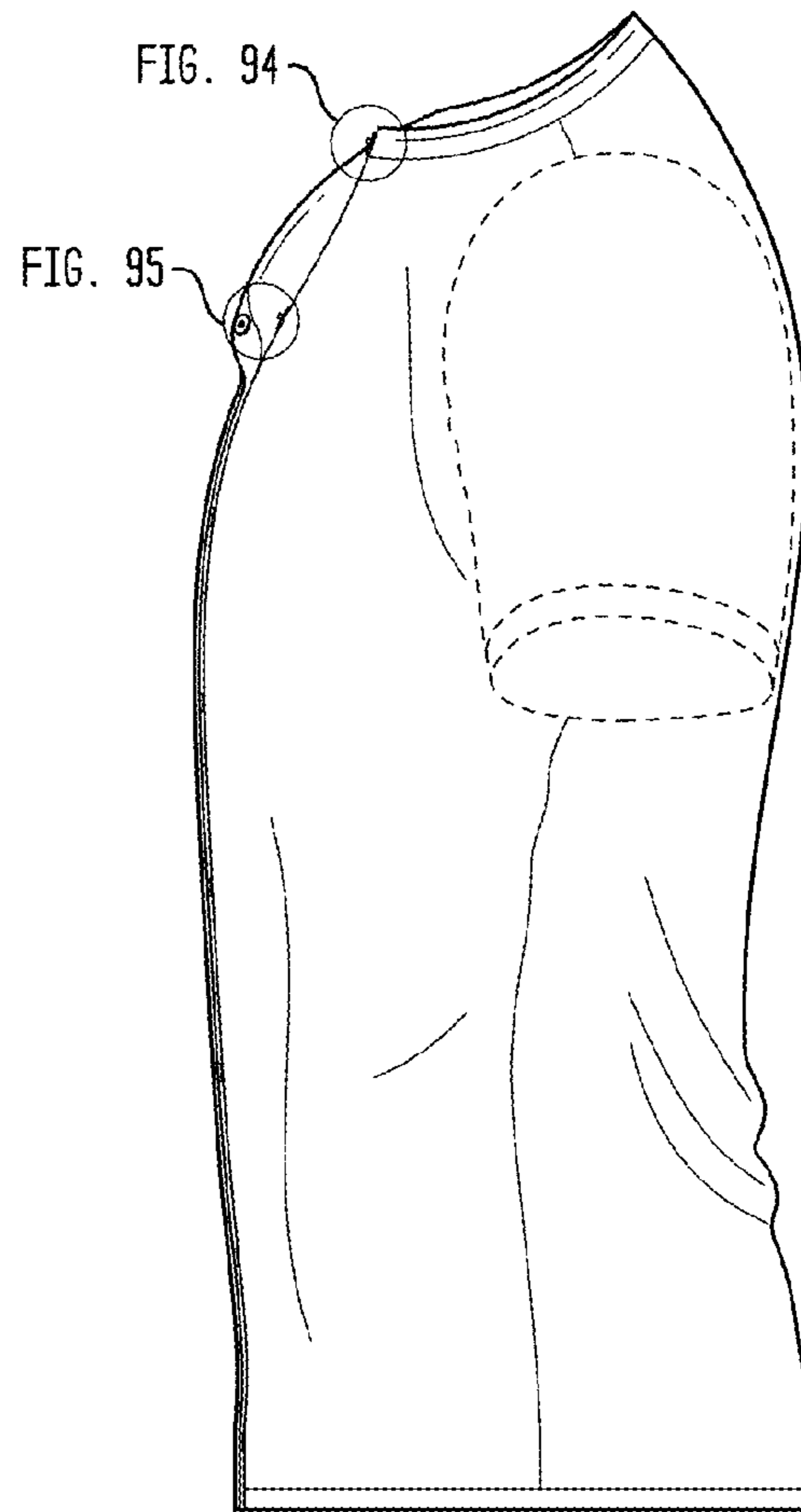


FIG. 85

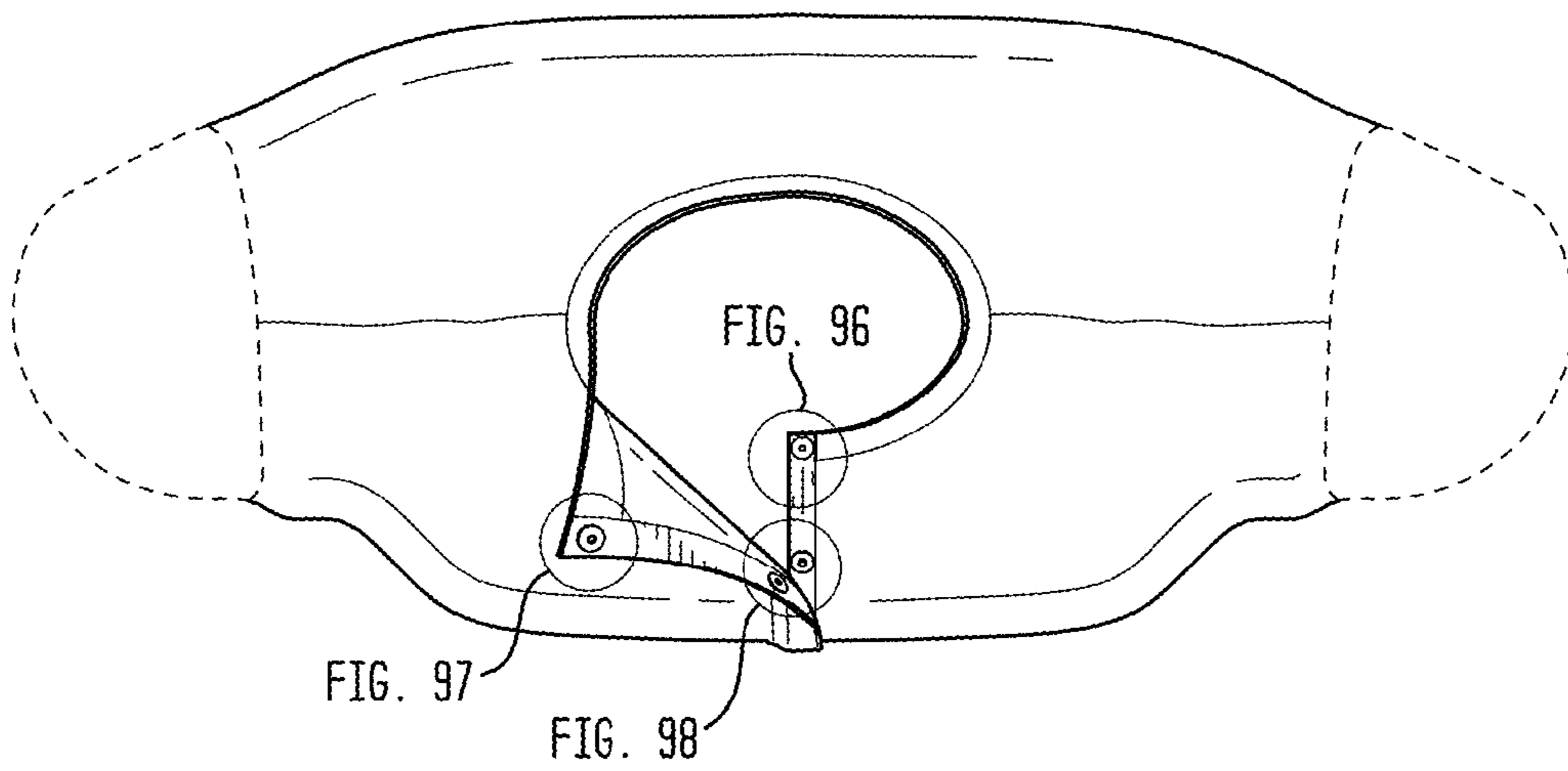


FIG. 86

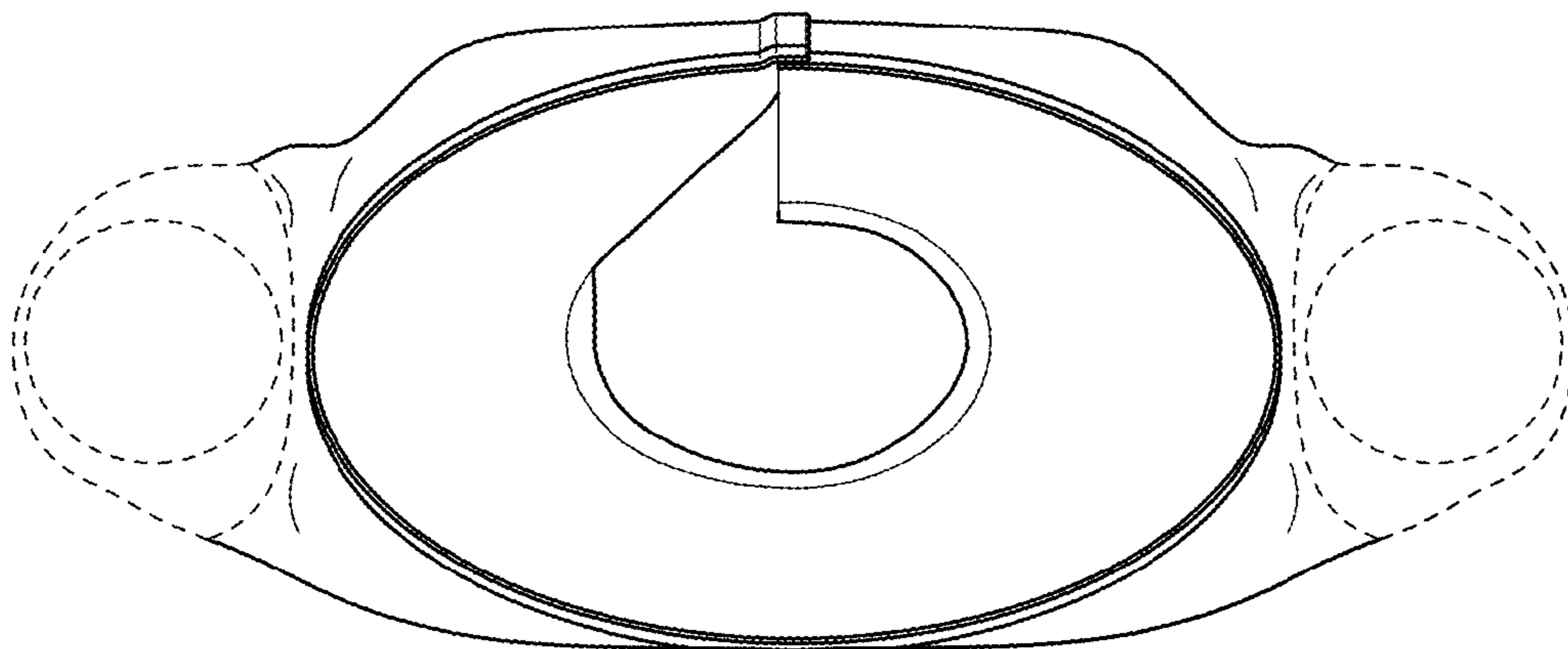


FIG. 87

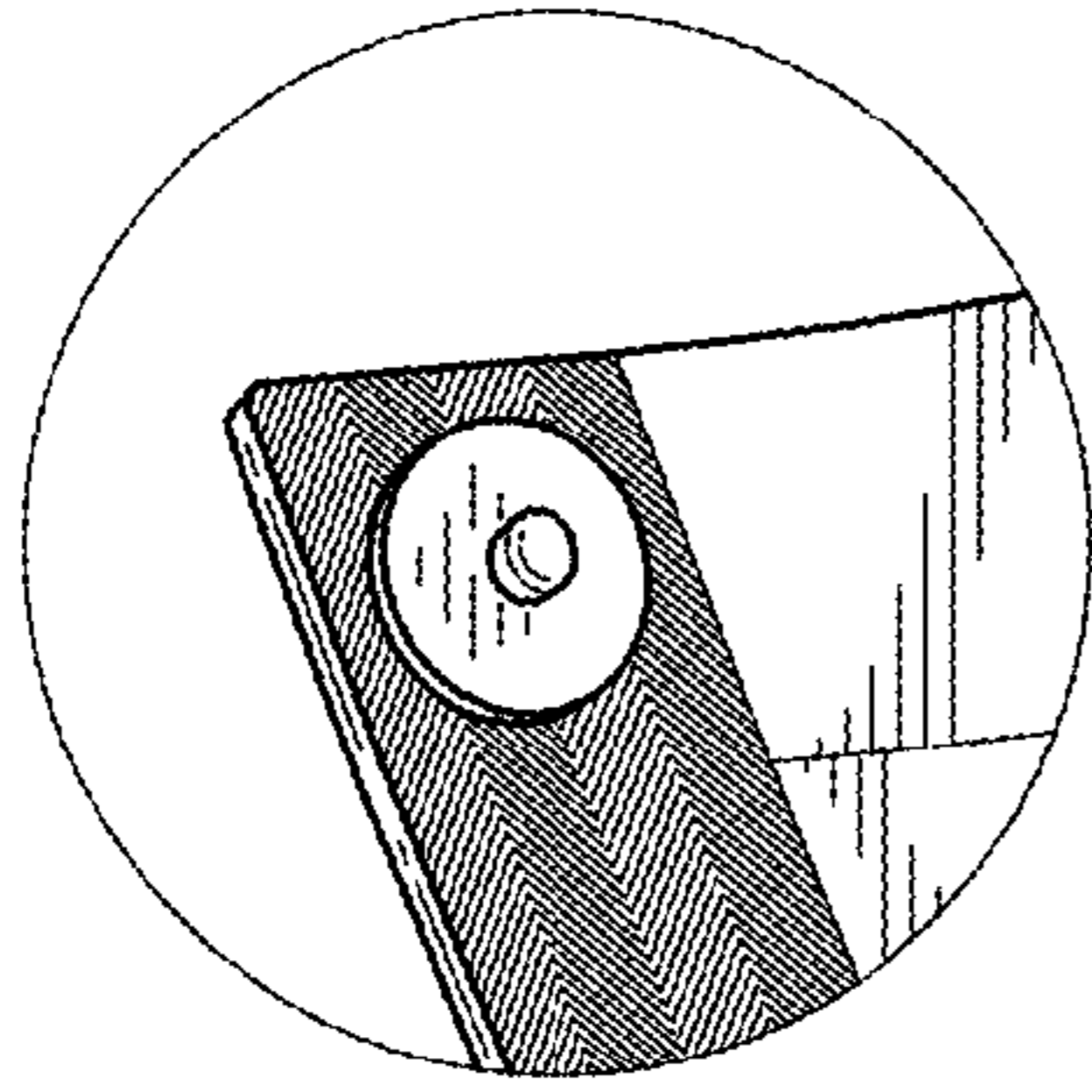


FIG. 88

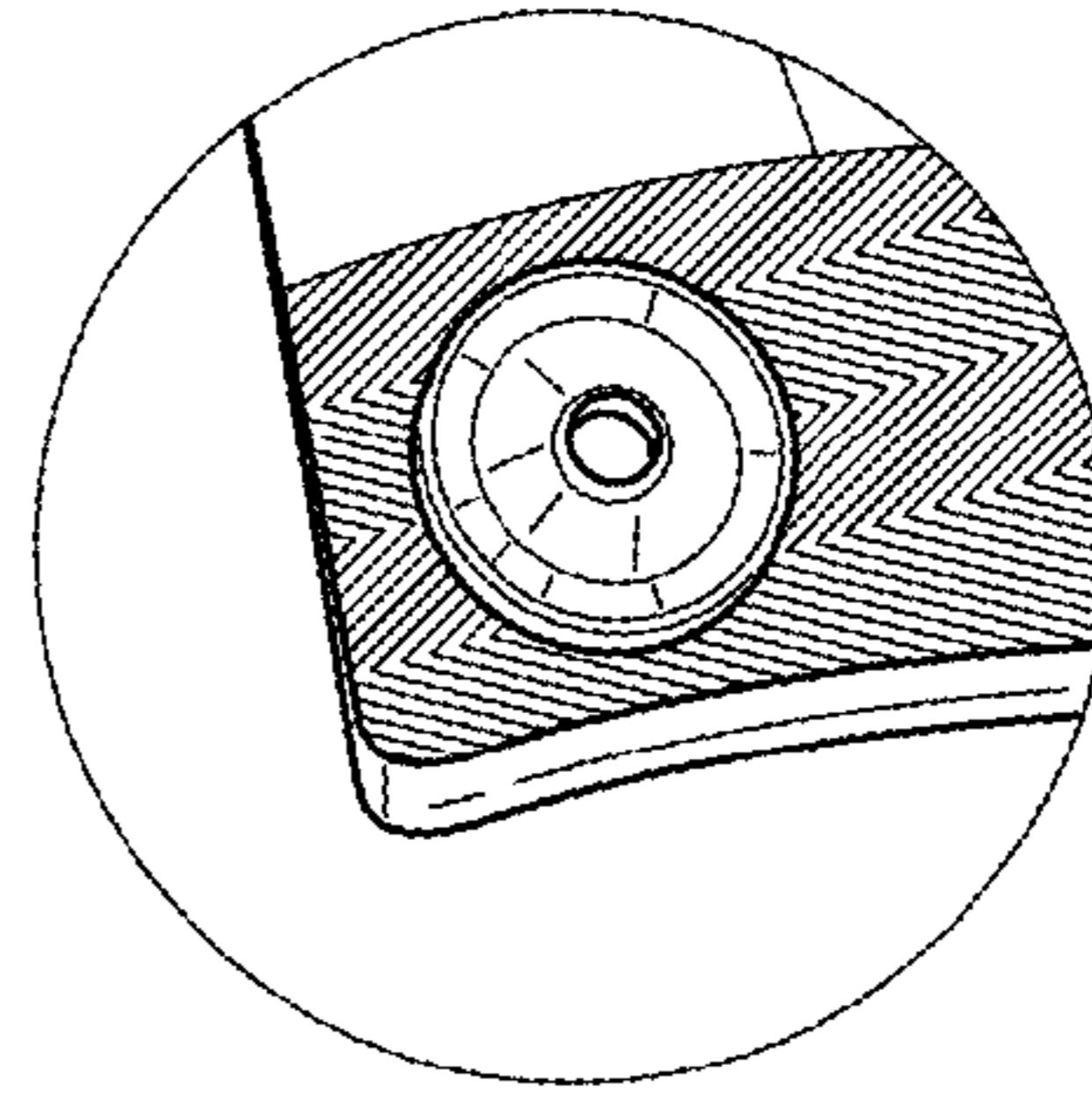


FIG. 89

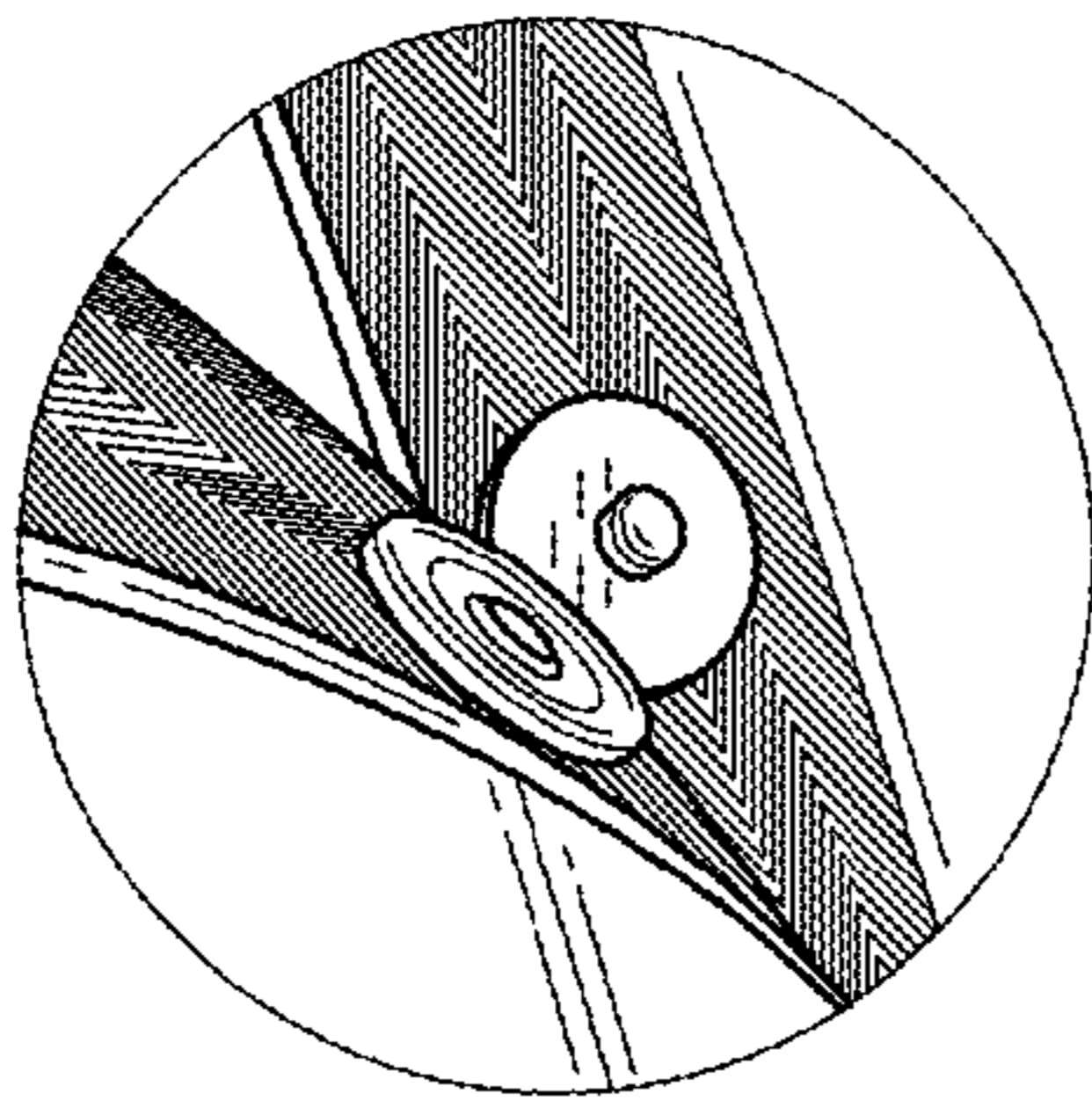


FIG. 90

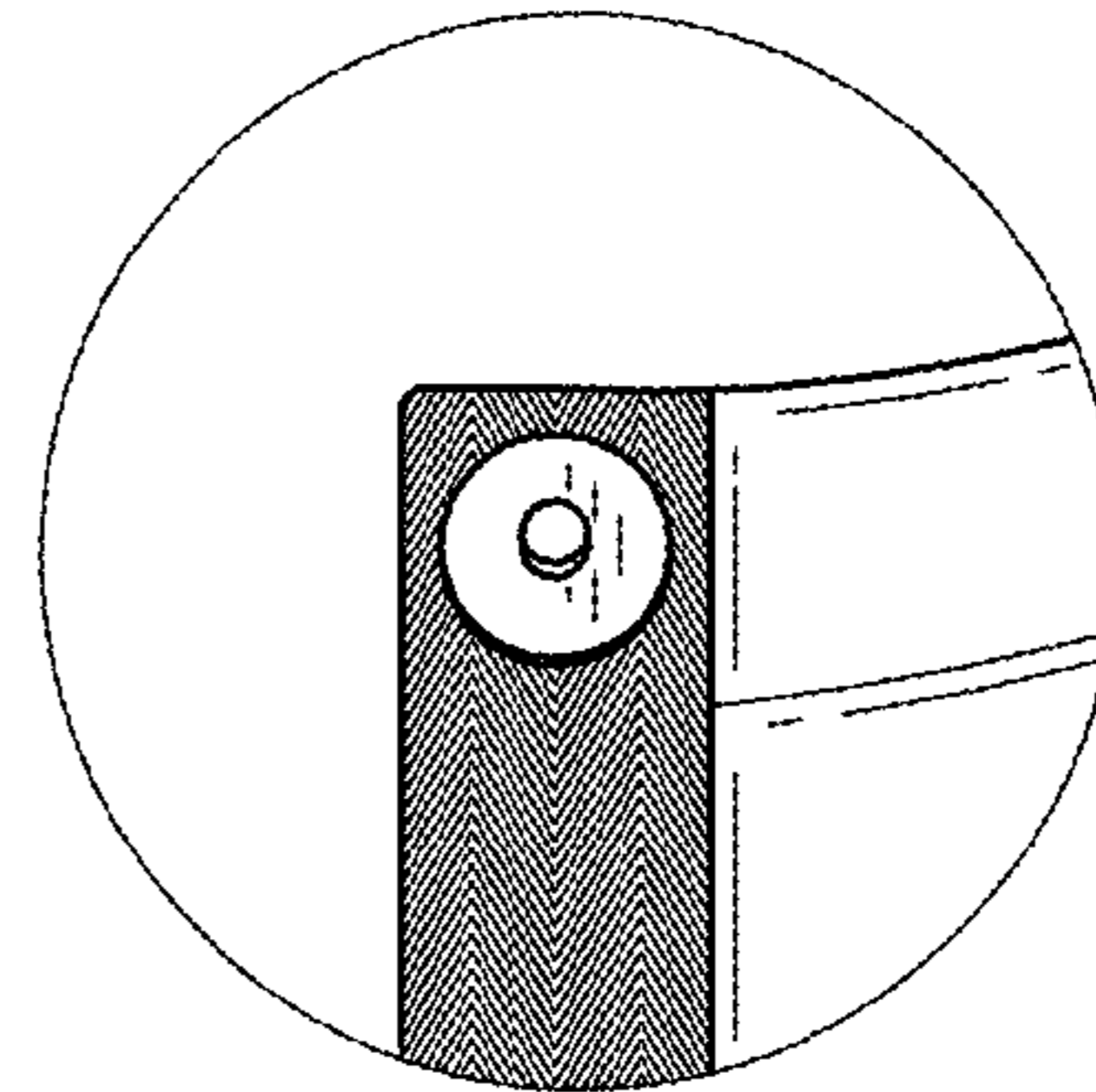


FIG. 91

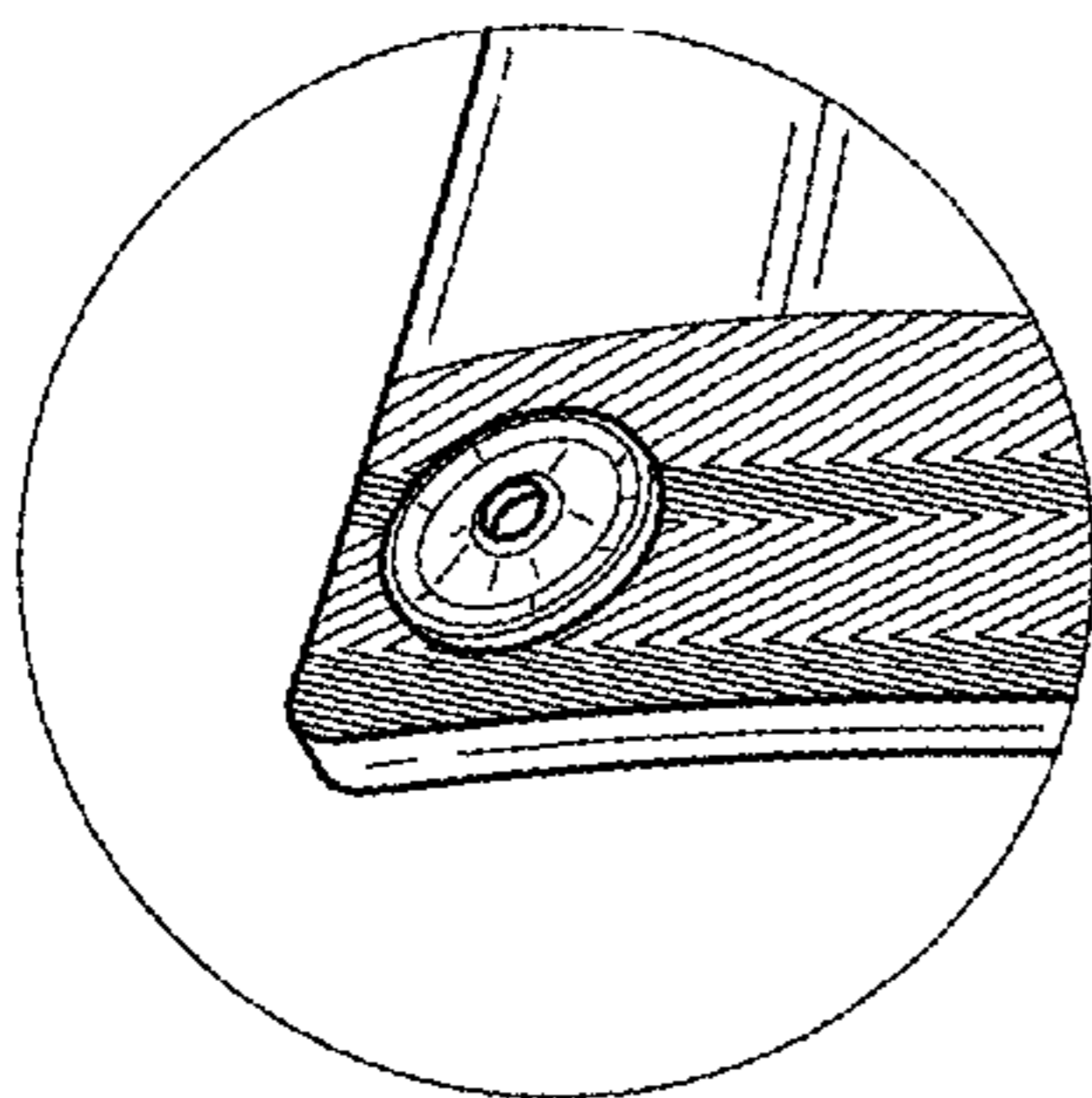


FIG. 92

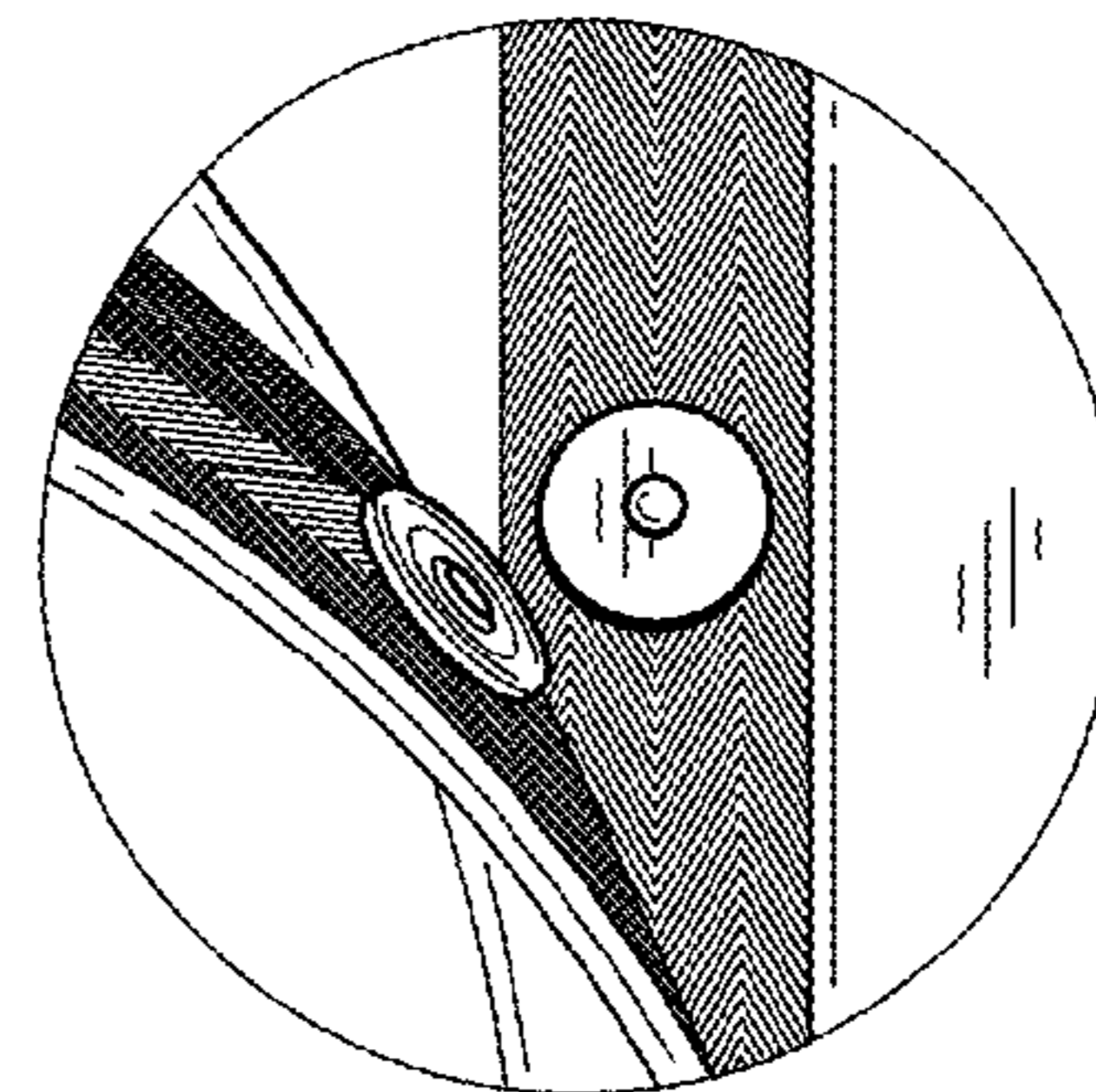


FIG. 93

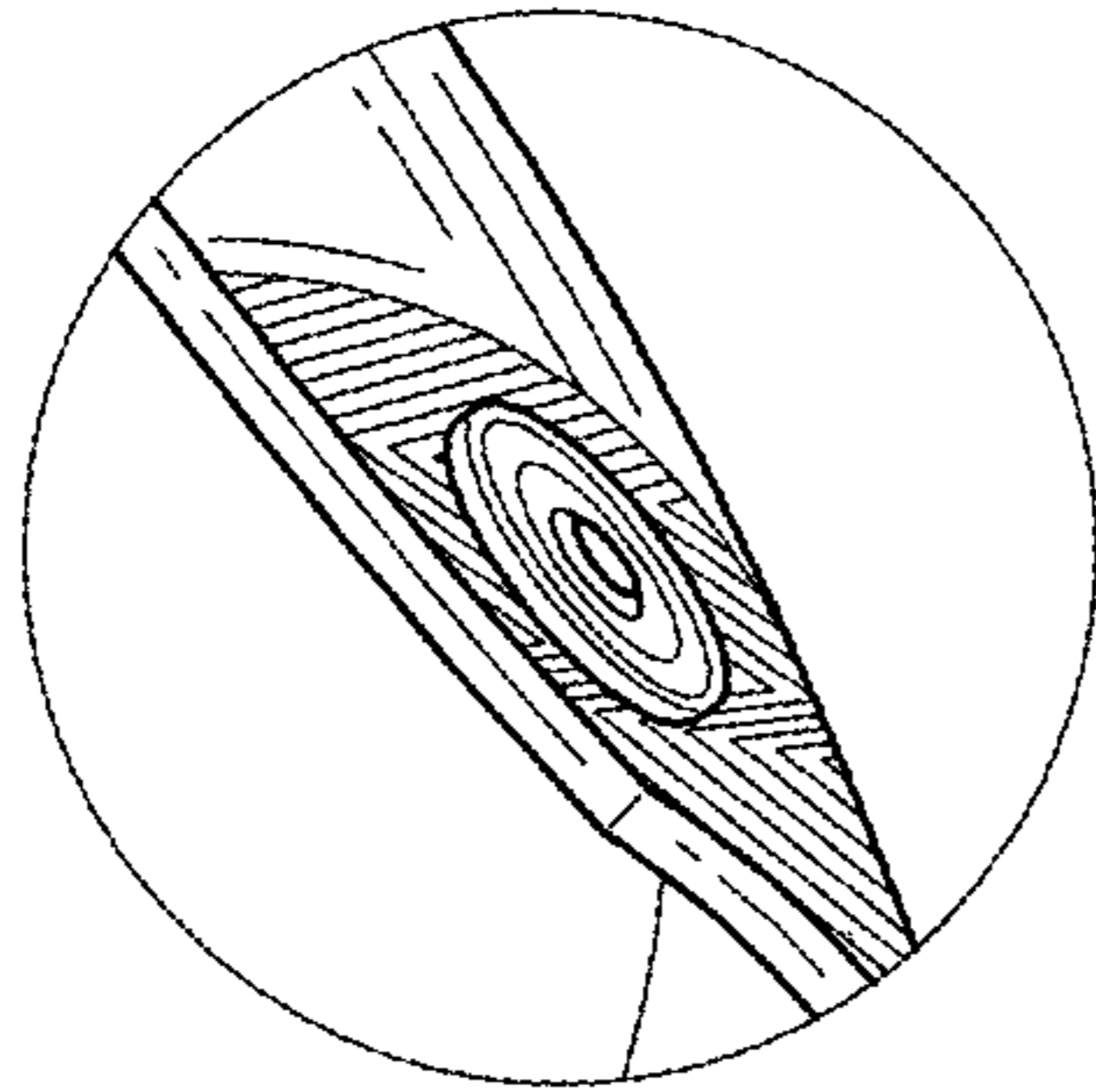


FIG. 94

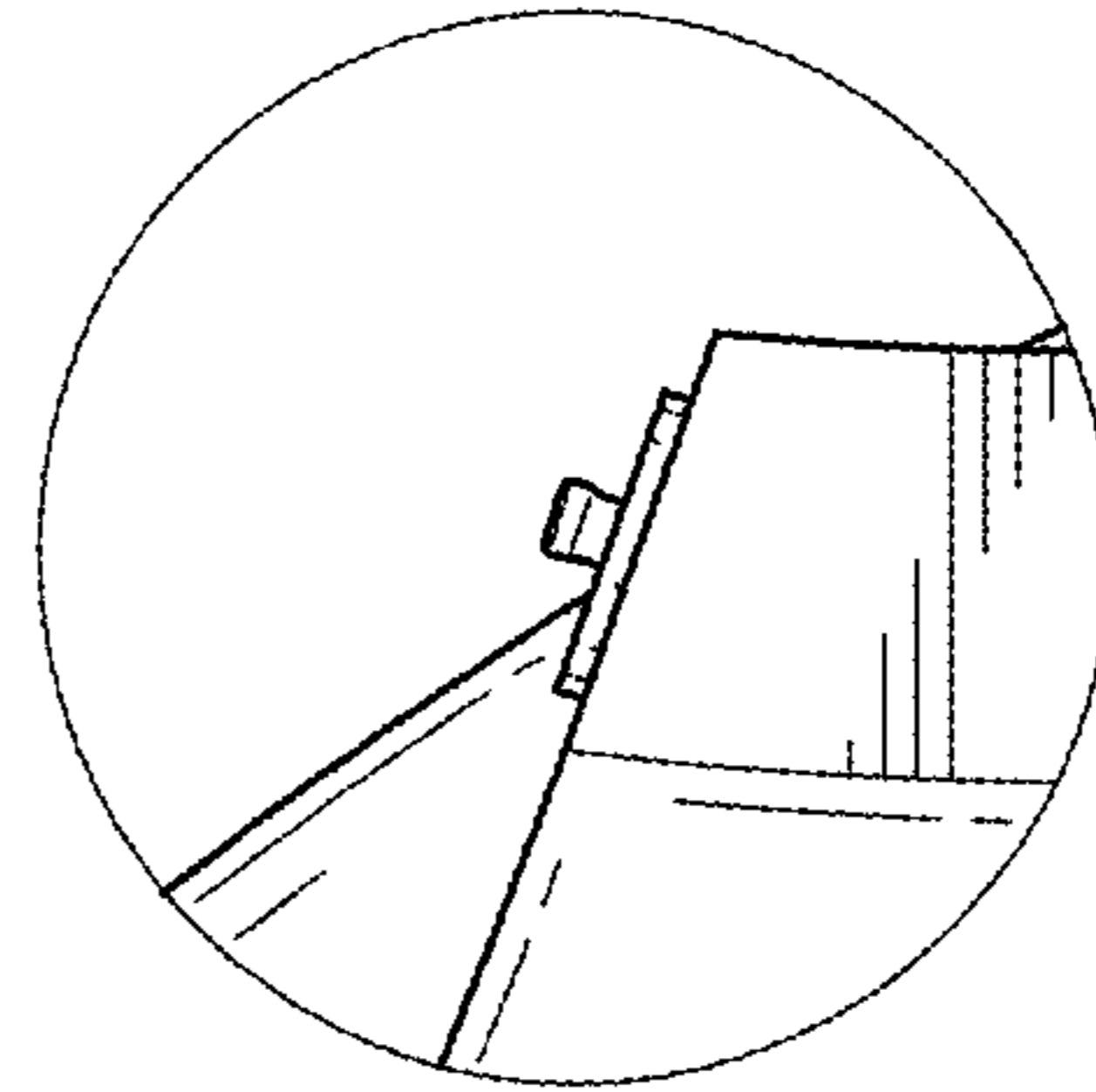


FIG. 95

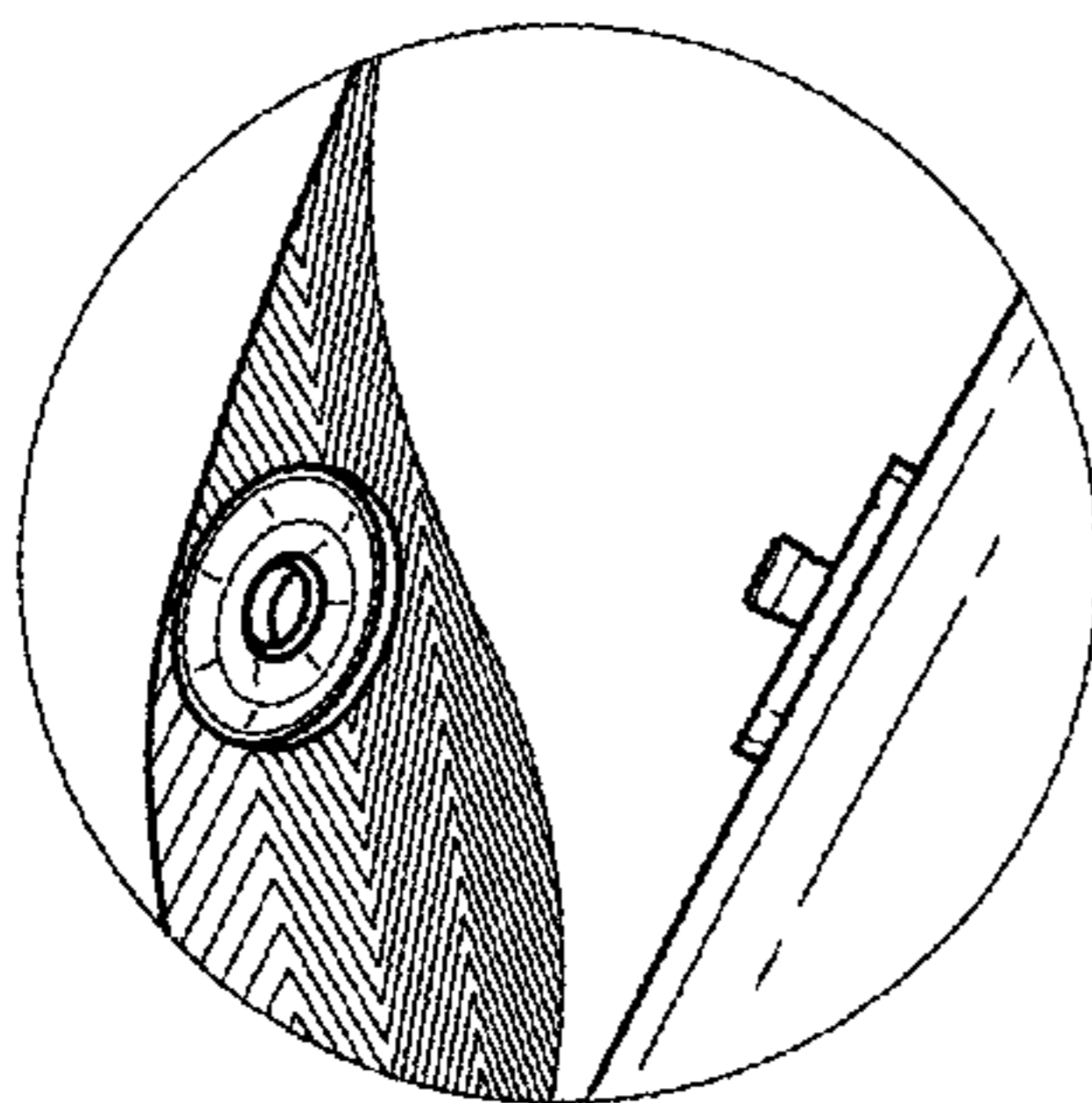


FIG. 96

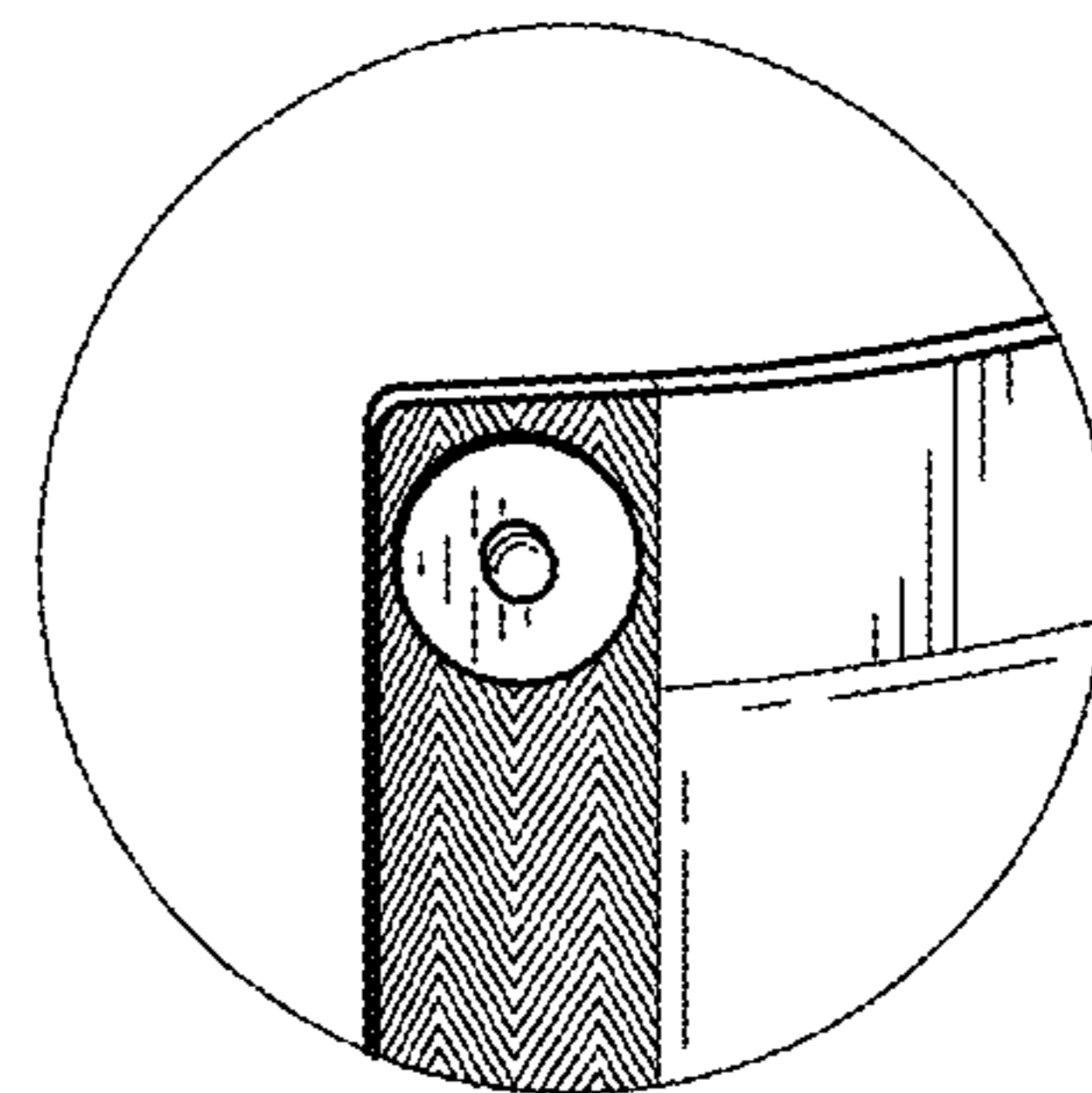


FIG. 97

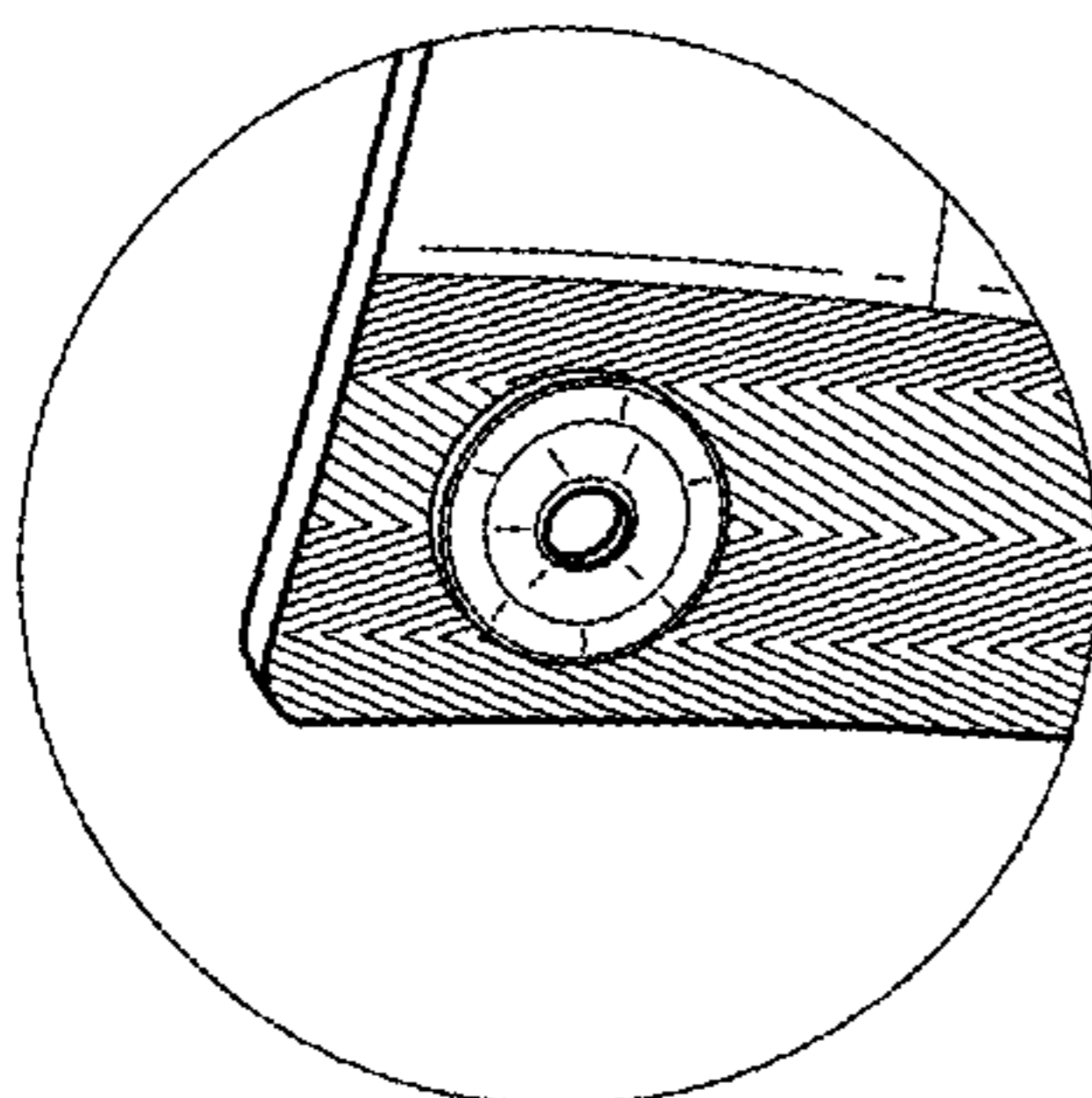


FIG. 98

