



US00D731140S

(12) **United States Design Patent**
Zejnnullahu

(10) **Patent No.:** **US D731,140 S**
(45) **Date of Patent:** **** Jun. 2, 2015**

(54) **TRANSPORT RACK FOR A SHAFT**

(56) **References Cited**

(71) Applicant: **SANDVIK INTELLECTUAL PROPERTY AB**, Sandviken (SE)

U.S. PATENT DOCUMENTS

(72) Inventor: **Rrezart Zejnnullahu**, Malmö (SE)

D289,457	S	*	4/1987	Andersson	D34/38
D433,206	S	*	10/2000	Sankaran	D34/28
D458,433	S	*	6/2002	Dee	D34/38
6,585,224	B1	*	7/2003	Schmidt	248/640
6,585,225	B1	*	7/2003	Lake	248/678
D548,924	S	*	8/2007	Frankenberg	D34/38
D567,473	S	*	4/2008	Hutter, III	D34/38
D628,355	S	*	11/2010	Spann et al.	D34/38
8,622,226	B2	*	1/2014	Colwell et al.	211/85.6
D706,013	S	*	5/2014	Kupferschlager	D34/38
2011/0132239	A1	*	6/2011	Poulsen et al.	108/55.1
2014/0151521	A1	*	6/2014	Marrow	248/346.03

(73) Assignee: **Sandvik Intellectual Property AB**, Sandviken (SE)

(**) Term: **14 Years**

* cited by examiner

(21) Appl. No.: **29/446,920**

(22) Filed: **Feb. 28, 2013**

Primary Examiner — Cynthia Ramirez

(30) **Foreign Application Priority Data**

(74) *Attorney, Agent, or Firm* — Corinne R. Gorski

Aug. 28, 2012 (EM) 001341267-0001
 Aug. 28, 2012 (EM) 001341267-0002
 Aug. 28, 2012 (EM) 001341267-0003

(57) **CLAIM**

The ornamental design for a transport rack for a shaft, as shown.

(51) **LOC (10) Cl.** **12-05**

DESCRIPTION

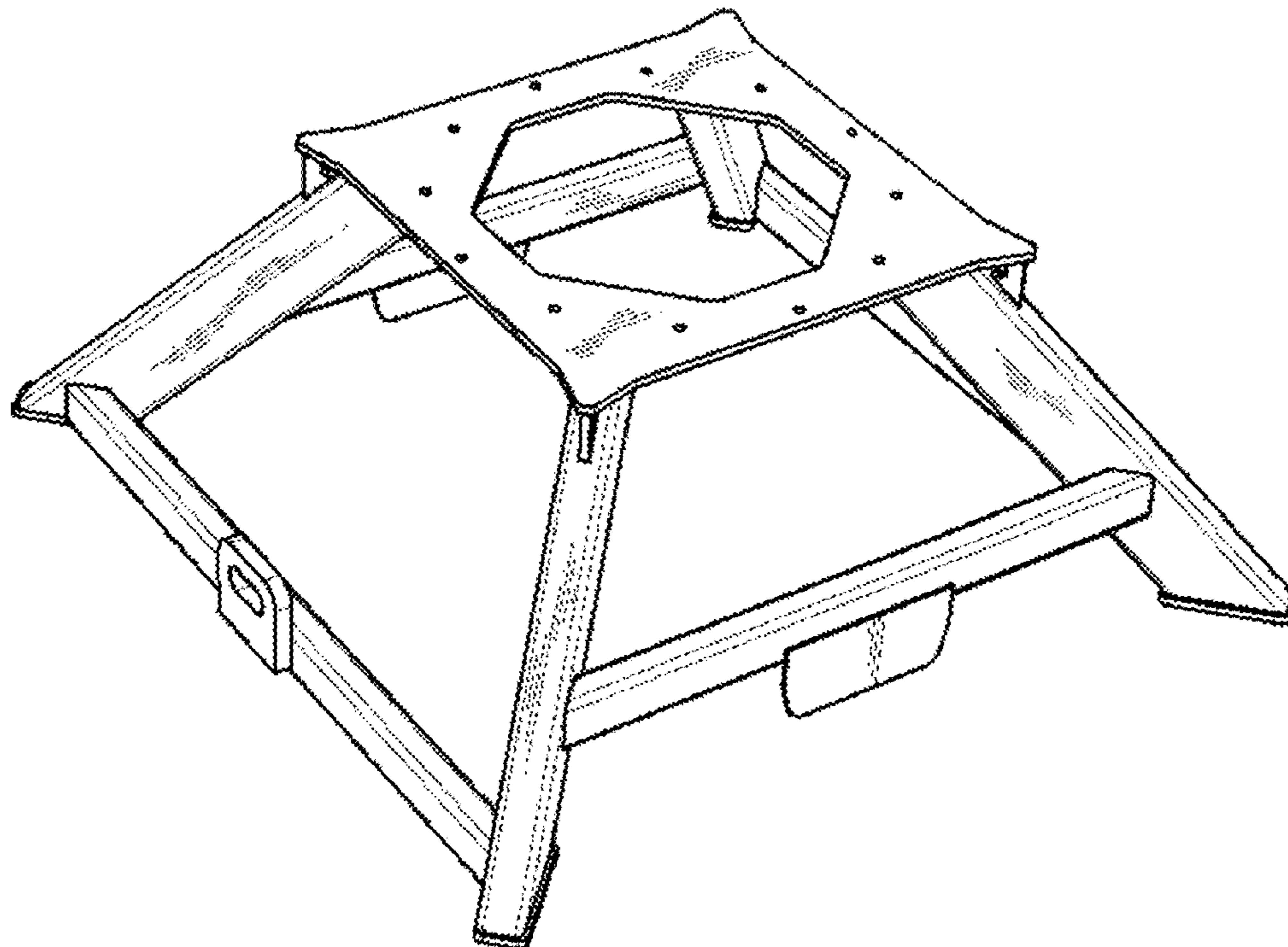
(52) **U.S. Cl.**
USPC **D34/28**

FIG. 1 is a perspective view of a transport rack for a shaft showing my new design;
 FIG. 2 is one side view thereof;
 FIG. 3 is a bottom view thereof;
 FIG. 4 is the opposite side view thereof;
 FIG. 5 is a top view thereof;
 FIG. 6 is another side view thereof; and,
 FIG. 7 is the opposite view of the other side.

(58) **Field of Classification Search**
 USPC D34/28, 38; 248/346.02, 346.01;
 108/55.11, 55.3, 55.5
 CPC B65D 2519/00323; B65D 2519/00293;
 B65D 2519/00333; B65D 2519/00273; B65D
 2519/00572; B65D 19/44

See application file for complete search history.

1 Claim, 4 Drawing Sheets



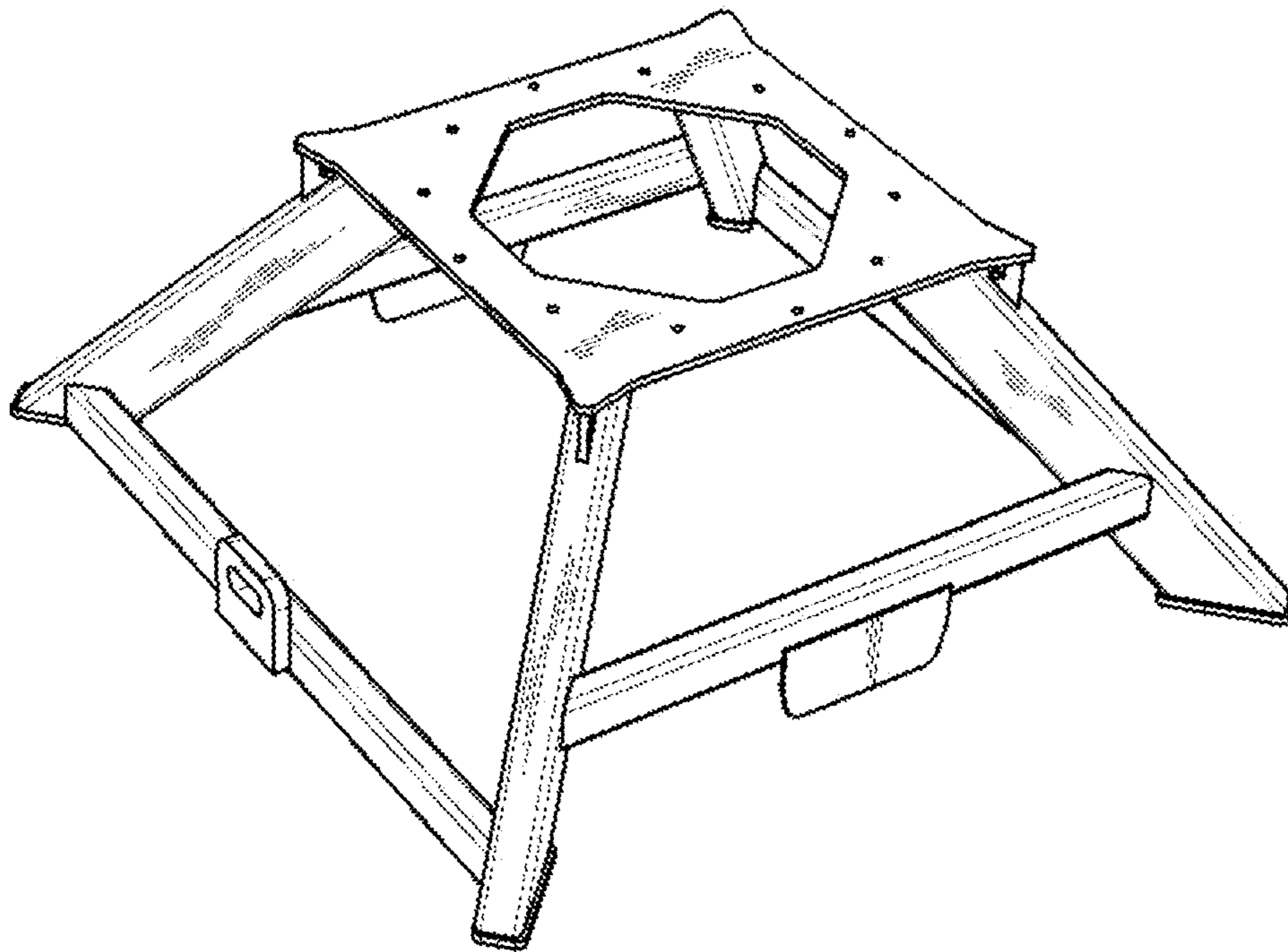


Fig 1

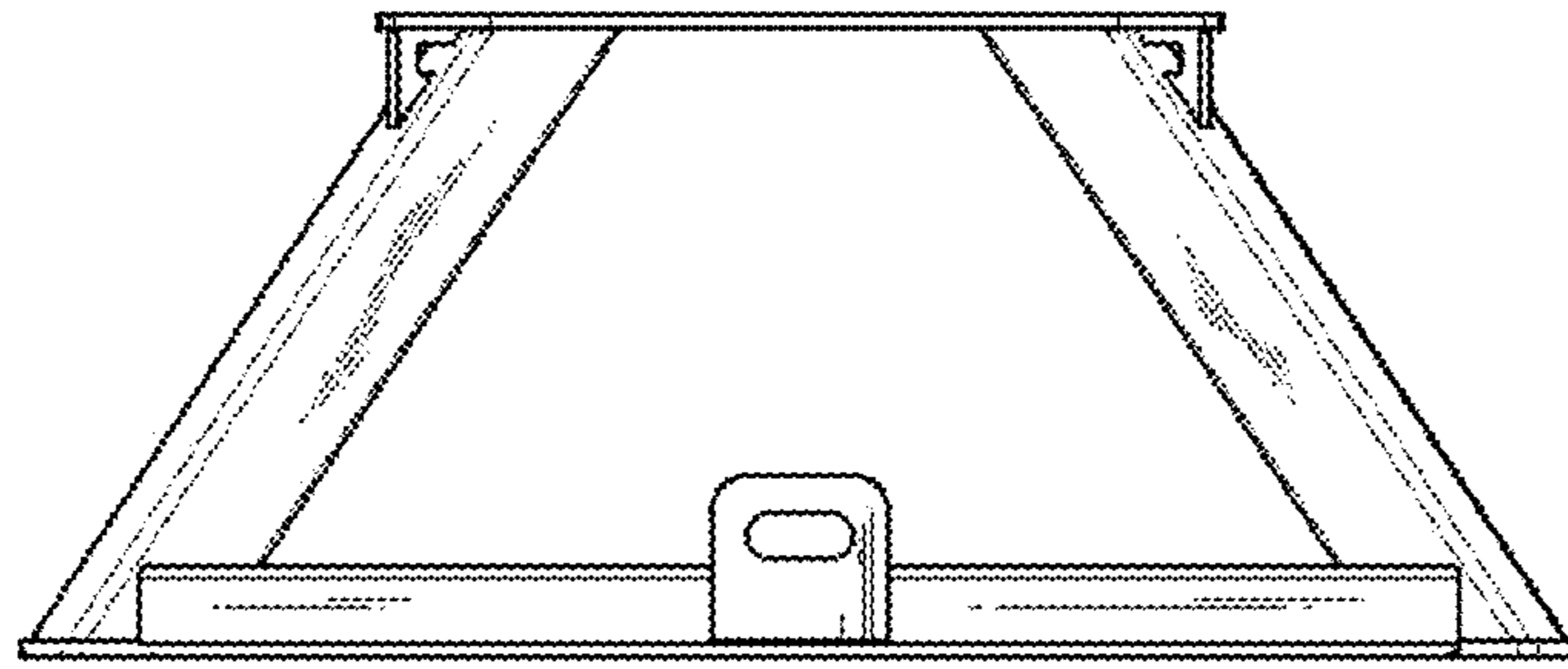


Fig. 2

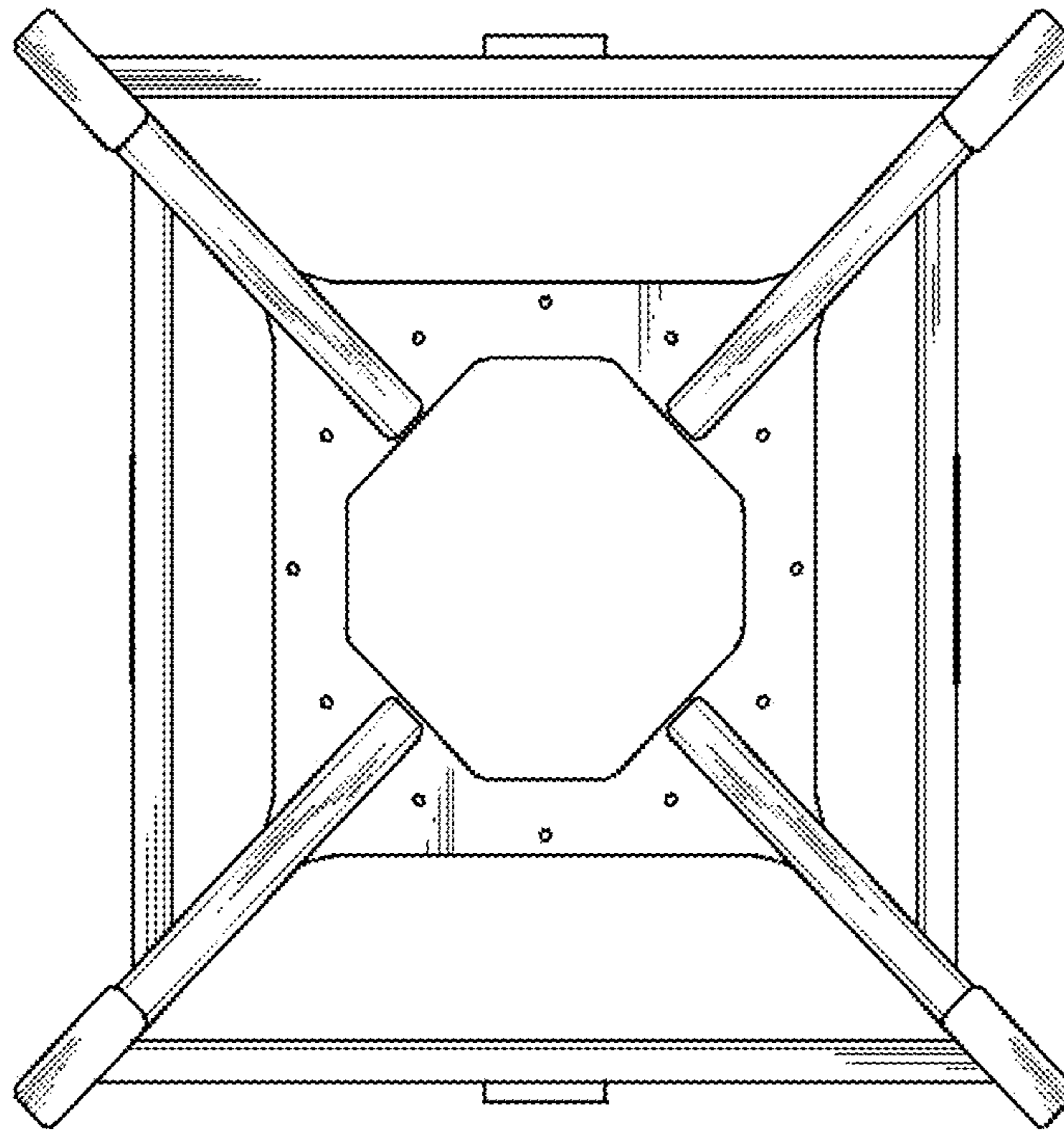


Fig. 3

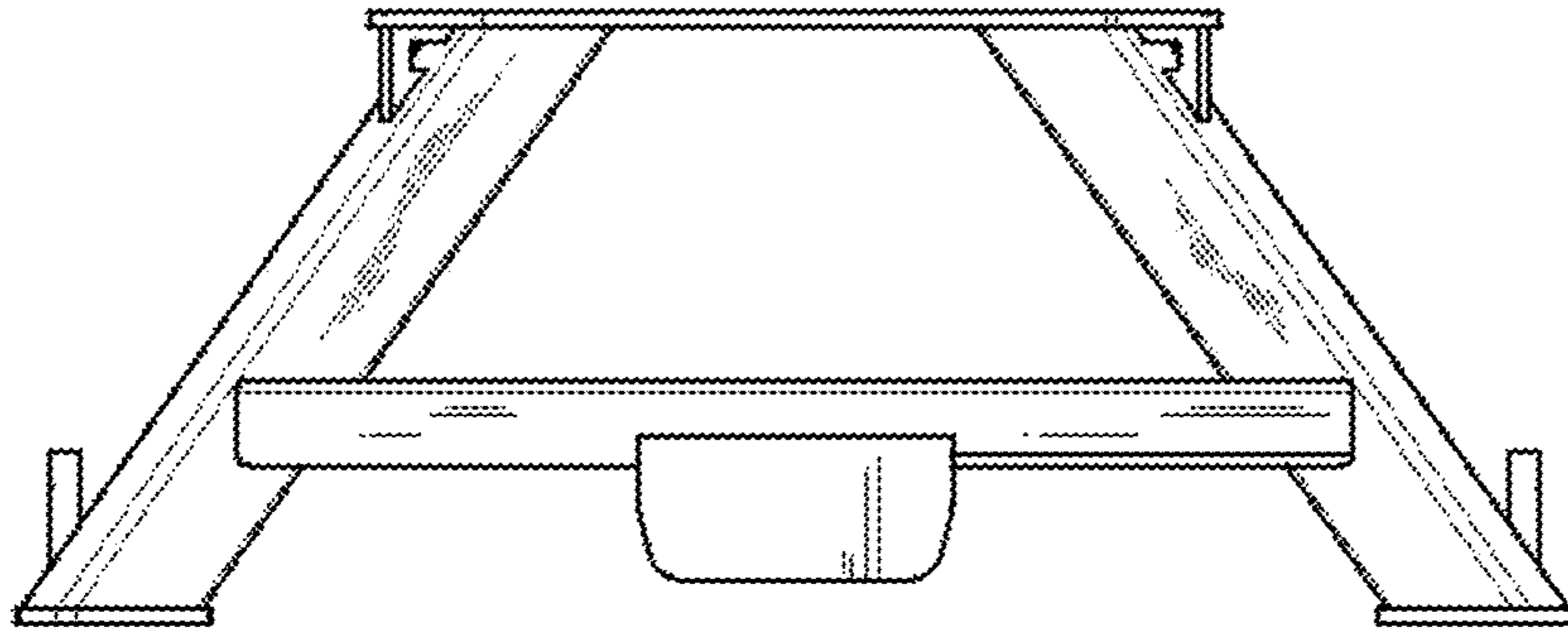


Fig. 4

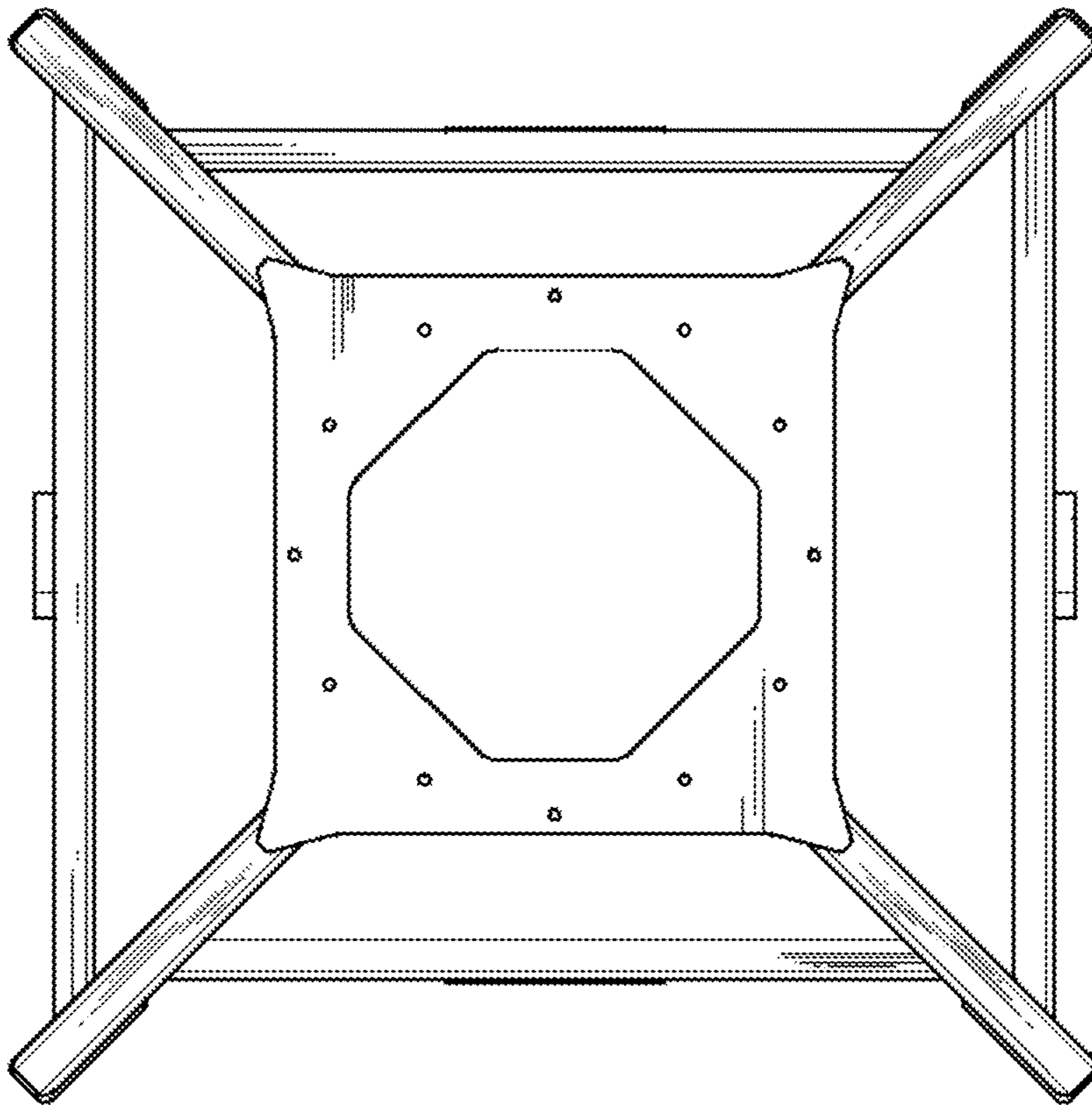


Fig. 5

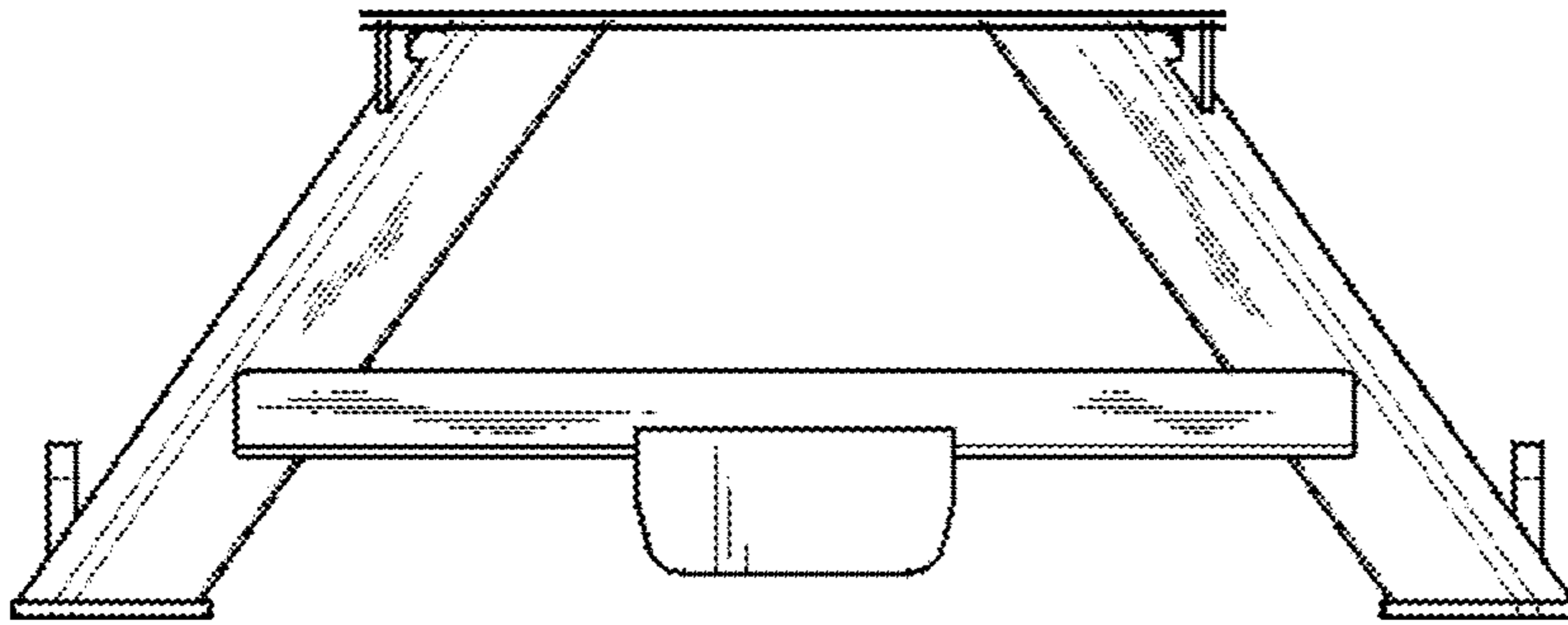


Fig. 6

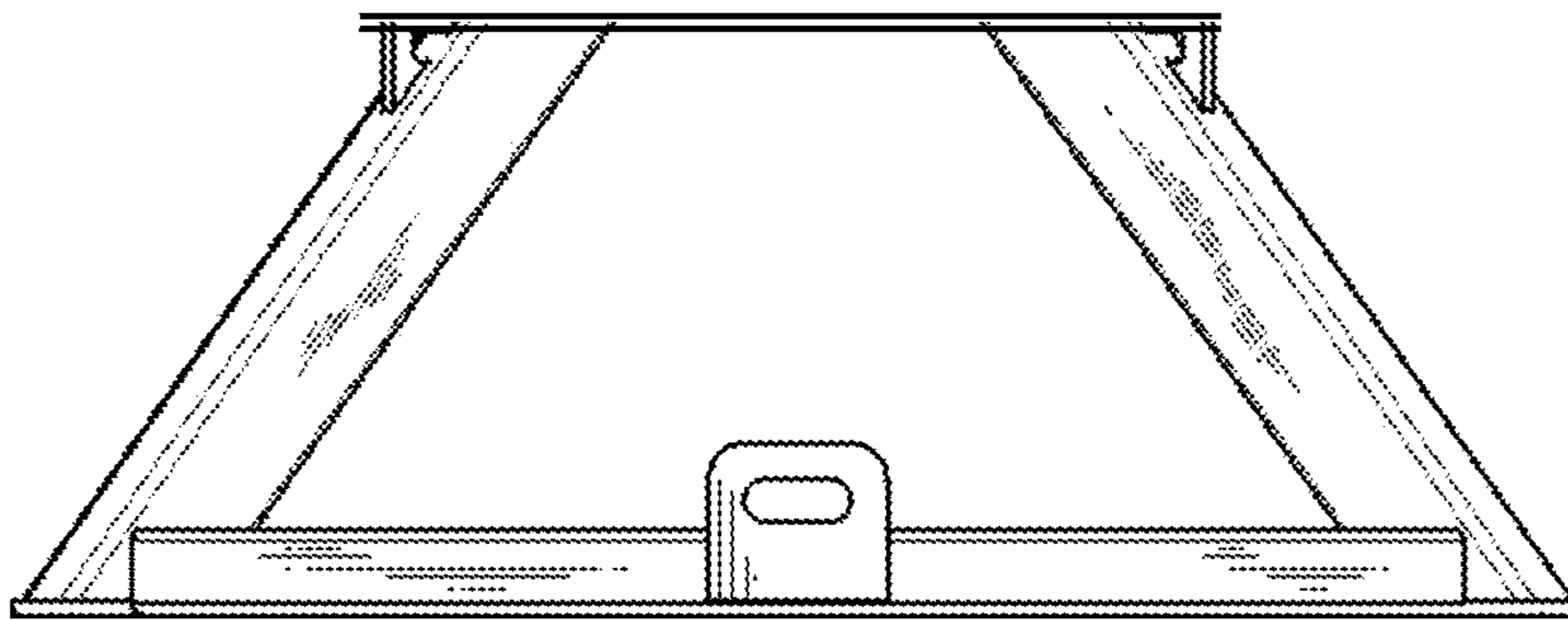


Fig. 7