



US00D731138S

(12) **United States Design Patent**  
**Colangelo**

(10) **Patent No.:** **US D731,138 S**  
(45) **Date of Patent:** **\*\* Jun. 2, 2015**

- (54) **DUSTER HANDLE SWIVEL**
- (71) Applicant: **Joseph M Colangelo**, Boca Raton, FL (US)
- (72) Inventor: **Joseph M Colangelo**, Boca Raton, FL (US)
- (\*\*) Term: **14 Years**
- (21) Appl. No.: **29/509,951**
- (22) Filed: **Nov. 24, 2014**

**Related U.S. Application Data**

- (63) Continuation of application No. 29/462,843, filed on Aug. 8, 2013, now Pat. No. Des. 720,903.
- (51) **LOC (10) Cl.** ..... **04-01**
- (52) **U.S. Cl.**  
USPC ..... **D32/40**
- (58) **Field of Classification Search**  
USPC ..... D32/40-45; 15/244.1-244.4, 208, 15/209.1, 226, 234, 229.1, 229.3, 229.6, 15/144.1  
See application file for complete search history.

(56) **References Cited**

**U.S. PATENT DOCUMENTS**

- D603,115 S \* 10/2009 McNeil et al. .... D32/40
- 7,966,688 B2 \* 6/2011 Tsutanaga et al. .... 15/229.3
- 8,276,236 B2 \* 10/2012 Goodman et al. .... 15/210.1

*Primary Examiner* — Robin V Webster

(74) *Attorney, Agent, or Firm* — Smith Risley Tempel Santos LLC; Gregory Scott Smith

(57) **CLAIM**

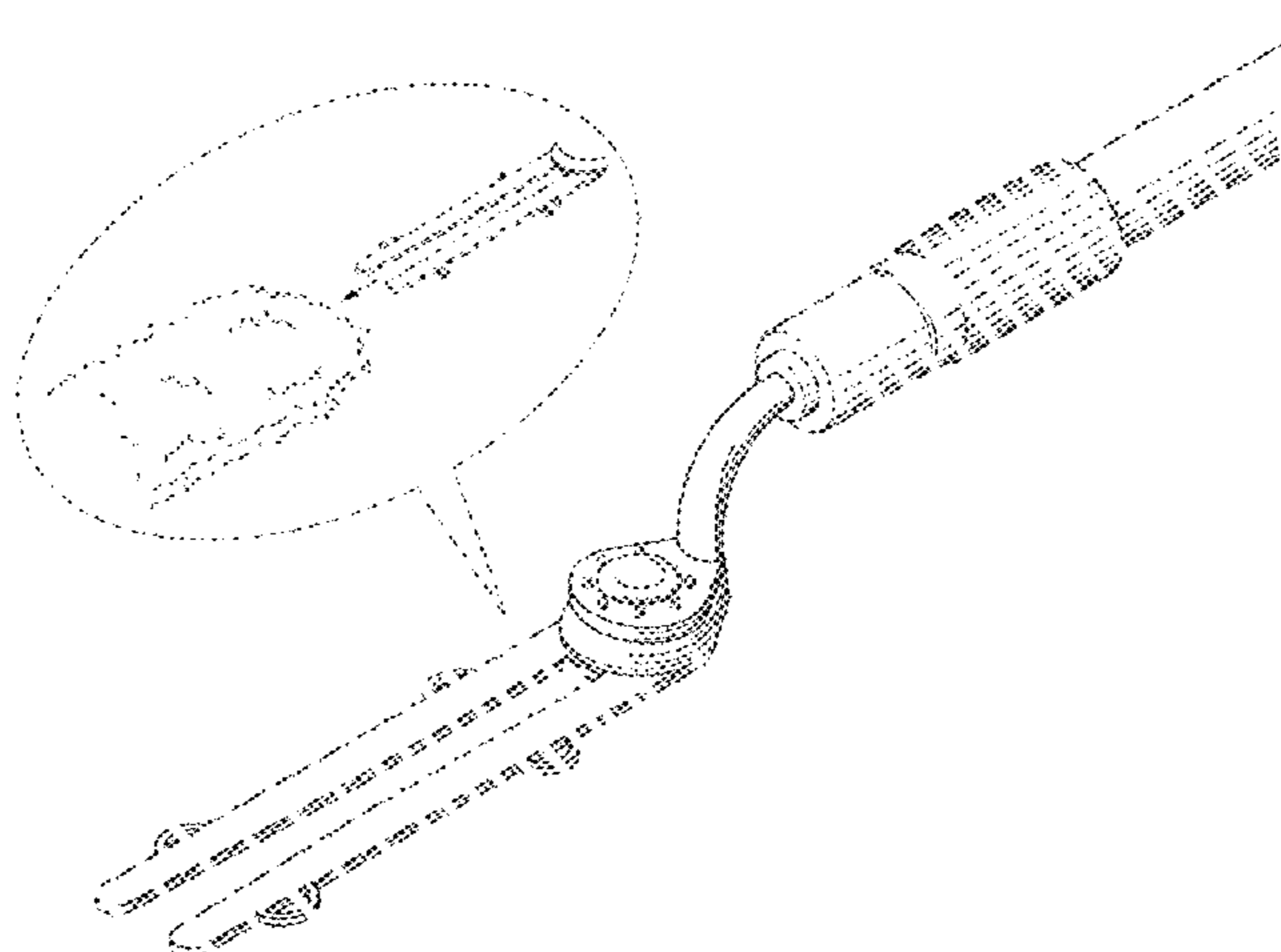
The ornamental design for a duster handle swivel, as shown and described.

**DESCRIPTION**

FIG. 1 is a perspective view of the front portion of a duster handle swivel in a retracted state;  
 FIG. 2 is a perspective view of the rear portion of the duster handle swivel in a retracted state;  
 FIG. 3 is a perspective view of the front portion of the duster handle swivel illustrated in FIG. 1 and FIG. 2 shown in an extended state;

FIG. 4 is a perspective view of the rear portion of the duster handle swivel illustrated in FIG. 1 and FIG. 2 shown in an extended state;  
 FIG. 5 is side elevation view of the front portion of the duster handle swivel illustrated in FIG. 1 and FIG. 2;  
 FIG. 6 is a side elevation view of the rear portion of the duster handle swivel illustrated in FIG. 1 and FIG. 2;  
 FIG. 7 is a top view of the front portion of the duster handle swivel illustrated in FIG. 1 and FIG. 2;  
 FIG. 8 is a top view of the rear portion of the duster handle swivel illustrated in FIG. 1 and FIG. 2.  
 FIG. 9 is a bottom view of the front portion of the duster handle swivel illustrated in FIG. 1 and FIG. 2;  
 FIG. 10 is a bottom view of the rear portion of the duster handle swivel illustrated in FIG. 1 and FIG. 2;  
 FIG. 11 is a front elevation view of the duster handle swivel illustrated in FIG. 1 and FIG. 2;  
 FIG. 12 is a rear elevation view of the duster handle swivel illustrated in FIG. 1 and FIG. 2;  
 FIG. 13 is a close up elevation view of a push button in a released state for the duster handle swivel illustrated in FIG. 1 and FIG. 2;  
 FIG. 14 is a close up elevation view of a push button in a depressed state for the duster handle swivel illustrated in FIG. 1 and FIG. 2;  
 FIG. 15 is a top plan view of the front portion of the duster handle swivel illustrated in FIG. 1 and FIG. 2 in a clockwise rotated state;  
 FIG. 16 is a top plan view of the front portion of the duster handle swivel illustrated in FIG. 1 and FIG. 2 in a counter clockwise rotated state; and,  
 FIG. 17 is a side elevation view of the front portion of the duster handle swivel illustrated in FIG. 1 and FIG. 2 fully rotated 180 degrees from the position illustrated in FIG. 1.  
 The callout illustrated in FIG. 1 is to show the environment for the duster handle swivel and forms no part of the claim. The claimed design is shown fragmented in FIGS. 6, 9, 10, 13 and 14 to indicate non-specified length. The claimed design is shown as broken into sections in figure pairs FIG. 1 and FIG. 2, FIG. 3 and FIG. 4, FIG. 5 and FIG. 6, FIG. 7 and FIG. 9, and FIG. 8 and FIG. 10 for convenience of illustration. The broken lines form no part of the invention.

**1 Claim, 12 Drawing Sheets**



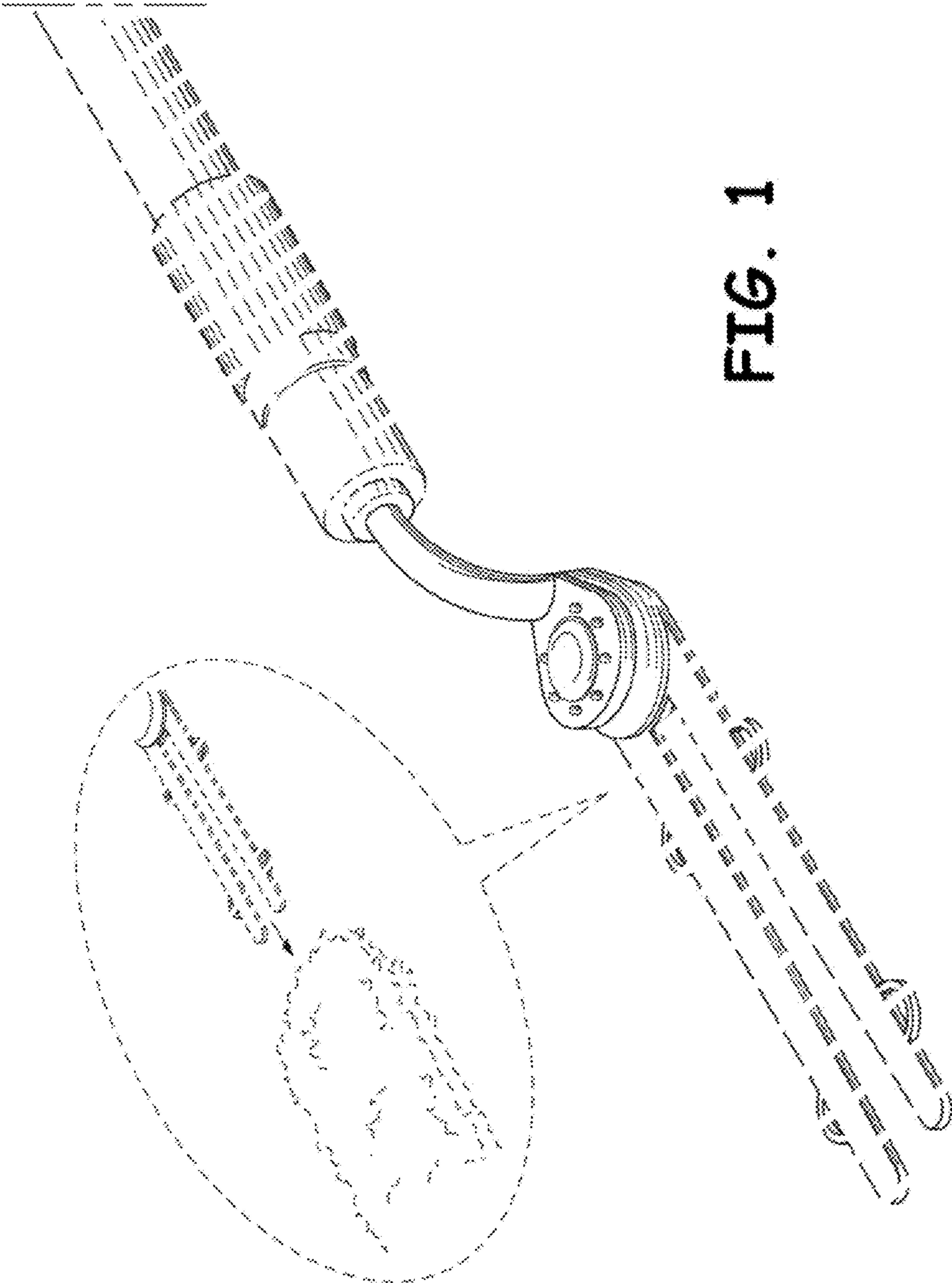


FIG. 1

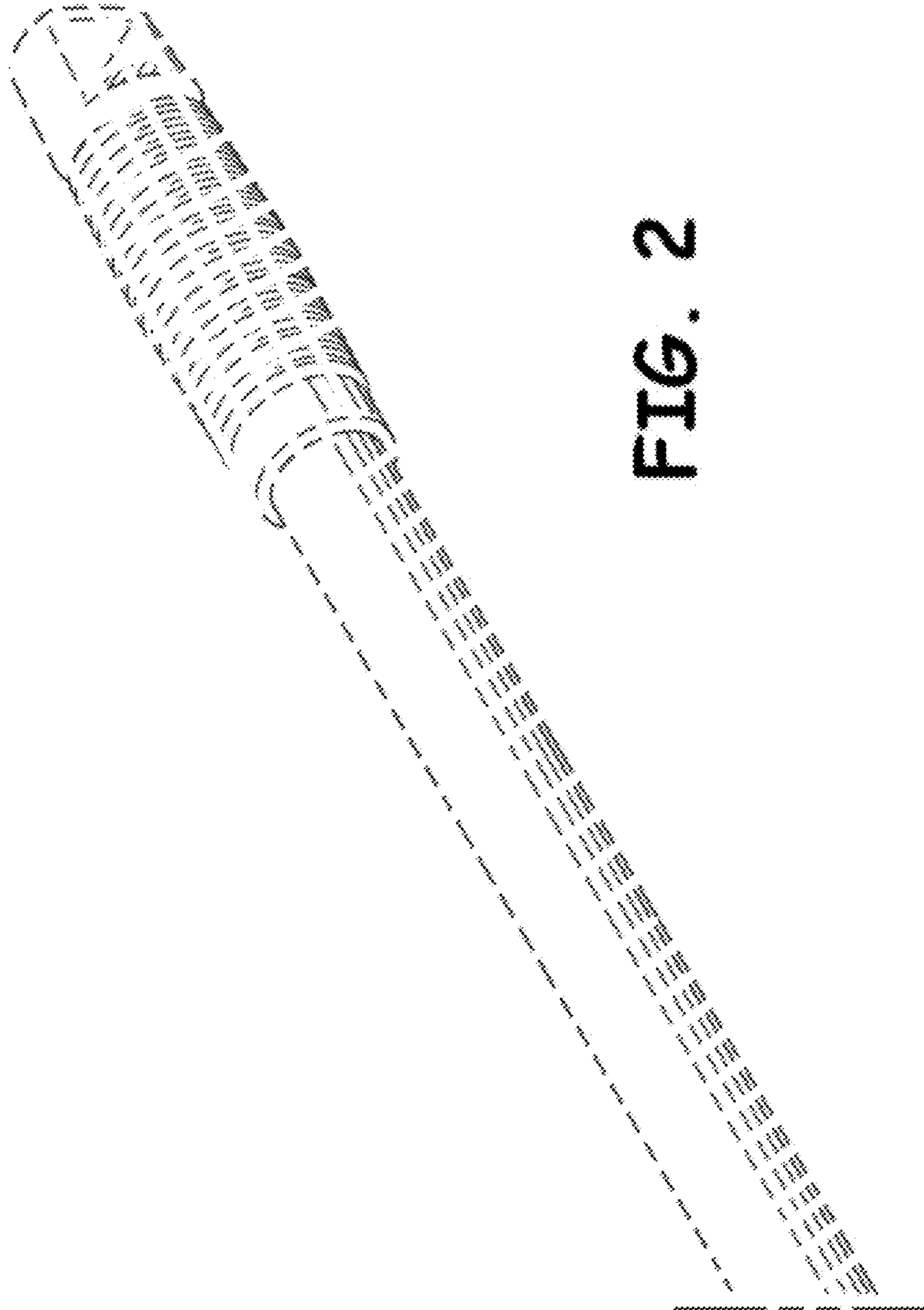


FIG. 2

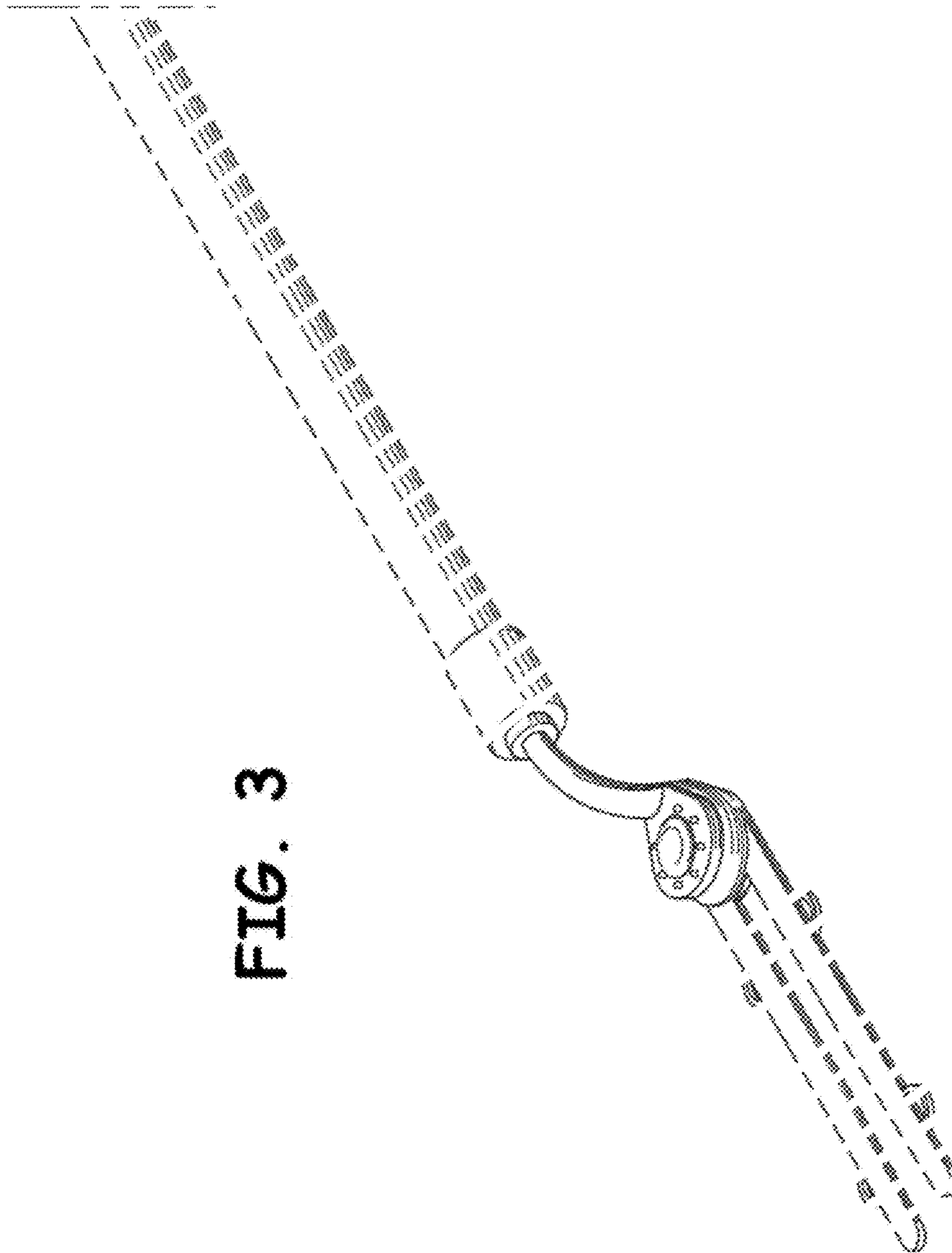


FIG. 3

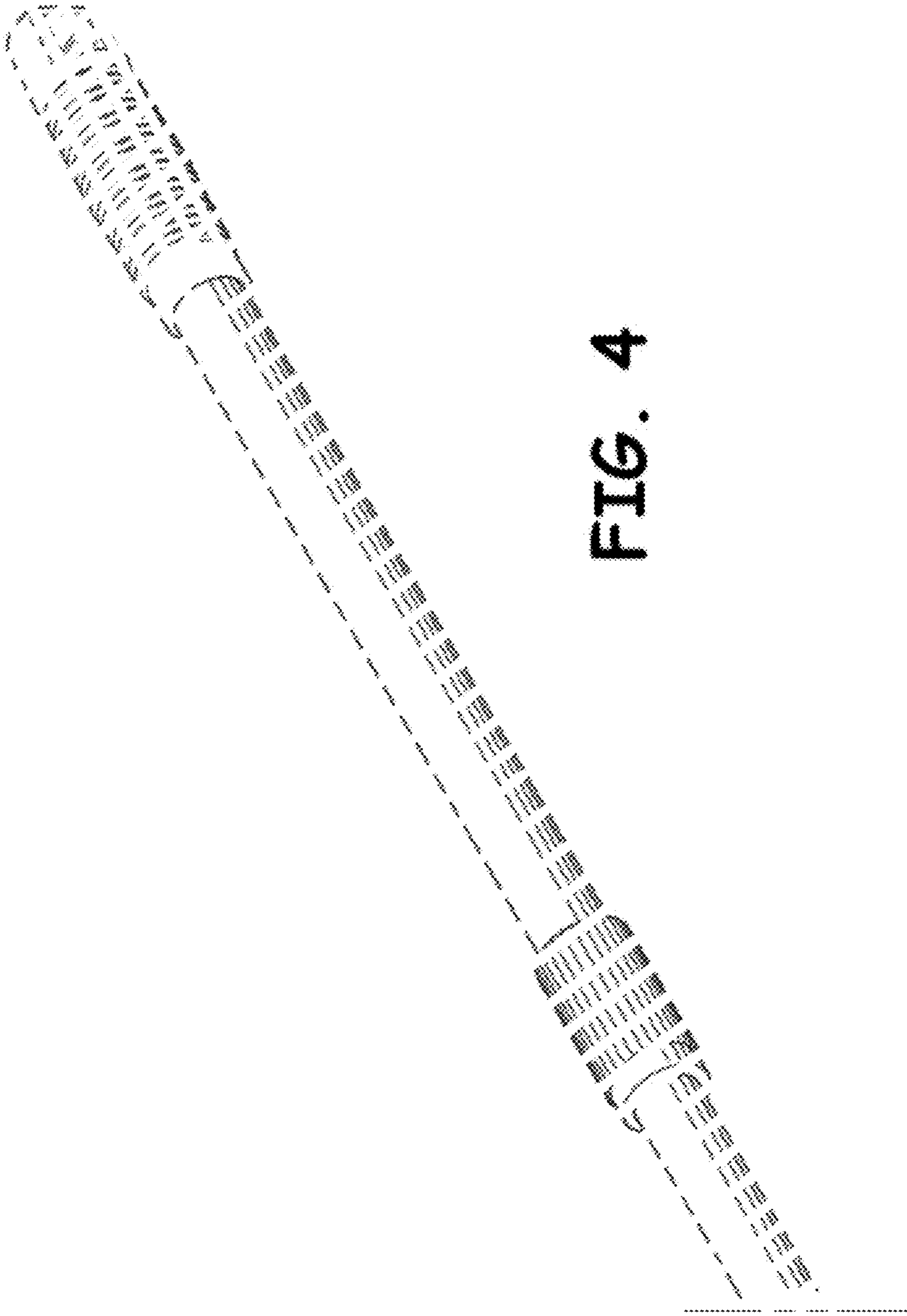


FIG. 4

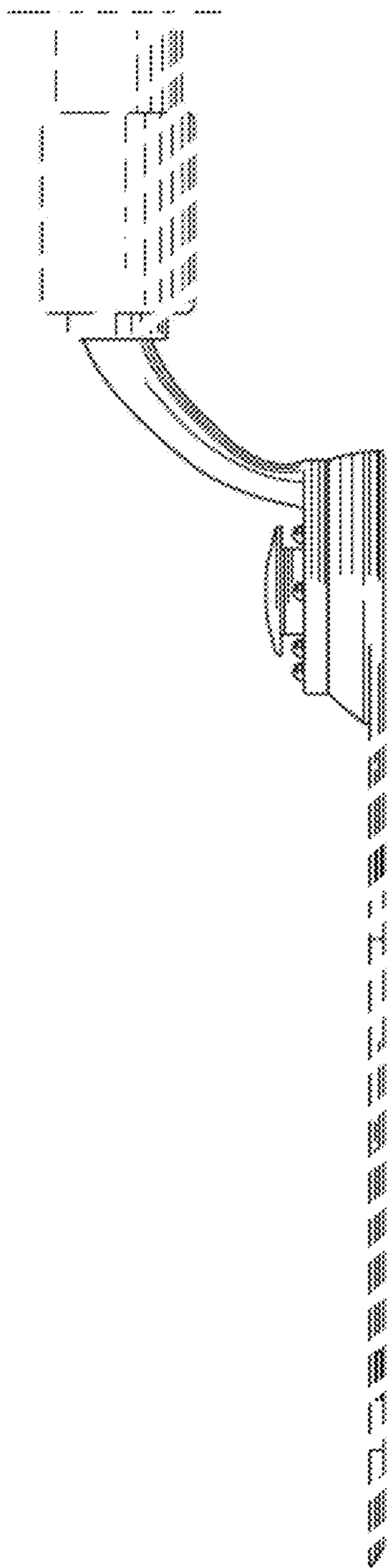


FIG. 5

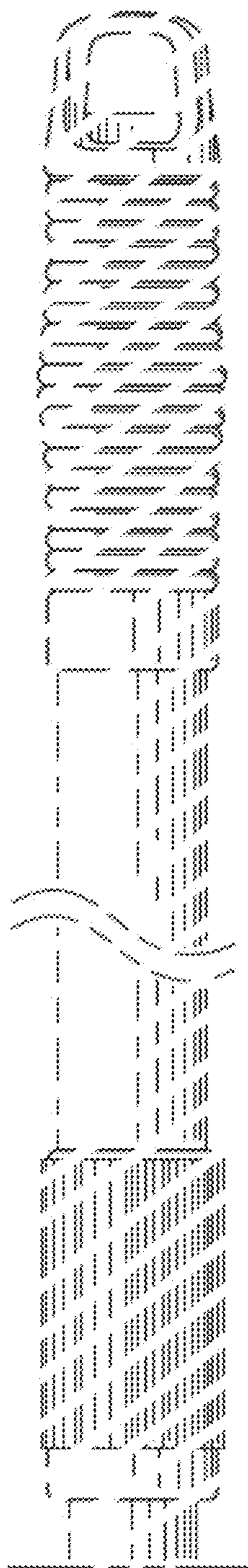


FIG. 6

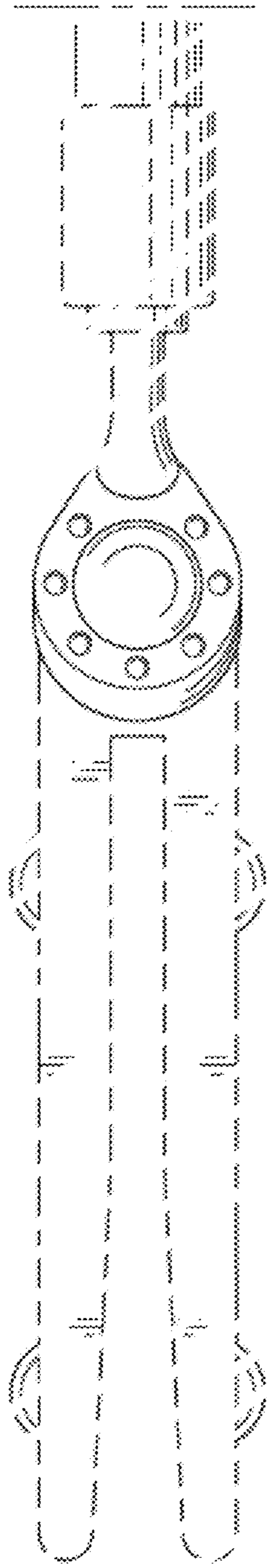


FIG. 7

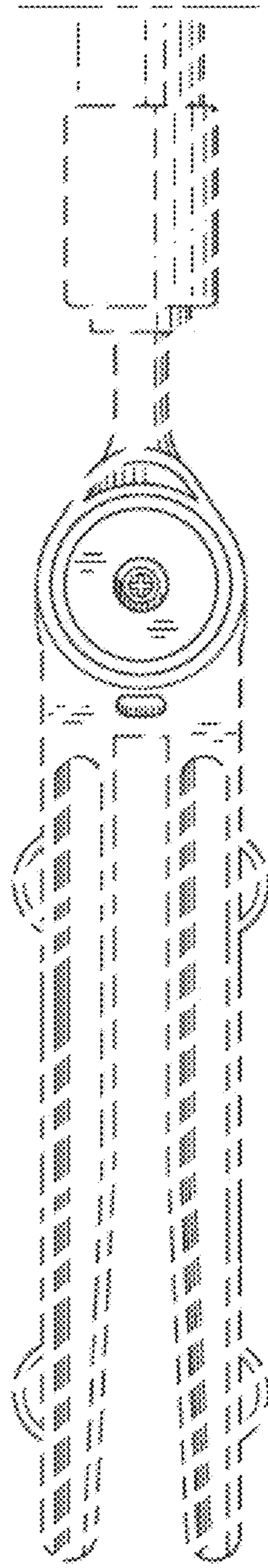


FIG. 8



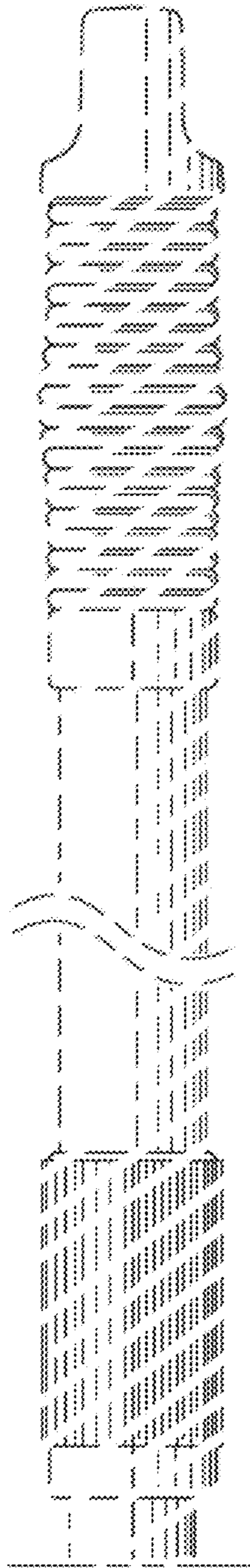


FIG. 9

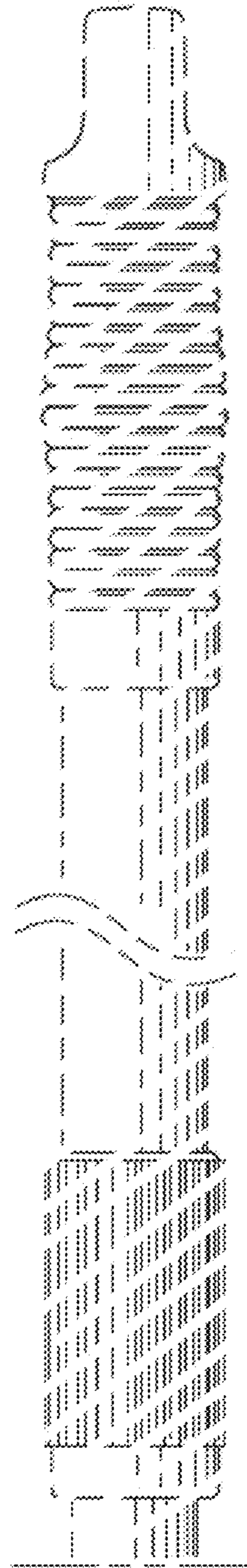


FIG. 10

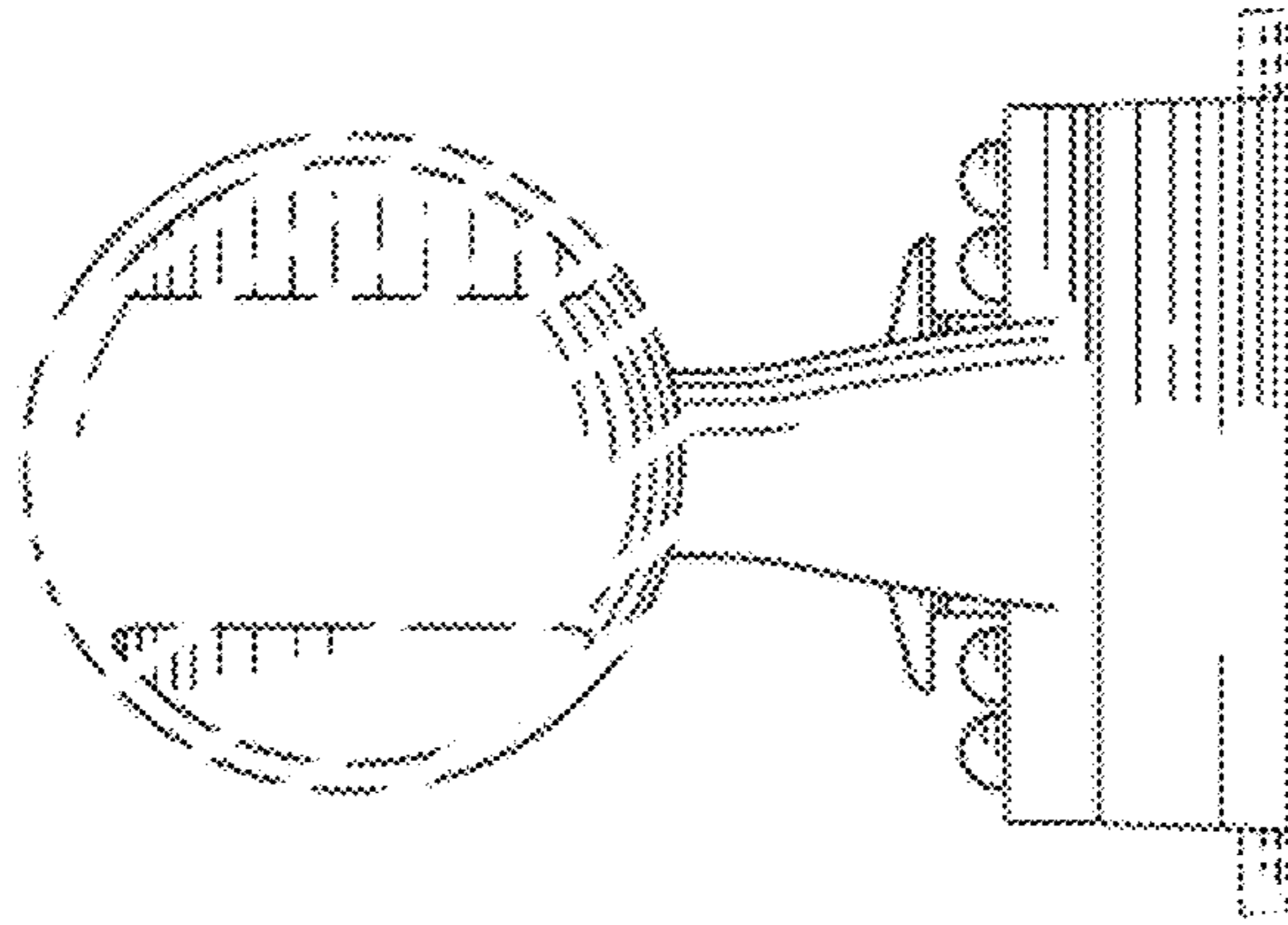


FIG. 11

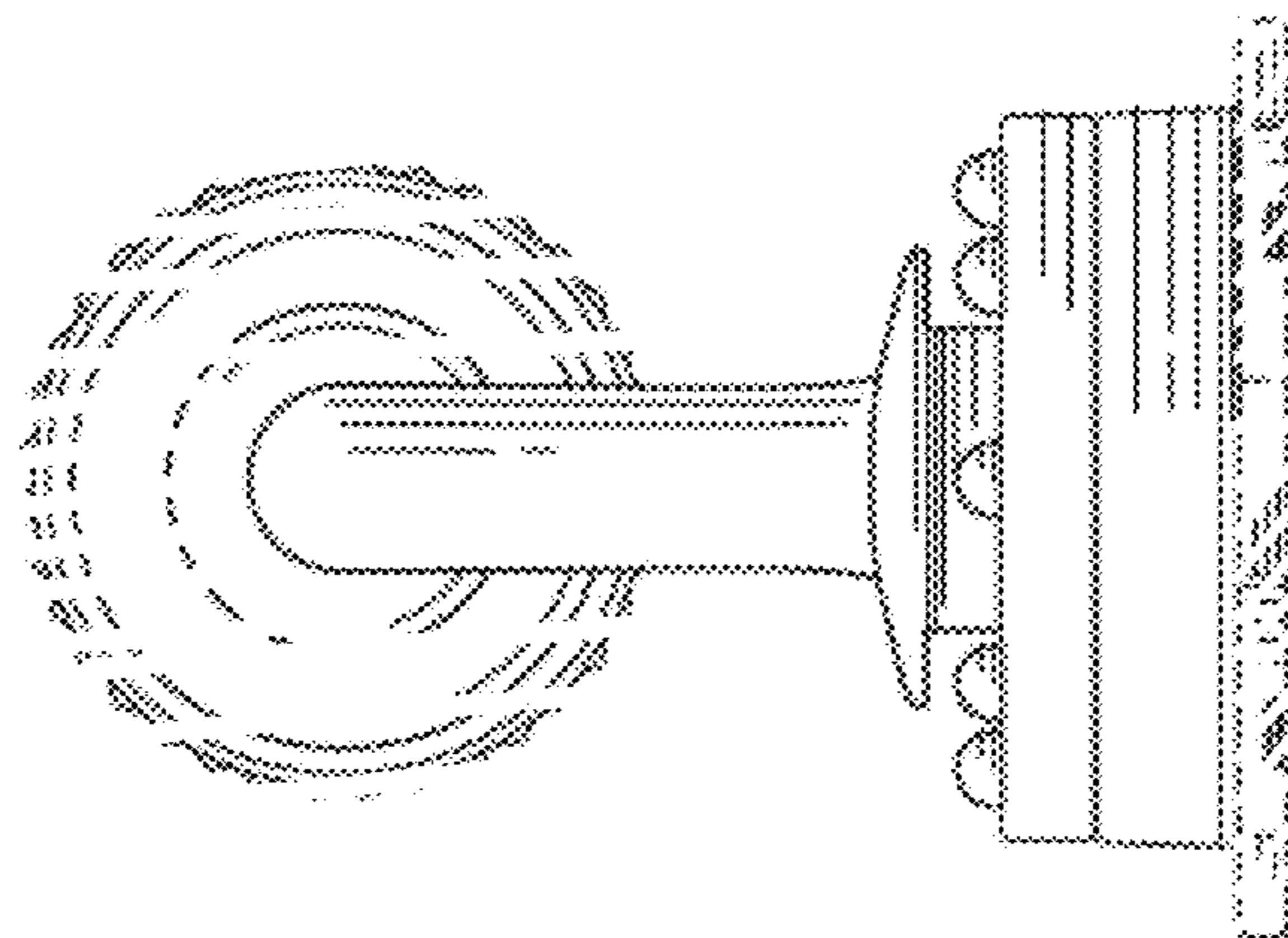
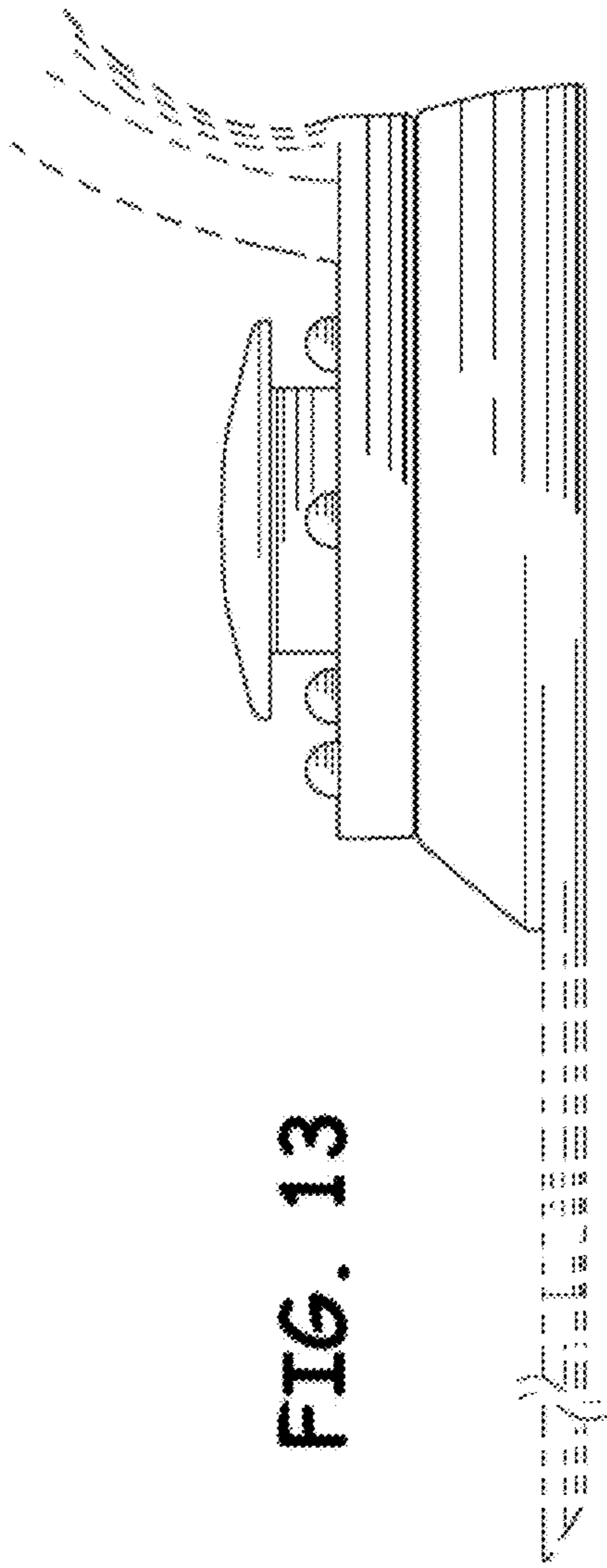
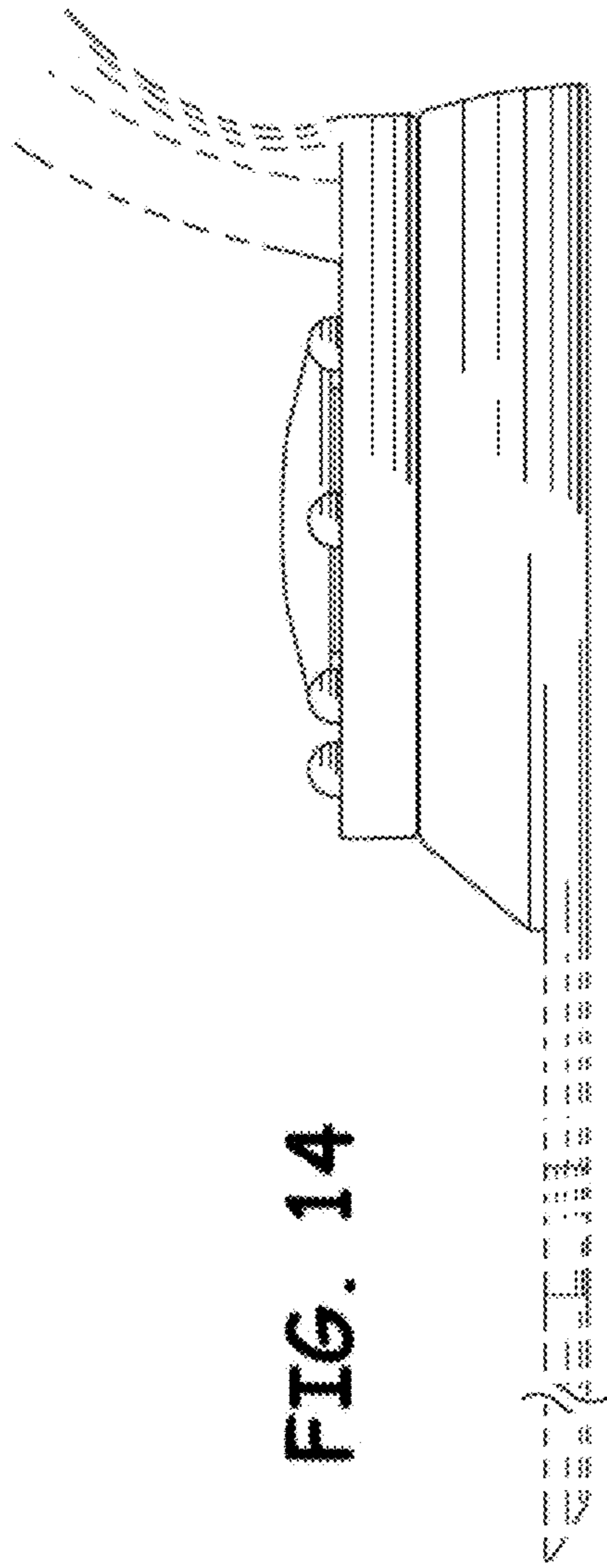


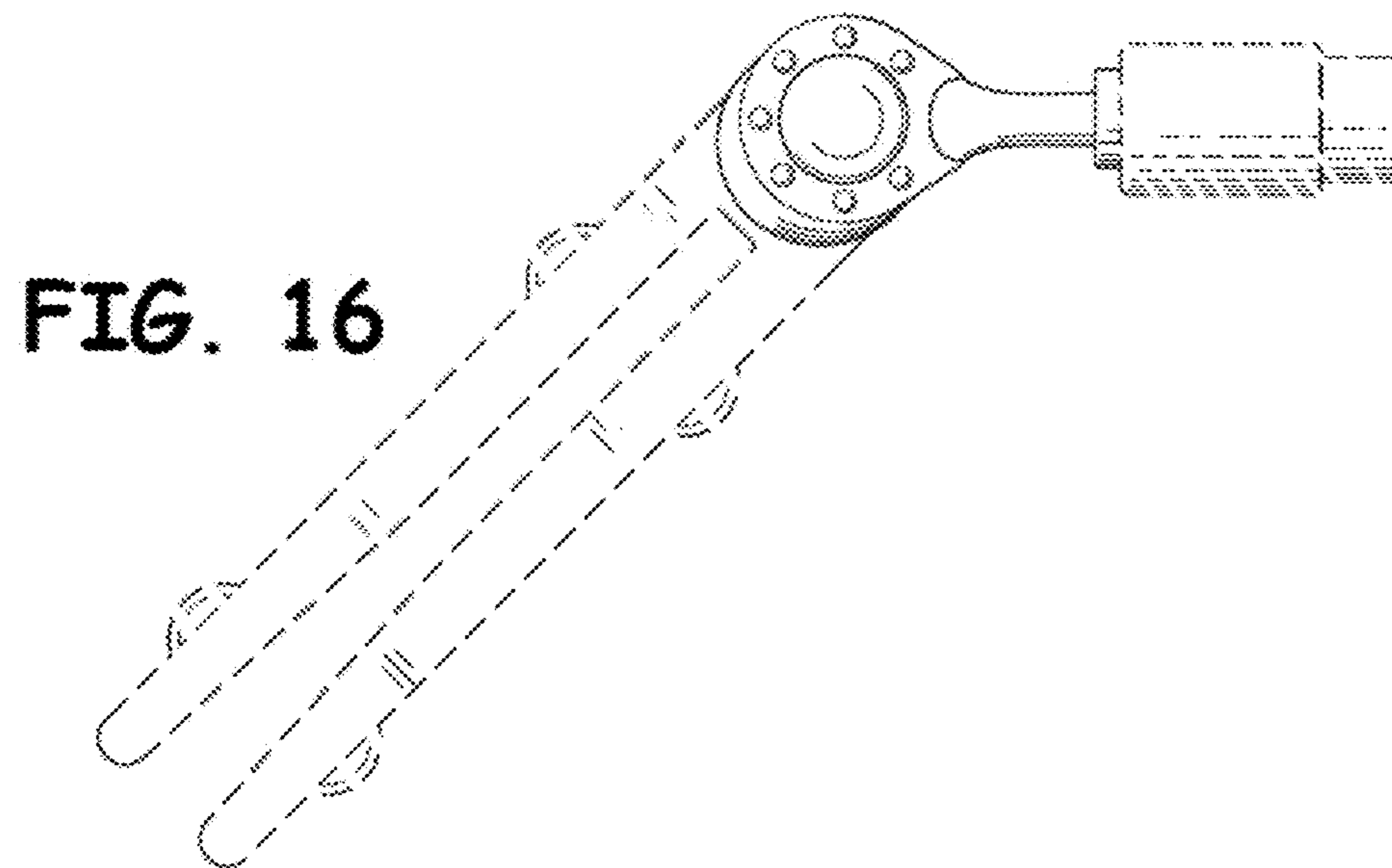
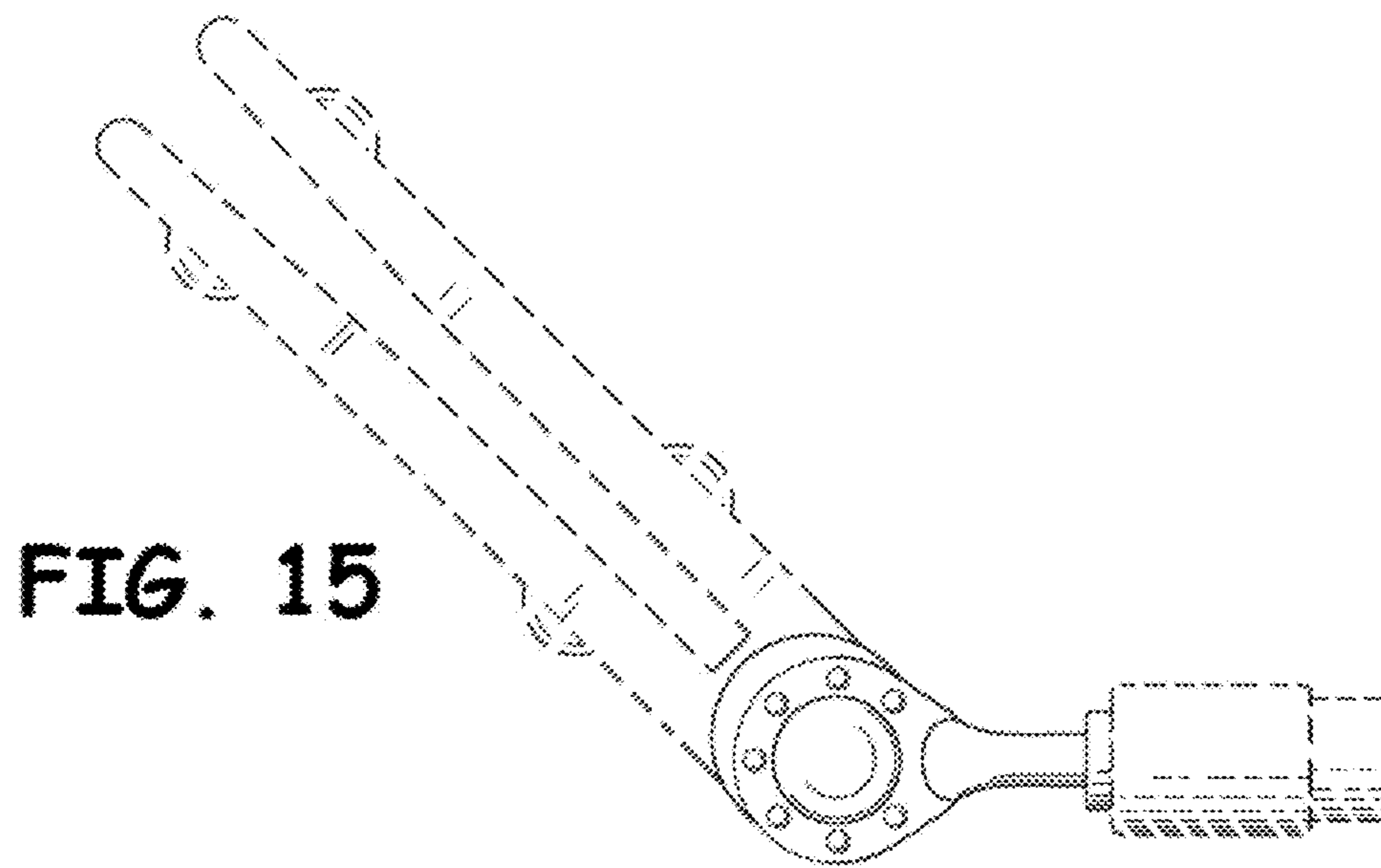
FIG. 12



**FIG. 13**



**FIG. 14**



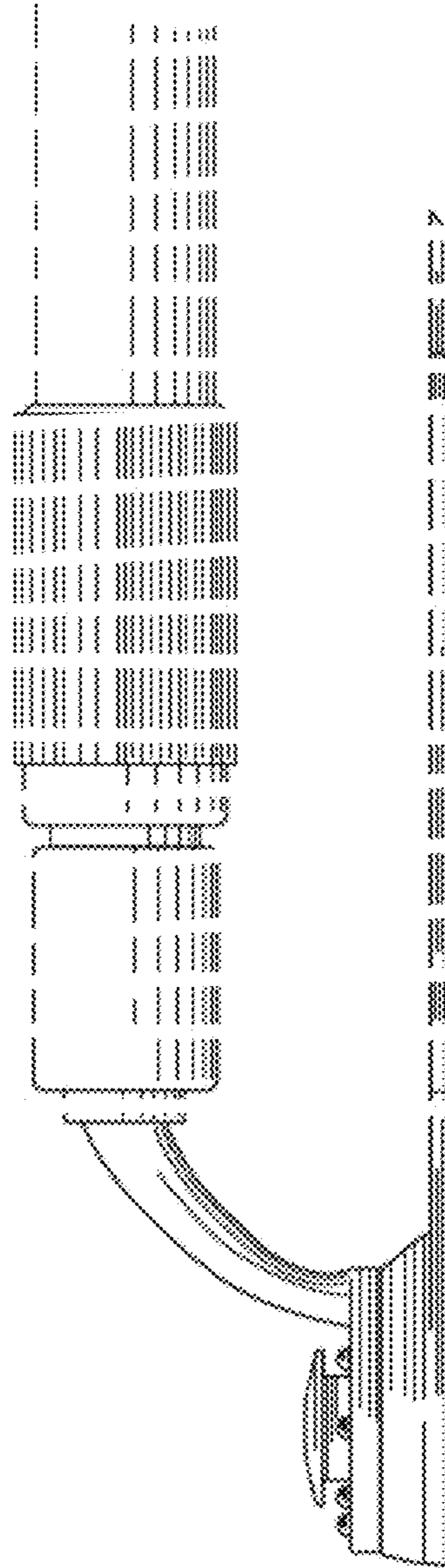


FIG. 17