



US00D731137S

(12) **United States Design Patent**
Colangelo

(10) **Patent No.:** **US D731,137 S**

(45) **Date of Patent:** **** *Jun. 2, 2015**

(54) **CLEANING CLOTH**

(71) Applicant: **Joseph M Colangelo**, Delray Beach, FL
(US)

(72) Inventor: **Joseph M Colangelo**, Delray Beach, FL
(US)

(*) Notice: This patent is subject to a terminal disclaimer.

(**) Term: **14 Years**

(21) Appl. No.: **29/479,522**

(22) Filed: **Jan. 16, 2014**

Related U.S. Application Data

(63) Continuation of application No. 13/685,381, filed on Nov. 26, 2012, now Pat. No. 8,776,300, which is a continuation-in-part of application No. 29/418,019, filed on Apr. 11, 2012, now Pat. No. Des. 674,566.

(51) **LOC (10) Cl.** **04-01**

(52) **U.S. Cl.**
USPC **D32/40**

(58) **Field of Classification Search**
USPC D32/40-46; 15/245, 245.1, 236.01,
15/209, 209.1, 244.1-244.4, 104.93
See application file for complete search history.

(56) **References Cited**

U.S. PATENT DOCUMENTS

RE20,260 E * 2/1937 Weller 401/196
2,394,419 A * 2/1946 Zimmerman 156/229

2,932,839 A * 4/1960 Flanigan et al. 401/201
4,510,640 A * 4/1985 Omori 15/104.002
5,591,507 A * 1/1997 Jones 428/88
D426,039 S * 5/2000 Tintelnot et al. D32/40
D462,150 S * 8/2002 Rader et al. D32/40
D674,566 S * 1/2013 Colangelo D32/40

* cited by examiner

Primary Examiner — Robin V Webster

(74) *Attorney, Agent, or Firm* — Smith Risley Tempel Santos LLC; Gregory Scott Smith

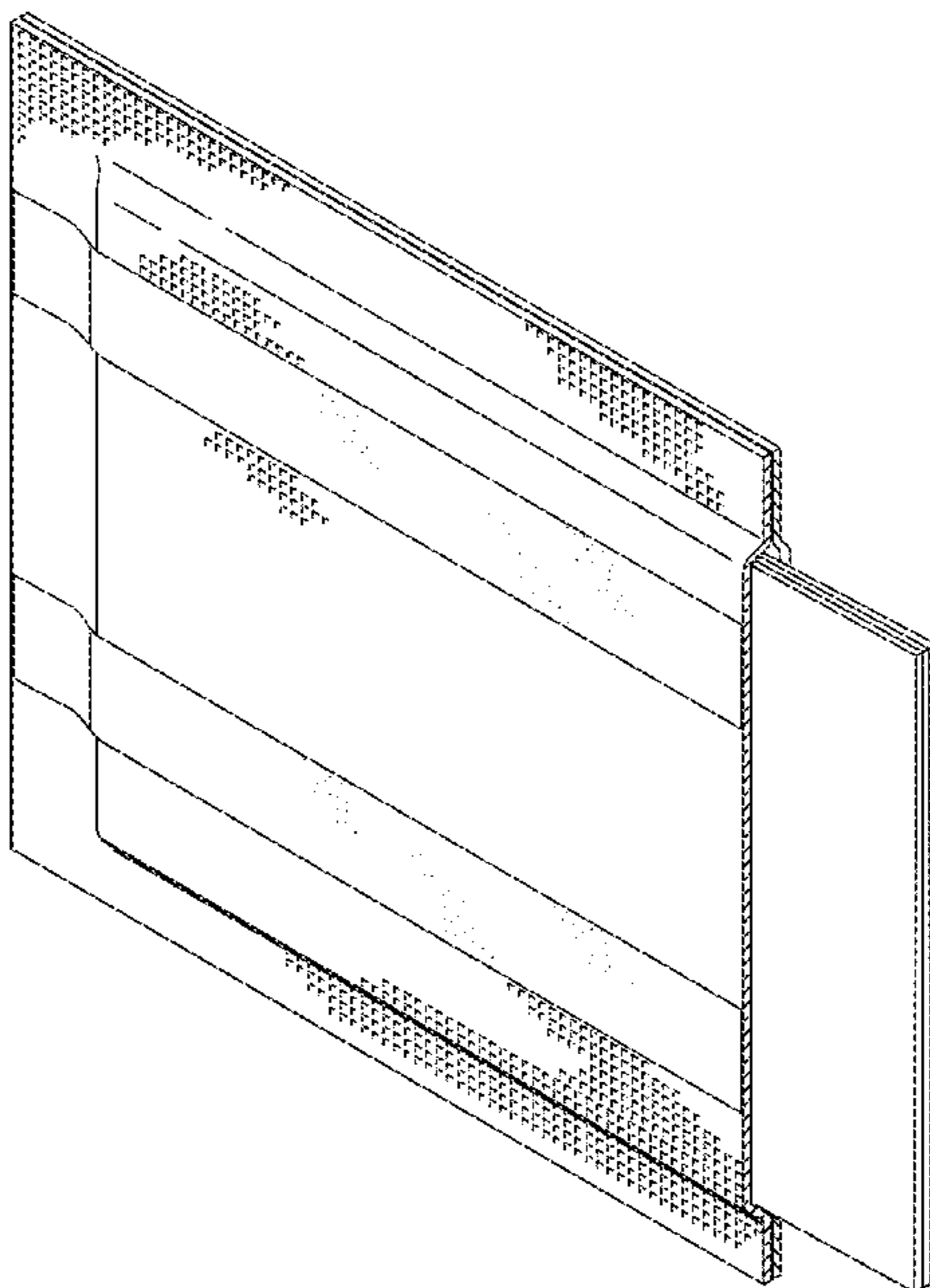
(57) **CLAIM**

The ornamental design for a cleaning cloth, as shown and described.

DESCRIPTION

FIG. 1 is a top plan view of the cleaning cloth;
FIG. 2 is a bottom plan view of the cleaning cloth illustrated in FIG. 1;
FIG. 3 is a perspective view of the cleaning cloth illustrated in FIG. 1 with a cross-section proximate to line 3 as illustrated in FIG. 1;
FIG. 4 is a first side elevation view of the cleaning cloth illustrated in FIG. 1;
FIG. 5 is a second side elevation view of the cleaning cloth illustrated in FIG. 1;
FIG. 6 is a first end elevation view of the cleaning cloth illustrated in FIG. 1; and,
FIG. 7 is a second end elevation view of the cleaning cloth illustrated in FIG. 1.
The texture pattern is partially shown in the drawings for ease of illustration and repeats uniformly throughout the designated areas of the claimed design.

1 Claim, 4 Drawing Sheets



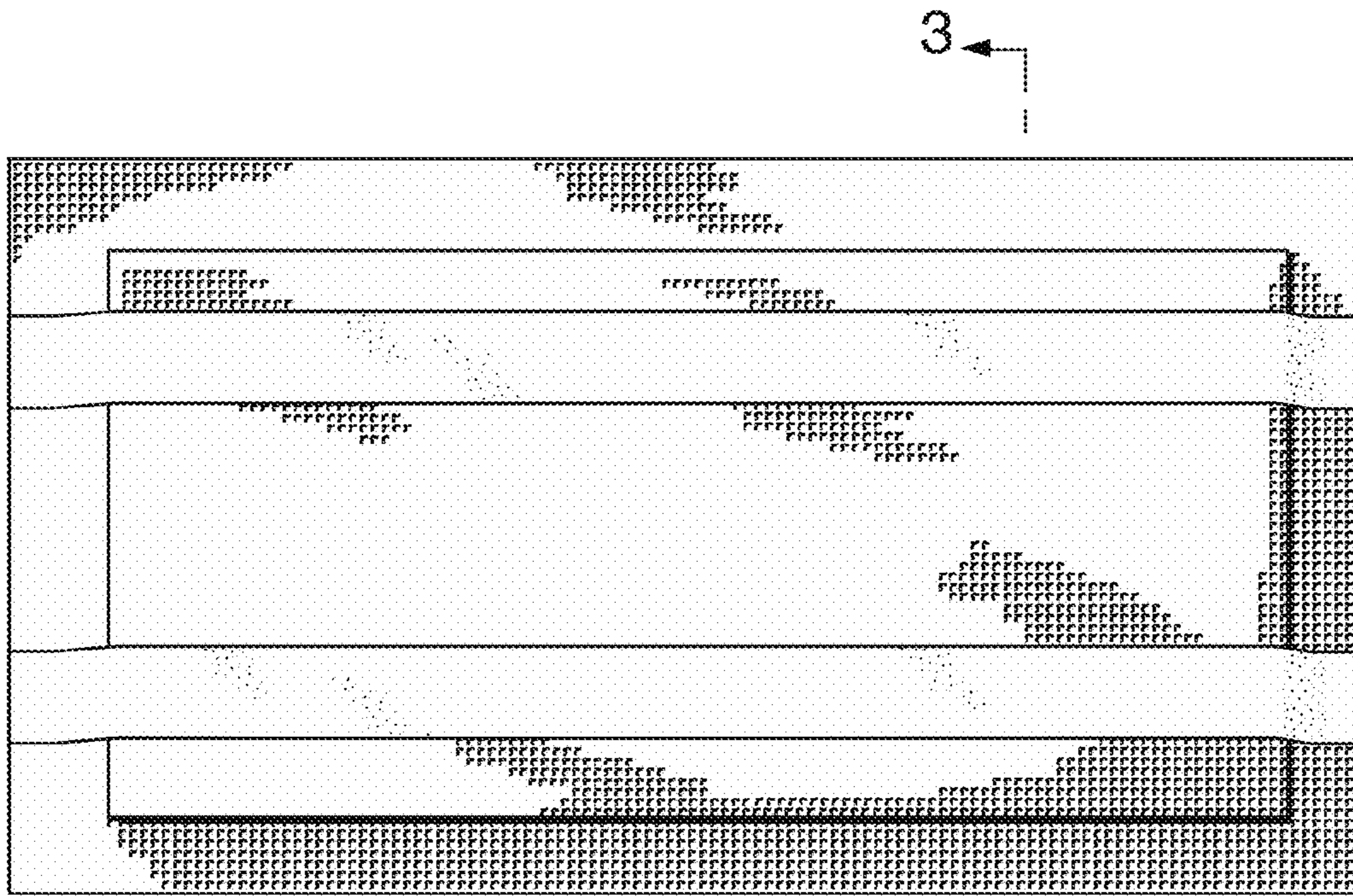


FIG. 1

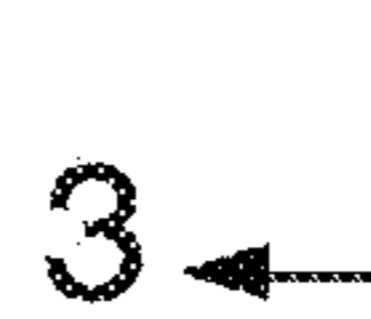


FIG. 2

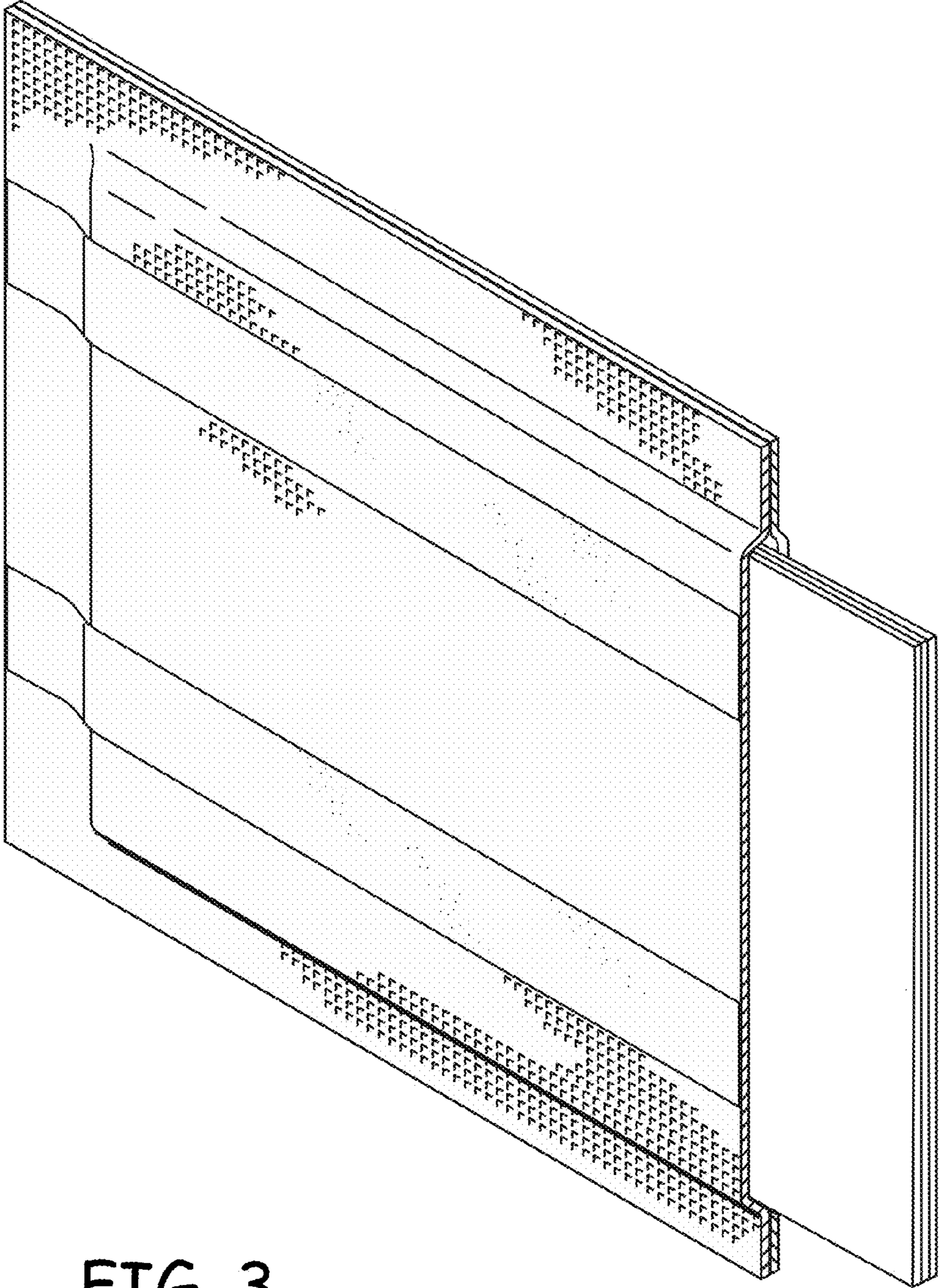


FIG. 3

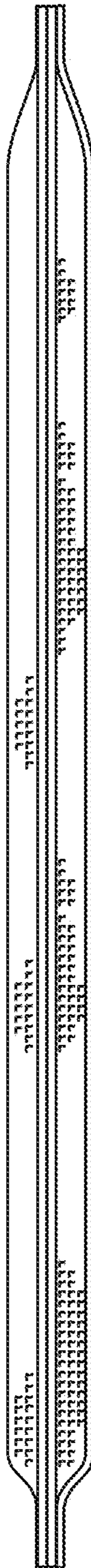


FIG. 4

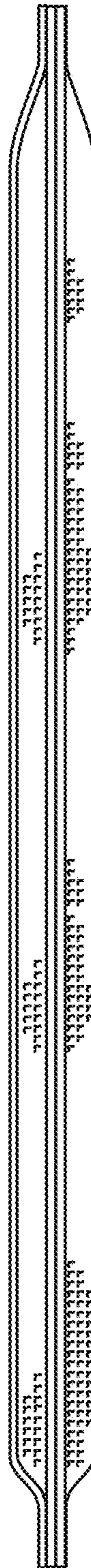


FIG. 5

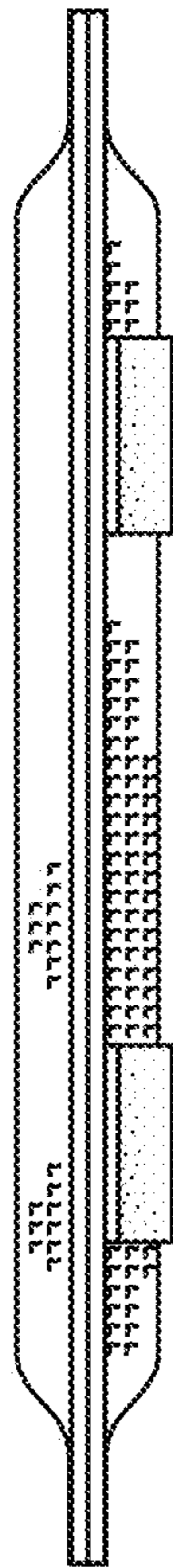


FIG. 6

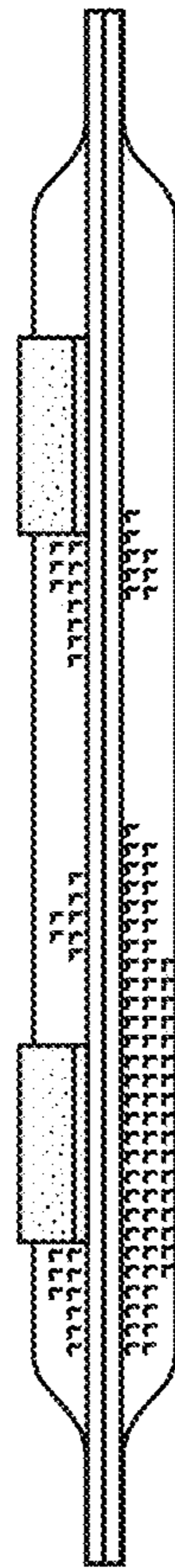


FIG. 7