



US00D731136S

(12) **United States Design Patent**  
**Yun et al.**

(10) **Patent No.:** **US D731,136 S**  
(45) **Date of Patent:** **\*\* Jun. 2, 2015**

(54) **VACUUM CLEANER**

(71) Applicant: **Samsung Electronics Co., Ltd.**,  
Suwon-si (KR)

(72) Inventors: **Deoksang Yun**, Ansan-si (KR);  
**YeonYoung Nam**, Goyang-si (KR);  
**Hwanwoong Choi**, Seoul (KR)

(73) Assignee: **Samsung Electronics Co., Ltd.**,  
Suwon-si (KR)

(\*\*) Term: **14 Years**

(21) Appl. No.: **29/483,022**

(22) Filed: **Feb. 25, 2014**

(30) **Foreign Application Priority Data**

Sep. 2, 2013 (KR) ..... 30-2013-0045143

(51) **LOC (10) Cl.** ..... **15-05**

(52) **U.S. Cl.**  
USPC ..... **D32/34**

(58) **Field of Classification Search**  
USPC ..... D32/15-16, 18-21, 22, 30-34; D15/18;  
D12/111, 114; 15/410-412, 246.2,  
15/320, 329, 344, 350, 347, DIG. 10, 349,  
15/351-353, 340.2, 361, 362; 55/DIG. 3,  
55/323, 337, 429; D8/68-69

See application file for complete search history.

(56) **References Cited**

**U.S. PATENT DOCUMENTS**

D315,043 S *	2/1991	Hayden	.....	D32/34
5,109,568 A *	5/1992	Rohn et al.	.....	15/410
D333,023 S *	2/1993	Herron, Jr.	.....	D32/34
D334,447 S *	3/1993	Rohn	.....	D32/34
D431,335 S *	9/2000	Mehaffey et al.	.....	D32/34
D522,199 S *	5/2006	Cunningham et al.	.....	D32/34
7,194,784 B2 *	3/2007	Overvaag et al.	.....	15/410

D543,325 S *	5/2007	Burnham	.....	D32/34
D565,266 S *	3/2008	Crevling et al.	.....	D32/34
D565,819 S *	4/2008	Renner	.....	D32/34
D641,113 S *	7/2011	Choi et al.	.....	D32/34
D641,114 S *	7/2011	Choi et al.	.....	D32/34
D642,755 S *	8/2011	Fjellman	.....	D32/34
D644,384 S *	8/2011	Santiago et al.	.....	D32/34
D644,385 S *	8/2011	Hare et al.	.....	D32/34
D670,056 S *	10/2012	Ventress et al.	.....	D32/34
8,650,709 B2 *	2/2014	McLeod et al.	.....	15/410
8,671,517 B2 *	3/2014	Ventress et al.	.....	15/410

\* cited by examiner

*Primary Examiner* — Ruth McInroy

(74) *Attorney, Agent, or Firm* — NSIP Law

(57) **CLAIM**

We claim the ornamental design for a vacuum cleaner, as shown and described.

**DESCRIPTION**

FIG. 1 is a front perspective view of a vacuum cleaner showing our new design;

FIG. 2 is a front view thereof;

FIG. 3 is a rear view thereof;

FIG. 4 is a left-side view thereof;

FIG. 5 is a right-side view thereof;

FIG. 6 is a top view thereof;

FIG. 7 is a bottom view thereof;

FIG. 8 is a perspective view thereof shown detached from a vacuum cleaner; and,

FIG. 9 is another perspective view thereof shown detached from a portion of the vacuum cleaner.

The details shown in broken lines form no part of the claimed design.

The broken lines in the figures show portions of the vacuum cleaner which form no part of the claimed design.

The broken line showing of the vacuum cleaner in FIGS. 8 and 9 is for environmental purposes only and forms no part of the claimed design.

**1 Claim, 9 Drawing Sheets**

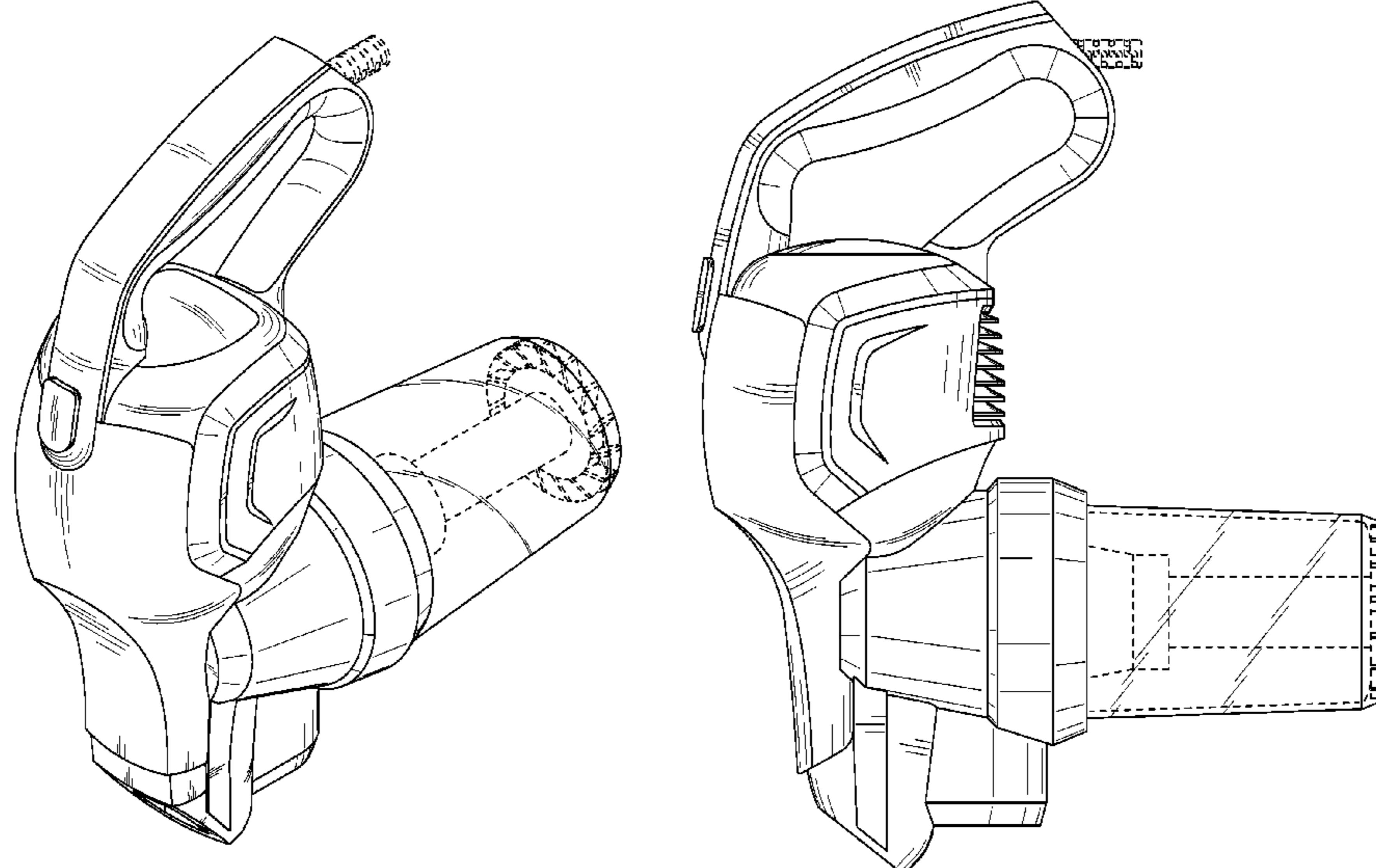


FIG. 1

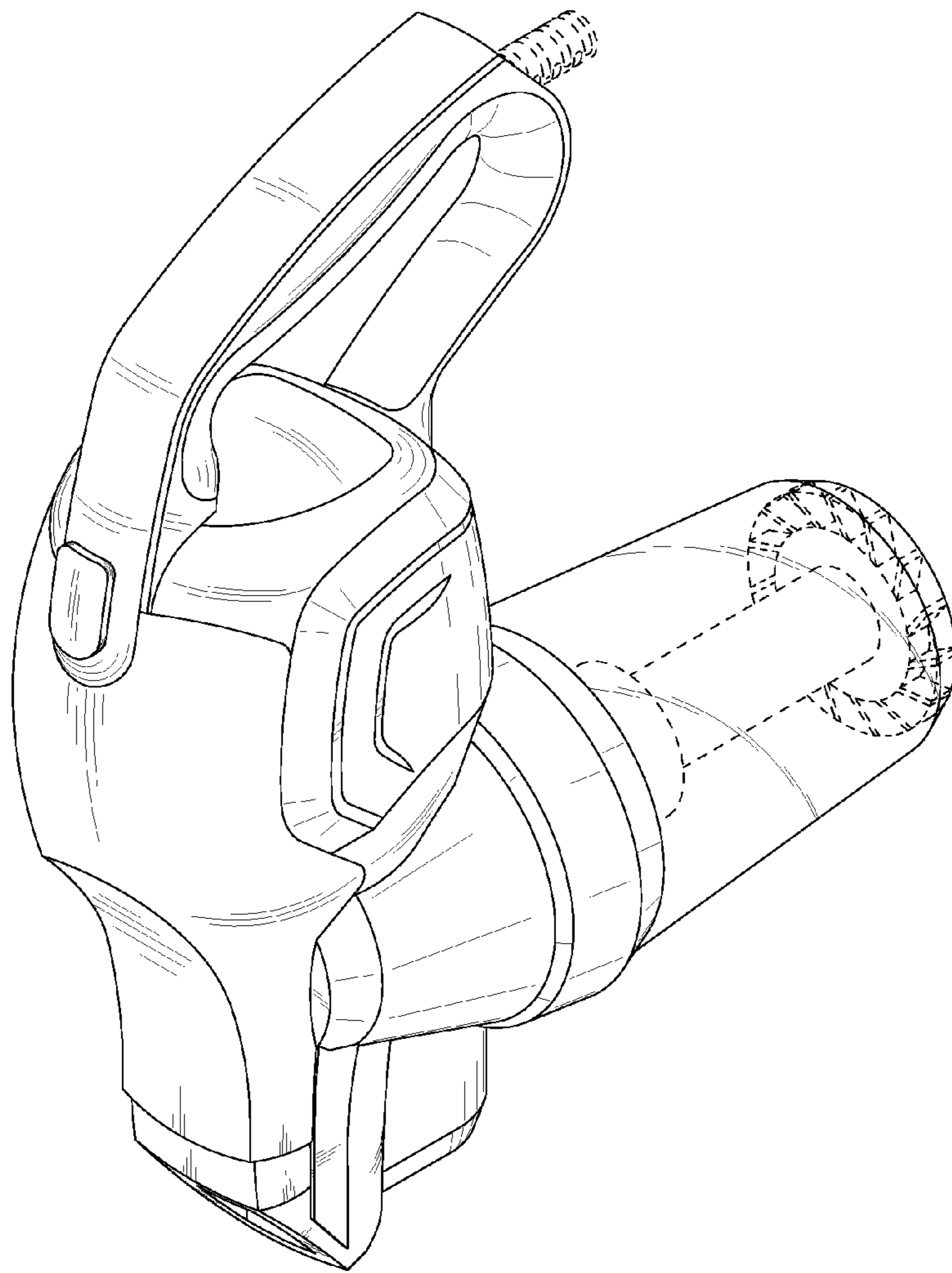


FIG. 2

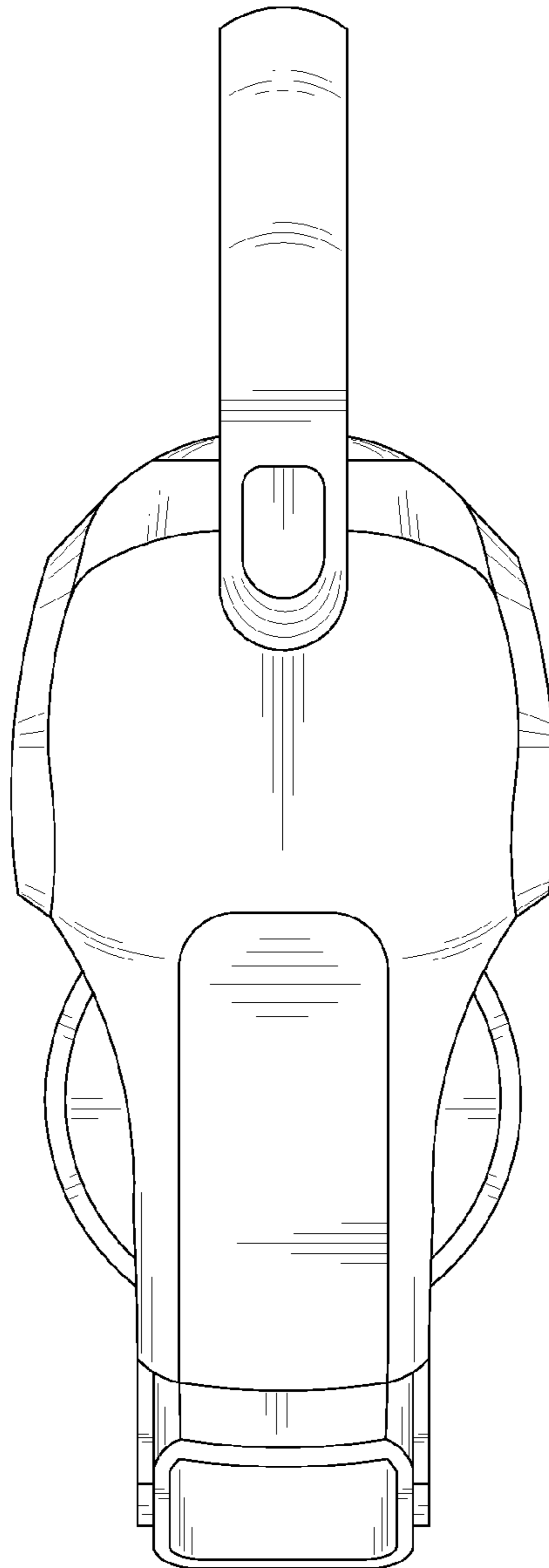


FIG. 3

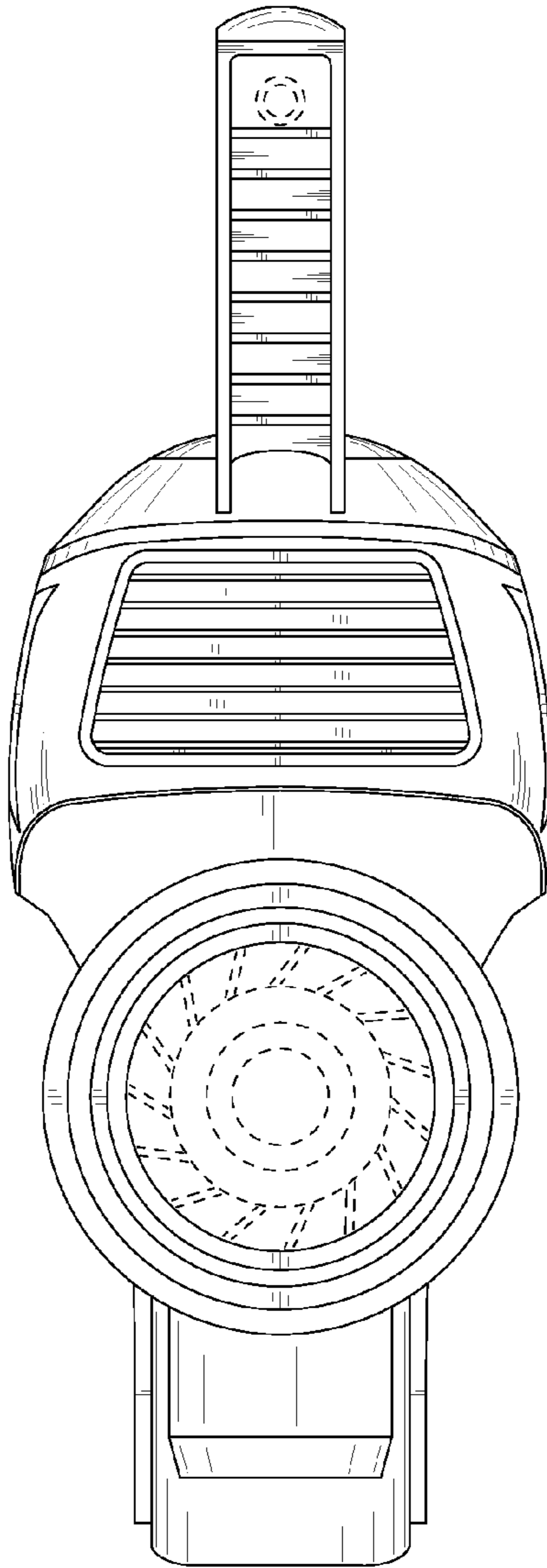


FIG. 4

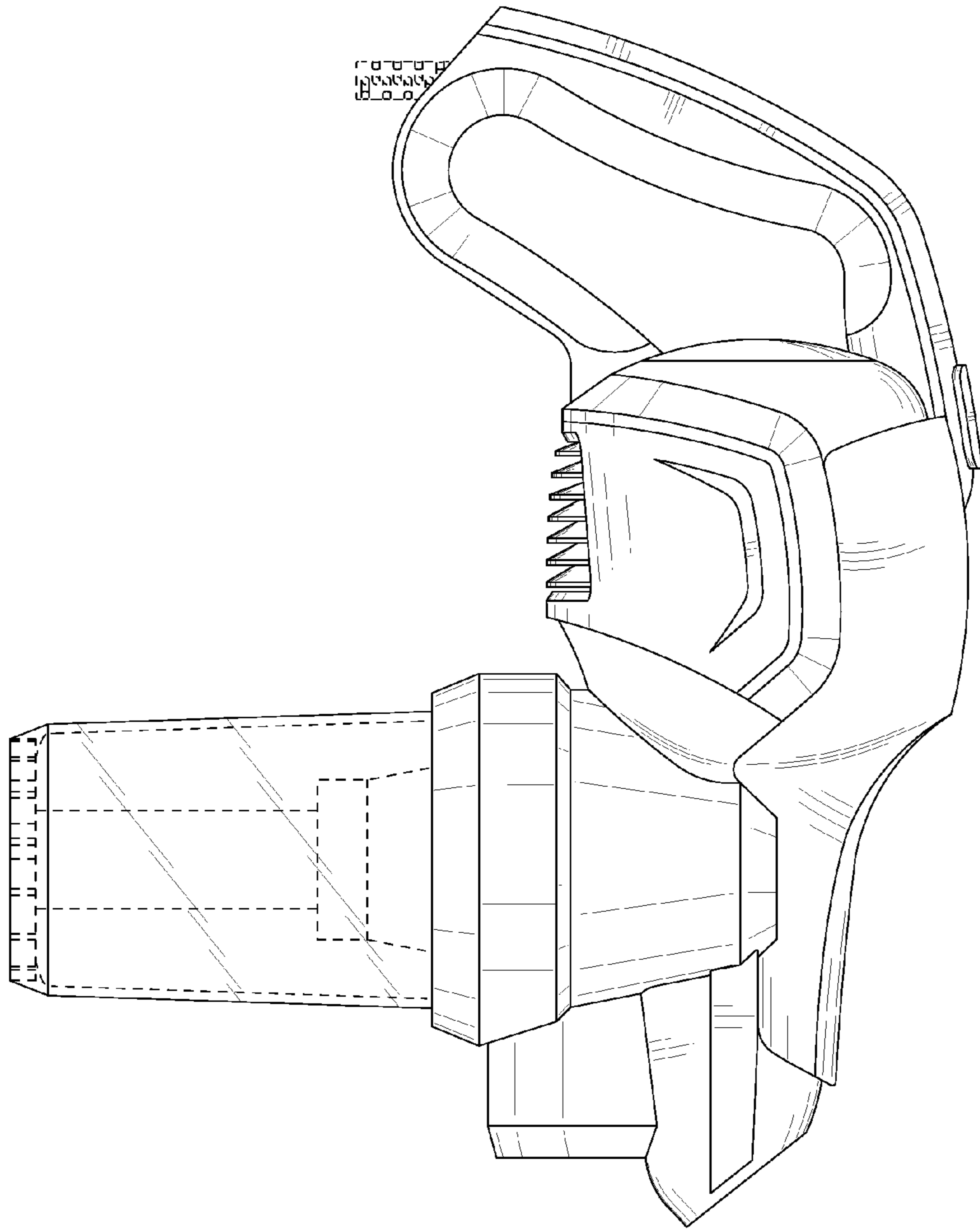


FIG. 5

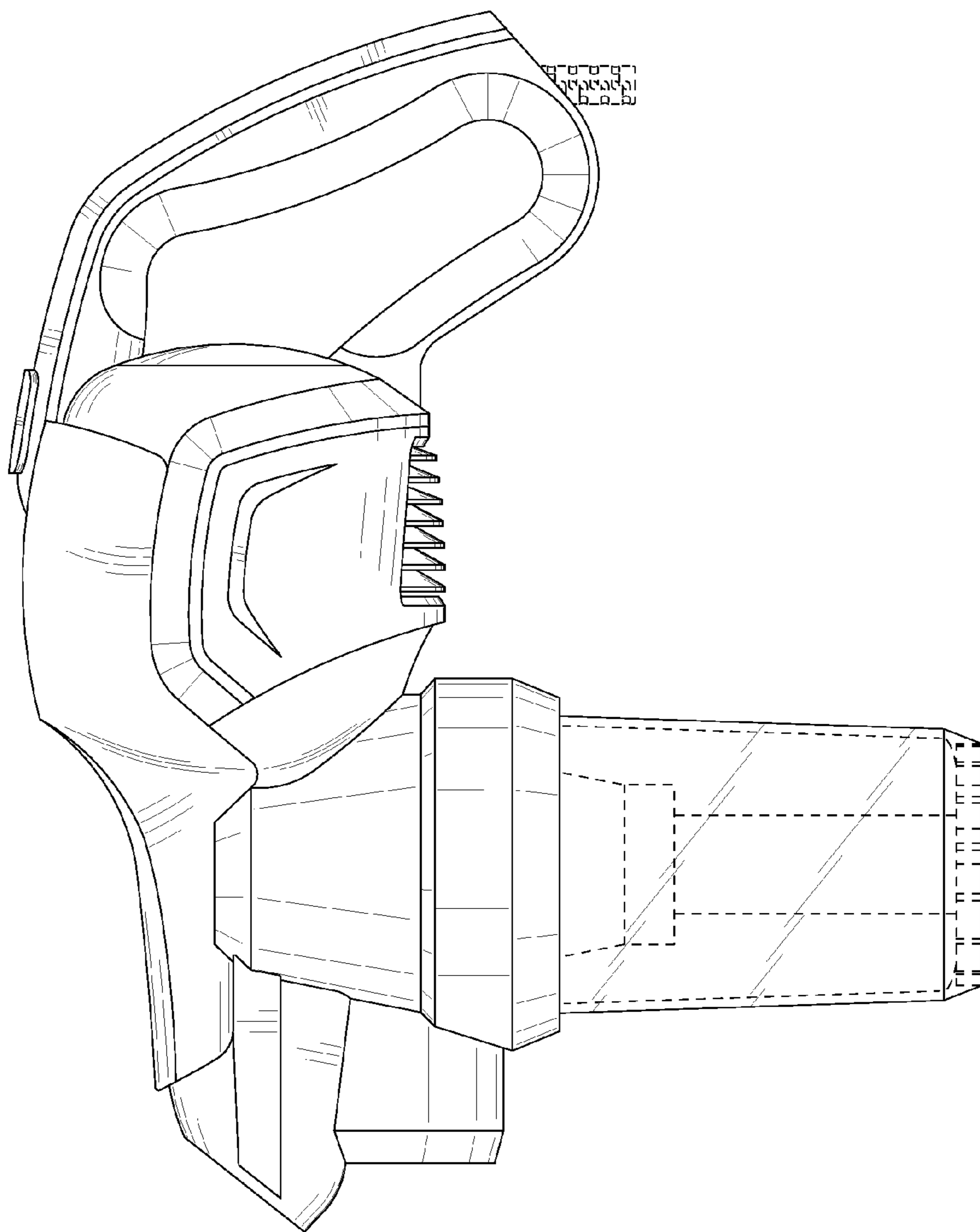


FIG. 6

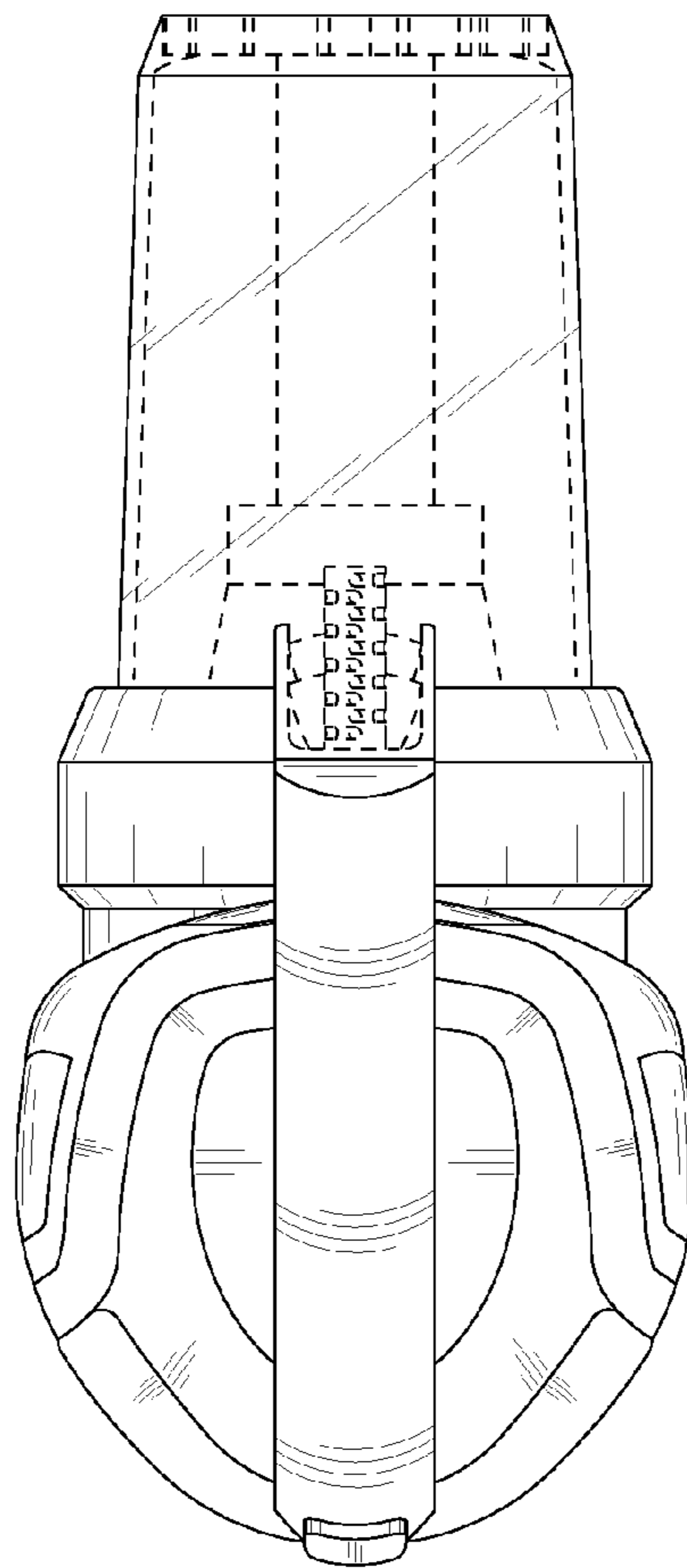


FIG. 7

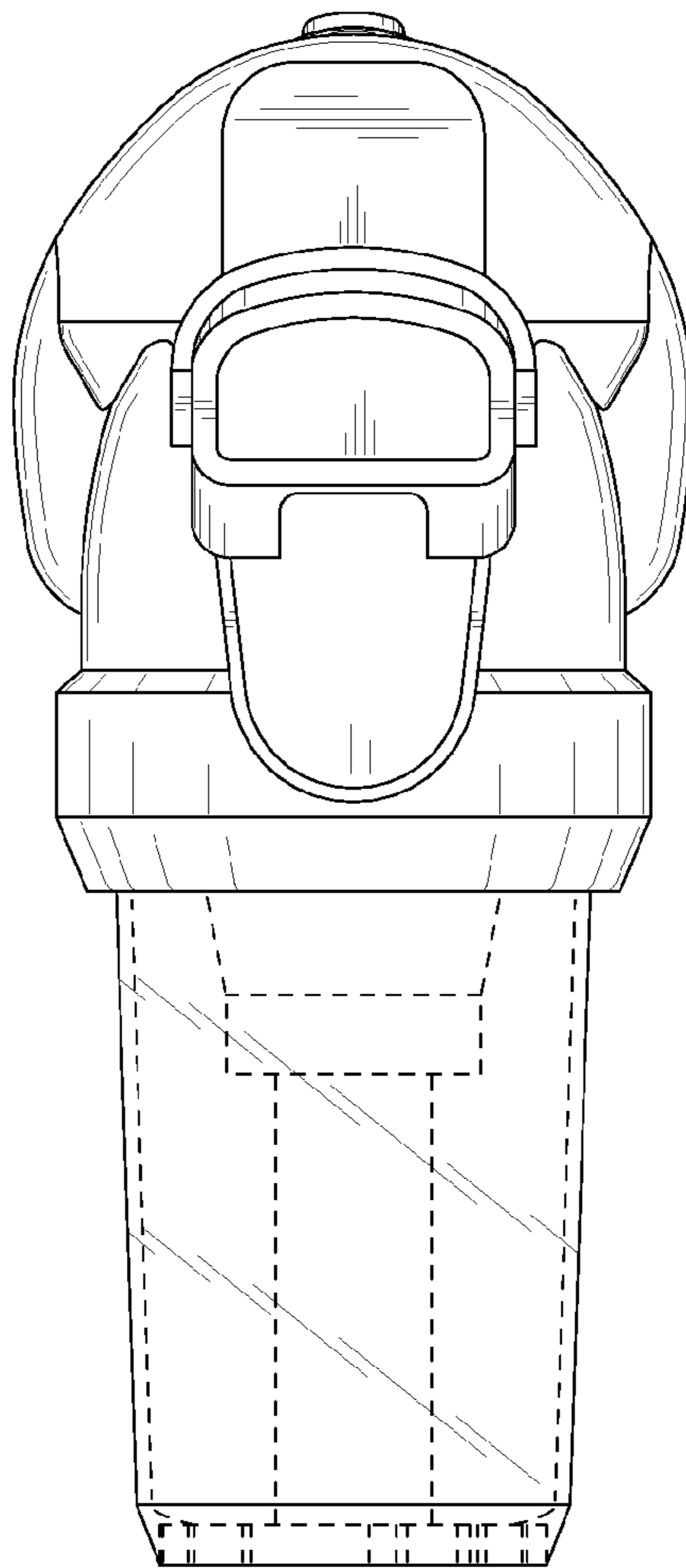




FIG. 8

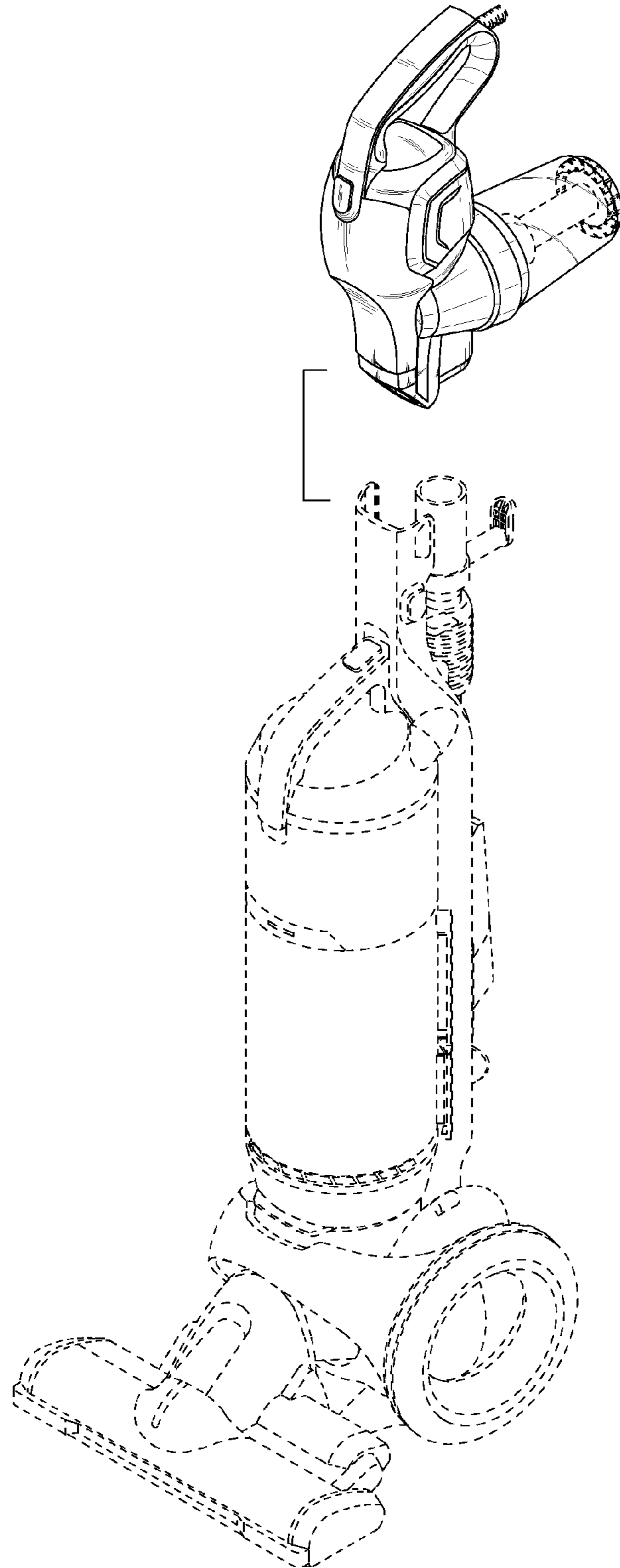


FIG. 9

