



US00D731135S

(12) **United States Design Patent**
Small

(10) **Patent No.:** **US D731,135 S**
(45) **Date of Patent:** **** Jun. 2, 2015**

(54) **CYCLONE DUST COLLECTOR**

(71) Applicant: **Smallaire Pty Ltd**, South Perth (AU)
(72) Inventor: **Gary Thomas Small**, South Perth (AU)
(73) Assignee: **SMALLAIRE PTY LTD**, South Perth (AU)
(**) Term: **14 Years**
(21) Appl. No.: **29/482,211**

(22) Filed: **Feb. 14, 2014**

(30) **Foreign Application Priority Data**

Dec. 23, 2013 (AU) 16773/2013

(51) **LOC (10) Cl.** **15-05**

(52) **U.S. Cl.**

USPC **D32/31**

(58) **Field of Classification Search**

USPC D32/31, 21, 22, 24, 34; 15/350–353,
15/361–362, 347, 410–411, 414, 320–322,
15/329, 335, 246.2, 1.7, 340.2, DIG. 10;
55/345

CPC A47L 5/24; A47L 11/34; A47L 5/362;
A47L 19/1666; A47L 9/325; B01D 45/12;
B01D 50/002

See application file for complete search history.

(56) **References Cited**

U.S. PATENT DOCUMENTS

7,722,693	B2 *	5/2010	Yoo et al.	55/345
8,402,598	B2 *	3/2013	Cho	15/351
D703,401	S *	4/2014	Hill	D32/31
2005/0138763	A1 *	6/2005	Tanner et al.	15/353
2006/0277872	A1 *	12/2006	Yoo	55/337
2007/0079581	A1 *	4/2007	Kim et al.	55/345
2007/0079583	A1 *	4/2007	Oh	55/345
2008/0223010	A1 *	9/2008	Han et al.	55/345
2008/0289140	A1 *	11/2008	Courtney et al.	15/353
2009/0265883	A1 *	10/2009	Reed et al.	15/353
2013/0074282	A1 *	3/2013	Schneider et al.	15/353

* cited by examiner

Primary Examiner — Ruth McInroy

(74) *Attorney, Agent, or Firm* — Seed IP Law Group PLLC

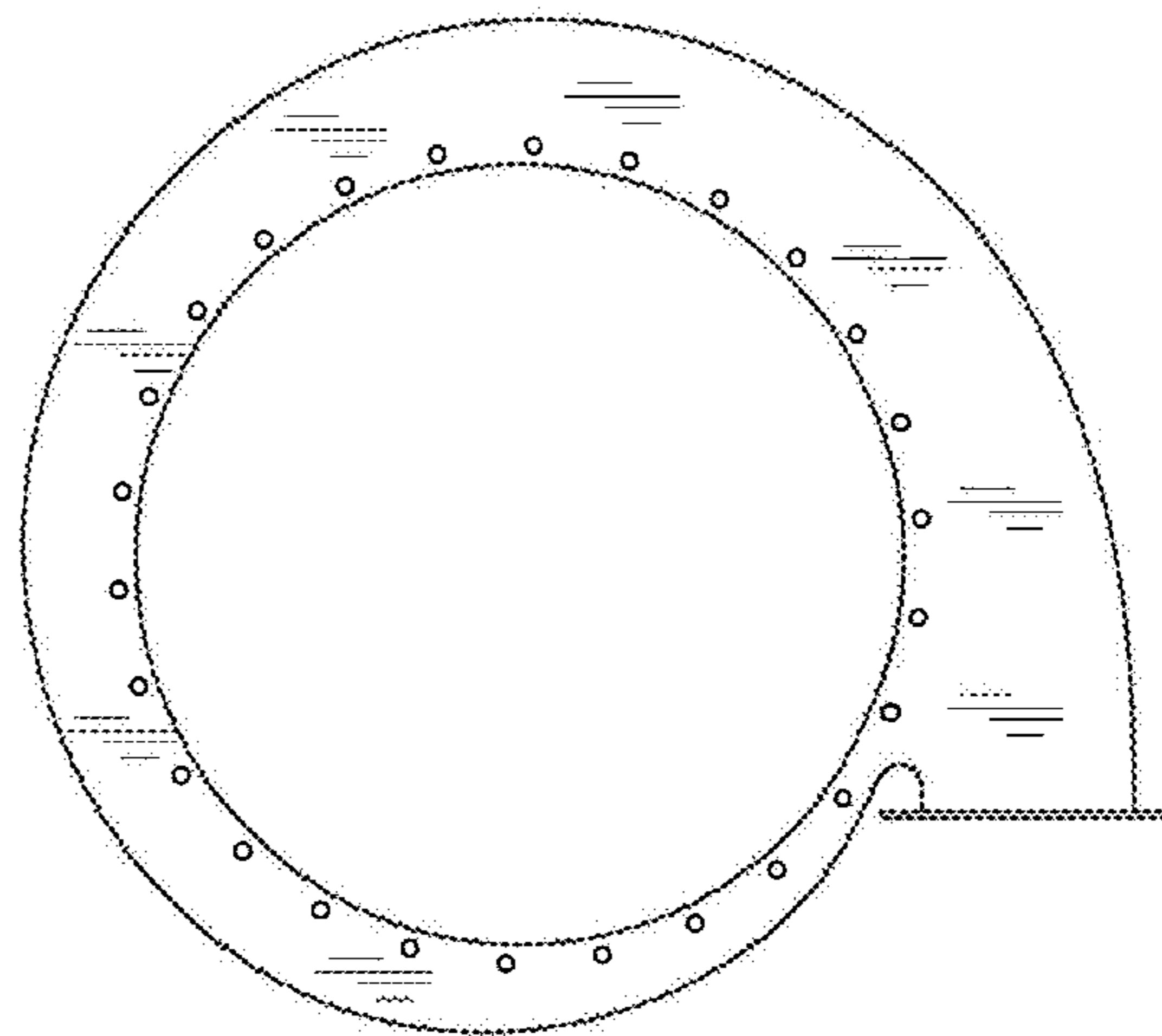
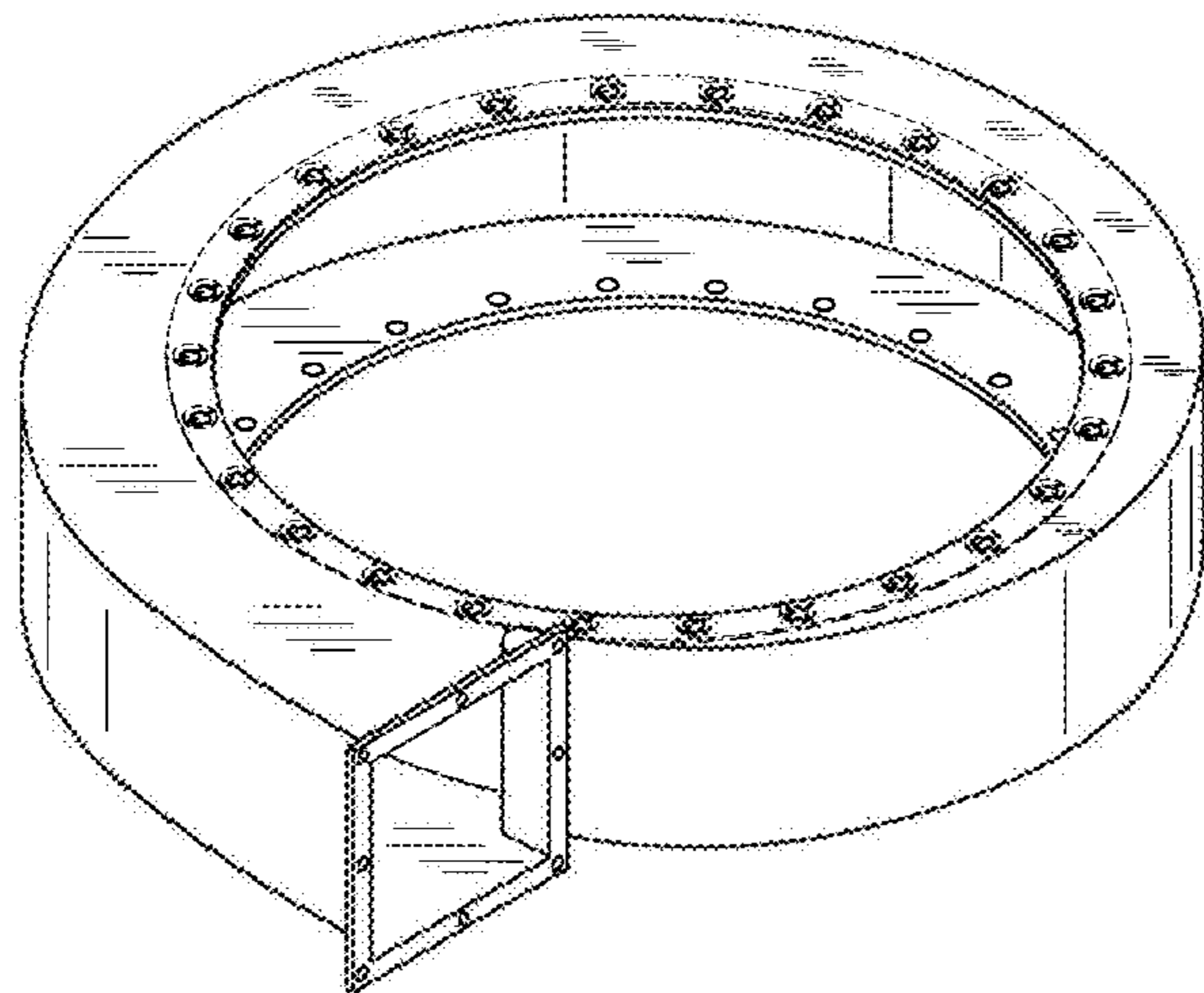
(57) **CLAIM**

The ornamental design for a cyclone dust collector, as shown and described.

DESCRIPTION

FIG. 1 is a right side perspective view of a cyclone dust collector showing my new design.
FIG. 2 is a left side perspective view thereof.
FIG. 3 is a left side view thereof.
FIG. 4 is a right side view thereof.
FIG. 5 is a front view thereof.
FIG. 6 is a rear view thereof.
FIG. 7 is a top view thereof; and,
FIG. 8 is a bottom view thereof.
The details shown in broken lines form no part of the claimed design.

1 Claim, 4 Drawing Sheets



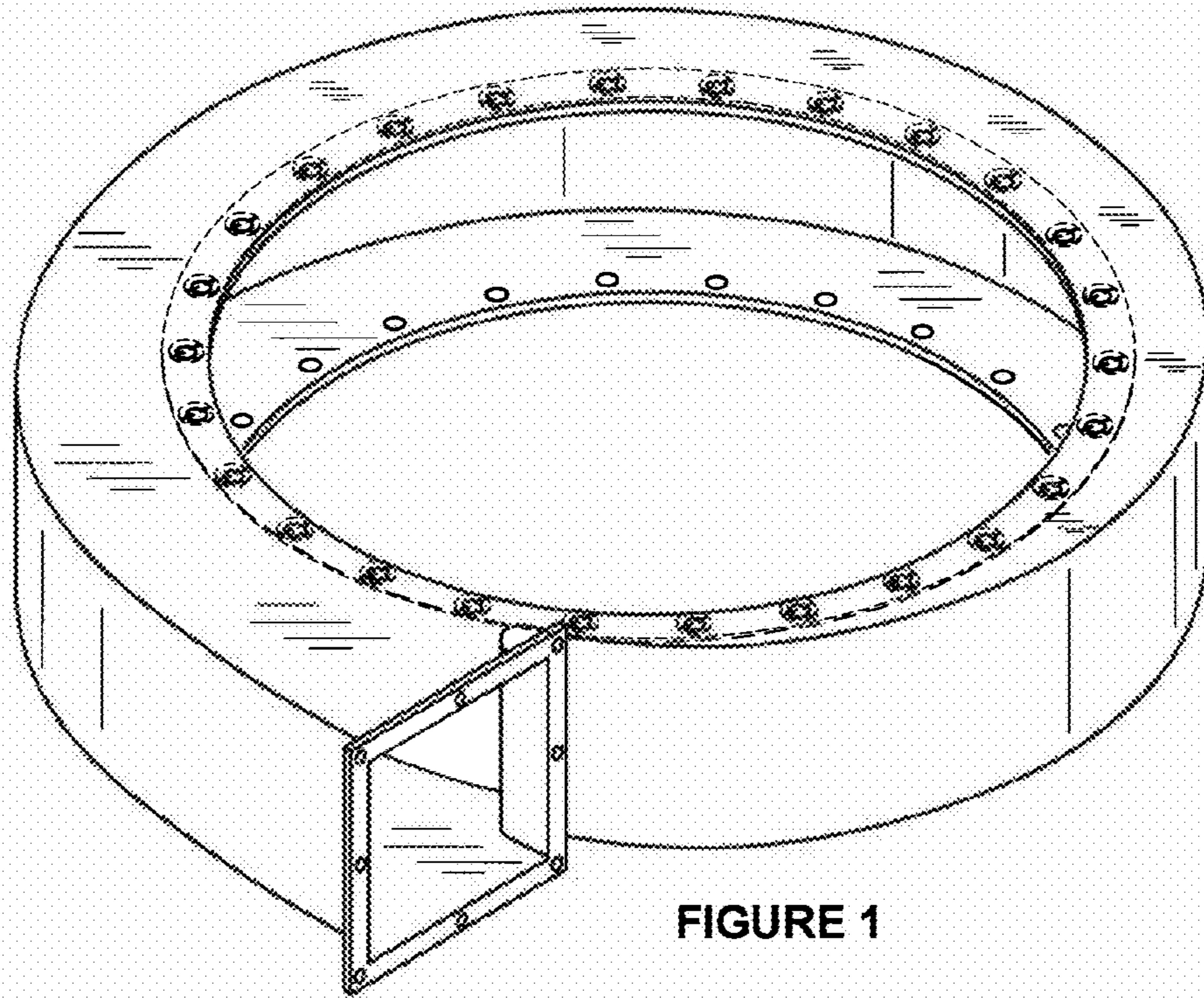


FIGURE 1

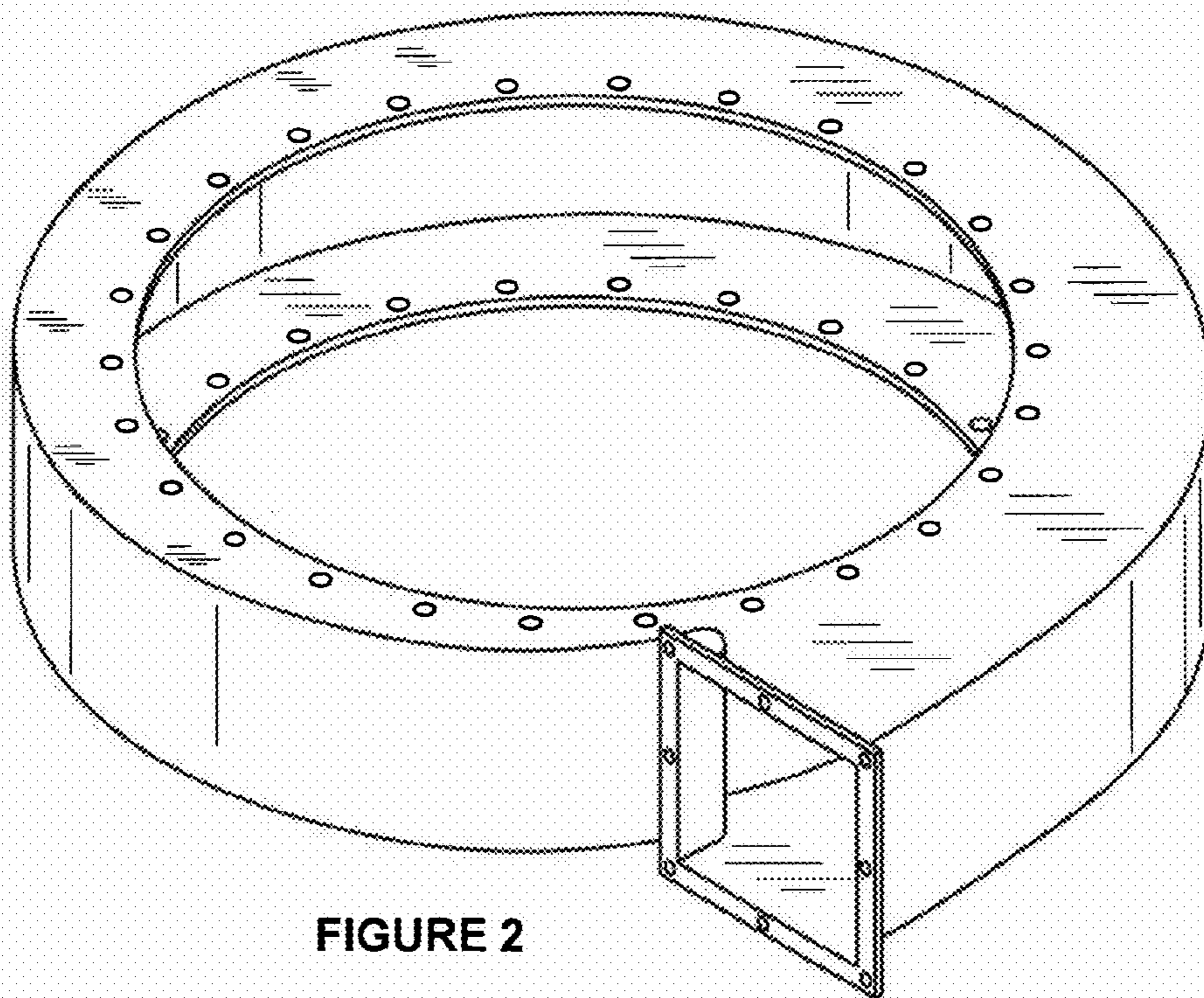


FIGURE 2

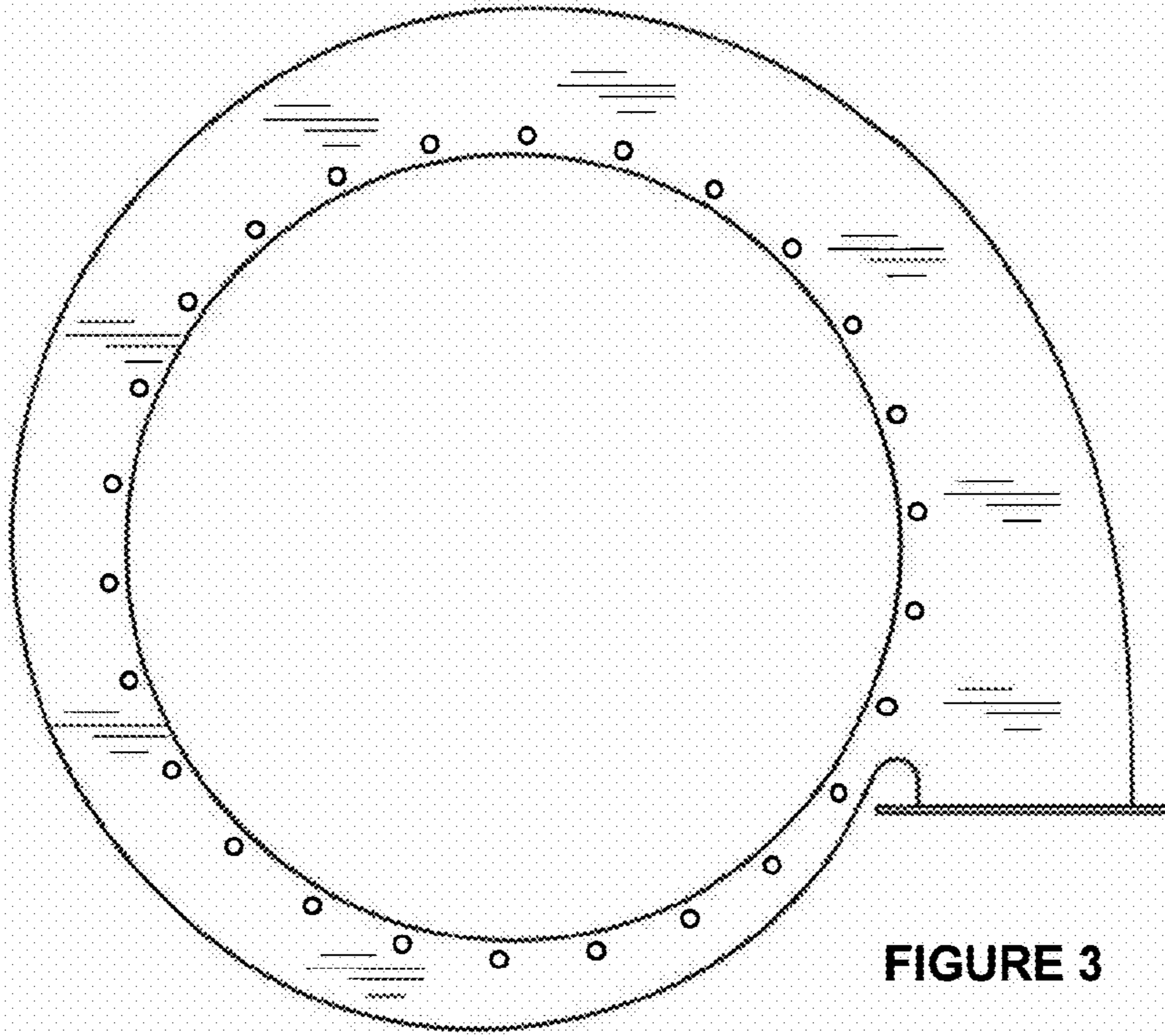


FIGURE 3

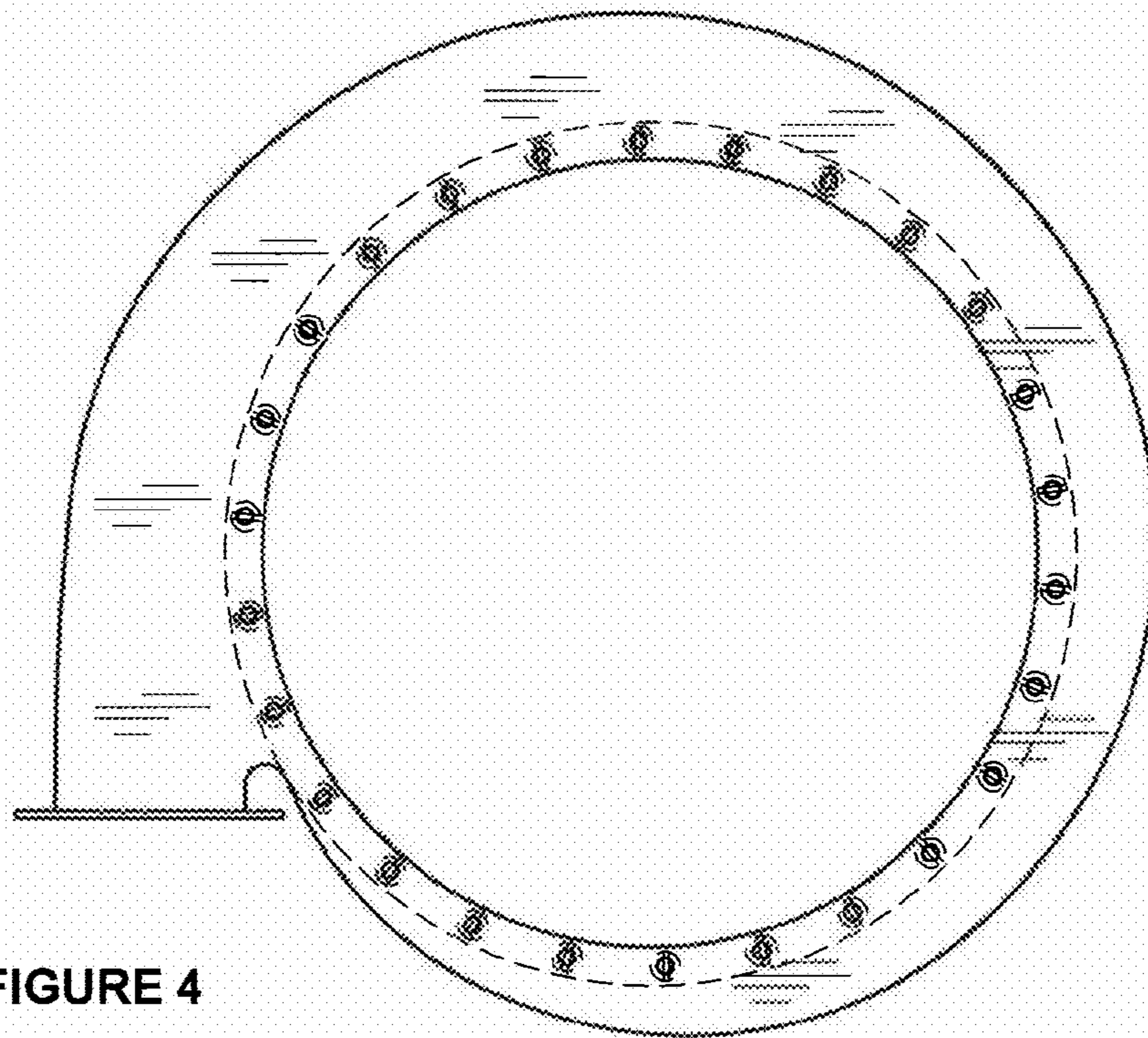


FIGURE 4

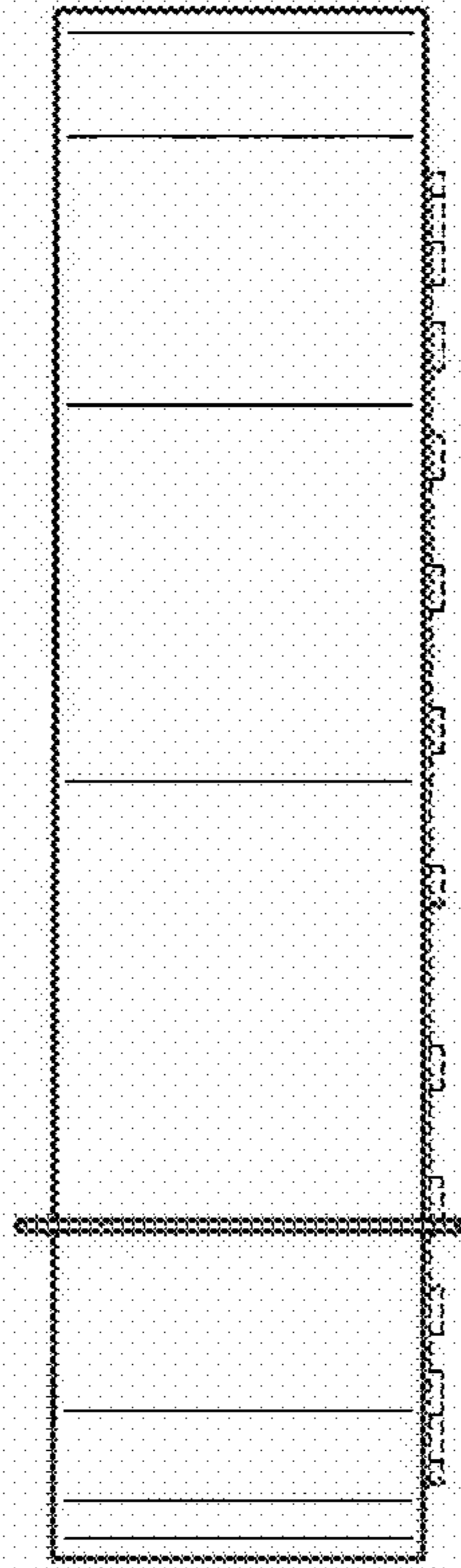


FIGURE 5

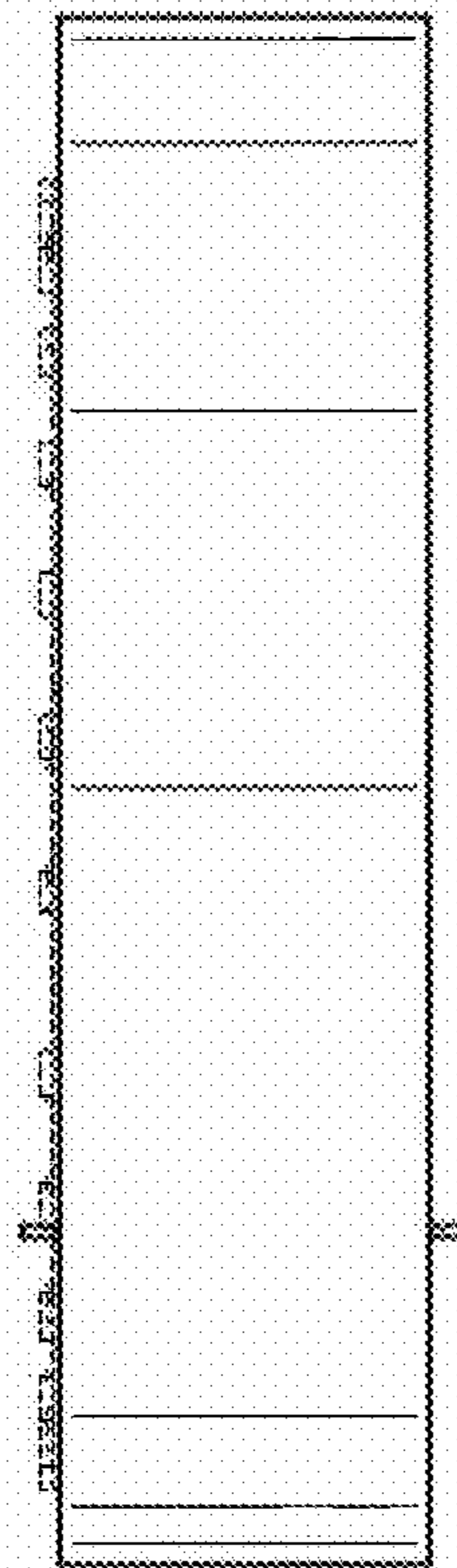


FIGURE 6

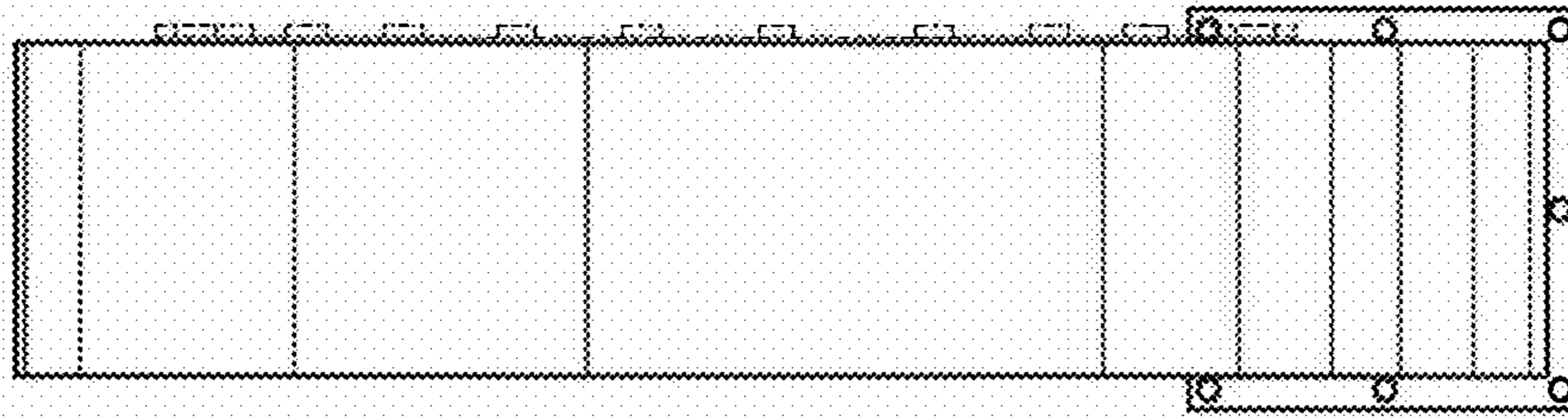


FIGURE 7

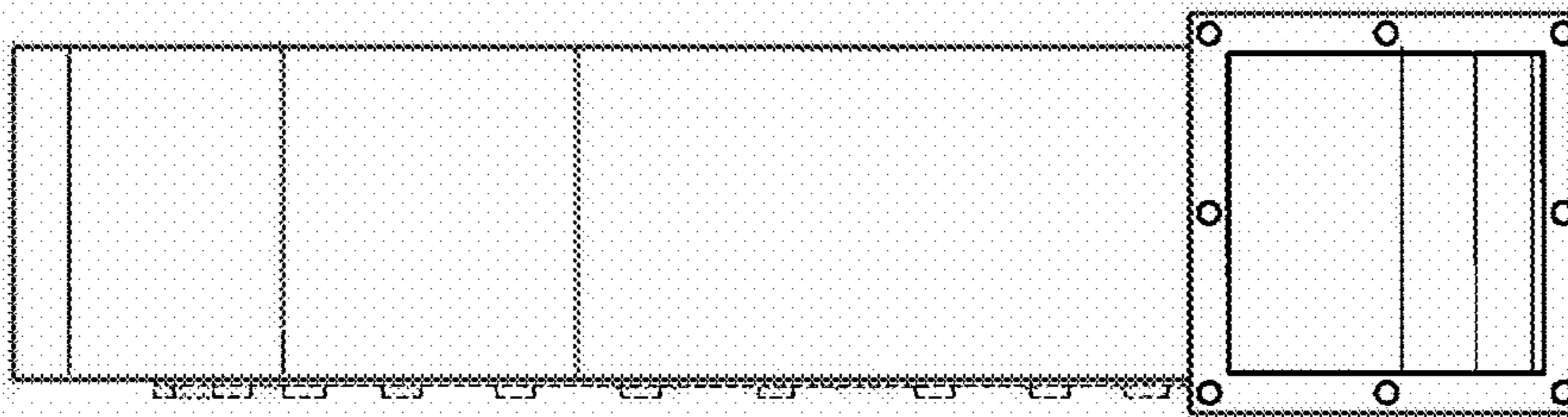


FIGURE 8