



US00D731133S

(12) **United States Design Patent**
Dyson et al.

(10) **Patent No.:** **US D731,133 S**
(45) **Date of Patent:** **** Jun. 2, 2015**

(54) **PART OF A VACUUM CLEANER**
(71) Applicant: **Dyson Technology Limited**, Wiltshire (GB)
(72) Inventors: **James Dyson**, Malmesbury (GB); **Peter David Gammack**, Malmesbury (GB); **Timothy Nicholas Stickney**, Malmesbury (GB); **Jonathan George Marsh**, Malmesbury (GB)
(73) Assignee: **Dyson Technology Limited**, Malmesbury, Wiltshire (GB)

D580,353 S 11/2008 Harrison et al.
D587,415 S * 2/2009 Dyson et al. D32/31
D589,440 S 3/2009 Van Wambeke
D590,333 S 4/2009 Price et al.
D593,944 S 6/2009 Smith
D609,416 S 2/2010 Hill et al.
D610,537 S 2/2010 Sweeney
D622,660 S 8/2010 Taniguchi et al.
D629,746 S 12/2010 Workman et al.
D657,511 S 4/2012 Dyson et al.
D668,010 S * 9/2012 Stickney et al. D32/18
D668,823 S * 10/2012 Stickney et al. D32/18
D670,052 S 10/2012 Dos Reis
D670,053 S 10/2012 Dyson et al.
D670,054 S 10/2012 Dyson et al.

(Continued)

(**) Term: **14 Years**
(21) Appl. No.: **29/464,493**
(22) Filed: **Aug. 16, 2013**

OTHER PUBLICATIONS

Dyson et al., U.S. Office Action mailed Sep. 2, 2014, directed to U.S. Appl. No. 29/464,503, 6 pages.

(Continued)

(30) **Foreign Application Priority Data**
Feb. 18, 2013 (EM) 001361141-0002
(51) **LOC (10) Cl.** **15-05**
(52) **U.S. Cl.**
USPC **D32/31**
(58) **Field of Classification Search**
USPC D32/17, 18, 31, 21, 23-24; 15/320, 15/344, 329, 347, 327.1, 327.2, 327.5, 15/327.6, 327.7, 352-353, DIG. 1, DIG. 8; 55/337, 429, 345, DIG. 3, 459.1
See application file for complete search history.

Primary Examiner — Ruth McInroy
(74) *Attorney, Agent, or Firm* — Morrison & Foerster LLP

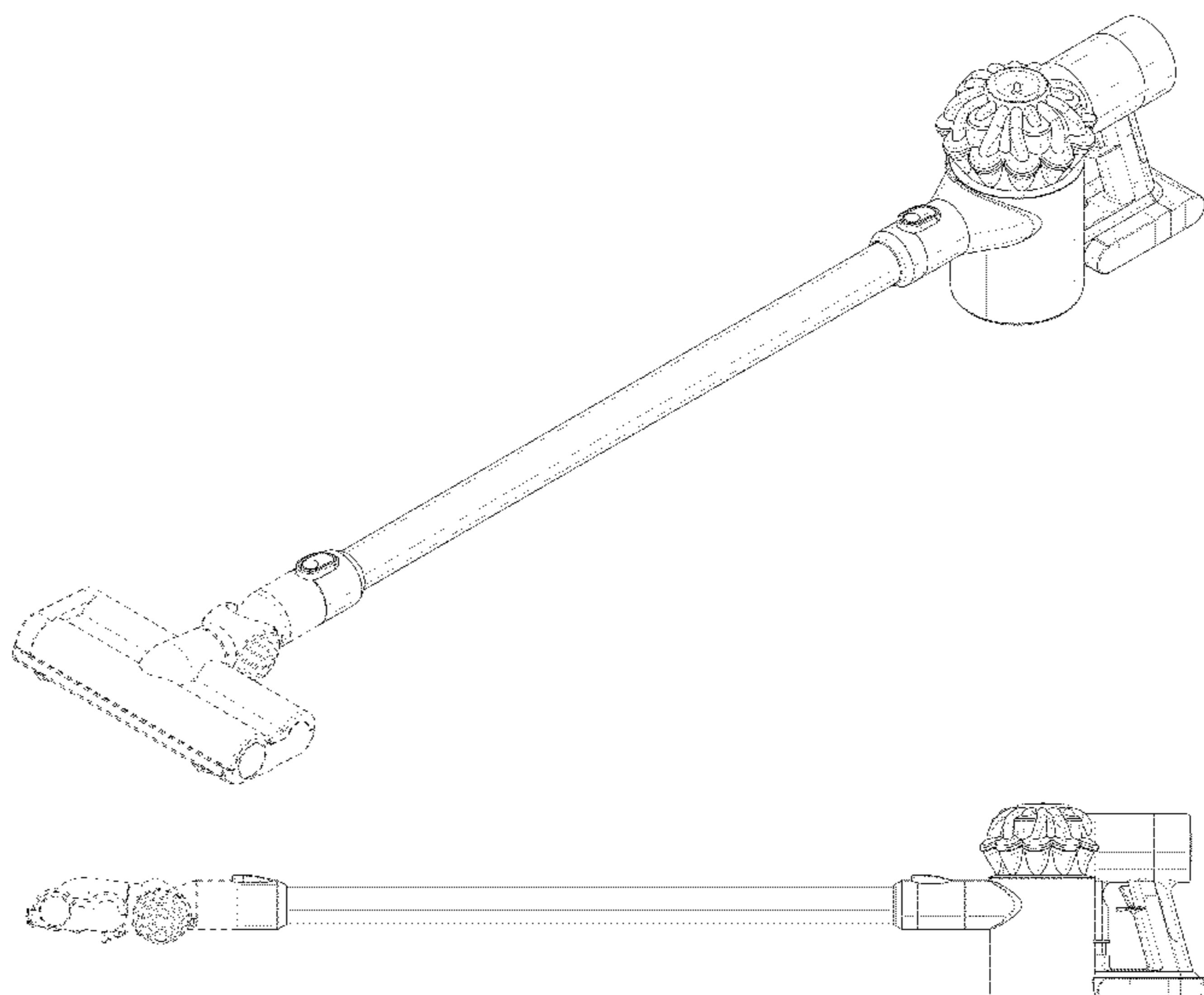
(57) **CLAIM**
We claim the ornamental design for a part of a vacuum cleaner, as shown and described.

DESCRIPTION

FIG. 1 is a perspective view of a part of a vacuum cleaner showing our new design;
FIG. 2 is a side view thereof;
FIG. 3 is a side view of the opposite side of FIG. 2;
FIG. 4 is a top view thereof;
FIG. 5 is a bottom view thereof;
FIG. 6 is a front view thereof; and,
FIG. 7 is a rear view thereof.
The details shown in broken lines form no part of the claimed design.

(56) **References Cited**
U.S. PATENT DOCUMENTS
D432,077 S 10/2000 Zurwelle et al.
D471,683 S 3/2003 Dyson et al.
D504,111 S 4/2005 Ozawa et al.
D504,394 S 4/2005 Cheung et al.
D575,224 S 8/2008 Taniguchi et al.
D577,163 S * 9/2008 Dyson et al. D32/21

1 Claim, 6 Drawing Sheets



(56)

References Cited

U.S. PATENT DOCUMENTS

8,302,250 B2 * 11/2012 Dyson et al. 15/327.1
D676,206 S 2/2013 Dyson et al.
8,387,204 B2 * 3/2013 Dyson 15/344
8,474,091 B2 7/2013 Dyson et al.
8,495,789 B2 7/2013 Nicolaou et al.
2009/0113663 A1 5/2009 Follows et al.
2010/0218338 A1 9/2010 McLeod
2010/0229321 A1 * 9/2010 Dyson et al. 15/344
2010/0242208 A1 9/2010 Gammack et al.
2011/0219571 A1 * 9/2011 Dyson et al. 15/344
2012/0272474 A1 11/2012 Follows et al.

2012/0284952 A1 11/2012 Horne
2012/0284954 A1 11/2012 Horne
2013/0160233 A1 6/2013 Peace et al.
2013/0205538 A1 * 8/2013 Thompson 15/344

OTHER PUBLICATIONS

Dyson et al., U.S. Office Action mailed Sep. 5, 2014, directed to U.S. Appl. No. 29/464,496; 6 pages.
Dyson et al., U.S. Office Action mailed Dec. 24, 2013, directed to U.S. Appl. No. 29/464,471, 8 pages.
Dyson et al., U.S. Office Action mailed Dec. 13, 2013, directed to U.S. Appl. No. 29/464,508, 8 pages.

* cited by examiner

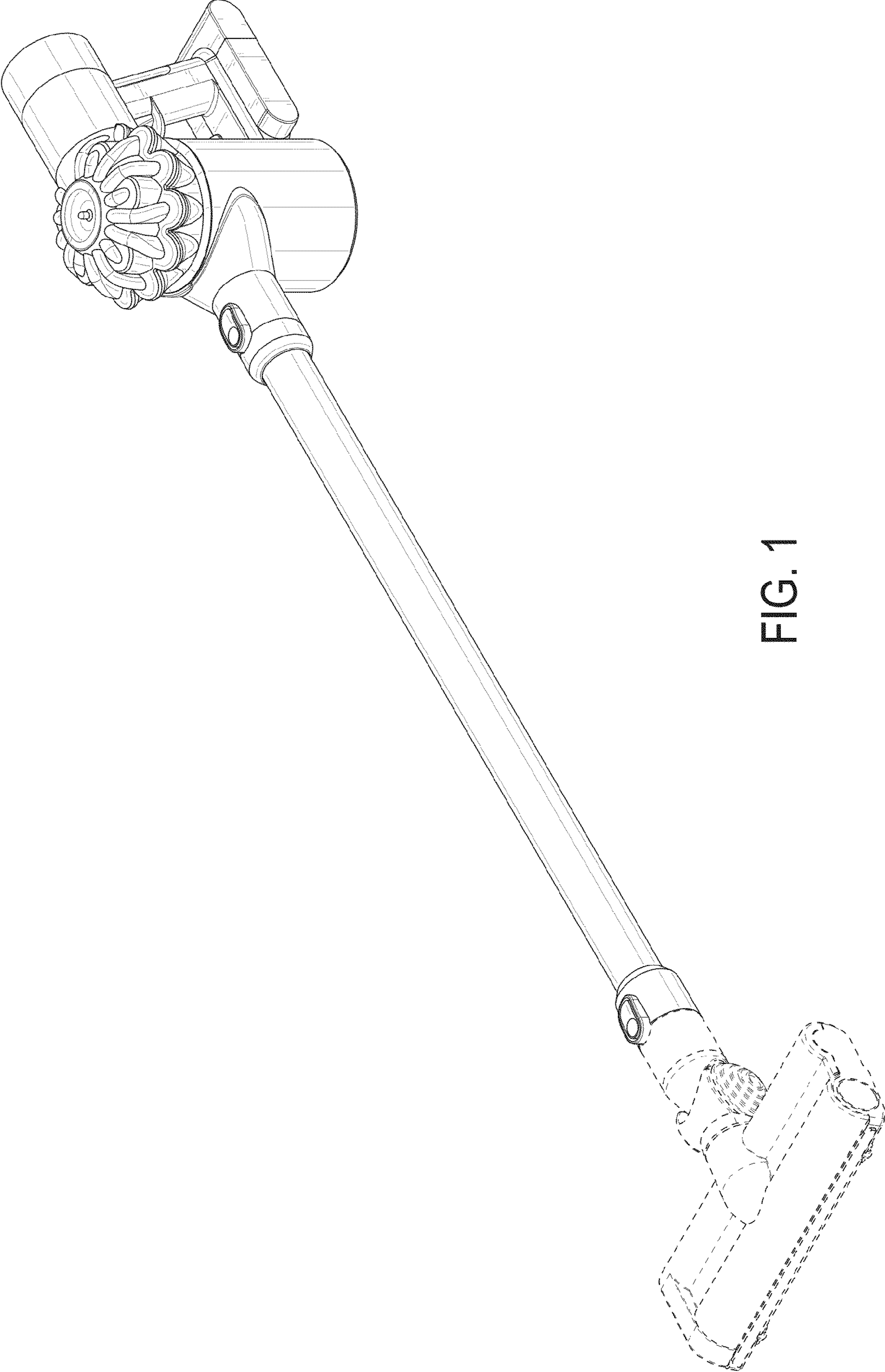


FIG. 1

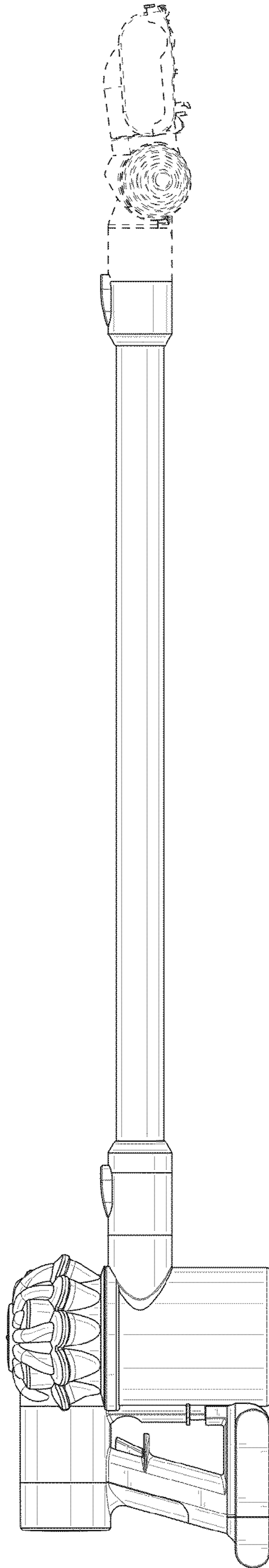


FIG. 2

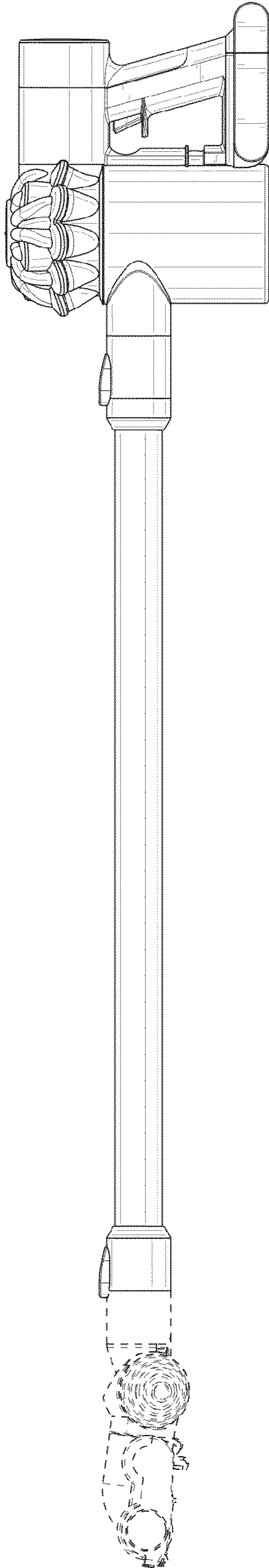


FIG. 3

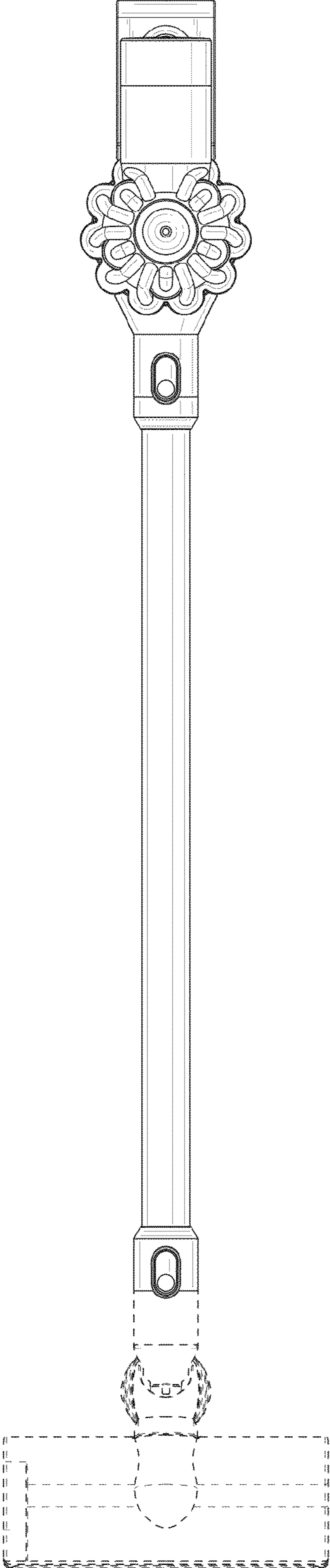


FIG. 4

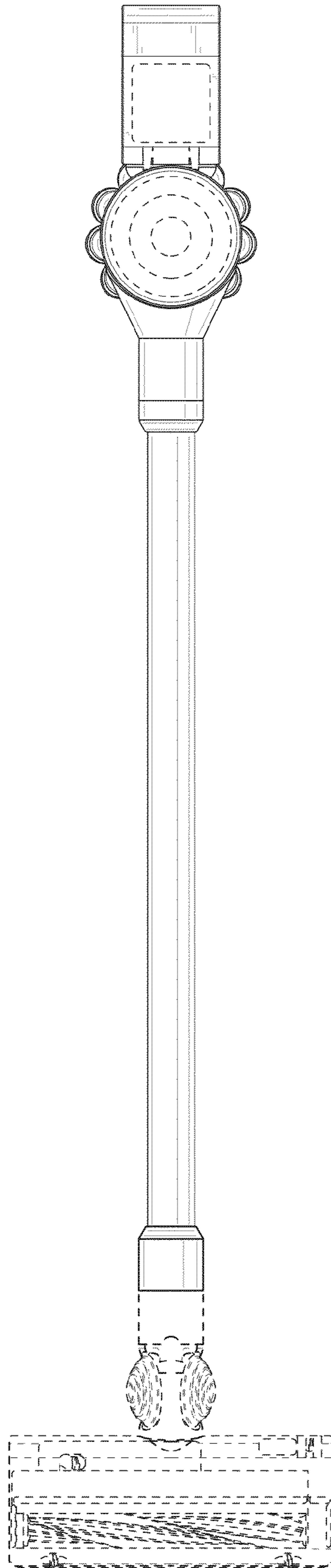


FIG. 5

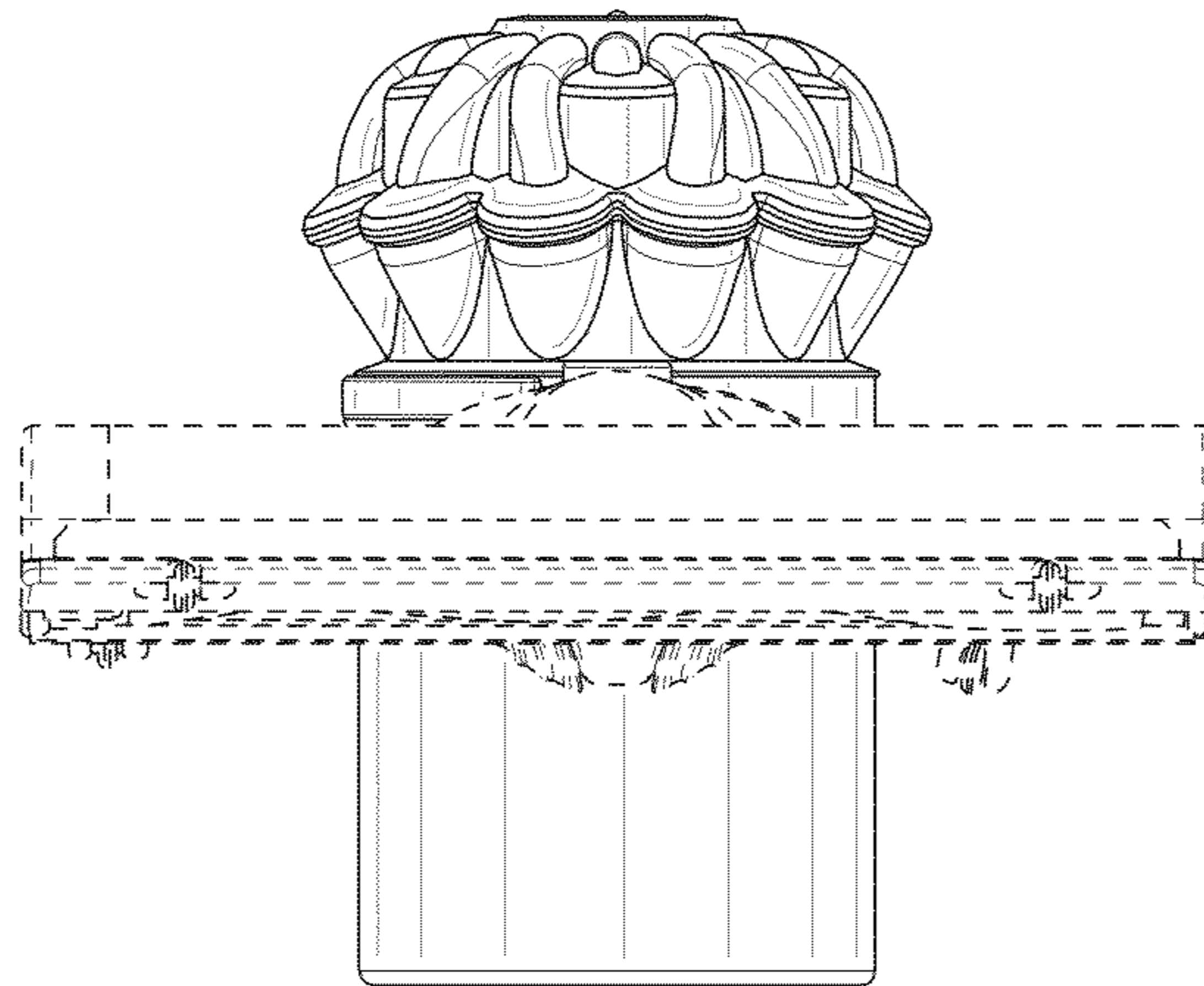


FIG. 6

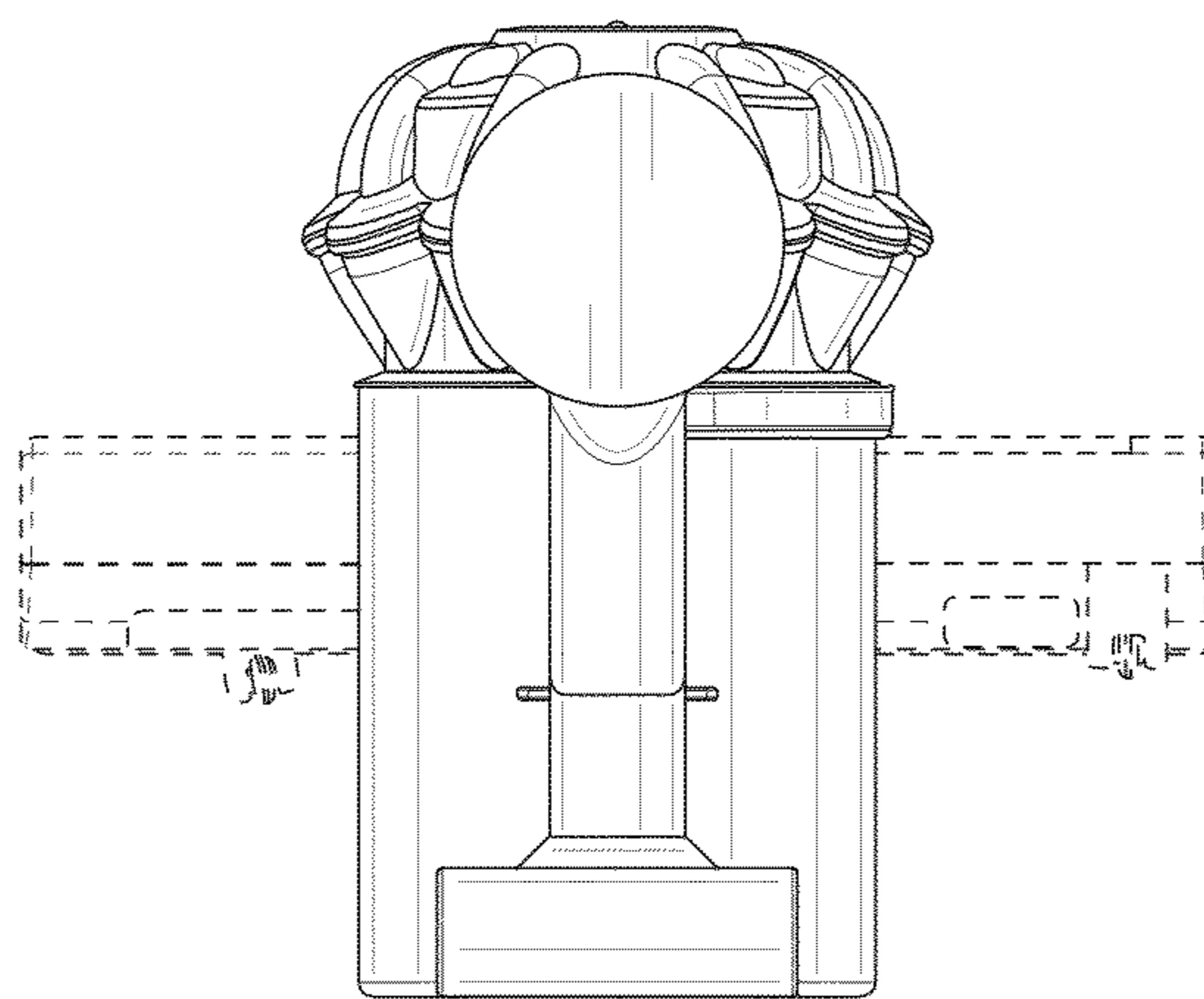


FIG. 7