



US00D731132S

(12) **United States Design Patent**
Ha et al.

(10) **Patent No.:** **US D731,132 S**
(45) **Date of Patent:** **** Jun. 2, 2015**

(54) **WASHING MACHINE**

(71) Applicant: **LG Electronics Inc.**, Seoul (KR)

(72) Inventors: **Youngsoo Ha**, Seoul (KR); **Jeaseok Seong**, Gyeonggi-do (KR); **Kyungah Lee**, Gyeonggi-do (KR); **Jonghee Han**, Gyeonggi-do (KR)

(73) Assignee: **LG Electronics Inc.**, Seoul (KR)

(**) Term: **14 Years**

(21) Appl. No.: **29/462,680**

(22) Filed: **Aug. 7, 2013**

(30) **Foreign Application Priority Data**

Feb. 7, 2013 (KR) 30-2013-0006875

(51) **LOC (10) Cl.** **15-05**

(52) **U.S. Cl.**
USPC **D32/28**

(58) **Field of Classification Search**
USPC D32/28, 3, 6, 25; D15/199; D13/162,
D13/162.1, 177; 68/12.02, 12.25, 3 R, 139,
68/212; D7/348, 351, 406; 34/87-88, 524
See application file for complete search history.

(56) **References Cited**

U.S. PATENT DOCUMENTS

2,256,637	A	*	9/1941	Anderson	439/877
D384,239	S	*	9/1997	Wilsdorf	D7/346
D429,640	S	*	8/2000	Nielsen et al.	D9/435
D468,160	S	*	1/2003	Staebler et al.	D7/407
D482,931	S	*	12/2003	Staebler et al.	D7/407
D575,240	S	*	8/2008	Landerholm et al.	D13/162
D582,862	S	*	12/2008	Landerholm et al.	D13/162
D603,343	S	*	11/2009	Mehnert et al.	D13/162
D645,001	S	*	9/2011	Margolin et al.	D13/162
D648,907	S	*	11/2011	Jeon et al.	D32/6

D663,908	S	*	7/2012	Jeon et al.	D32/6
D703,885	S	*	4/2014	Ha et al.	D32/6
D705,744	S	*	5/2014	Porter et al.	D13/177
D718,720	S	*	12/2014	Rader et al.	D13/162
D719,532	S	*	12/2014	Wu	D13/162
D724,036	S	*	3/2015	Cha et al.	D13/162

FOREIGN PATENT DOCUMENTS

CN	3558743	*	9/2006
CN	300815994	*	8/2008

OTHER PUBLICATIONS

Samsung WW9000 10kg Touchscreen Washing Machine, copyright 2015, online, <http://www.samsung.com/...r/home-appliances/laundry/washing-machines/WW10H9600EX/EU?subsubtype=eco-bubble-vrttm>, [site visited Mar. 10, 2015 6:15:52 PM].*

(Continued)

Primary Examiner — John Yeh

(74) *Attorney, Agent, or Firm* — Morgan, Lewis & Bockius LLP

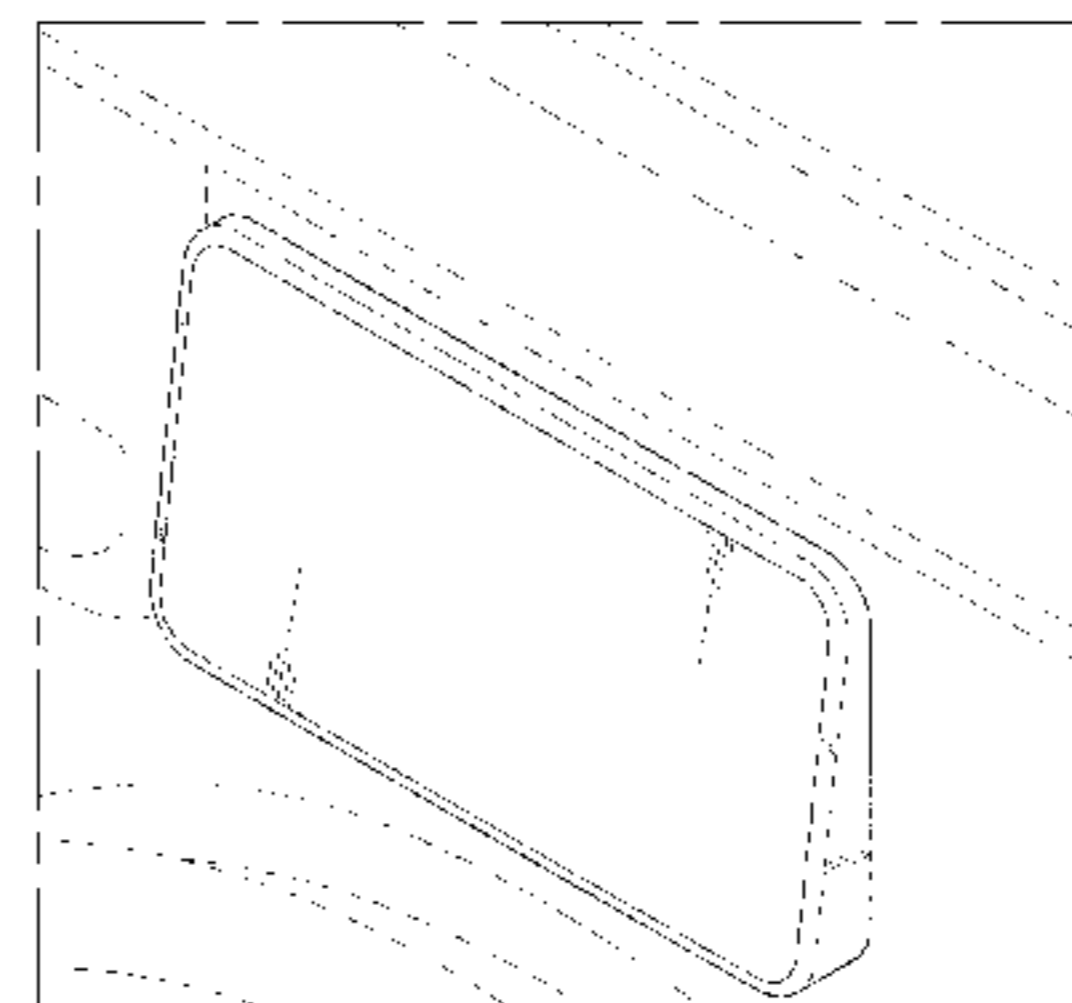
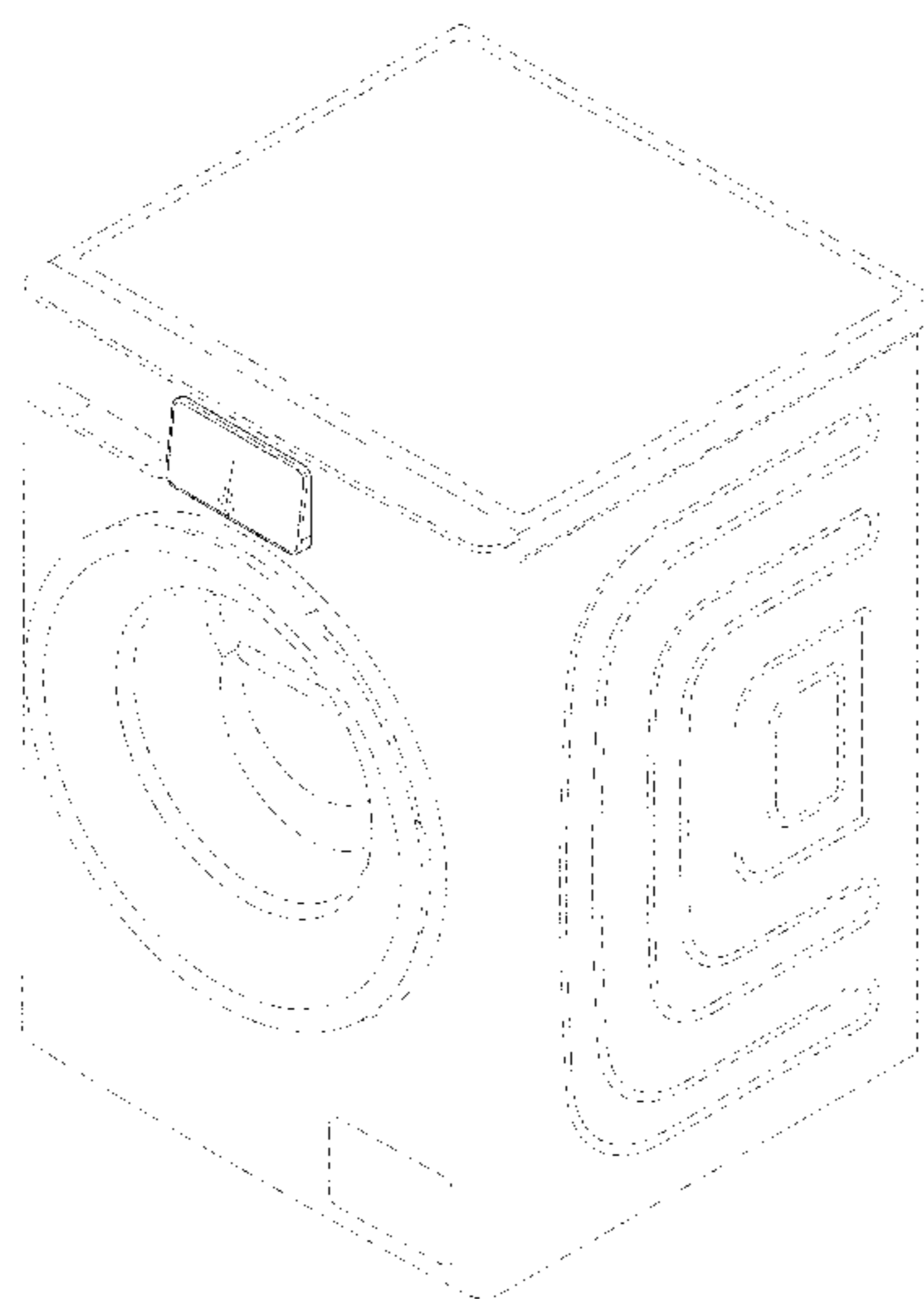
(57) **CLAIM**

The ornamental design for a washing machine, as shown and described.

DESCRIPTION

FIG. 1 is a perspective view of a washing machine showing our new design;
FIG. 2 is a front view thereof;
FIG. 3 is a rear view thereof;
FIG. 4 is a left side view thereof;
FIG. 5 is a right side view thereof;
FIG. 6 is a top plan view thereof;
FIG. 7 is a bottom plan view thereof; and,
FIG. 8 is an enlarged view of the claimed part.
The broken lines are for illustrative purposes only and form no part of the claimed design.

1 Claim, 8 Drawing Sheets



(56)

References Cited

OTHER PUBLICATIONS

Community Design No. 000175930-0001, dishwasher, Nov. 14, 2006.

Community Design No. 000175930-0002, dishwasher, Nov. 14, 2006.

* cited by examiner

FIG. 1

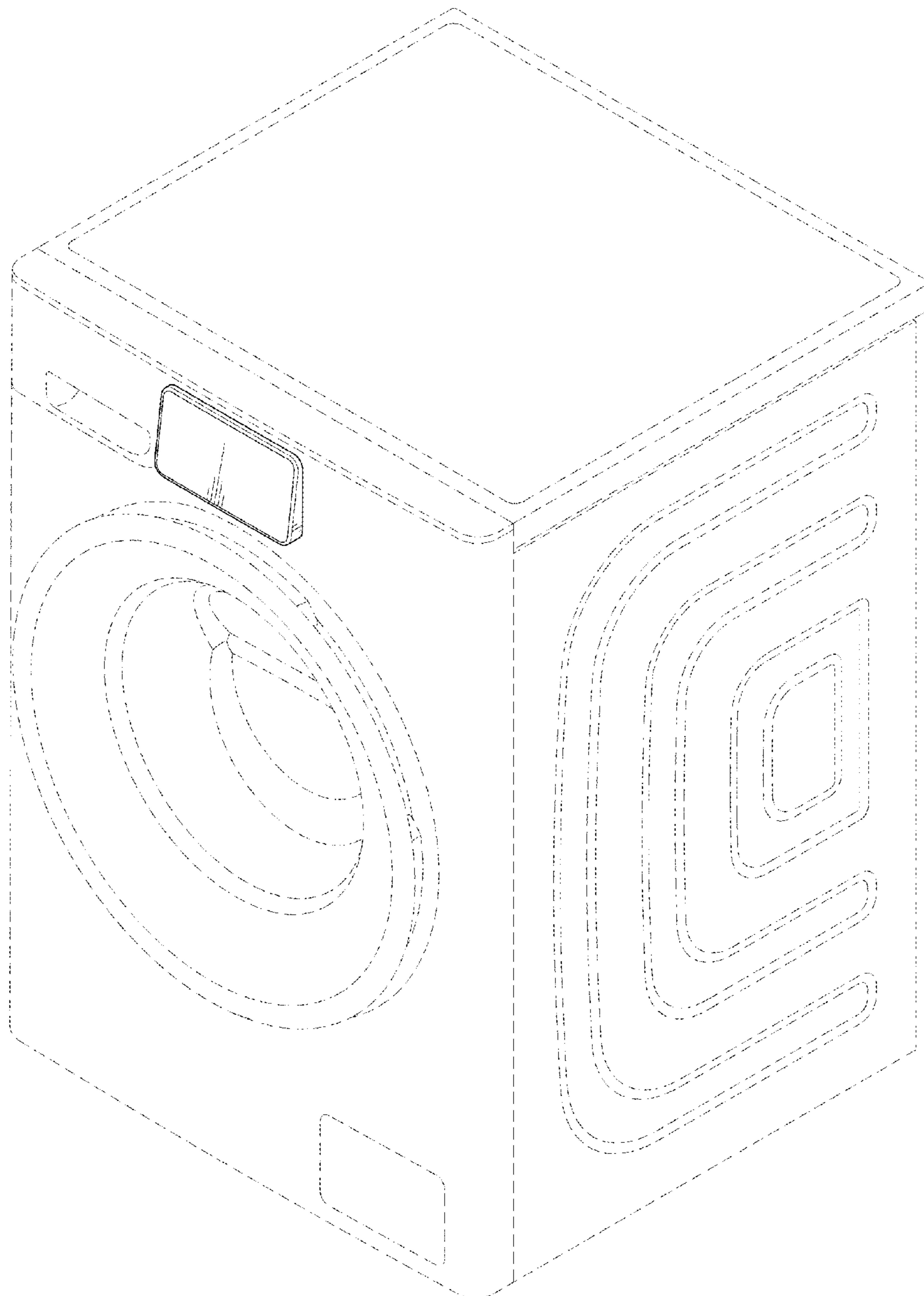


FIG. 2

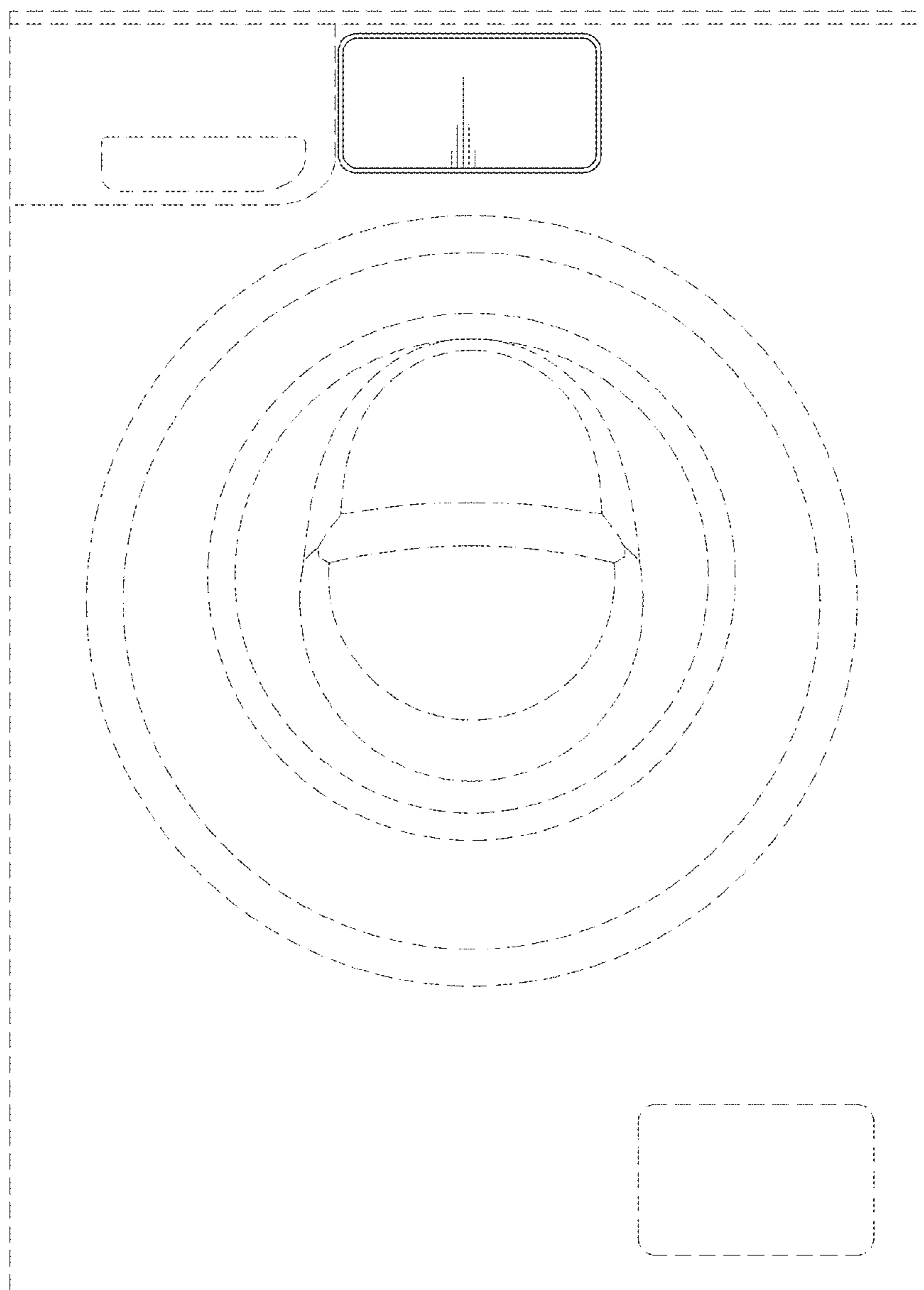


FIG. 3



FIG. 4

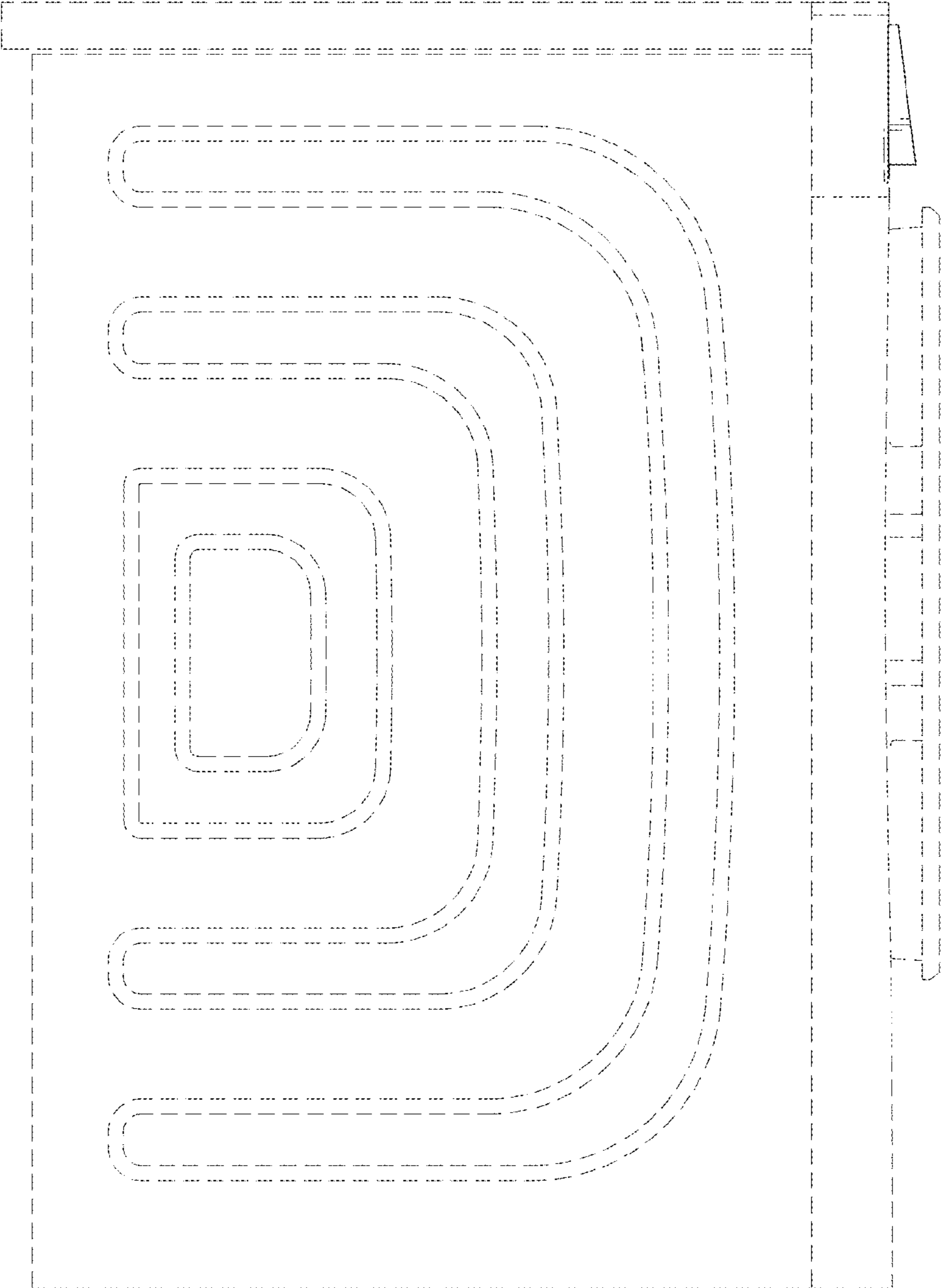


FIG. 5

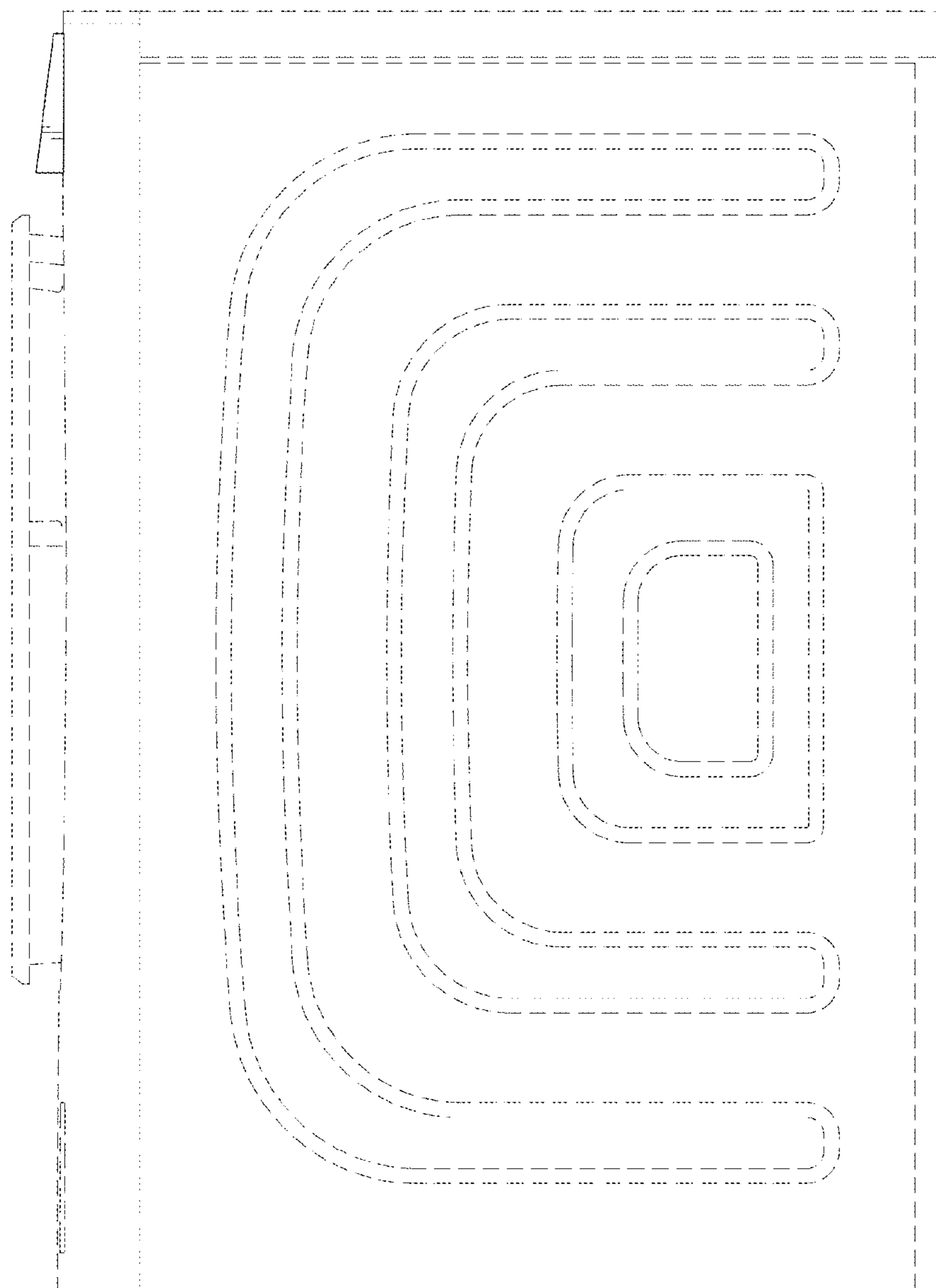


FIG. 6

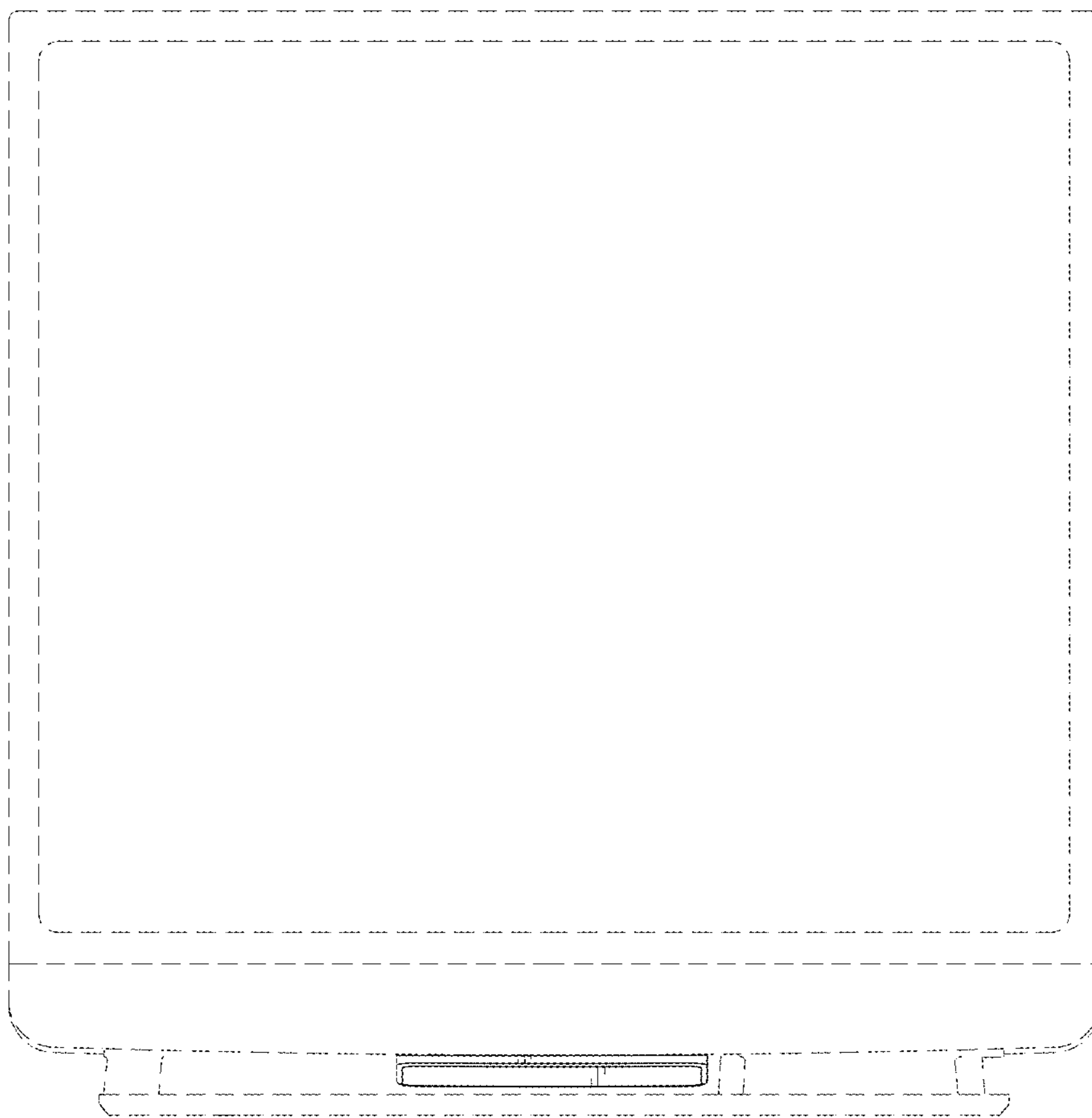


FIG. 7

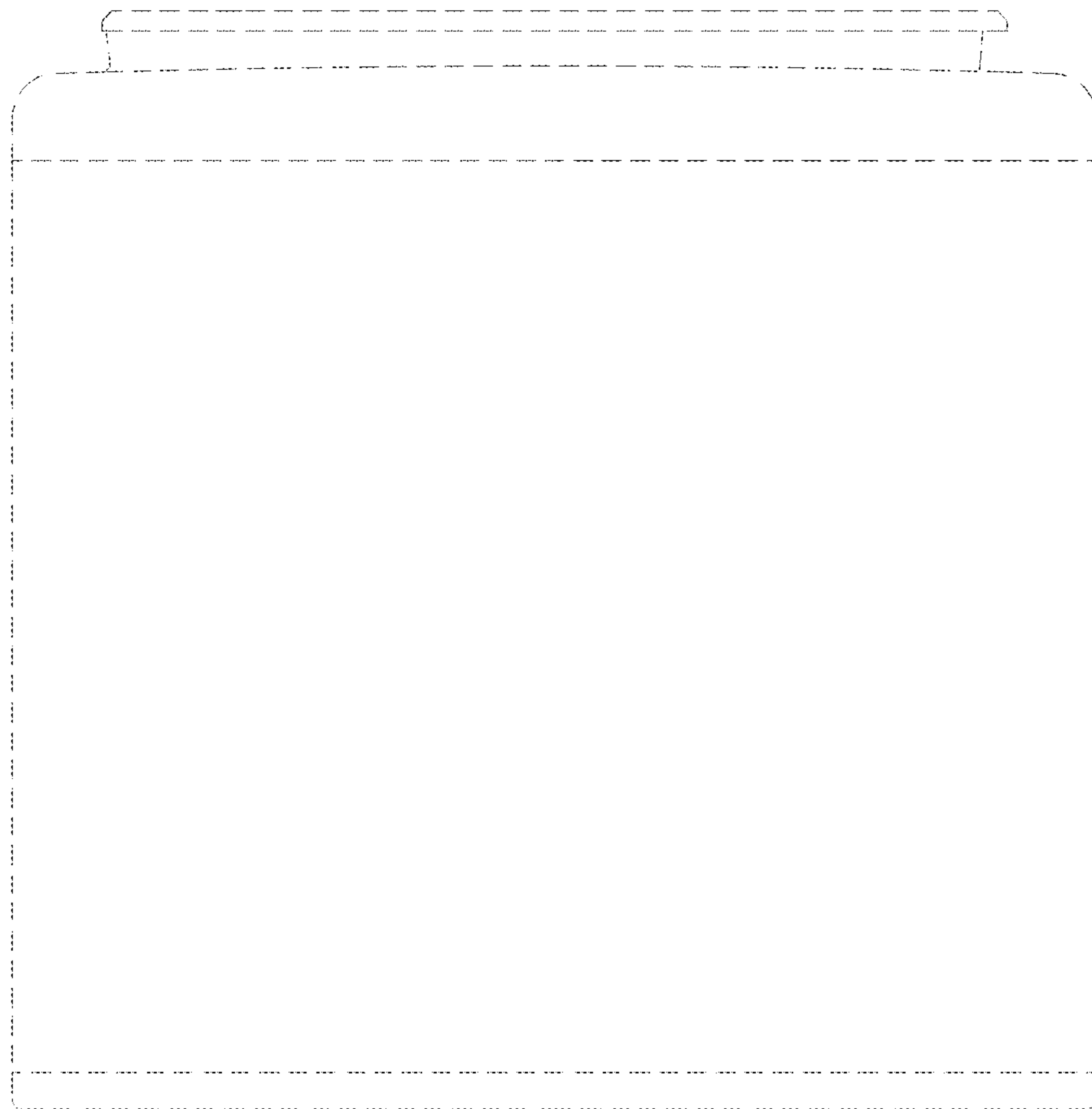


FIG. 8

