

US00D731129S

(12) **United States Design Patent**
Ha et al.

(10) **Patent No.:** **US D731,129 S**
(45) **Date of Patent:** **** Jun. 2, 2015**

(54) **WASHING MACHINE**

(71) Applicant: **LG Electronics Inc.**, Seoul (KR)

(72) Inventors: **Youngsoo Ha**, Seoul (KR); **Jonghee Han**, Gyeonggi-do (KR); **Jeaseok Seong**, Gyeonggi-do (KR); **On Kim**, Seoul (KR); **Hyerim An**, Seoul (KR); **Kyungah Lee**, Gyeonggi-do (KR)

(73) Assignee: **LG Electronics Inc.**, Seoul (KR)

(**) Term: **14 Years**

(21) Appl. No.: **29/464,638**

(22) Filed: **Aug. 20, 2013**

(30) **Foreign Application Priority Data**

May 9, 2013 (KR) 30-2013-0024619

(51) **LOC (10) Cl.** **15-05**

(52) **U.S. Cl.**
USPC **D32/6**

(58) **Field of Classification Search**
USPC D32/6, 25, 5, 8; 68/3 R, 5 R, 12, 12.08;
34/523, 524; 312/31; 38/1 A
See application file for complete search history.

(56) **References Cited**

U.S. PATENT DOCUMENTS

D456,572 S *	4/2002	Resuello et al.	D32/6
D457,991 S *	5/2002	Baldwin et al.	D32/6
D459,844 S *	7/2002	Baldwin et al.	D32/6
D496,709 S *	9/2004	Suh et al.	D32/6
D517,258 S *	3/2006	Ha et al.	D32/6
D517,259 S *	3/2006	Ha et al.	D32/6
D518,251 S *	3/2006	Kwon et al.	D32/6
D518,256 S *	3/2006	Kim et al.	D32/25
D519,248 S *	4/2006	Kim et al.	D32/6
D520,194 S *	5/2006	Kwon et al.	D32/6
D523,595 S *	6/2006	Carey et al.	D32/6
D524,001 S *	6/2006	Carey et al.	D32/6
D528,712 S *	9/2006	Ha et al.	D32/6
D544,658 S *	6/2007	Kim et al.	D32/6

D549,894 S *	8/2007	Wilday	D32/6
D550,907 S *	9/2007	Jeon et al.	D32/6
D551,401 S *	9/2007	Jeon et al.	D32/6
D589,661 S *	3/2009	Oh et al.	D32/6
D595,908 S *	7/2009	Park et al.	D32/6
7,624,600 B2 *	12/2009	Sunshine et al.	68/3 R
D618,866 S *	6/2010	Lee	D32/6

(Continued)

FOREIGN PATENT DOCUMENTS

CN	300997794	*	9/2009
KR	300286086.0000	*	12/2001

OTHER PUBLICATIONS

Super Mom Smashes Washing Machine After Realizing Her Daughter is Inside, Announced Nov. 9, 2011, [Site Visited Jan. 12, 2015] <http://www.mommyish.com/2011/11/09/mother-washing-machine-saves-daughter-603/>.*

(Continued)

Primary Examiner — John Windmuller

Assistant Examiner — Luqman McNeil

(74) *Attorney, Agent, or Firm* — Morgan, Lewis & Bockius LLP

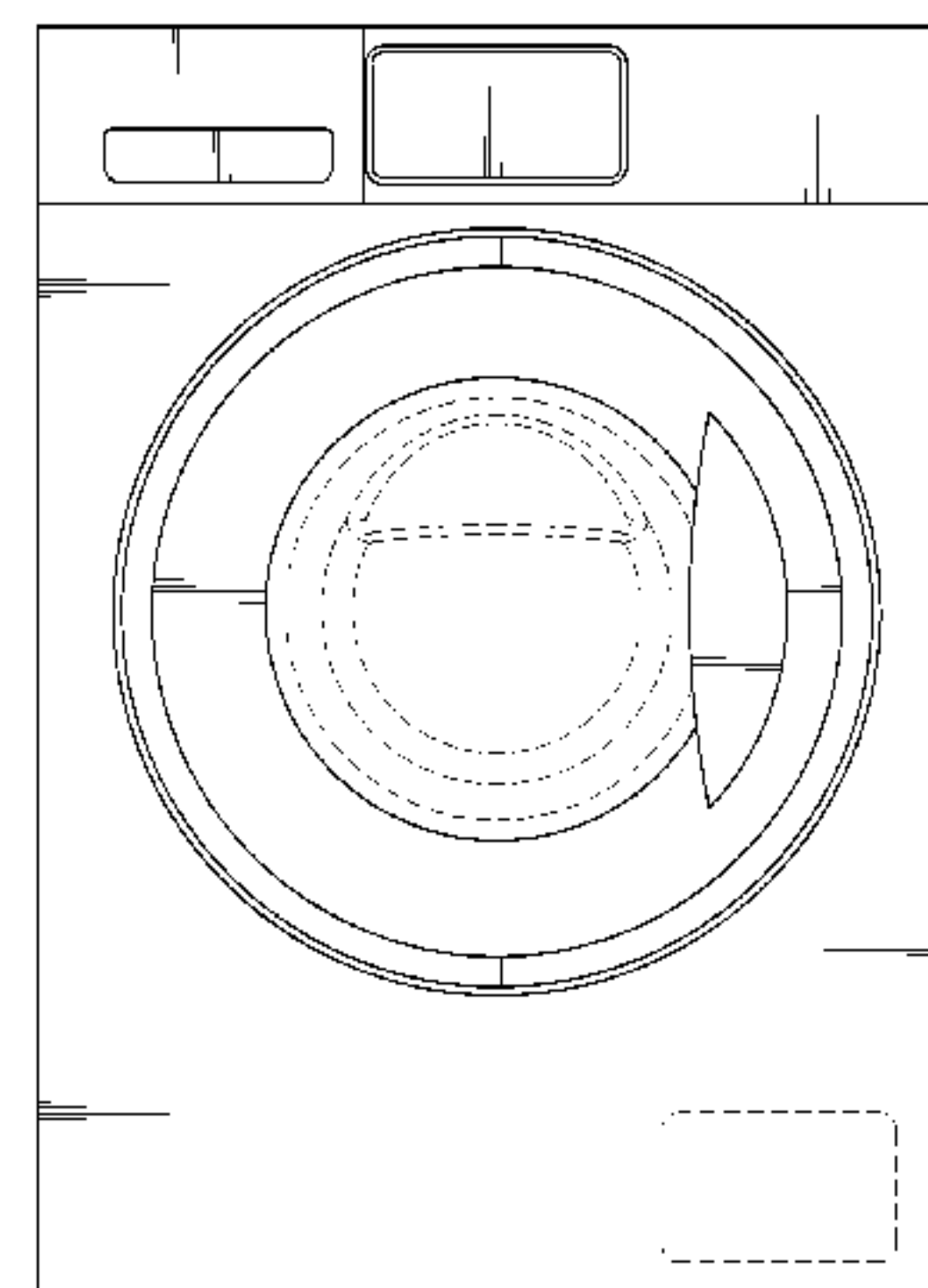
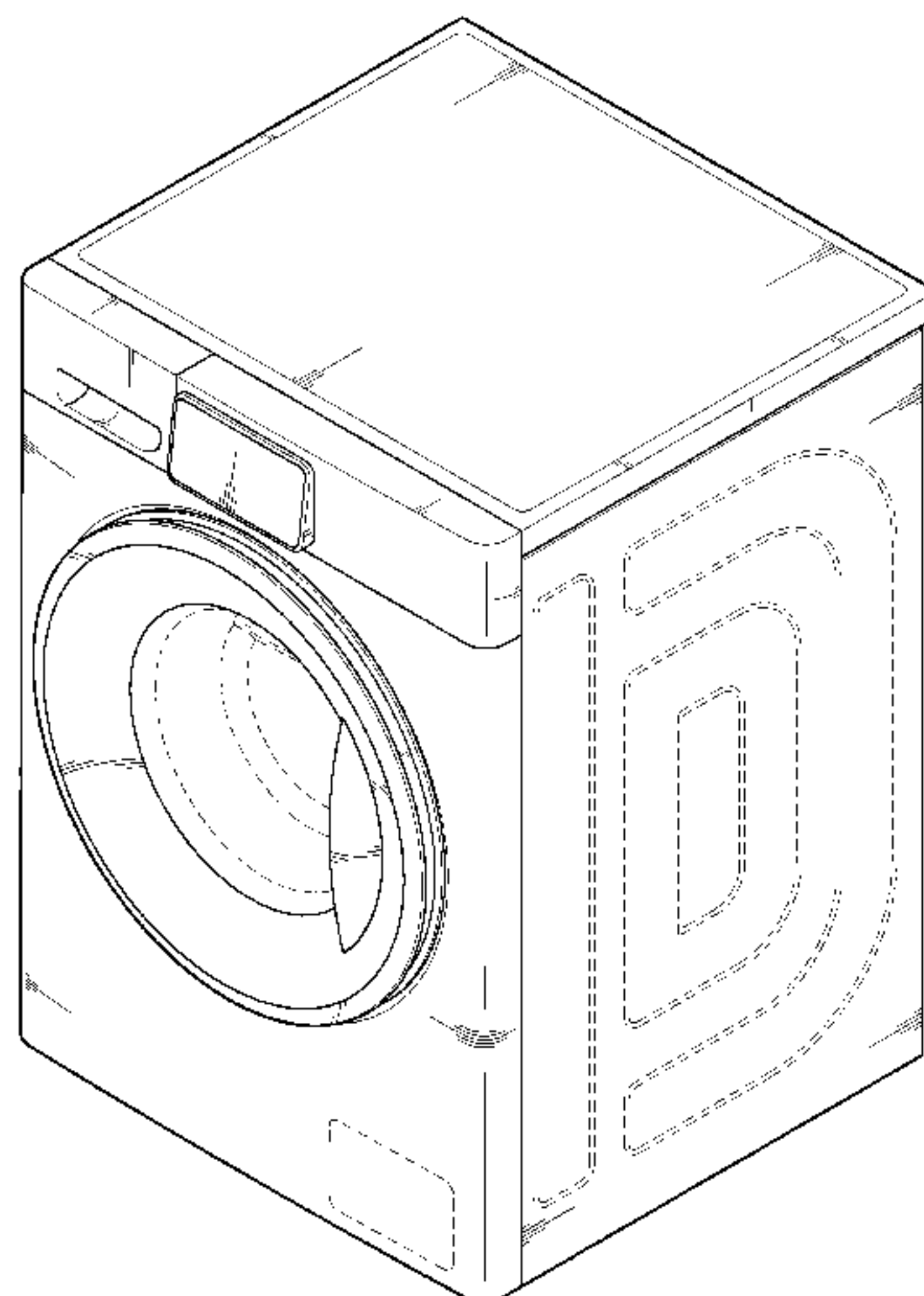
(57) **CLAIM**

The ornamental design for a washing machine, as shown and described.

DESCRIPTION

FIG. 1 is a perspective view of a washing machine showing our new design;
FIG. 2 is a front view thereof;
FIG. 3 is a rear view thereof;
FIG. 4 is a left side view thereof;
FIG. 5 is a right side view thereof;
FIG. 6 is a top plan view thereof; and,
FIG. 7 is a bottom plan view thereof.
The broken lines are for illustrative purposes only and form no part of the claimed design.

1 Claim, 7 Drawing Sheets



(56)

References Cited

U.S. PATENT DOCUMENTS

D626,299 S * 10/2010 Lee et al. D32/6
D653,822 S * 2/2012 Geyer et al. D32/6
D659,307 S * 5/2012 Geyer et al. D32/6

OTHER PUBLICATIONS

AEG Protex—Weilded tub?, Announced Sep. 3, 2011, [Site Visited Jan. 12, 2015] <http://www.automaticwasher.org/cgi-bin/TD/TD-VIEWTHREAD.cgi?36229>.*

Appliance Doctor NJ Washer and Dryer Repair, Announced Jul. 1, 2010, [Site Visited Jan. 12, 2010] <http://appliancerepairprincetonj.info/washer-and-dryer-repair/>.*

Samsung Washing Machine Price List, Announced Oct. 11, 2011, [Site Visited Jan. 15, 2015] <http://priceinfoworld.com/electronics/samsung-washing-machine-price-in-india>.*

V-Zug Adora SLQ Washer, Announced Jul. 20, 2011, [Site Visited Jan. 23, 2015] http://housedesignnewsworld.blogspot.com/2011/07/homeditcom-interior-design-architecture_20.html.*

* cited by examiner

FIG. 1

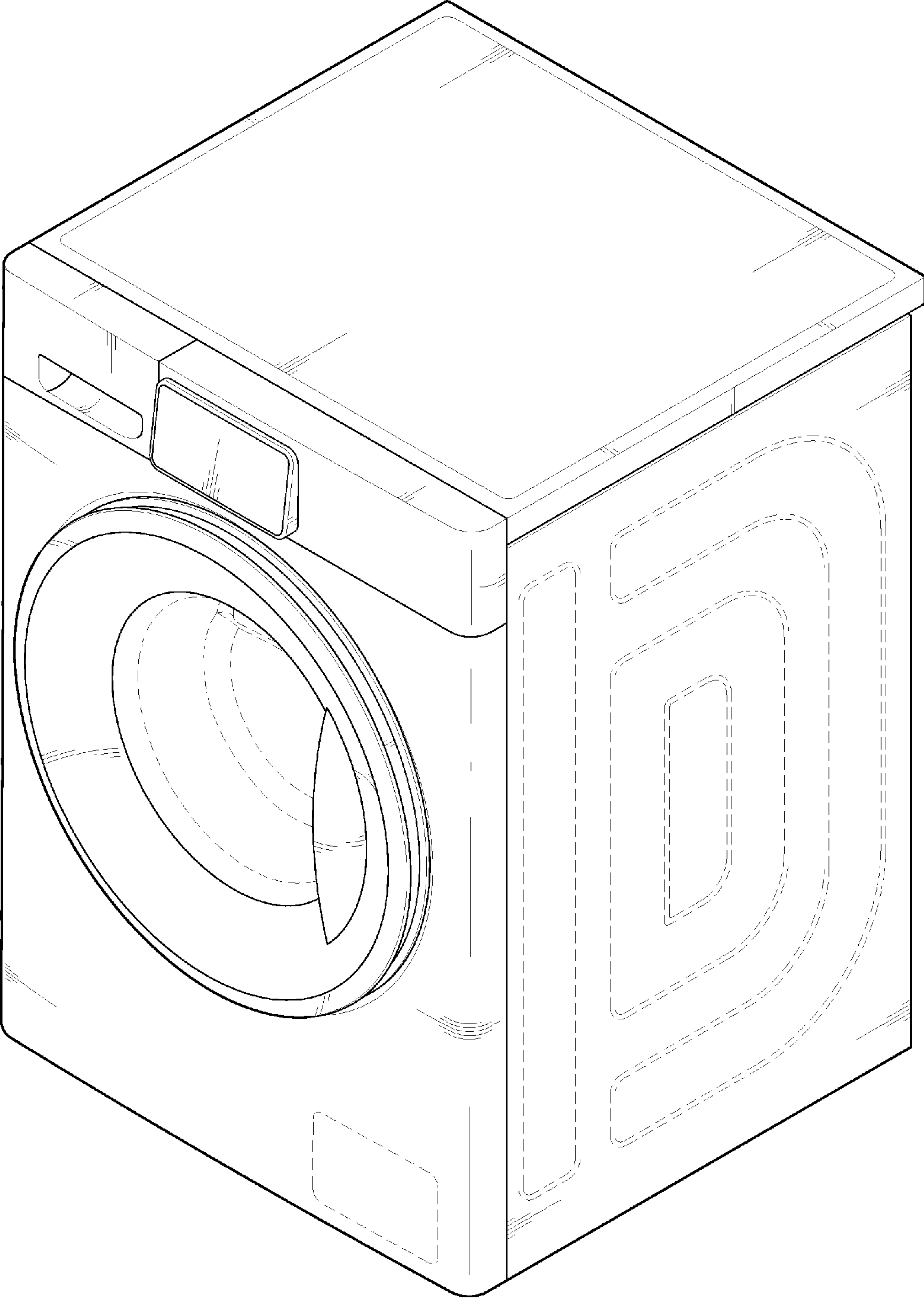


FIG. 2

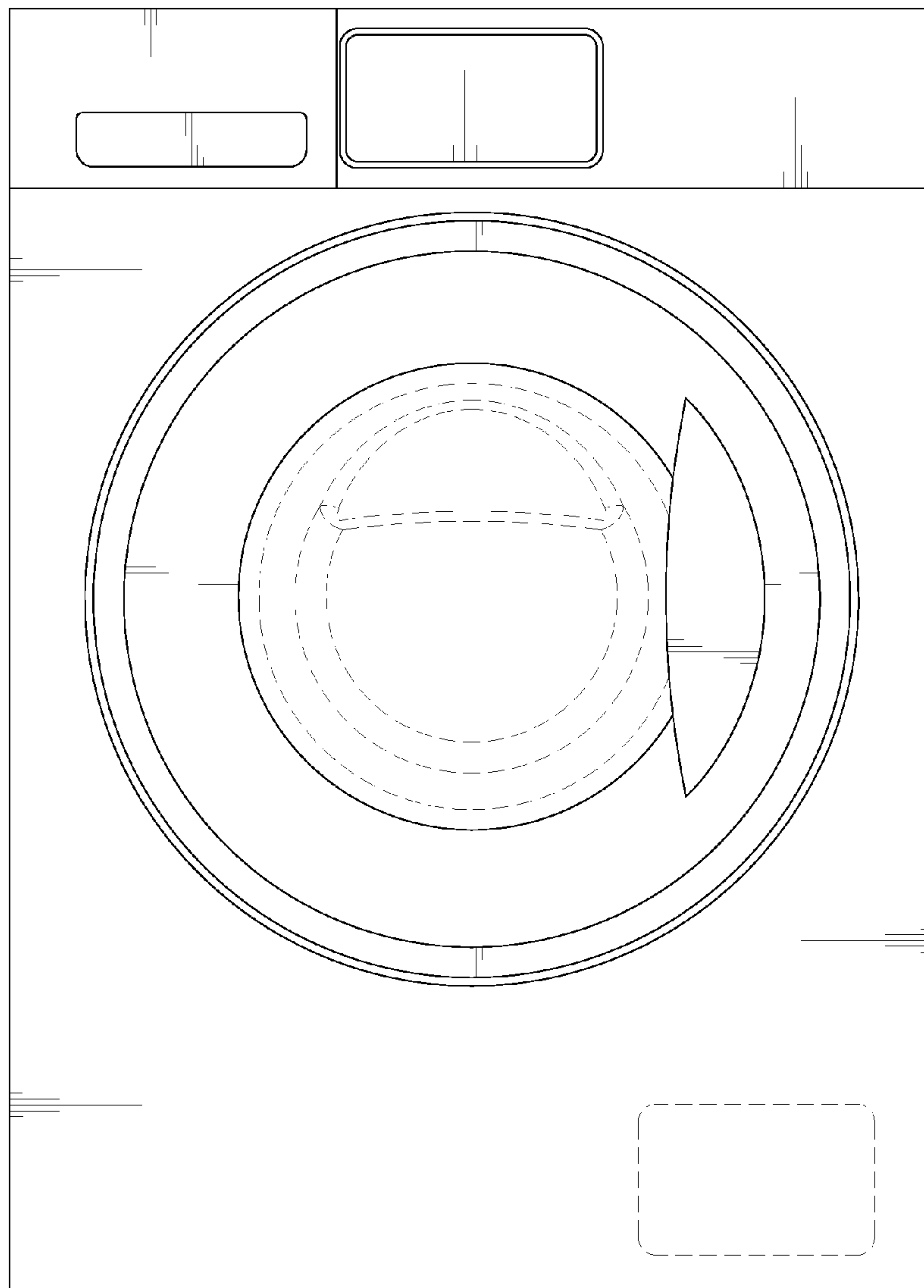


FIG. 3

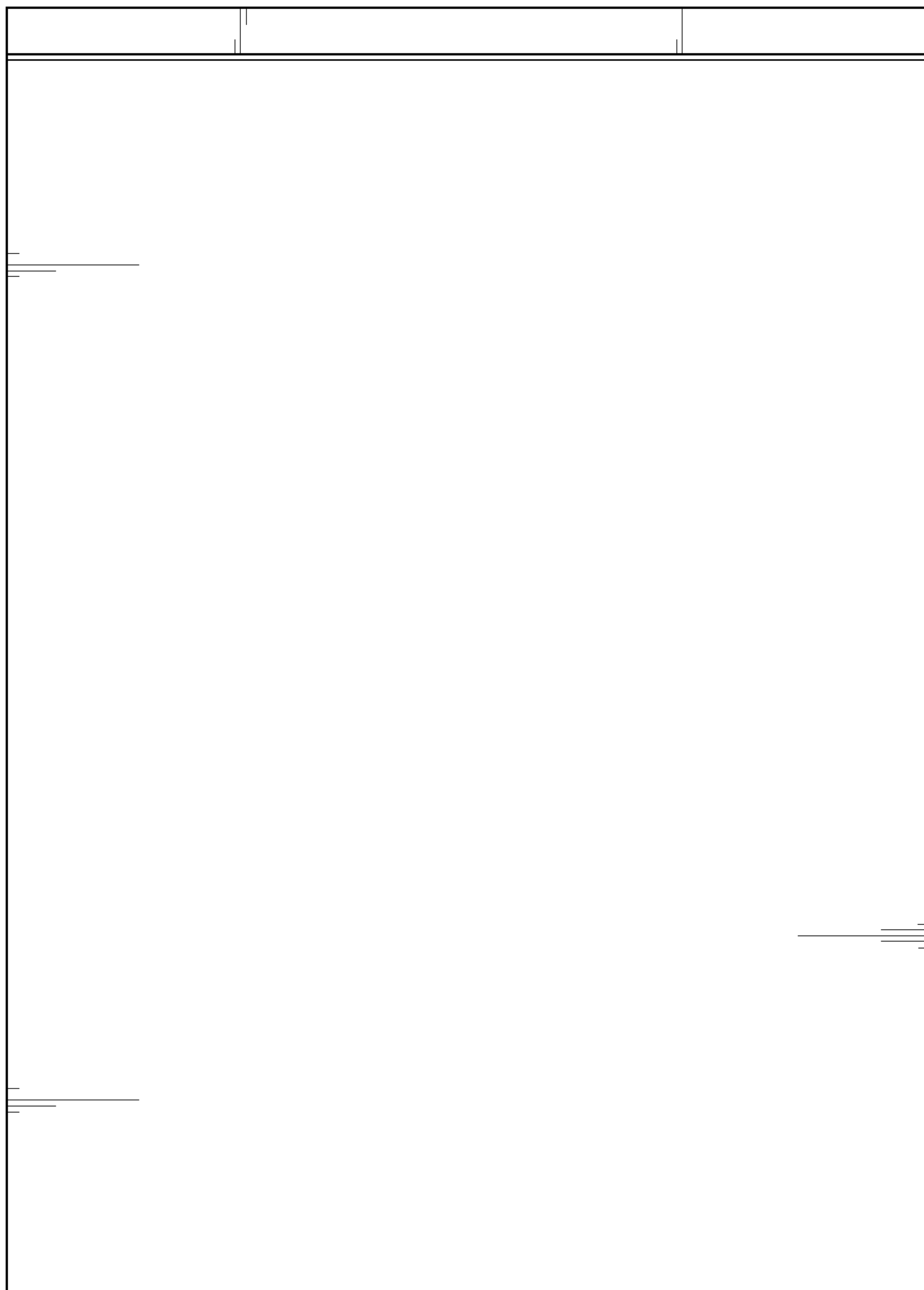


FIG. 4

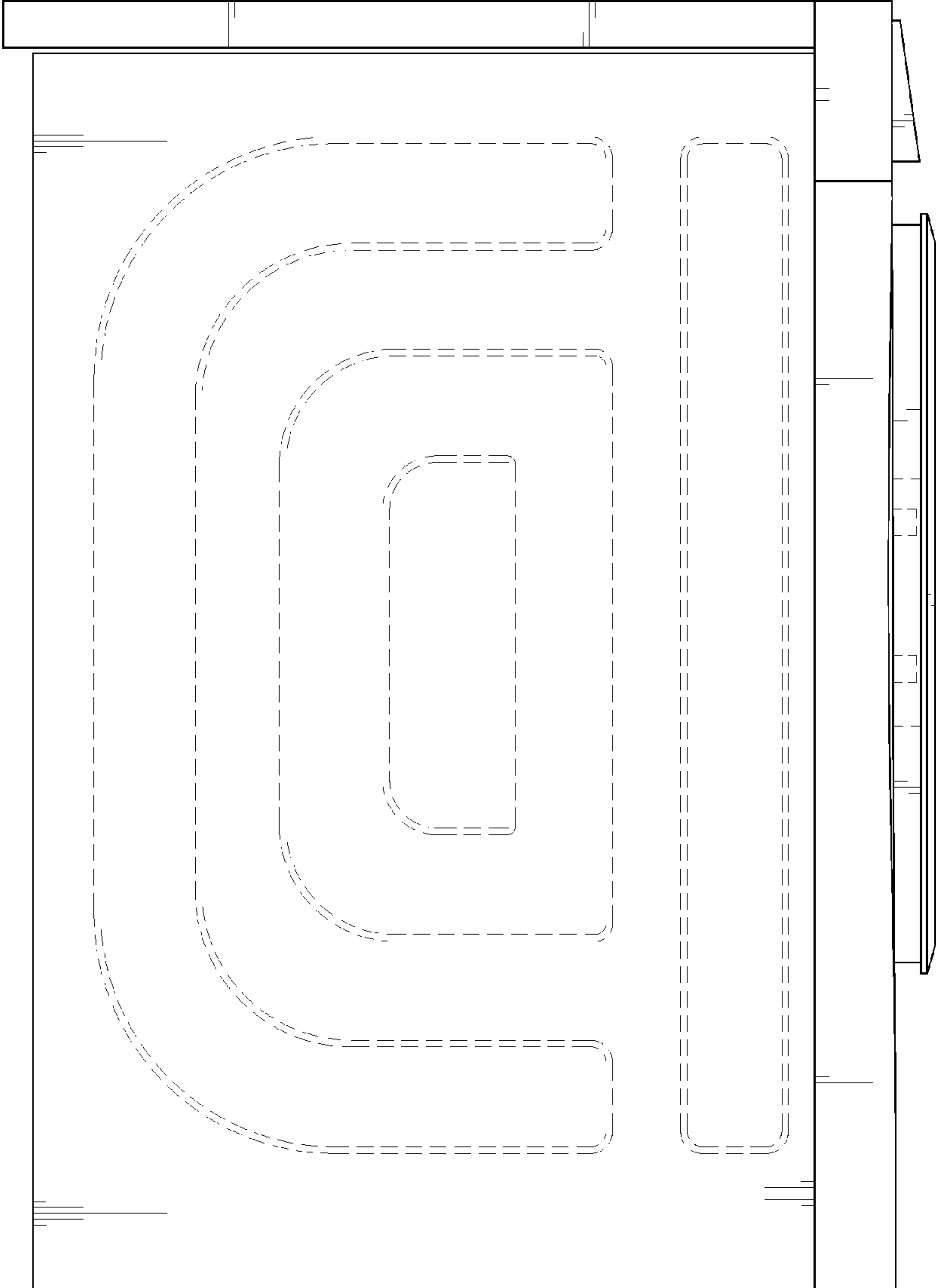


FIG. 5

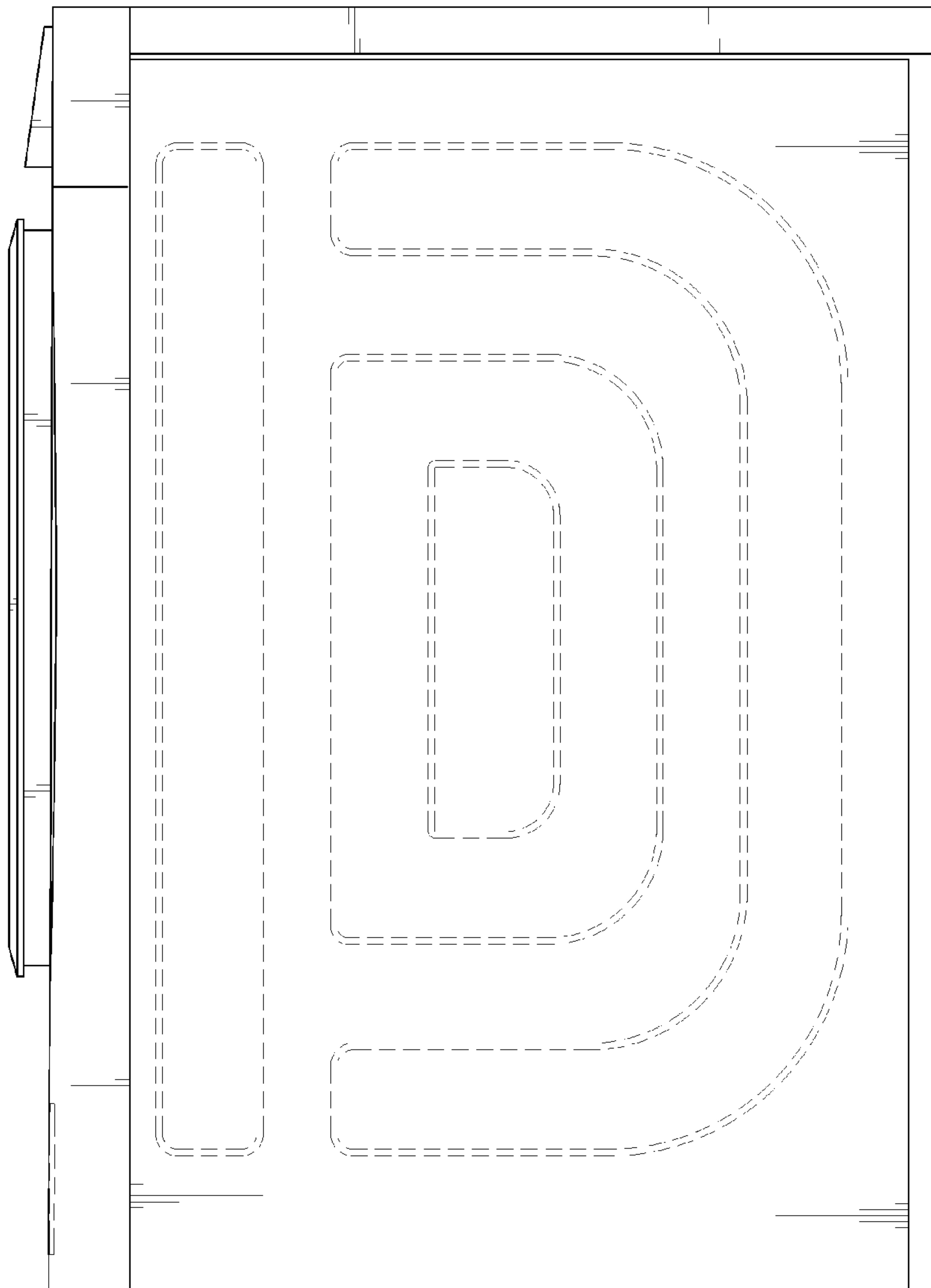


FIG. 6

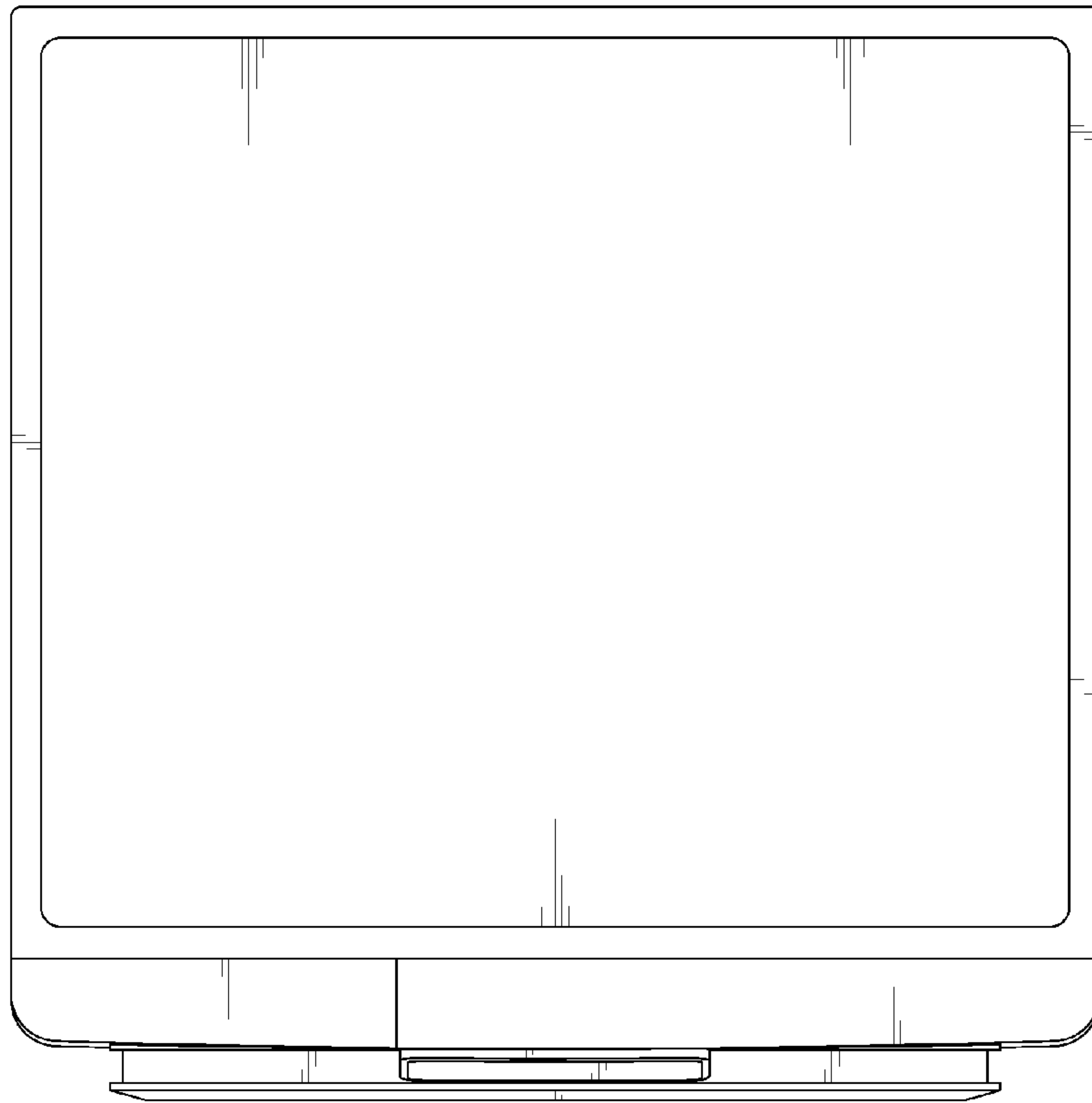


FIG. 7

