



US00D731127S

(12) **United States Design Patent**  
**Ha et al.**

(10) **Patent No.:** **US D731,127 S**  
(45) **Date of Patent:** **\*\* \*Jun. 2, 2015**

(54) **WASHING MACHINE**

(71) Applicant: **LG Electronics Inc.**, Seoul (KR)

(72) Inventors: **Youngsoo Ha**, Seoul (KR); **Jonghee Han**, Gyeonggi-do (KR); **Jeaseok Seong**, Gyeonggi-do (KR); **On Kim**, Seoul (KR); **Hyerim An**, Seoul (KR); **Kyungah Lee**, Gyeonggi-do (KR)

(73) Assignee: **LG Electronics Inc.**, Seoul (KR)

(\*) Notice: This patent is subject to a terminal disclaimer.

(\*\*) Term: **14 Years**

(21) Appl. No.: **29/464,635**

(22) Filed: **Aug. 20, 2013**

(30) **Foreign Application Priority Data**

May 9, 2013 (KR) ..... 30-2013-0024616

(51) **LOC (10) Cl.** ..... **15-05**

(52) **U.S. Cl.**  
USPC ..... **D32/6**

(58) **Field of Classification Search**  
USPC ..... D32/6, 8, 25, 5, 1, 10, 12, 28; 34/58, 34/108, 139, 523, 524, 595, 596, 602, 34/603; 68/3 R, 5 R, 4, 12.01, 12.07, 12.08, 68/12.12, 12.26, 12.27, 13 R, 16, 24, 28  
See application file for complete search history.

(56) **References Cited**

**U.S. PATENT DOCUMENTS**

D457,991 S *	5/2002	Baldwin et al.	.....	D32/6
D457,992 S *	5/2002	Baldwin et al.	.....	D32/6
D459,844 S *	7/2002	Baldwin et al.	.....	D32/6
D495,453 S *	8/2004	Baldwin et al.	.....	D32/8
D496,709 S *	9/2004	Suh et al.	.....	D32/6

D502,577 S *	3/2005	Baldwin et al.	.....	D32/6
D517,255 S *	3/2006	Kim et al.	.....	D32/5
D517,257 S *	3/2006	Kim et al.	.....	D32/6
D517,258 S *	3/2006	Ha et al.	.....	D32/6
D517,259 S *	3/2006	Ha et al.	.....	D32/6
D518,251 S *	3/2006	Kwon et al.	.....	D32/6
D518,256 S *	3/2006	Kim et al.	.....	D32/25

(Continued)

**FOREIGN PATENT DOCUMENTS**

JP	D1159293	*	11/2002
KR	300414343	*	5/2006

**OTHER PUBLICATIONS**

Samsung Washing Machine Price List, Announced Oct. 11, 2011, [Site Visited Jan. 21, 2015] <http://priceinfoworld.com/electronics/samsung-washing-machine-price-in-india>.\*

(Continued)

*Primary Examiner* — John Windmuller

*Assistant Examiner* — Luqman McNeil

(74) *Attorney, Agent, or Firm* — Morgan, Lewis & Bockius LLP

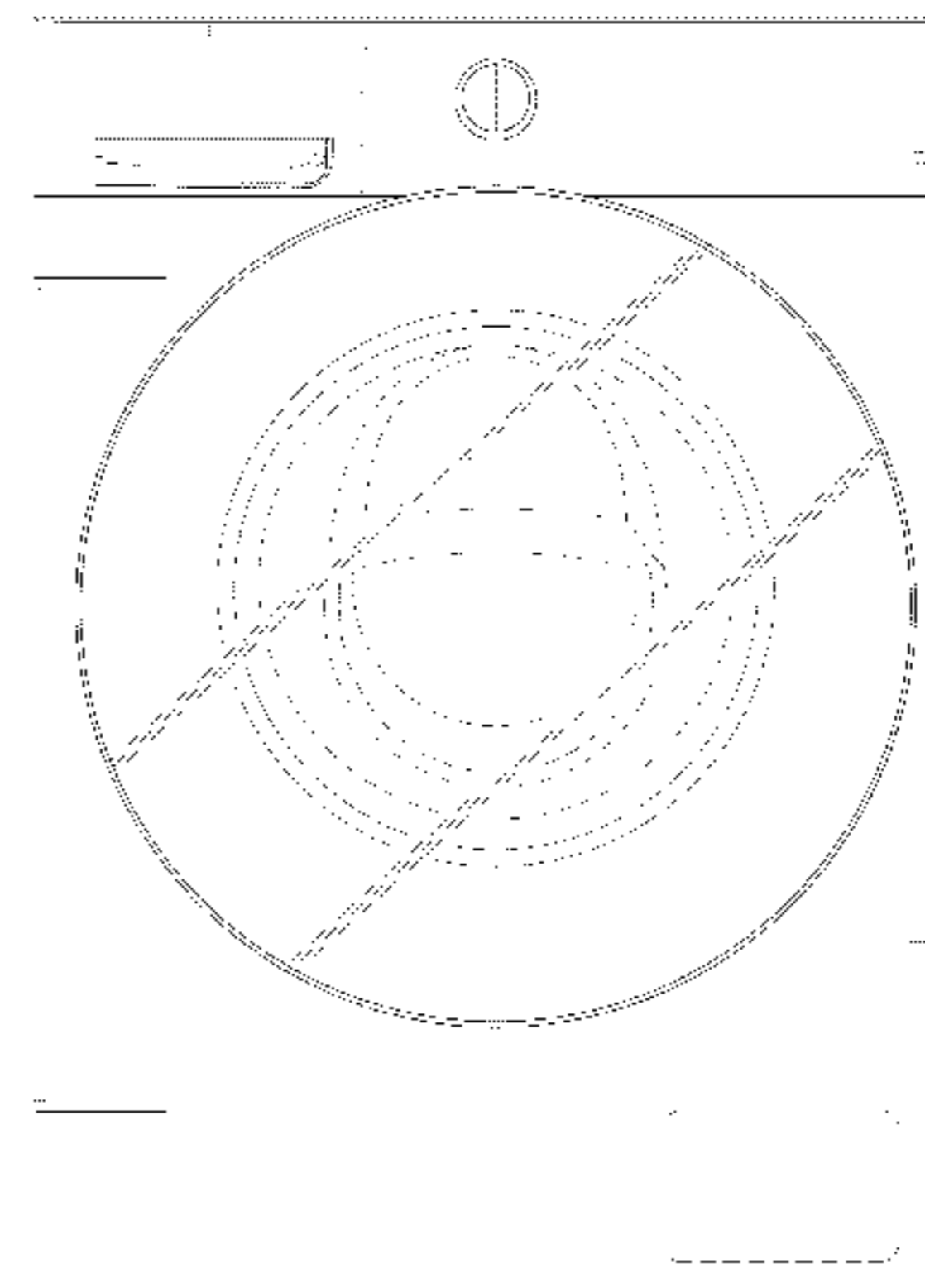
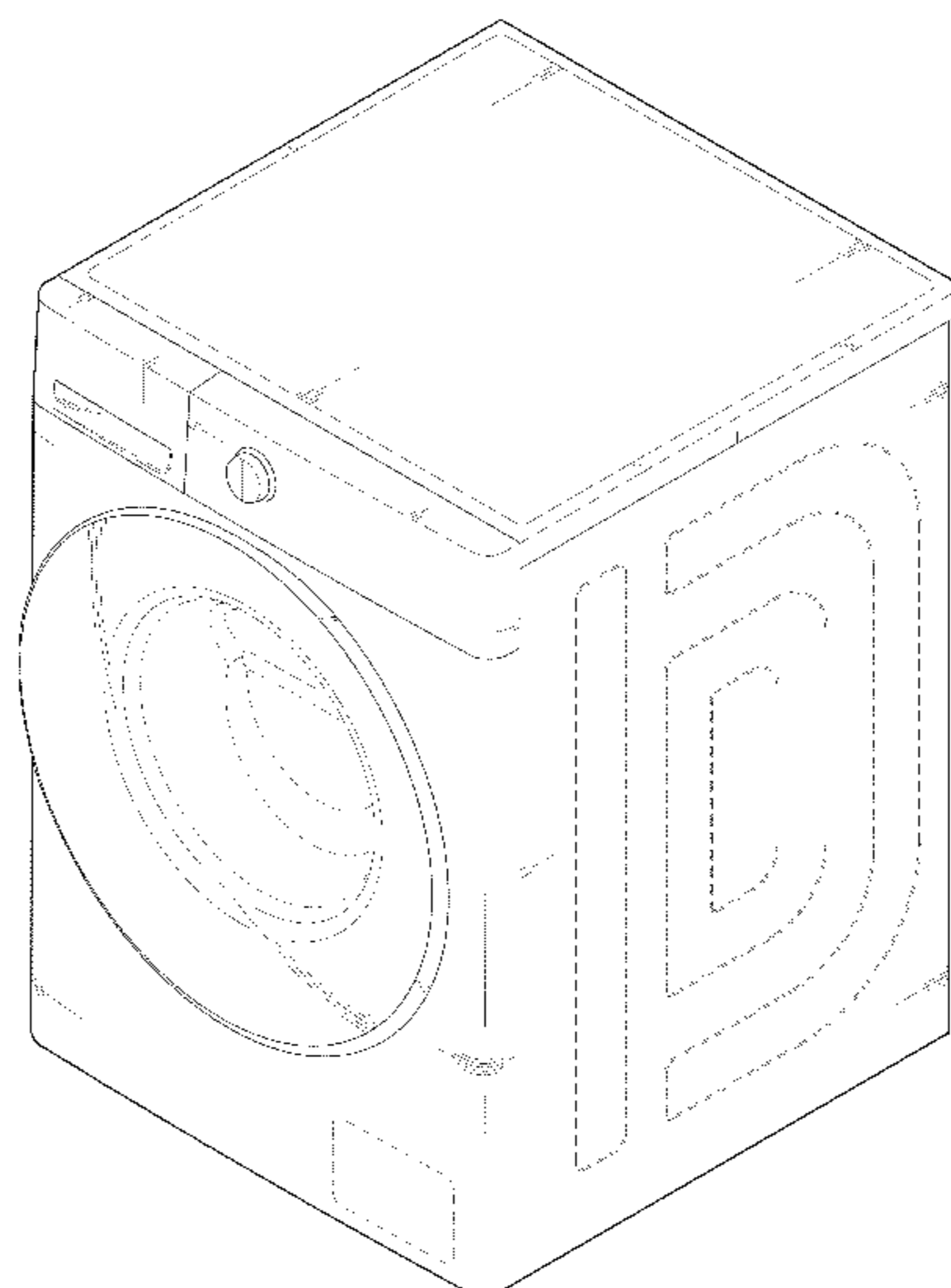
(57) **CLAIM**

The ornamental design for a washing machine, as shown and described.

**DESCRIPTION**

FIG. 1 is a perspective view of a washing machine showing our new design;  
FIG. 2 is a front view thereof;  
FIG. 3 is a rear view thereof;  
FIG. 4 is a left side view thereof;  
FIG. 5 is a right side view thereof;  
FIG. 6 is a top plan view thereof; and,  
FIG. 7 is a bottom plan view thereof.  
The broken lines are for illustrative purposes only and form no part of the claimed design.

**1 Claim, 7 Drawing Sheets**



(56)

**References Cited**

U.S. PATENT DOCUMENTS

D518,608 S \* 4/2006 Kim et al. .... D32/6  
 D519,247 S \* 4/2006 Kim et al. .... D32/6  
 D519,248 S \* 4/2006 Kim et al. .... D32/6  
 D520,194 S \* 5/2006 Kwon et al. .... D32/6  
 D520,686 S \* 5/2006 Jeon et al. .... D32/6  
 D523,595 S \* 6/2006 Carey et al. .... D32/6  
 D524,001 S \* 6/2006 Carey et al. .... D32/6  
 D538,489 S \* 3/2007 Bixby et al. .... D32/6  
 D549,894 S \* 8/2007 Wilday ..... D32/6  
 D557,465 S \* 12/2007 Kim et al. .... D32/6  
 D563,062 S \* 2/2008 Eicher et al. .... D32/6  
 D570,059 S \* 5/2008 Jeon et al. .... D32/6  
 D572,419 S \* 7/2008 Park et al. .... D32/6  
 D575,913 S \* 8/2008 Jeon et al. .... D32/6  
 D577,162 S \* 9/2008 Shail et al. .... D32/6  
 D588,757 S \* 3/2009 Park et al. .... D32/6  
 D589,217 S \* 3/2009 Park et al. .... D32/6

D592,367 S \* 5/2009 Crookshanks ..... D32/25  
 D608,062 S \* 1/2010 Jeong et al. .... D32/6  
 D610,757 S \* 2/2010 Yalcin et al. .... D32/6  
 D613,916 S \* 4/2010 Montgomery ..... D32/6  
 D618,866 S \* 6/2010 Lee ..... D32/6  
 D636,953 S \* 4/2011 Lee ..... D32/6  
 D640,020 S \* 6/2011 Helot et al. .... D32/5

OTHER PUBLICATIONS

Samsung WW80H7410EW Blue Crystal 8Kg 1400 Spin Washing Machine in White, Announced Mar. 24, 2012, [Site Visited Jan. 27, 2015] [http://www.cooplectricalshop.co.uk/Samsung-WW80H7410EW-Blue-Crystal-8Kg-1400-Spin-Washing-Machine-in-White/id-SAM-WSH-WW80H7410EW-W.\\*](http://www.cooplectricalshop.co.uk/Samsung-WW80H7410EW-Blue-Crystal-8Kg-1400-Spin-Washing-Machine-in-White/id-SAM-WSH-WW80H7410EW-W.*)  
 New Gadgets Sansung Washing Machine 2012, Announced Sep. 25, 2011, [Site Visited Jan. 27, 2015] [http://new-gadgetstech.blogspot.com/2011/09/samsung-washing-machine-2011.html.\\*](http://new-gadgetstech.blogspot.com/2011/09/samsung-washing-machine-2011.html.*)

\* cited by examiner

FIG. 1

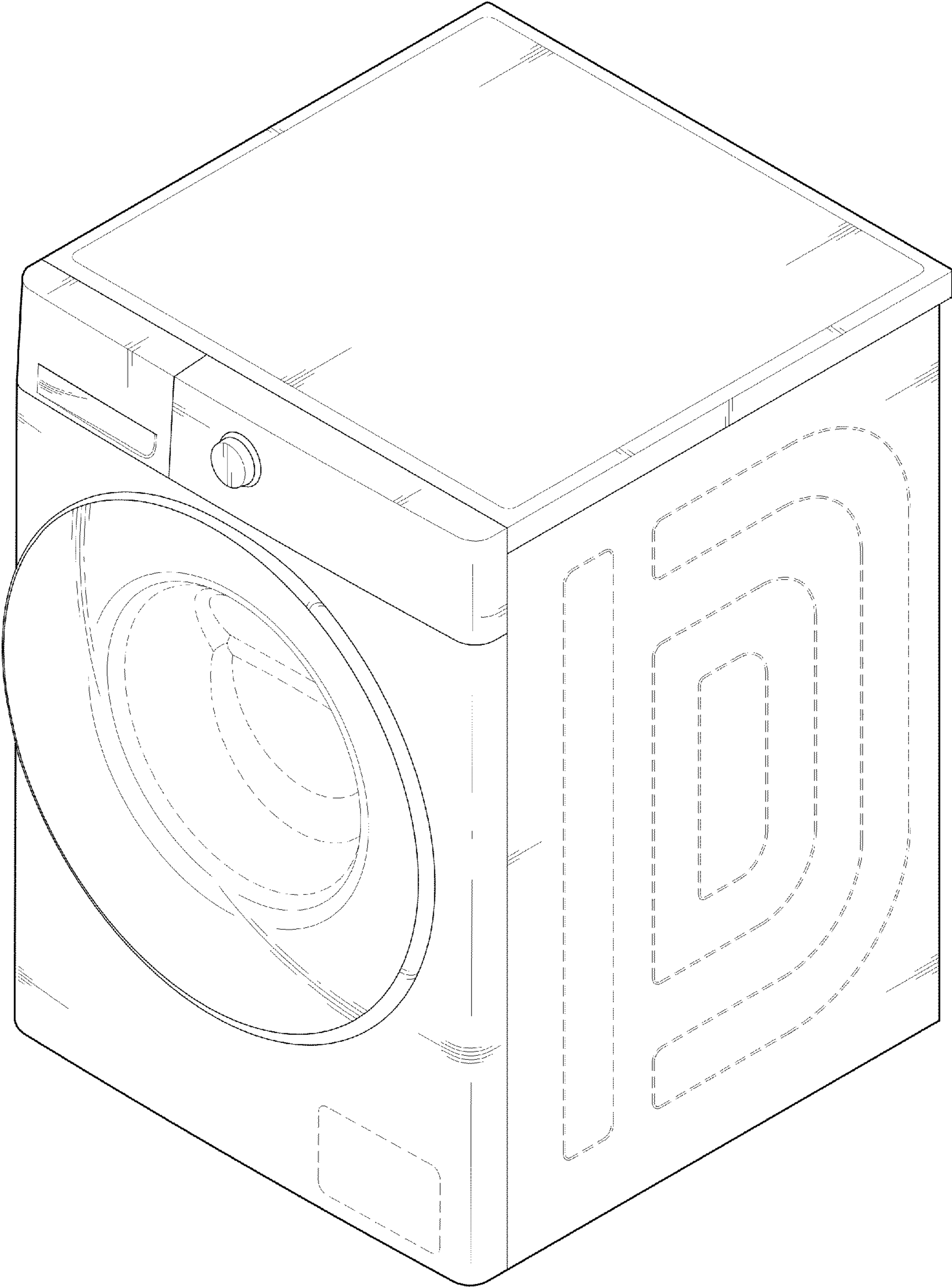


FIG. 2

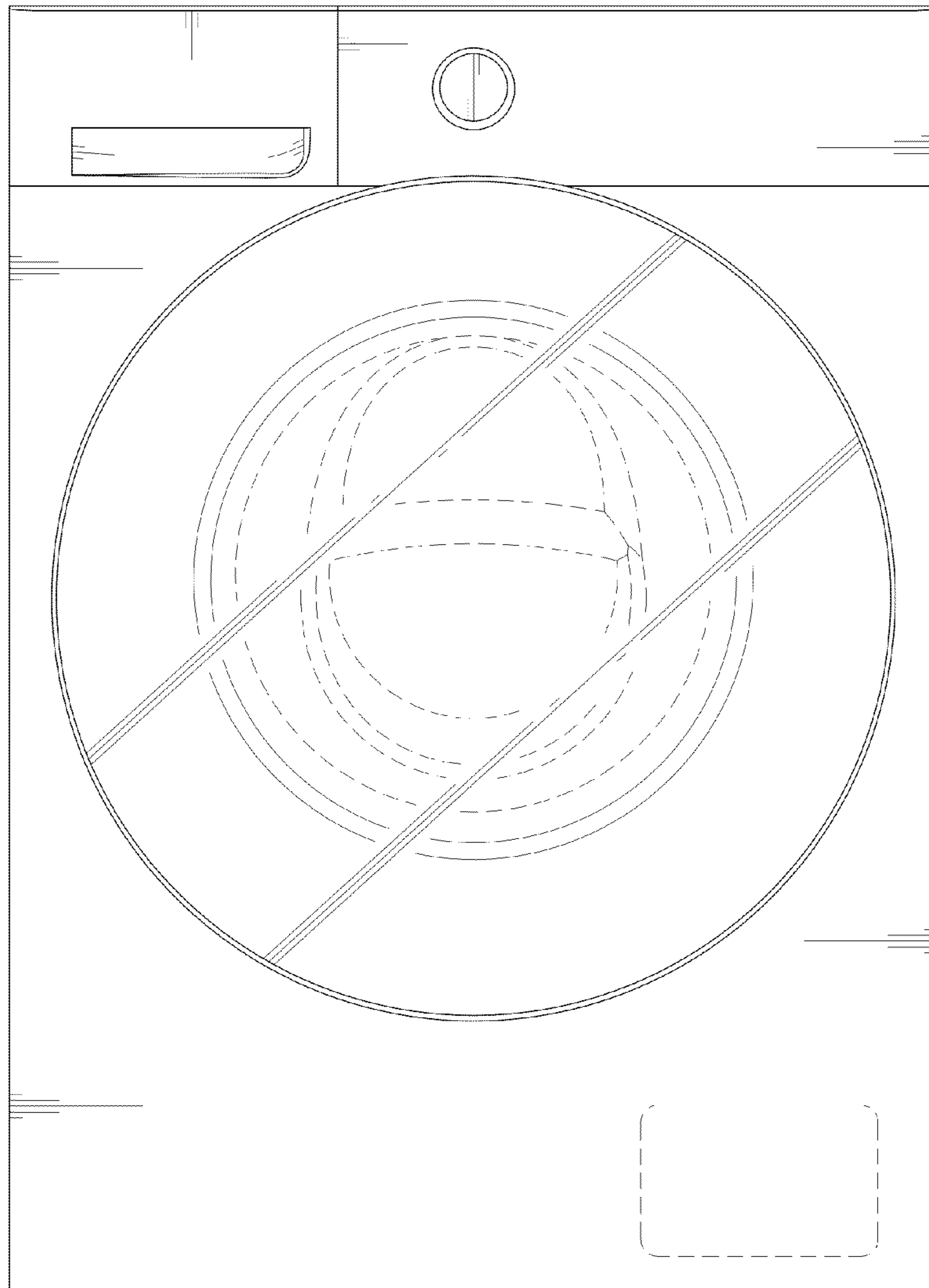


FIG. 3

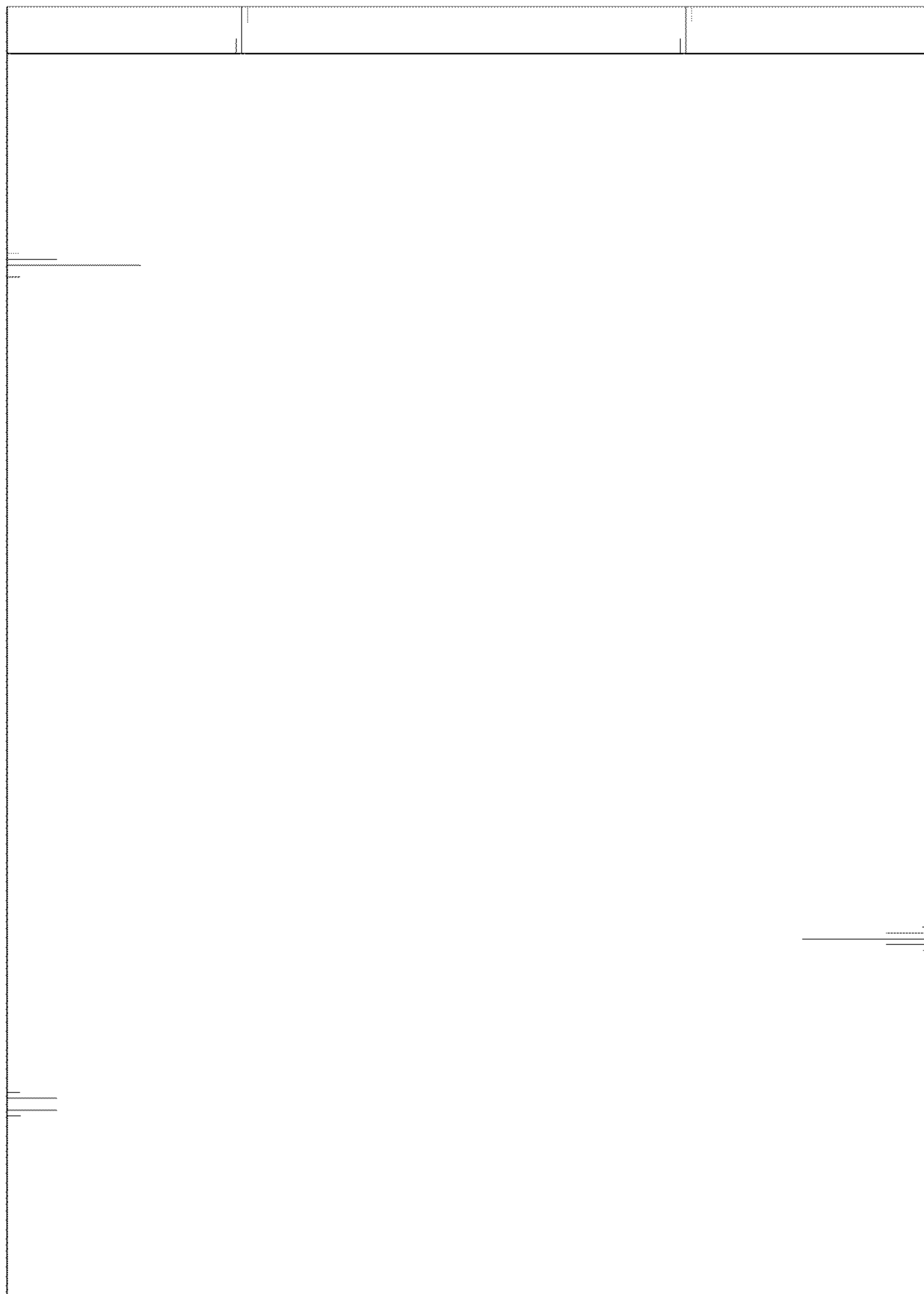


FIG. 4

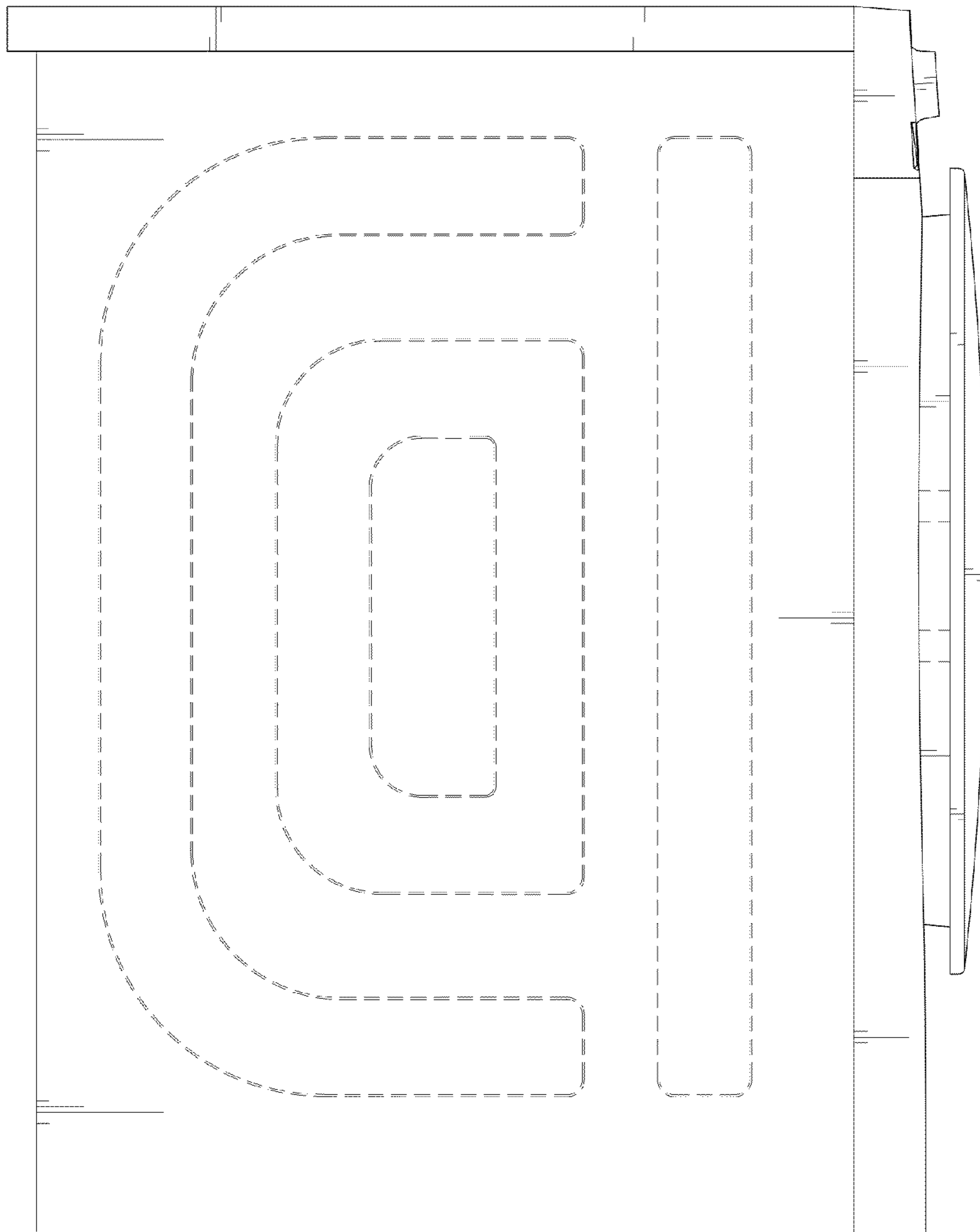


FIG. 5

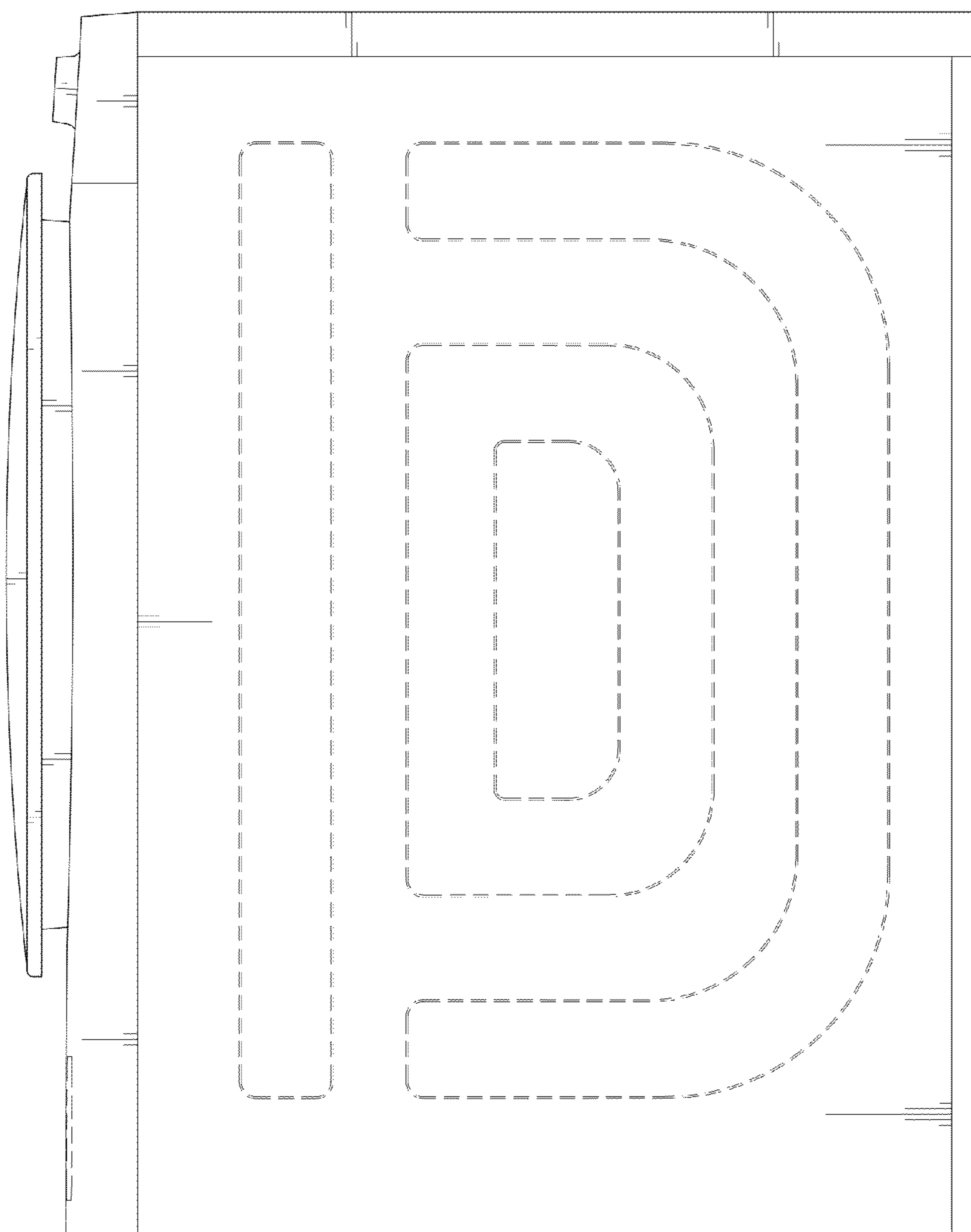


FIG. 6

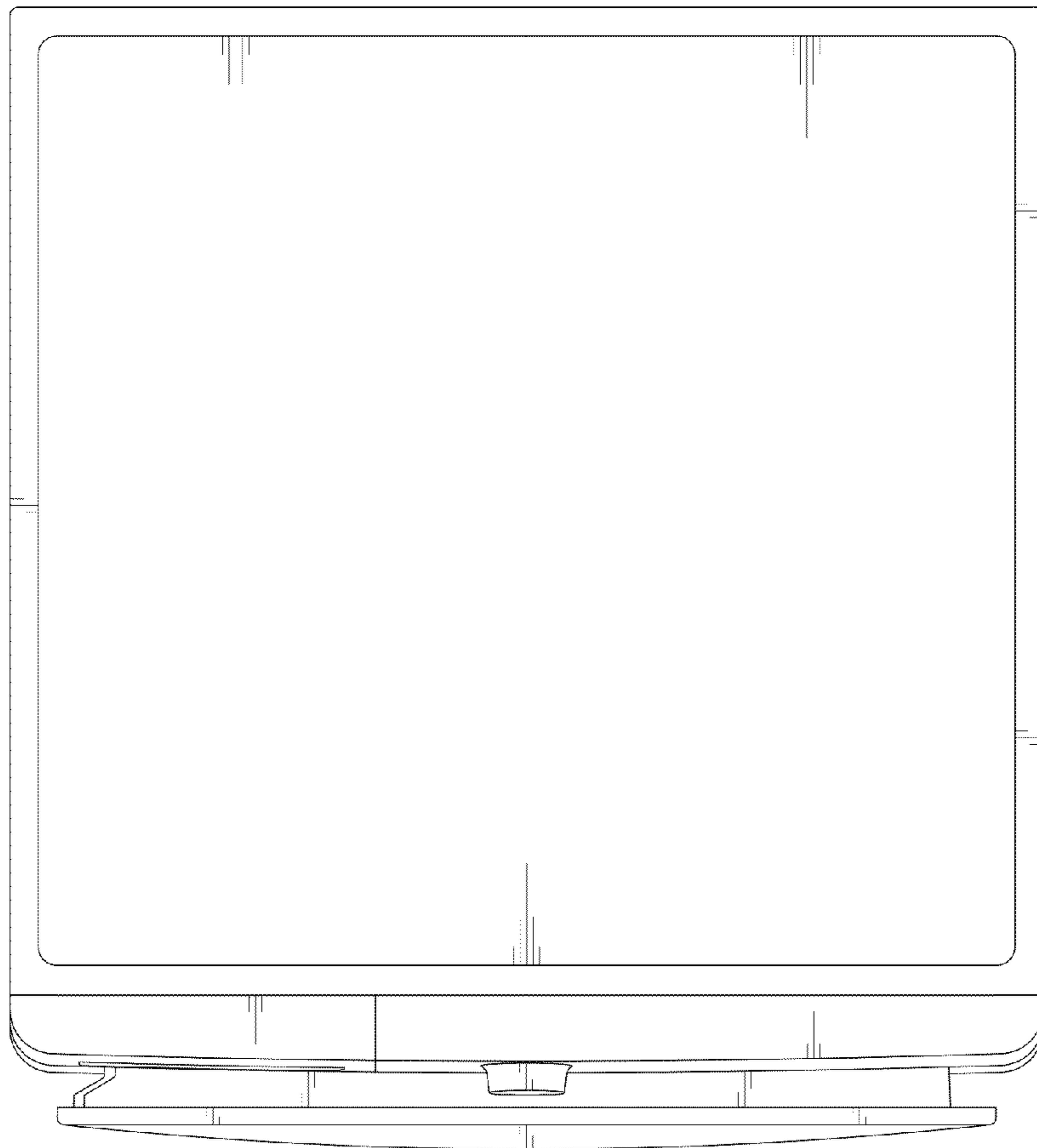




FIG. 7

