



US00D731126S

(12) **United States Design Patent**
Ha et al.

(10) **Patent No.:** **US D731,126 S**
(45) **Date of Patent:** **** Jun. 2, 2015**

(54) **WASHING MACHINE**

(71) Applicant: **LG Electronics Inc.**, Seoul (KR)

(72) Inventors: **Youngsoo Ha**, Seoul (KR); **Jonghee Han**, Seongnam-si (KR); **Jeaseok Seong**, Yongin-si (KR); **On Kim**, Seoul (KR); **Hyerim An**, Seoul (KR); **Kyungah Lee**, Yongin-si (KR)

(73) Assignee: **LG Electronics Inc.**, Seoul (JP)

(**) Term: **14 Years**

(21) Appl. No.: **29/462,875**

(22) Filed: **Aug. 9, 2013**

(30) **Foreign Application Priority Data**

Apr. 18, 2013 (KR) 30-2013-0020388

(51) **LOC (10) Cl.** **15-05**

(52) **U.S. Cl.**
USPC **D32/6**

(58) **Field of Classification Search**
USPC D32/6, 5, 25, 8; 68/3 R, 5 R, 12.01, 68/12.08; 34/523, 524; 312/31; 38/1 A
See application file for complete search history.

(56) **References Cited**

U.S. PATENT DOCUMENTS

D456,572 S *	4/2002	Resuello et al.	D32/6
D459,844 S *	7/2002	Baldwin et al.	D32/6
D496,709 S *	9/2004	Suh et al.	D32/6
D517,255 S *	3/2006	Kim et al.	D32/5
D517,257 S *	3/2006	Kim et al.	D32/6
D517,258 S *	3/2006	Ha et al.	D32/6
D517,259 S *	3/2006	Ha et al.	D32/6
D518,256 S *	3/2006	Kim et al.	D32/25
D518,608 S *	4/2006	Kim et al.	D32/6
D519,247 S *	4/2006	Kim et al.	D32/6
D520,194 S *	5/2006	Kwon et al.	D32/6
D523,595 S *	6/2006	Carey et al.	D32/6

D557,465 S *	12/2007	Kim	D32/6
D563,062 S *	2/2008	Eicher et al.	D32/6
D565,809 S *	4/2008	Eicher et al.	D32/6
D570,059 S *	5/2008	Jeon et al.	D32/6
D572,419 S *	7/2008	Park et al.	D32/6

(Continued)

FOREIGN PATENT DOCUMENTS

CN	300997794	*	9/2009
KR	30086086.00	*	12/2001

OTHER PUBLICATIONS

Super Mom Smashes Washing Machine After Realizing Her Daughter is Inside, Announced Nov. 9, 2001, [Site Visited Jan. 12, 2015] <http://www.mommyish.com/2011/11/09/mother-washing-machine-saves-daughter-603/>.*

(Continued)

Primary Examiner — John Windmuller

Assistant Examiner — Luqman McNeil

(74) *Attorney, Agent, or Firm* — Morgan, Lewis & Bockius LLP

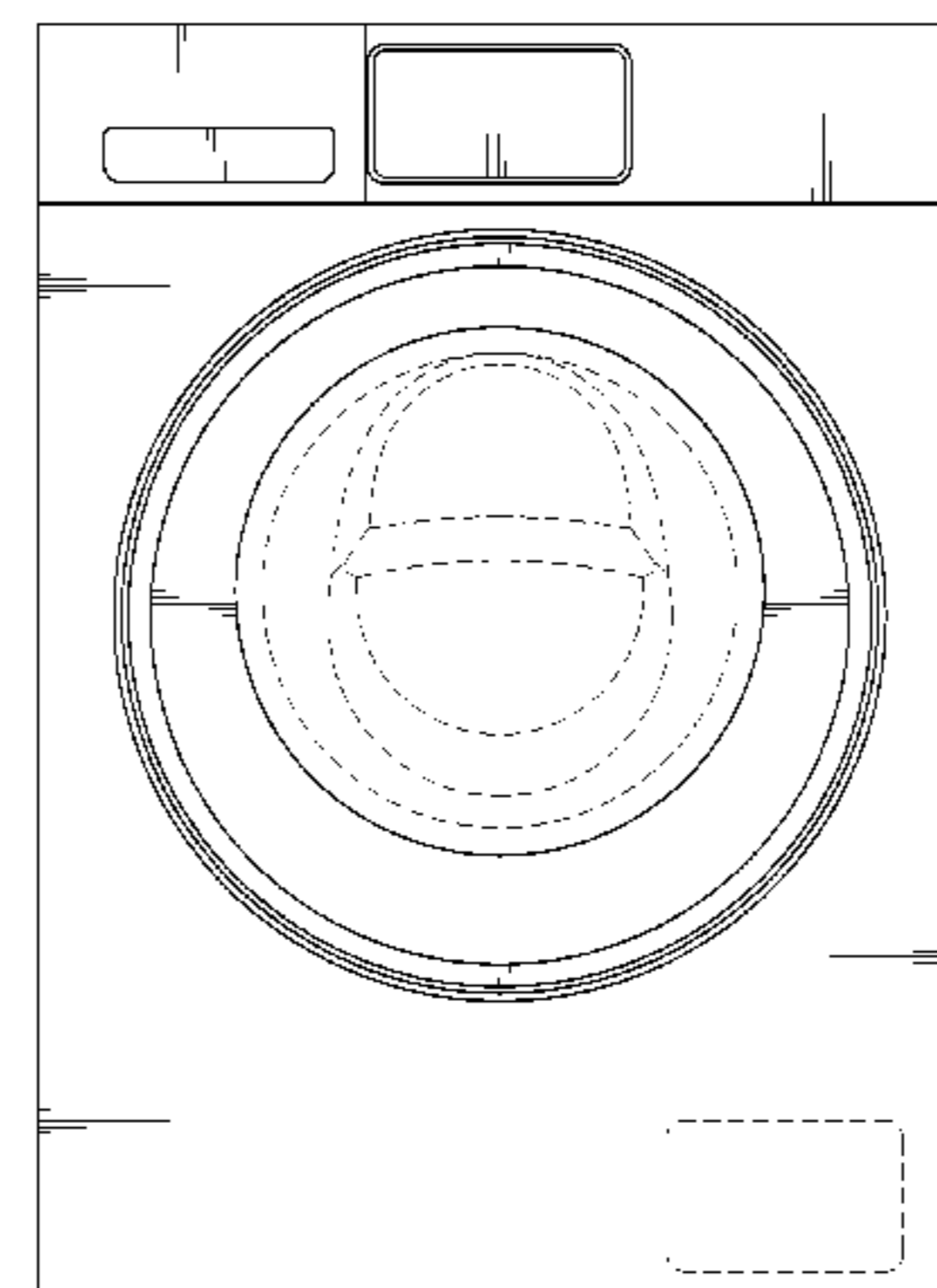
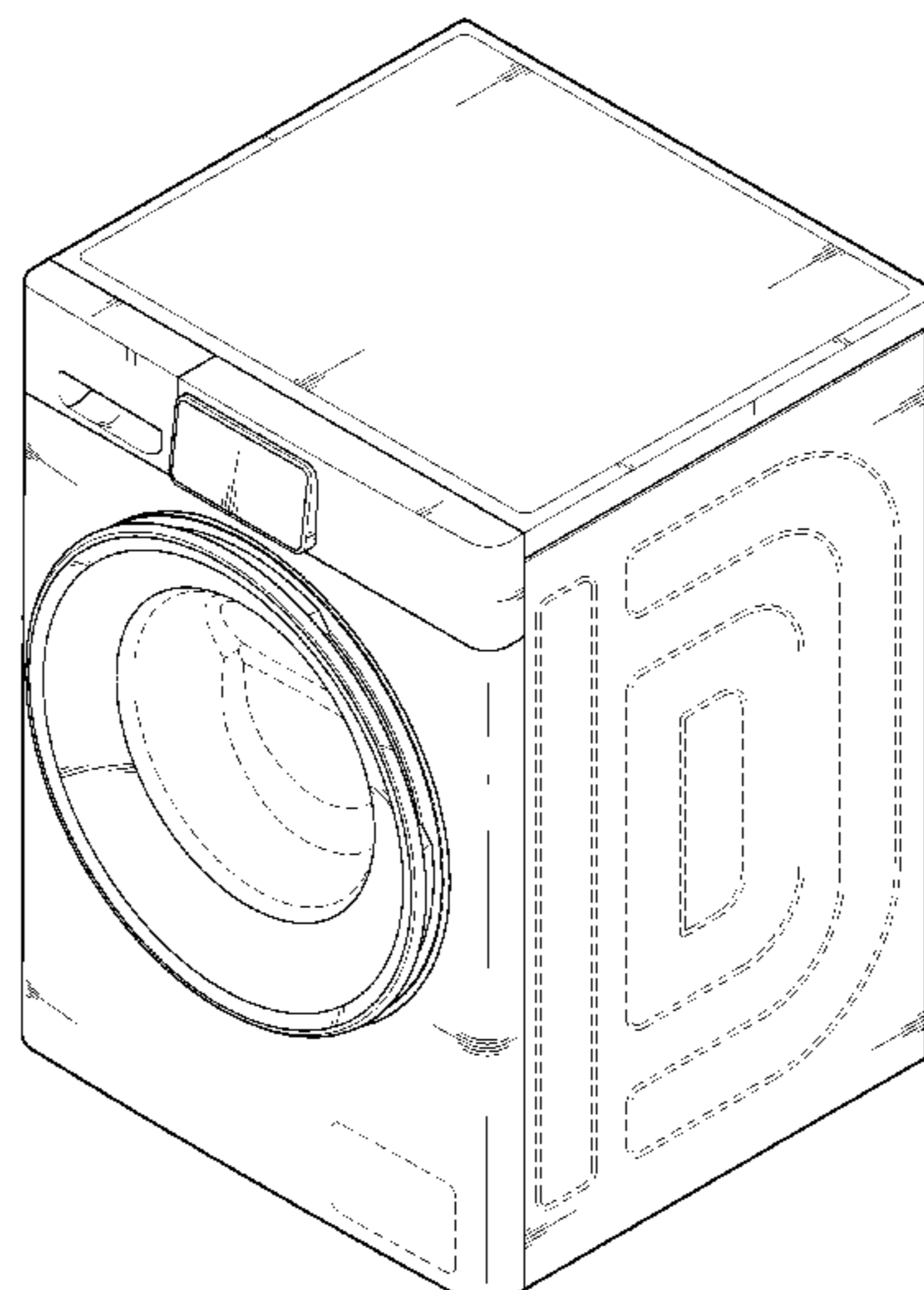
(57) **CLAIM**

The ornamental design for a washing machine, as shown and described.

DESCRIPTION

FIG. 1 is a perspective view of a washing machine showing our new design;
FIG. 2 is a front view thereof;
FIG. 3 is a rear view thereof;
FIG. 4 is a left side view thereof;
FIG. 5 is a right side view thereof;
FIG. 6 is a top plan view thereof; and,
FIG. 7 is a bottom plan view thereof.
The broken lines are for illustrative purposes only and form no part of the claimed design.

1 Claim, 7 Drawing Sheets



(56)

References Cited

U.S. PATENT DOCUMENTS

D575,463	S	*	8/2008	Mao et al.	D32/6
D589,217	S	*	3/2009	Park et al.	D32/6
D595,908	S	*	7/2009	Park et al.	D32/6
D610,757	S	*	2/2010	Yalcin et al.	D32/6
D618,866	S	*	6/2010	Lee	D32/6
D636,953	S	*	4/2011	Lee	D32/6
D640,020	S	*	6/2011	Helot et al.	D32/5
D642,752	S	*	8/2011	Kim	D32/6
D653,822	S	*	2/2012	Geyer et al.	D32/6
D659,307	S	*	5/2012	Geyer et al.	D32/6
D694,966	S	*	12/2013	Borjesson	D32/6

OTHER PUBLICATIONS

AEG Protex—Weilded tub?, Announced Sep. 3, 2011, [Site Visited Jan. 12, 2015] <http://www.automaticwasher.org/cgi-bin/TD/TD-VIEWTHREAD.cgi?36229>.*

Appliance Doctor NJ Washer and Dryer Repair, Announced Jul. 1, 2010, [Site Visited Jan. 12, 2015]<http://appliancerepairprincetonj.info/washer-and-dryer-repair/>.*

Samsung Washing Machine Price List, Announced Oct. 1, 2011, [Site Visited Jan. 12, 2015]<http://priceinfoworld.com/electronics/samsung-washing-machine-price-in-india>.*

V-Zug Adora SLQ Washer, Announced Jul. 20, 2011, [Site Visited Jan. 23, 2015]http://housedesignnewsworld.blogspot.com/2011/07/homeditcom-interior-design-architecture_20.html.*

* cited by examiner

FIG. 1

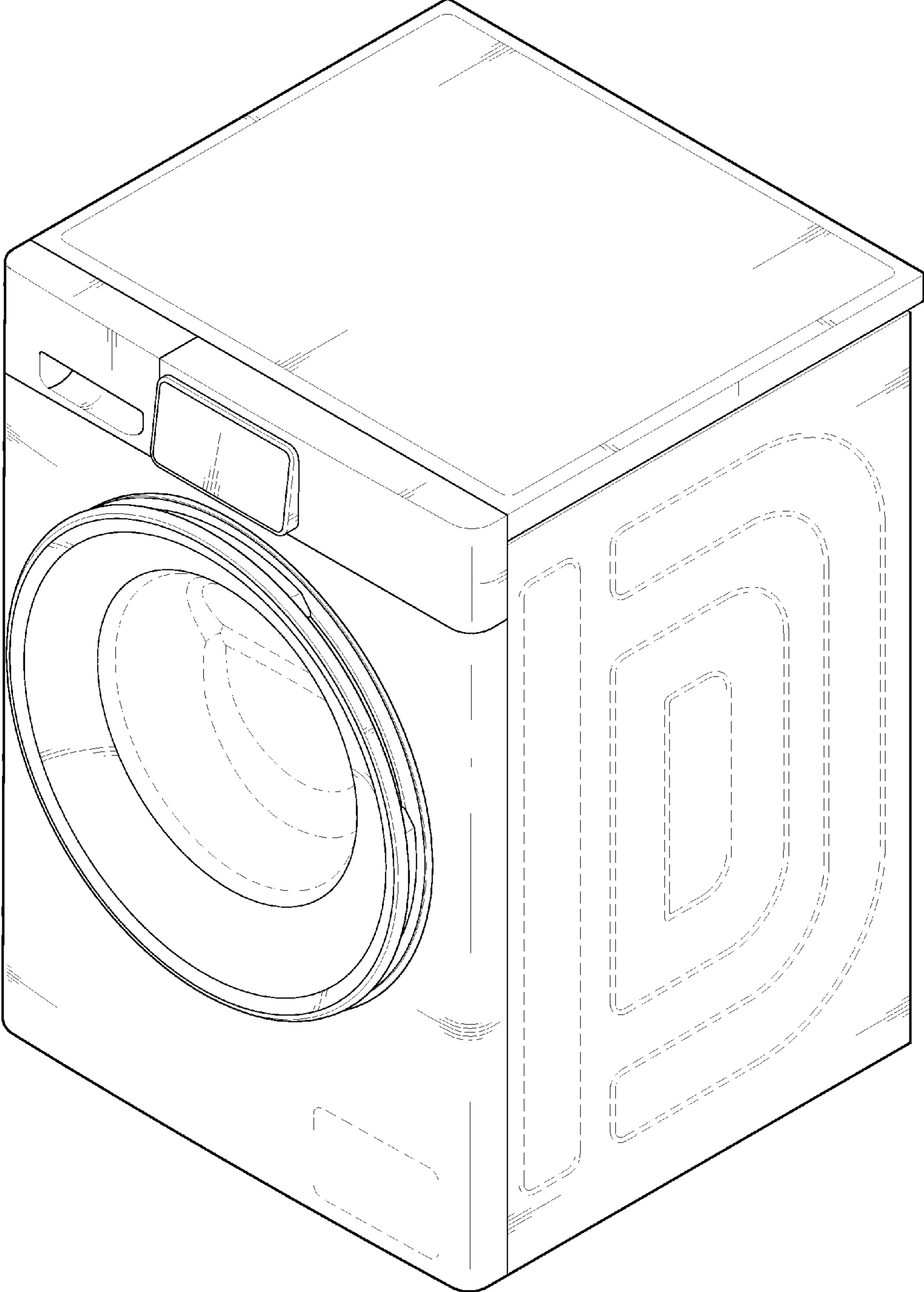


FIG. 2

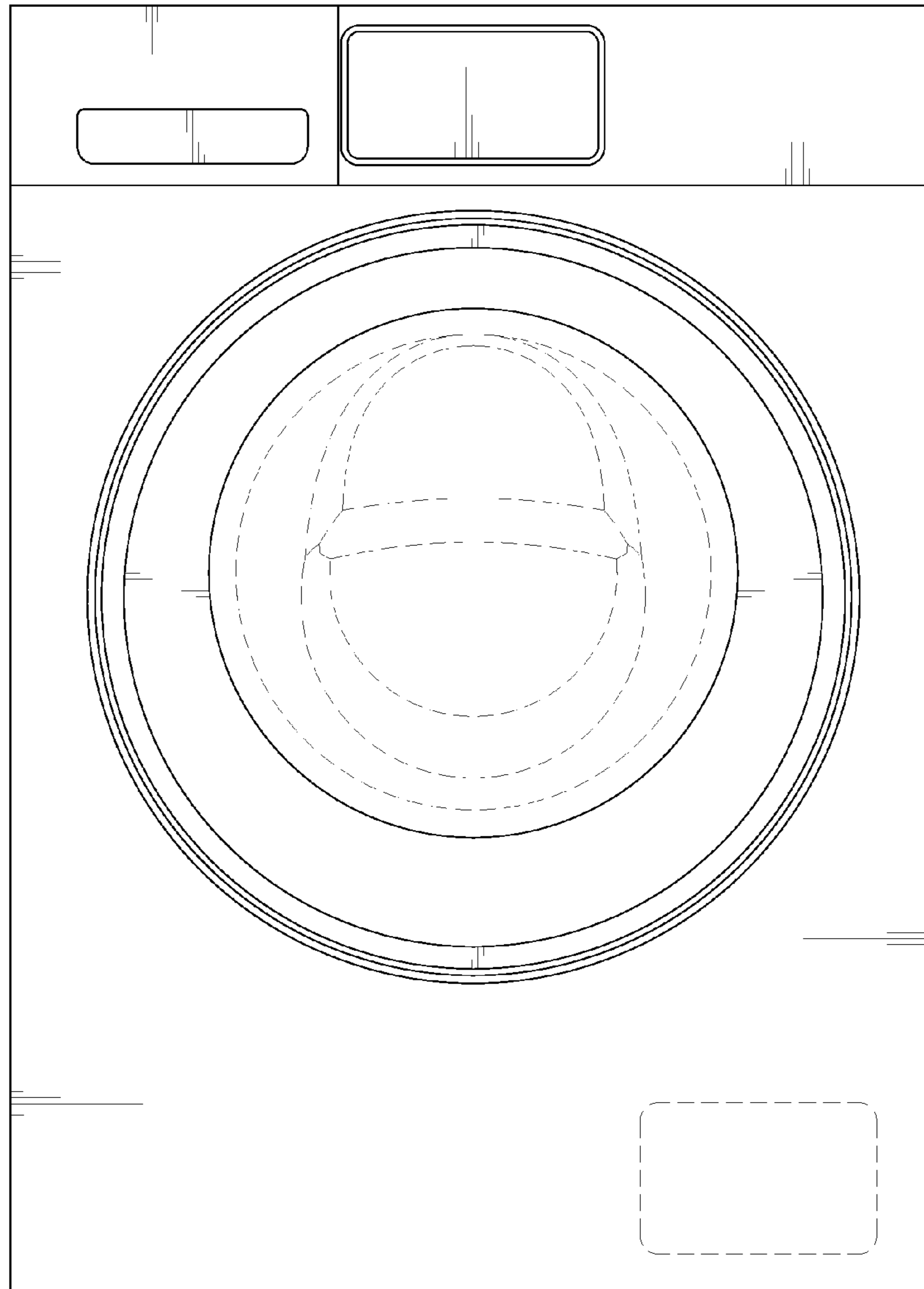


FIG. 3

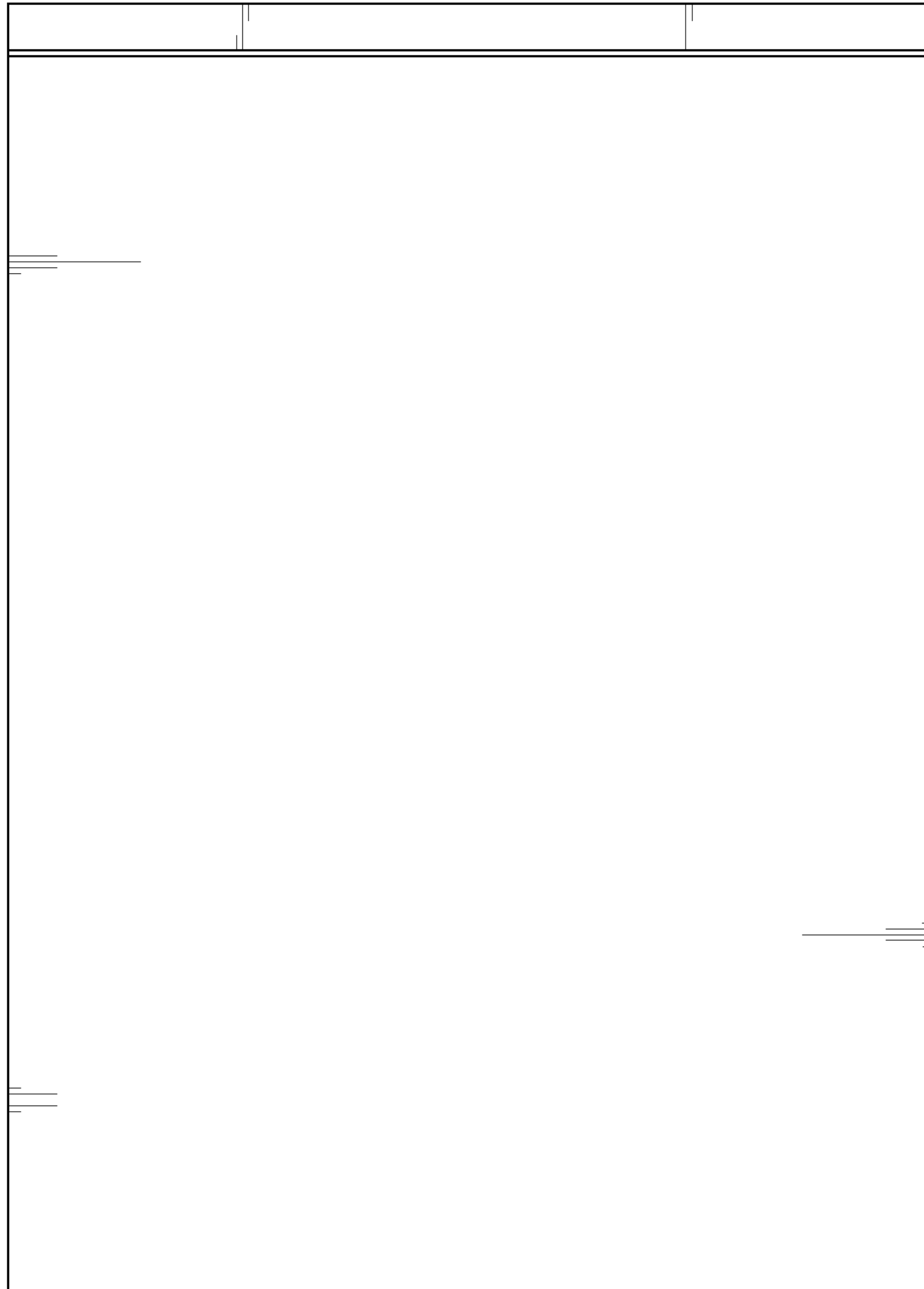


FIG. 4

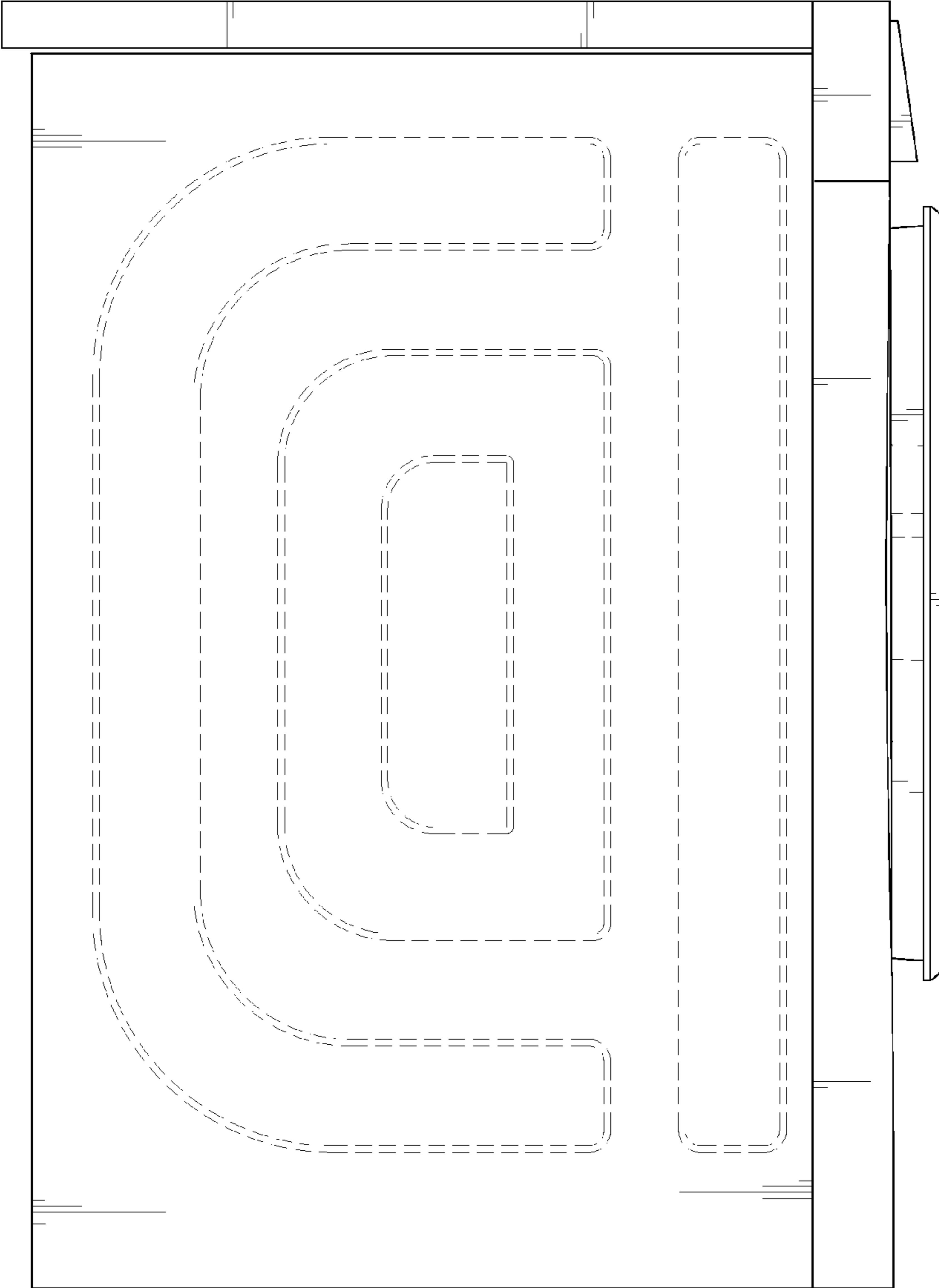


FIG. 5

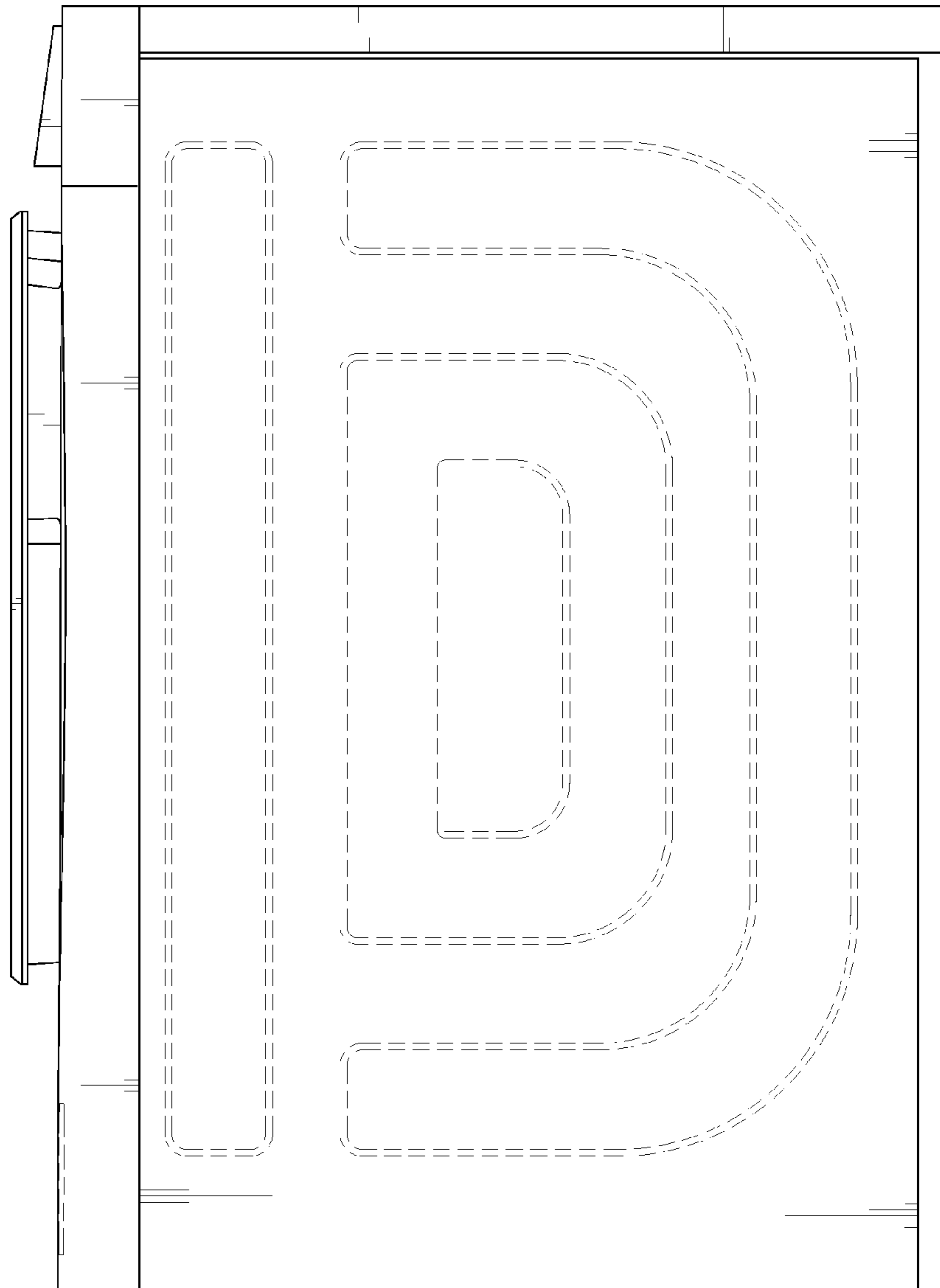


FIG. 6

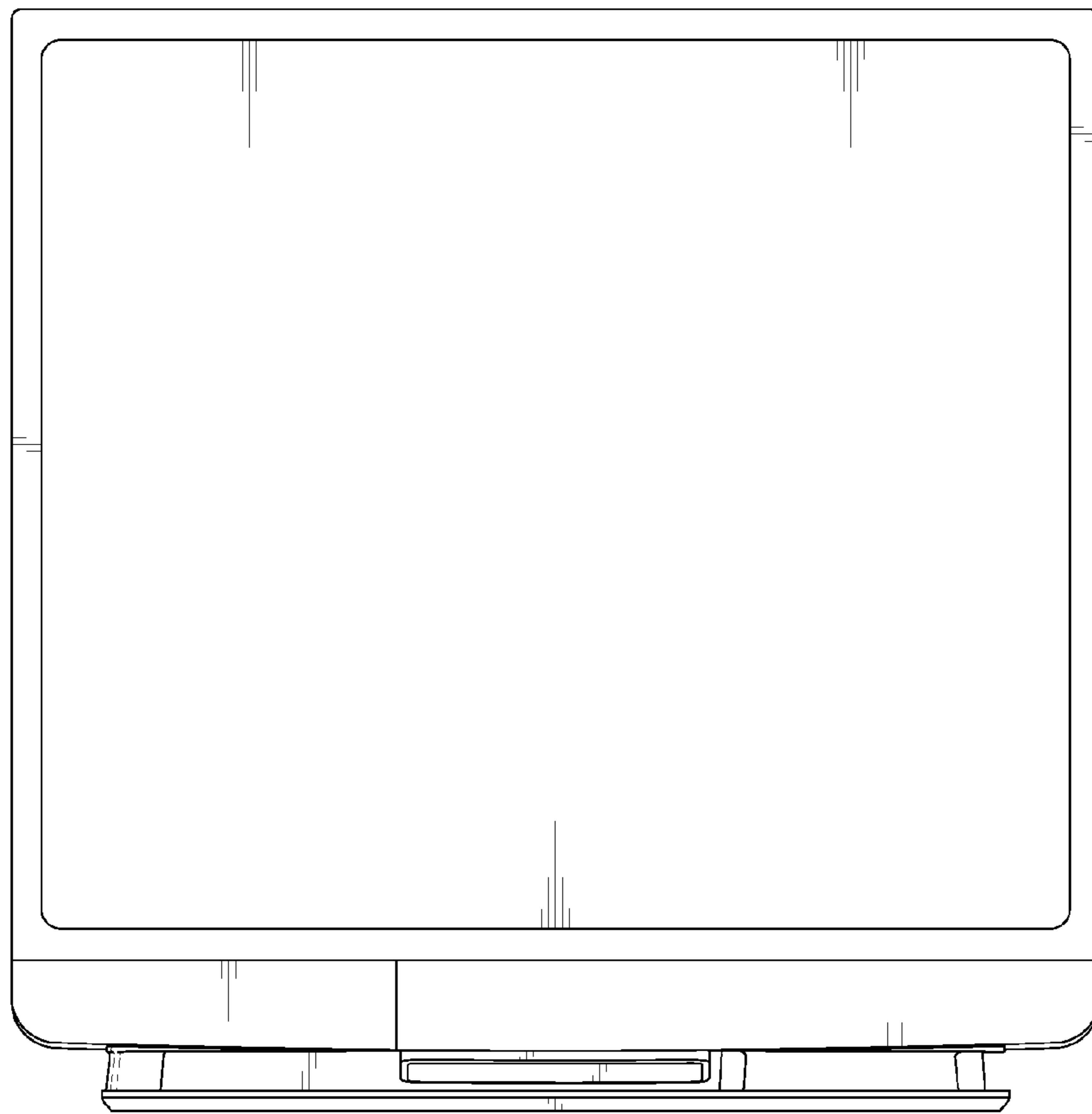


FIG. 7

