



US00D731125S

(12) **United States Design Patent**
Wiekens

(10) **Patent No.:** **US D731,125 S**
(45) **Date of Patent:** **** Jun. 2, 2015**

(54) **CARTRIDGE FOR CLEANING DEVICE FOR SHAVERS**

(56) **References Cited**

U.S. PATENT DOCUMENTS

(71) Applicant: **KONINKLIJKE PHILIPS N.V.**,
Eindhoven (NL)
(72) Inventor: **Fred Boelo Wiekens**, Wilhelminaoord
(NL)
(73) Assignee: **KONINKLIJKE PHILIPS N.V.**,
Eindhoven (NL)

D341,233 S * 11/1993 Muller D32/1
D512,530 S * 12/2005 Hartwein et al. D28/44
D513,341 S * 12/2005 Ullmann D28/44
D543,315 S * 5/2007 Hansen D28/44
D561,940 S * 2/2008 Ullmann D28/44
D581,106 S * 11/2008 Prat-Pfister D32/1
D581,107 S * 11/2008 Schmon D32/1
D611,652 S * 3/2010 Ullmann D28/44
D613,008 S * 3/2010 Ullmann D32/1
D676,602 S * 2/2013 Grabes et al. D28/44
2004/0194326 A1 * 10/2004 Kappes et al. 30/537

(**) Term: **14 Years**

* cited by examiner

Primary Examiner — T. Chase Nelson
Assistant Examiner — Michelle E Wilson

(21) Appl. No.: **29/499,134**

(57) **CLAIM**

(22) Filed: **Aug. 12, 2014**

The ornamental design for a cartridge for cleaning device for shavers, as shown and described.

(30) **Foreign Application Priority Data**

DESCRIPTION

Feb. 13, 2014 (EM) 002403980-0002

(51) **LOC (10) Cl.** **15-05**

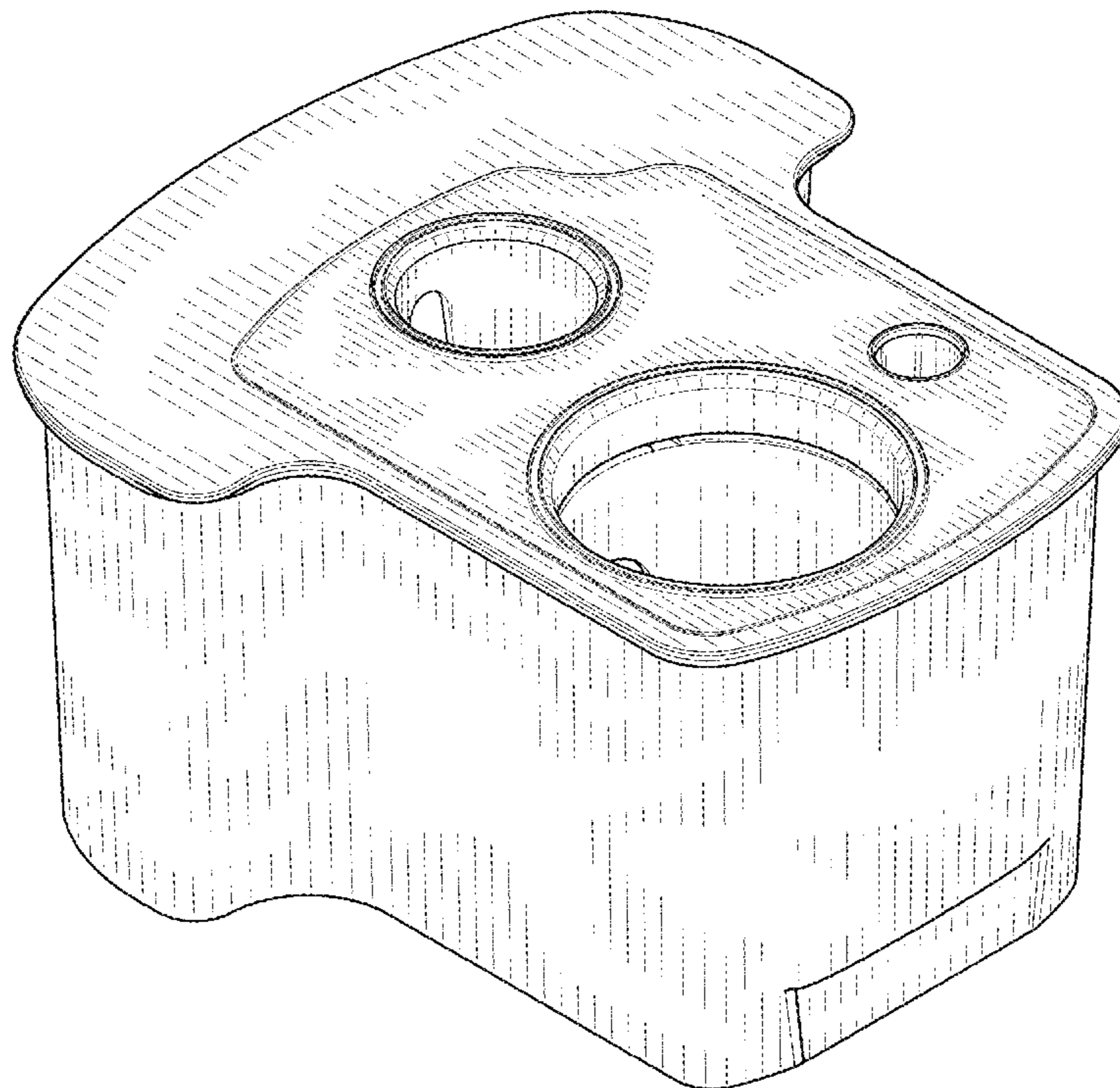
(52) **U.S. Cl.**
USPC **D32/1**

(58) **Field of Classification Search**
USPC D28/44, 54; D32/1, 25, 35; 15/1, 310,
15/104.92; 134/92, 166 R; 320/115;
30/537, 538, 457

FIG. 1 is a perspective view showing my design;
FIG. 2 is a front elevational view thereof;
FIG. 3 is a rear elevational view thereof;
FIG. 4 is a right side elevational view thereof;
FIG. 5 is a left side elevational view thereof;
FIG. 6 is a top plan view thereof; and,
FIG. 7 is a bottom plan view thereof.
The broken line showing of portions of the cartridge for cleaning device for shavers is included for the purpose of illustrating portions of cartridge that form no part of the claimed design.

See application file for complete search history.

1 Claim, 5 Drawing Sheets



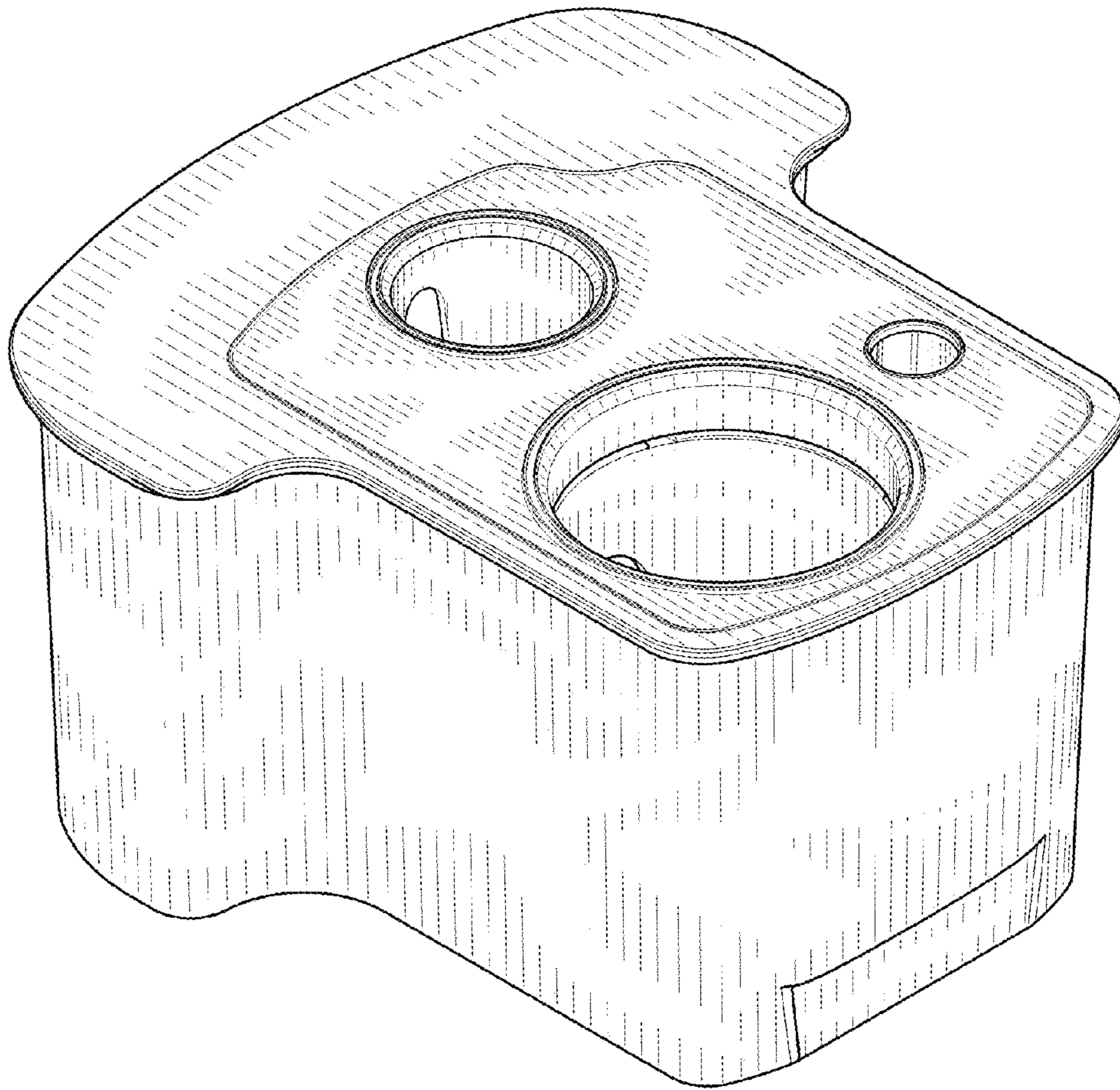


FIG. 1

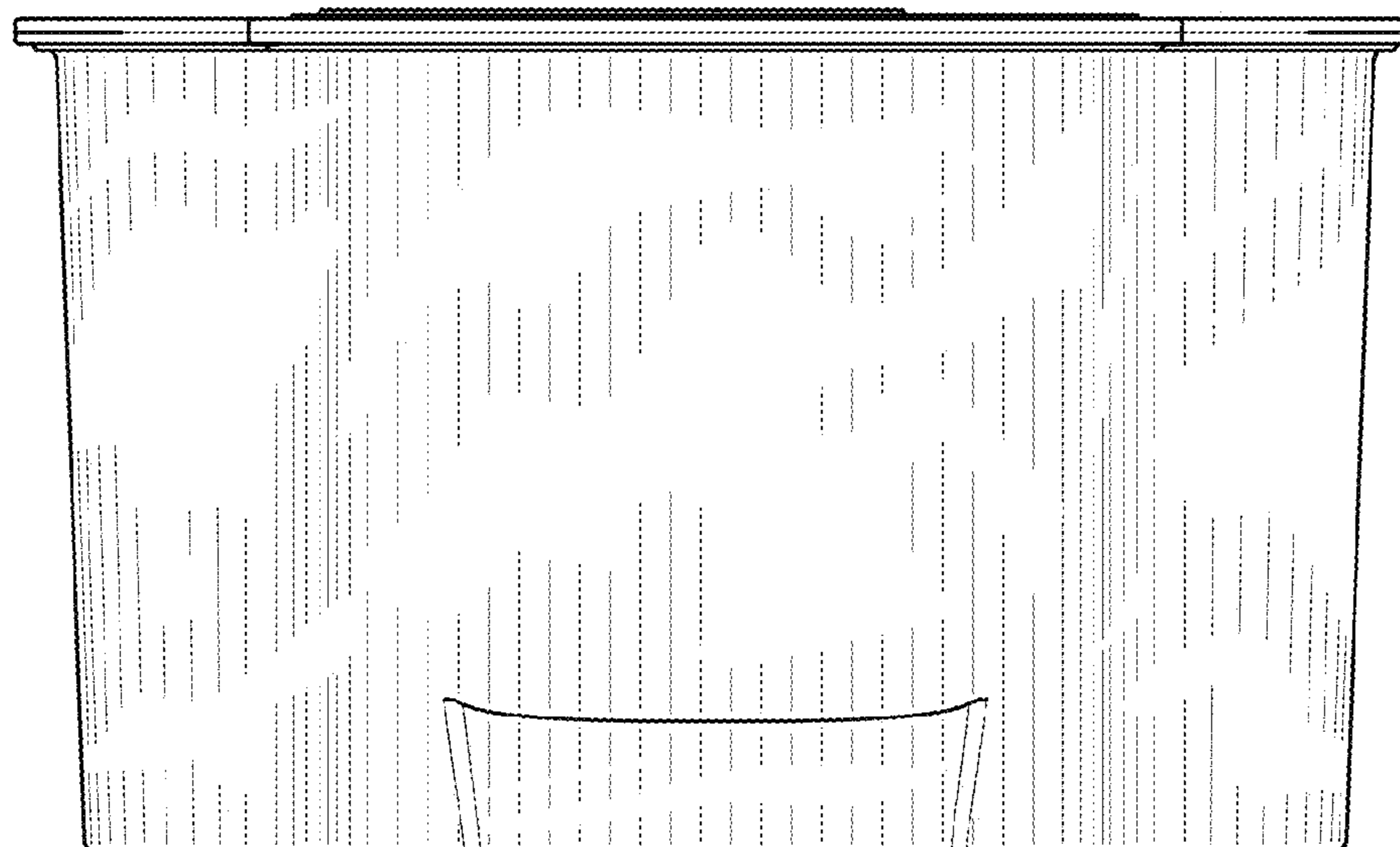


FIG. 2

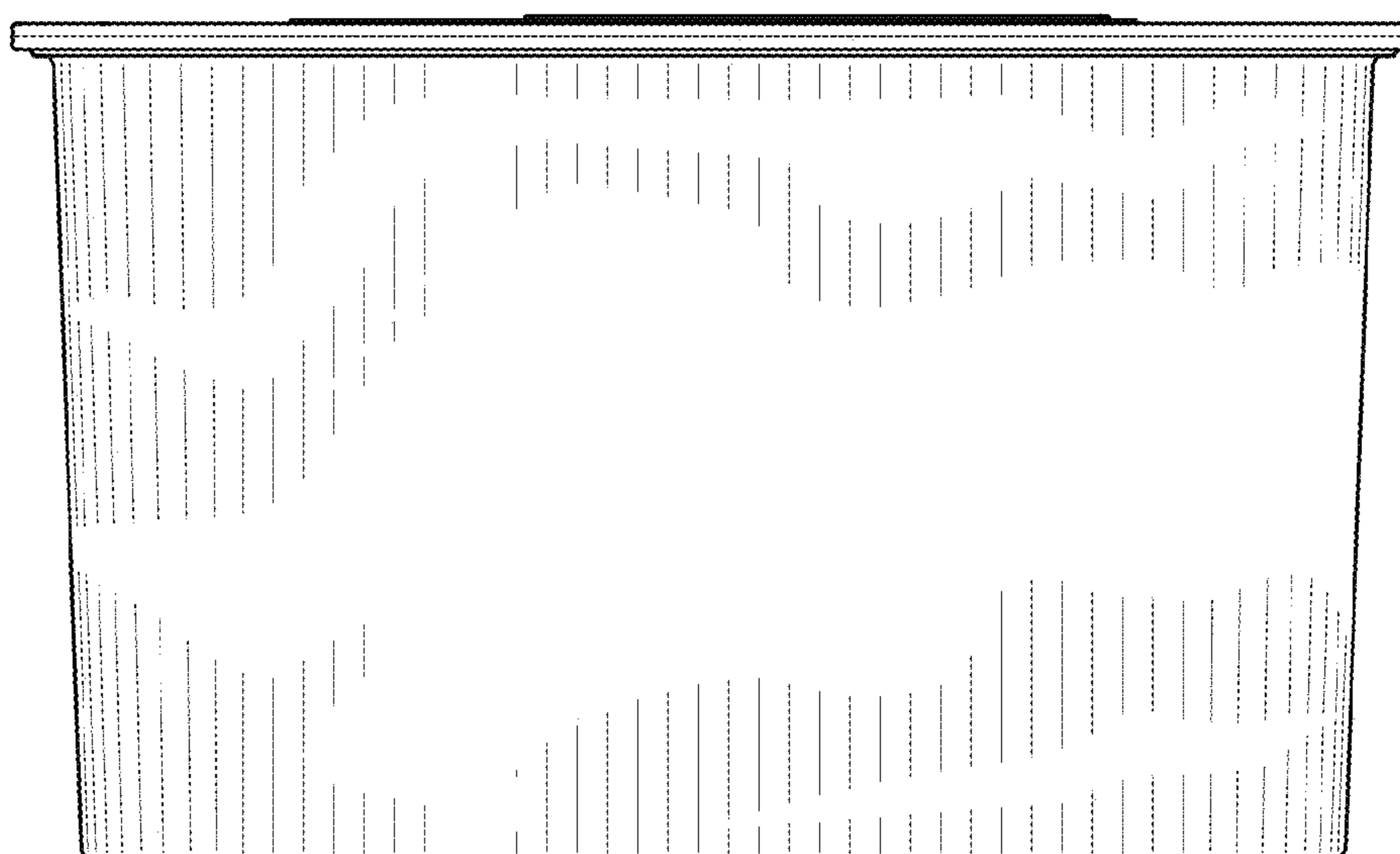


FIG. 3

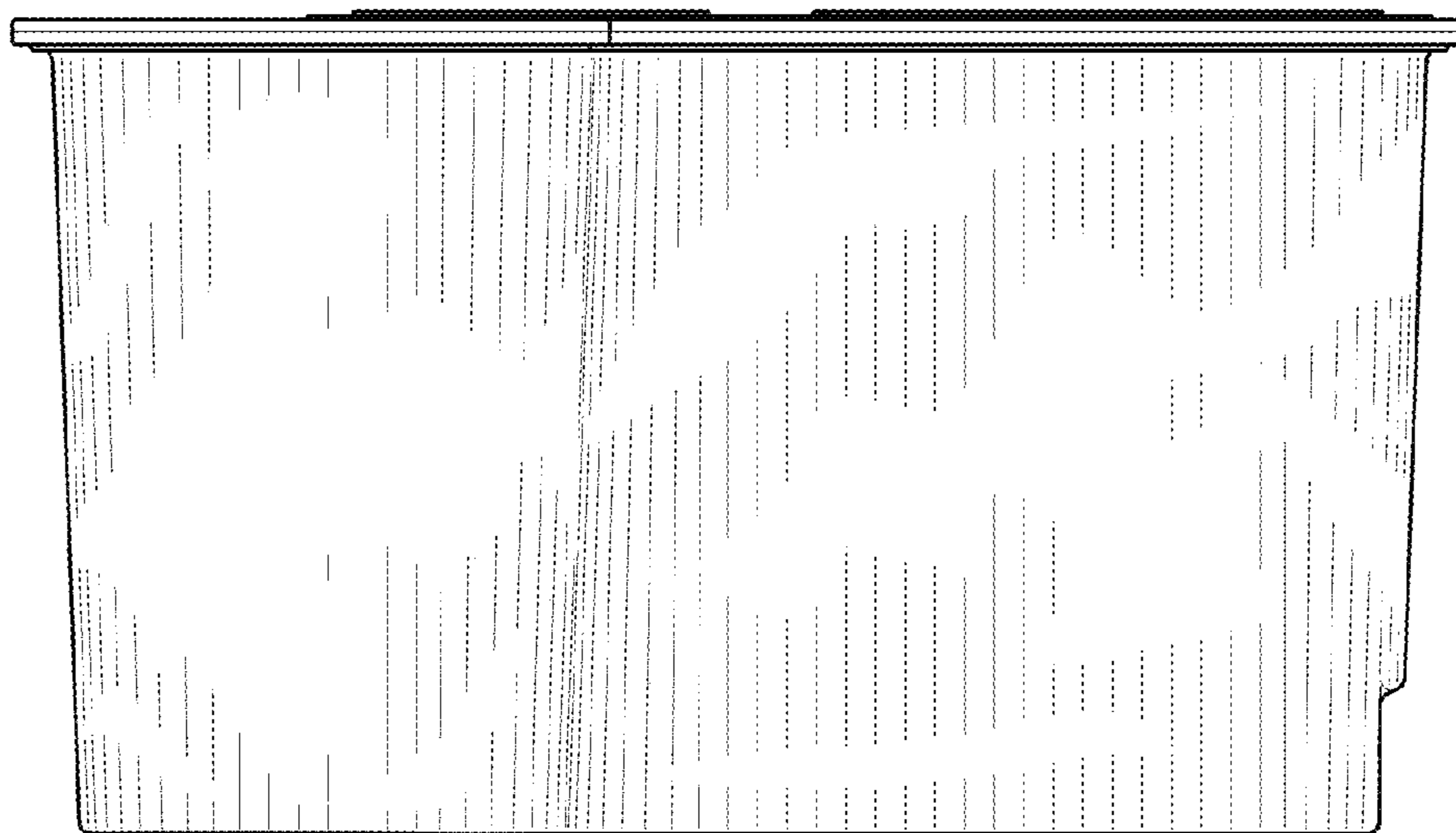


FIG. 4

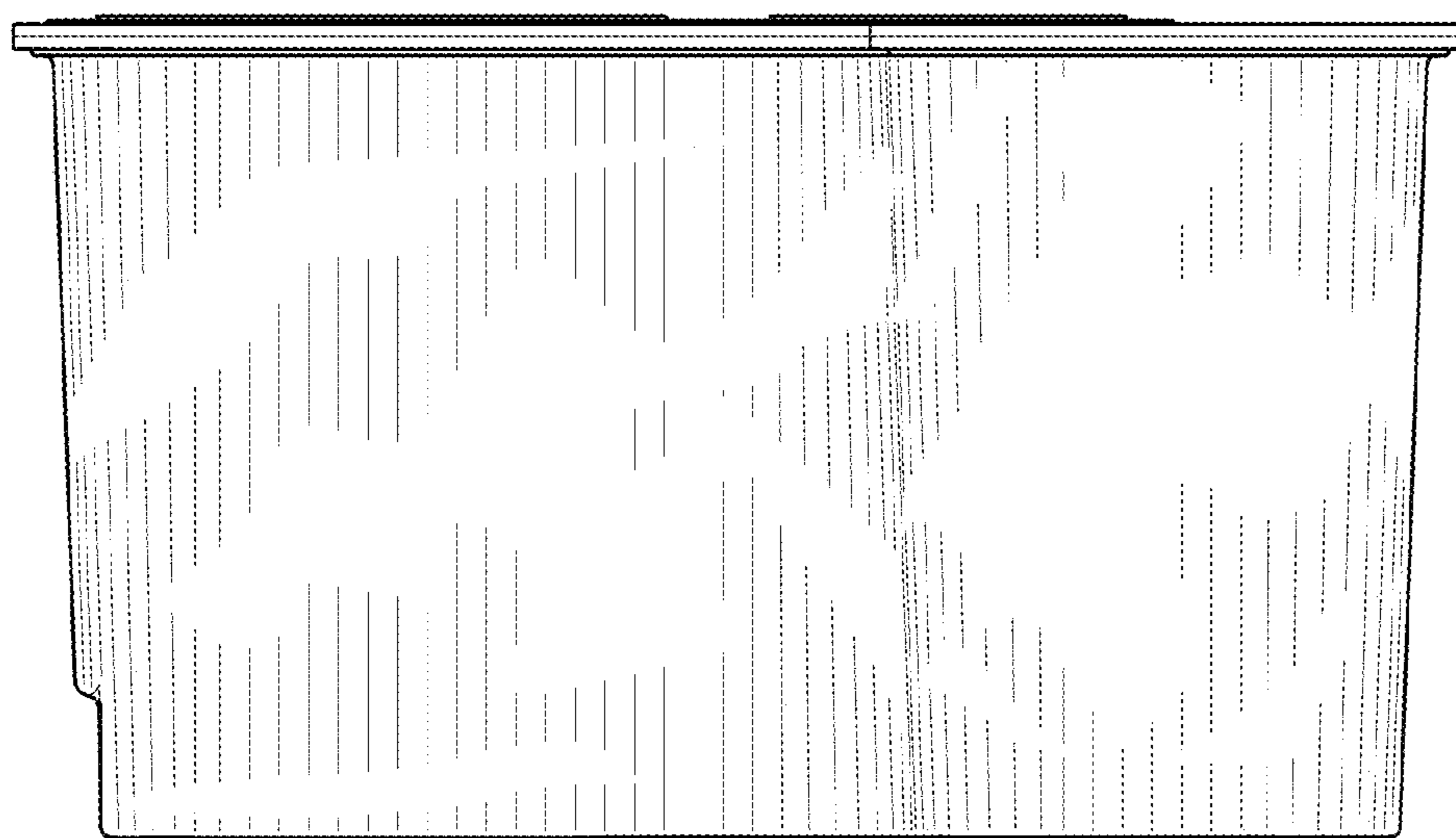


FIG. 5

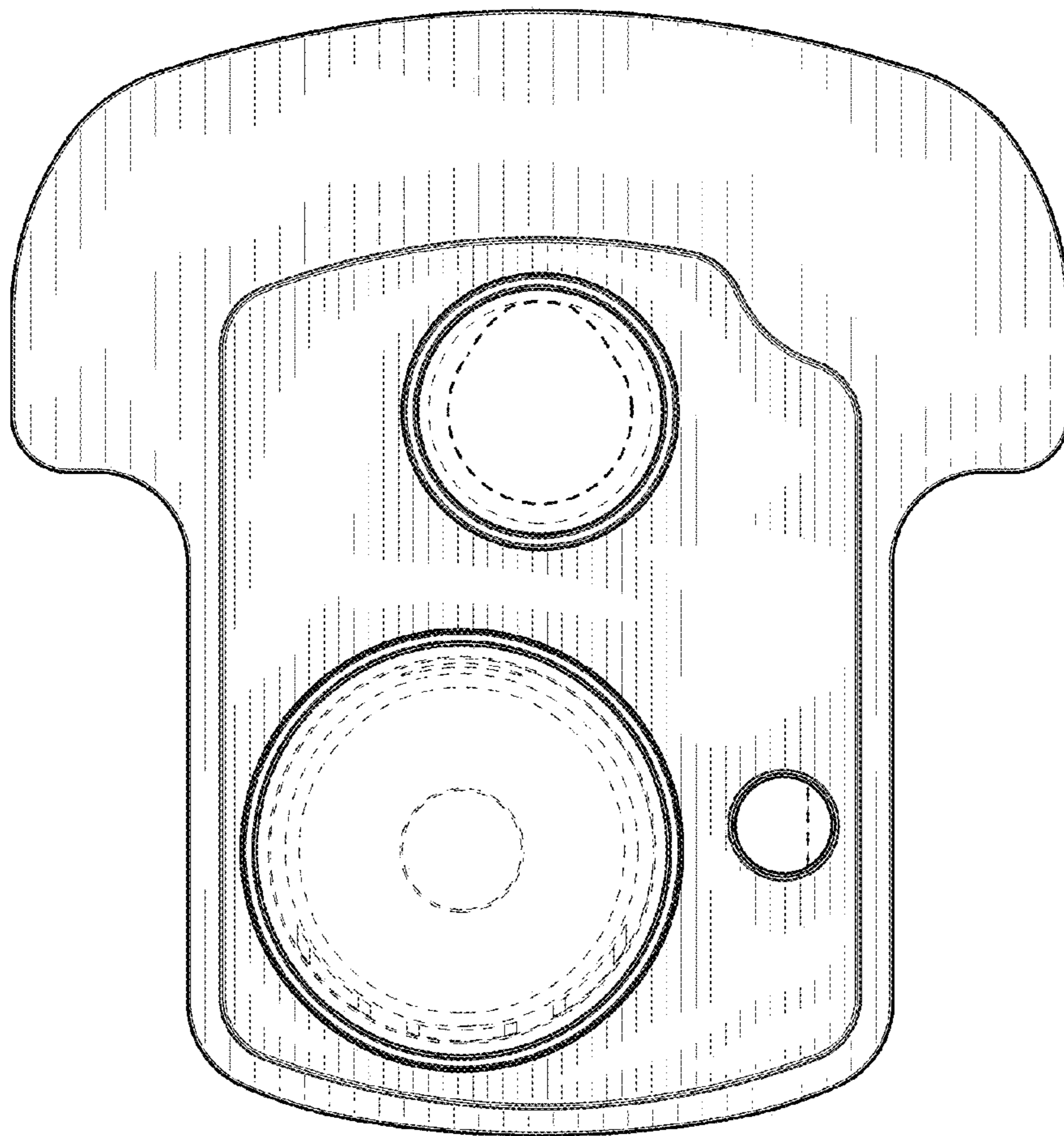


FIG. 6

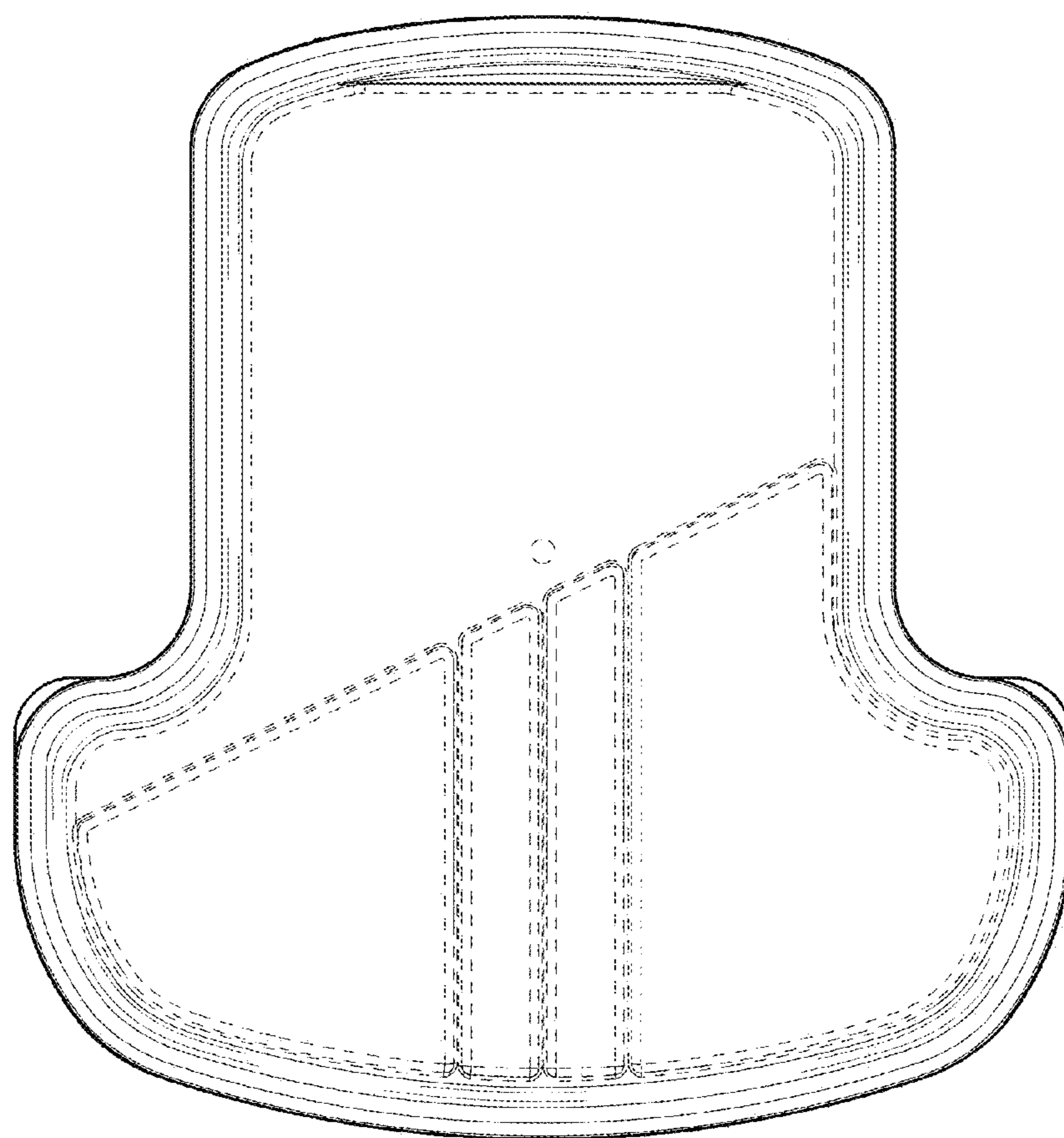


FIG. 7