



US00D731123S

(12) **United States Design Patent**
Spear

(10) **Patent No.:** **US D731,123 S**

(45) **Date of Patent:** **** Jun. 2, 2015**

(54) **HELMET PLENUM**

(56) **References Cited**

(71) Applicant: **LINCOLN GLOBAL, INC.**, City of Industry, CA (US)

U.S. PATENT DOCUMENTS

(72) Inventor: **Theresa Spear**, Cleveland, OH (US)

D350,585	S	*	9/1994	Rasocha	D24/110.5
6,505,623	B1	*	1/2003	Hansen	128/207.11
6,810,532	B2	*	11/2004	Wang Lee	2/171.3
6,925,655	B1	*	8/2005	Maki et al.	2/171.3
6,990,691	B2	*	1/2006	Klotz et al.	2/171.3
7,089,941	B2	*	8/2006	Bordewick et al.	128/207.11
D529,606	S	*	10/2006	Hind et al.	D24/110.3
7,114,194	B2	*	10/2006	English	2/171.3
D545,426	S	*	6/2007	Church	D24/110.3
D569,501	S	*	5/2008	Berg	D24/110.4
7,735,156	B2	*	6/2010	VanDerWoude et al.	2/410
7,814,911	B2	*	10/2010	Bordewick et al.	128/207.13
2013/0014751	A1	*	1/2013	Ausen	128/201.24

(73) Assignee: **LINCOLN GLOBAL, INC.**, City of Industry, CA (US)

(**) Term: **14 Years**

* cited by examiner

(21) Appl. No.: **29/470,226**

(22) Filed: **Oct. 18, 2013**

Primary Examiner — Randall Gholson

(51) **LOC (10) Cl.** **29-02**

(74) *Attorney, Agent, or Firm* — Perkins Coie LLP

(52) **U.S. Cl.**

USPC **D29/122**

(57) **CLAIM**

The ornamental design for a helmet plenum, as shown and described.

(58) **Field of Classification Search**

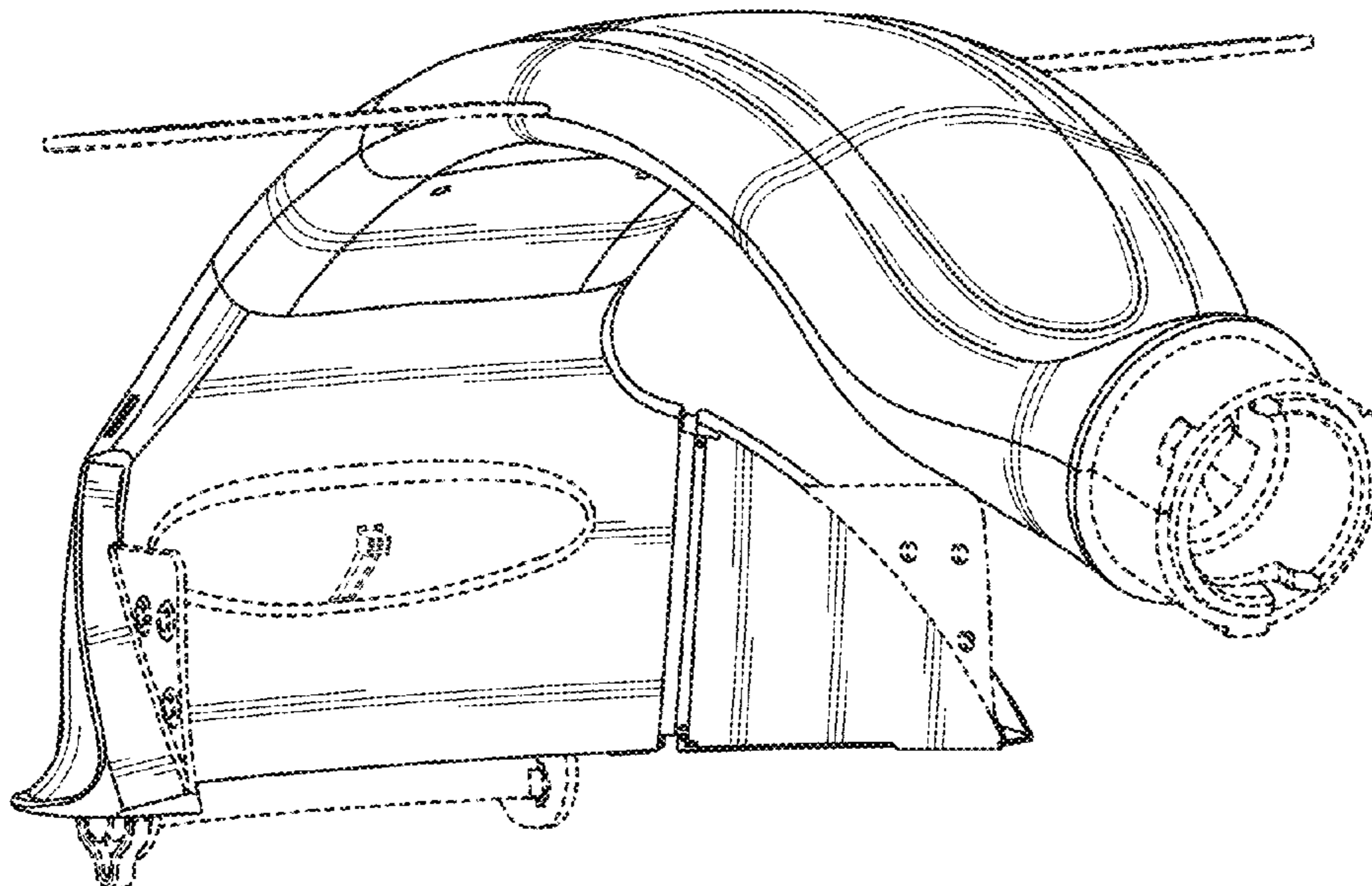
USPC D29/100, 102, 103, 105, 106, 108, 122;
D24/107, 108, 110, 110.1, 110.2,
D24/110.3, 110.4, 110.5, 110.6; 128/857,
128/863, 200.24, 200.26, 201.22, 201.23,
128/201.24, 201.28, 206.12, 206.21,
128/206.22, 207.17; 2/455, 456, 410, 417,
2/418, 419, 421, 422, 425, 171, 171.3,
2/183, 205, 209.13, 918
CPC A62B 7/00; A62B 9/00; A62B 18/00;
A62B 18/02; A62B 18/045; A42B 3/28;
A42B 3/281

DESCRIPTION

FIG. 1 is a back side perspective view of a helmet plenum showing my new design;
FIG. 2 is a top side view thereof;
FIG. 3 is a front side view thereof;
FIG. 4 is a back side view thereof;
FIG. 5 is a bottom side view thereof;
FIG. 6 is a right side view thereof; and,
FIG. 7 is a left side view thereof.
The broken lines depict portions of the helmet plenum that form no part of the claimed design.

See application file for complete search history.

1 Claim, 4 Drawing Sheets



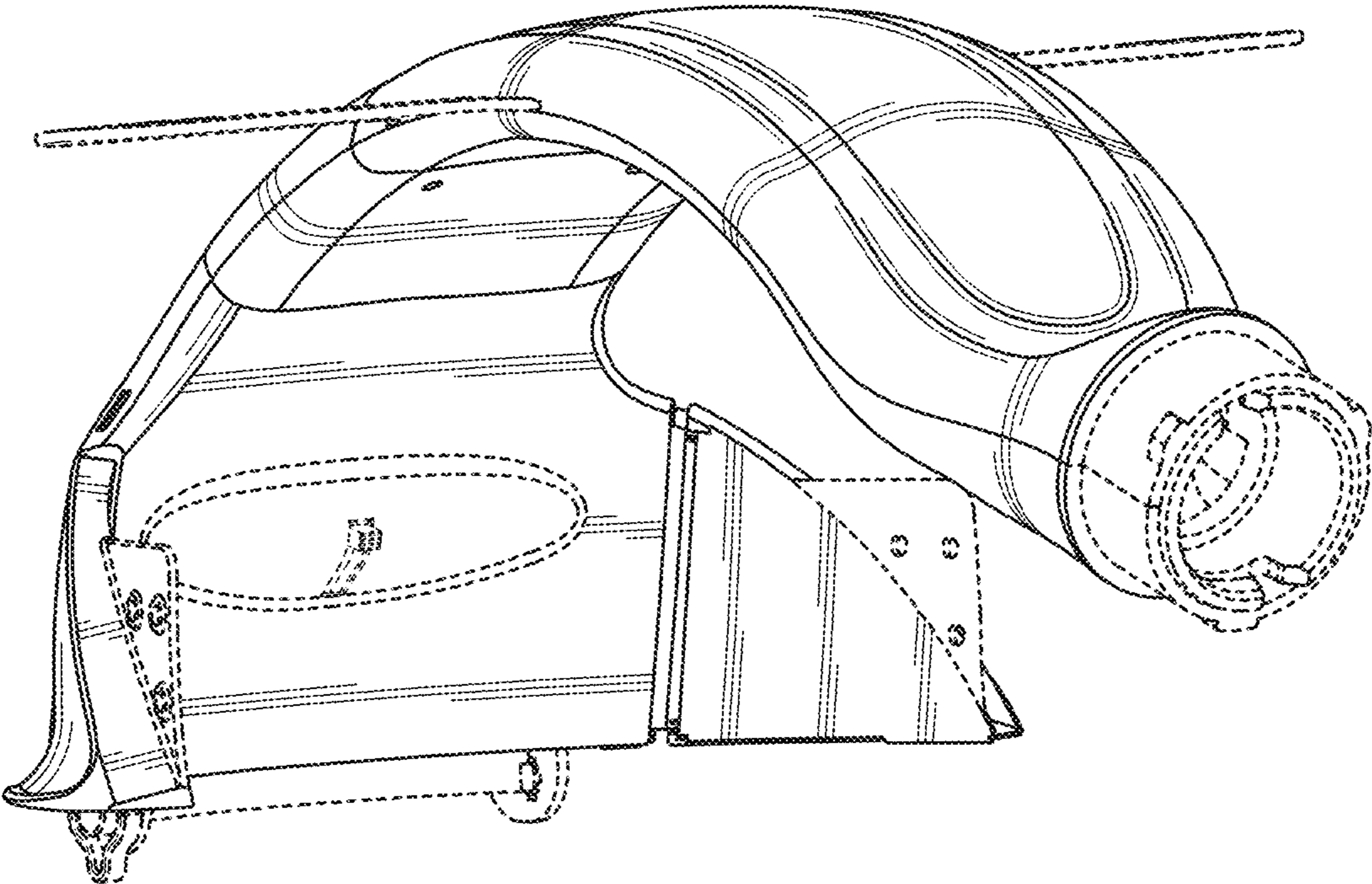


FIG. 1

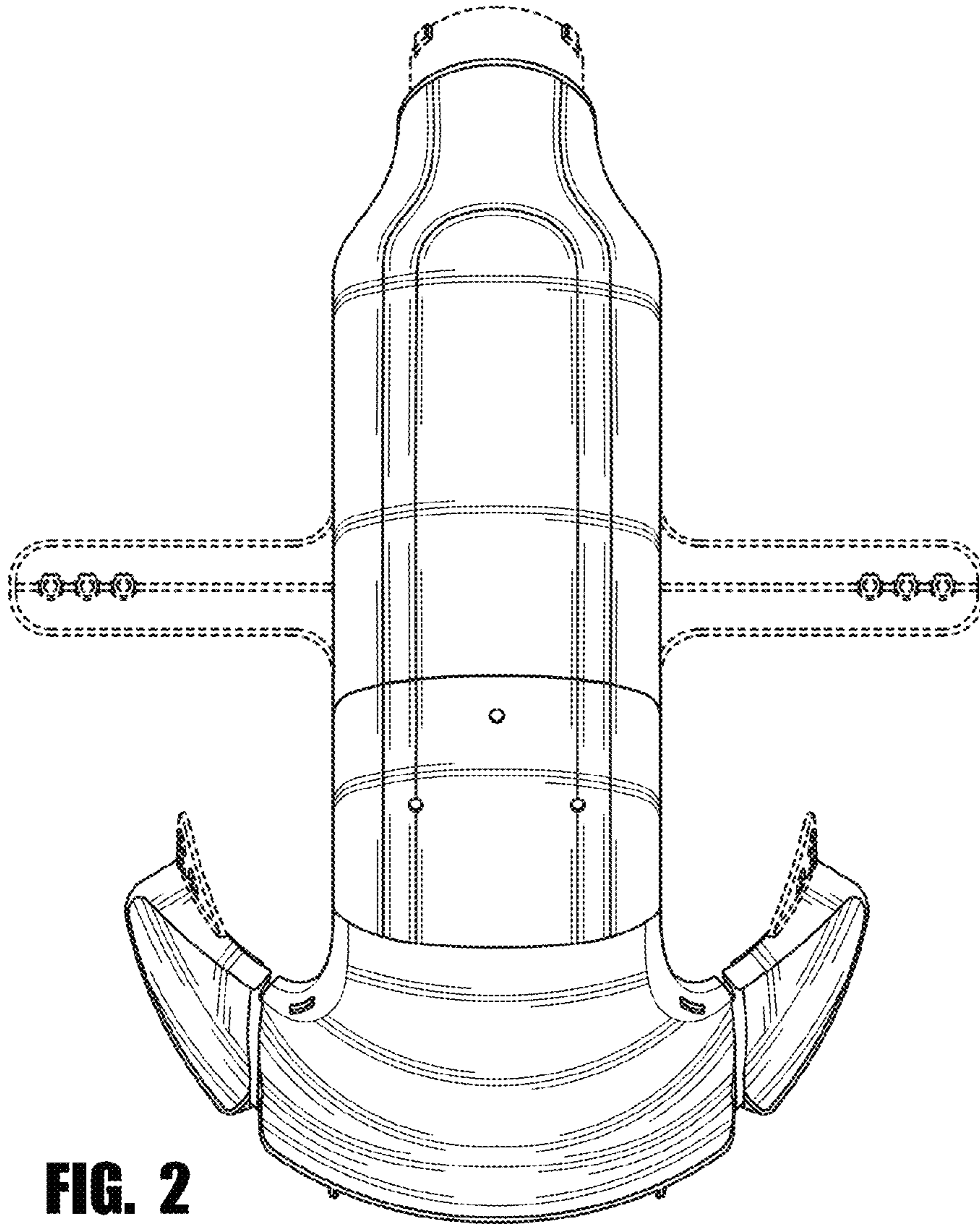


FIG. 2

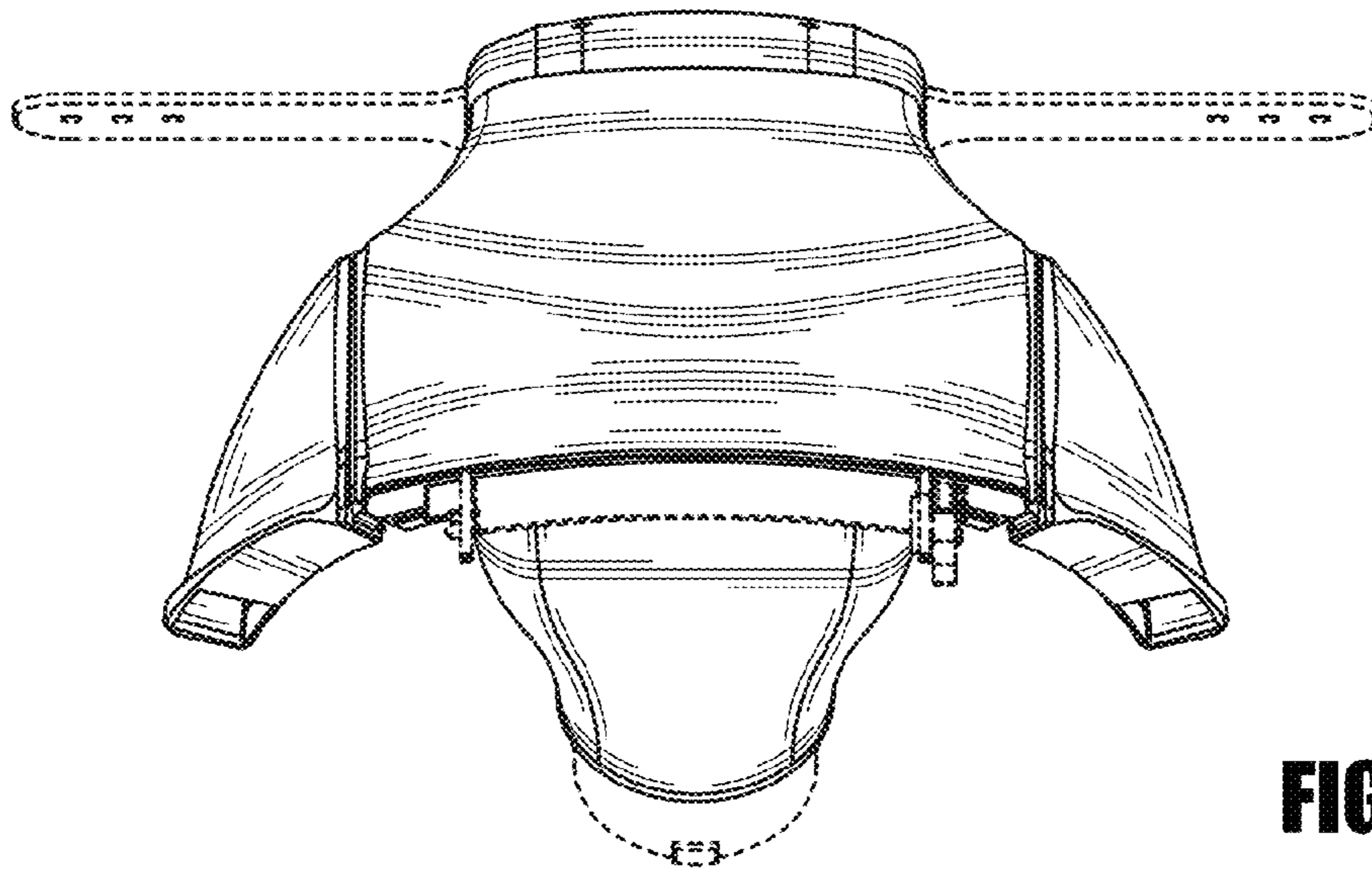


FIG. 3

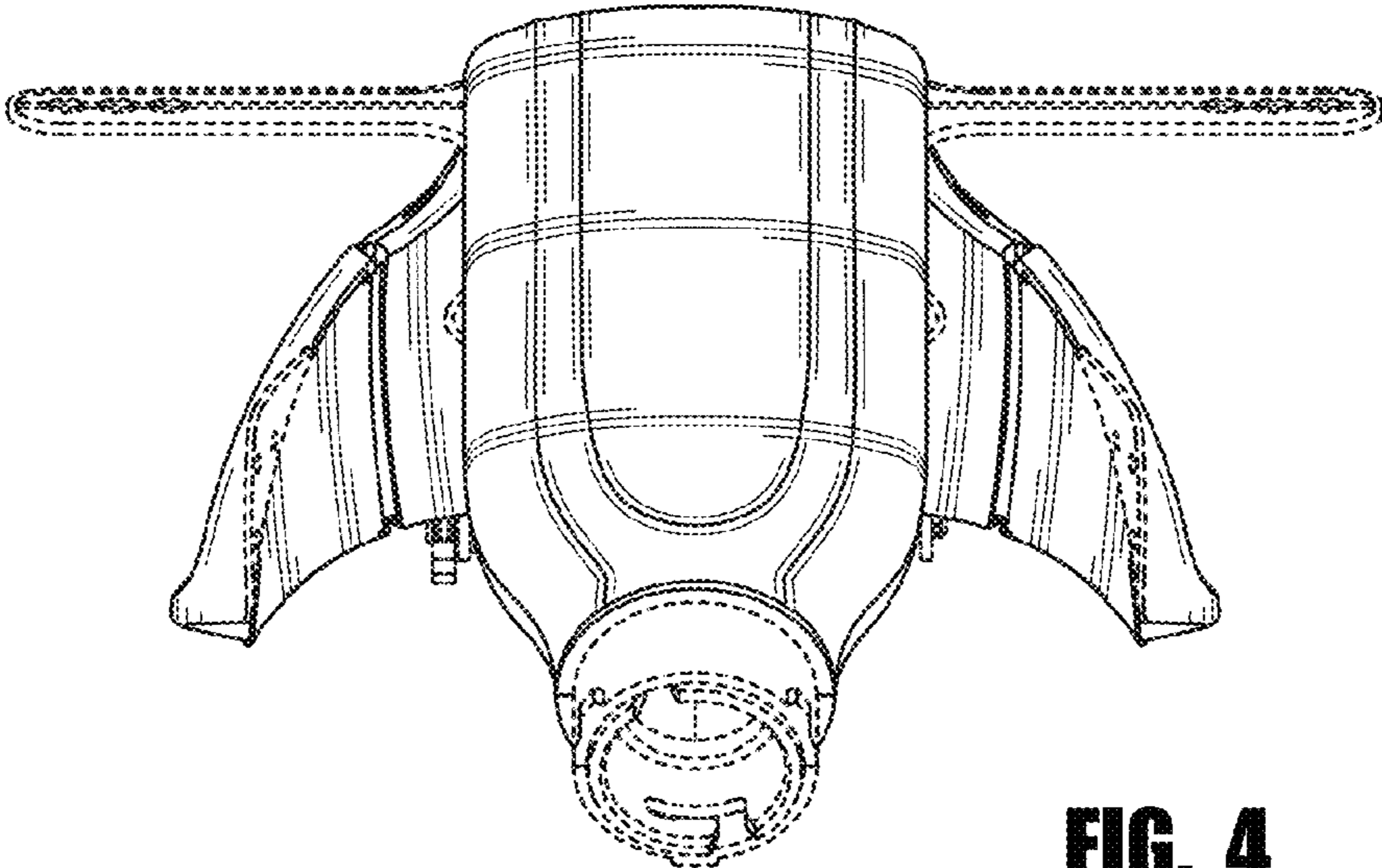


FIG. 4

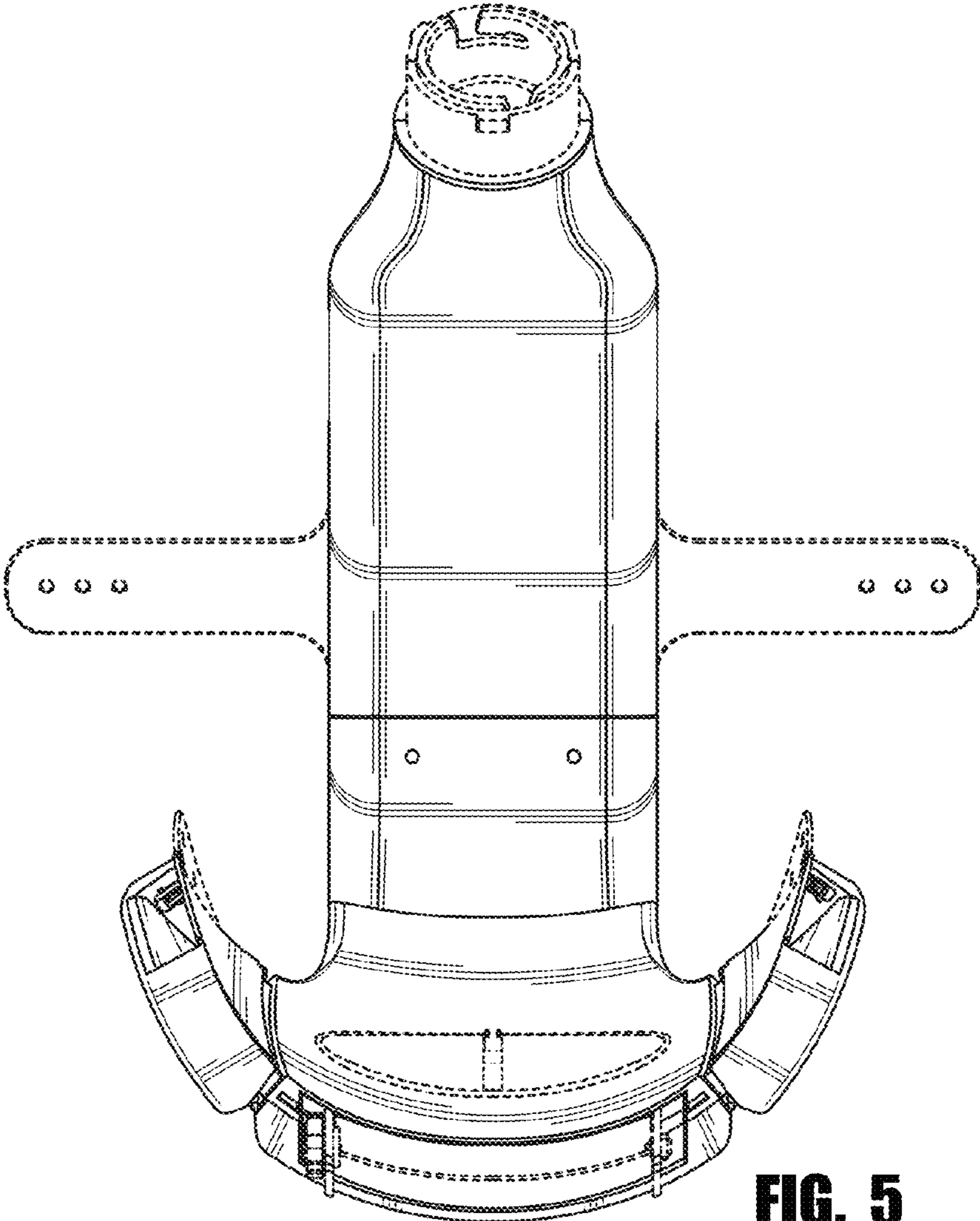


FIG. 5

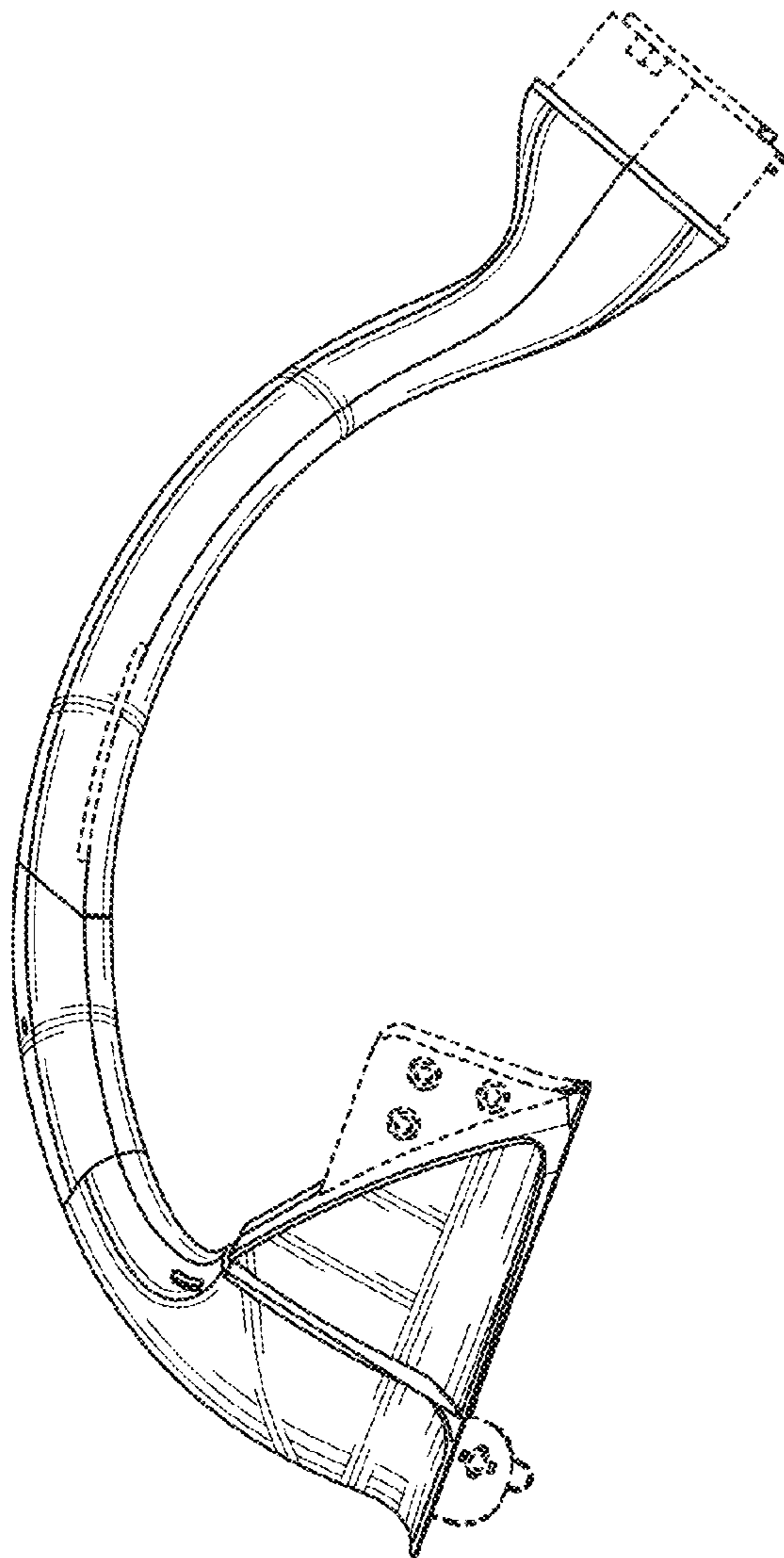


FIG. 6

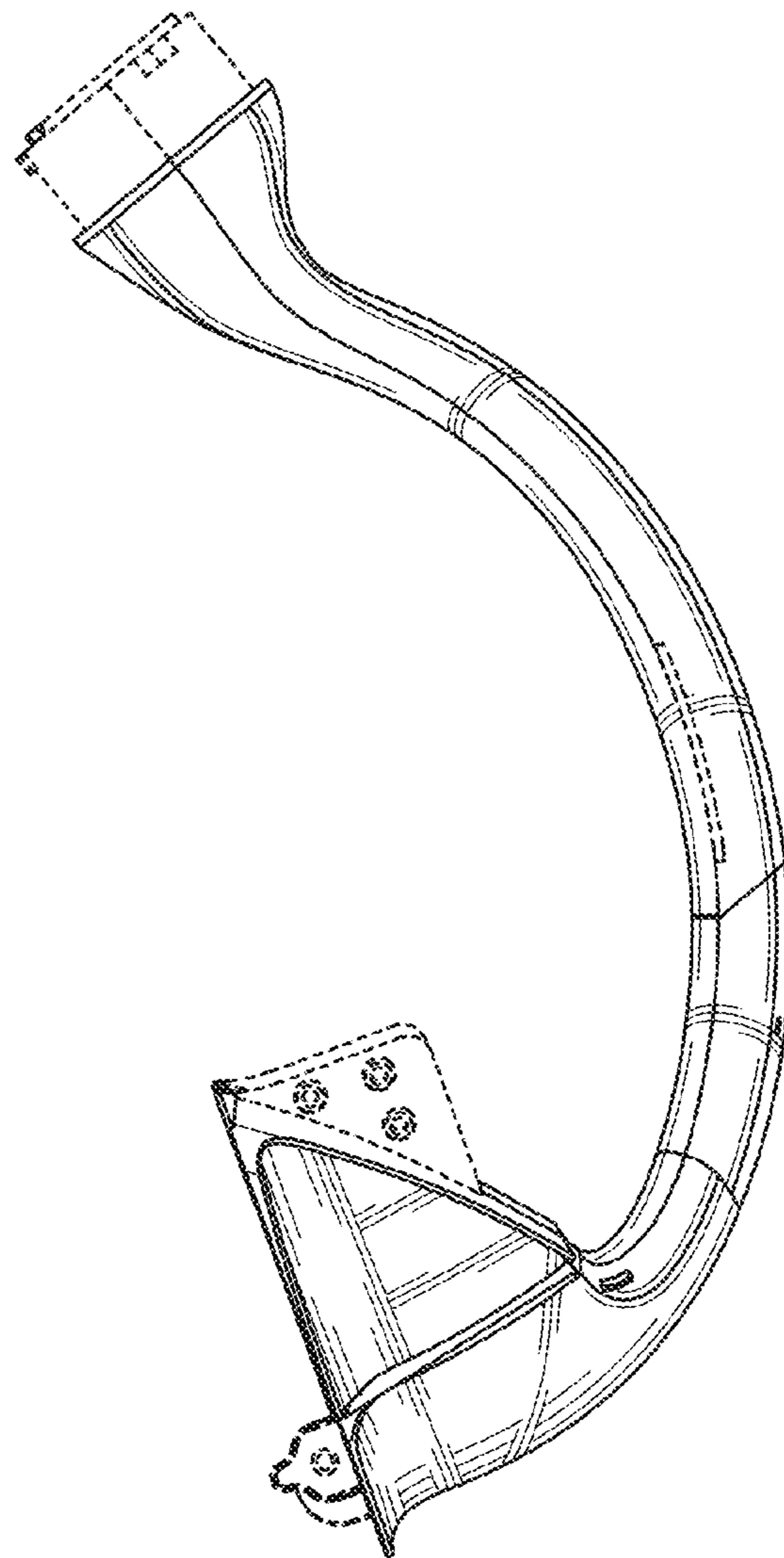


FIG. 7