



US00D731121S

(12) **United States Design Patent**
Washburn

(10) **Patent No.:** **US D731,121 S**
(45) **Date of Patent:** **** Jun. 2, 2015**

- (54) **HAIR FRAME**
- (71) Applicant: **Shaelyn Nicole Barbara Washburn,**
San Diego, CA (US)
- (72) Inventor: **Shaelyn Nicole Barbara Washburn,**
San Diego, CA (US)
- (**) Term: **14 Years**
- (21) Appl. No.: **29/475,229**
- (22) Filed: **Dec. 2, 2013**
- (51) **LOC (10) Cl.** **28-03**
- (52) **U.S. Cl.**
USPC **D28/93**
- (58) **Field of Classification Search**
USPC D28/39-43, 92, 93; 132/53-56, 201
CPC A41G 3/0041; A41G 3/0083
See application file for complete search history.

5,592,957 A *	1/1997	Gazzerro et al.	132/53
5,979,462 A *	11/1999	Jones	132/54
6,352,079 B1 *	3/2002	Bate	132/54
D592,356 S *	5/2009	Salinas	D28/92
2004/0168696 A1 *	9/2004	Cox	132/54

* cited by examiner

Primary Examiner — Zenia Bennett

(57) **CLAIM**

The ornamental design for a hair frame, as shown and described.

DESCRIPTION

FIG. 1 is a perspective view of a hair frame;
 FIG. 2 is a front view thereof;
 FIG. 3 is a rear view thereof;
 FIG. 4 is a right view thereof;
 FIG. 5 is a left view thereof;
 FIG. 6 is a top view thereof; and,
 FIG. 7 is a bottom view thereof.

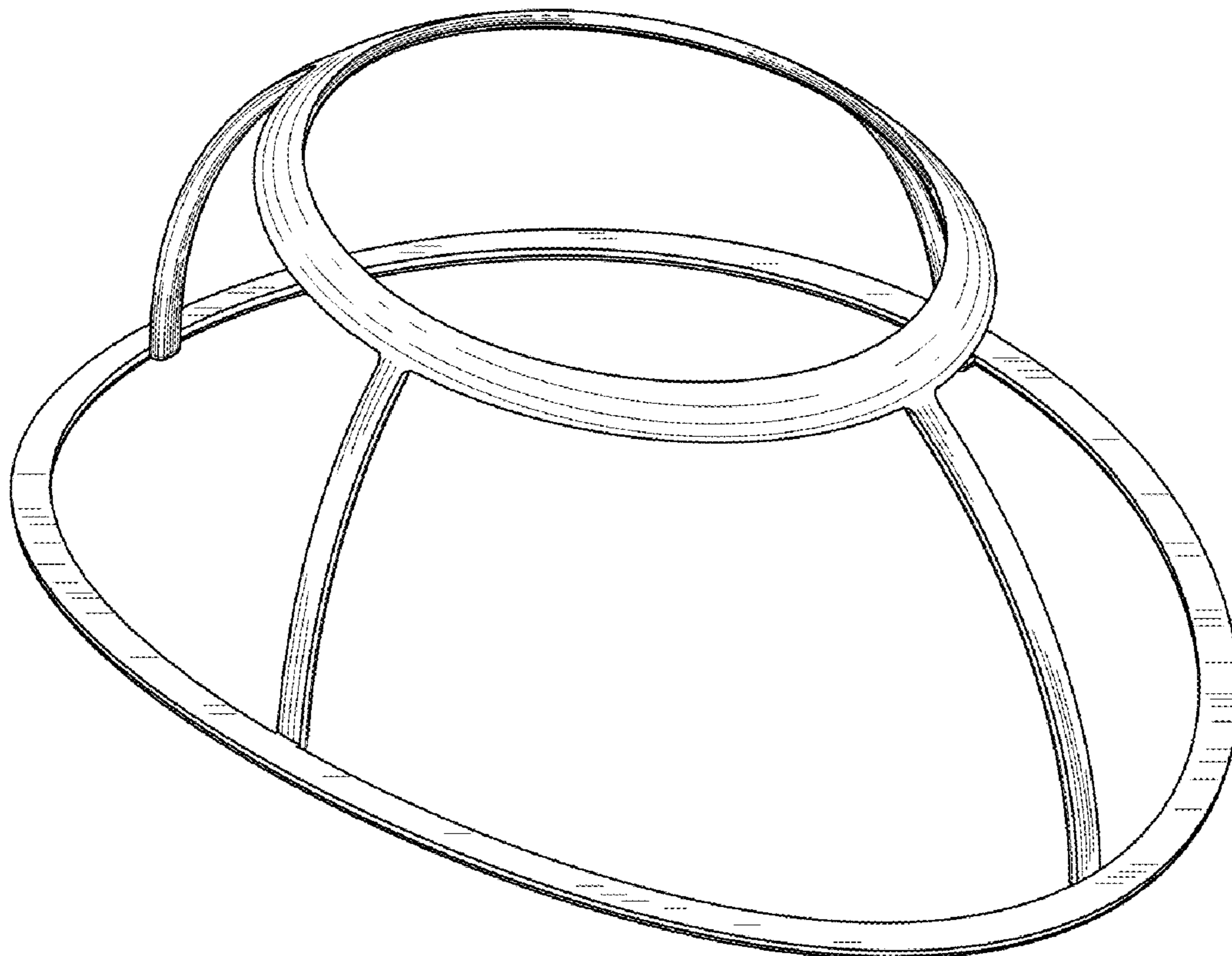
The broken line showing person is included for the purpose of illustrating environmental structure and forms no part of the claimed design.

(56) **References Cited**

U.S. PATENT DOCUMENTS

3,688,779 A *	9/1972	Greco	132/53
3,809,100 A *	5/1974	Megna	132/53

1 Claim, 7 Drawing Sheets



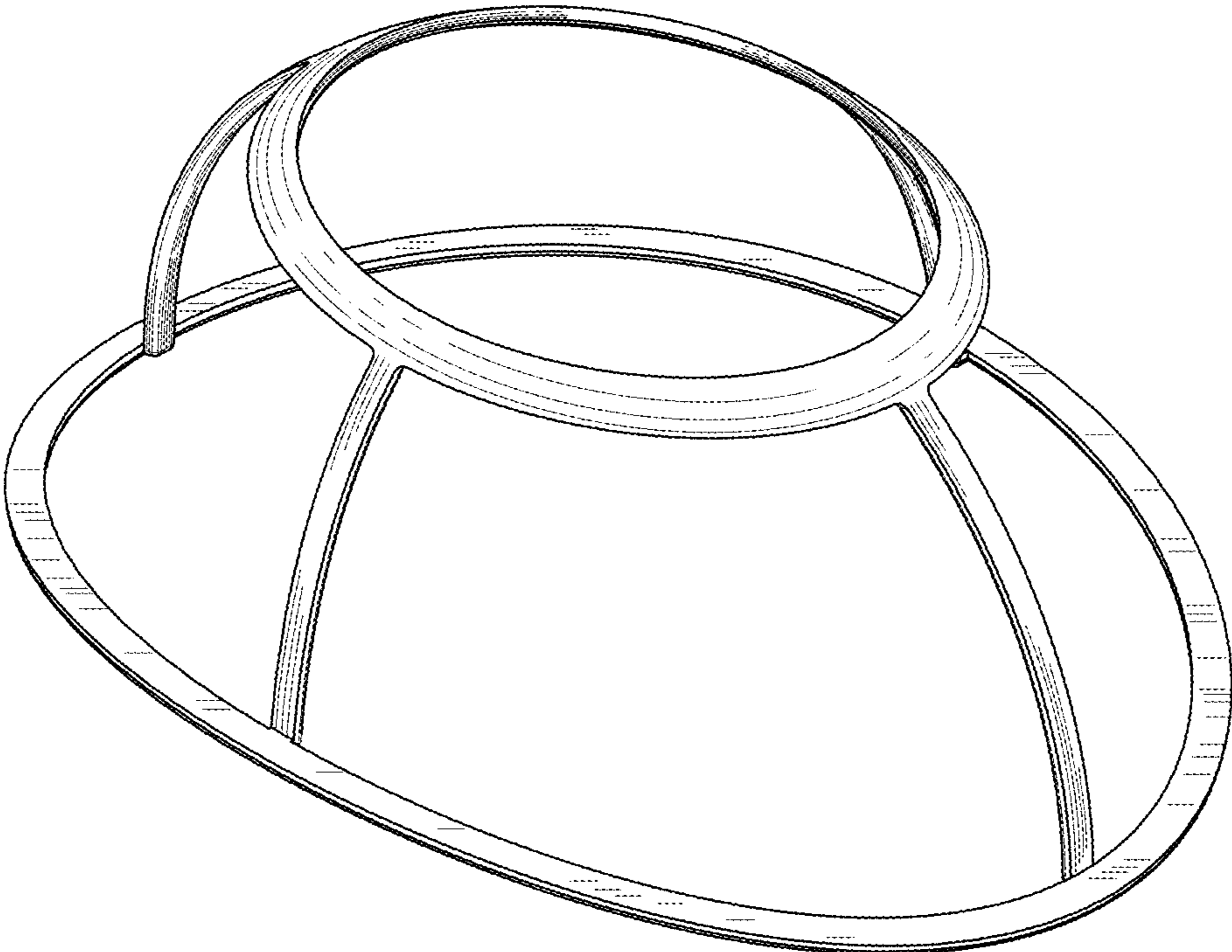


FIG. 1

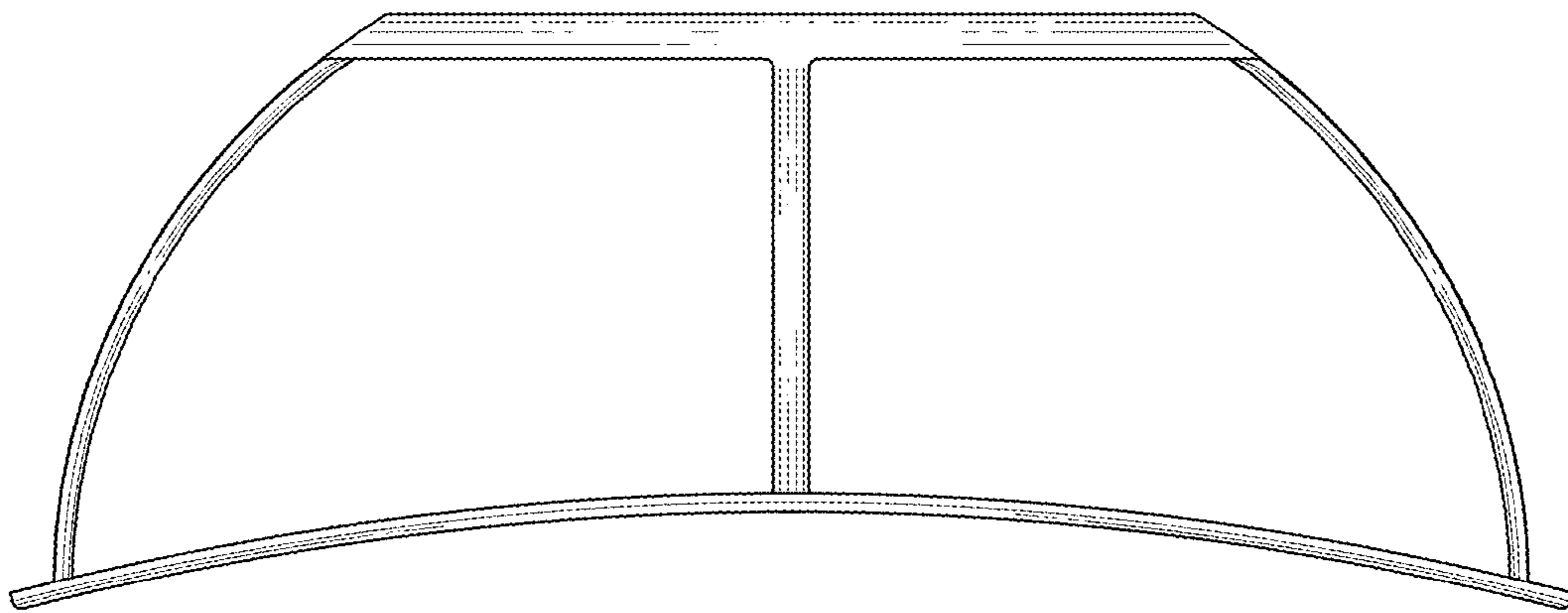


FIG. 2

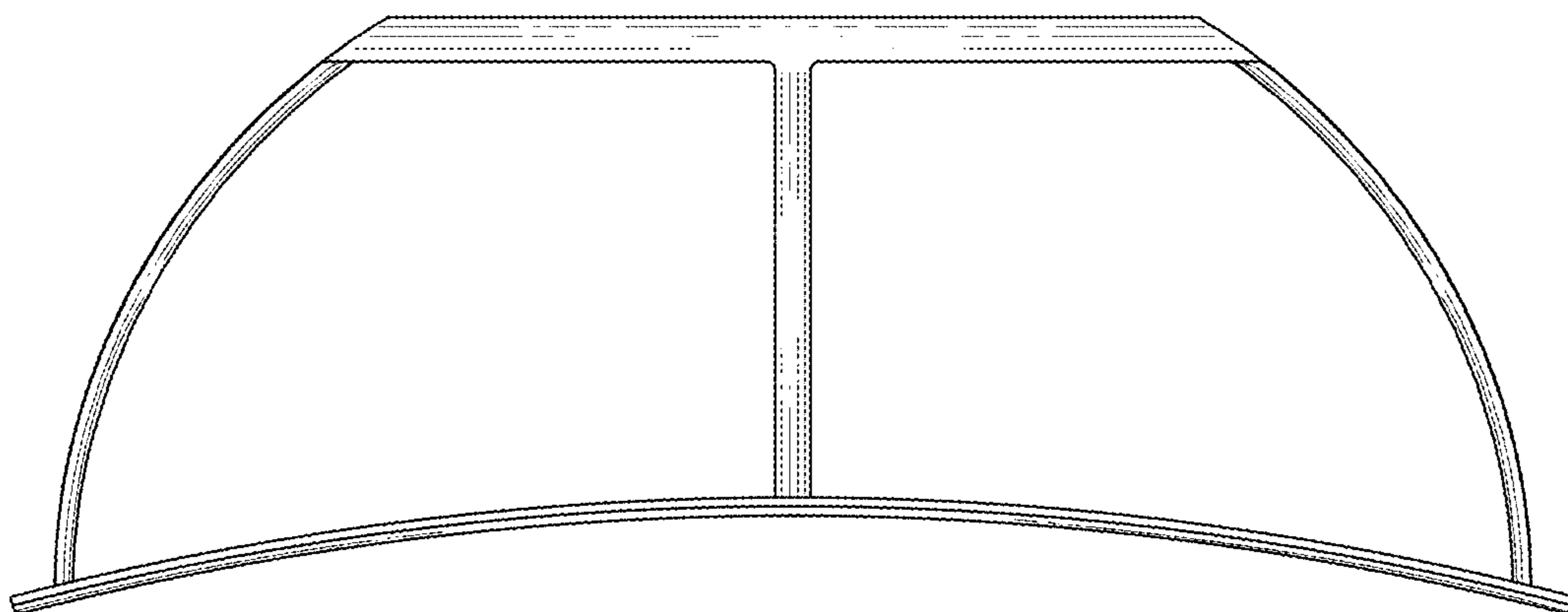


FIG. 3

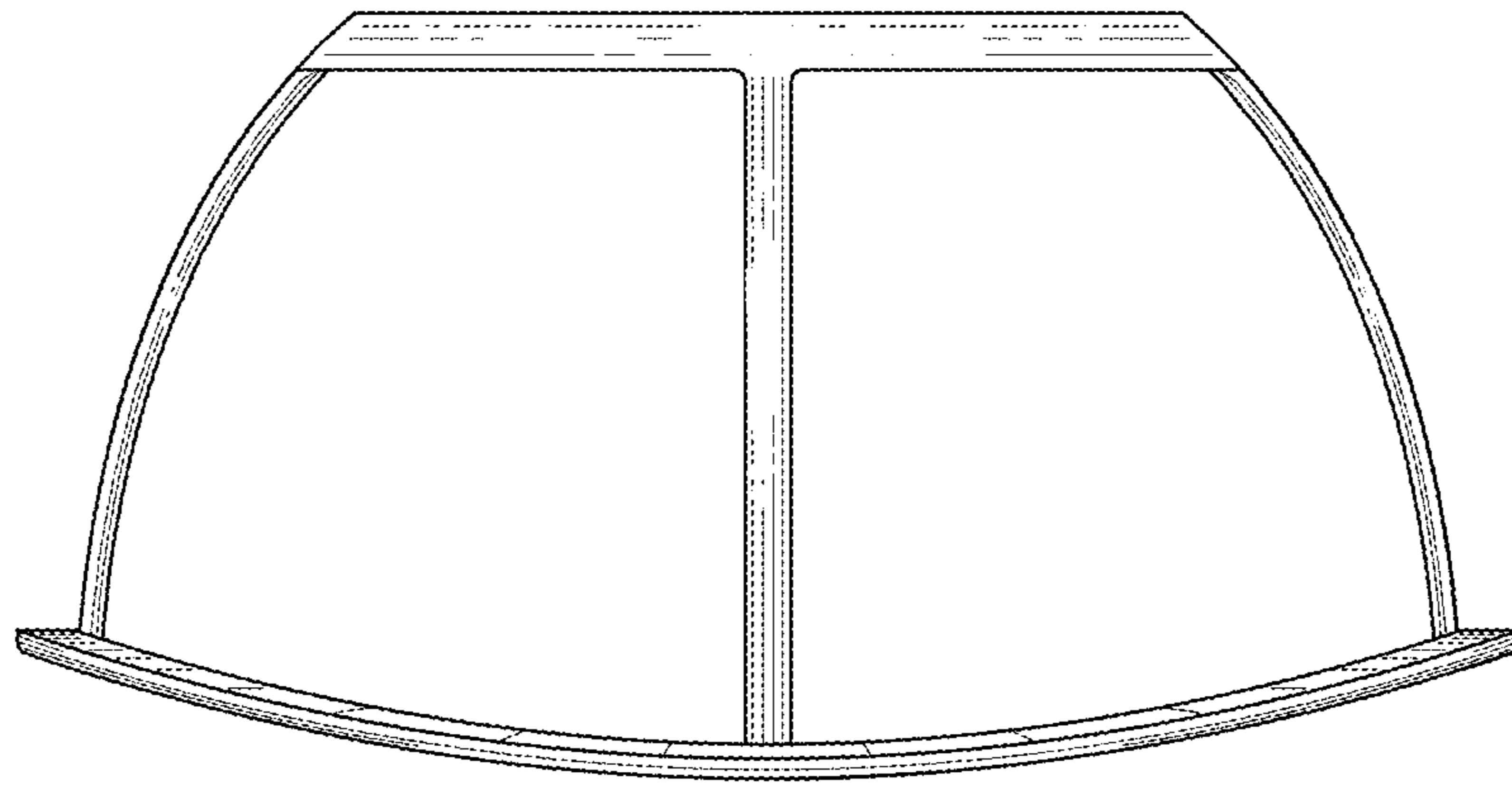


FIG. 4

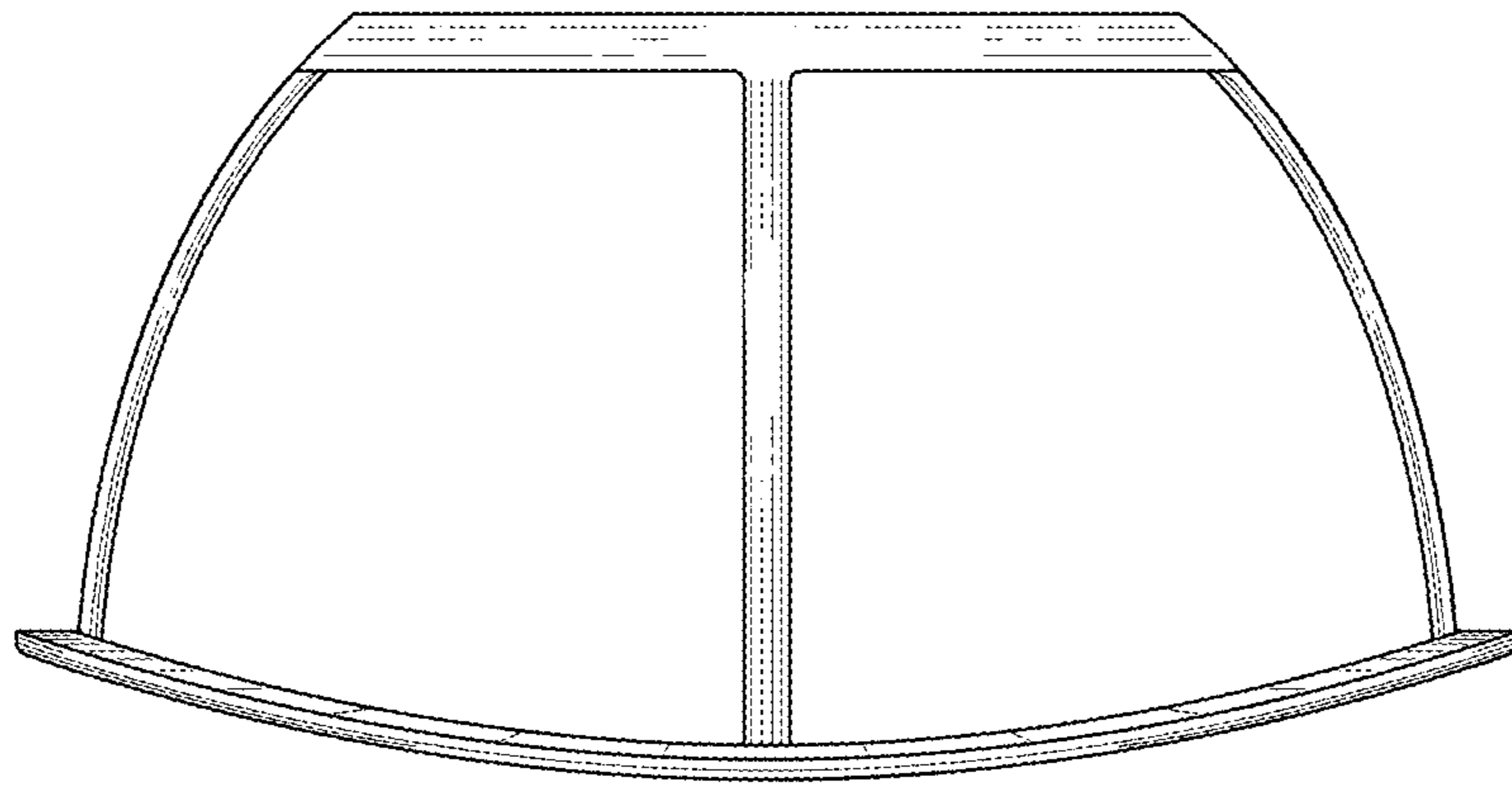


FIG. 5

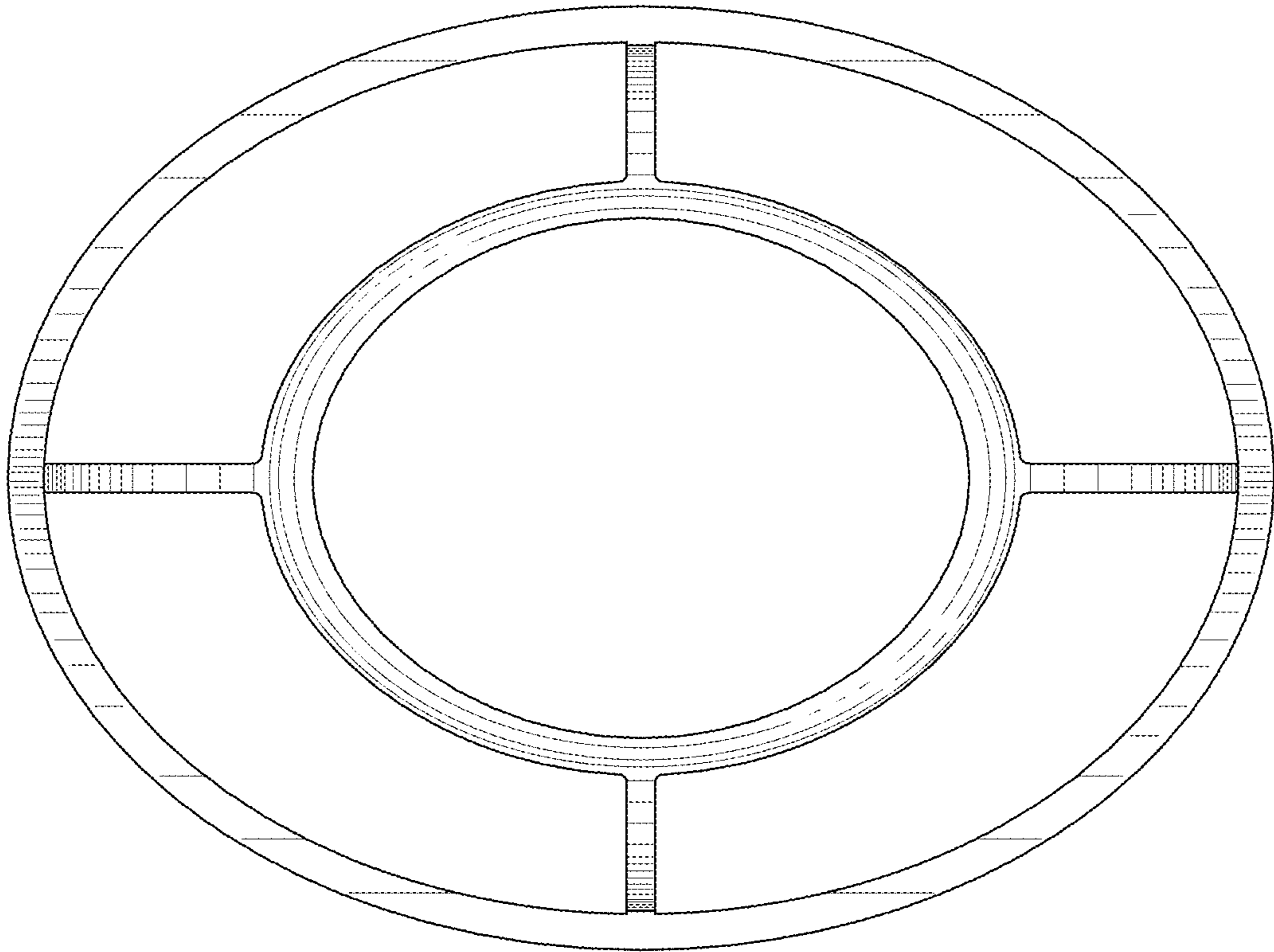


FIG. 6

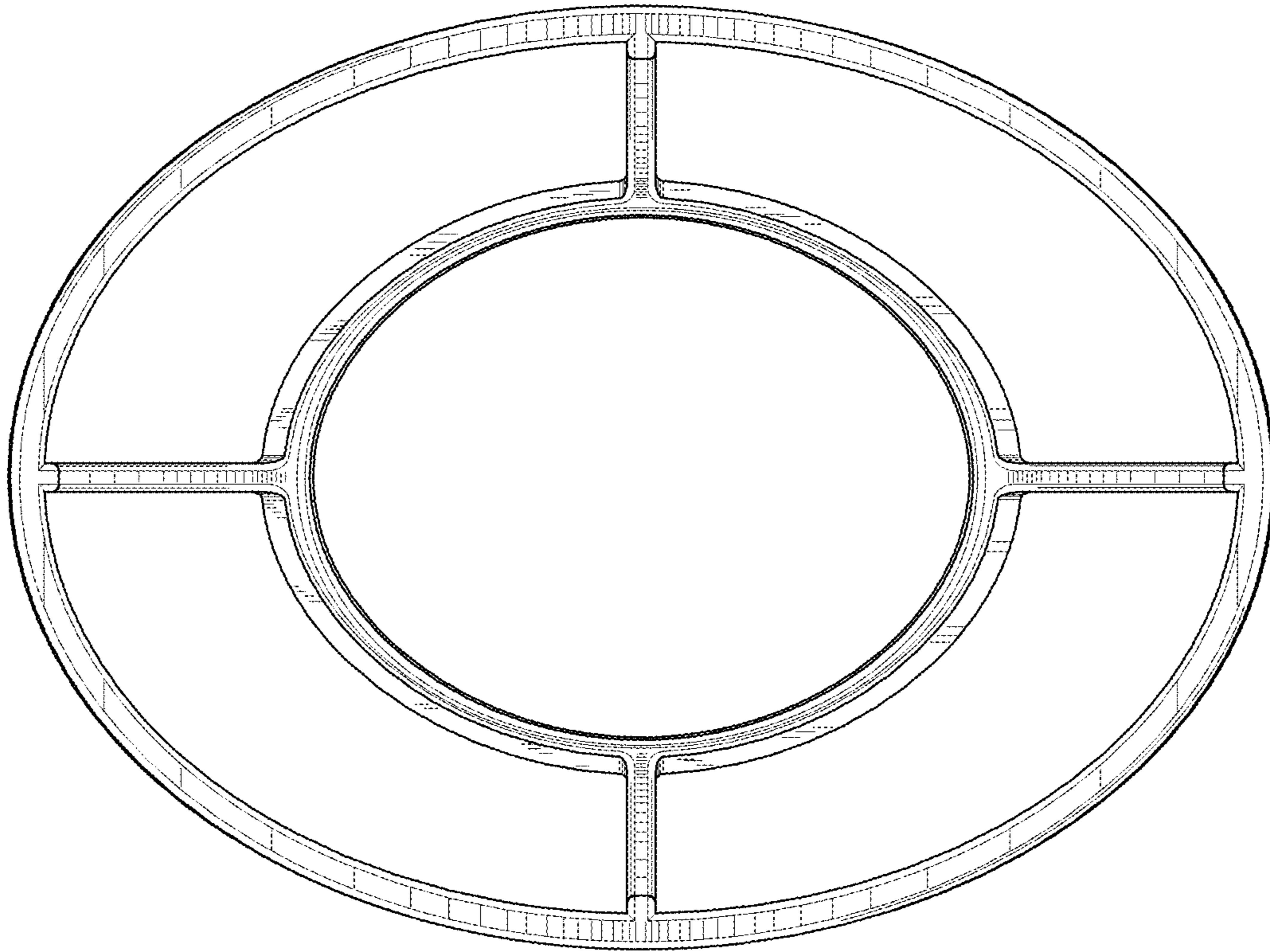


FIG. 7