



US00D731119S

(12) **United States Design Patent**  
**Daniel et al.**

(10) **Patent No.:** **US D731,119 S**  
(45) **Date of Patent:** **\*\* Jun. 2, 2015**

(54) **RAZOR**

(71) Applicants: **Isaac S. Daniel**, Miramar, FL (US);  
**Basel Saleh**, Miramar, FL (US)

(72) Inventors: **Isaac S. Daniel**, Miramar, FL (US);  
**Basel Saleh**, Miramar, FL (US)

(73) Assignee: **Isaac Daniel Group, Inc.**

(\*\*) Term: **14 Years**

(21) Appl. No.: **29/498,875**

(22) Filed: **Aug. 8, 2014**

(51) **LOC (10) Cl.** ..... **28-03**

(52) **U.S. Cl.**  
USPC ..... **D28/46**

(58) **Field of Classification Search**  
USPC ..... D28/44-48  
CPC ..... B26B 21/00-21/12; B26B 21/14;  
B26B 21/16; B26B 21/18; B26B  
21/20-21/227; B26B 21/4062; B26B 21/4068;  
B26B 21/4075; B26B 21/52-21/528

See application file for complete search history.

(56) **References Cited**

U.S. PATENT DOCUMENTS

D396,129 S *	7/1998	Gray	.....	D28/46
8,096,054 B2 *	1/2012	Denkert et al.	.....	30/50
2009/0100679 A1 *	4/2009	Casciaro et al.	.....	30/34.05
2009/0255136 A1 *	10/2009	Blackburn	.....	30/526

\* cited by examiner

*Primary Examiner* — Jennifer Rivard

(74) *Attorney, Agent, or Firm* — Carol N. Green Kaul, Esq.

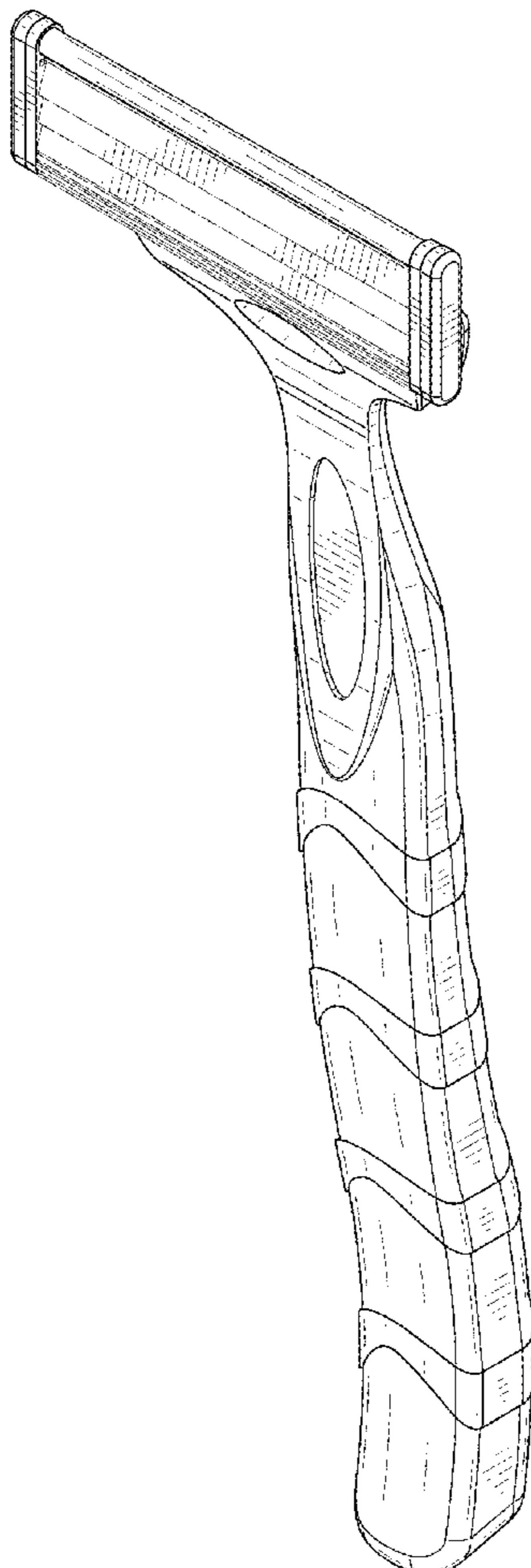
(57) **CLAIM**

The ornamental design for a razor, as shown and described.

**DESCRIPTION**

FIG. 1 is a front perspective view of the invention.  
FIG. 2 is a rear perspective view of the invention.  
FIG. 3 is a side perspective view of the invention.  
FIG. 4 is a front elevation view of the invention.  
FIG. 5 is a rear elevation view of the invention.  
FIG. 6 is a side elevation view of the invention.  
FIG. 7 is a top plan view of the invention; and,  
FIG. 8 is a bottom plan view of the invention.

**1 Claim, 6 Drawing Sheets**



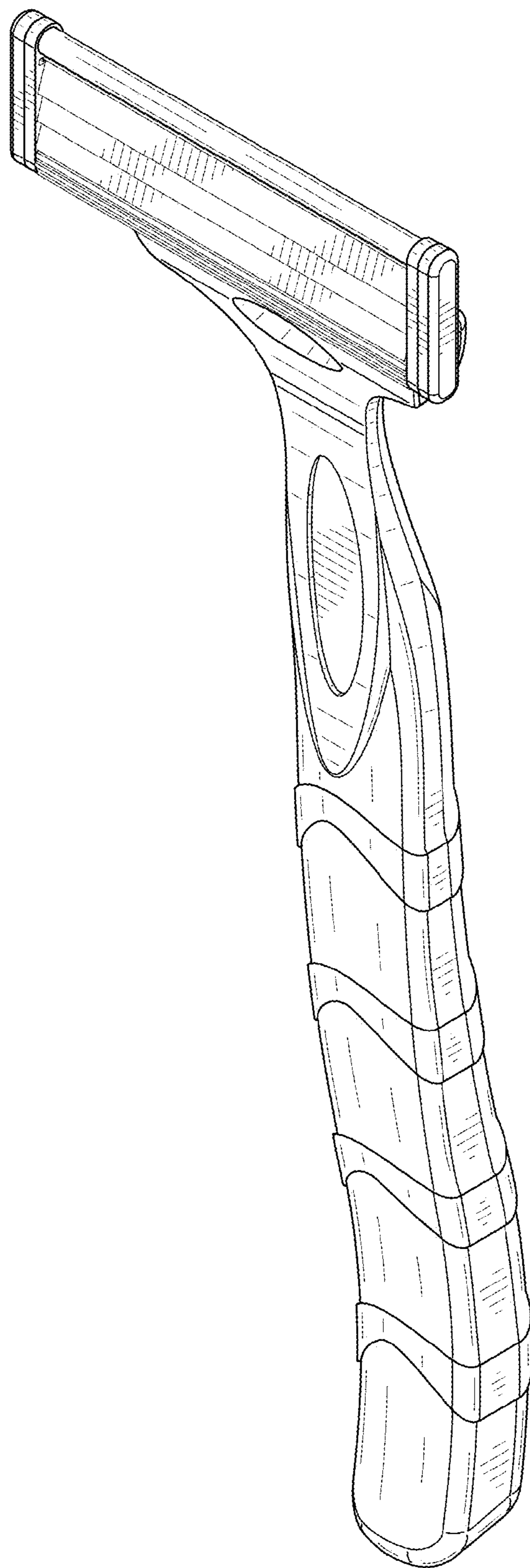


FIG. 1

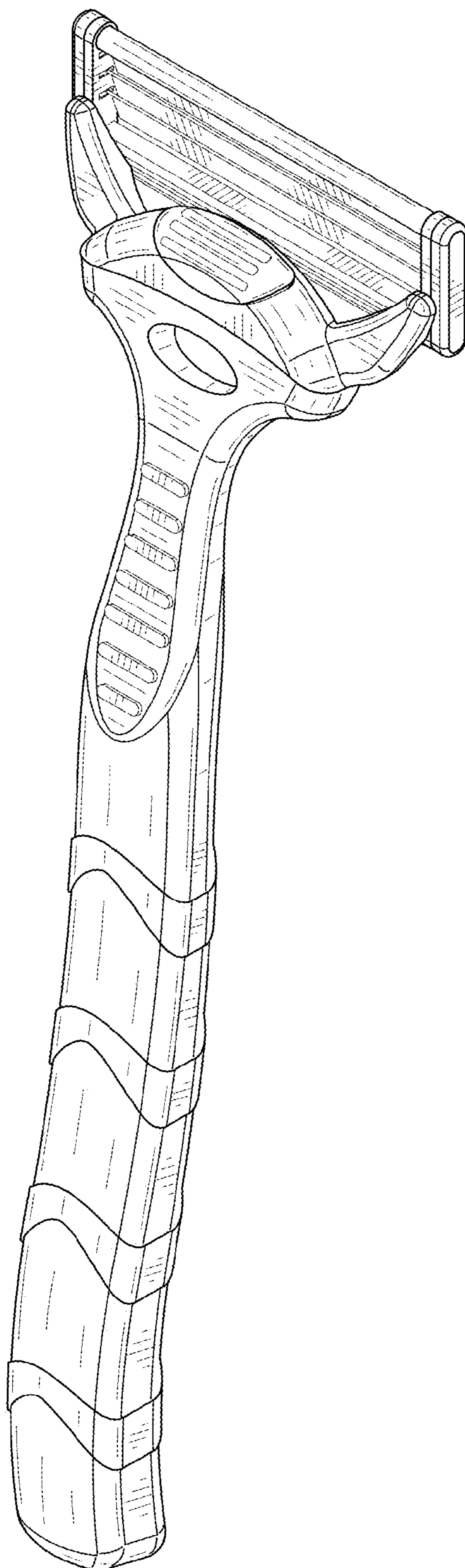


FIG. 2

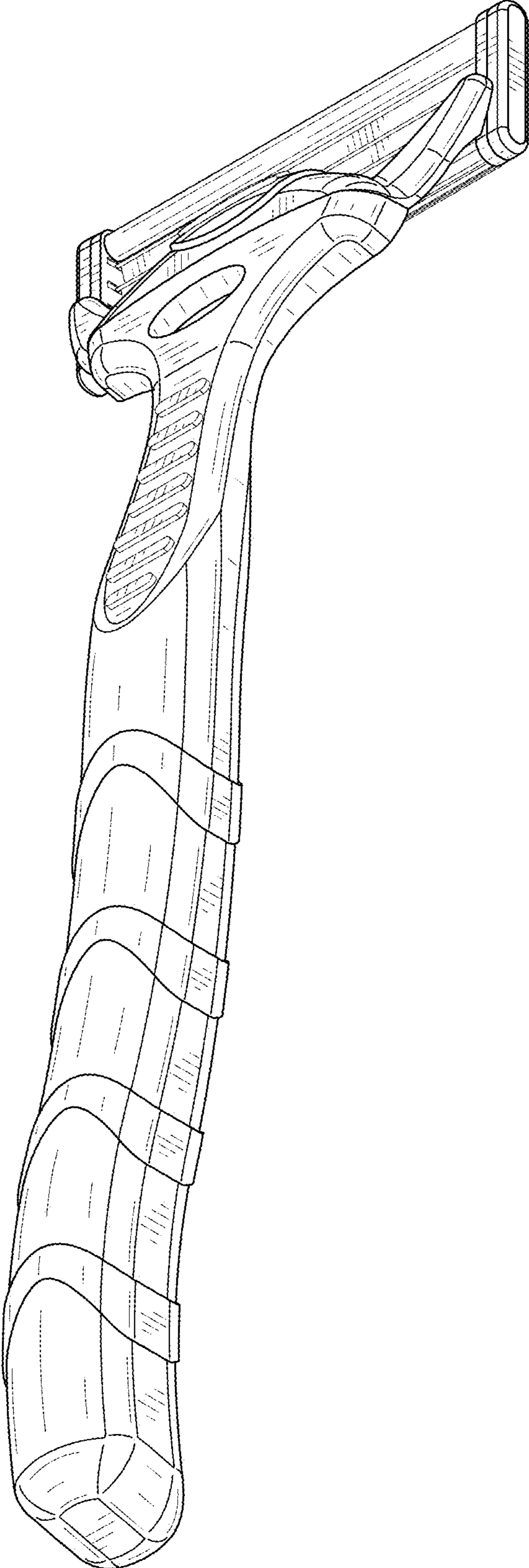


FIG. 3

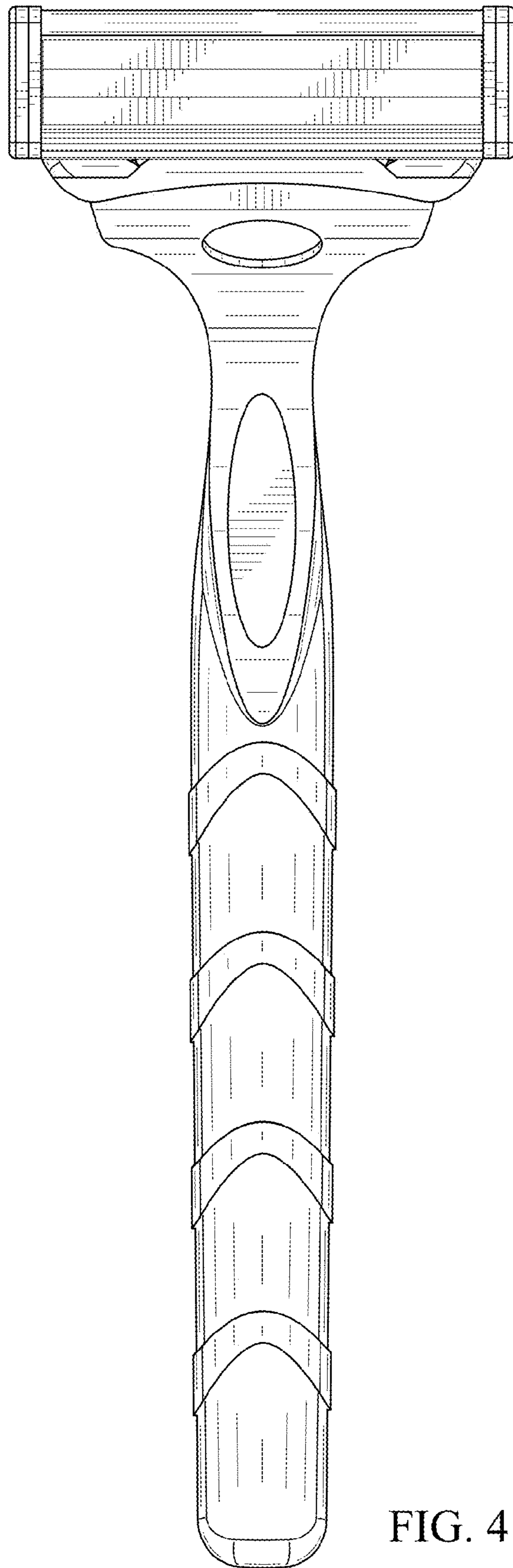


FIG. 4

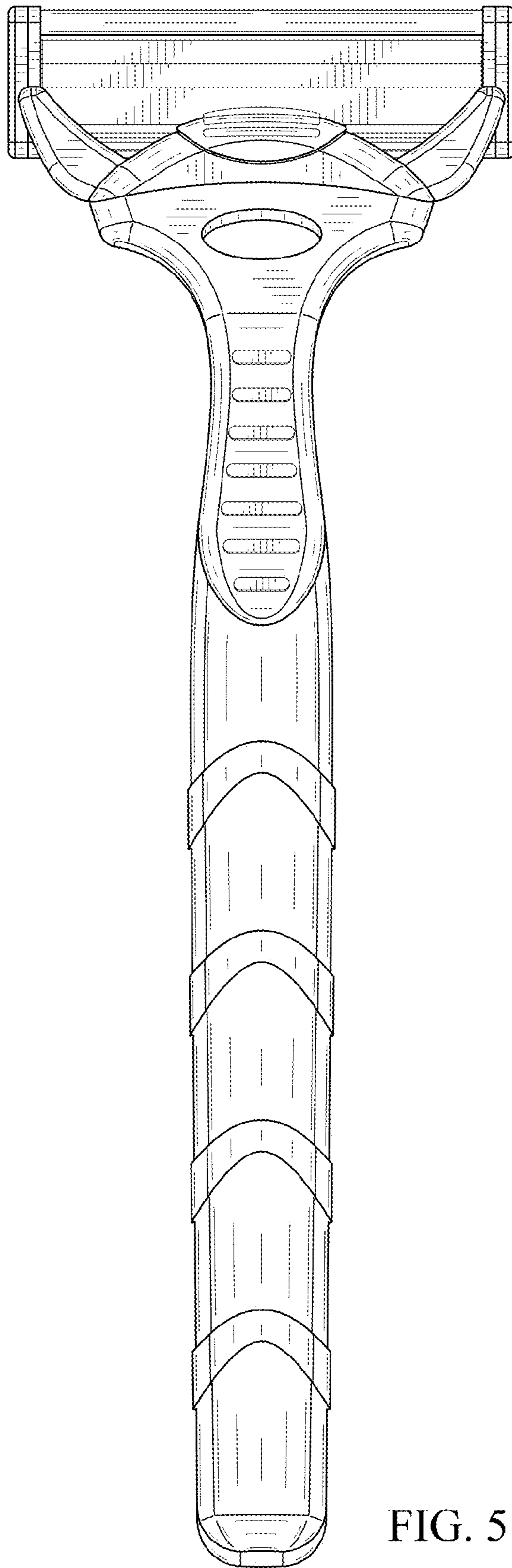


FIG. 5

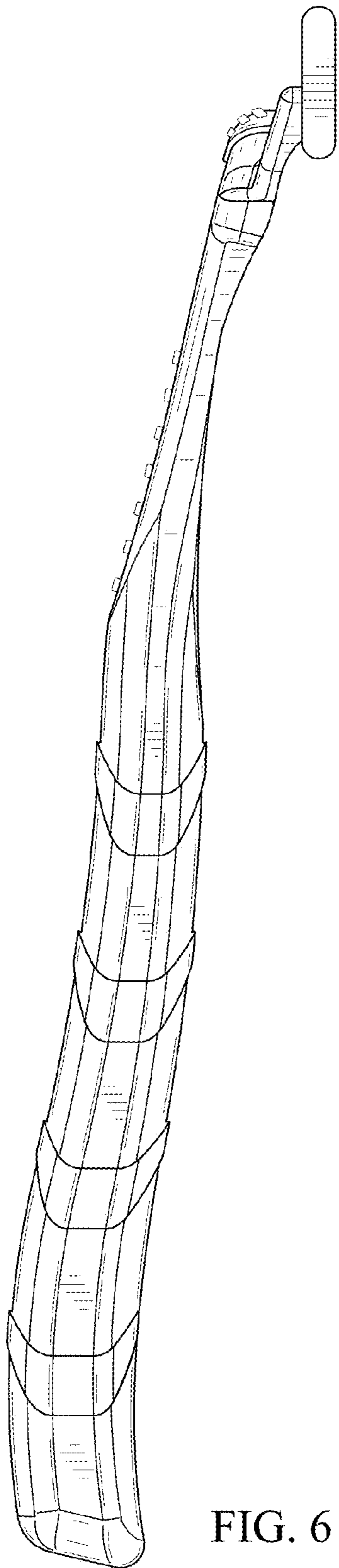


FIG. 6

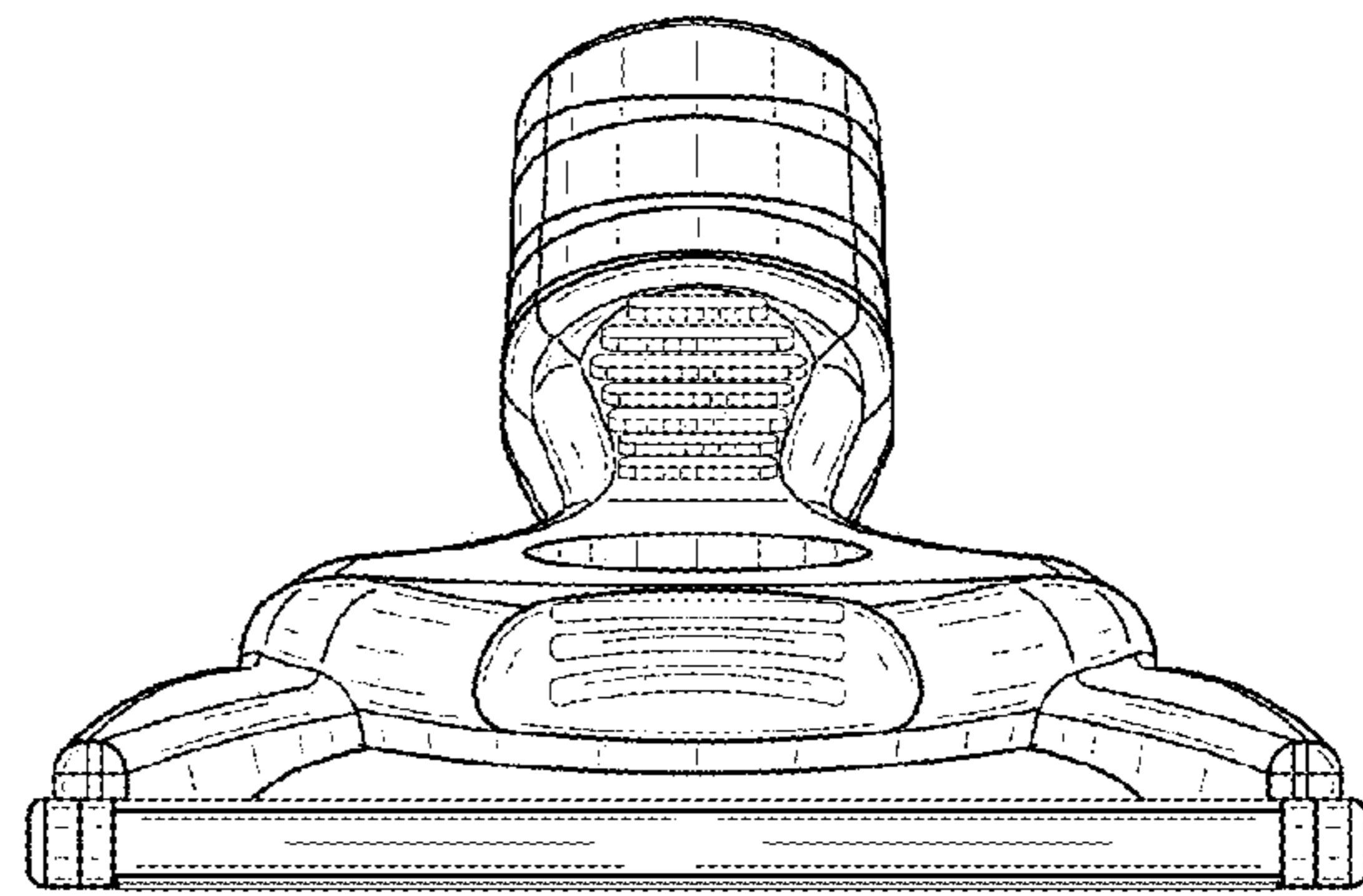


FIG. 7

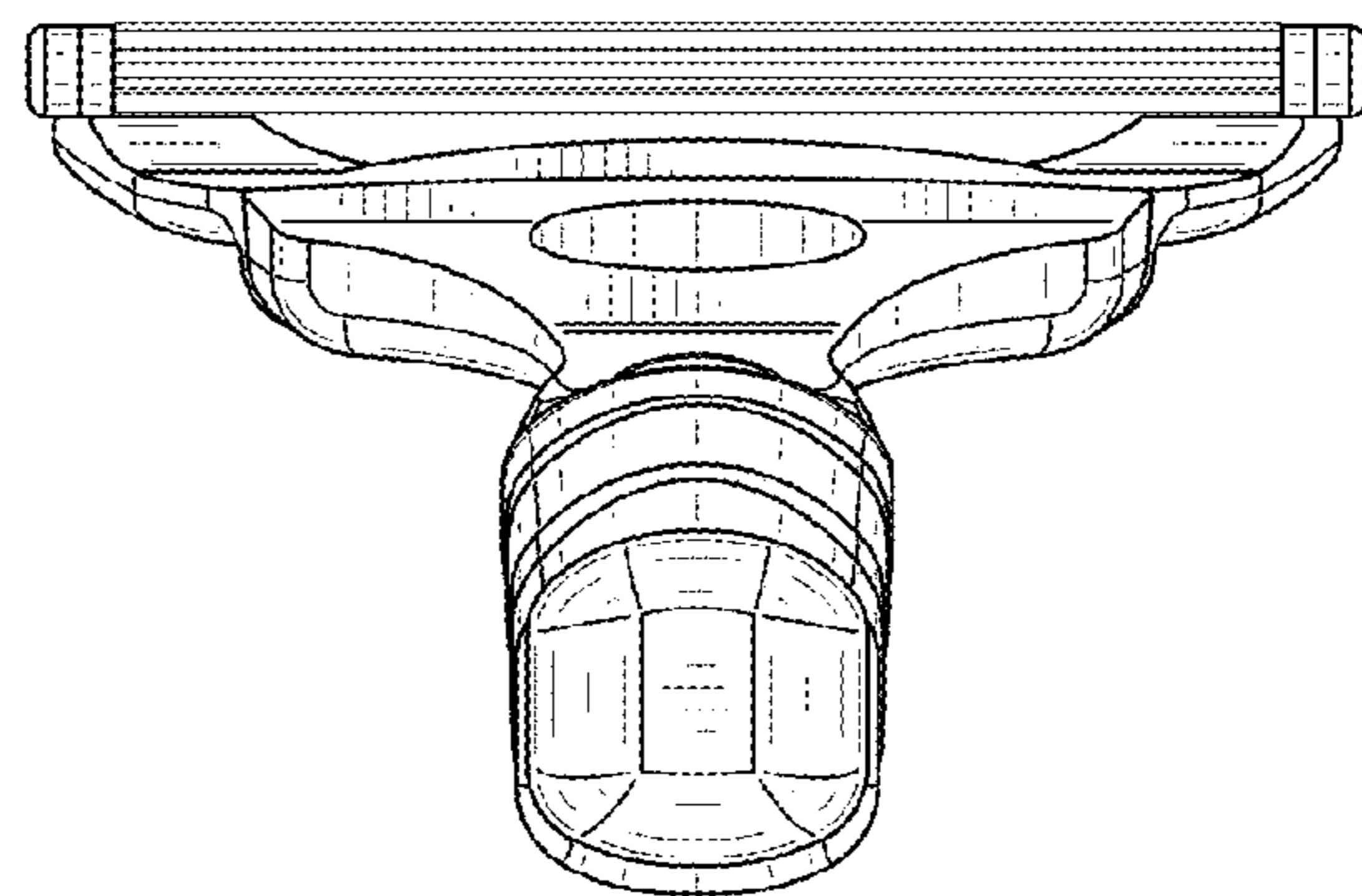


FIG. 8