



US00D731118S

(12) **United States Design Patent**
Wenzel

(10) **Patent No.:** **US D731,118 S**
(45) **Date of Patent:** **** Jun. 2, 2015**

- (54) **PONYTAIL HOLDER EXTENSION**
- (71) Applicant: **Cheryl Marie Wenzel**, Santa Clara, CA (US)
- (72) Inventor: **Cheryl Marie Wenzel**, Santa Clara, CA (US)
- (**) Term: **14 Years**
- (21) Appl. No.: **29/503,793**
- (22) Filed: **Sep. 30, 2014**
- (51) **LOC (10) Cl.** **28-03**
- (52) **U.S. Cl.**
USPC **D28/41**
- (58) **Field of Classification Search**
USPC D11/1-6; D28/21-34, 39-43; 132/101, 132/126, 128-131, 144, 219, 275-284
CPC A45D 8/34; A45D 8/36
See application file for complete search history.

- 6,305,386 B1 * 10/2001 Wochadlo 132/275
- D451,246 S * 11/2001 Zuckerman D28/41
- D473,973 S * 4/2003 Shefsky et al. D28/39
- D509,320 S * 9/2005 Shefsky et al. D28/41
- D510,779 S * 10/2005 Gladwin et al. D28/34
- D511,022 S * 10/2005 Gladwin et al. D28/34
- D597,252 S * 7/2009 Pretorius D28/32

* cited by examiner

Primary Examiner — Zenia Bennett

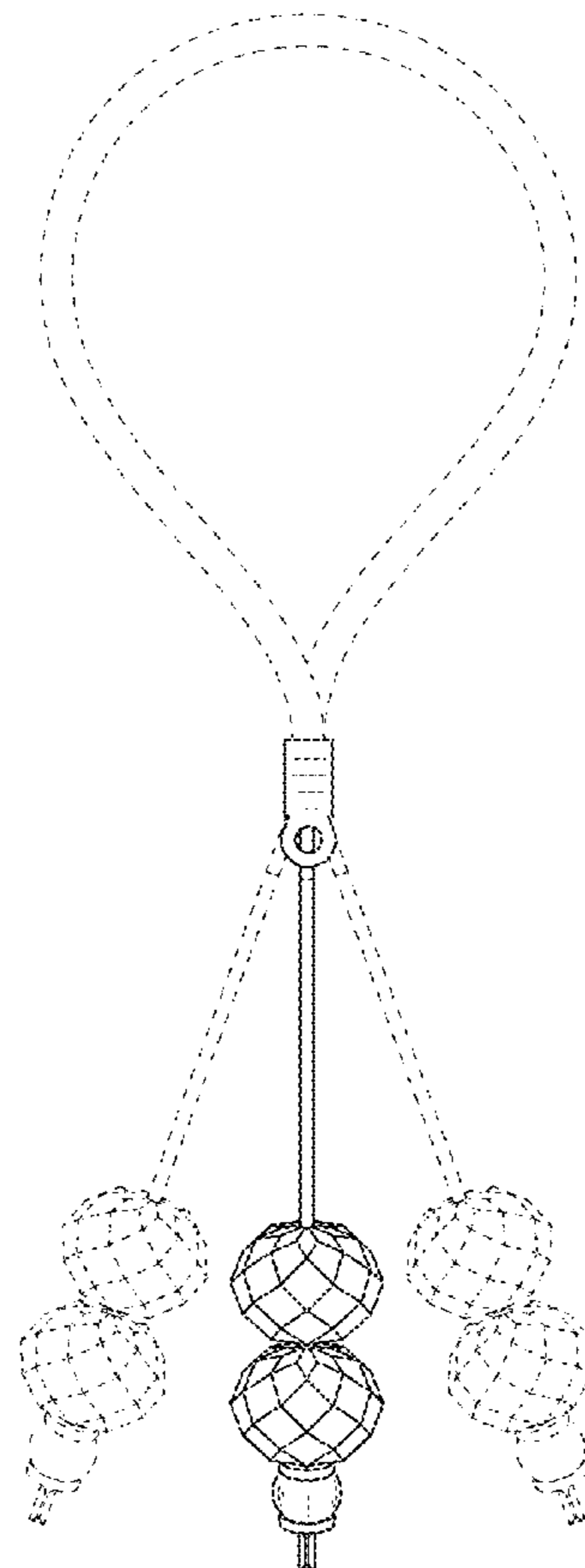
(57) **CLAIM**
The ornamental design for a ponytail holder extension, as shown and described.

DESCRIPTION

FIG. 1 is a perspective front view of a ponytail holder extension;
 FIG. 2 is a front elevation view thereof;
 FIG. 3 is a rear elevation view thereof;
 FIG. 4 is a left side elevation view thereof; the right side elevation view being a mirror image thereof;
 FIG. 5 is a top elevation view thereof; and,
 FIG. 6 is a bottom elevation view thereof.
 The broken lines shown in the drawings that illustrate portions of a ponytail holder and additional ponytail holder extensions form no part of the claimed design.

1 Claim, 3 Drawing Sheets

- (56) **References Cited**
U.S. PATENT DOCUMENTS
D430,704 S * 9/2000 Spurrell et al. D28/39
D432,718 S * 10/2000 Sartena D28/40
D434,184 S * 11/2000 Acker D28/41
D443,724 S * 6/2001 Neary D28/41



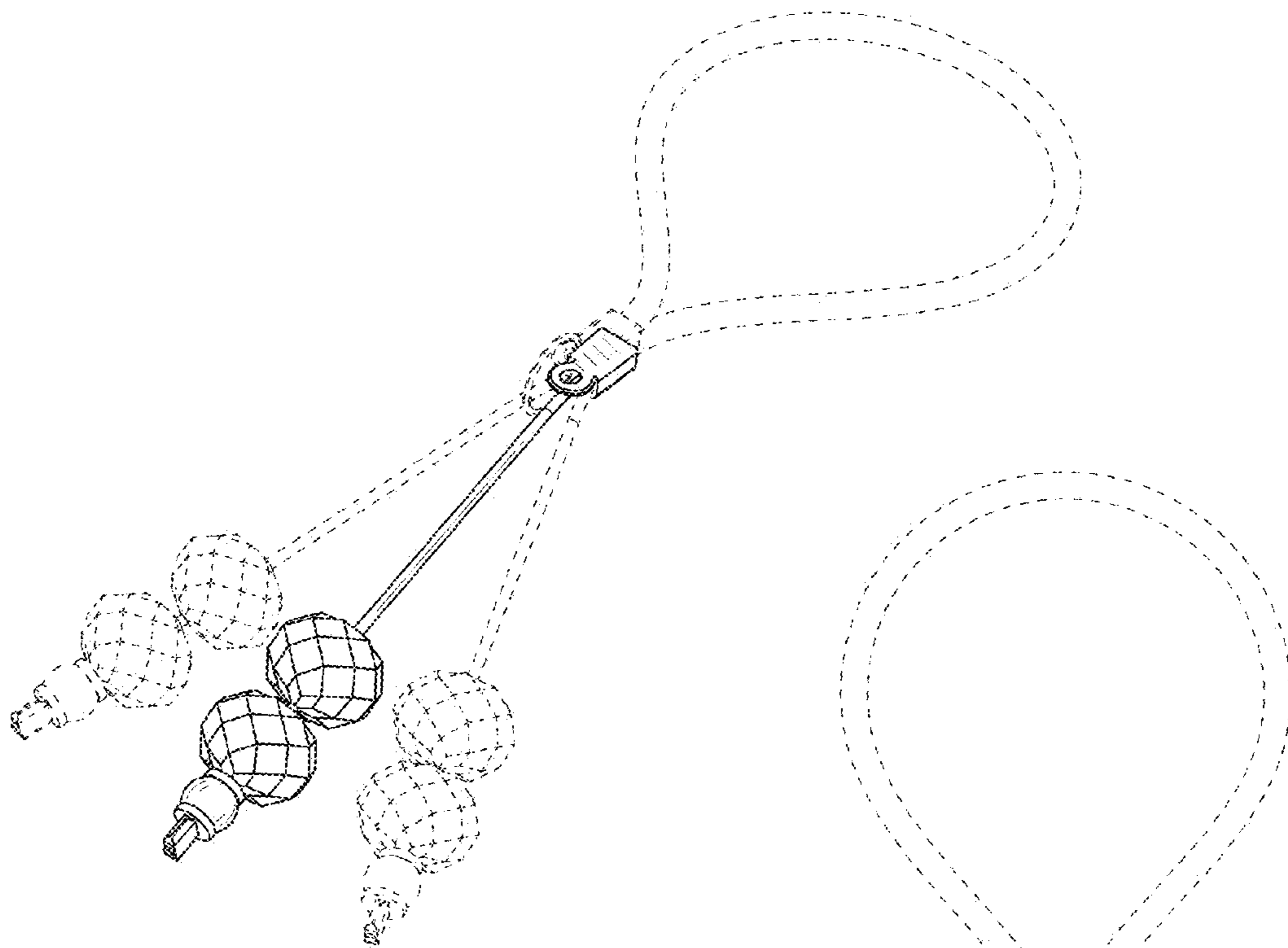


FIG. 1

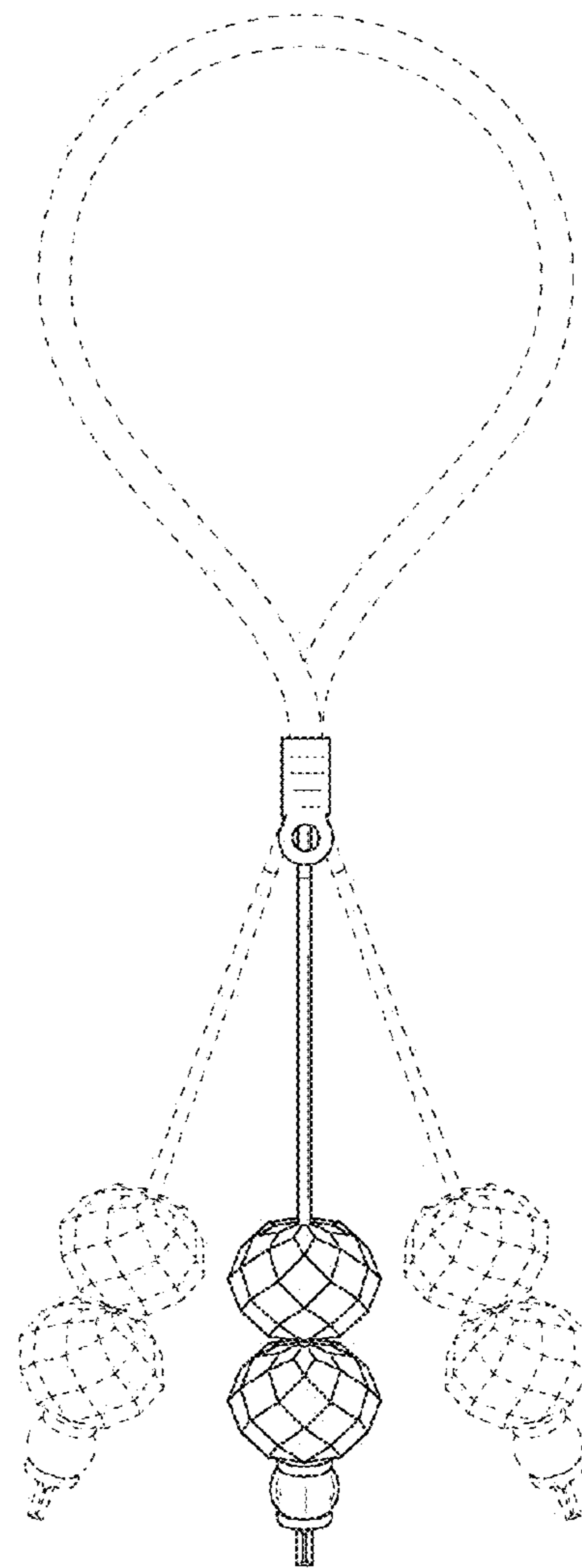


FIG. 2

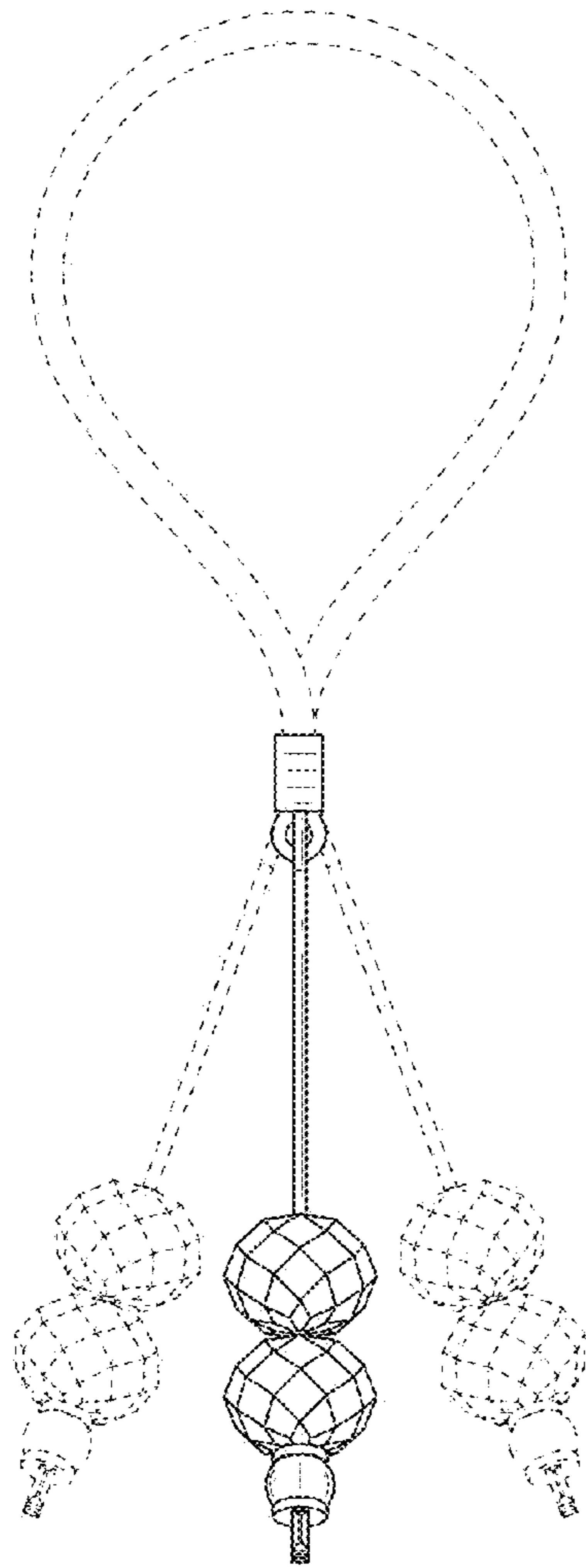


FIG. 3

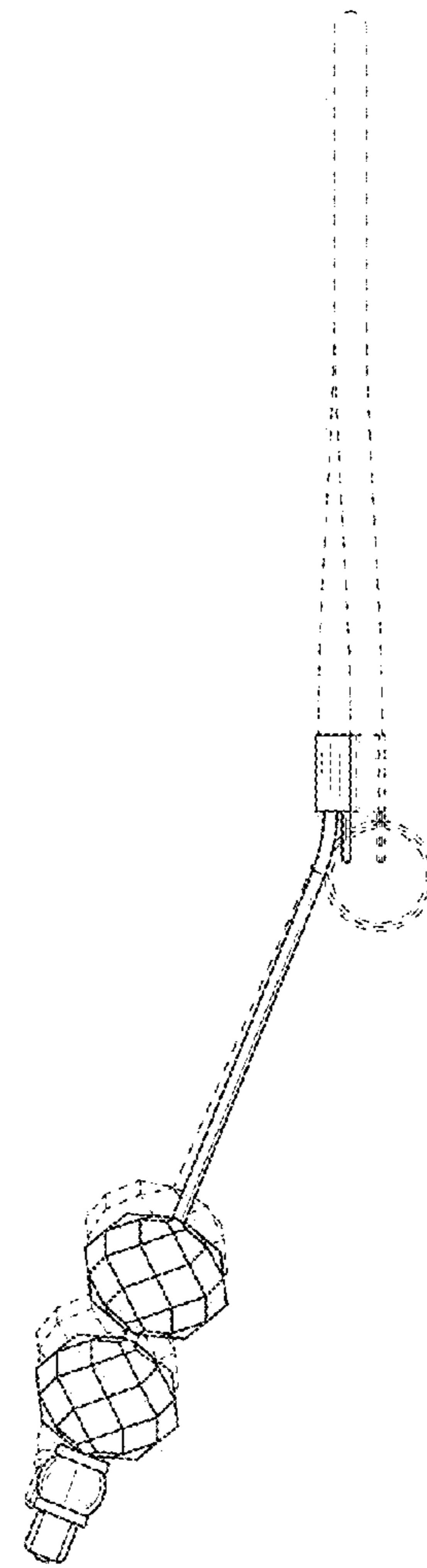


FIG. 4

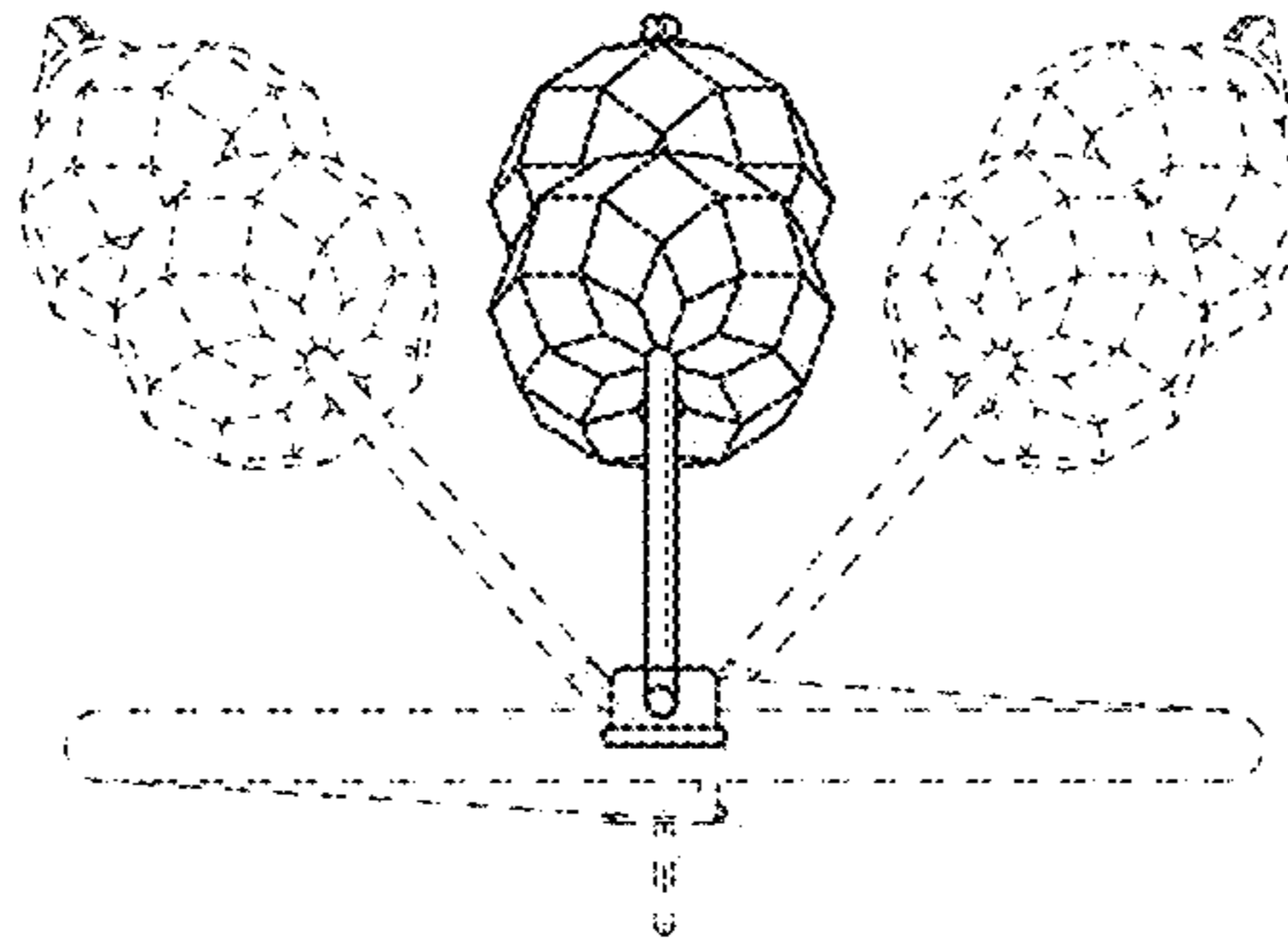


FIG. 5

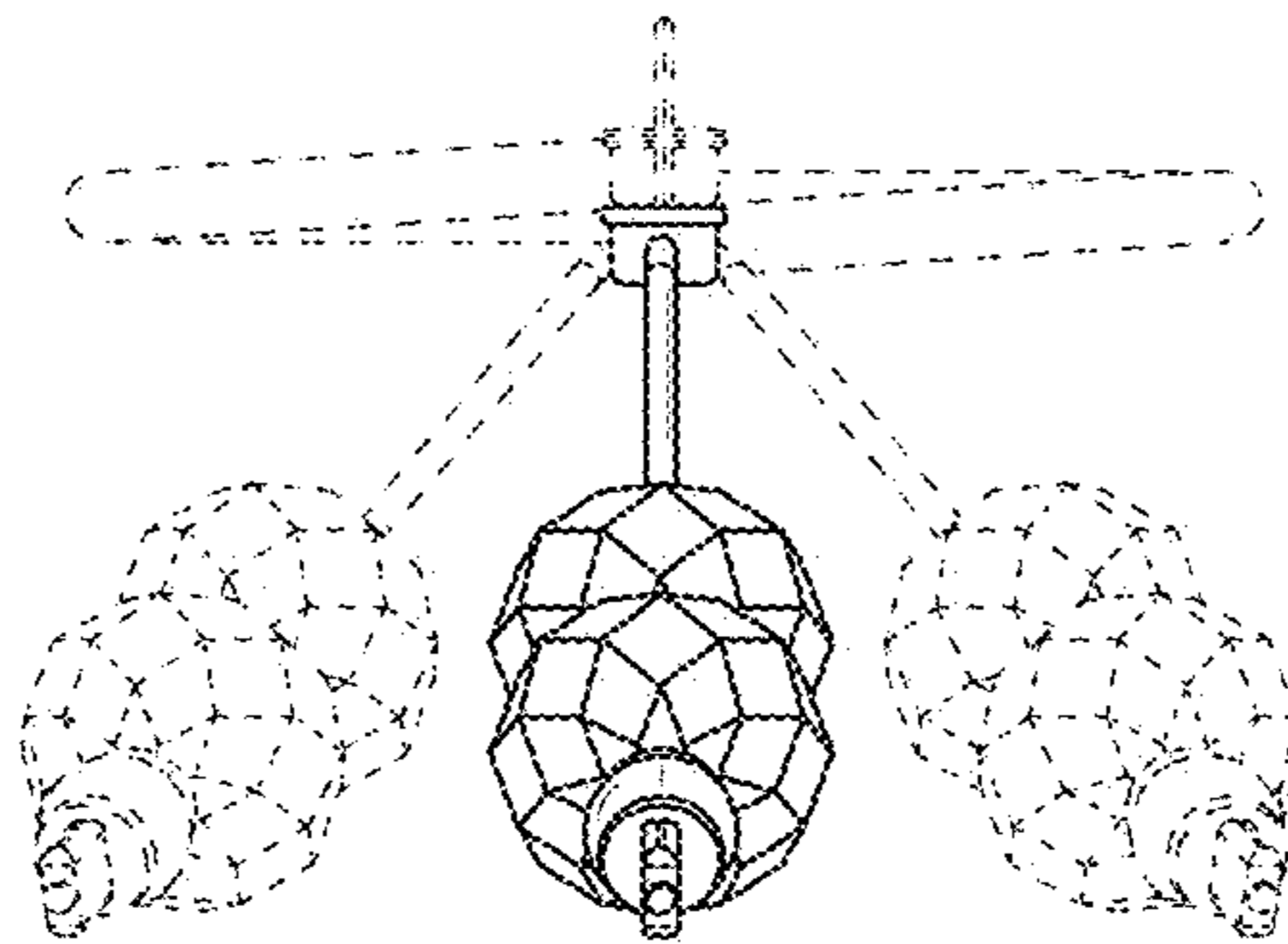


FIG. 6