

US00D731116S

(12) **United States Design Patent**
Hefetz et al.

(10) **Patent No.:** **US D731,116 S**
(45) **Date of Patent:** **** *Jun. 2, 2015**

(54) **HAIR COLOR DISPENSER**

7,934,512 B2 * 5/2011 Spagnuolo 132/112
8,220,469 B1 * 7/2012 Spagnuolo 132/114
2004/0221864 A1 * 11/2004 Capristo 132/208

(71) Applicant: **ColoRight Ltd.**, Rehovot (IL)

FOREIGN PATENT DOCUMENTS

(72) Inventors: **Joseph Hefetz**, Tel-Aviv (IL); **Yuri Movshovich**, Ramat-Gan (IL)

WO WO2012127429 9/2012

(73) Assignee: **COLORIGHT LTD.**, Rehovot (IL)

* cited by examiner

(*) Notice: This patent is subject to a terminal disclaimer.

Primary Examiner — Zenia Bennett

(74) *Attorney, Agent, or Firm* — 4th Dimension IP; Marc Van Dyke

(**) Term: **14 Years**

(57) **CLAIM**

(21) Appl. No.: **29/433,652**

The ornamental design for an hair color dispenser, as shown and described.

(22) Filed: **Oct. 2, 2012**

DESCRIPTION

(51) **LOC (10) Cl.** **28-02**

(52) **U.S. Cl.**
USPC **D28/7**

(58) **Field of Classification Search**
USPC D28/7, 8, 20–22, 30–31, 76, 85, 99;
132/108, 202, 208, 317.32;
401/202–207, 261–267; D4/132–135;
D24/119

See application file for complete search history.

FIG. 1 is a front view of a hair color dispenser according to a first embodiment;
FIG. 2 is a rear view of the hair color dispenser shown in FIG. 1;
FIG. 3 is a right side view of the hair color dispenser shown in FIG. 1;
FIG. 4 is a left side view of the hair color dispenser shown in FIG. 1;
FIG. 5 is a top view of the hair color dispenser shown in FIG. 1;
FIG. 6 is a bottom view of the hair color dispenser shown in FIG. 1; and,
FIG. 7 is a perspective view of the hair color dispenser shown in FIG. 1.

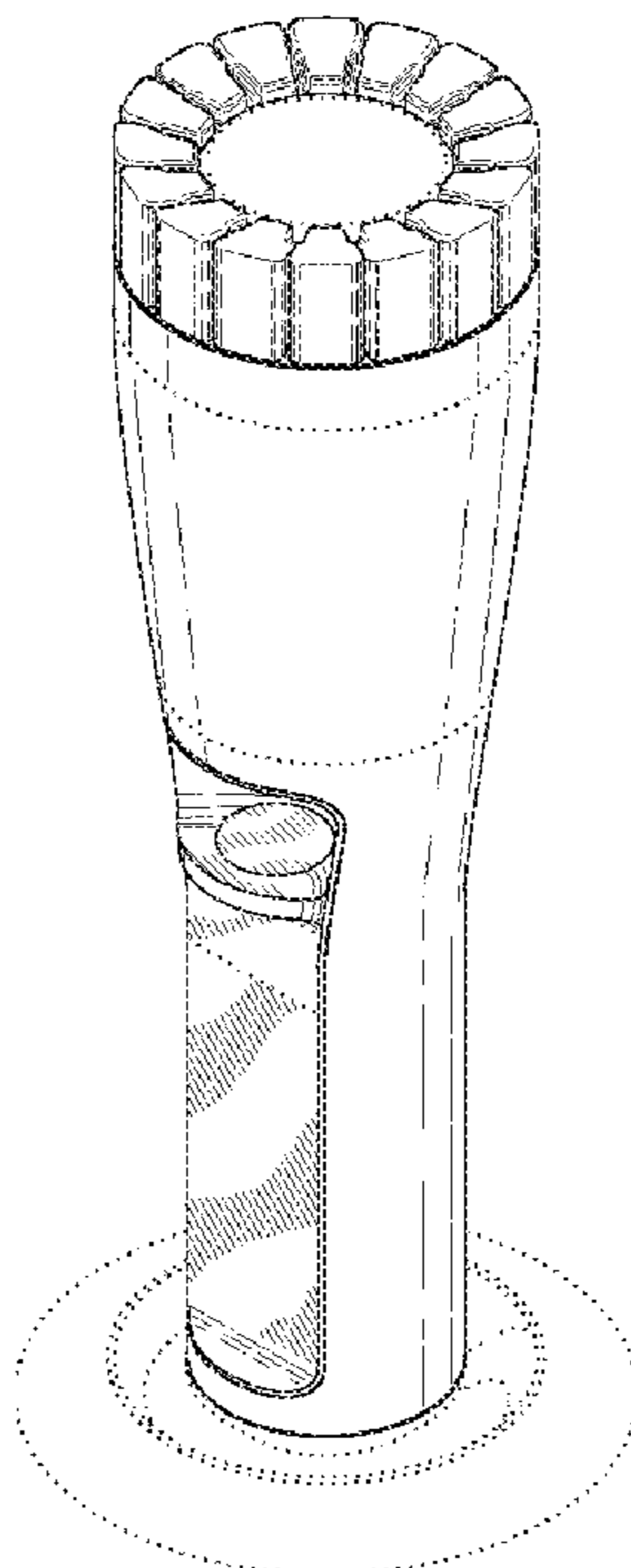
The broken lines are for the purpose of illustrating portions of the hair color dispenser and form no part of the claimed design.

(56) **References Cited**

U.S. PATENT DOCUMENTS

D246,260 S * 11/1977 Forrester D28/7
5,152,305 A * 10/1992 Niv 132/112
5,937,865 A * 8/1999 Dhaliwal 132/114
D462,808 S * 9/2002 Swaner et al. D28/7
7,059,333 B2 * 6/2006 Duqueroie 132/114
7,243,660 B2 * 7/2007 Capristo 132/208
D602,633 S * 10/2009 Spagnuolo D28/7

1 Claim, 6 Drawing Sheets



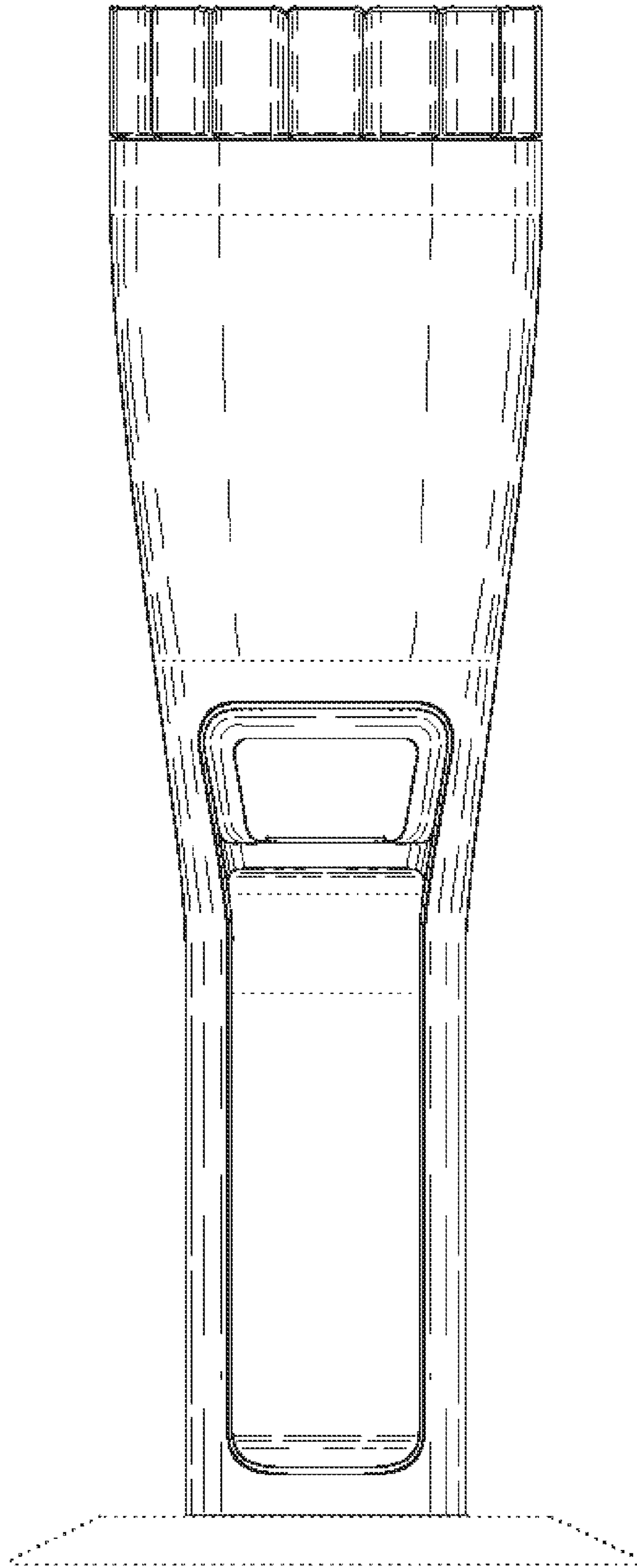


FIG. 1

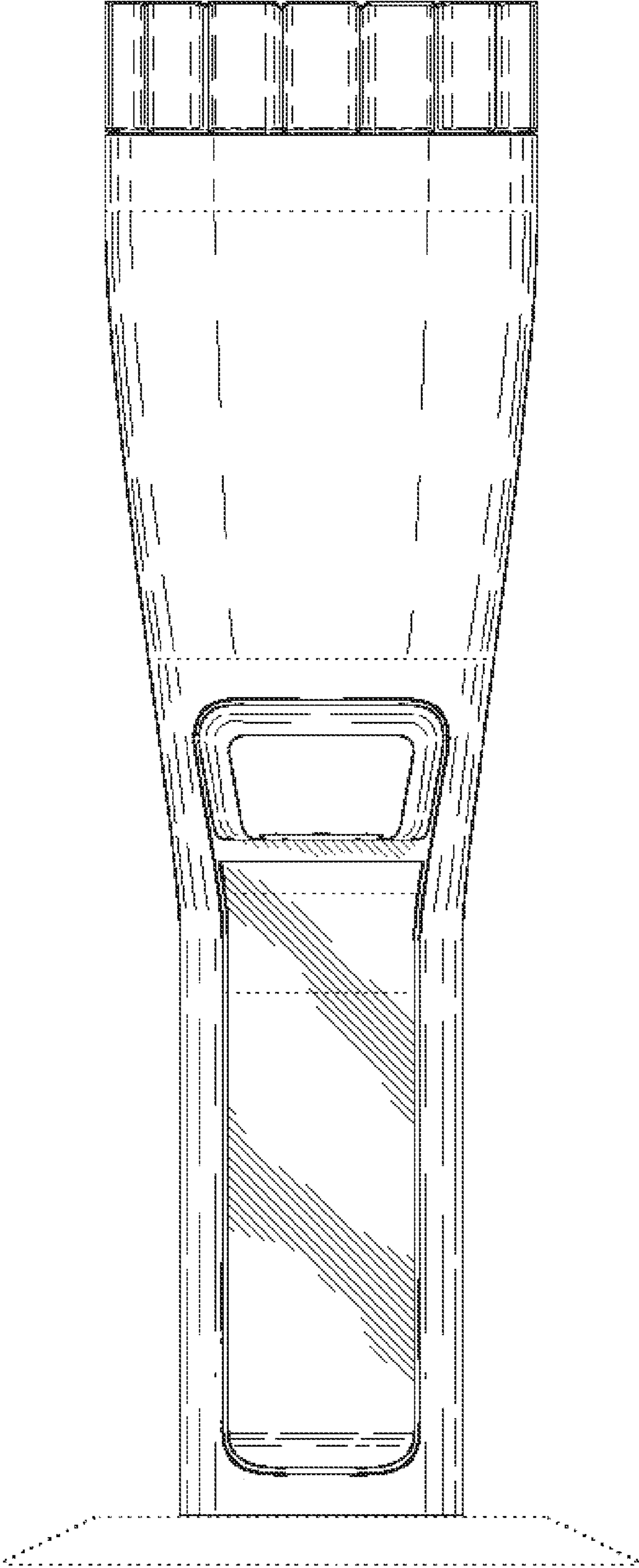


FIG. 2

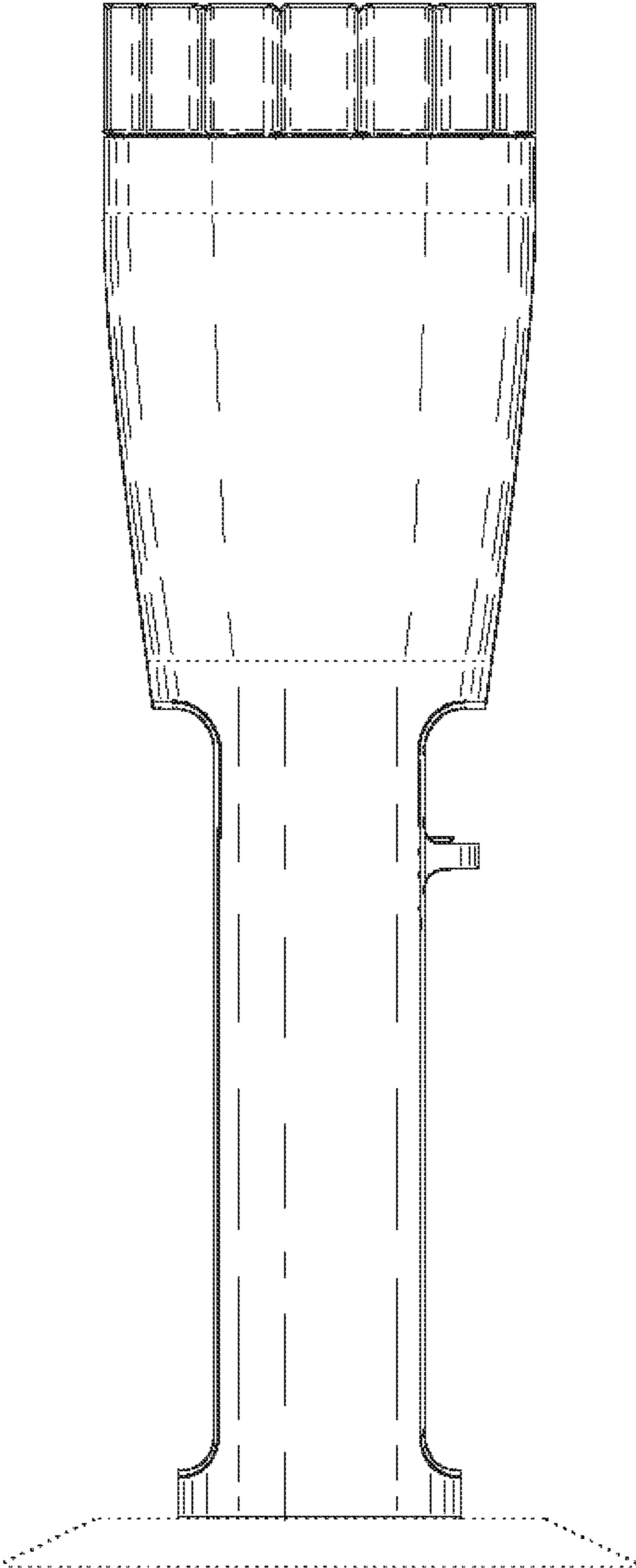


FIG. 3

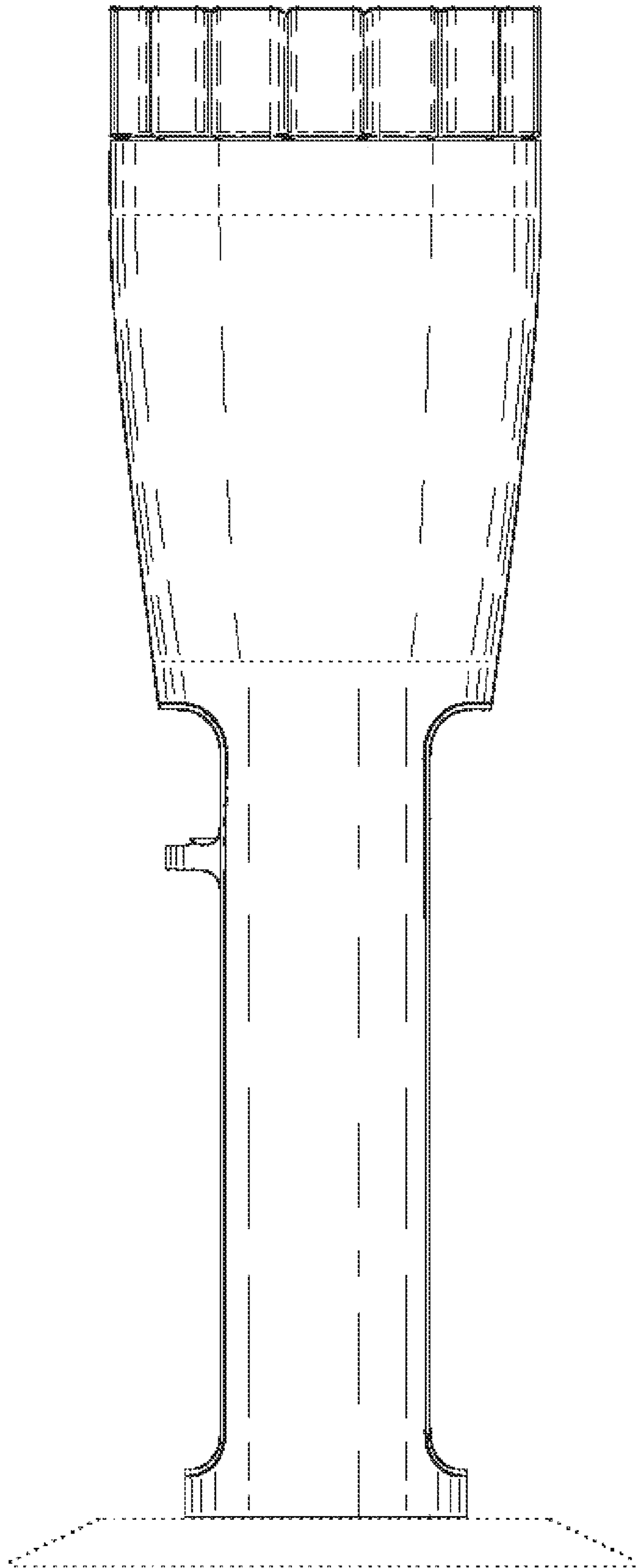


FIG. 4

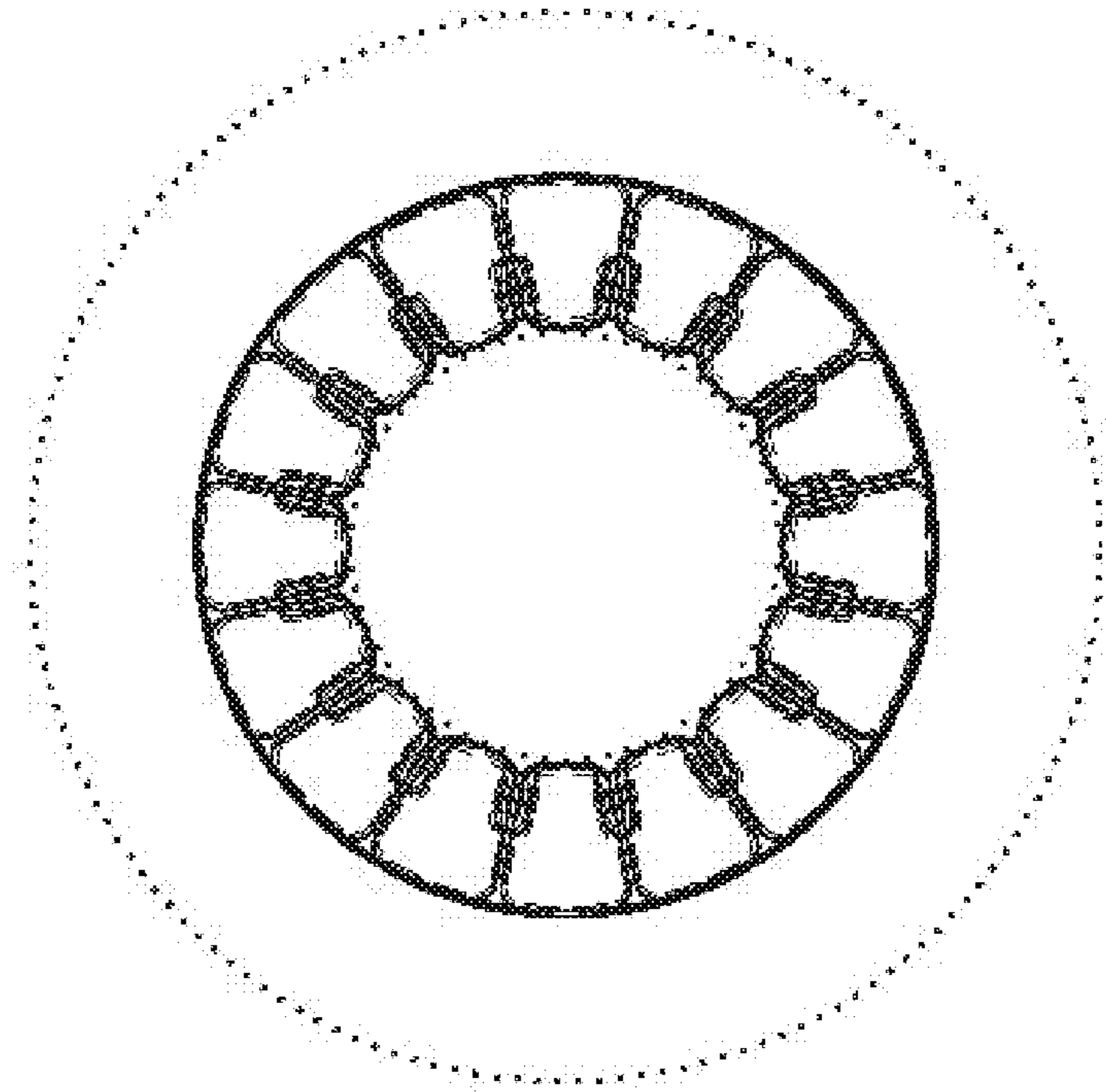


FIG. 5

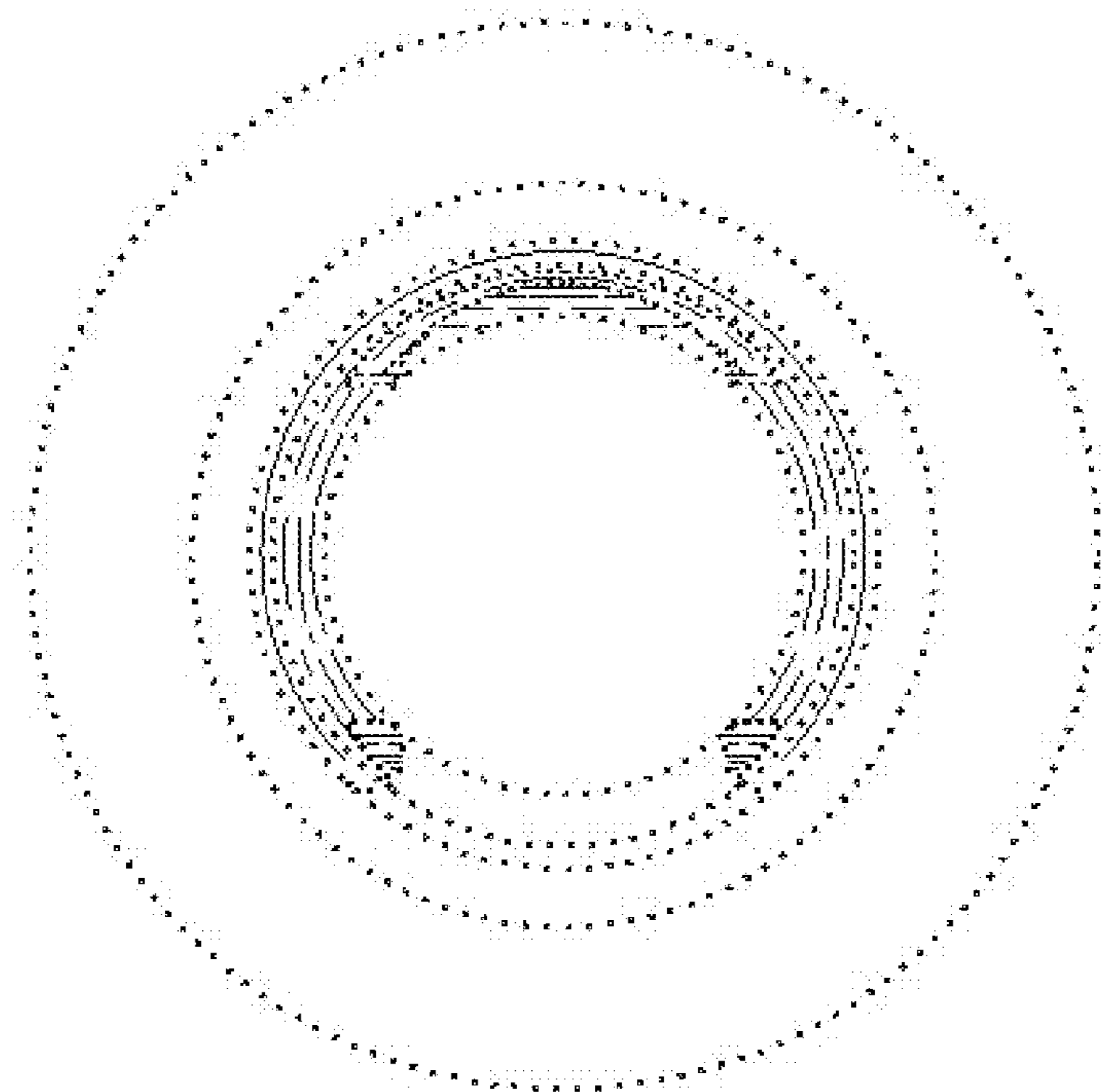


FIG. 6

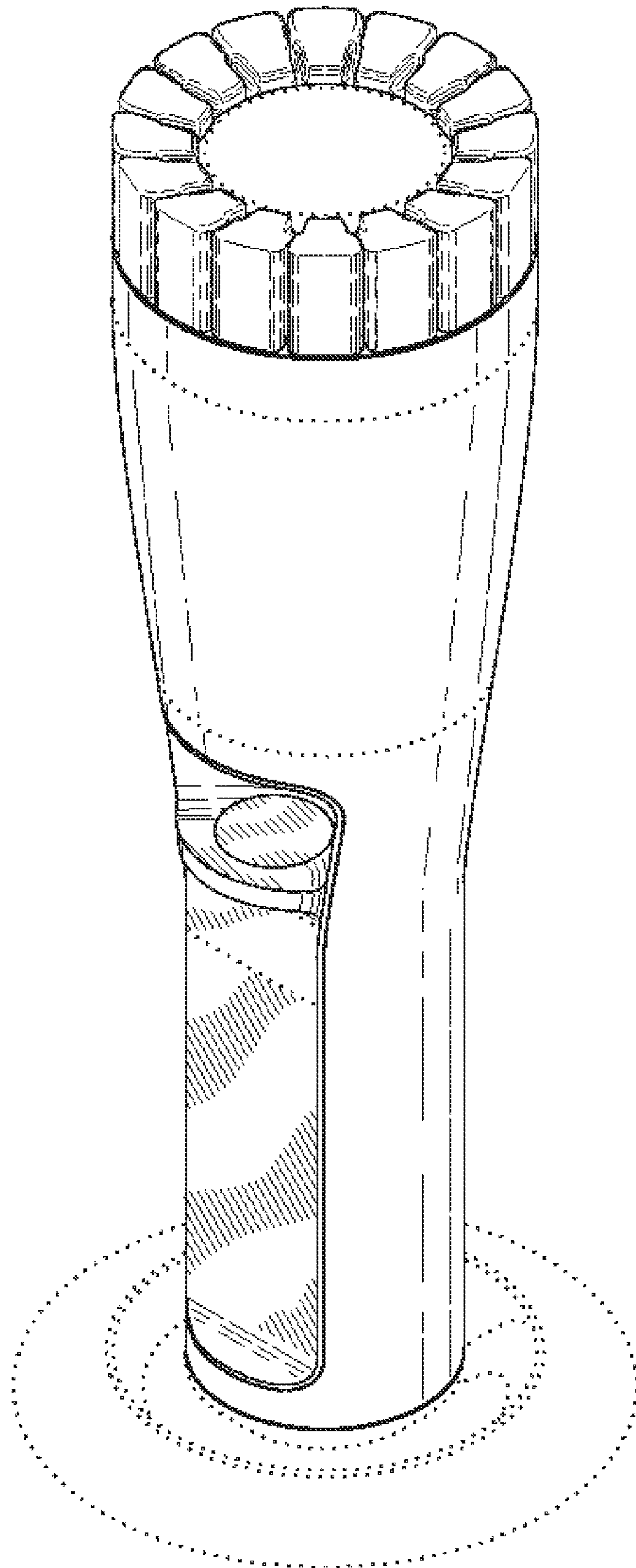


FIG. 7