

US00D731111S

(12) **United States Design Patent**
Chen

(10) **Patent No.:** **US D731,111 S**
(45) **Date of Patent:** **** Jun. 2, 2015**

(54) **NON-OPAQUE LIGHT COVER FOR A LIGHT FIXTURE**

(71) Applicant: **Honesty Lighting, Inc.**, New Taipei (TW)

(72) Inventor: **Paul Chen**, New Taipei (TW)

(73) Assignee: **Honesty Lighting, Inc.**, New Taipei (TW)

(**) Term: **14 Years**

(21) Appl. No.: **29/496,933**

(22) Filed: **Jul. 18, 2014**

(51) **LOC (10) Cl.** **26-99**

(52) **U.S. Cl.**
USPC **D26/128**; D26/89

(58) **Field of Classification Search**
USPC D26/28, 72, 85, 89, 128, 135; 362/147,
362/287, 373, 453-456
See application file for complete search history.

(56) **References Cited**

U.S. PATENT DOCUMENTS

D4,295 S *	8/1870	Letchworth	D26/135
D38,747 S *	8/1907	Johnson	D26/128
1,505,559 A	8/1924	Grant		
1,508,184 A	9/1924	Harrison		
D77,320 S *	12/1928	Kopp	D26/128
D120,767 S *	5/1940	Williams	D26/128
D169,972 S	7/1953	Glatthar et al.		
D170,084 S	7/1953	Glatthar et al.		
D232,376 S	8/1974	Yahraus et al.		
4,071,749 A	1/1978	Balogh		
D249,291 S *	9/1978	Pemberton	D26/85
D263,761 S	4/1982	Glassman		
4,827,386 A *	5/1989	Mackiewicz	362/267
D301,628 S	6/1989	Fuller		
D309,956 S	8/1990	Sikora et al.		
5,174,648 A	12/1992	Clary et al.		

D343,251 S	1/1994	Fouke et al.		
D352,797 S	11/1994	Mehaffey		
D375,379 S	11/1996	DiCola et al.		
D376,220 S	12/1996	Pearce et al.		
5,662,407 A	9/1997	Fischer et al.		
D405,207 S	2/1999	Mora		
D427,713 S	7/2000	Dolan		
D444,903 S	7/2001	Wang		
D456,931 S	5/2002	Shimada		
6,394,628 B1 *	5/2002	Wang	362/375
D477,104 S *	7/2003	Wang	D26/72
D496,487 S *	9/2004	Rhee	D26/89
D499,505 S	12/2004	Benensohn		
D505,721 S	5/2005	Pickett		
D509,617 S	9/2005	Benghozi		
D533,292 S	12/2006	Hidalgo		

(Continued)

OTHER PUBLICATIONS

PLIZZY 4-light flushmount wall sconce shown on p. 144 of the Eurofase Illuminations Catalog #MKT-CAT-EF09. (2 pages, including rear cover of catalog.)

Primary Examiner — Clare E Heflin

(74) *Attorney, Agent, or Firm* — Senniger Powers LLP

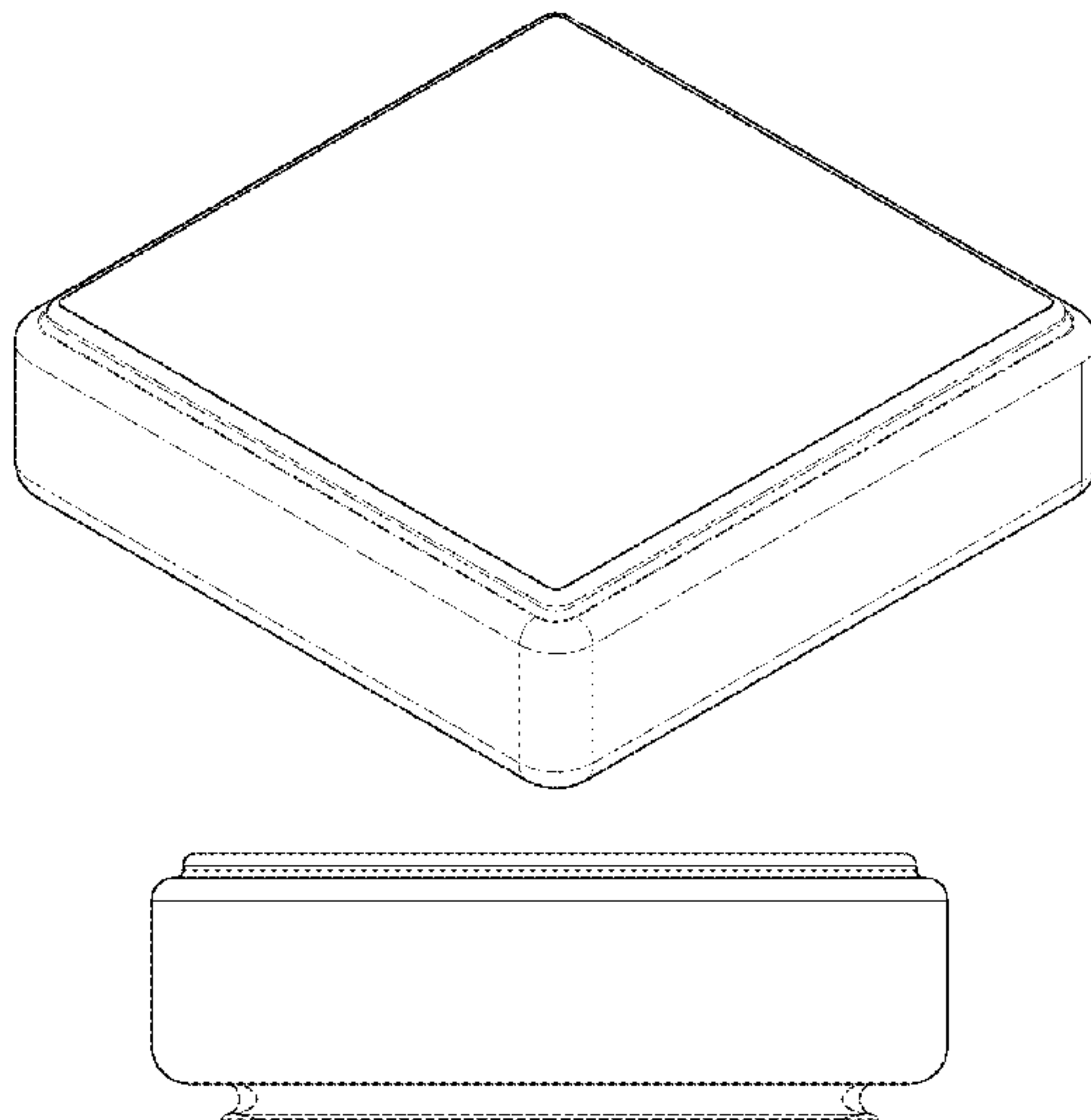
(57) **CLAIM**

The ornamental design for a non-opaque light cover for a light fixture, as shown and described.

DESCRIPTION

FIG. 1 is a perspective view of a non-opaque light cover for a light fixture showing the new design; FIG. 2 is a front elevational view of the light cover, the back, left, and right elevational views being identical to the front elevational view; FIG. 3 is a top plan view of the light cover; and, FIG. 4 is a bottom plan view of the light cover. The broken lines in the drawings indicate environmental structures which form no part of the claimed design.

1 Claim, 4 Drawing Sheets



(56)

References Cited

U.S. PATENT DOCUMENTS

D608,044 S 1/2010 Pickett
D629,146 S * 12/2010 van den Akker D26/89
D633,644 S * 3/2011 Sprengers D26/89
D634,055 S * 3/2011 Hokazono et al. D26/89
D641,517 S 7/2011 Sprengers

D655,853 S * 3/2012 Kim et al. D26/89
D656,654 S * 3/2012 Wauters D26/89
D656,655 S 3/2012 Wauters
D668,375 S 10/2012 Daniels
D669,624 S 10/2012 Daniels
D671,259 S 11/2012 Chen
D696,451 S * 12/2013 Chen D26/89

* cited by examiner

FIG. 1

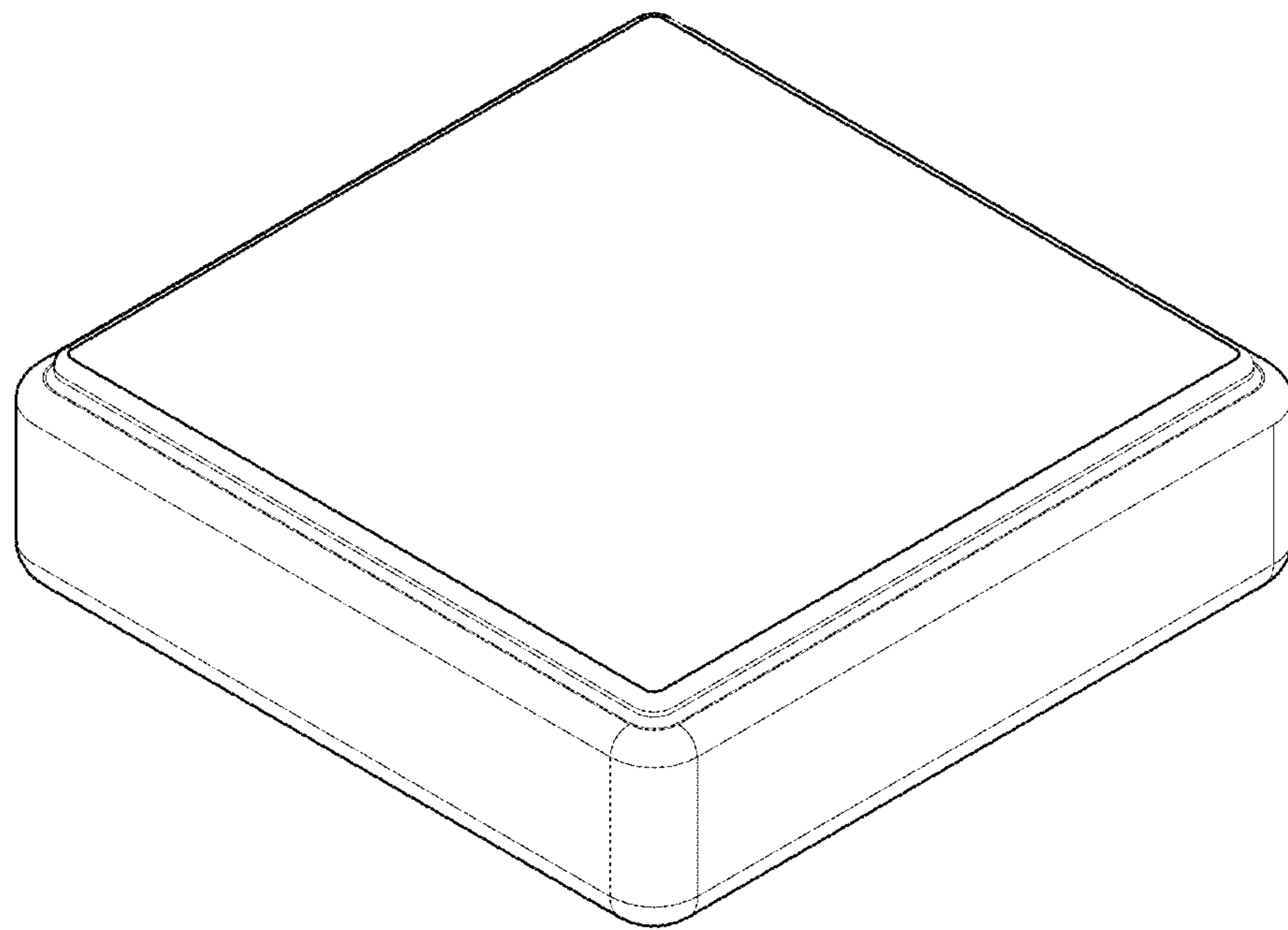


FIG. 2

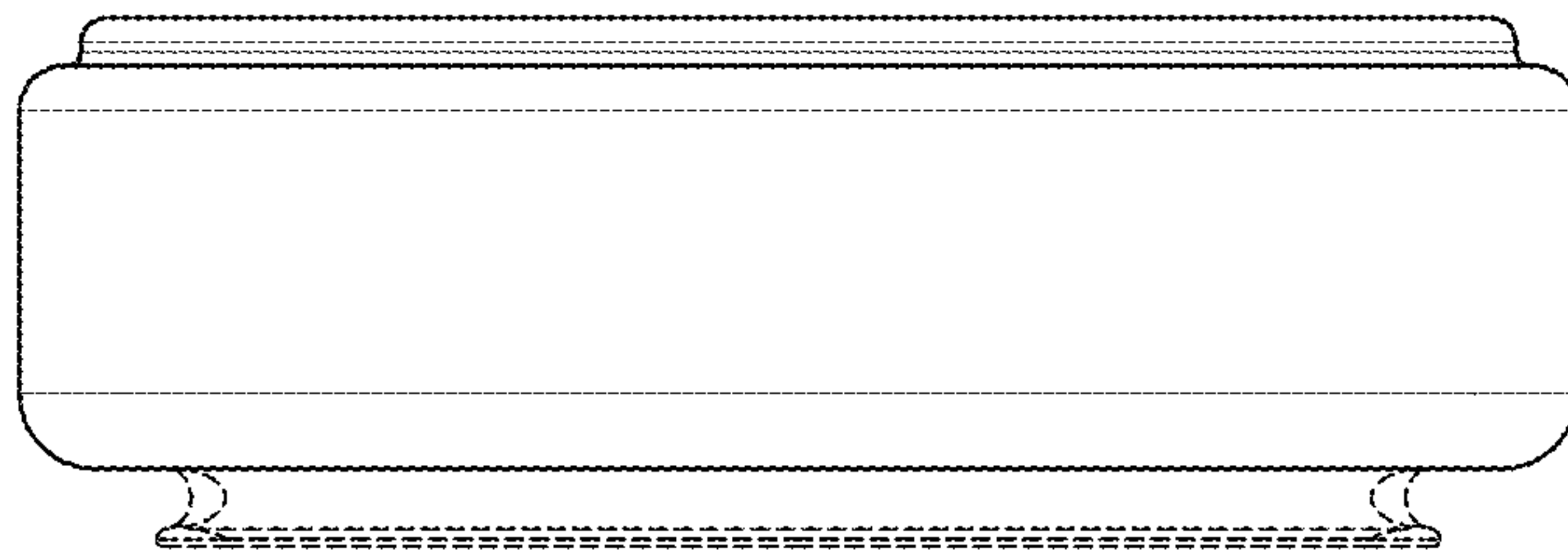


FIG. 3

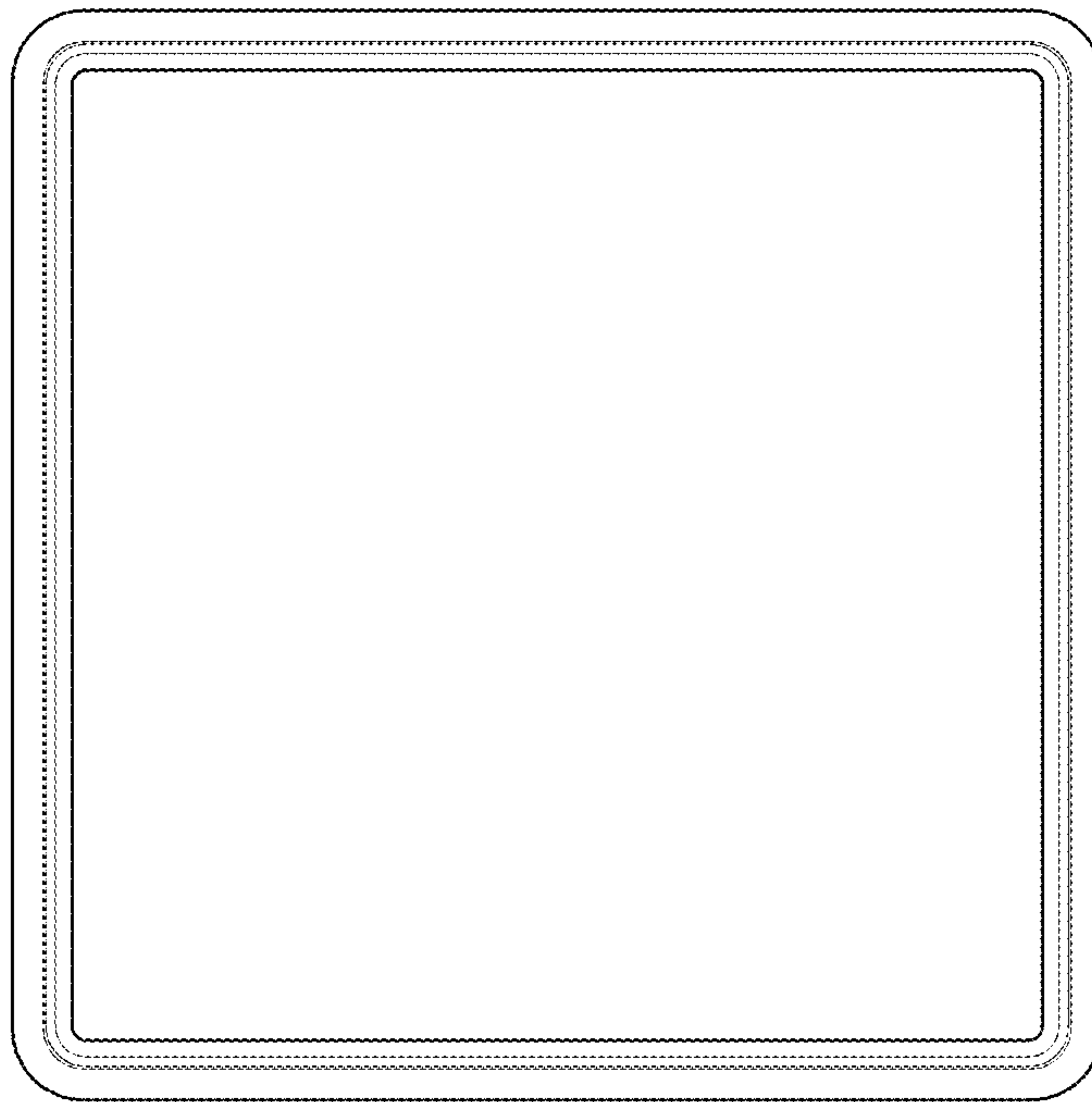


FIG. 4

