



US00D731110S

(12) **United States Design Patent**
Poppenheimer

(10) **Patent No.:** **US D731,110 S**
(45) **Date of Patent:** **** Jun. 2, 2015**

(54) **LIGHT TRANSMITTING OPTIC FOR A LIGHTING DEVICE**

(71) Applicant: **AMERLUX, LLC**, Fairfield, NJ (US)

(72) Inventor: **Tori Poppenheimer**, Fairfield, NJ (US)

(73) Assignee: **AMERLUX LLC**, Fairfield, NJ (US)

(**) Term: **14 Years**

(21) Appl. No.: **29/492,715**

(22) Filed: **Jun. 2, 2014**

(51) **LOC (10) Cl.** **26-99**

(52) **U.S. Cl.**
USPC **D26/120**

(58) **Field of Classification Search**
USPC D26/113, 118, 119, 120, 121, 122, 145,
D26/142, 143, 128, 138
CPC F21S 8/00; F21S 8/04; F21S 4/008;
F21V 7/04; F21V 2008/006; F21V 5/00;
F21V 5/002; F21V 5/007; F21V 5/004
See application file for complete search history.

(56) **References Cited**

U.S. PATENT DOCUMENTS

D216,957	S *	3/1970	Dallaire	D25/122
D294,867	S *	3/1988	Meshulam	D25/119
D504,526	S *	4/2005	Perkins et al.	D25/138
6,929,382	B2 *	8/2005	Kuisma	362/219
7,159,997	B2 *	1/2007	Reo et al.	362/240
D536,822	S *	2/2007	Pyshos et al.	D26/138
7,331,689	B2 *	2/2008	Chen	362/240
D578,705	S *	10/2008	Aberg et al.	D26/138
D582,602	S *	12/2008	Maxik et al.	D26/118
D592,786	S *	5/2009	Bisberg et al.	D26/76
D599,387	S *	9/2009	Chuo et al.	D15/143
7,766,505	B2 *	8/2010	Tseng et al.	362/217.17
7,815,338	B2 *	10/2010	Siemiet et al.	362/218
7,815,341	B2 *	10/2010	Steadly et al.	362/294
D633,315	S *	3/2011	Fabiano et al.	D6/509

7,936,561	B1 *	5/2011	Lin	361/679.54
D644,780	S *	9/2011	Jabra et al.	D26/120
D649,686	S *	11/2011	Trzesniowski	D26/138
D650,114	S *	12/2011	Rudek et al.	D26/118
8,115,411	B2 *	2/2012	Shan	315/294
D662,255	S *	6/2012	Klu	D26/138
D662,256	S *	6/2012	Klu	D26/138
D662,613	S *	6/2012	Williams	D25/126
D662,653	S *	6/2012	Hochman	D26/138
8,197,086	B2 *	6/2012	Watanabe et al.	362/218
D663,068	S *	7/2012	Hochman	D26/138
8,220,953	B1 *	7/2012	Moore	362/217.01
D669,211	S *	10/2012	Larson	D26/138
D674,220	S *	1/2013	Kim	D6/702

(Continued)

Primary Examiner — Kevin Rudzinski

(74) *Attorney, Agent, or Firm* — Day Pitney LLP

(57) **CLAIM**

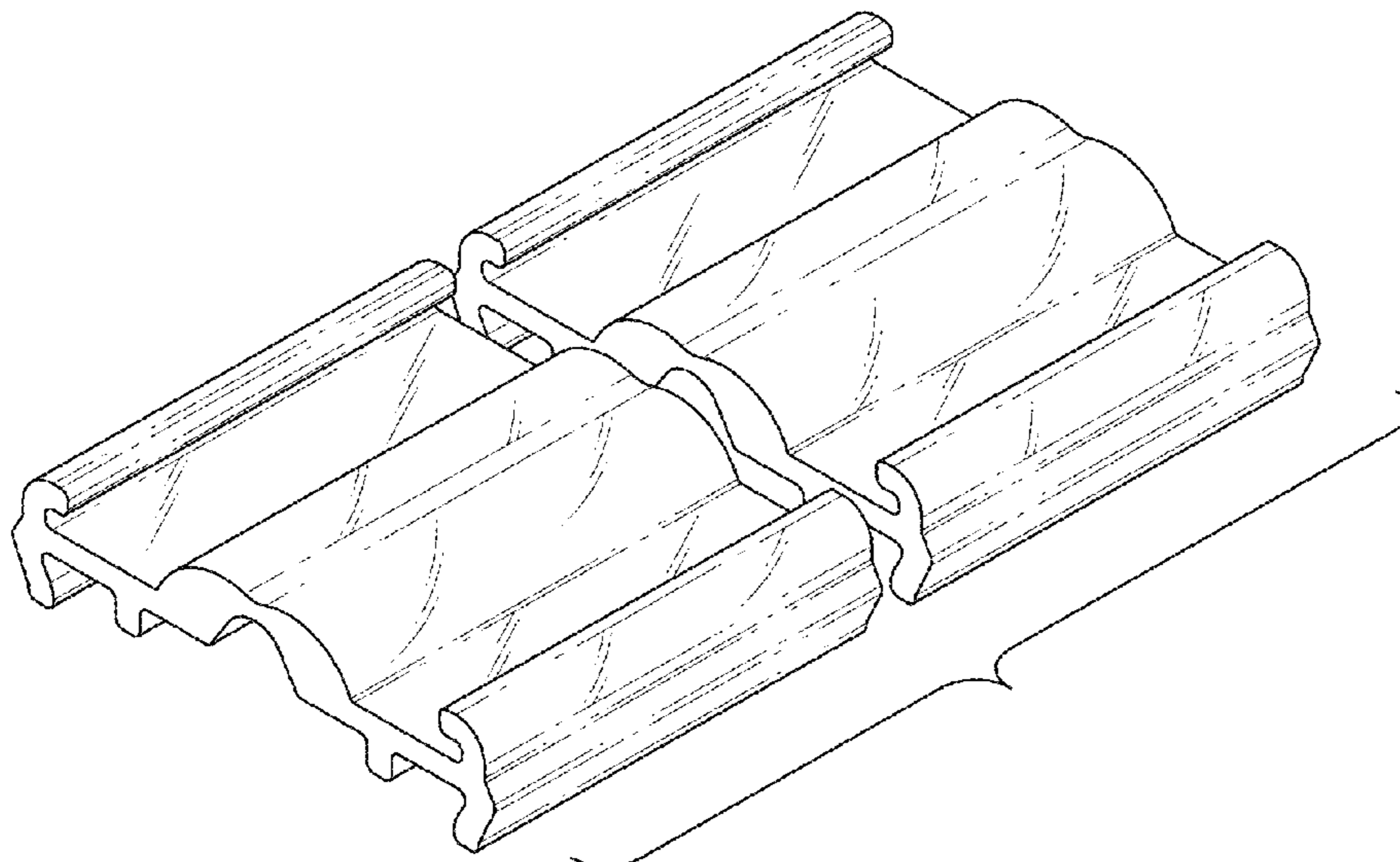
The ornamental design for a light transmitting optic for a lighting device, as shown and described.

DESCRIPTION

FIG. 1 is a front facing perspective view of the ornamental design for the light transmitting optic for a lighting device; FIG. 2 is a front view of the ornamental design for the light transmitting optic for a lighting device; FIG. 3 is a rear view of the ornamental design for the light transmitting optic for a lighting device; FIG. 4 is a right side view of the ornamental design for the light transmitting optic for a lighting device; FIG. 5 is a left side view of the ornamental design for the light transmitting optic for a lighting device; FIG. 6 is a top view of the ornamental design for the light transmitting optic for a lighting device; and, FIG. 7 is a bottom view of the ornamental design for the light transmitting optic for a lighting device.

The light transmitting optic for a lighting device is shown having a break and any portion of the design not shown in the drawings forms no part of the claimed design.

1 Claim, 5 Drawing Sheets



(56)

References Cited

U.S. PATENT DOCUMENTS

D679,860 S * 4/2013 Maxik et al. D26/141
D695,953 S * 12/2013 Klu D26/138
D700,379 S * 2/2014 Sid D26/24
8,696,154 B2 * 4/2014 Hutchens 362/217.05
8,746,933 B2 * 6/2014 Cho et al. 362/311.01
8,791,650 B2 * 7/2014 Shan 315/294

D710,535 S * 8/2014 Edwards et al. D26/122
2007/0183156 A1 * 8/2007 Shan 362/277
2008/0089071 A1 * 4/2008 Wang 362/294
2008/0192462 A1 * 8/2008 Steedly et al. 362/218
2008/0285264 A1 * 11/2008 Whitehouse et al. 362/217
2009/0219713 A1 * 9/2009 Siemiet et al. 362/218
2010/0103657 A1 * 4/2010 Teng et al. 362/223
2010/0135020 A1 * 6/2010 Moore 362/249.02

* cited by examiner

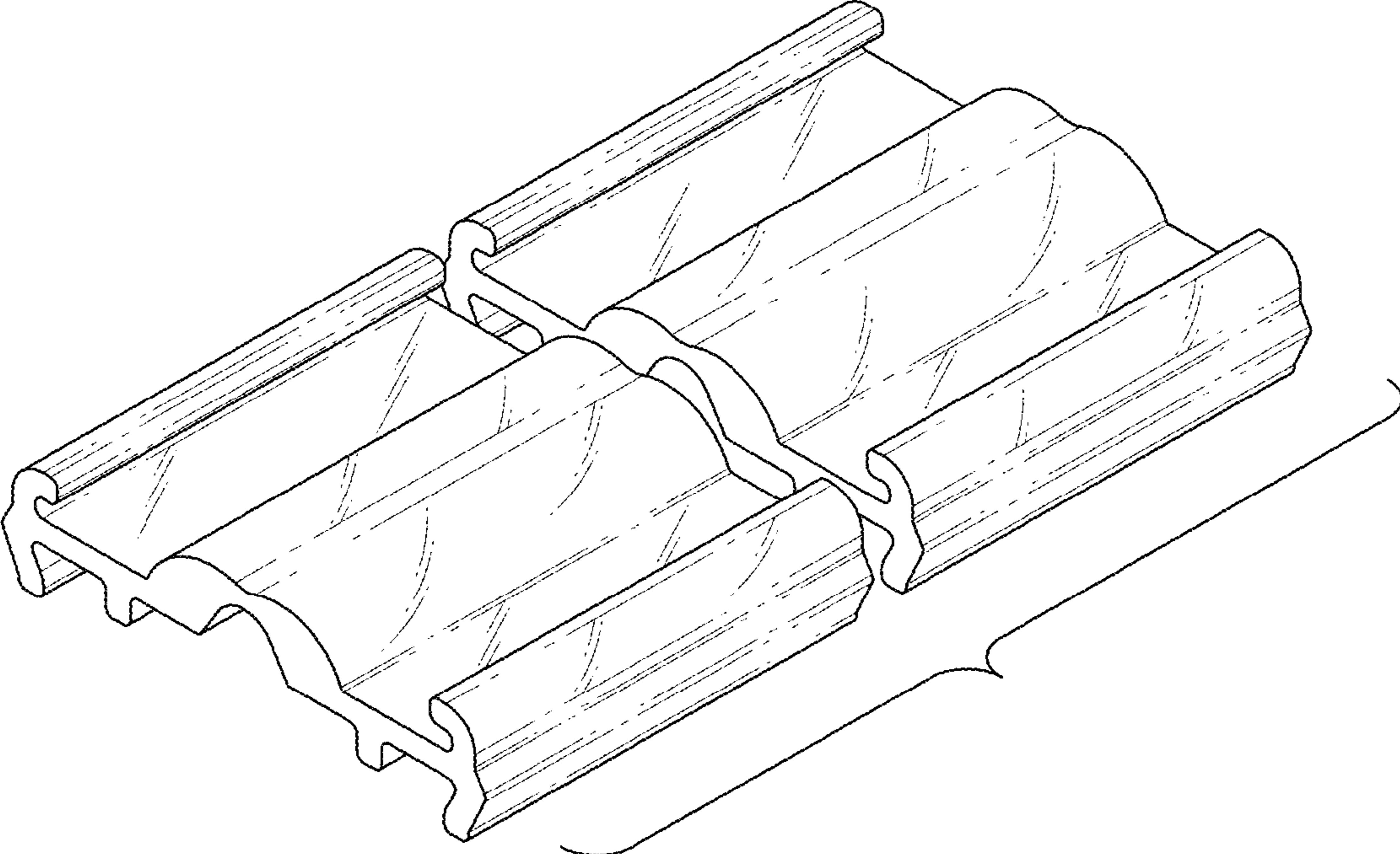


FIG. 1

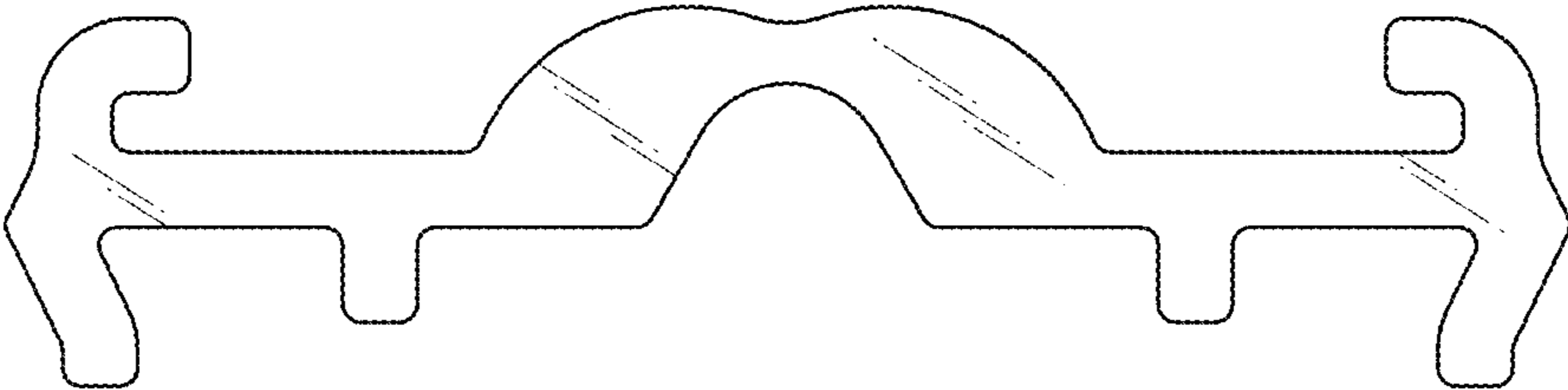


FIG. 2

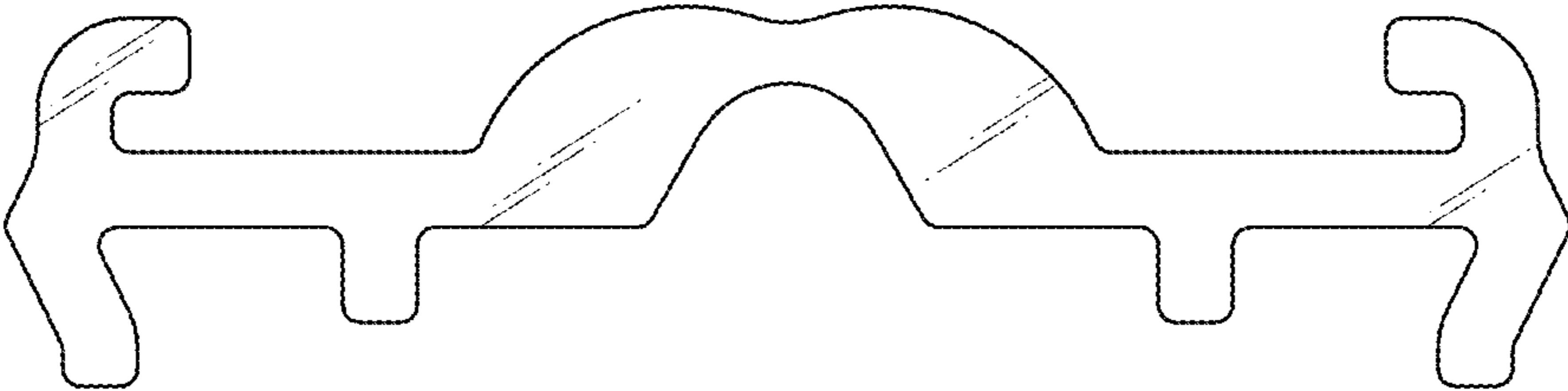


FIG. 3

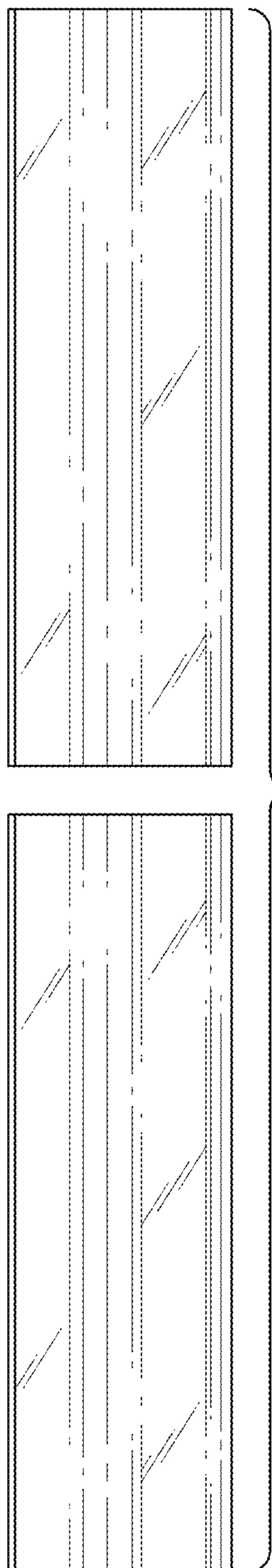


FIG. 4

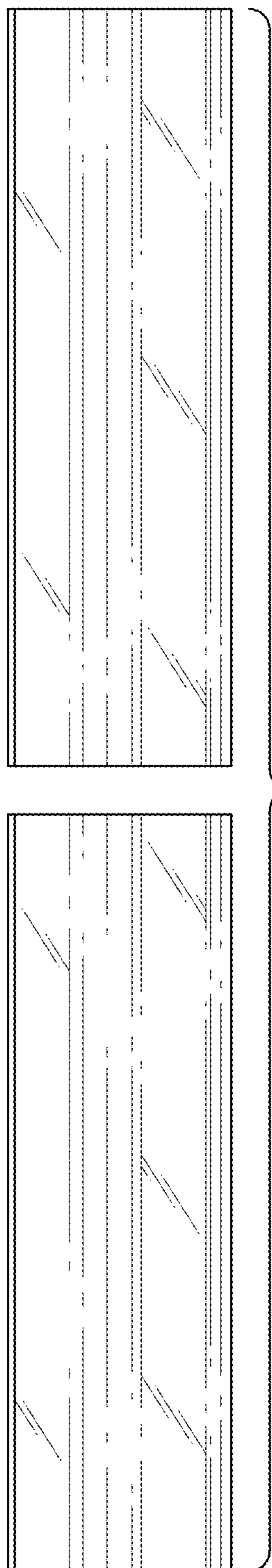


FIG. 5

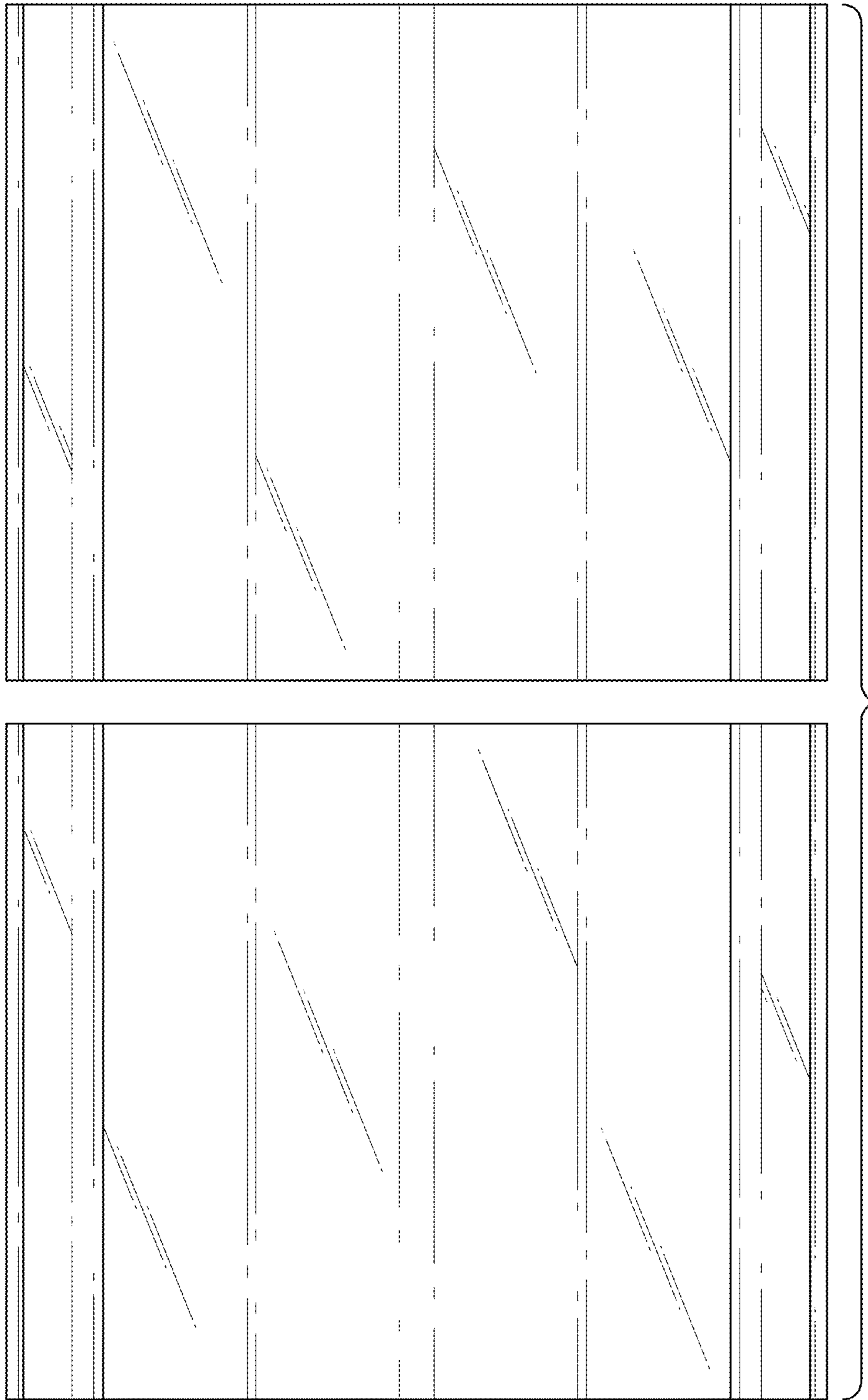


FIG. 6

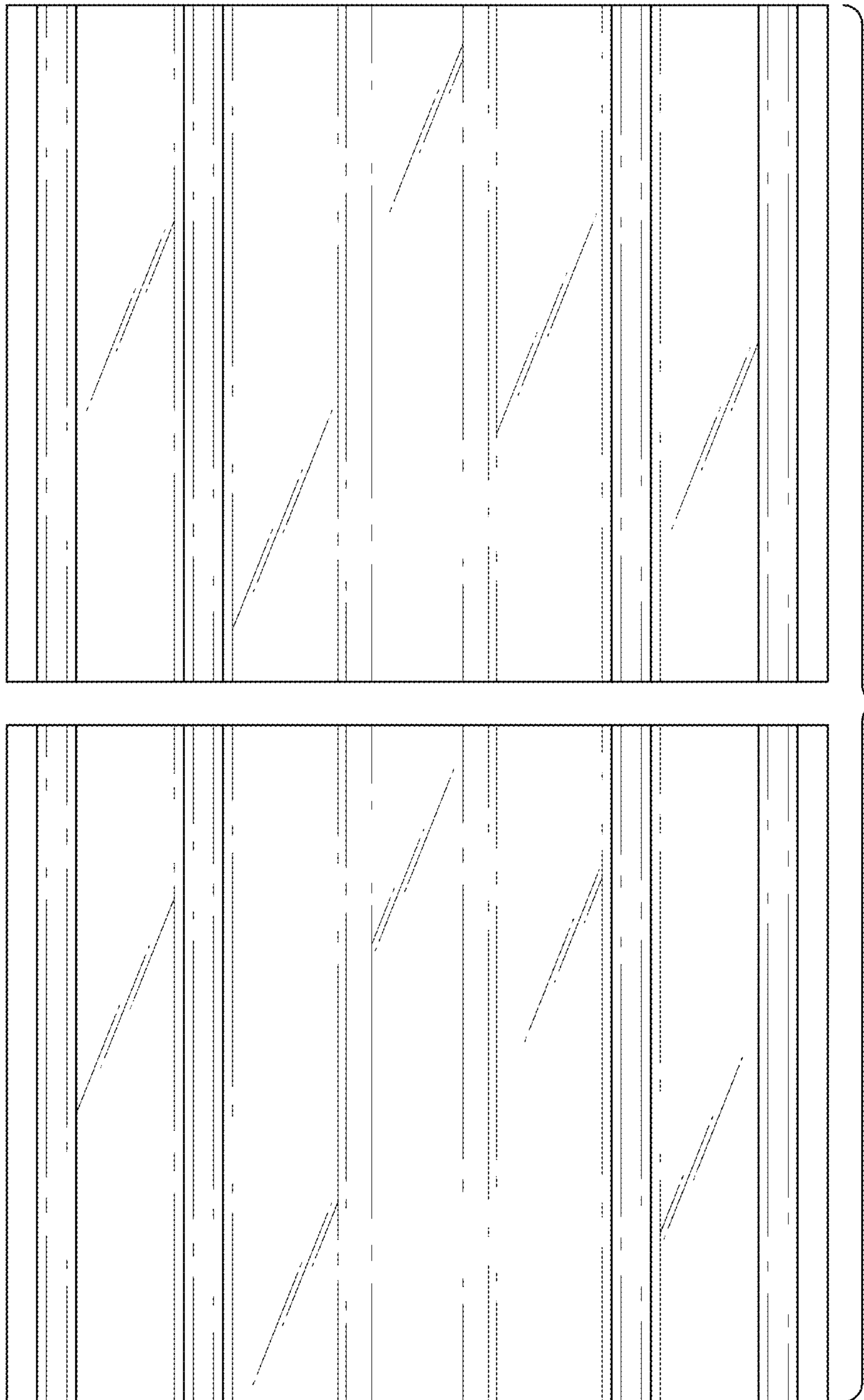


FIG. 7