



US00D731109S

(12) **United States Design Patent**
Wardenburg et al.

(10) **Patent No.:** **US D731,109 S**
(45) **Date of Patent:** **** Jun. 2, 2015**

- (54) **GROW LIGHT REFLECTOR**
- (71) Applicant: **HYDROFARM, INC.**, Petaluma, CA (US)
- (72) Inventors: **Peter Wardenburg**, Novato, CA (US);
Jason Mengelkoch, Sonoma, CA (US)
- (73) Assignee: **Hydrofarm, Inc.**, Petaluma, CA (US)
- (**) Term: **14 Years**
- (21) Appl. No.: **29/499,070**
- (22) Filed: **Aug. 11, 2014**
- (51) **LOC (10) Cl.** **26-99**
- (52) **U.S. Cl.**
USPC **D26/118**
- (58) **Field of Classification Search**
USPC D26/25-26, 28, 51, 55-57, 59-64, 66,
D26/72-91, 93, 113, 118-120, 122, 138,
D26/140-142; 362/145-148, 150-153,
362/153.1, 217.01, 217.02, 217.05-217.07,
362/217.1, 217.15, 218, 223, 241, 249.02,
362/296.07, 296.08, 294, 299, 311.02,
362/341-345, 362, 373, 563, 580, 600, 608,
362/609, 640, 641, 805; D11/142, 143,
D11/144, 155
See application file for complete search history.

- 4,843,521 A * 6/1989 Plofchan D26/118
- D349,173 S * 7/1994 Fellingner D26/85
- D390,992 S * 2/1998 Shemitz D26/63
- 5,884,993 A * 3/1999 Conn 362/347
- RE37,310 E * 8/2001 Shemitz 362/225
- D472,339 S * 3/2003 Russello et al. D26/87
- D486,262 S * 2/2004 Chen D26/77

* cited by examiner

Primary Examiner — Garth Rademaker
Assistant Examiner — Llorellys Martinez-Rivera
(74) *Attorney, Agent, or Firm* — Craig M. Stainbrook;
Stainbrook & Stainbrook, LLP

(57) **CLAIM**

The ornamental design for a grow light reflector, as shown and described.

DESCRIPTION

FIG. 1 is a bottom rear right perspective view of a grow light reflector showing our new design;
FIG. 2 is a top front left perspective view thereof;
FIG. 3 is a front elevation view thereof, the rear elevation view being identical thereto;
FIG. 4 is a left side elevation view thereof, the right side view being identical thereto;
FIG. 5 is a bottom plan view thereof;
FIG. 6 is a top plan view thereof;
FIG. 7 is a cross-sectional view thereof, taken along line 7-7 in FIG. 4; and,
FIG. 8 is a cross-sectional view thereof, taken along line 8-8 in FIG. 3.

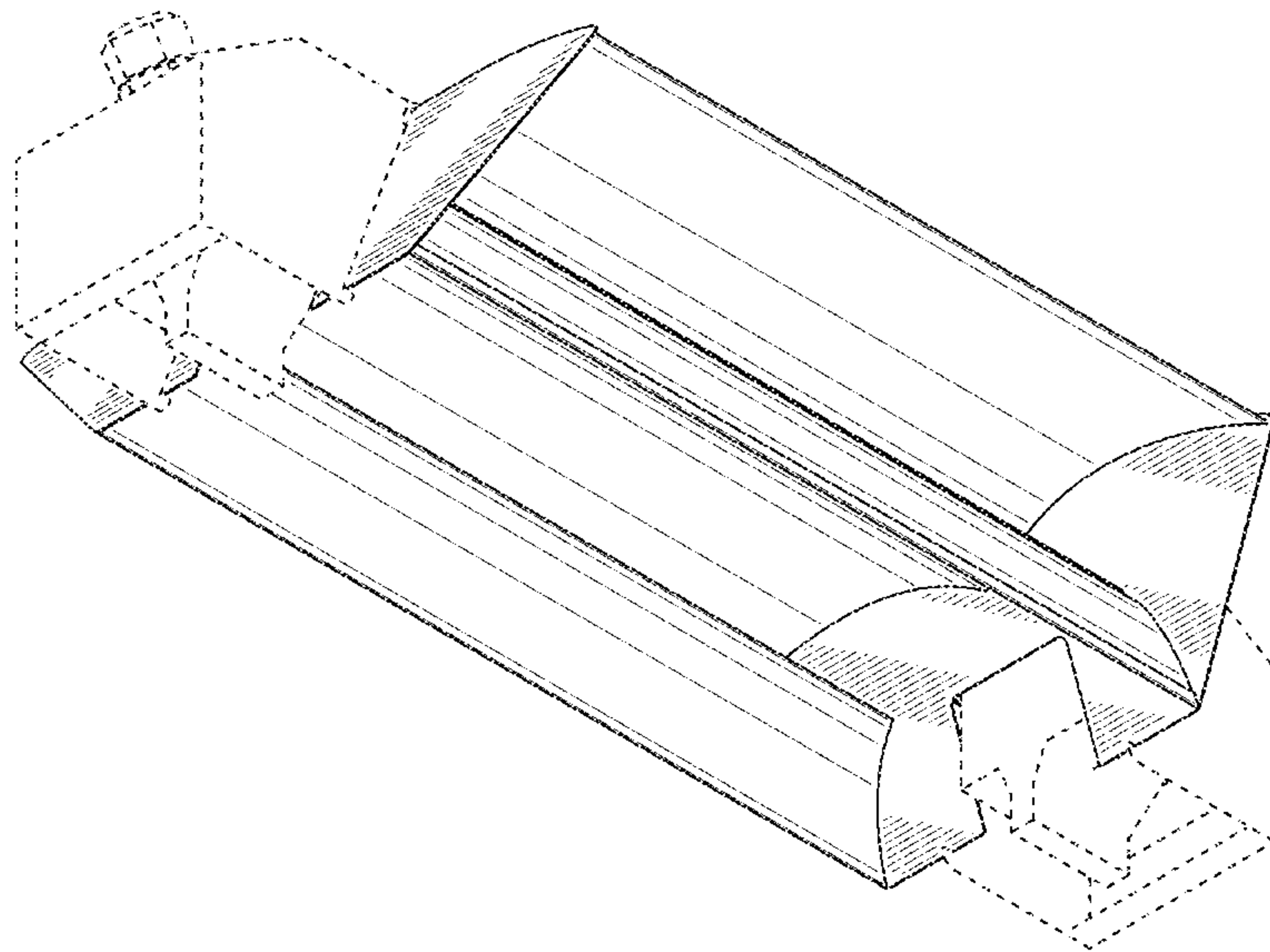
The broken lines shown in the drawings are included for purposes of illustrating environmental structures only and form no part of the claimed design.

1 Claim, 6 Drawing Sheets

(56) **References Cited**

U.S. PATENT DOCUMENTS

- D117,301 S * 10/1939 Welch D26/78
- D131,478 S * 3/1942 Koegel D26/78
- D132,786 S * 6/1942 Netting D26/78
- D133,216 S * 7/1942 Parlato D26/78
- 2,338,077 A * 12/1943 Seribner D26/78
- 3,560,729 A * 2/1971 Liberman 362/294



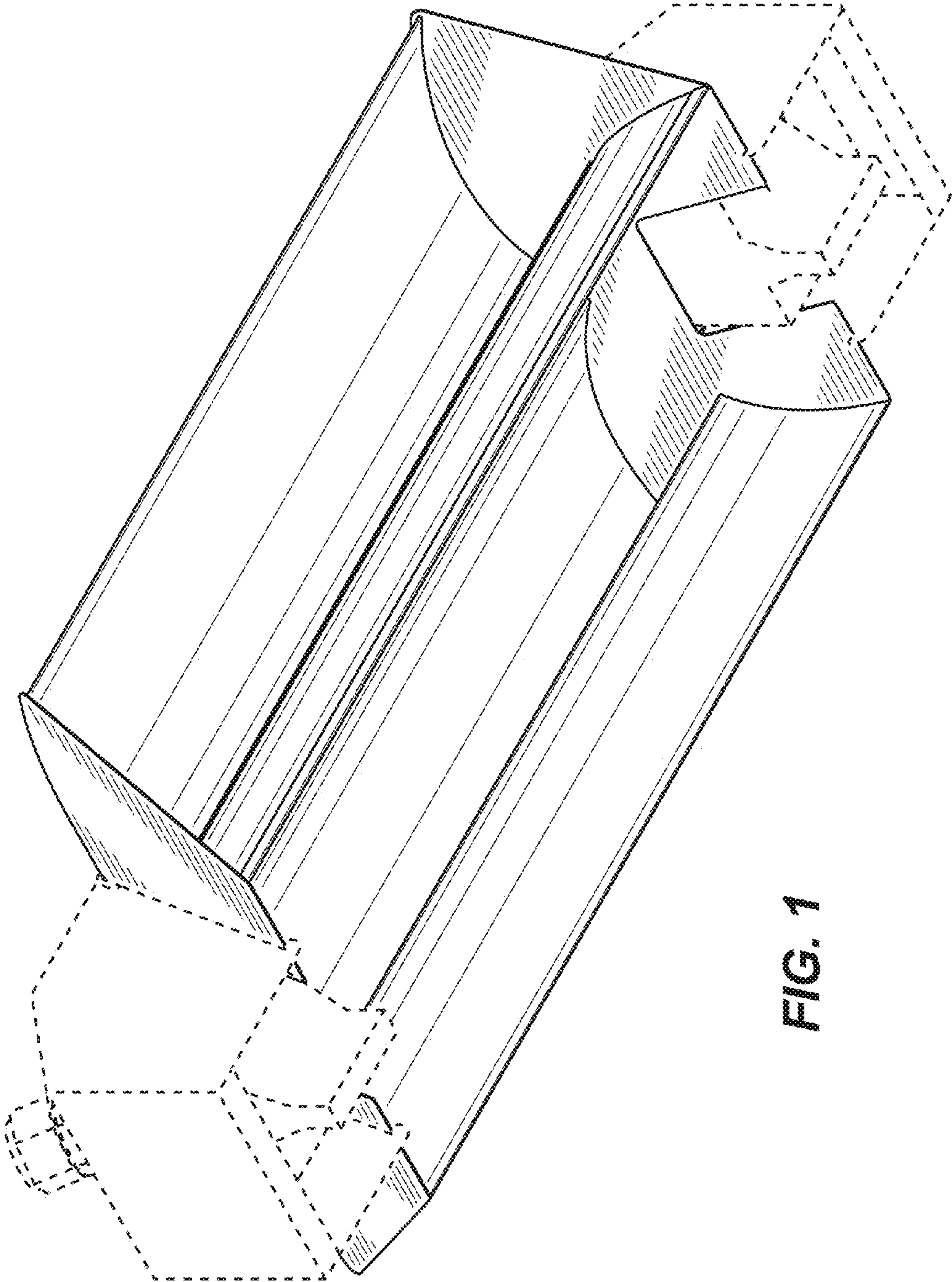


FIG. 1

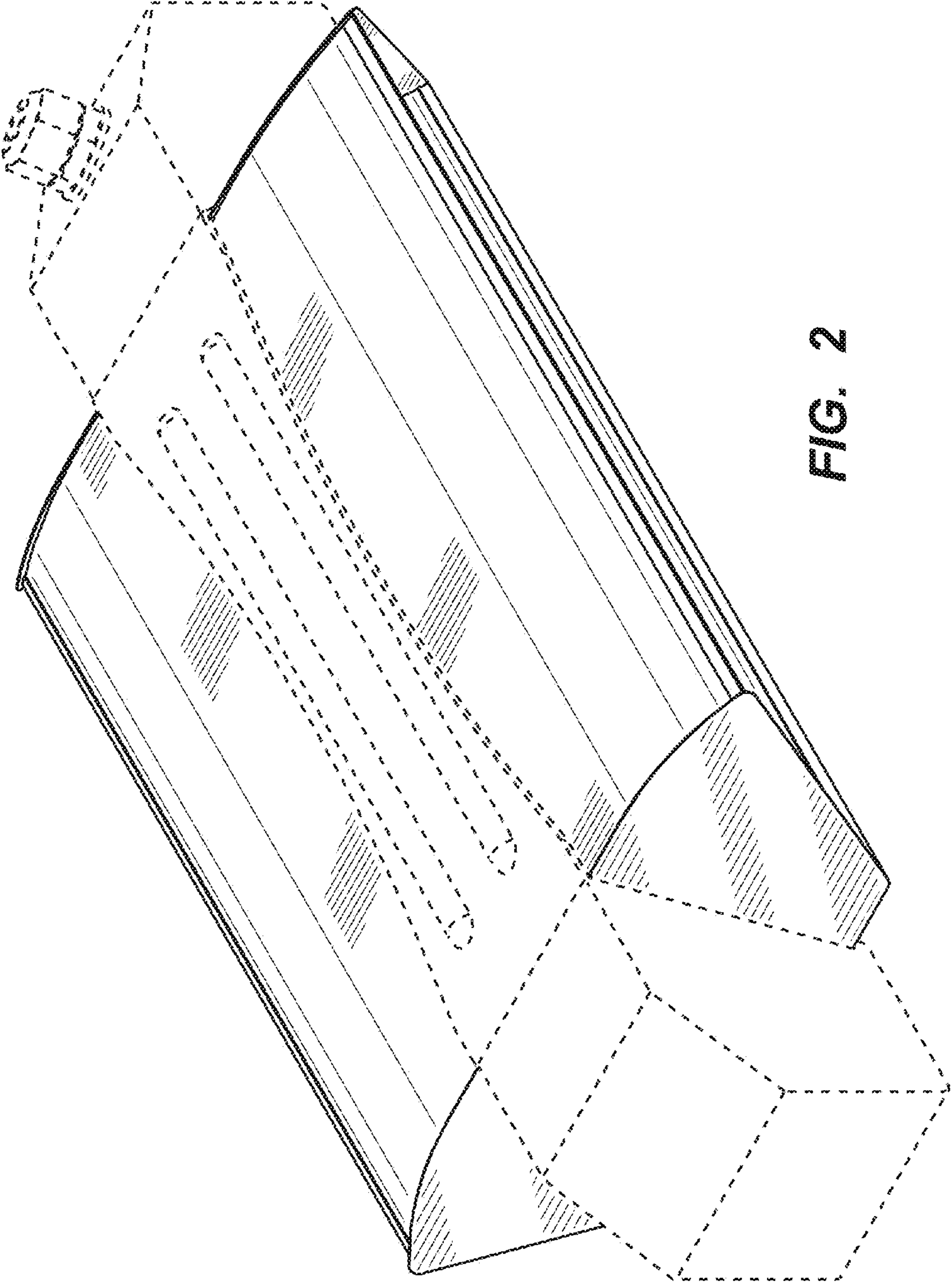


FIG. 2

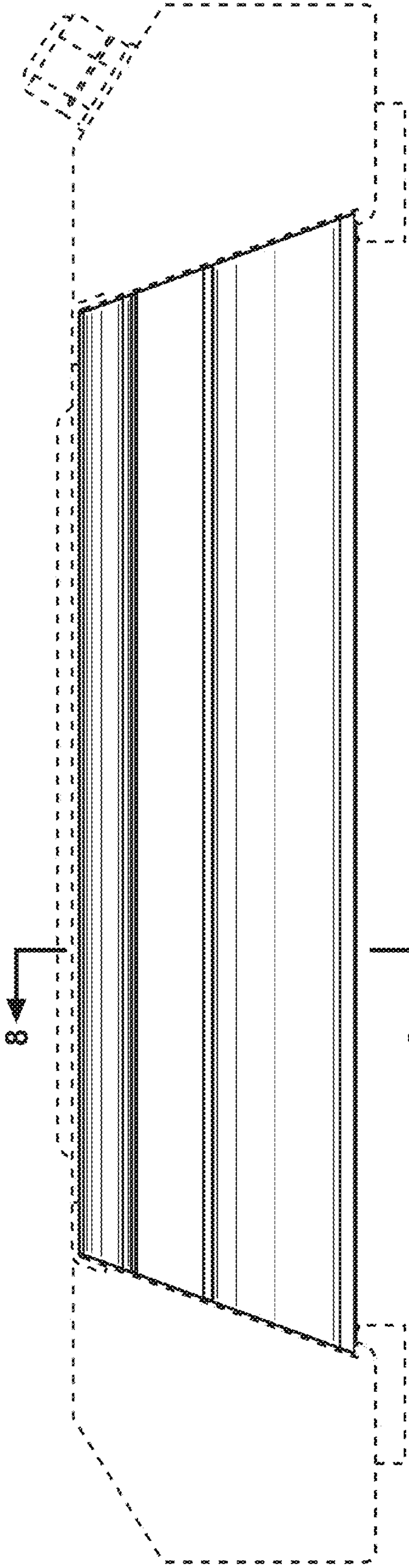


FIG. 3

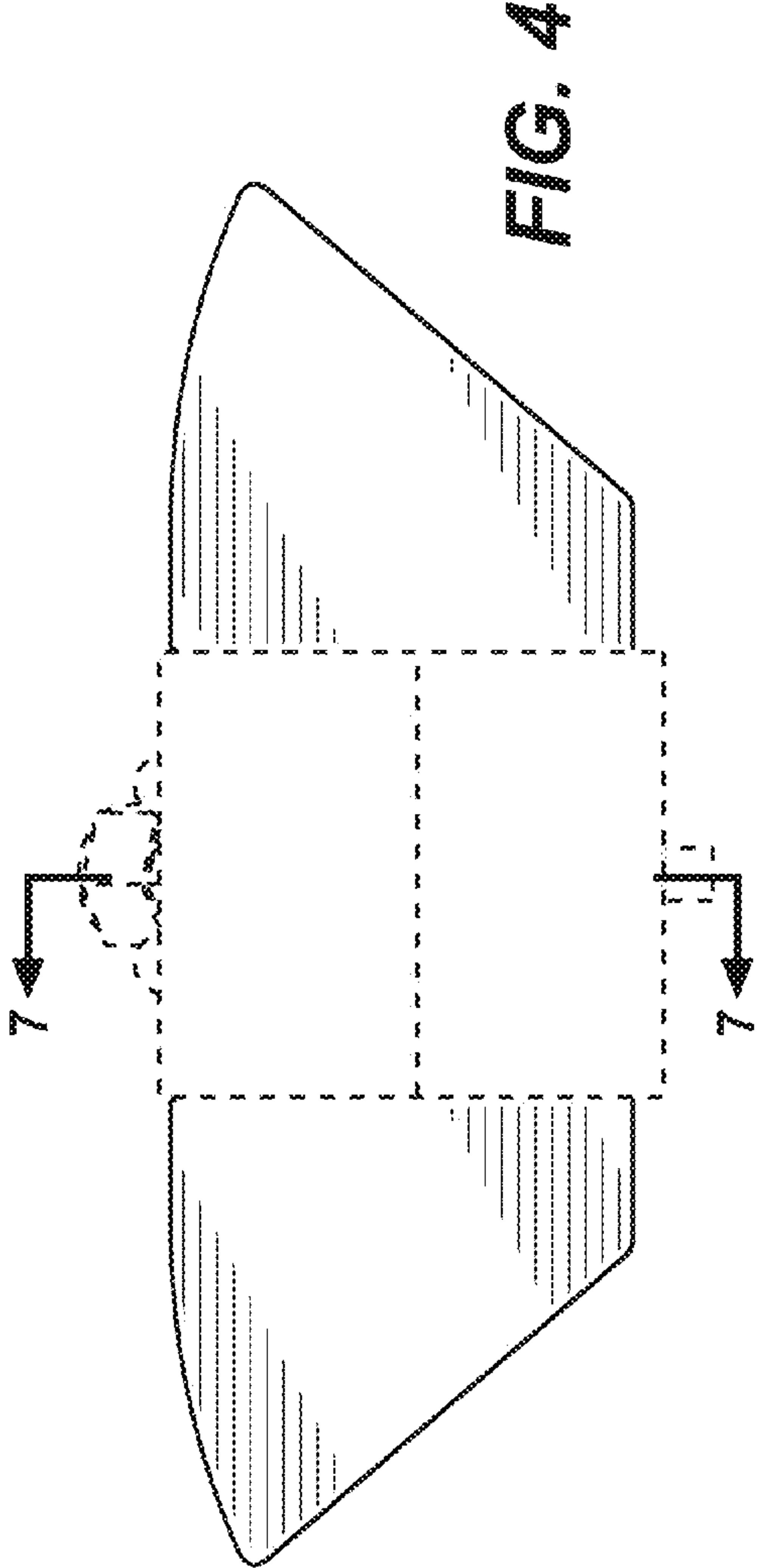


FIG. 4

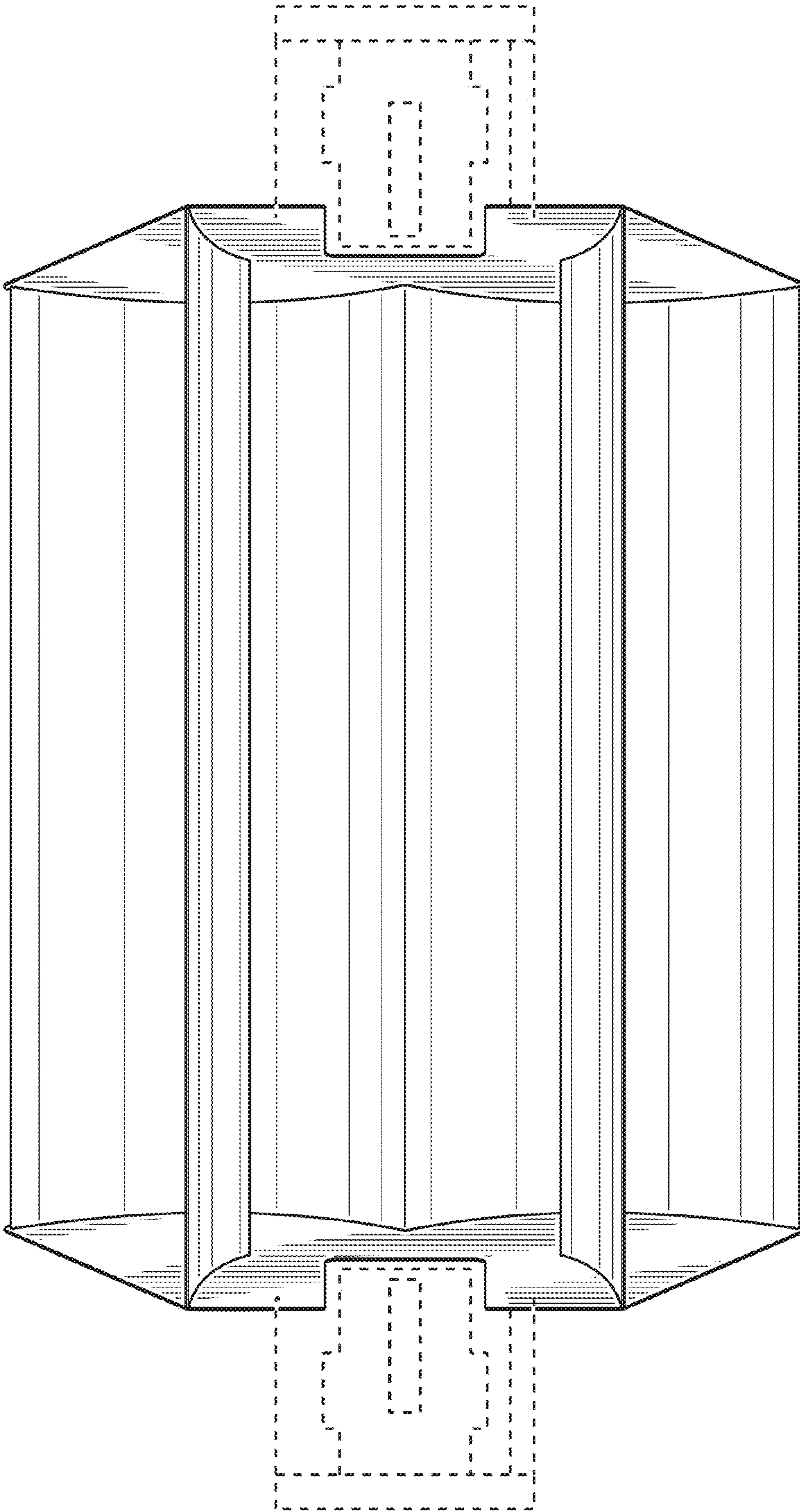


FIG. 5

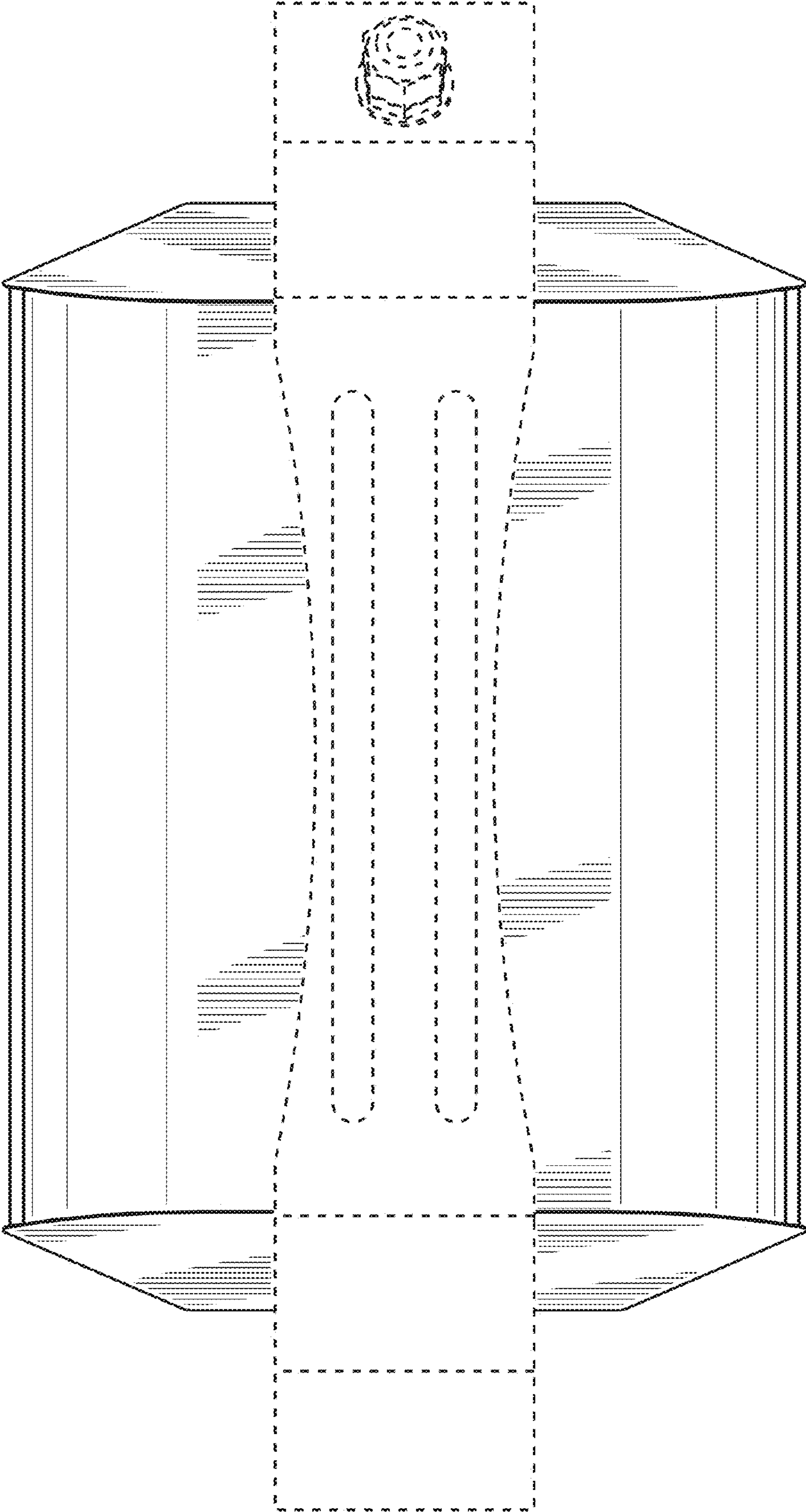


FIG. 6



FIG. 7

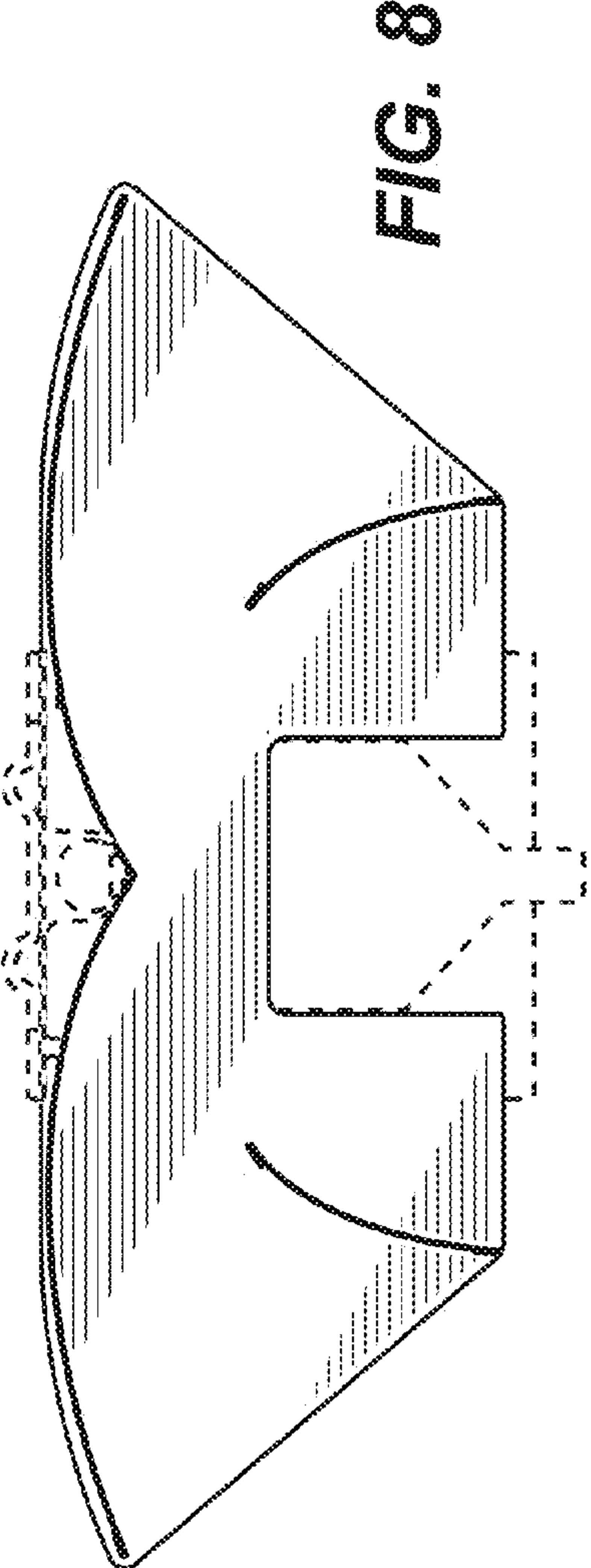


FIG. 8