



US00D731108S

(12) **United States Design Patent**
Ng

(10) **Patent No.:** **US D731,108 S**

(45) **Date of Patent:** **** Jun. 2, 2015**

(54) **LAMP**

(71) Applicant: **Koncept Technologies Inc.**, Monrovia, CA (US)

(72) Inventor: **Kenneth Yat Chung Ng**, Alhambra, CA (US)

(73) Assignee: **KONCEPT TECHNOLOGIES INC.**, Monrovia, CA (US)

(**) Term: **14 Years**

(21) Appl. No.: **29/447,311**

(22) Filed: **Mar. 1, 2013**

(51) **LOC (10) Cl.** **26-03**

(52) **U.S. Cl.**
USPC **D26/107**

(58) **Field of Classification Search**
USPC D26/24, 61-67, 93, 102, 104-106, 108-109, 362/509, 516, 523, 186, 217, 362/255, 257, 277, 317, 319, 351, 354, 355, 362/357, 358, 362, 382, 410, 413, 417, 806
CPC F21K 5/023; F21S 8/021; F21S 48/142; F21S 9/02; F21V 33/006; F21Y 2101/02

See application file for complete search history.

(56) **References Cited**

U.S. PATENT DOCUMENTS

D681,865 S * 5/2013 Lee D26/93
D683,887 S * 6/2013 Sabernig D26/93
D693,516 S * 11/2013 Copeland D26/107

* cited by examiner

Primary Examiner — Brian N Vinson

(74) *Attorney, Agent, or Firm* — Foley & Lardner LLP

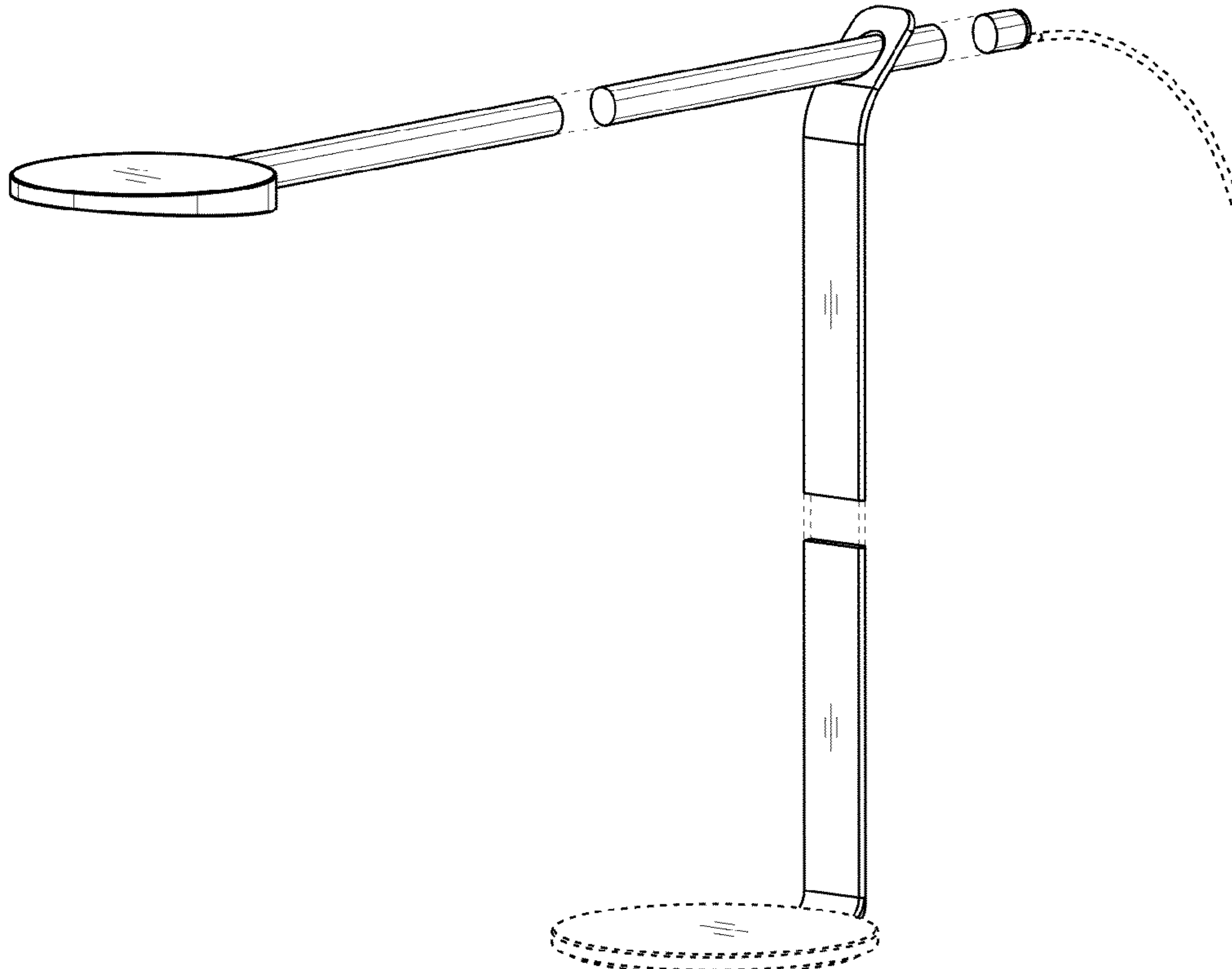
(57) **CLAIM**

The ornamental design for a lamp, as shown.

DESCRIPTION

FIG. 1 is a perspective view of a lamp showing our new design;
FIG. 2 is a right view thereof;
FIG. 3 is a left view thereof;
FIG. 4 is a front view thereof;
FIG. 5 is a rear view thereof
FIG. 6 is a top view thereof; and,
FIG. 7 is a bottom view thereof.
Elements of the lamp have been broken away in some of the figures to indicate that no particular length is claimed: The portions of the lamp shown in broken lines form no part of the claimed design.

1 Claim, 5 Drawing Sheets



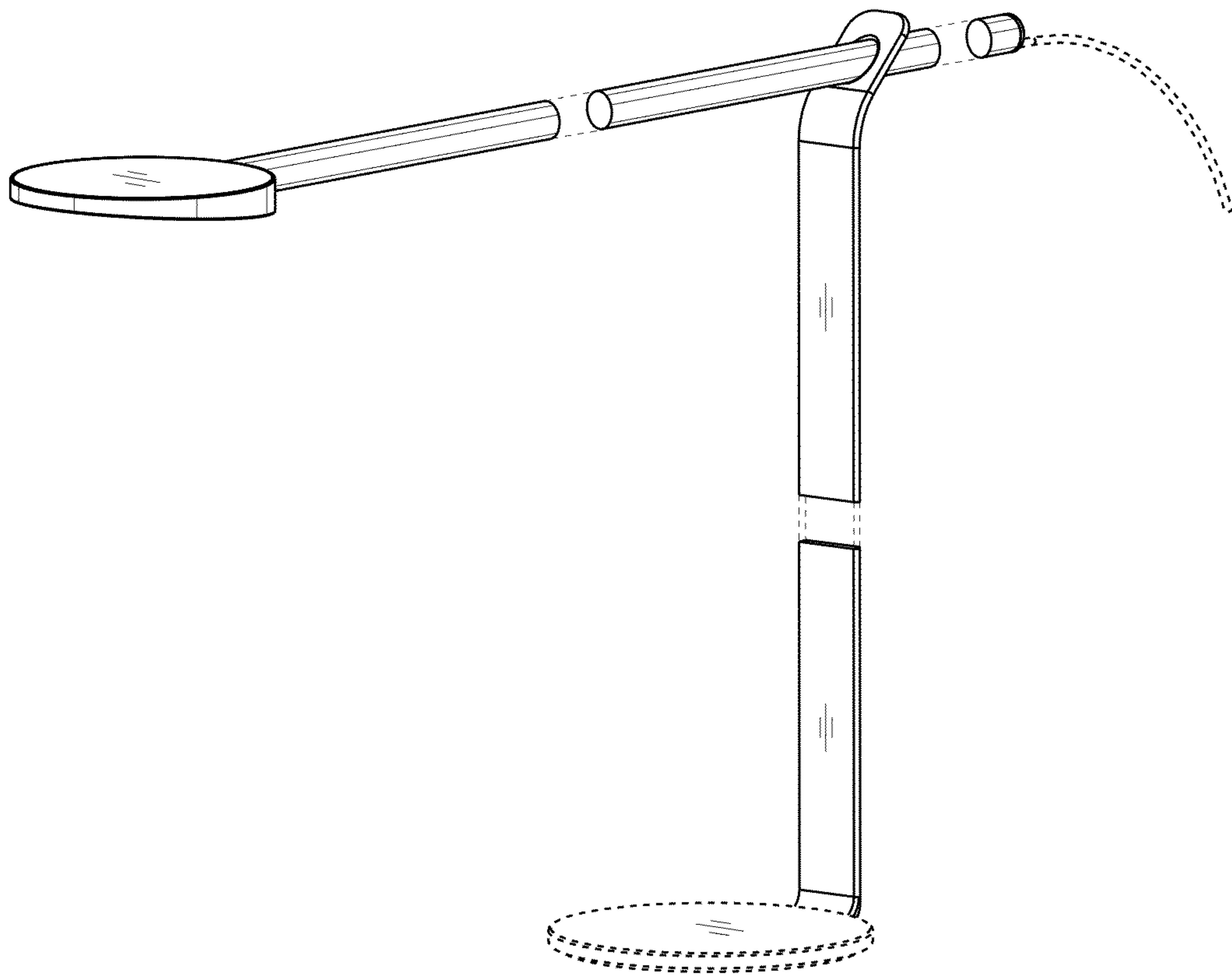


FIG. 1

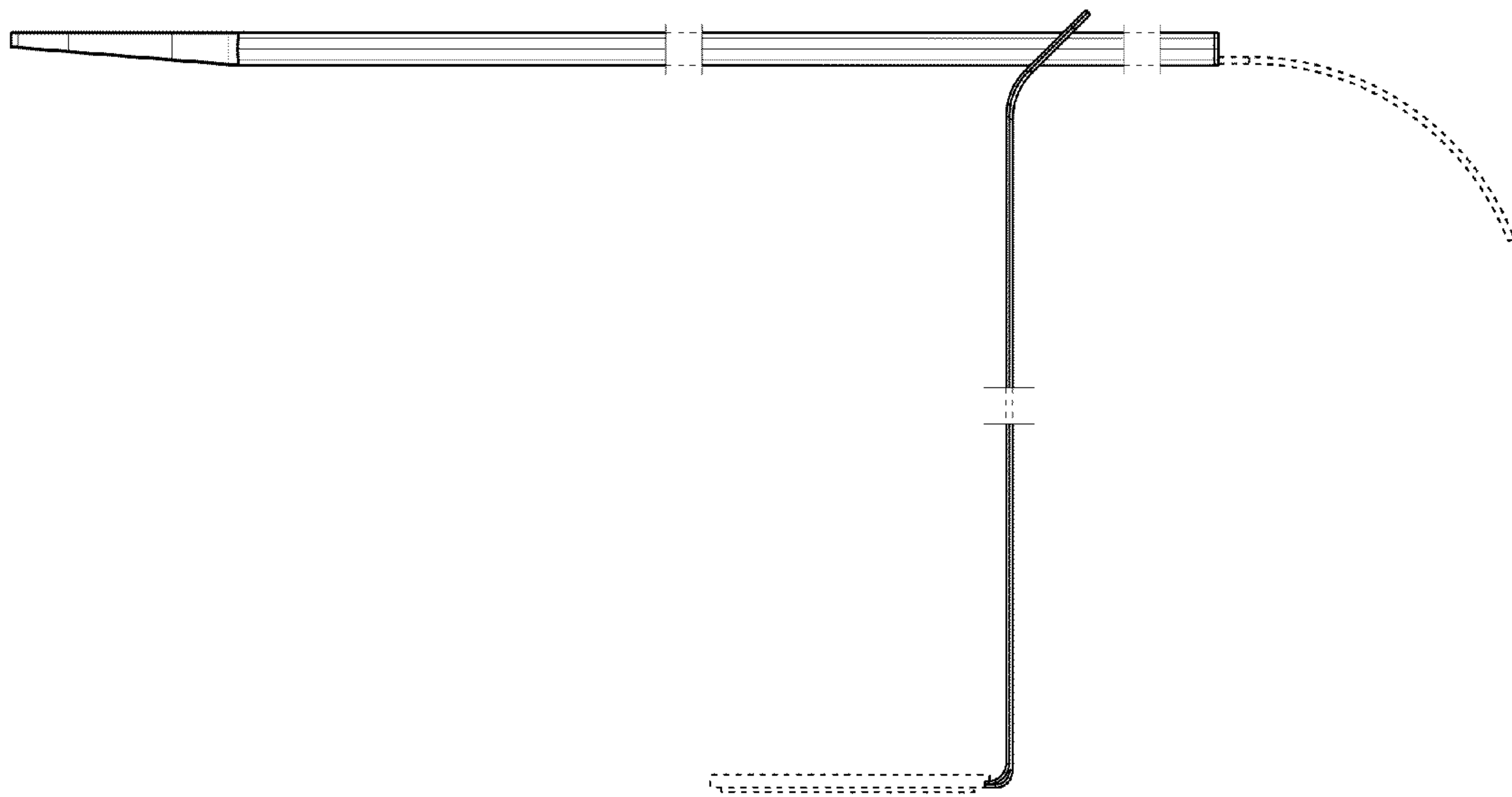


FIG. 2

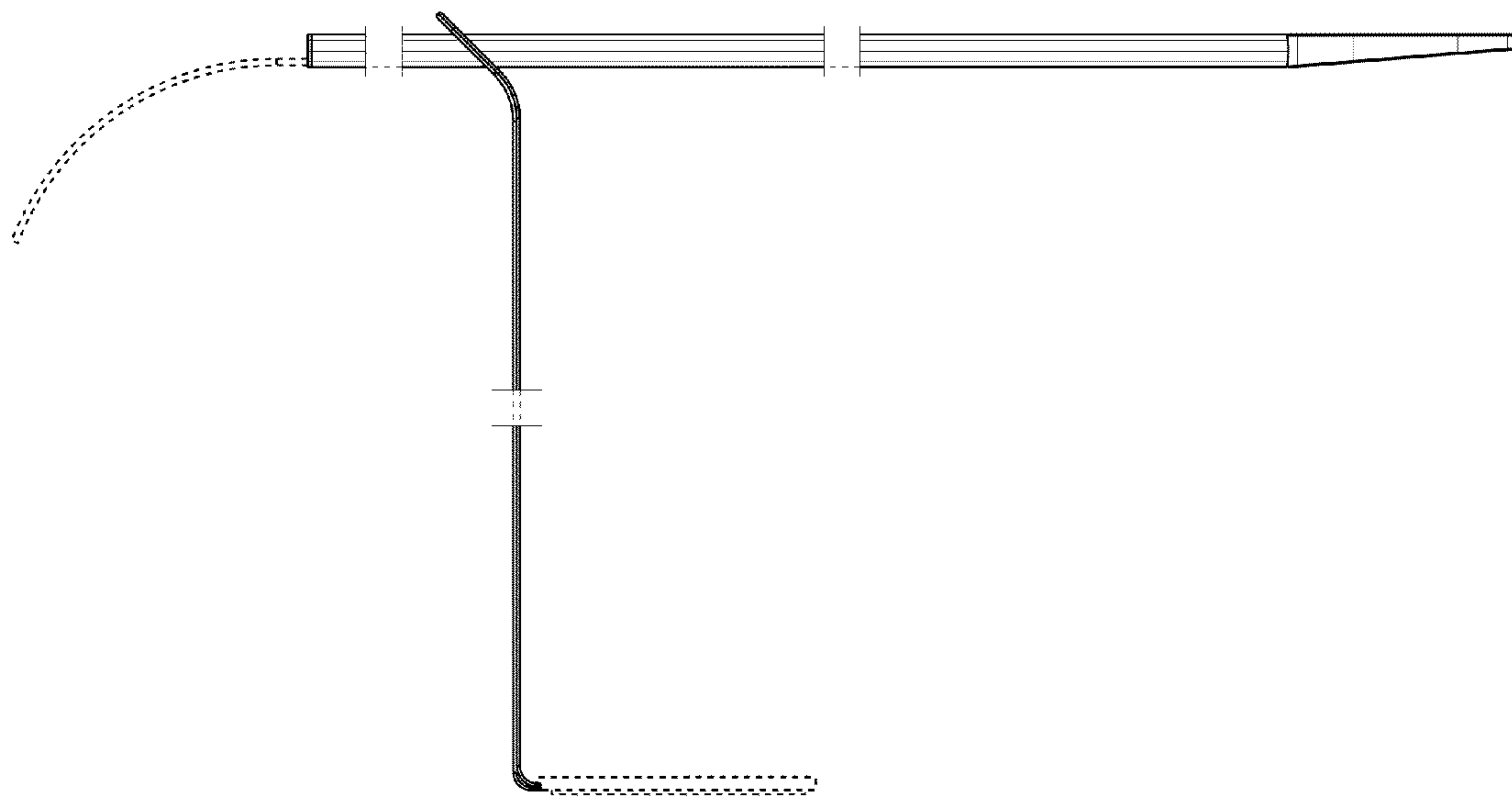


FIG. 3

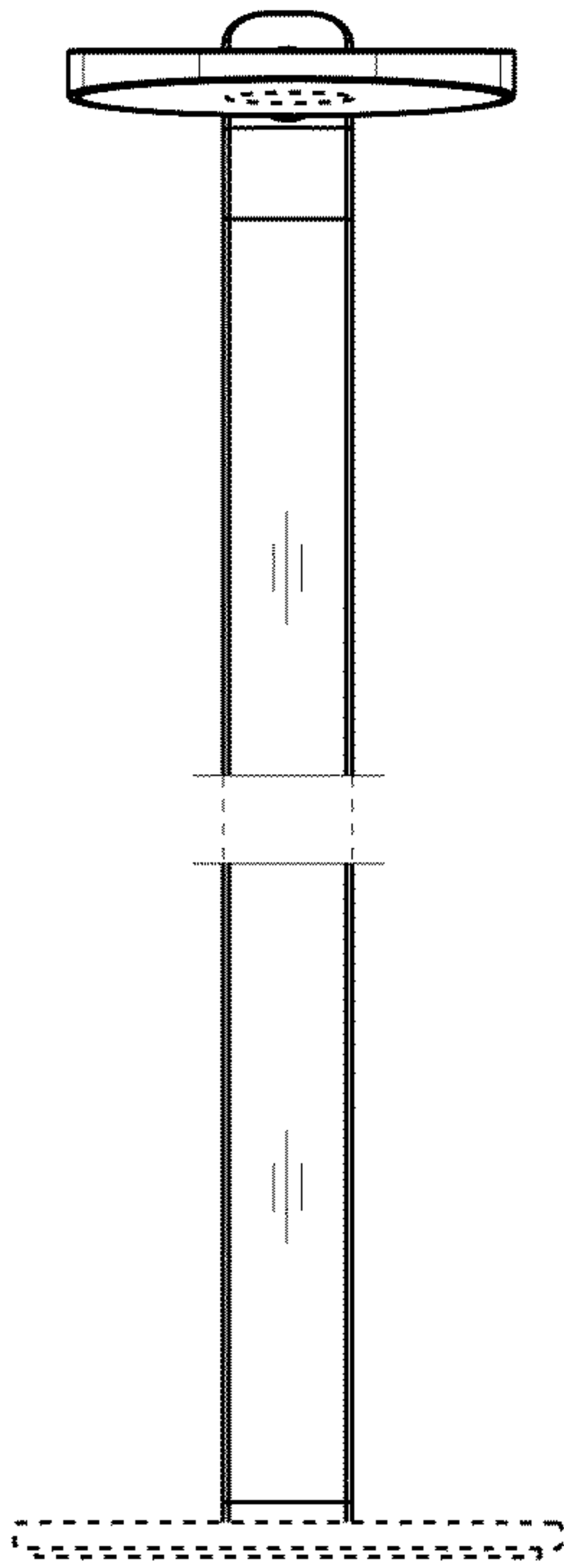


FIG. 4

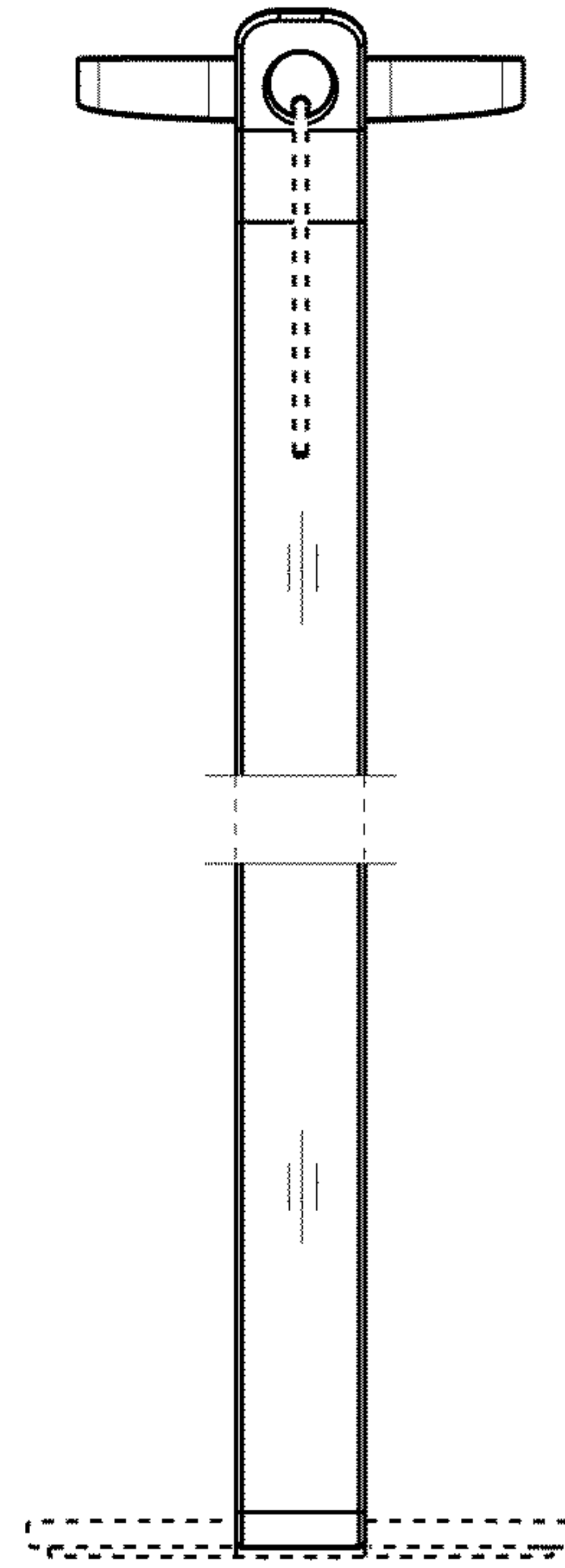


FIG. 5

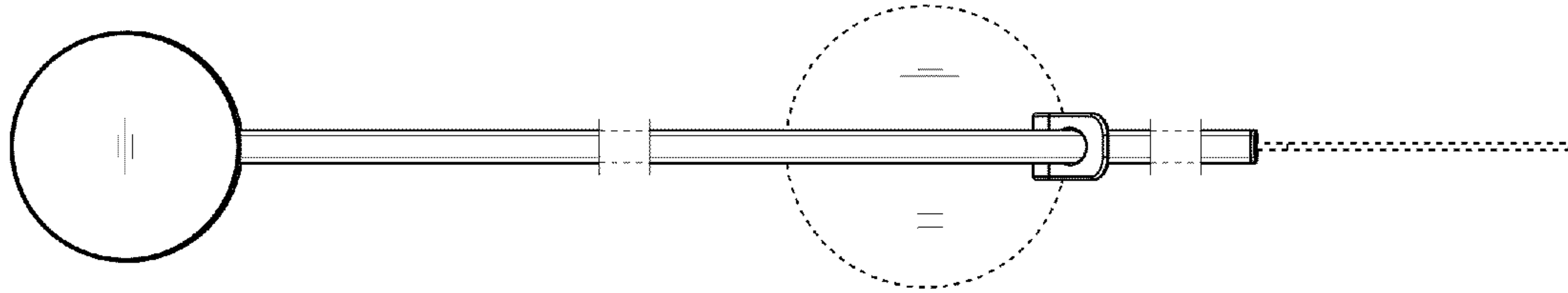


FIG. 6

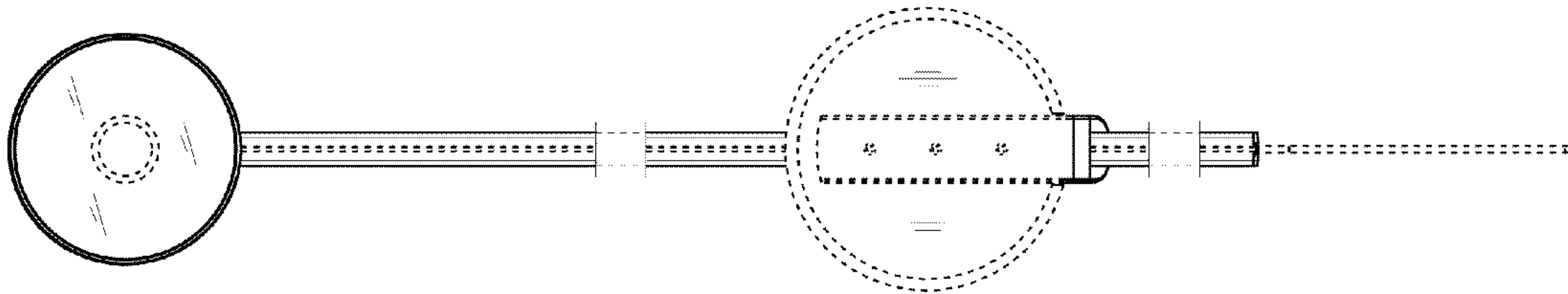


FIG. 7