



US00D731107S

(12) **United States Design Patent**
Wu et al.

(10) **Patent No.:** **US D731,107 S**
(45) **Date of Patent:** **** Jun. 2, 2015**

(54) **LAMP CASING**

(71) Applicants: **Xianyi Wu**, Singapore (SG); **Sean Sun**, Shenzhen (CN)

(72) Inventors: **Xianyi Wu**, Singapore (SG); **Sean Sun**, Shenzhen (CN)

(73) Assignee: **D.Light Design, Inc.**, Grand Cayman (KY)

(**) Term: **14 Years**

(21) Appl. No.: **29/443,201**

(22) Filed: **Jan. 14, 2013**

(51) **LOC (10) Cl.** **26-03**

(52) **U.S. Cl.**
USPC **D26/104**

(58) **Field of Classification Search**
USPC D26/37, 51, 55, 57, 93-112, 40;
362/20, 555, 122, 157-159, 182, 184,
362/189, 190, 253, 410-415, 125, 154, 800
CPC F21V 15/01; F21V 1/00; F21V 3/00;
F21V 2001/00; F21V 21/0885; F21W
2121/00; A47F 11/06

See application file for complete search history.

(56) **References Cited**

U.S. PATENT DOCUMENTS

D214,940 S * 8/1969 Dockstader D26/104
D485,390 S * 1/2004 Stancik et al. D26/104
D577,458 S * 9/2008 Chan et al. D26/104

* cited by examiner

Primary Examiner — Brian N Vinson

(74) *Attorney, Agent, or Firm* — Morgan, Lewis & Bockius LLP

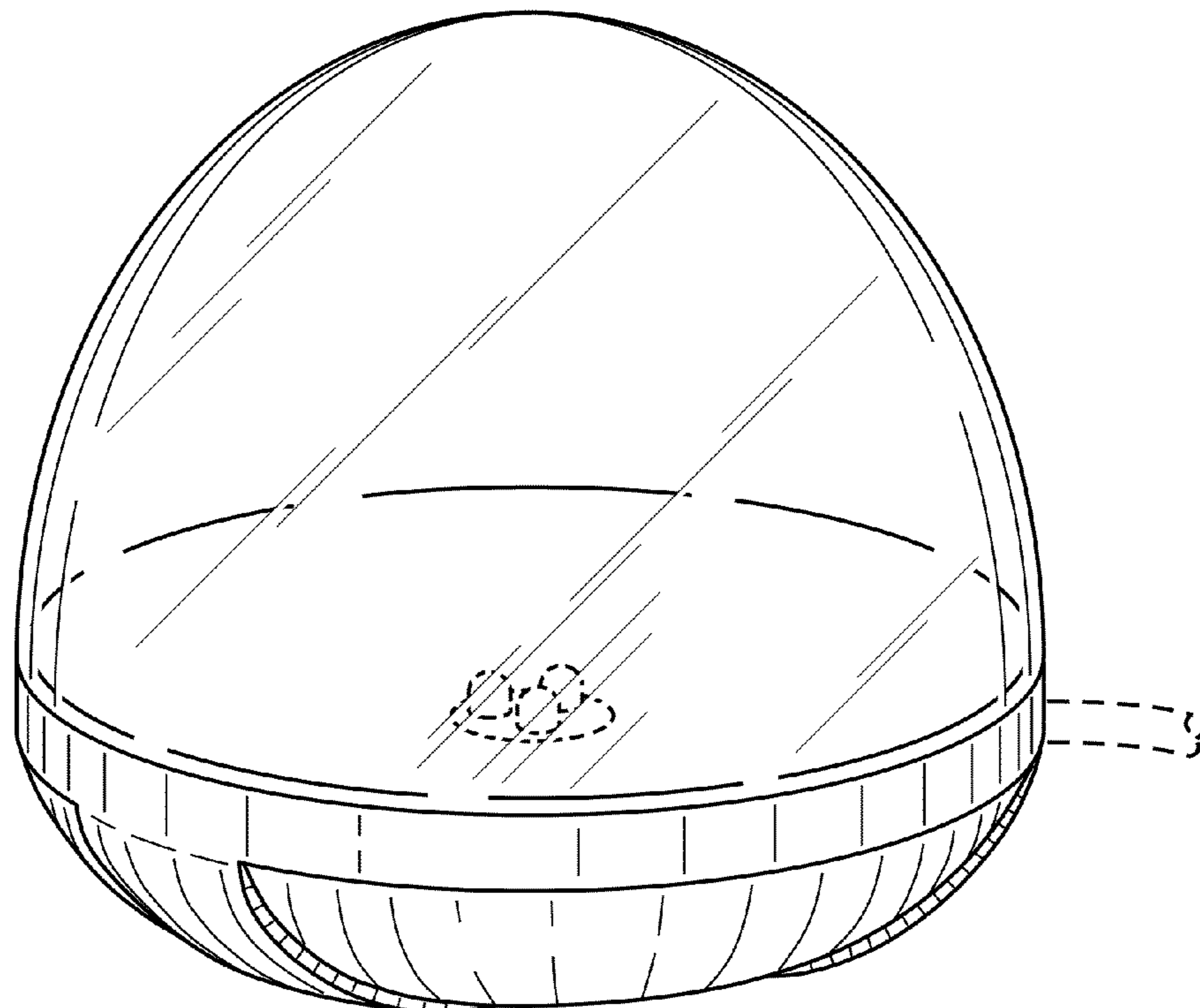
(57) **CLAIM**

The ornamental design for a lamp casing, as shown and described.

DESCRIPTION

FIG. 1 is a front-top perspective view of a lamp casing according to an embodiment of the present disclosure;
FIG. 2 is a first side view thereof;
FIG. 3 is a second side view thereof;
FIG. 4 is a third side view thereof;
FIG. 5 is a top view thereof; and,
FIG. 6 is a bottom view thereof.
The broken lines shown in FIGS. 1-2 and 4-6 are for illustrative purposes only and form no part of the claimed design.

1 Claim, 6 Drawing Sheets



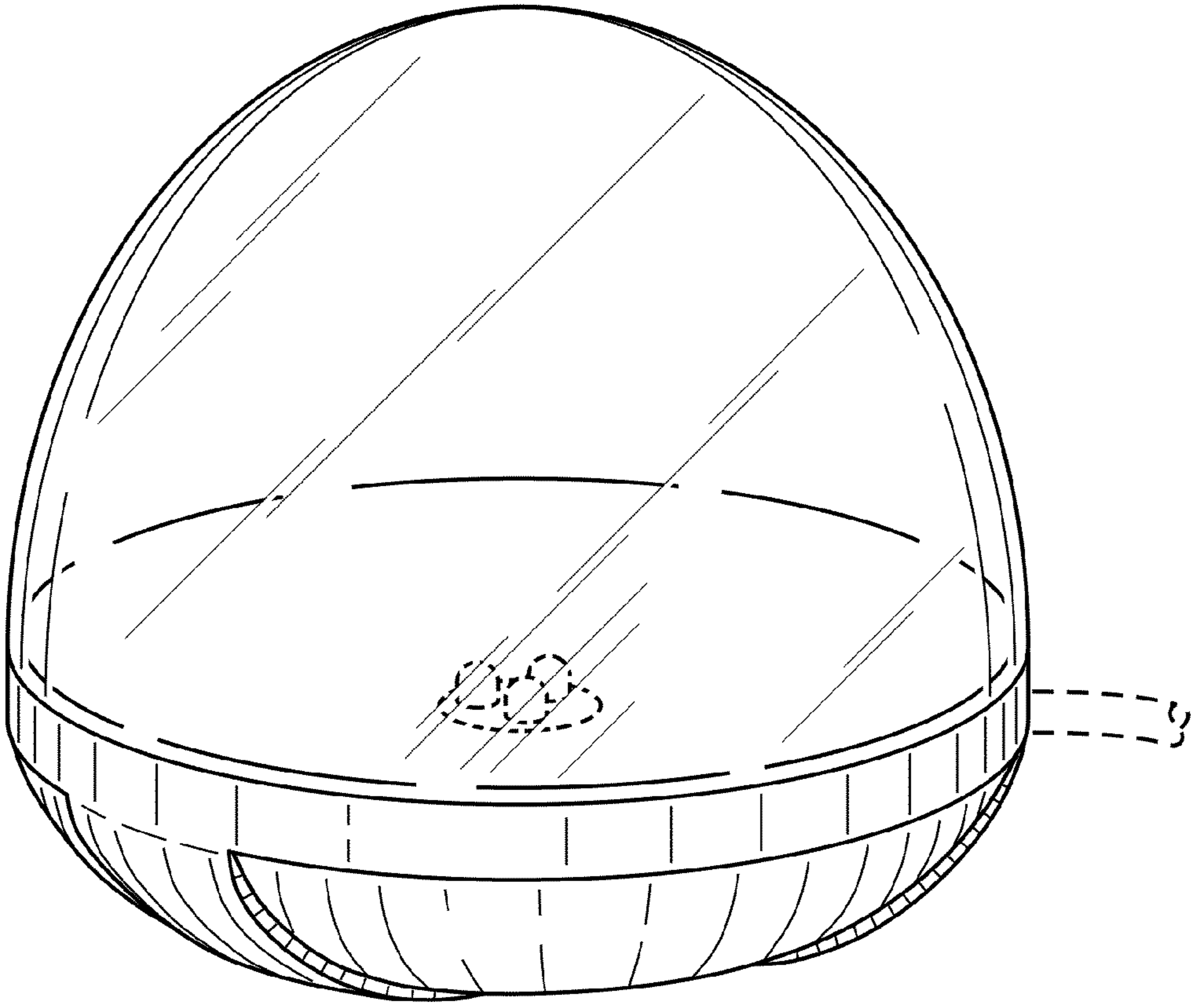


FIG. 1

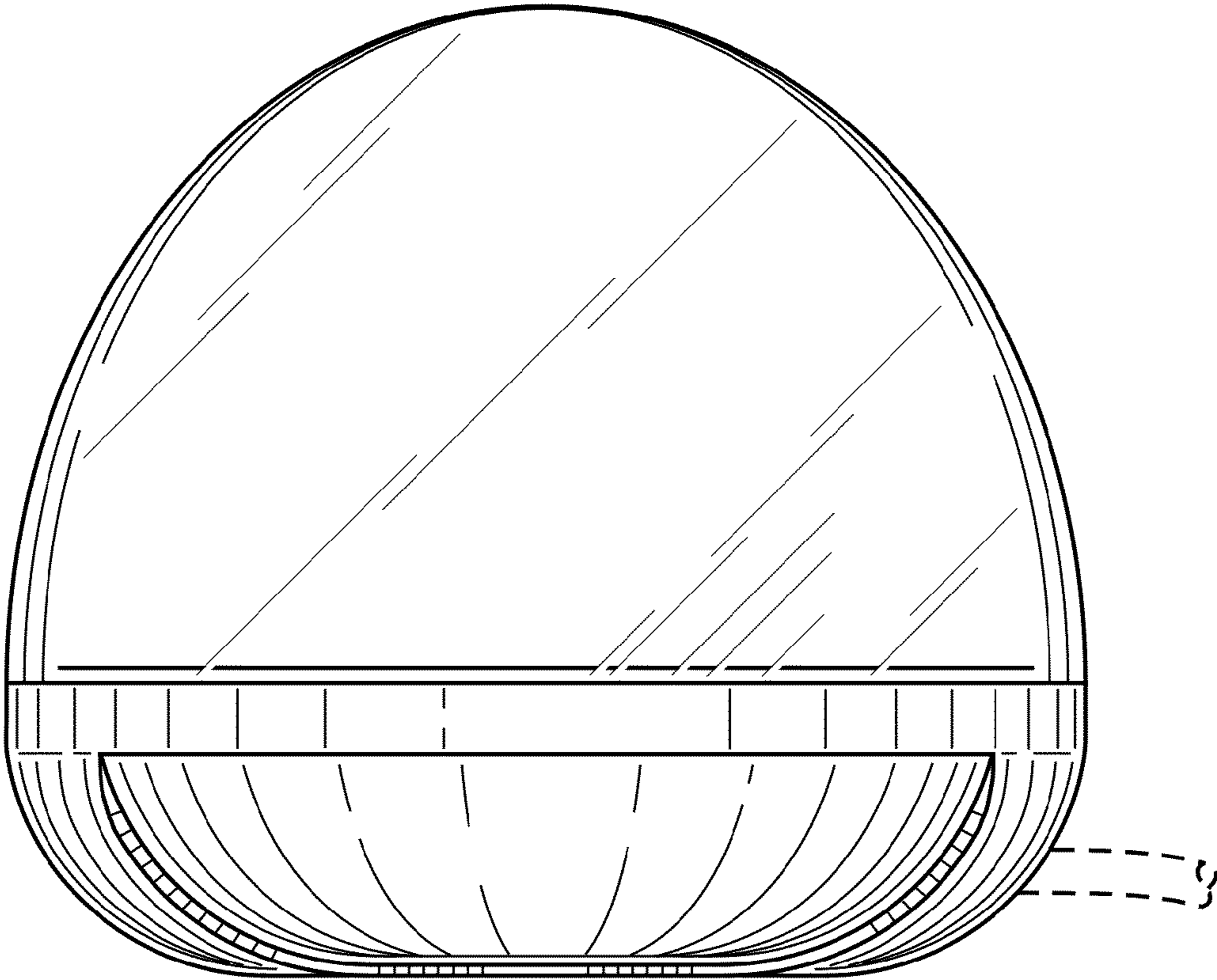


FIG. 2

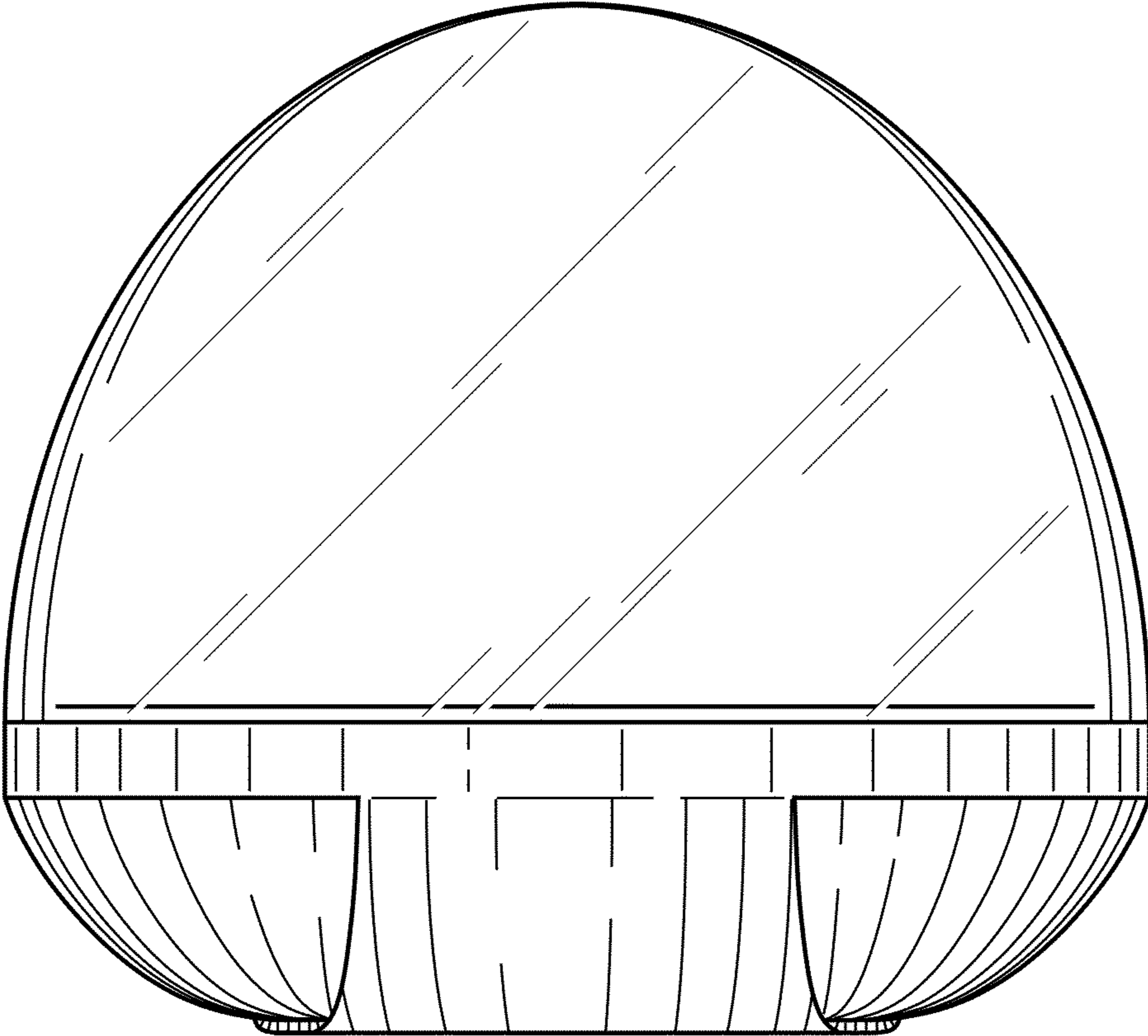


FIG. 3

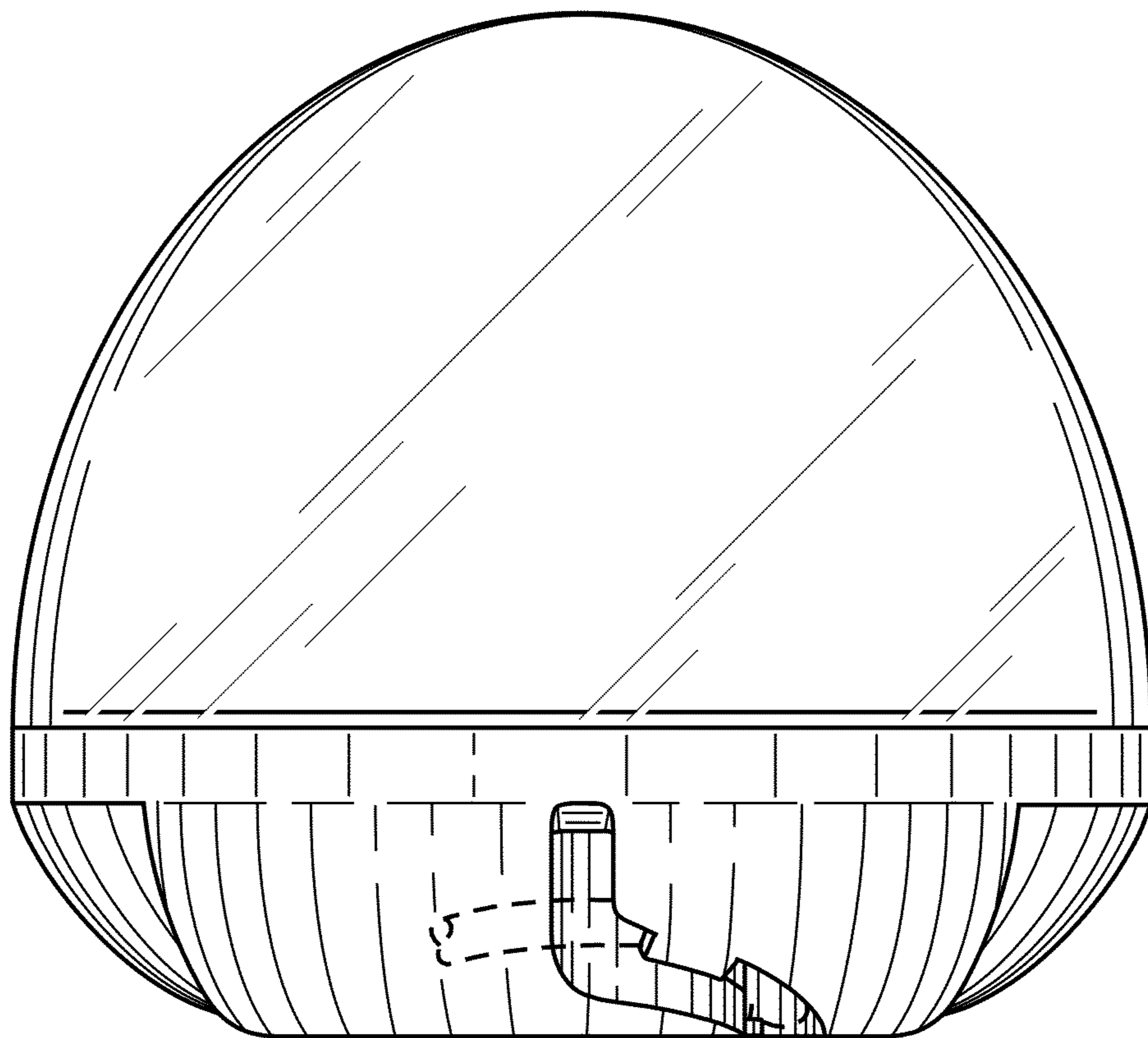


FIG. 4

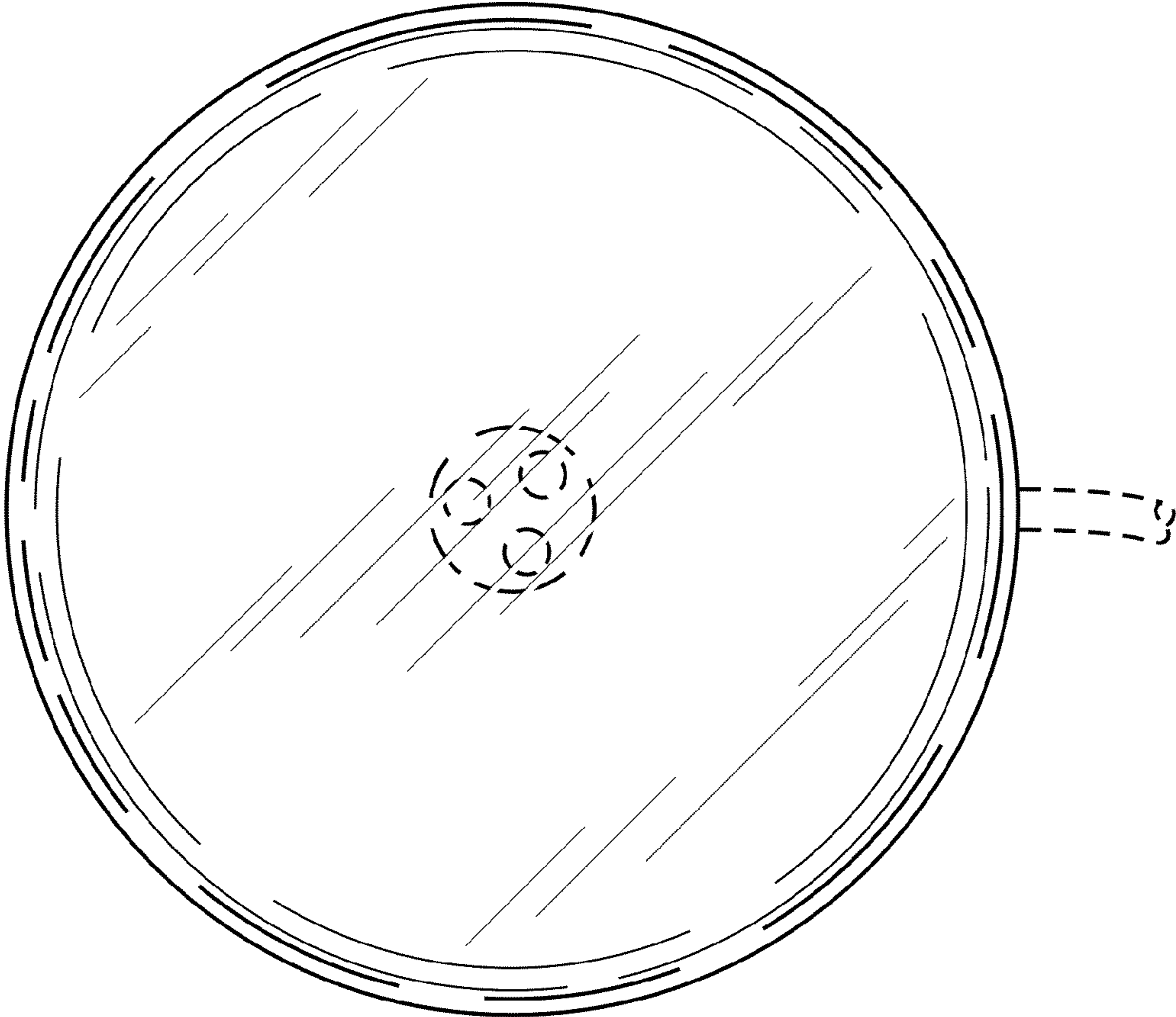


FIG. 5

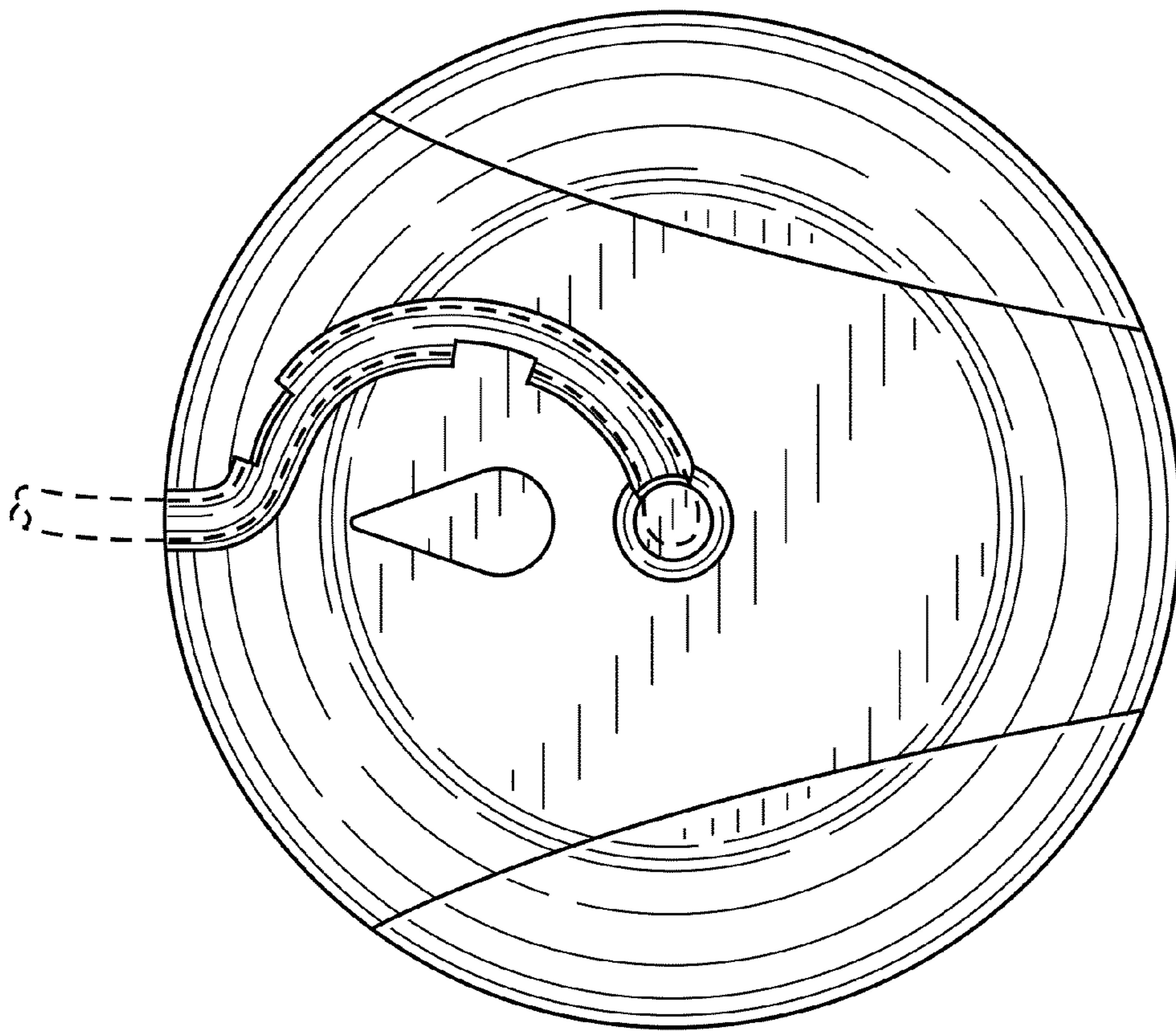


FIG. 6