



US00D731105S

(12) **United States Design Patent**  
**Blackman**

(10) **Patent No.:** **US D731,105 S**  
(45) **Date of Patent:** **\*\* Jun. 2, 2015**

(54) **LIGHTING FIXTURE**

(71) Applicant: **BlackJack Lighting LLC**, Buffalo Grove, IL (US)

(72) Inventor: **Stephen Blackman**, Buffalo Grove, IL (US)

(73) Assignee: **BlackJack Lighting LLC**, Buffalo Grove, IL (US)

(\*\*) Term: **14 Years**

(21) Appl. No.: **29/508,671**

(22) Filed: **Nov. 10, 2014**

(51) **LOC (10) Cl.** ..... **26-03**

(52) **U.S. Cl.**  
USPC ..... **D26/88**

(58) **Field of Classification Search**  
USPC ..... D26/25, 80-92, 118; 362/147, 404-408  
CPC ..... F21W 2121/00; F21S 8/00; F21S 4/00  
See application file for complete search history.

(56) **References Cited**

U.S. PATENT DOCUMENTS

D79,425 S \* 9/1929 Hellvik ..... D26/81  
D79,814 S \* 11/1929 Hoch ..... D26/81

(Continued)

*Primary Examiner* — Clare E Hefflin

(74) *Attorney, Agent, or Firm* — Hinshaw & Culbertson LLP

(57) **CLAIM**

I claim the ornamental design for a lighting fixture, as shown and described.

**DESCRIPTION**

FIG. 1 is a bottom perspective view of the lighting fixture of the invention.

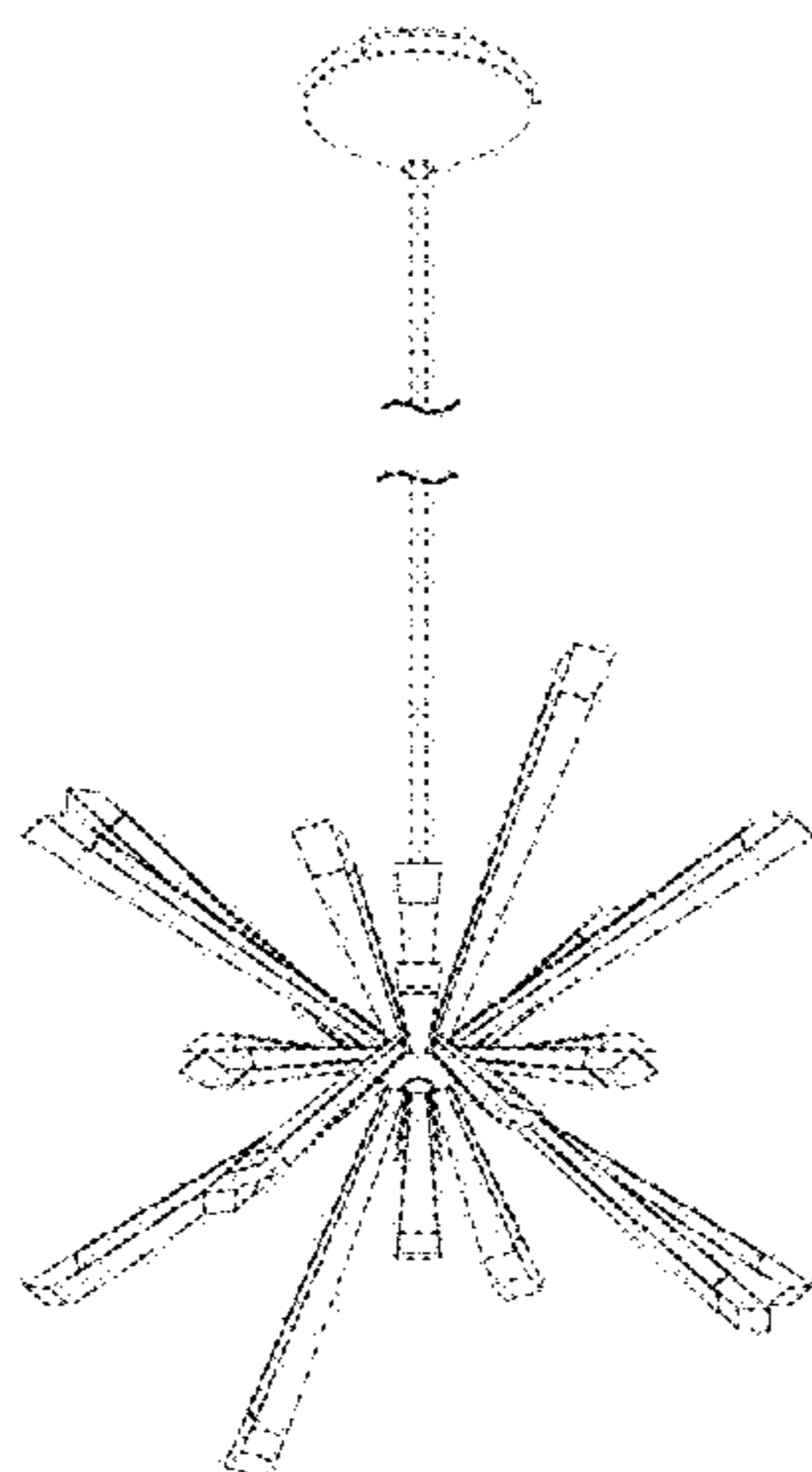


FIG. 2 is an elevation view of the lighting fixture of the invention.

FIG. 3 is an elevation view of the lighting fixture of the invention.

FIG. 4 is an elevation view of the lighting fixture of the invention.

FIG. 5 is an elevation view of the lighting fixture of the invention.

FIG. 6 is a top plan view of the lighting fixture of the invention.

FIG. 7 is a top perspective view of the lighting fixture of the invention.

FIG. 8 is a bottom plan view of the lighting fixture of the invention.

FIG. 9 is a bottom perspective view of an alternate embodiment of the lighting fixture of the invention.

FIG. 10 is an elevation view of the lighting fixture of FIG. 9.

FIG. 11 is an elevation view of the lighting fixture of FIG. 9.

FIG. 12 is an elevation view of the lighting fixture of FIG. 9.

FIG. 13 is an elevation view of the lighting fixture of FIG. 9.

FIG. 14 is an elevation view of the lighting fixture of FIG. 9.

FIG. 15 is an elevation view of the lighting fixture of FIG. 9.

FIG. 16 is a top plan view of the lighting fixture of FIG. 9.

FIG. 17 is a top perspective view of the lighting fixture of FIG. 9.

FIG. 18 is a bottom plan view of the lighting fixture of FIG. 9.

FIG. 19 is a bottom perspective view of another alternate embodiment of the lighting fixture of the invention.

FIG. 20 is an elevation view of the lighting fixture of FIG. 19.

FIG. 21 is an elevation view of the lighting fixture of FIG. 19.

FIG. 22 is an elevation view of the lighting fixture of FIG. 19.

FIG. 23 is an elevation view of the lighting fixture of FIG. 19.

FIG. 24 is an elevation view of the lighting fixture of FIG. 19.

FIG. 25 is an elevation view of the lighting fixture of FIG. 19.

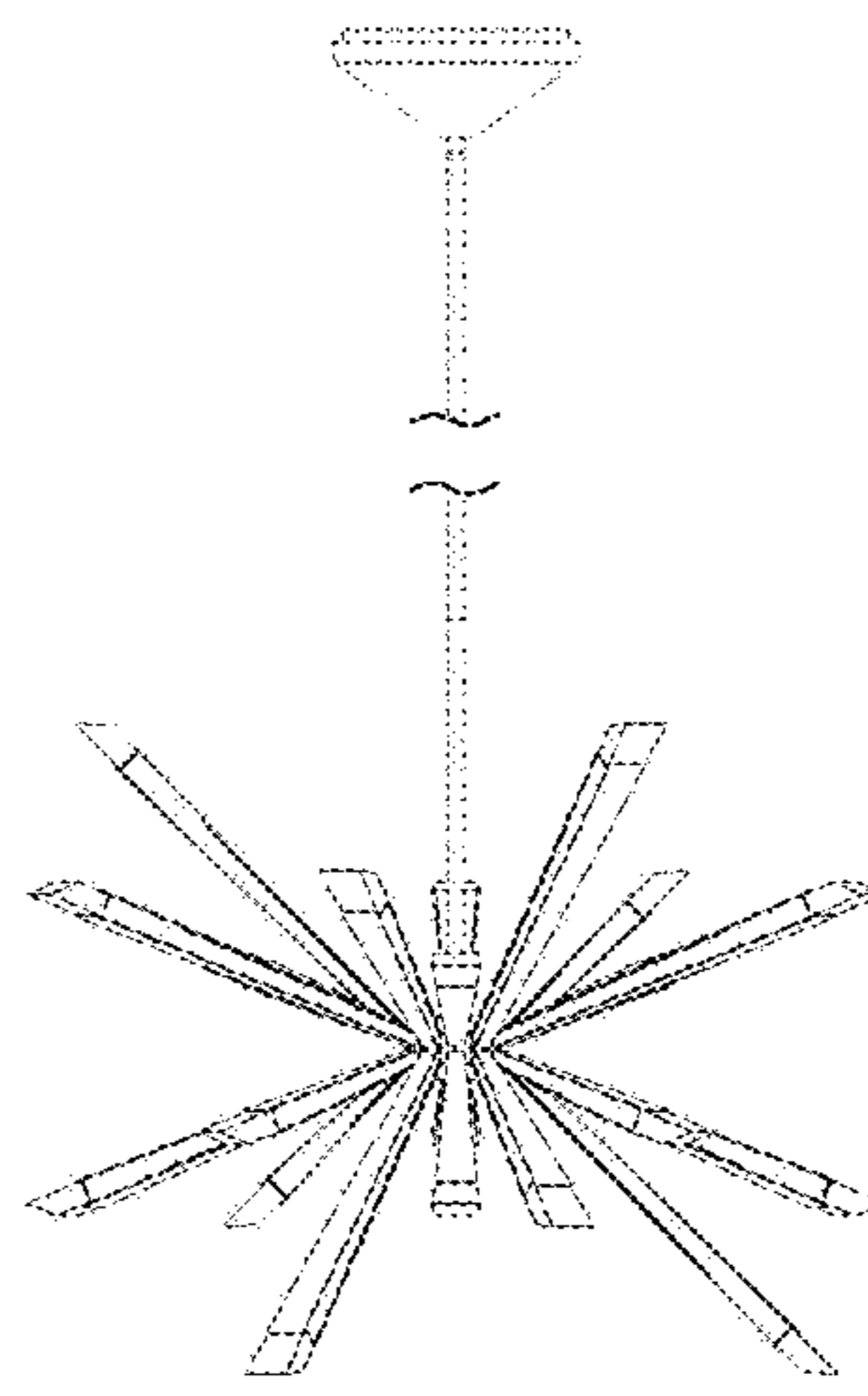
FIG. 26 is a top plan view of the lighting fixture of FIG. 19.

FIG. 27 is a top perspective view of the lighting fixture of FIG. 19; and,

FIG. 28 is a bottom plan view of the lighting fixture of FIG. 19.

The broken lines are for illustrative purposes only and form no part of the claimed design.

**1 Claim, 28 Drawing Sheets**



(56)

**References Cited**

U.S. PATENT DOCUMENTS

D100,939 S \* 8/1936 D'Aschbach ..... D11/121  
D179,086 S \* 10/1956 Kelly ..... D26/86  
D181,554 S \* 11/1957 Stiffel ..... D26/81  
3,018,362 A \* 1/1962 Joyce ..... 362/566  
D550,586 S \* 9/2007 Tsai ..... D11/117  
D554,560 S \* 11/2007 Tsai ..... D11/117  
D570,526 S \* 6/2008 Cenedese ..... D26/88

D602,190 S \* 10/2009 Sperling ..... D26/81  
D647,660 S \* 10/2011 Steenhoudt ..... D26/83  
D647,661 S \* 10/2011 Steenhoudt ..... D26/84  
D666,354 S \* 8/2012 Bracher ..... D26/143  
D683,896 S \* 6/2013 Yando ..... D26/144  
D685,513 S \* 7/2013 Salvadori ..... D26/88  
D696,450 S \* 12/2013 Coury ..... D26/88  
D703,365 S \* 4/2014 Martin ..... D26/88  
D719,697 S \* 12/2014 Wanders ..... D26/81  
D719,698 S \* 12/2014 Mollaghaffari et al. .... D26/81

\* cited by examiner

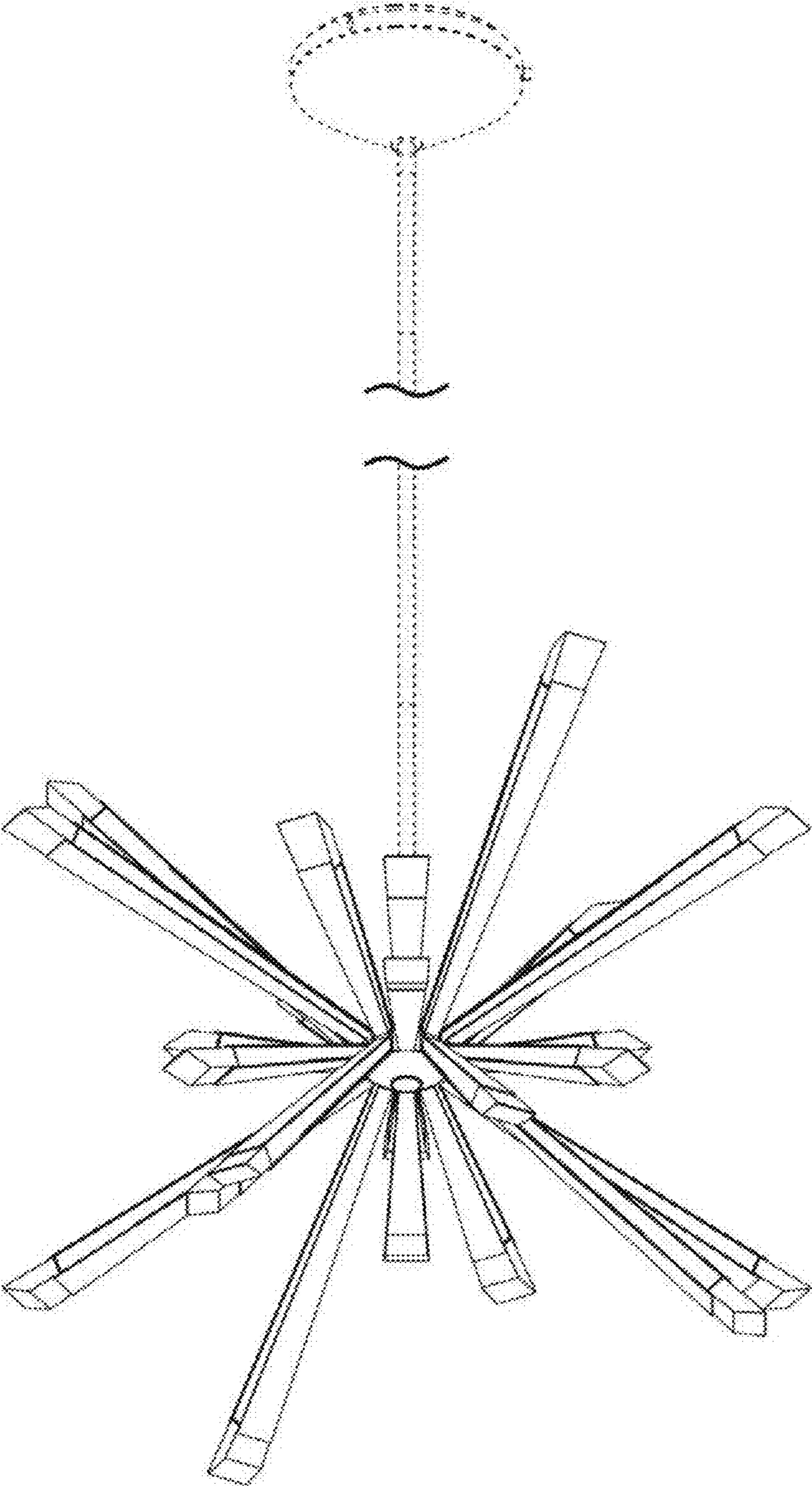


FIG. 1

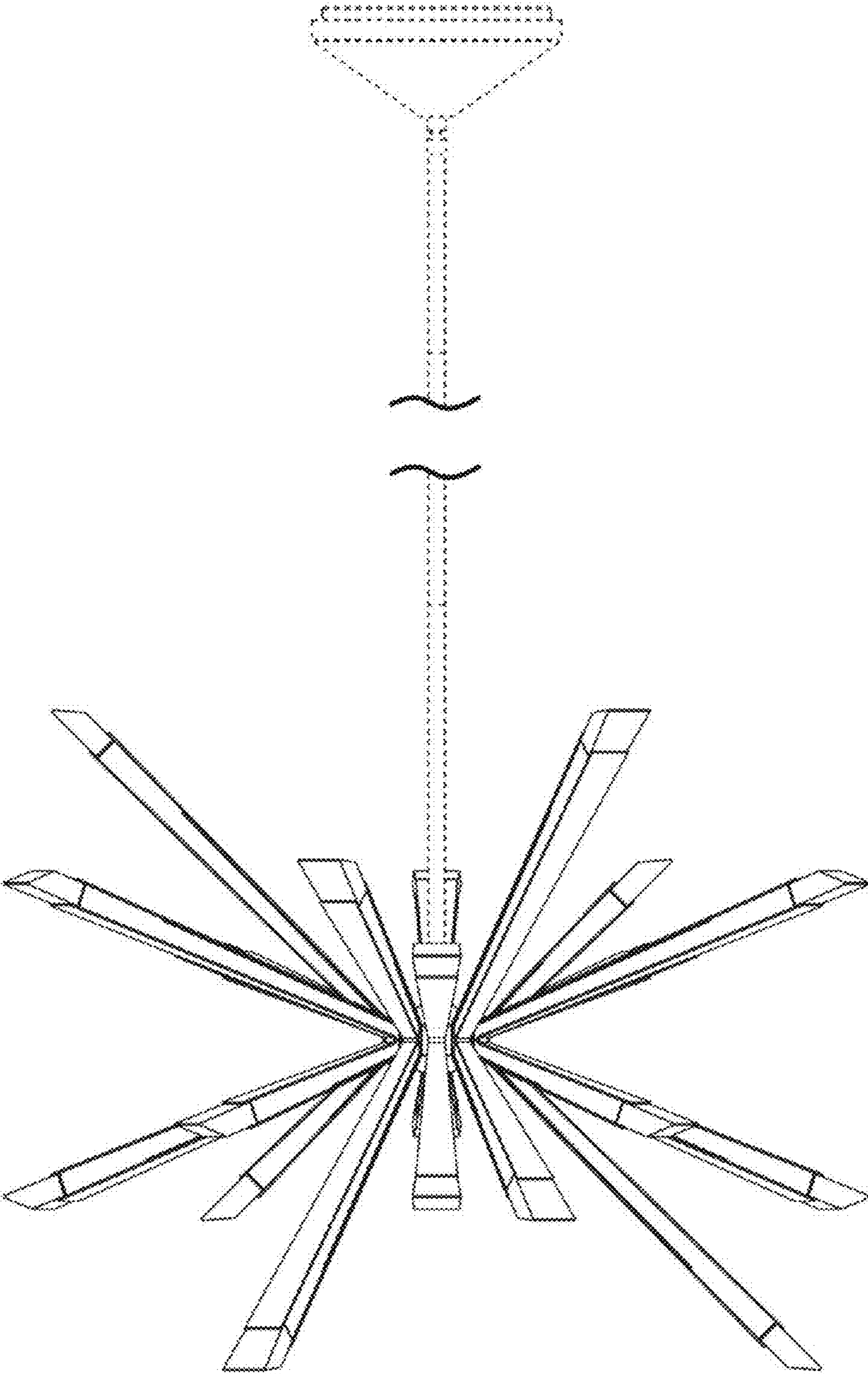


FIG. 2

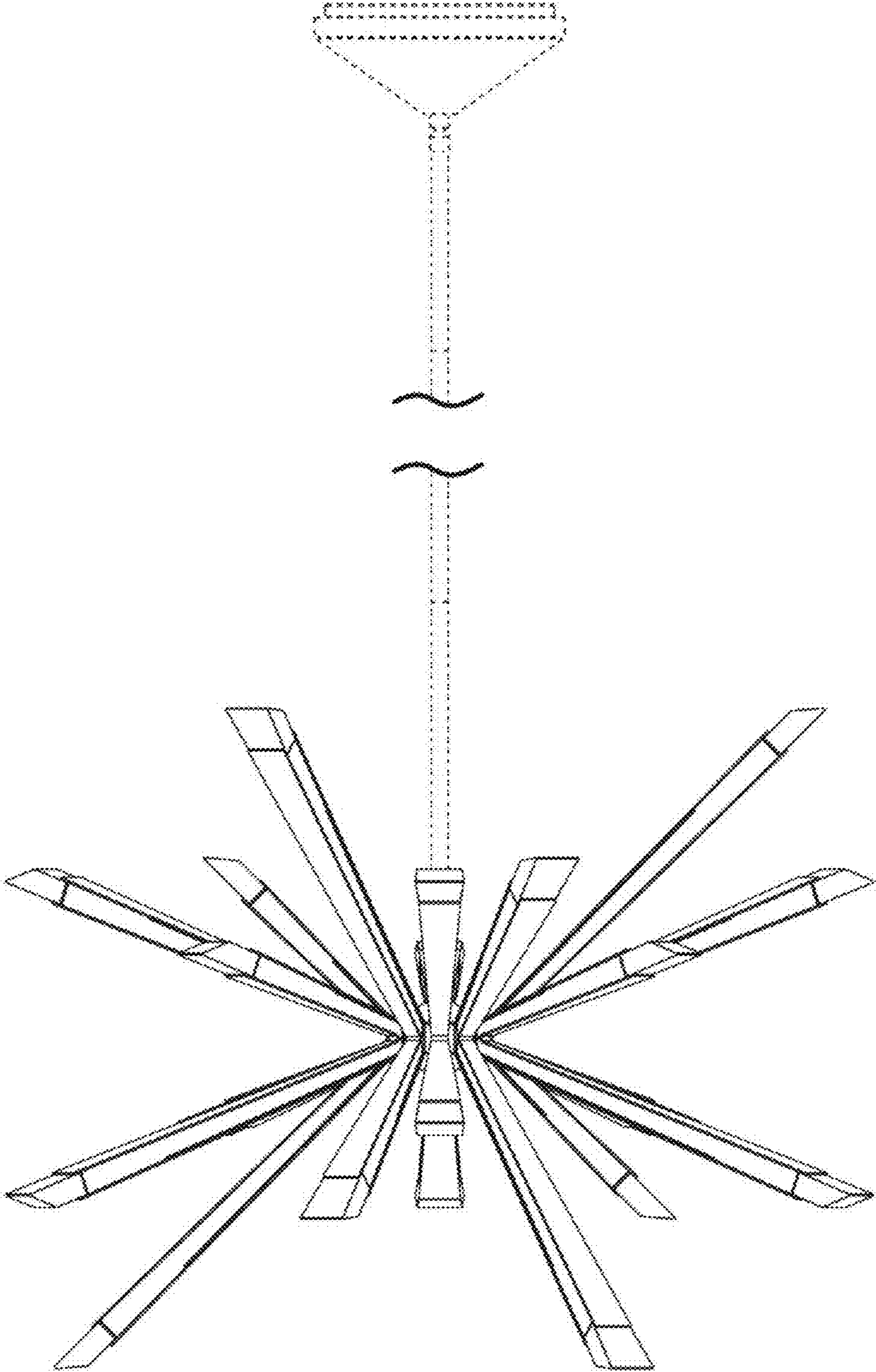


FIG. 3

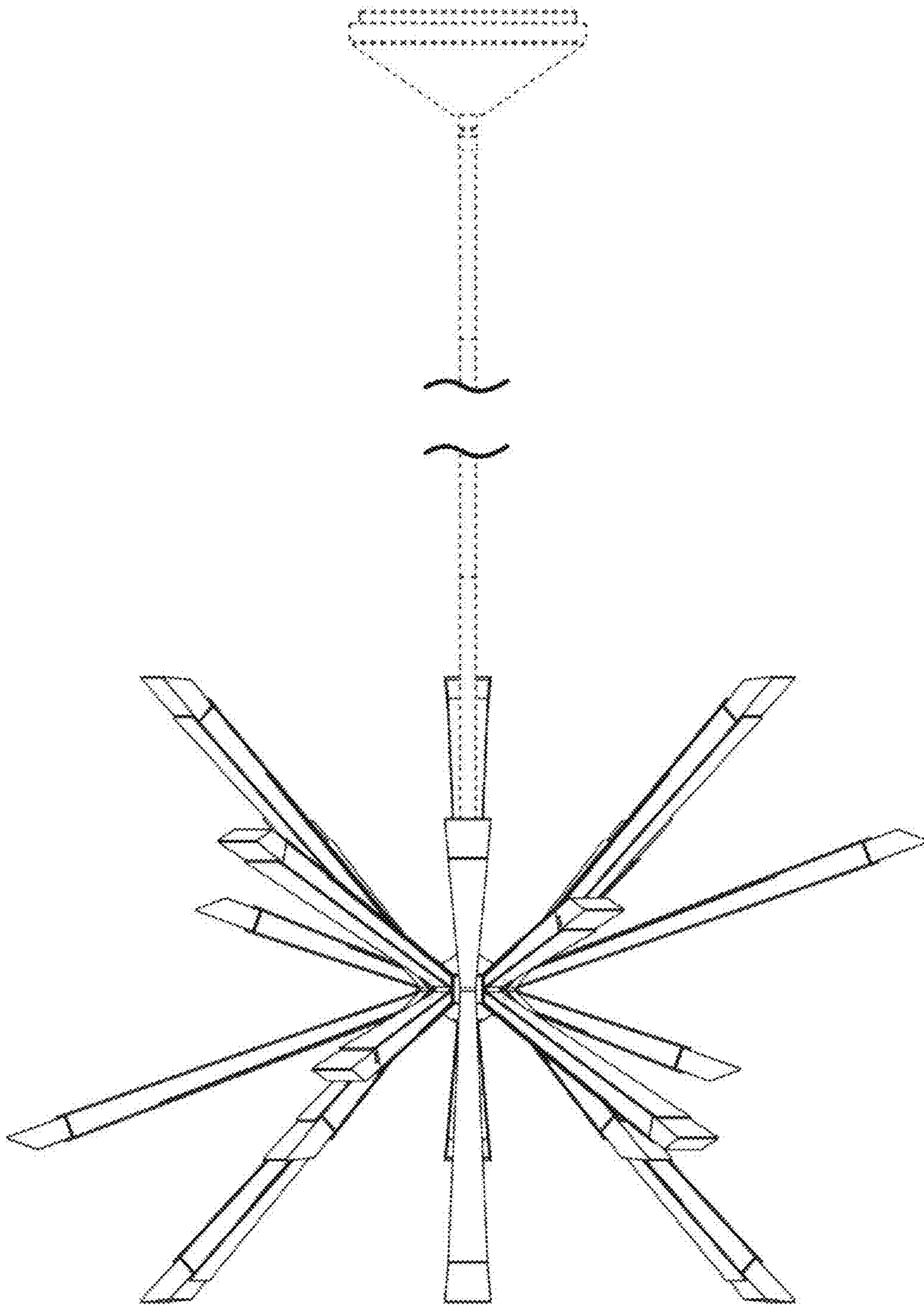


FIG. 4

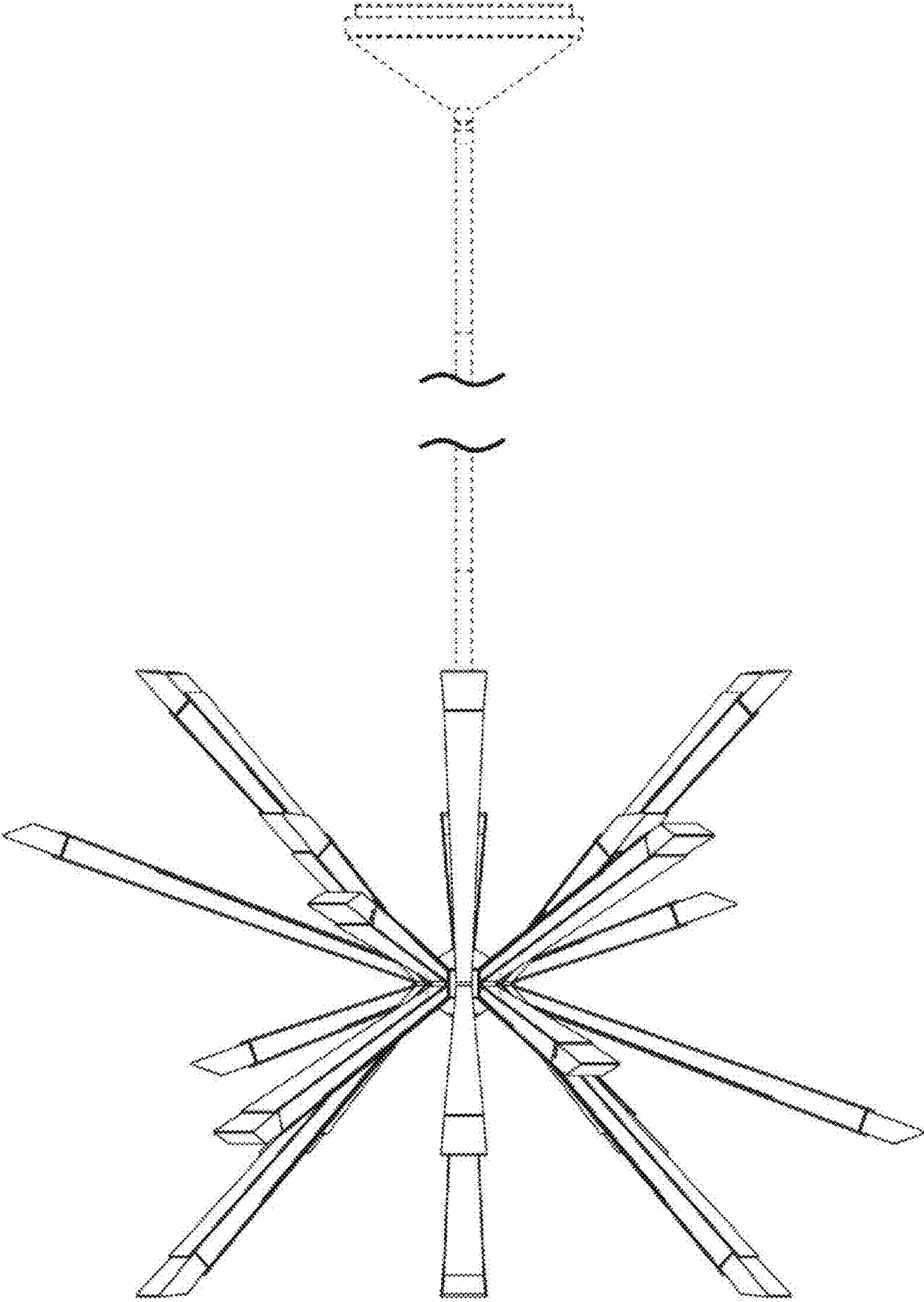


FIG. 5

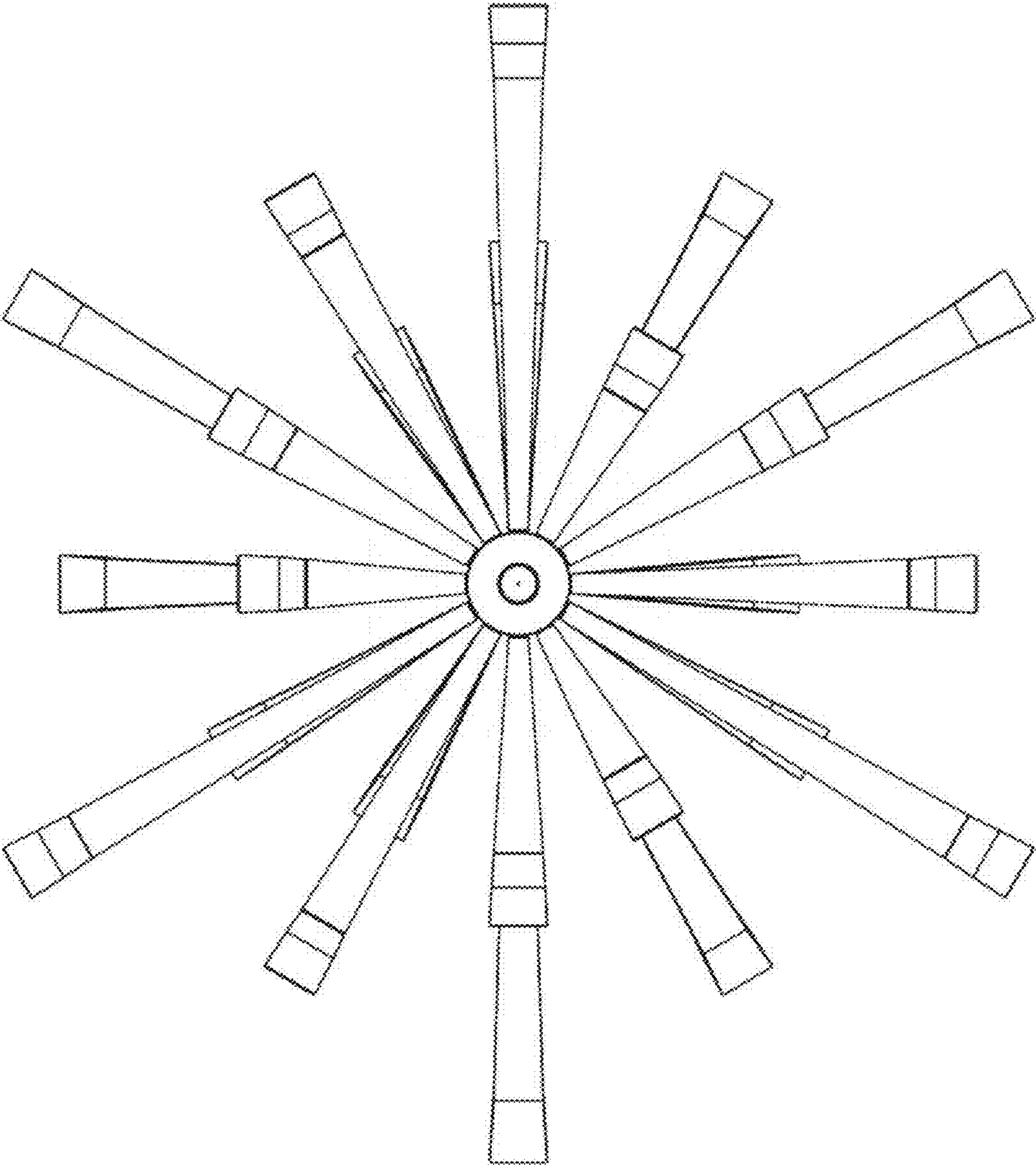


FIG. 6



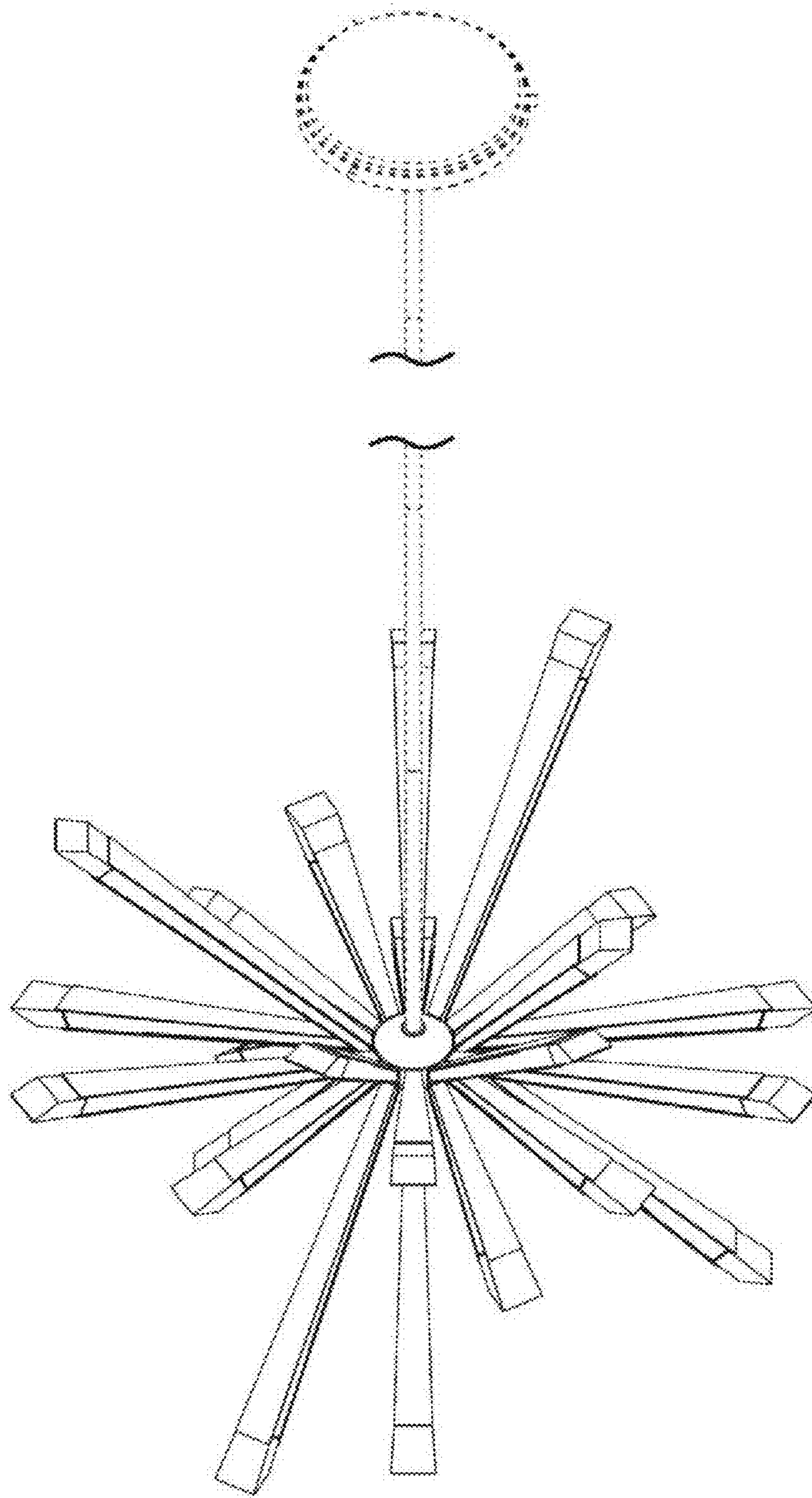


FIG. 7

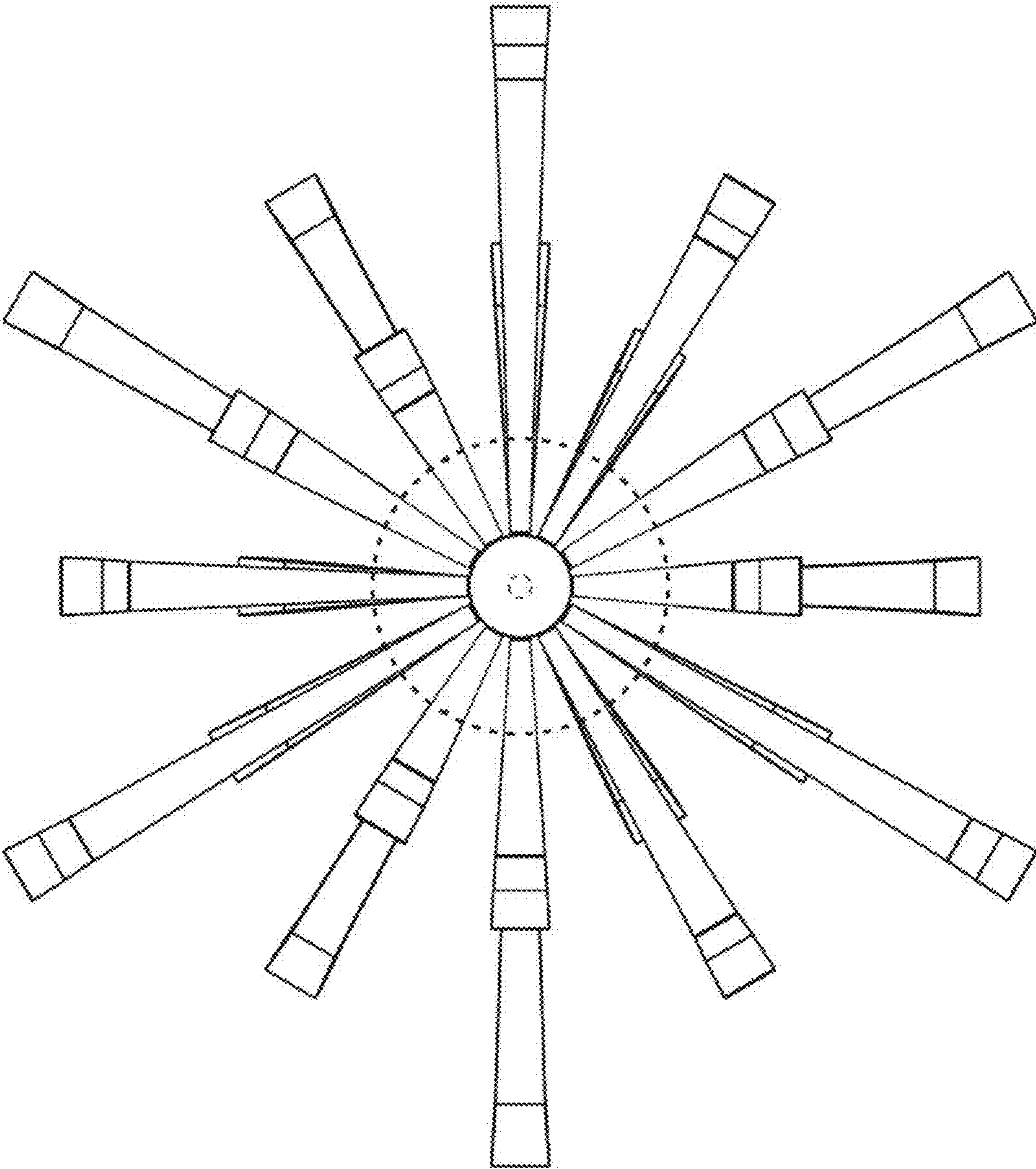


FIG. 8

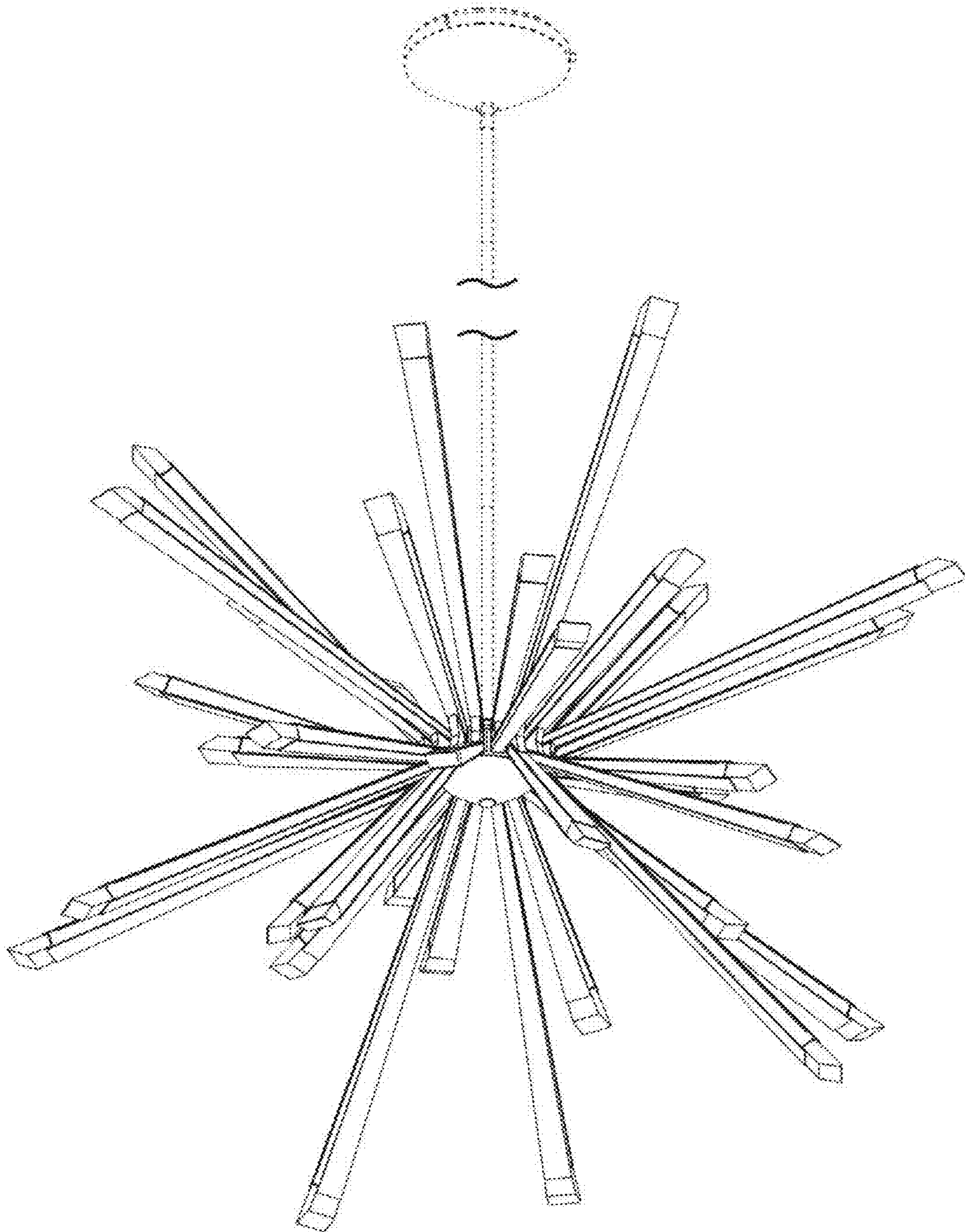


FIG. 9

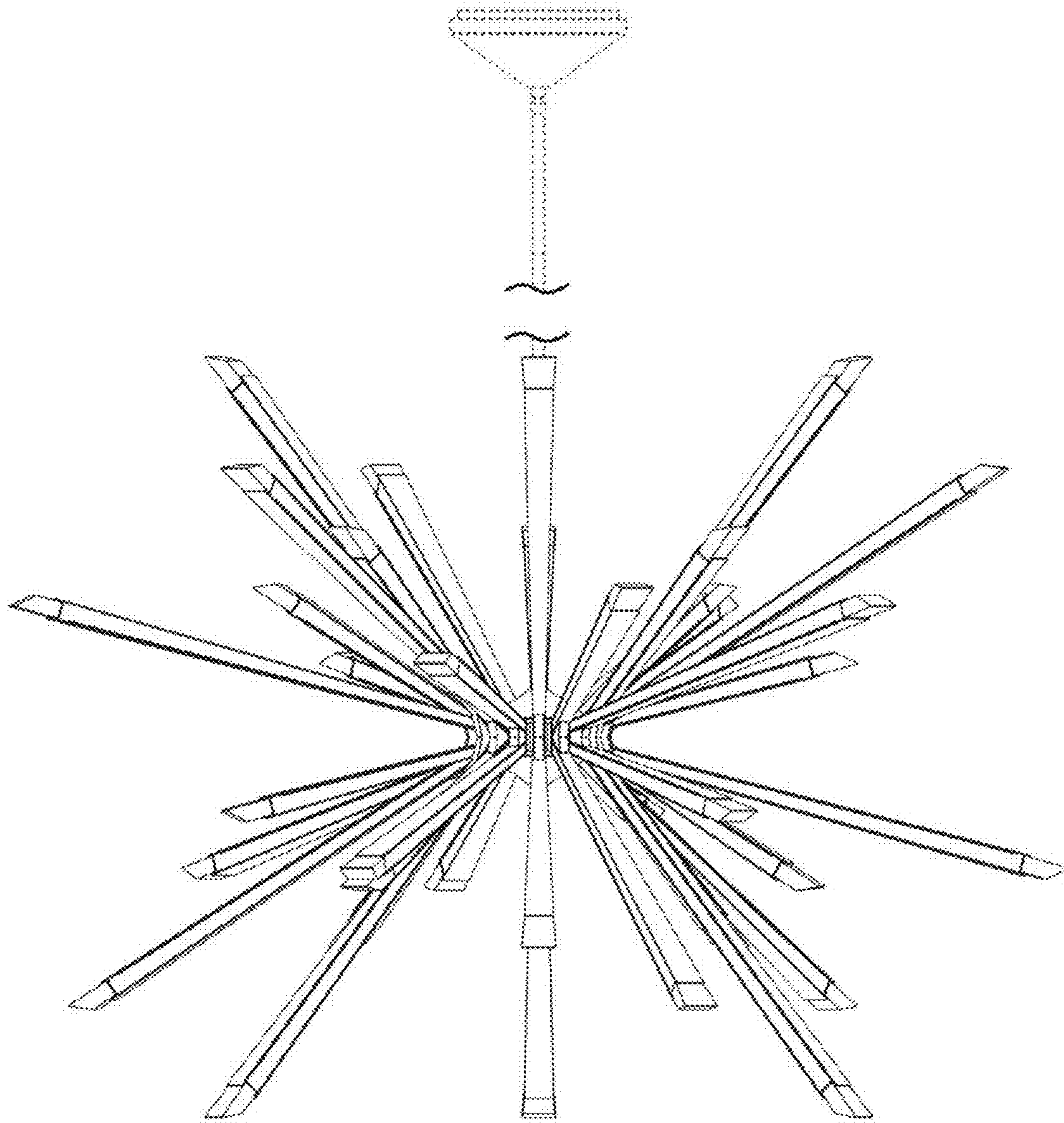


FIG. 10

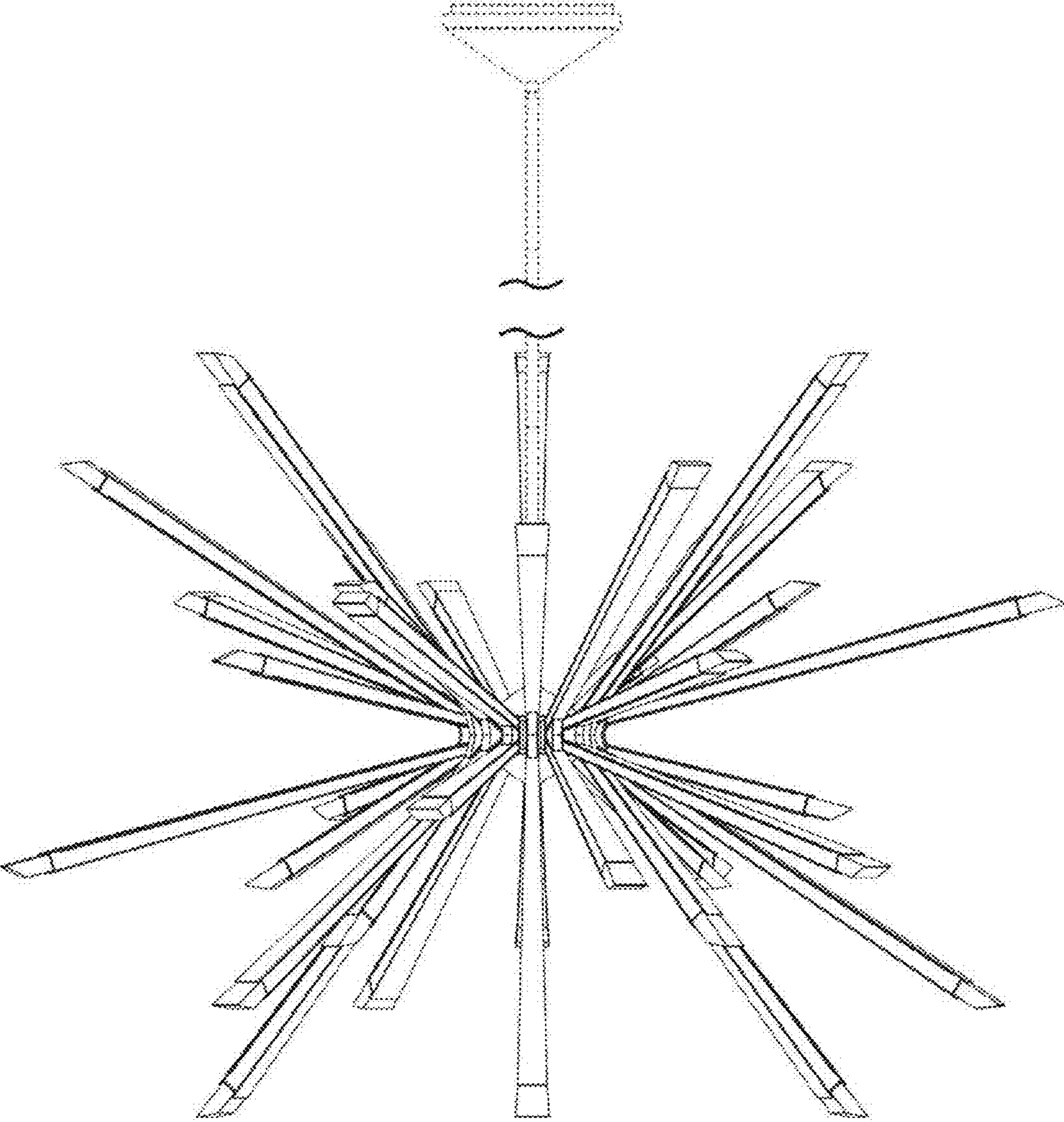


FIG. 11

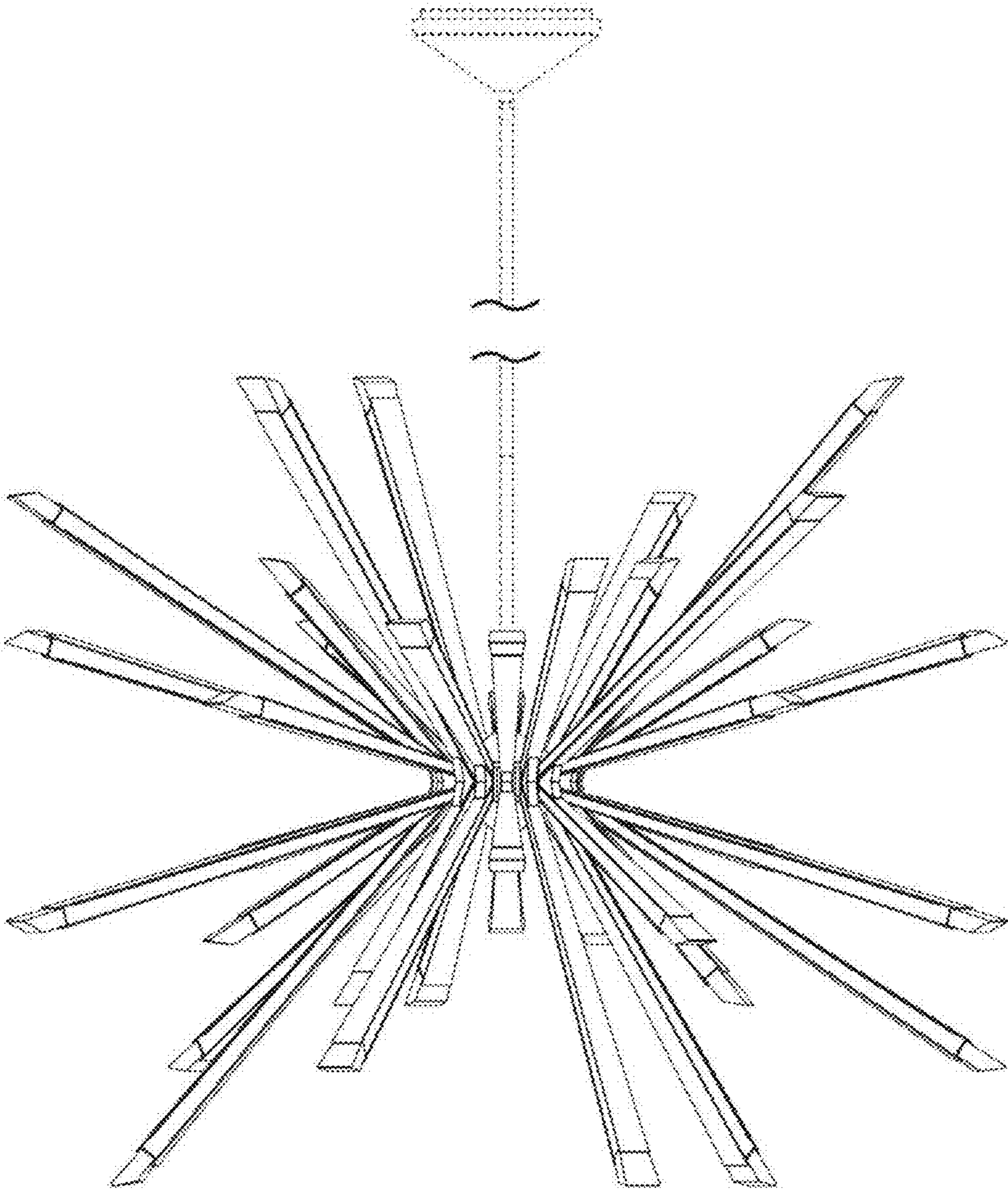


FIG. 12

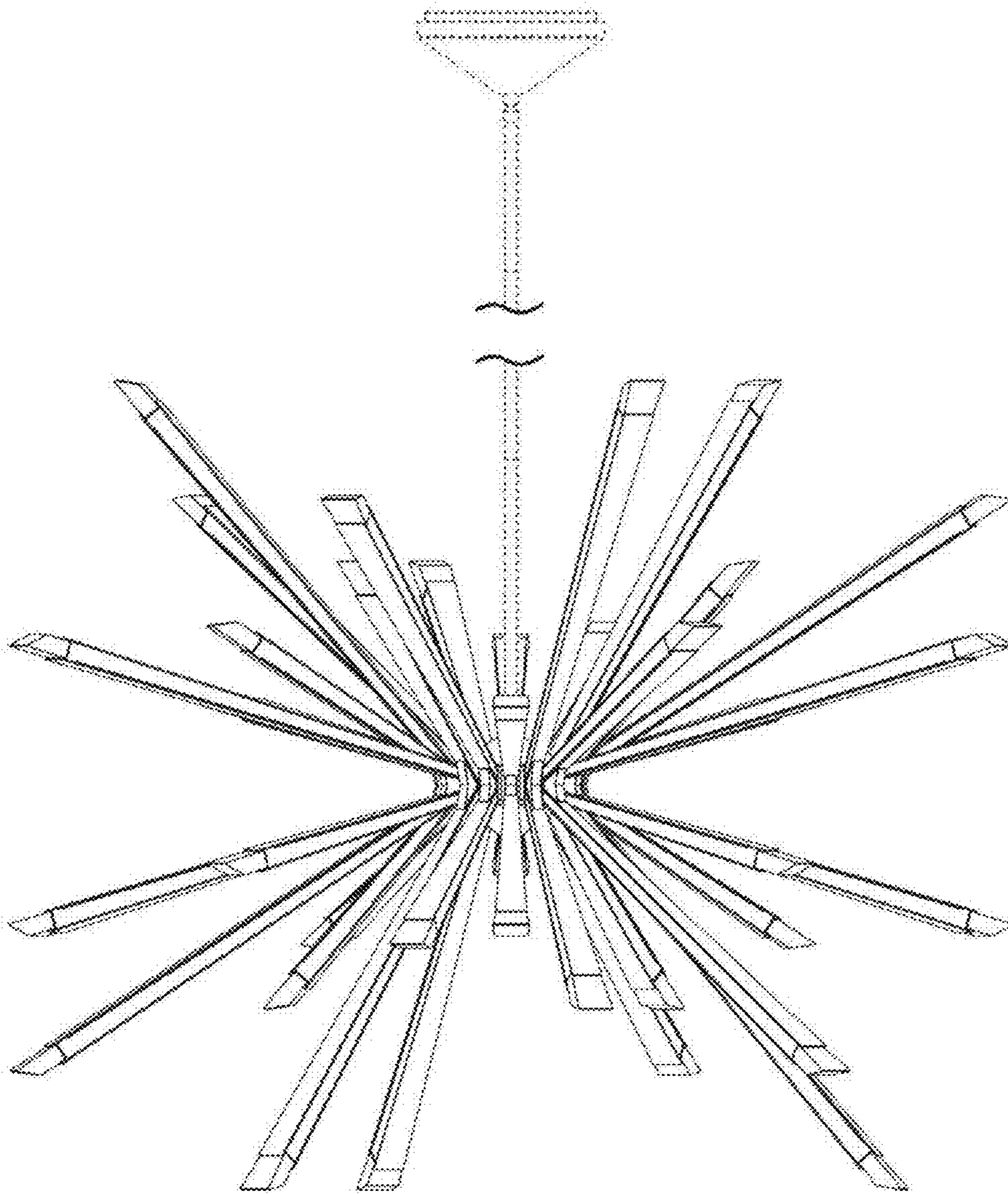


FIG. 13

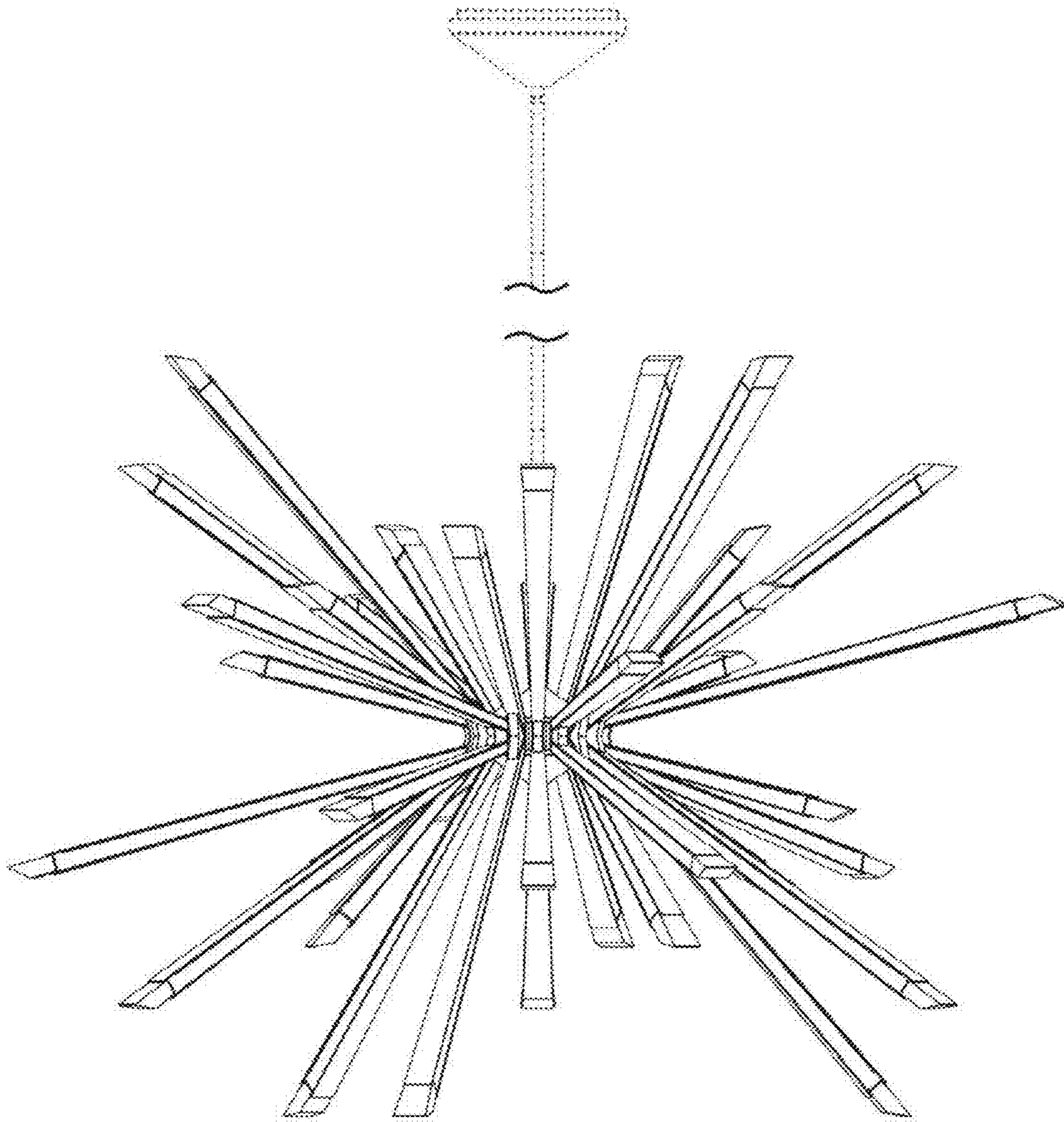


FIG. 14



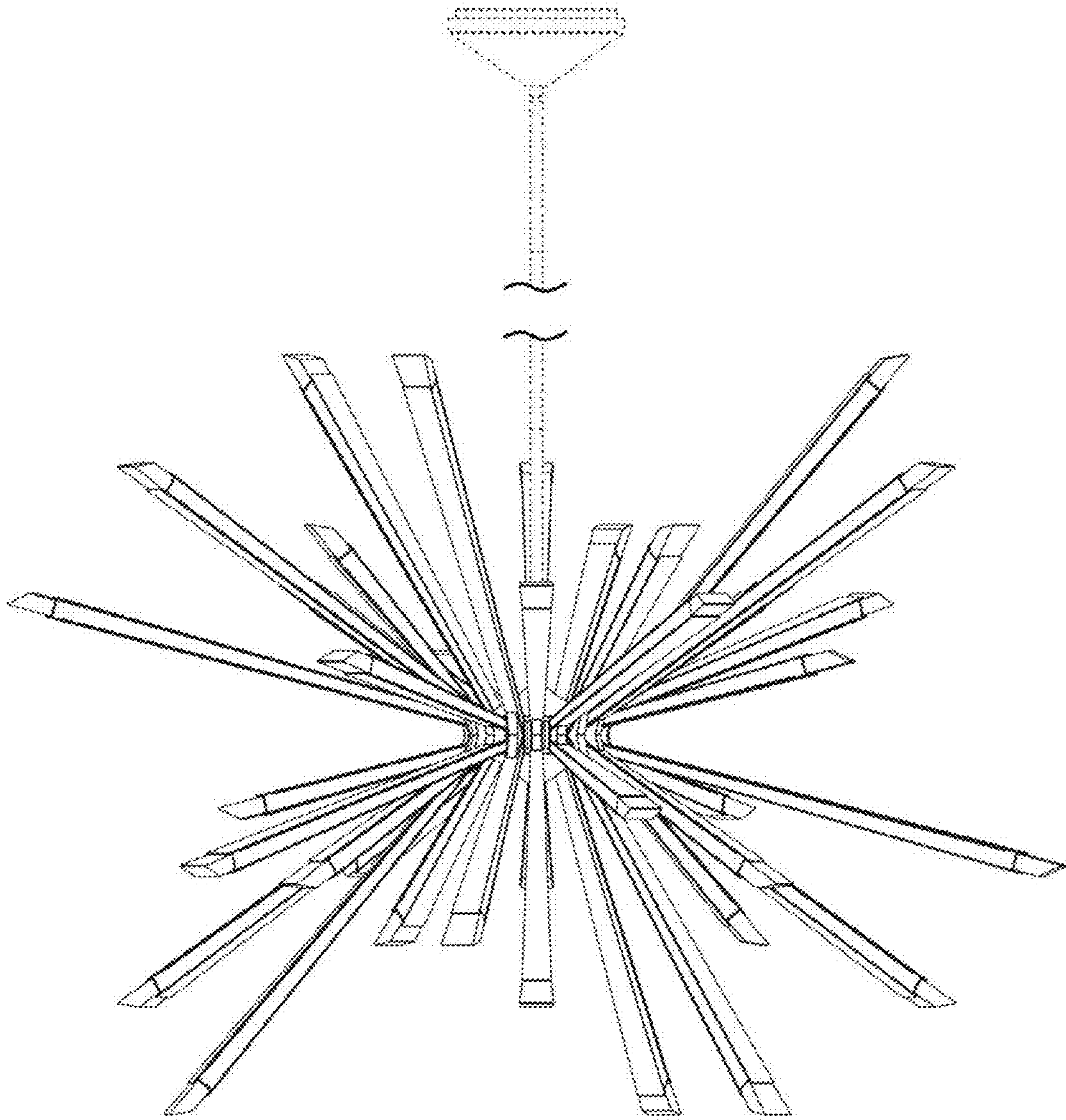


FIG. 15

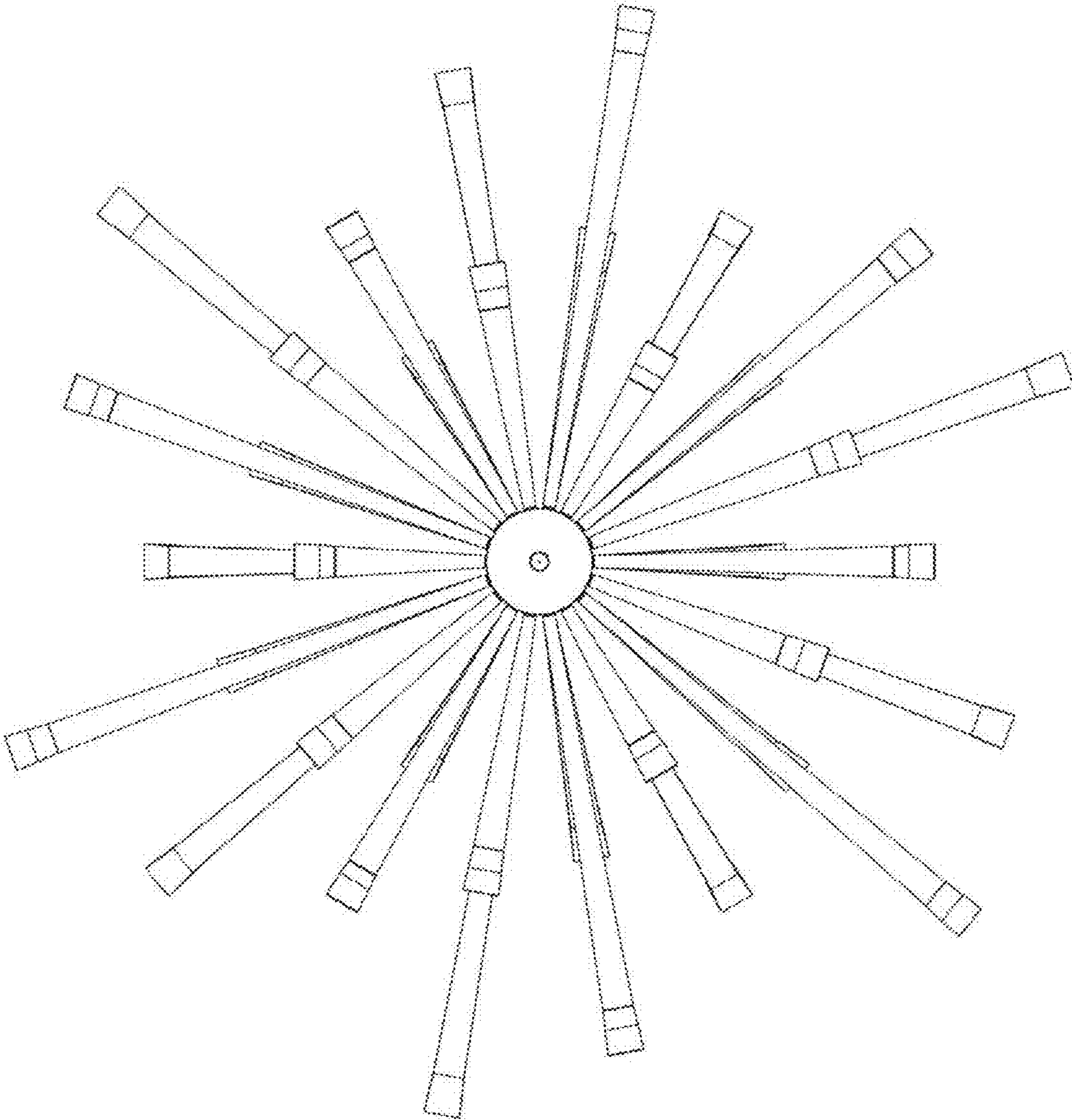


FIG. 16

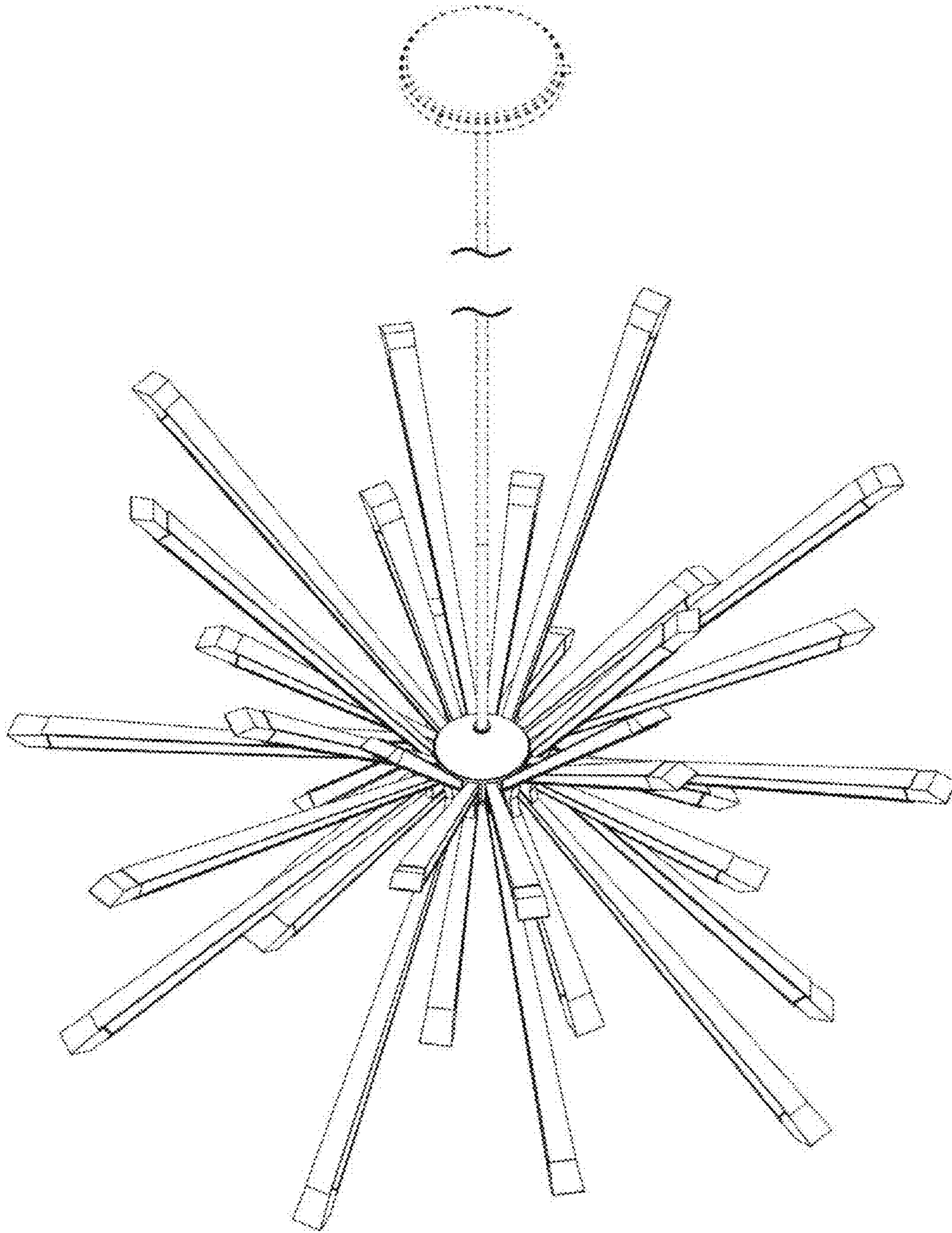


FIG. 17

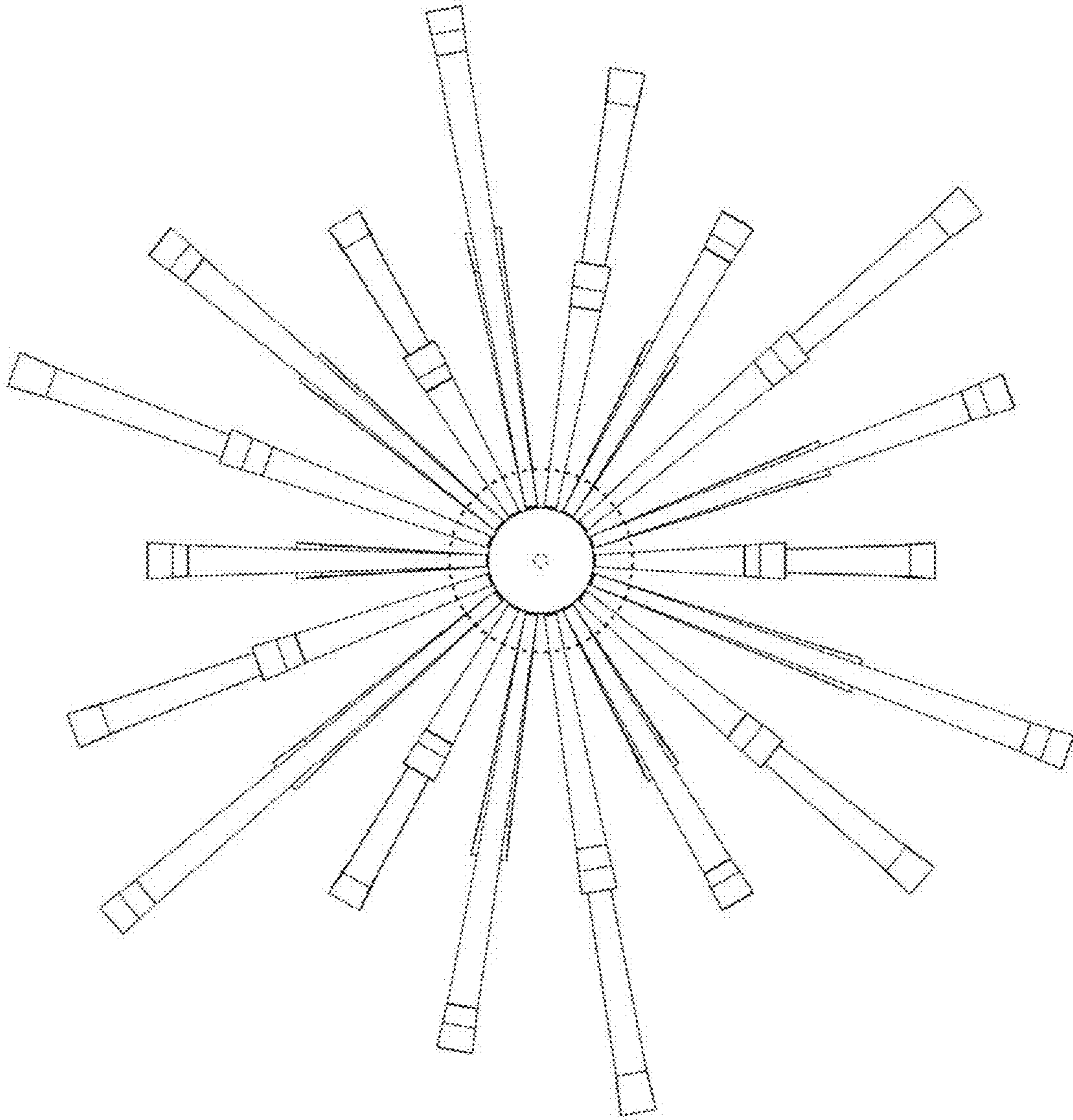


FIG. 18

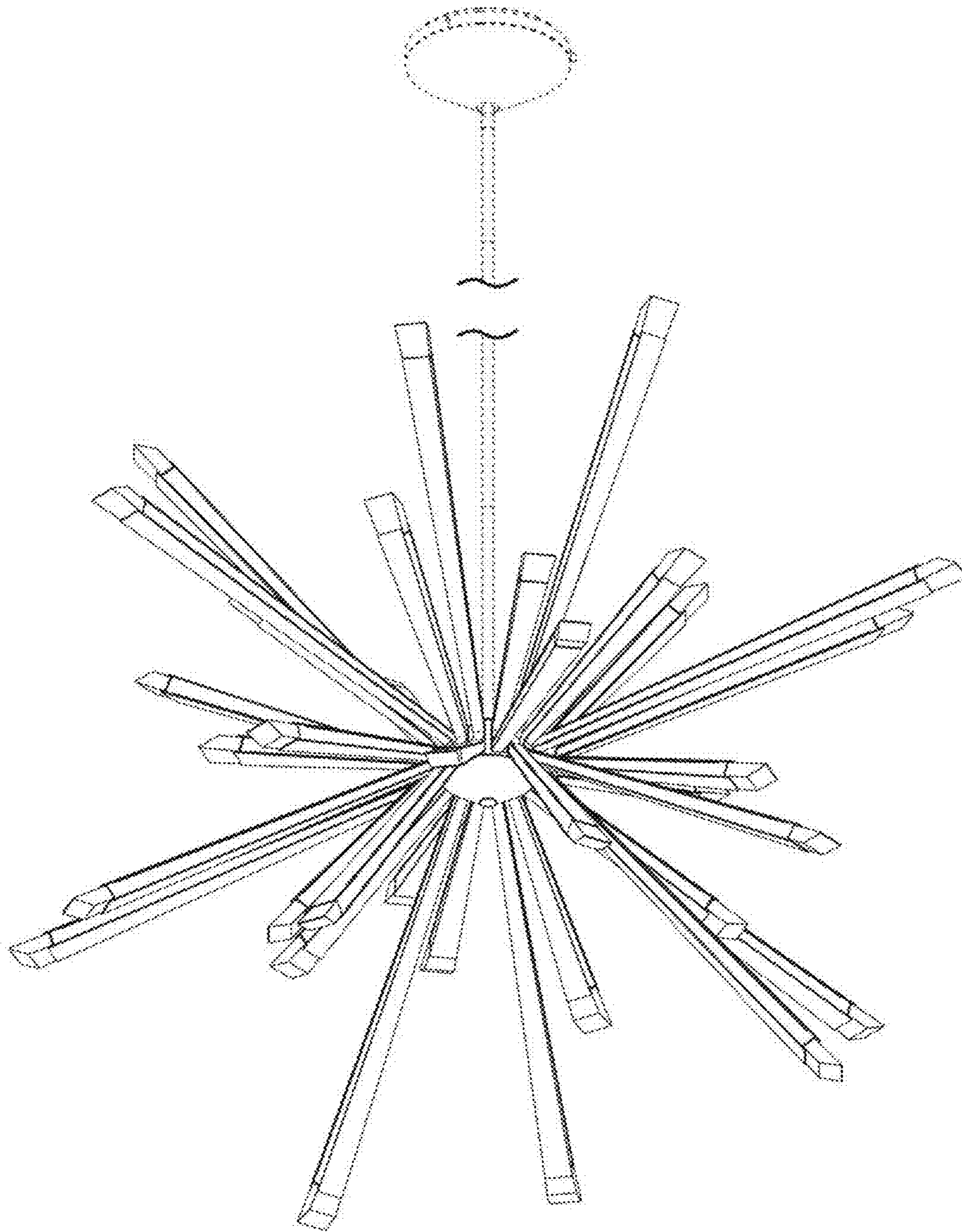


FIG. 19

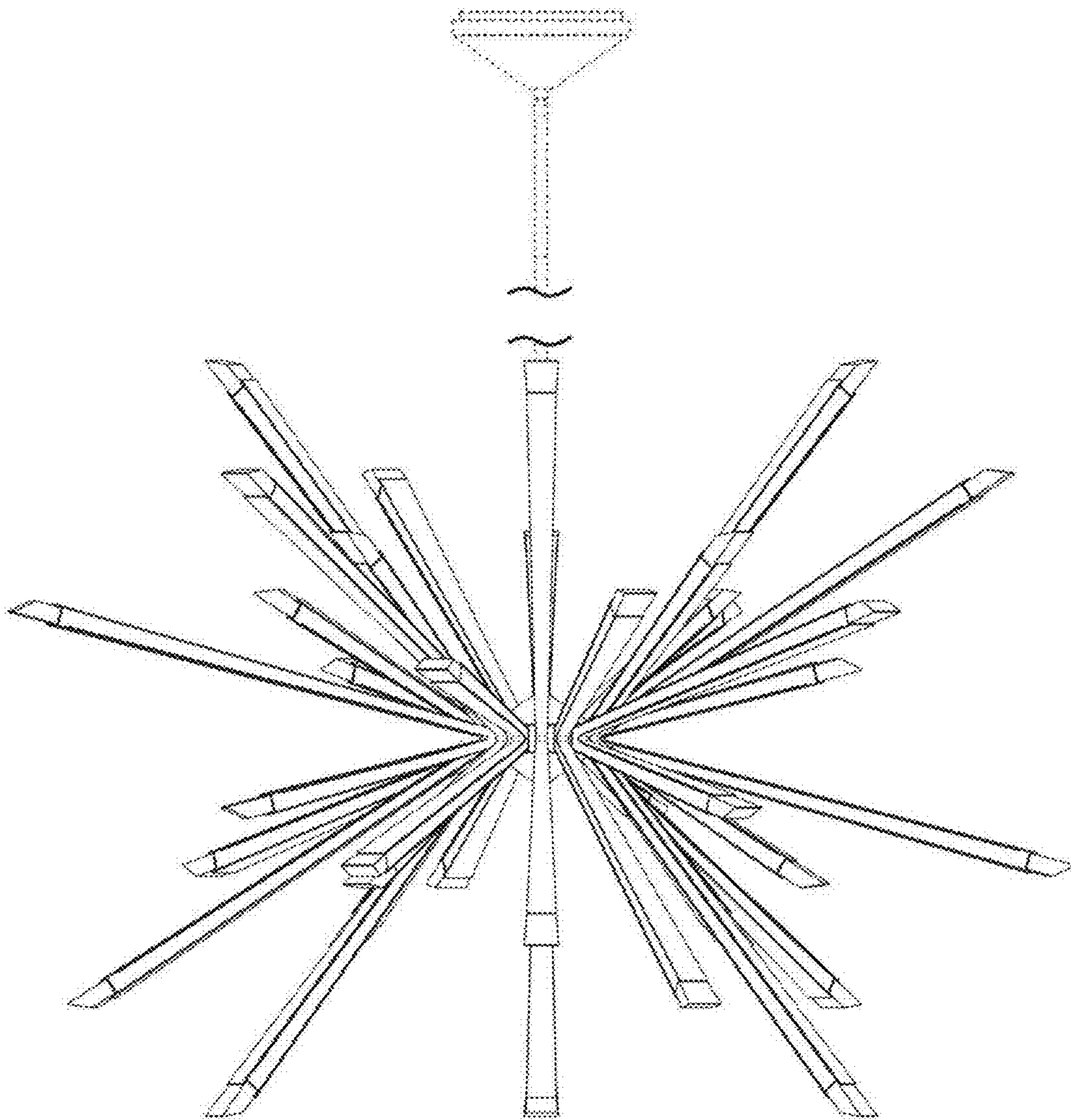


FIG. 20

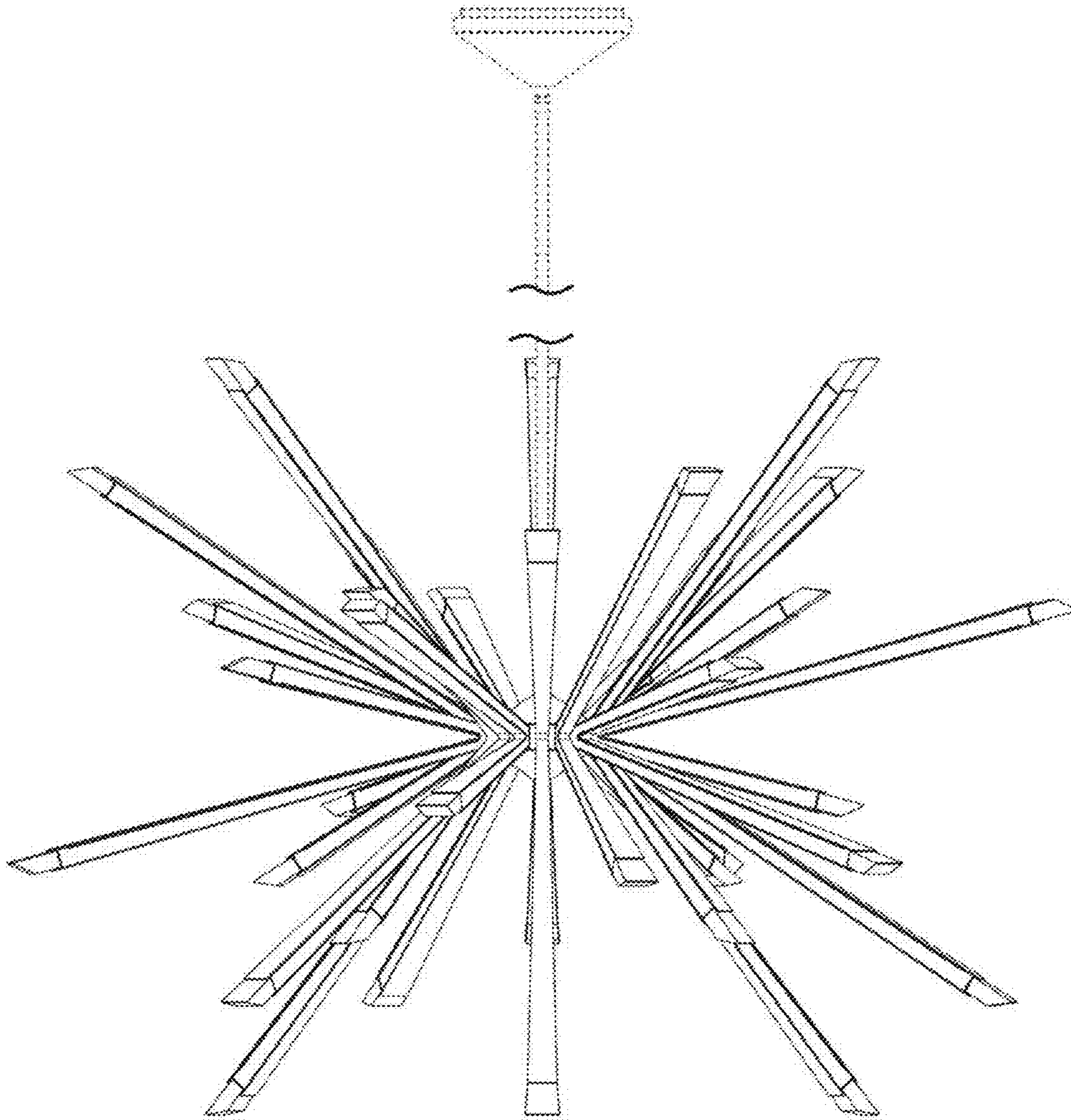


FIG. 21

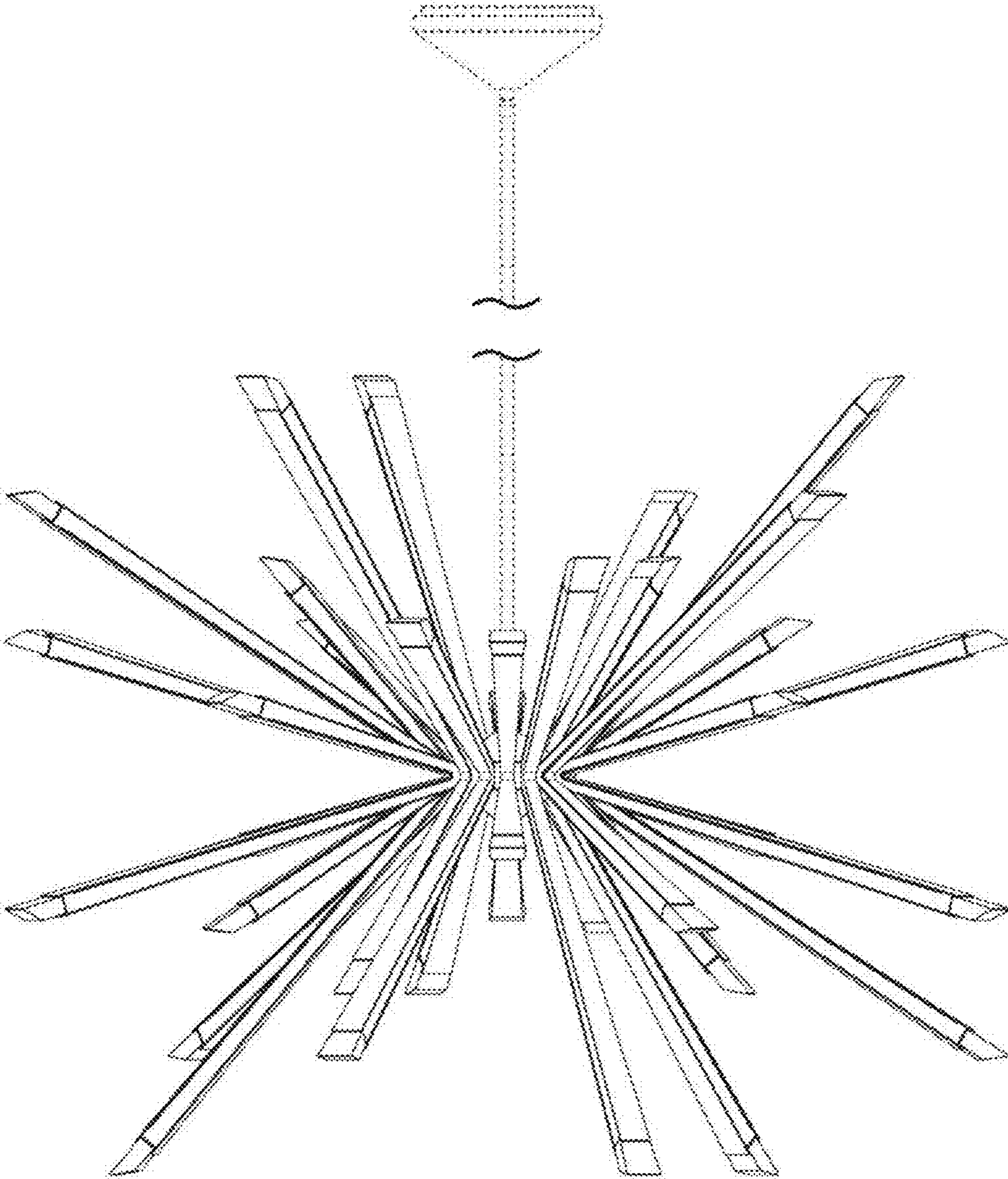


FIG. 22



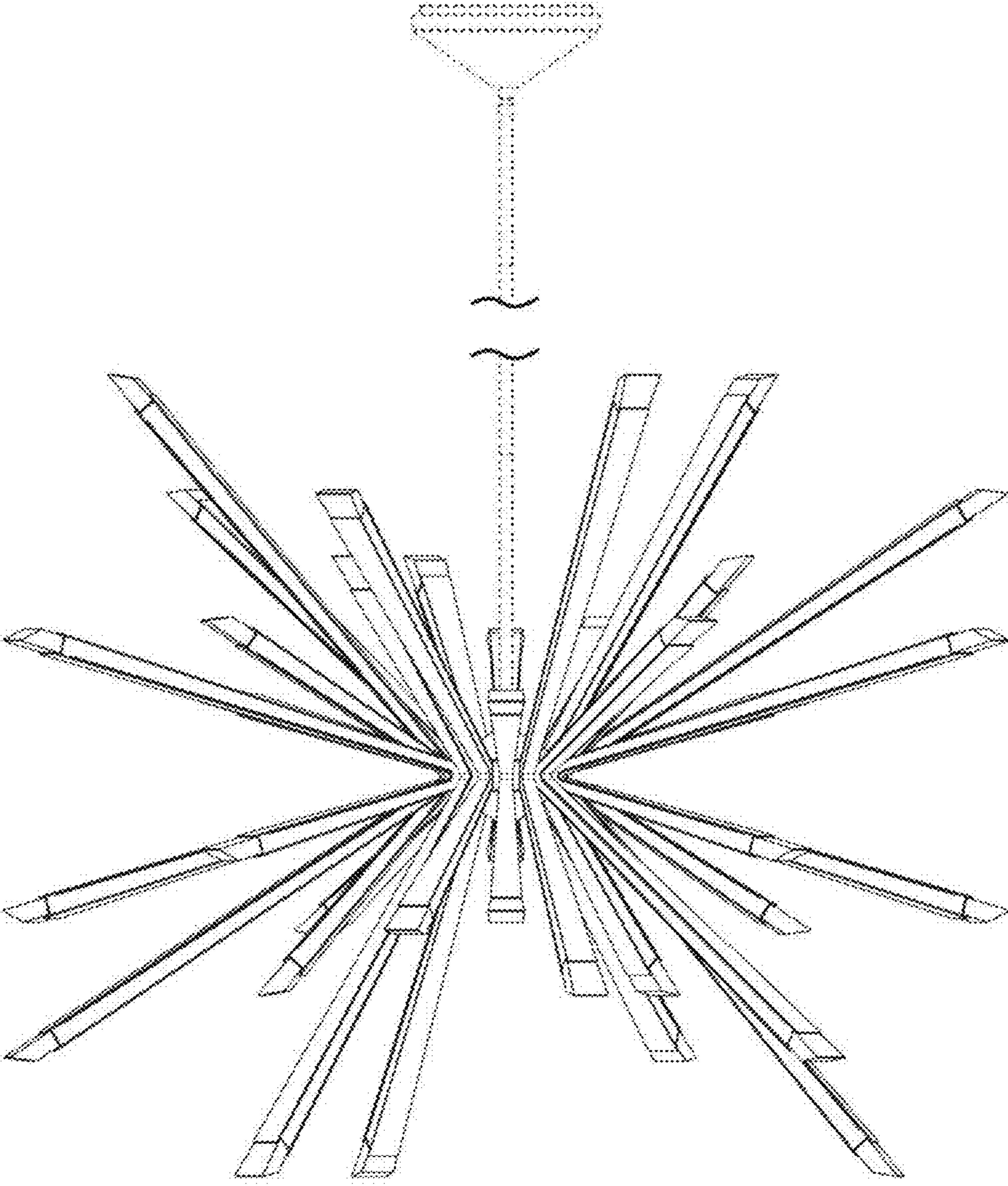


FIG.23

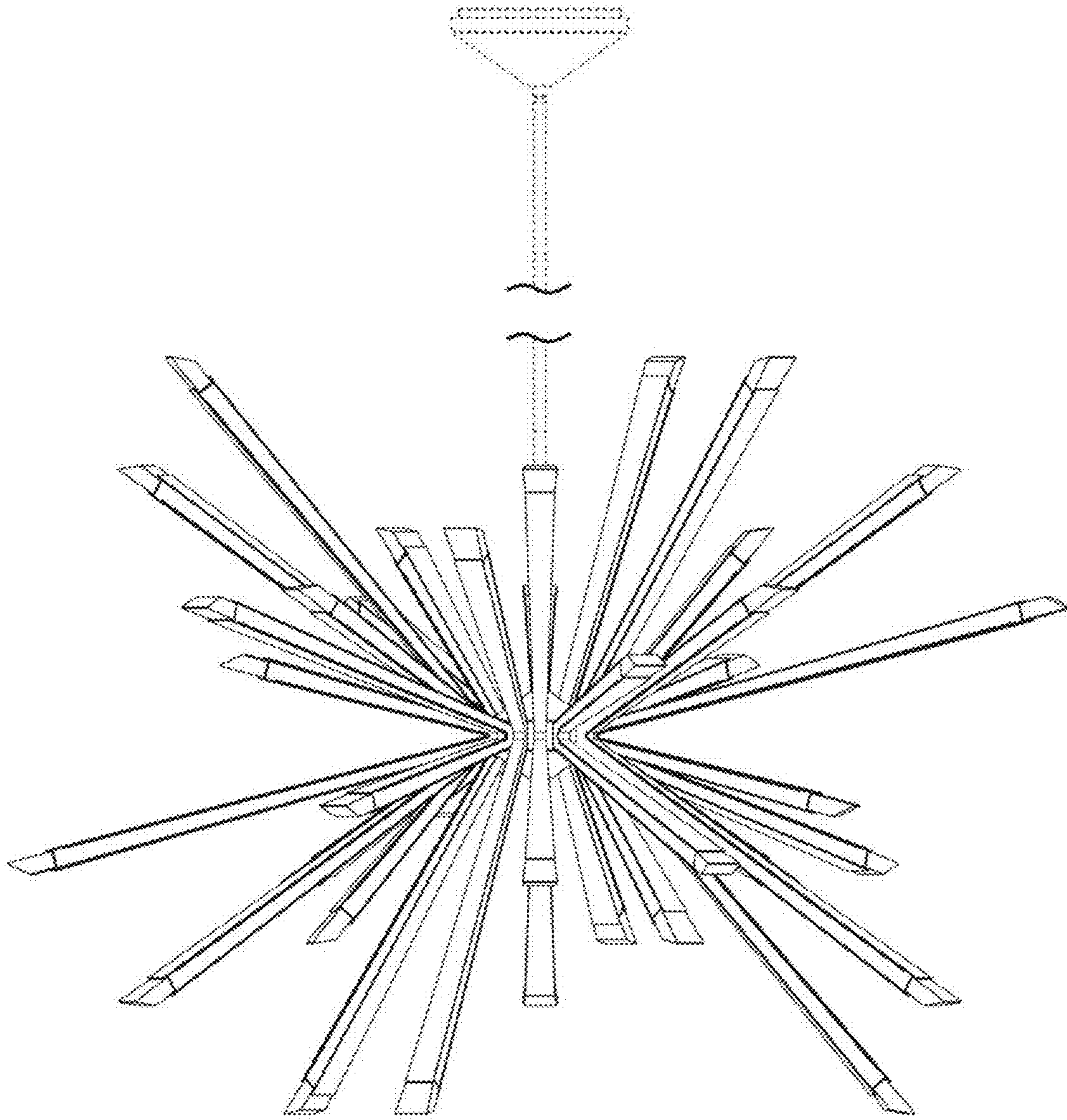


FIG.24

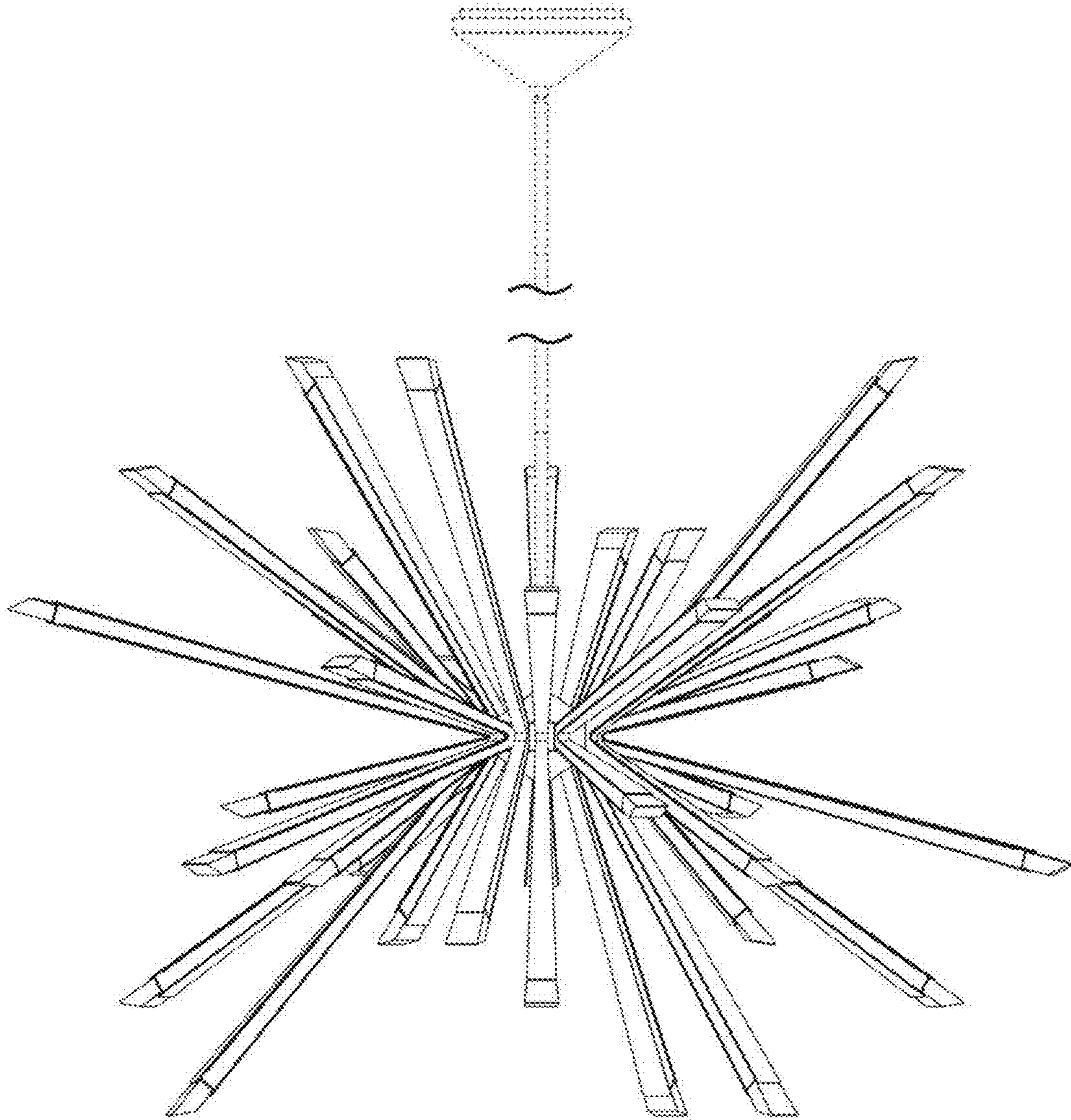


FIG. 25

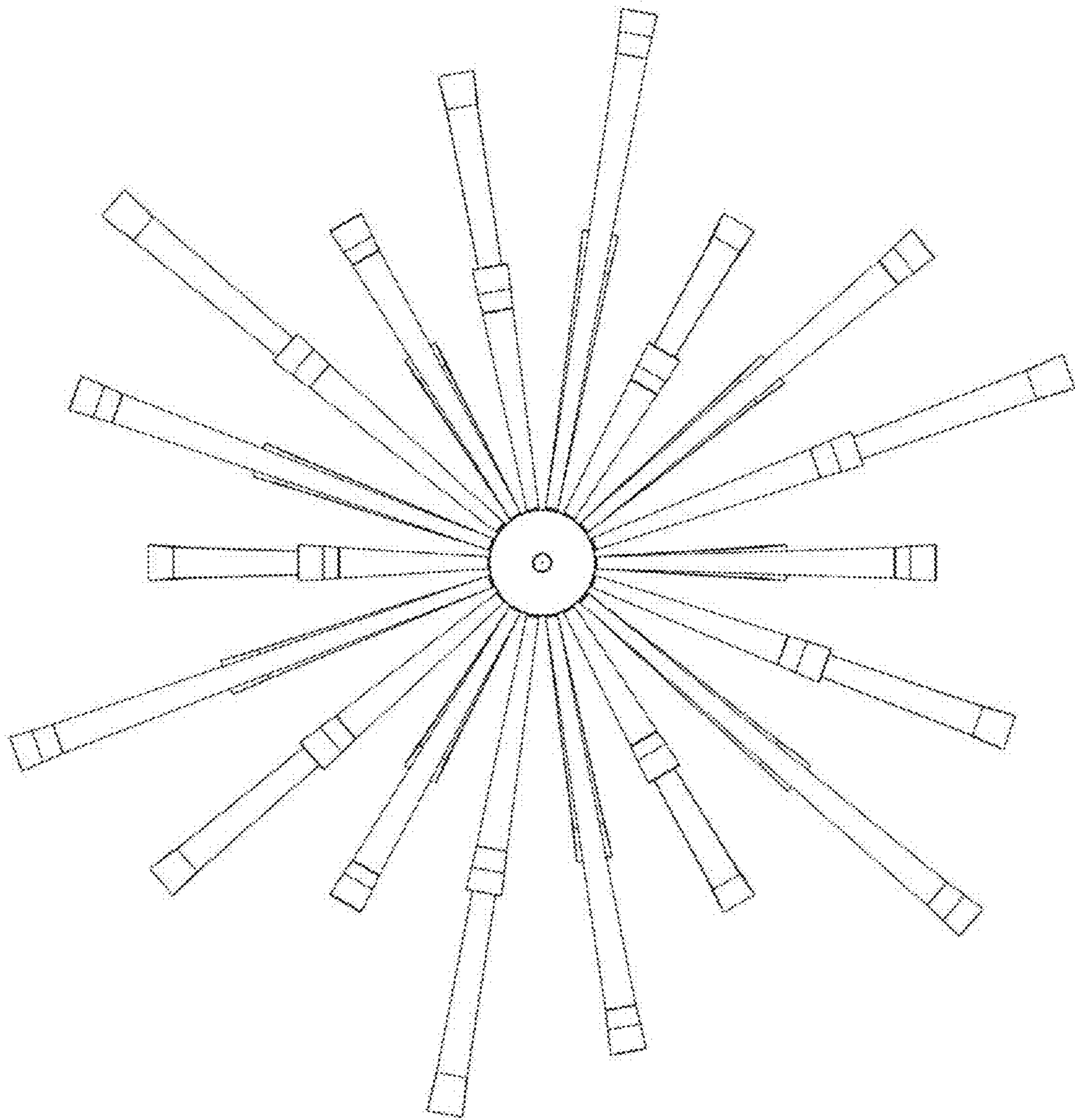


FIG. 26

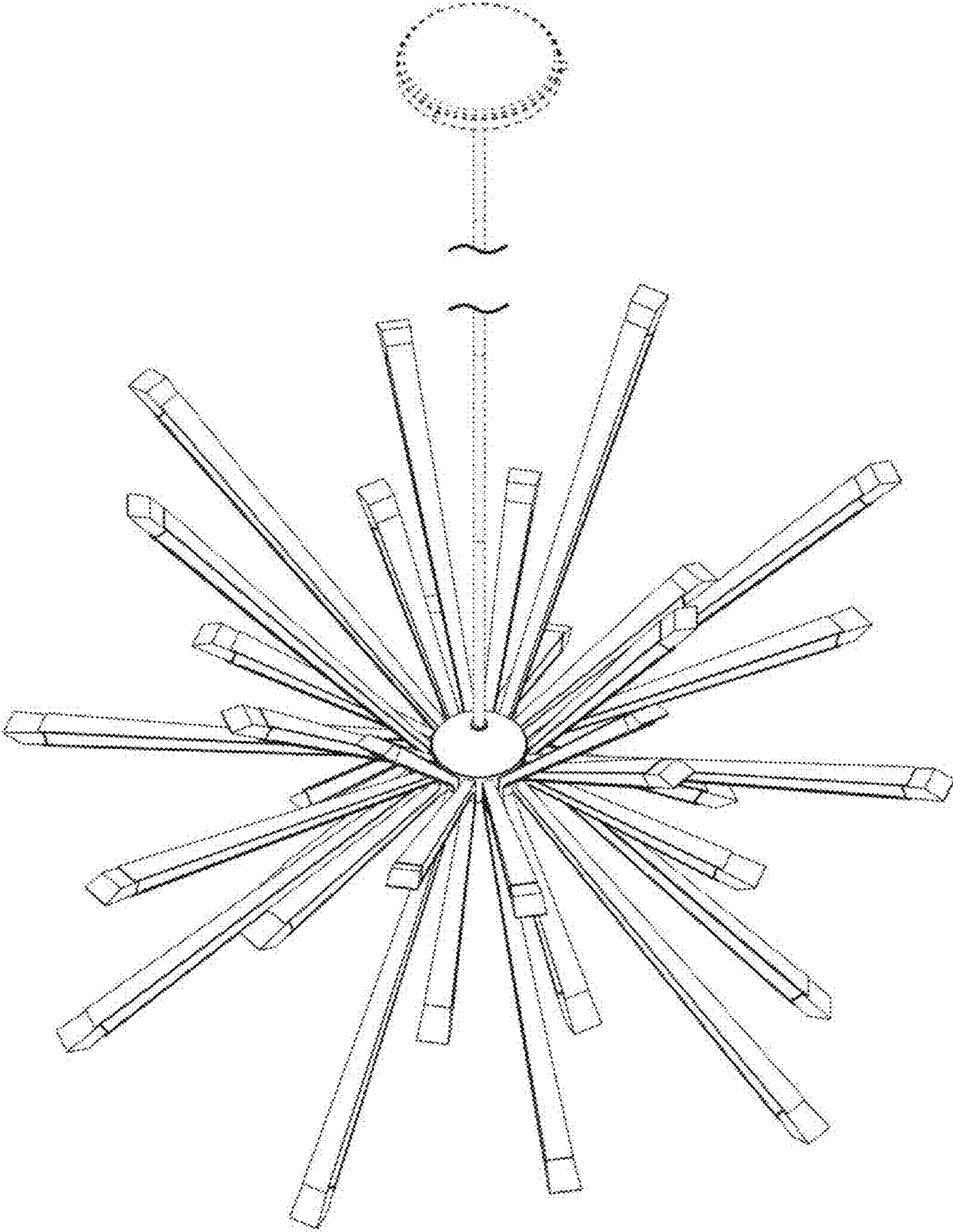


FIG. 27

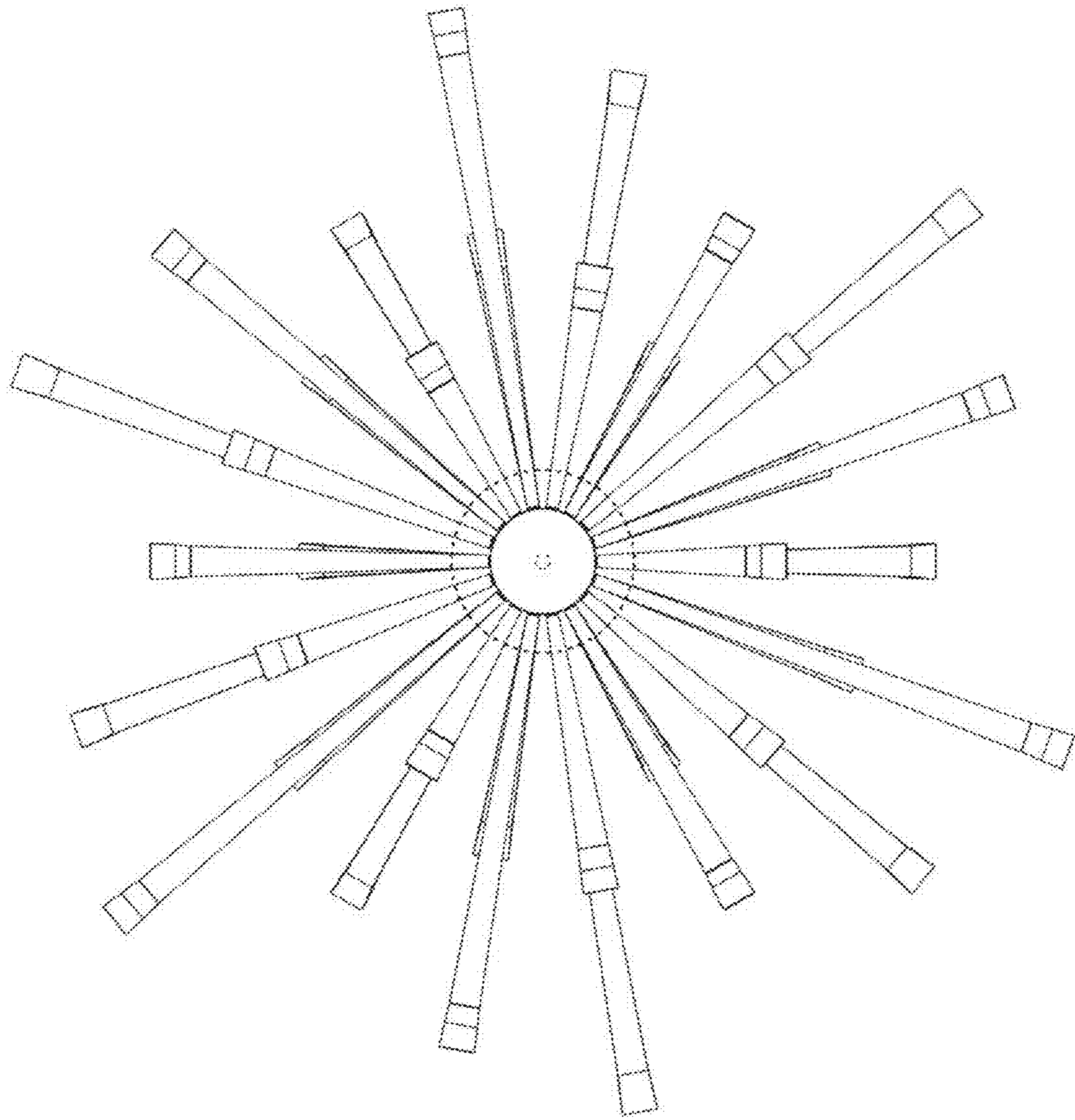


FIG. 28