



US00D731104S

(12) **United States Design Patent**
Miyake et al.

(10) **Patent No.:** **US D731,104 S**
(45) **Date of Patent:** **** Jun. 2, 2015**

(54) **LAMP**

(71) Applicant: **ARTEMIDE S.p.A.**, Milan (IT)

(72) Inventors: **Issey Miyake**, Tokyo (JP); **Sachiko Yamamoto**, Tokyo (JP); **Manabu Kikuchi**, Tokyo (JP); **Sen Kawahara**, Tokyo (JP); **Yuki Itakura**, Tokyo (JP); **Yusuke Takahashi**, Tokyo (JP); **Noritoshi Shionoya**, Tokyo (JP)

(73) Assignee: **Artemide S.p.A.**, Milan (IT)

(**) Term: **14 Years**

(21) Appl. No.: **29/495,075**

(22) Filed: **Jun. 26, 2014**

Related U.S. Application Data

(62) Division of application No. 29/437,948, filed on Nov. 21, 2012, now Pat. No. Des. 708,383.

Foreign Application Priority Data

May 23, 2012 (EM) 002046243

(51) **LOC (10) Cl.** **26-03**

(52) **U.S. Cl.**
USPC **D26/88**

(58) **Field of Classification Search**
USPC D26/72, 73, 80-91, 118, 127-137;
362/147, 404-408, 351, 360, 361
CPC F21W 2121/00; F21S 8/00; F21S 4/00
See application file for complete search history.

(56) **References Cited**

U.S. PATENT DOCUMENTS

D76,437	S	*	9/1928	Genachte	D26/130
D80,827	S	*	4/1930	Beyer	D26/130
1,868,692	A	*	7/1932	Bruckmann	362/357
D95,521	S	*	5/1935	Laxer	D26/136
D96,921	S	*	9/1935	Laxer	D26/136
D176,921	S	*	2/1956	Koepke	D26/130
3,895,229	A	*	7/1975	Strom	362/351
D237,003	S	*	9/1975	Jahandideh	D26/130
D257,643	S	*	12/1980	Zurcher	D26/85
D274,475	S	*	6/1984	Caldwell	D26/110
D563,589	S	*	3/2008	Hariri et al.	D26/88
D575,894	S	*	8/2008	Lissoni	D26/88
D633,643	S	*	3/2011	De Lucchi	D26/88
D636,114	S	*	4/2011	De Lucchi	D26/128
D638,570	S	*	5/2011	Verelst	D26/91
D638,982	S	*	5/2011	Friedman	D26/118
D670,854	S	*	11/2012	Yang	D26/118
D697,662	S	*	1/2014	Patterson	D26/88
D708,383	S	*	7/2014	Miyake et al.	D26/88

* cited by examiner

Primary Examiner — Clare E Heflin

(74) *Attorney, Agent, or Firm* — Venable LLP; Robert Kinberg

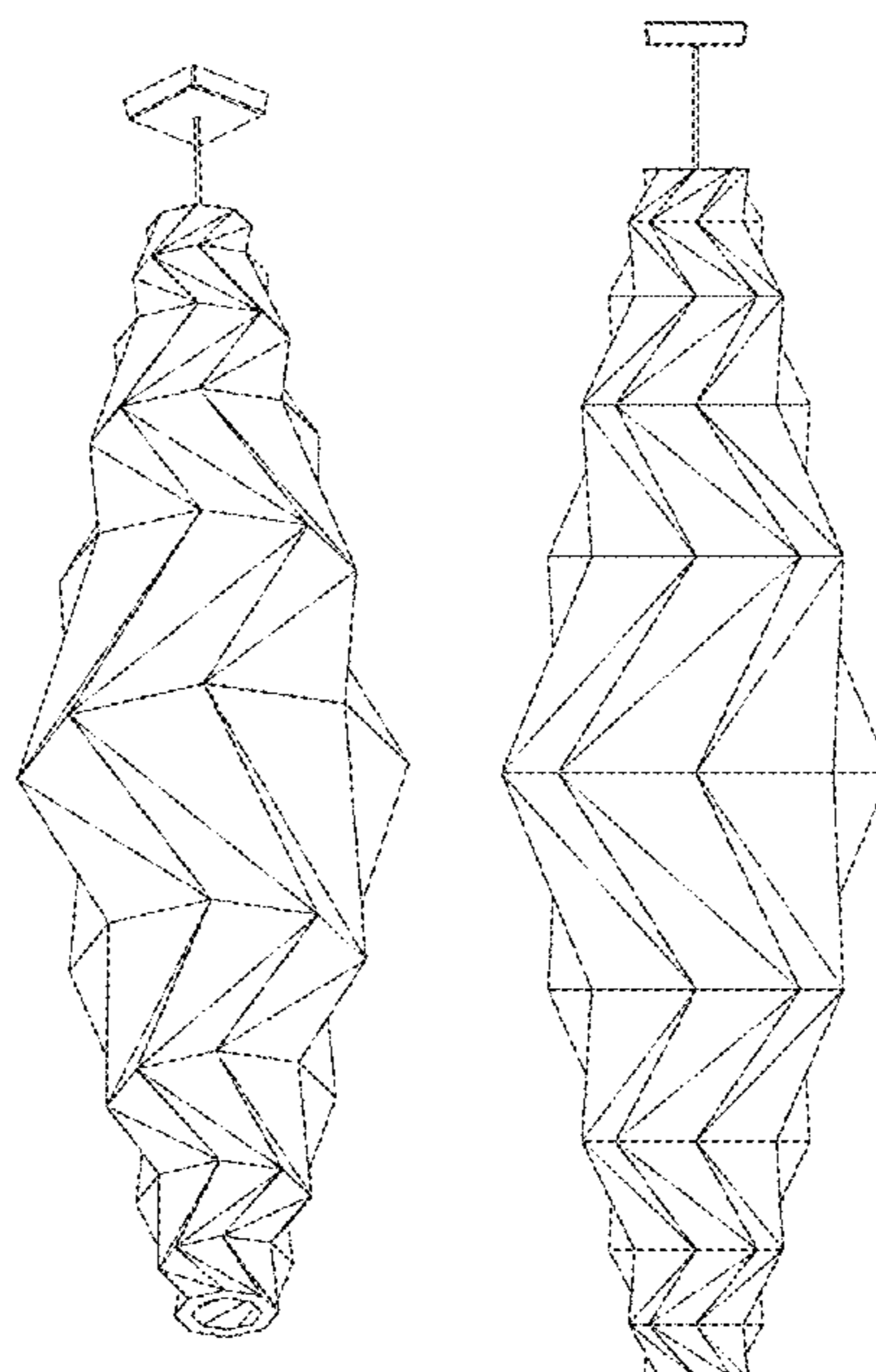
(57) **CLAIM**

We claim the ornamental designs for a lamp, as shown and described.

DESCRIPTION

FIG. 1 is a perspective view of a lamp, according to the invention;
FIG. 2 is a left side view of a lamp, according to FIG. 1;
FIG. 3 is a front view of a lamp, according to FIG. 2;
FIG. 4 is a right side view of a lamp, according to FIG. 2;
FIG. 5 is a rear view of a lamp, according to FIG. 2;
FIG. 6 is a bottom view of a lamp, according to FIG. 2; and,
FIG. 7 is a top view of a lamp, according to FIG. 2.

1 Claim, 7 Drawing Sheets



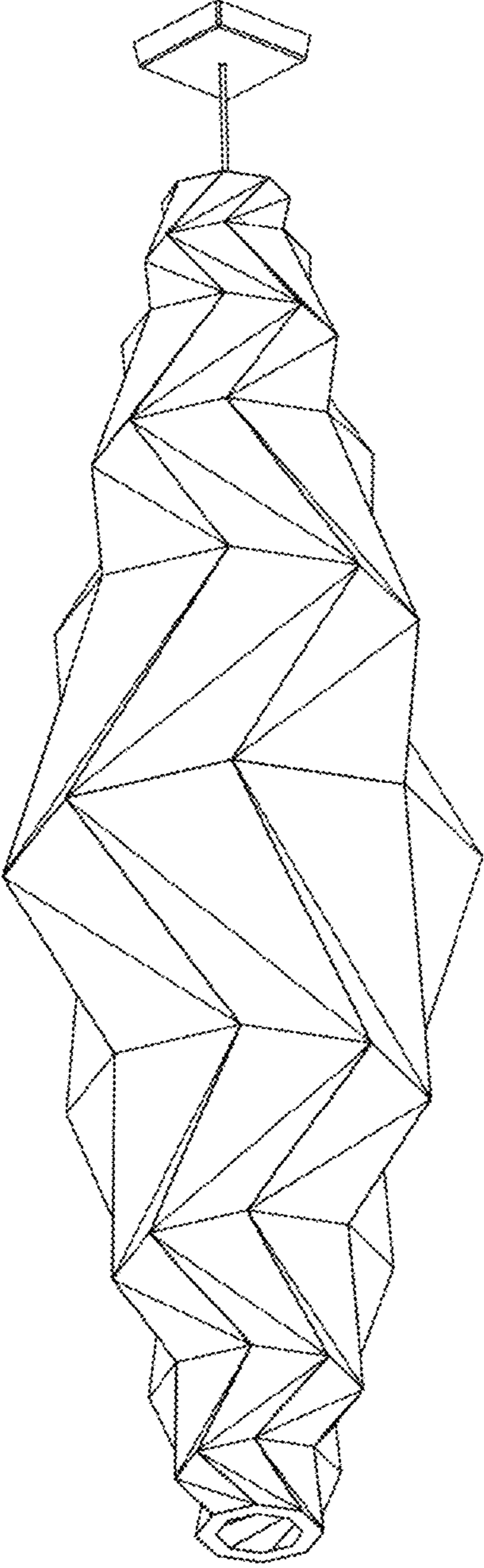


FIG. 1

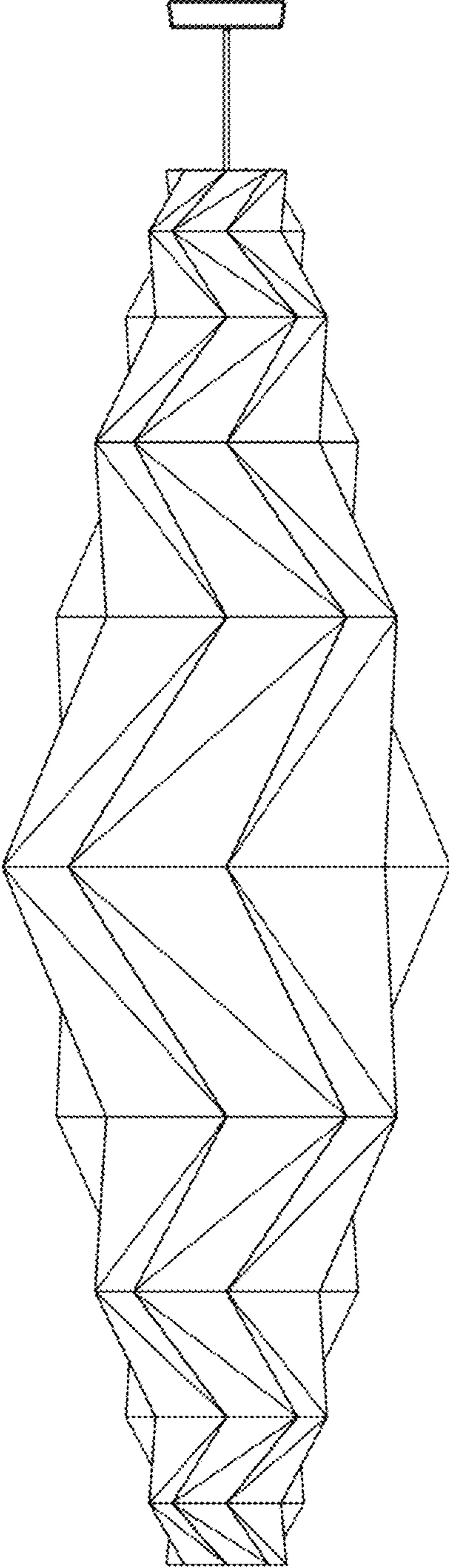


FIG. 2

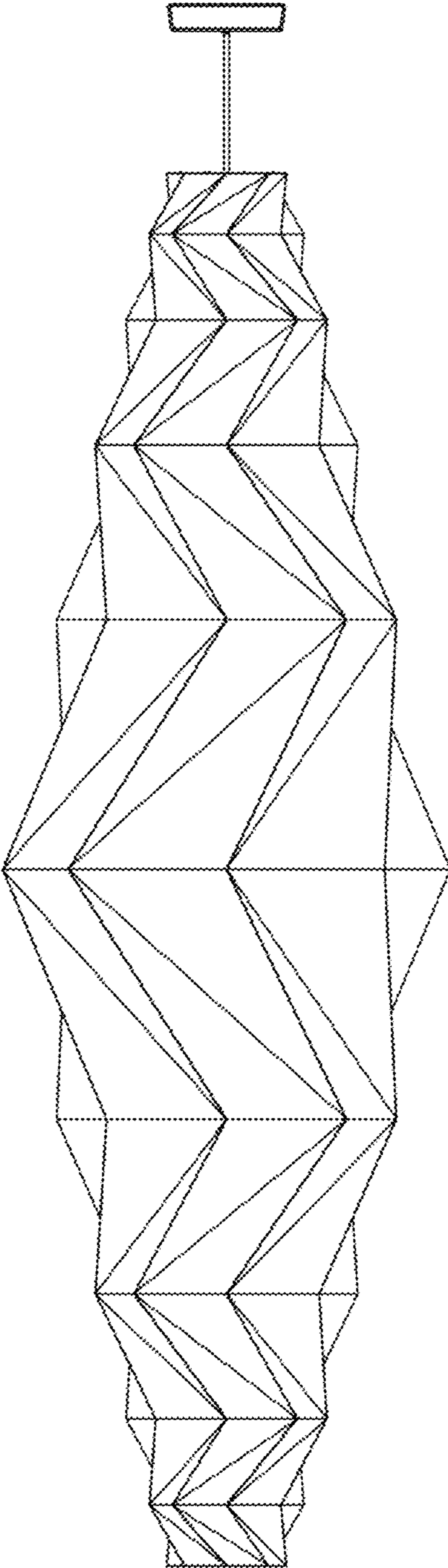


FIG. 3

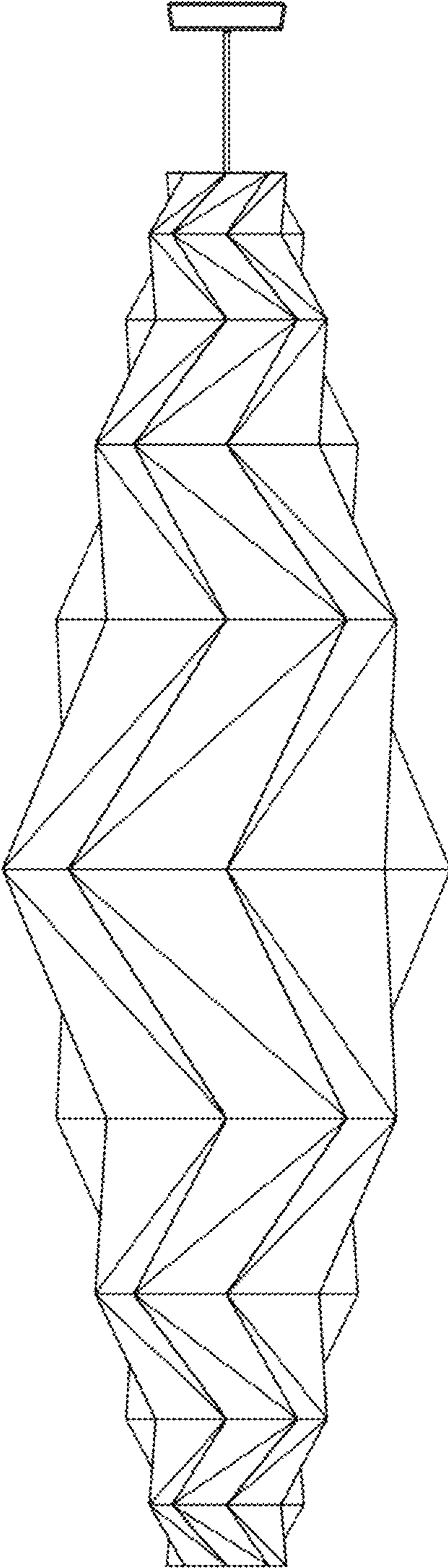


FIG. 4

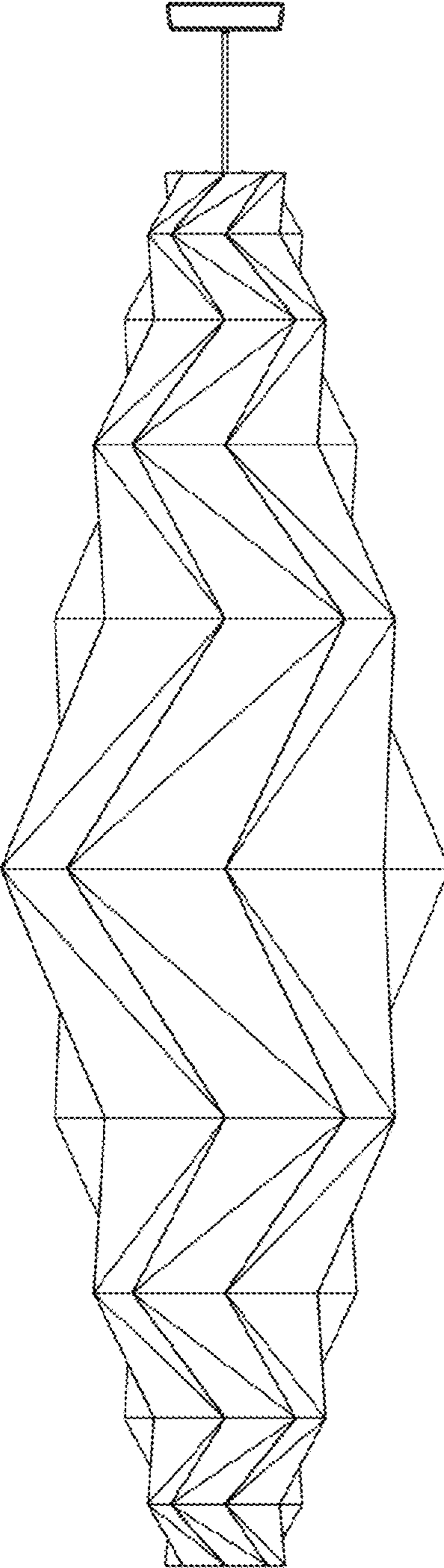


FIG. 5

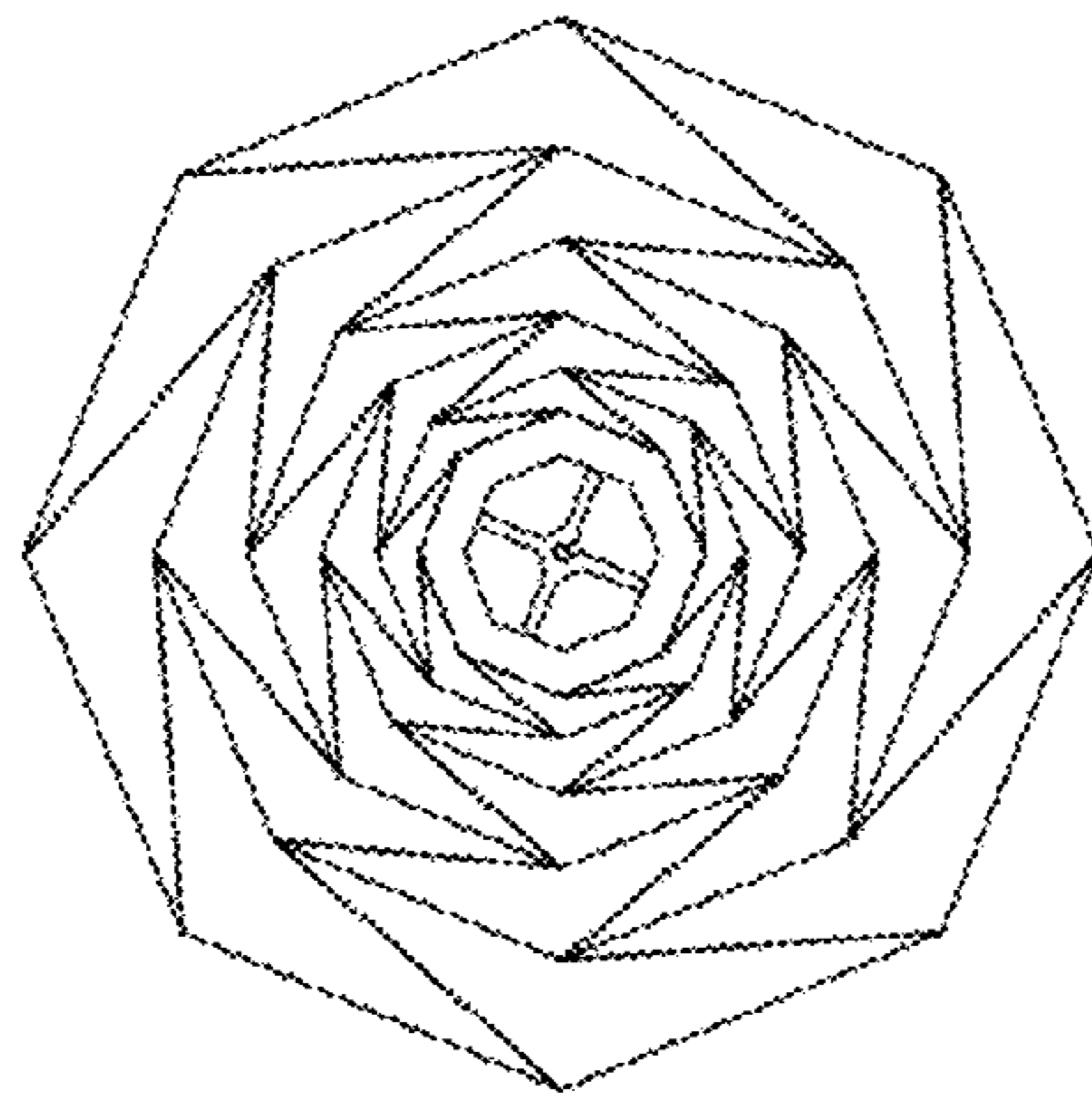


FIG. 6

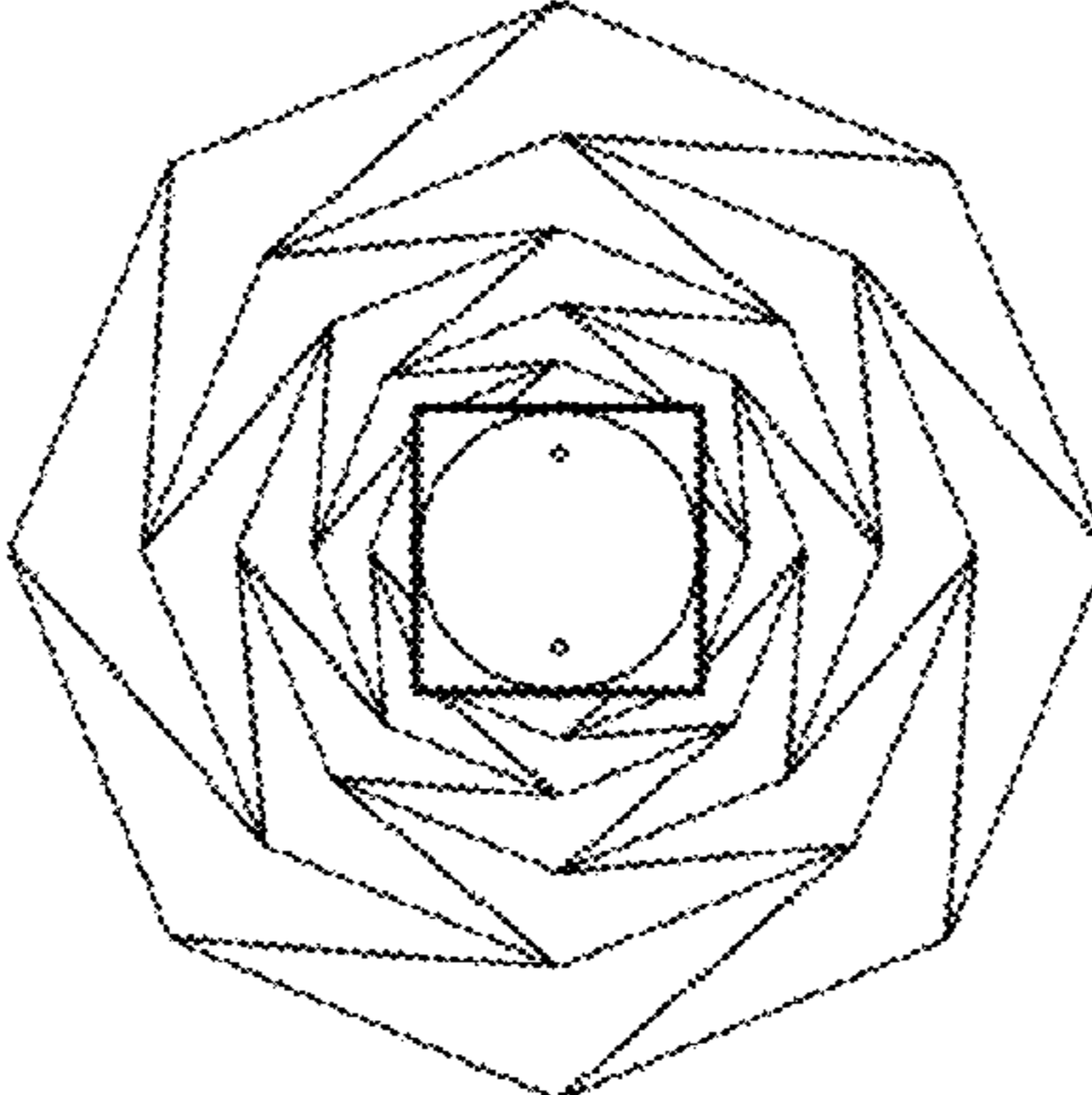


FIG. 7