



US00D731102S

(12) **United States Design Patent**  
**Zemel et al.**

(10) **Patent No.:** **US D731,102 S**  
(45) **Date of Patent:** **\*\* Jun. 2, 2015**

(54) **GRILL LIGHT**

(71) Applicant: **BLUE RHINO GLOBAL SOURCING, INC.**, Liberty, MO (US)

(72) Inventors: **Marc Zemel**, Old Bethpage, NY (US);  
**Adam Schillen**, Dix Hills, NY (US)

(73) Assignee: **BLUE RHINO GLOBAL SOURCING, INC.**, Liberty, MO (US)

(\*\*) Term: **14 Years**

(21) Appl. No.: **29/481,270**

(22) Filed: **Feb. 4, 2014**

(51) **LOC (10) Cl.** ..... **26-05**

(52) **U.S. Cl.**  
USPC ..... **D26/60**

(58) **Field of Classification Search**  
USPC ..... D26/60, 61, 63, 65, 67, 107; 362/419,  
362/427

CPC ..... F21V 21/088; F21V 21/0885; F21S 6/003  
See application file for complete search history.

(56) **References Cited**

**U.S. PATENT DOCUMENTS**

D155,488 S *	10/1949	Crockett	.....	D26/60
D175,933 S *	11/1955	Crockett	.....	D26/60
4,305,560 A *	12/1981	Ban	.....	362/418
D271,526 S *	11/1983	Zeller	.....	D26/60
4,803,606 A *	2/1989	Rotter	.....	362/419
D314,635 S *	2/1991	Berg	.....	D26/60
D321,763 S *	11/1991	Short	.....	D26/37
D322,327 S *	12/1991	Short	.....	D26/37
D338,976 S *	8/1993	Miley, Jr.	.....	D26/60
D350,620 S *	9/1994	Yuen	.....	D26/65
D351,920 S *	10/1994	Nagy et al.	.....	D26/65

D357,993 S *	5/1995	Yuen	.....	D26/65
5,491,621 A *	2/1996	Duty	.....	362/427
D377,227 S *	1/1997	Nordstrom et al.	.....	D26/65
D382,577 S *	8/1997	Waldmann	.....	D16/135
D405,203 S *	2/1999	Tobianski	.....	D26/60
7,008,077 B2	3/2006	Raichlen		
D525,381 S *	7/2006	Hodgson	.....	D26/60
D536,467 S *	2/2007	Geringer	.....	D26/60
D560,014 S *	1/2008	Lammel et al.	.....	D26/61
D571,031 S *	6/2008	Perkins	.....	D26/60
D581,569 S *	11/2008	Levine	.....	D26/61
D619,751 S	7/2010	Zemel		
2002/0105797 A1	8/2002	Navid et al.		

\* cited by examiner

*Primary Examiner* — Clare E Heflin

(74) *Attorney, Agent, or Firm* — Carter, DeLuca, Farrell & Schmidt, LLP

(57) **CLAIM**

The ornamental design for a grill light, as shown and described.

**DESCRIPTION**

FIG. 1 is a perspective view of a grill light in accordance with the present design;

FIG. 2 is a bottom perspective view thereof;

FIG. 3 is a right side elevational view thereof, the left side elevational view being a mirror image thereof;

FIG. 4 is a front side elevational view thereof;

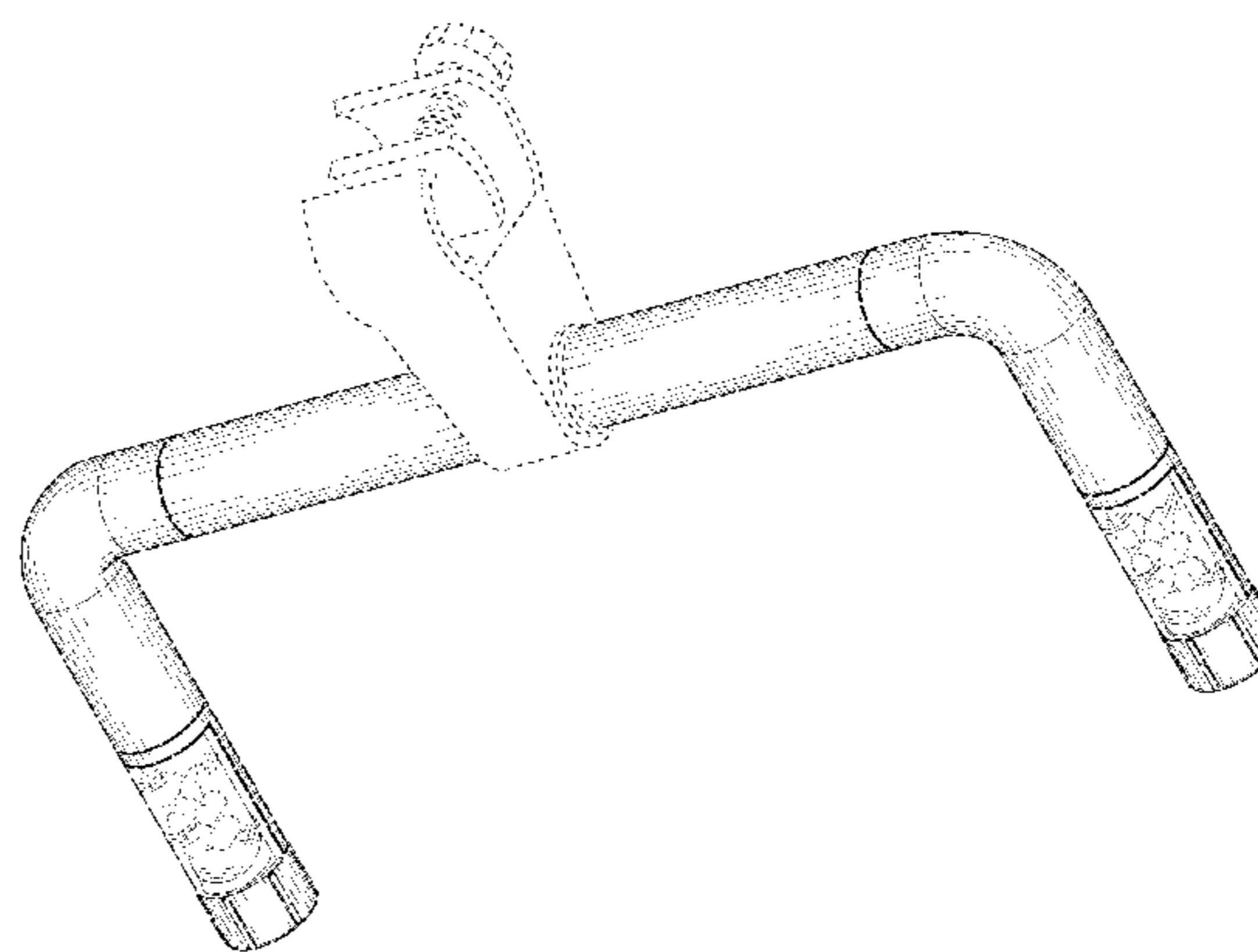
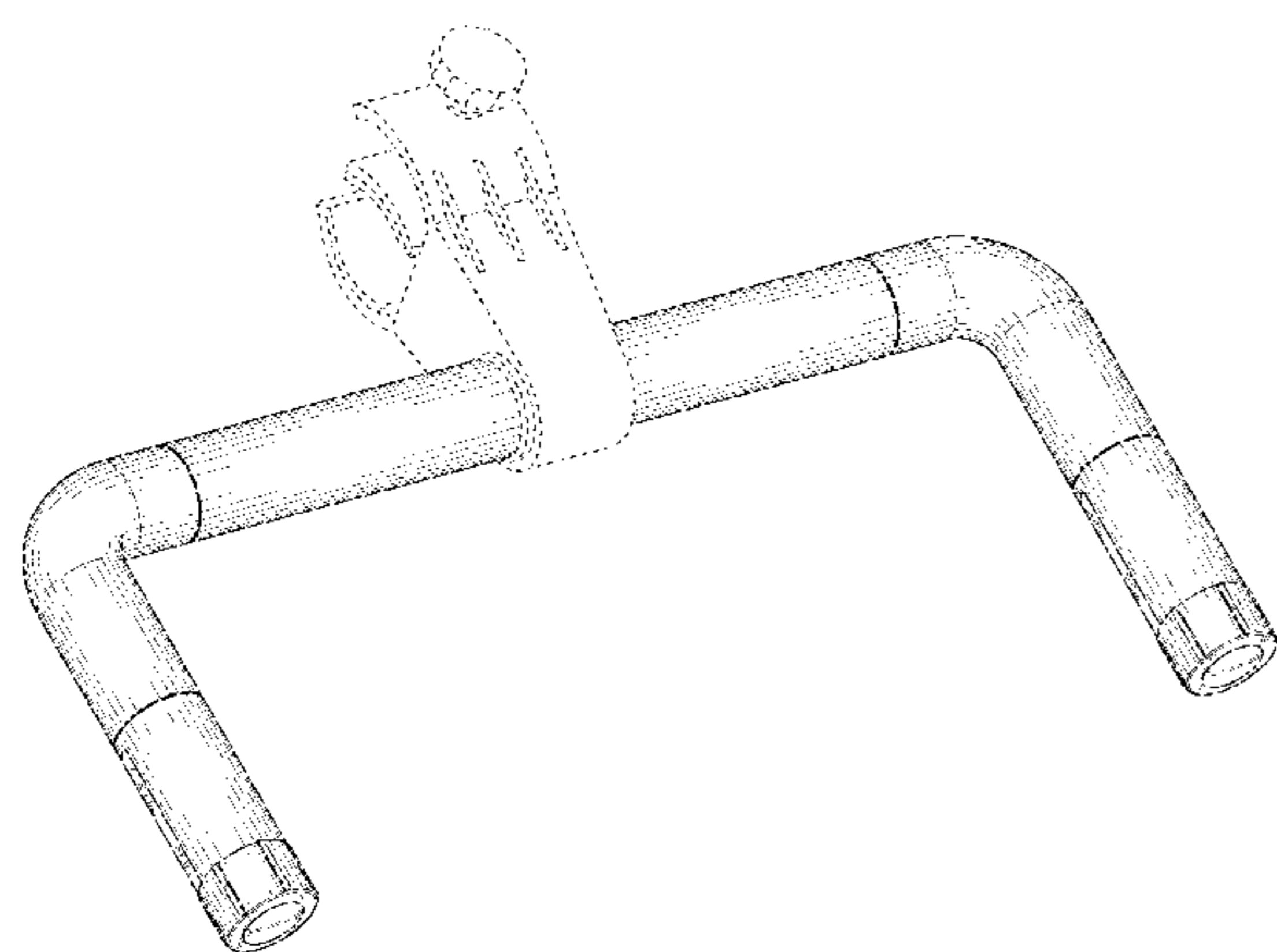
FIG. 5 is a rear side elevational view thereof;

FIG. 6 is a top plan view thereof; and,

FIG. 7 is a bottom plan view thereof.

The broken lines shown are included for the purpose of illustrating a portion of the grill light that forms no part of the claimed design.

**1 Claim, 6 Drawing Sheets**



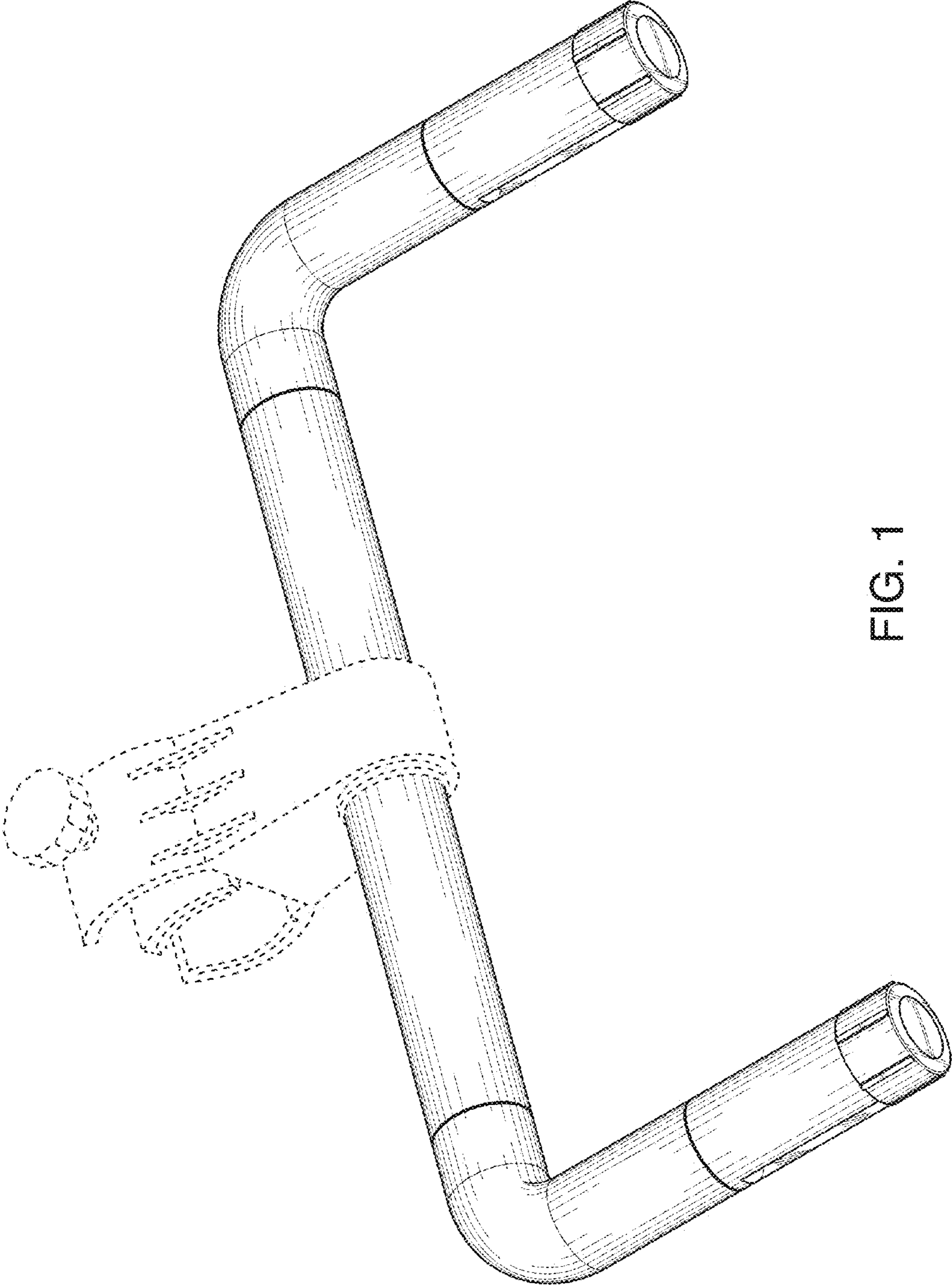


FIG. 1

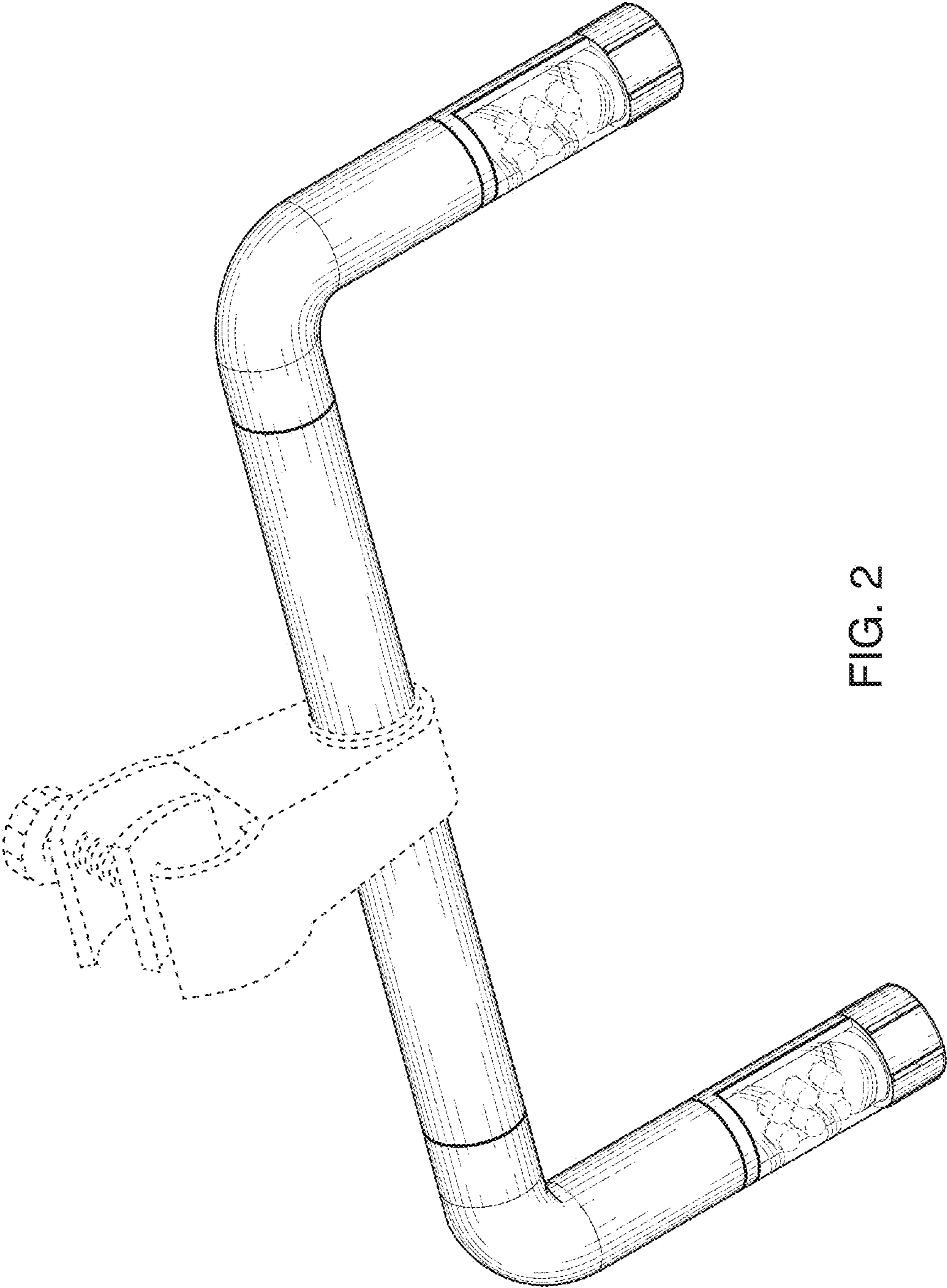


FIG. 2

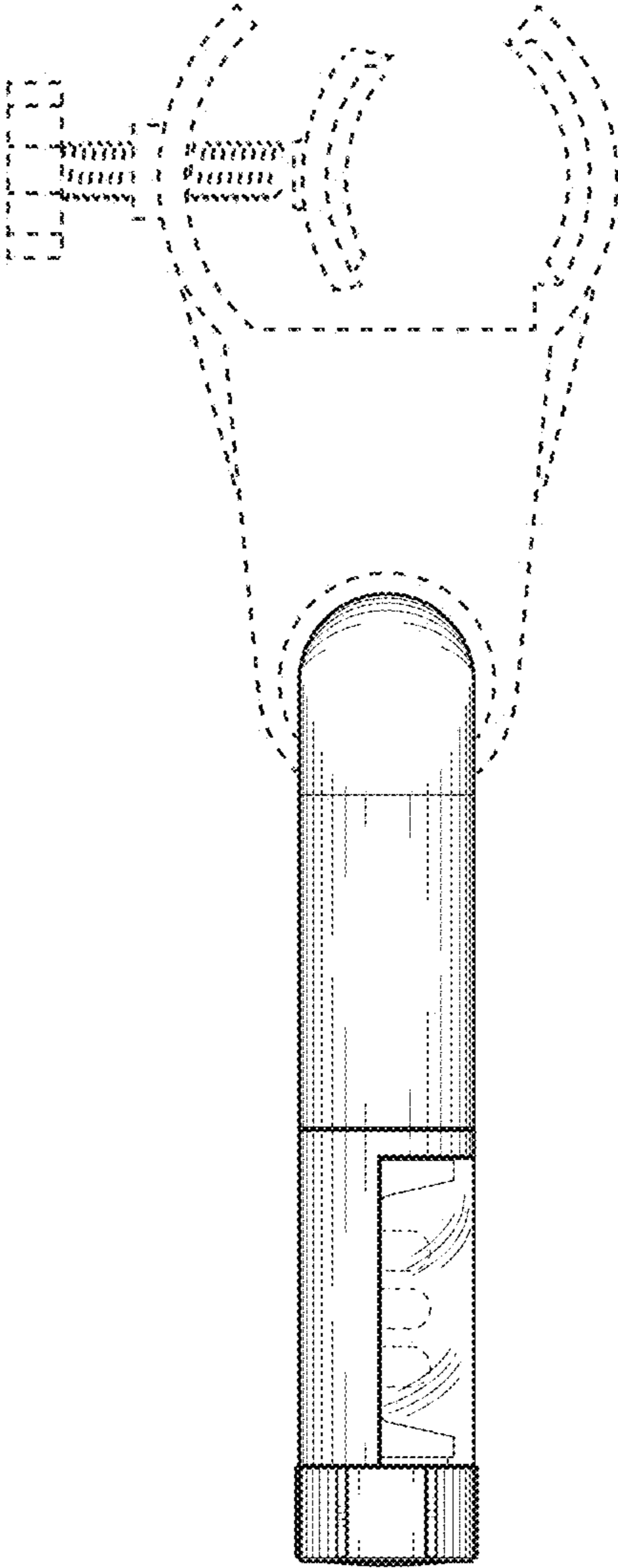


FIG. 3

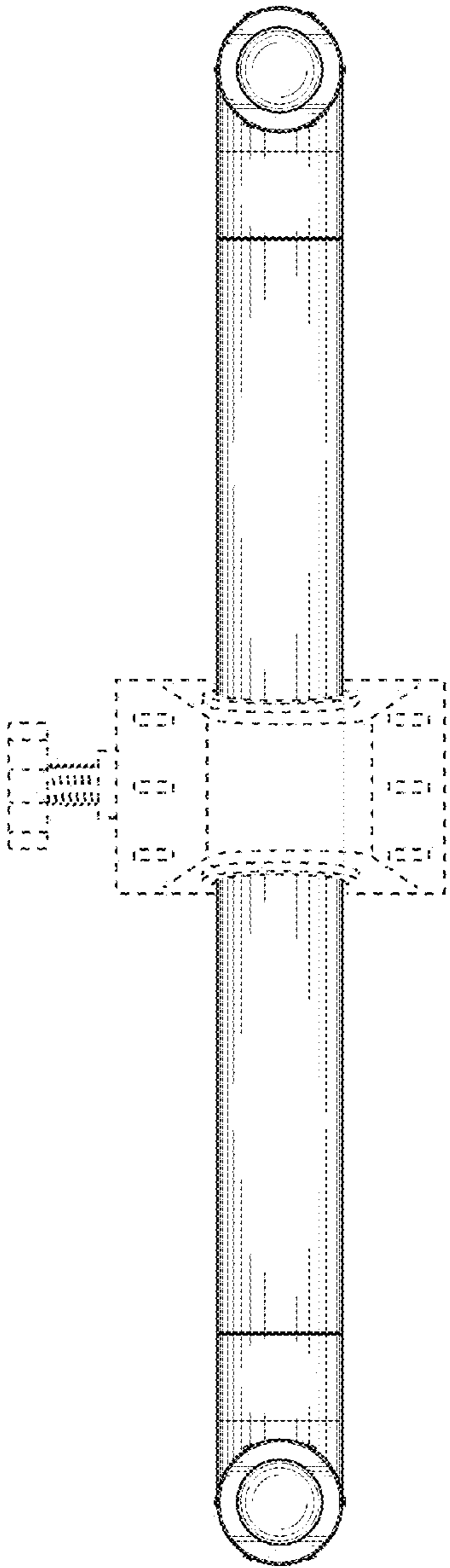


FIG. 4

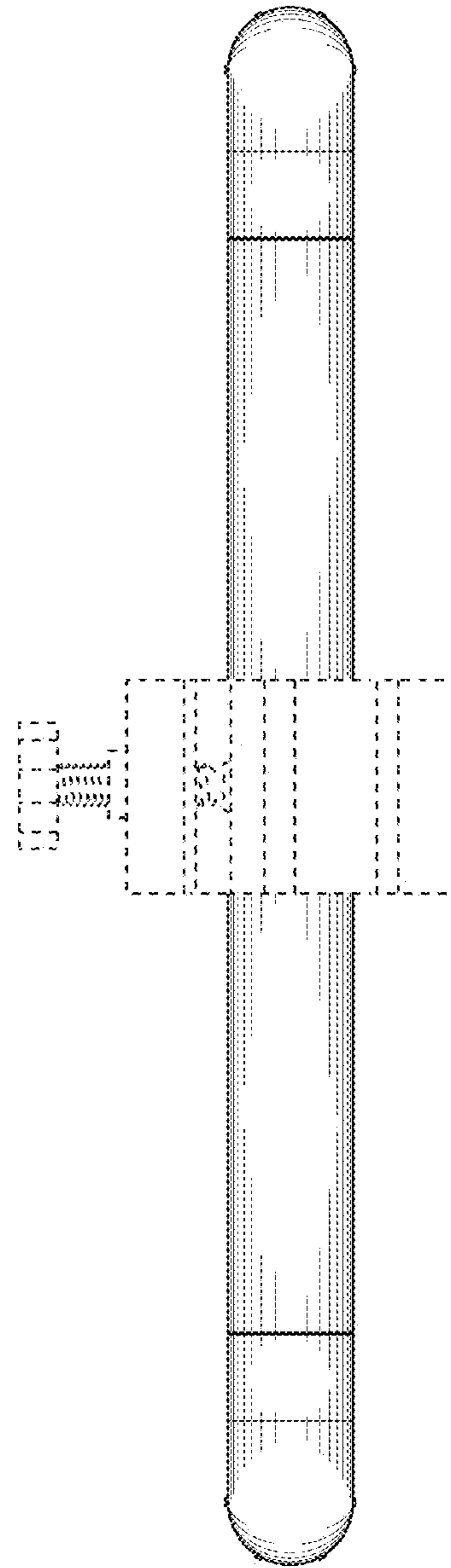


FIG. 5

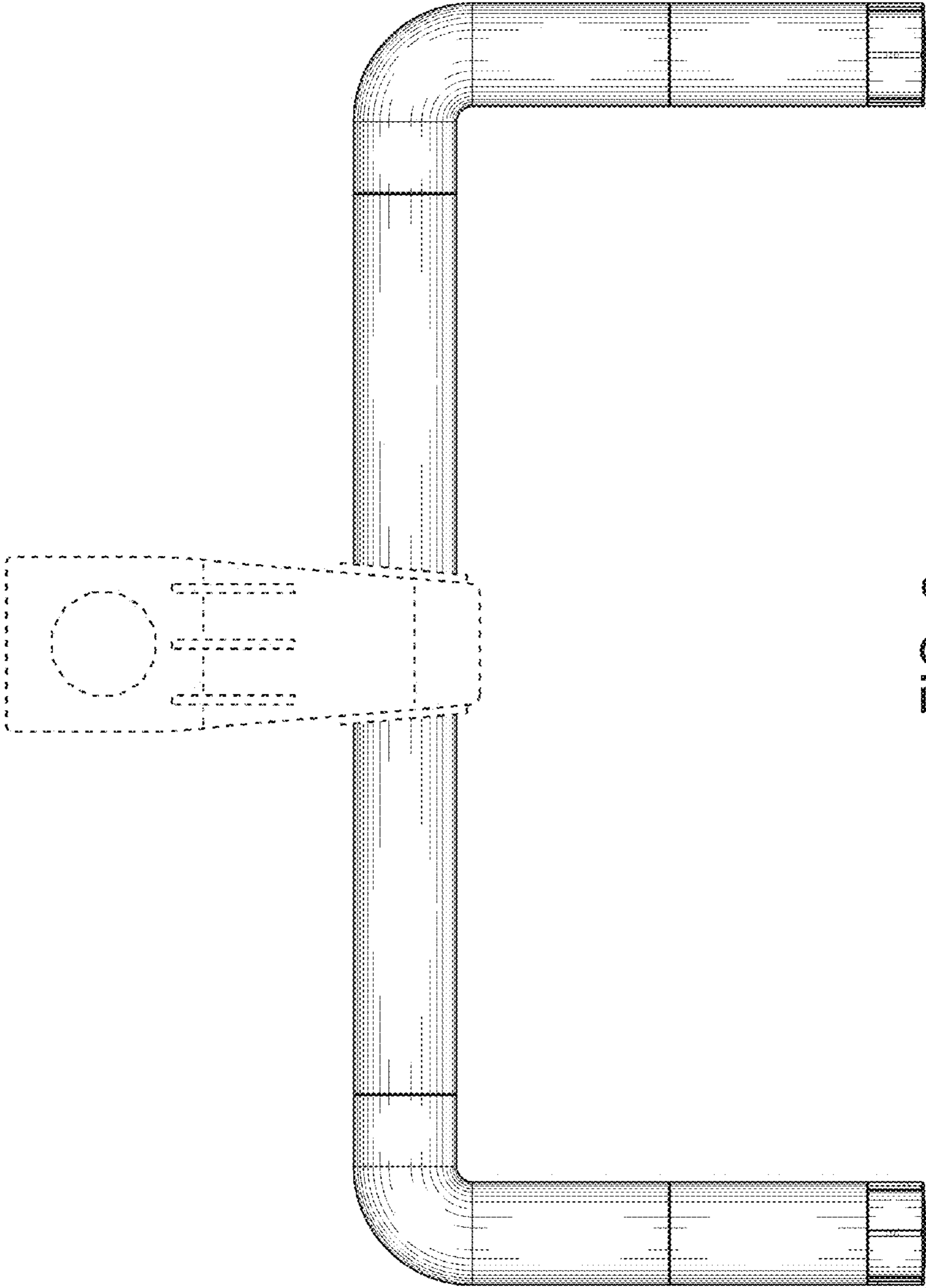


FIG. 6

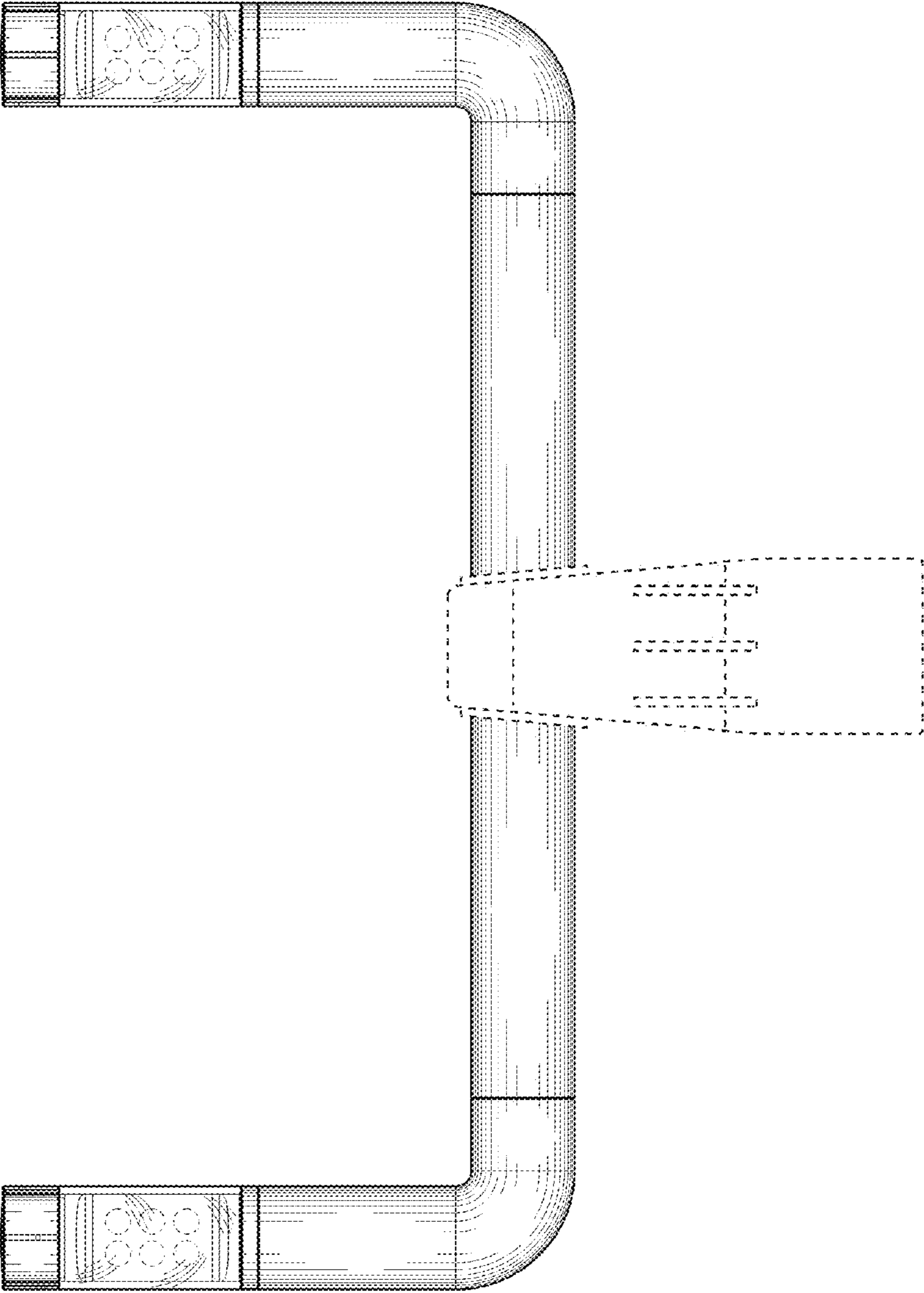


FIG. 7