



US00D731098S

(12) **United States Design Patent**
Thole et al.

(10) **Patent No.:** **US D731,098 S**
(45) **Date of Patent:** **** Jun. 2, 2015**

(54) **VEHICLE HEAD LAMP**

(71) Applicant: **GM GLOBAL TECHNOLOGY OPERATIONS LLC**, Detroit, MI (US)

(72) Inventors: **Louis D. Thole**, Gross Pointe Park, MI (US); **Scott P. Wassell**, Leonard, MI (US)

(73) Assignee: **GM GLOBAL TECHNOLOGY OPERATIONS LLC**, Detroit, MI (US)

(**) Term: **14 Years**

(21) Appl. No.: **29/476,577**

(22) Filed: **Dec. 15, 2013**

(51) **LOC (10) Cl.** **26-06**

(52) **U.S. Cl.**
USPC **D26/28**

(58) **Field of Classification Search**
USPC D26/28-36; 362/459-468, 475-478,
362/485-487

See application file for complete search history.

(56) **References Cited**

U.S. PATENT DOCUMENTS

D506,842 S * 6/2005 Nagura et al. D26/28

D524,466 S * 7/2006 Essig D26/28
D529,208 S * 9/2006 Ikeda D26/28
D538,954 S * 3/2007 Pfeiffer D26/28
D542,442 S * 5/2007 Matsunami D26/28
D552,768 S * 10/2007 Leclercq D26/28
D570,007 S * 5/2008 Hsu D26/28

* cited by examiner

Primary Examiner — Marcus Jackson

(74) *Attorney, Agent, or Firm* — Parks Wood LLC; Mickki D. Murray

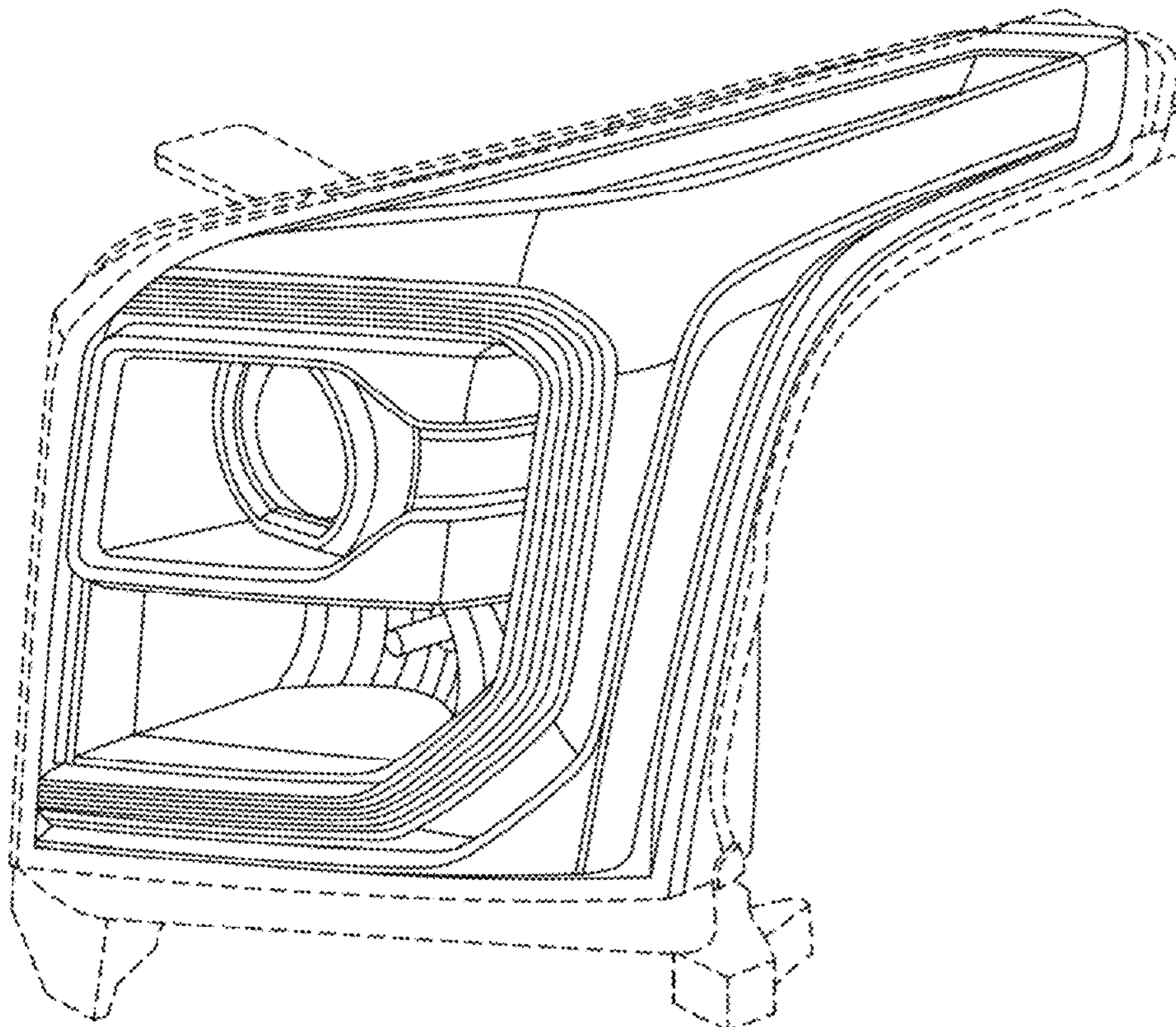
(57) **CLAIM**

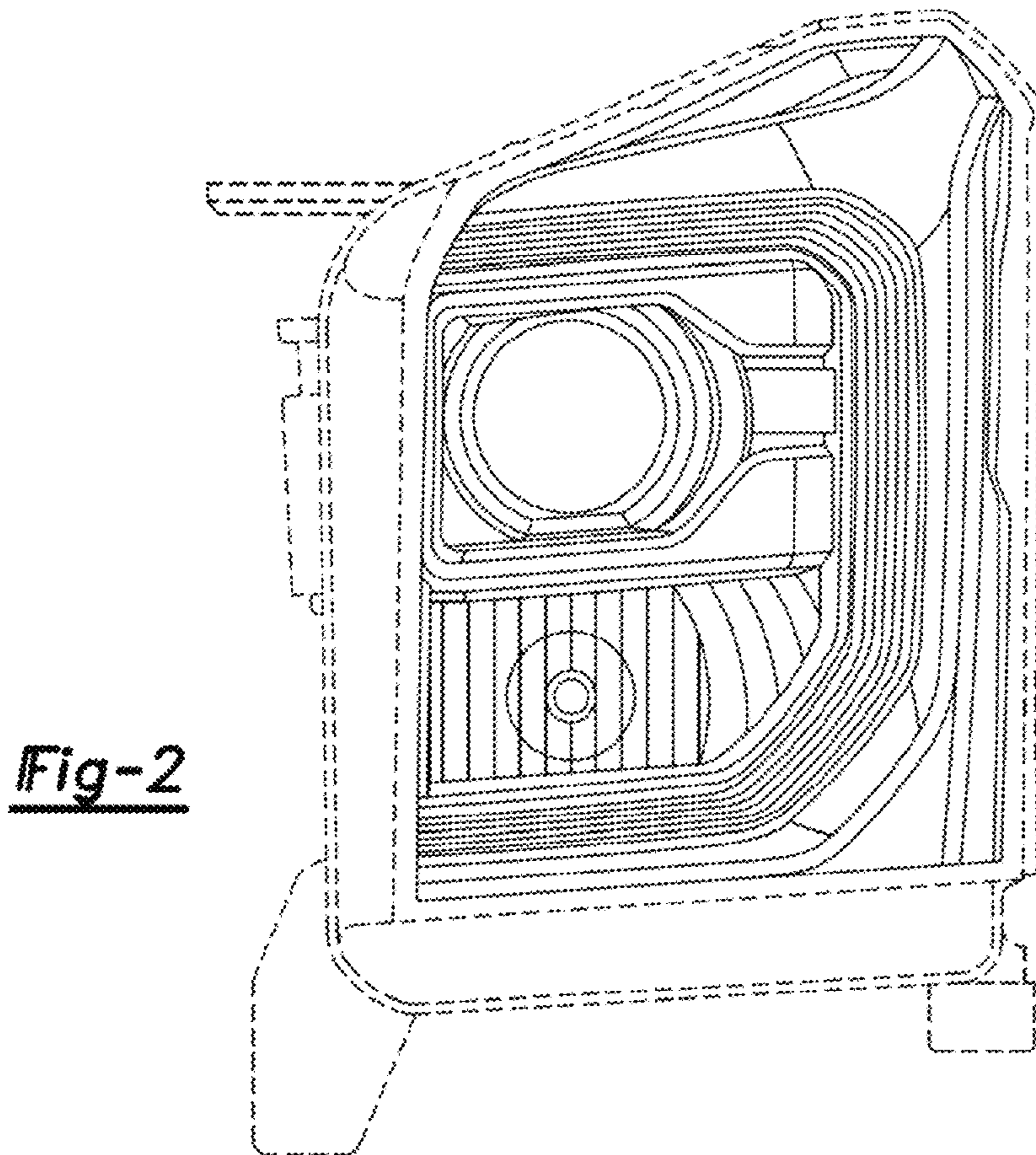
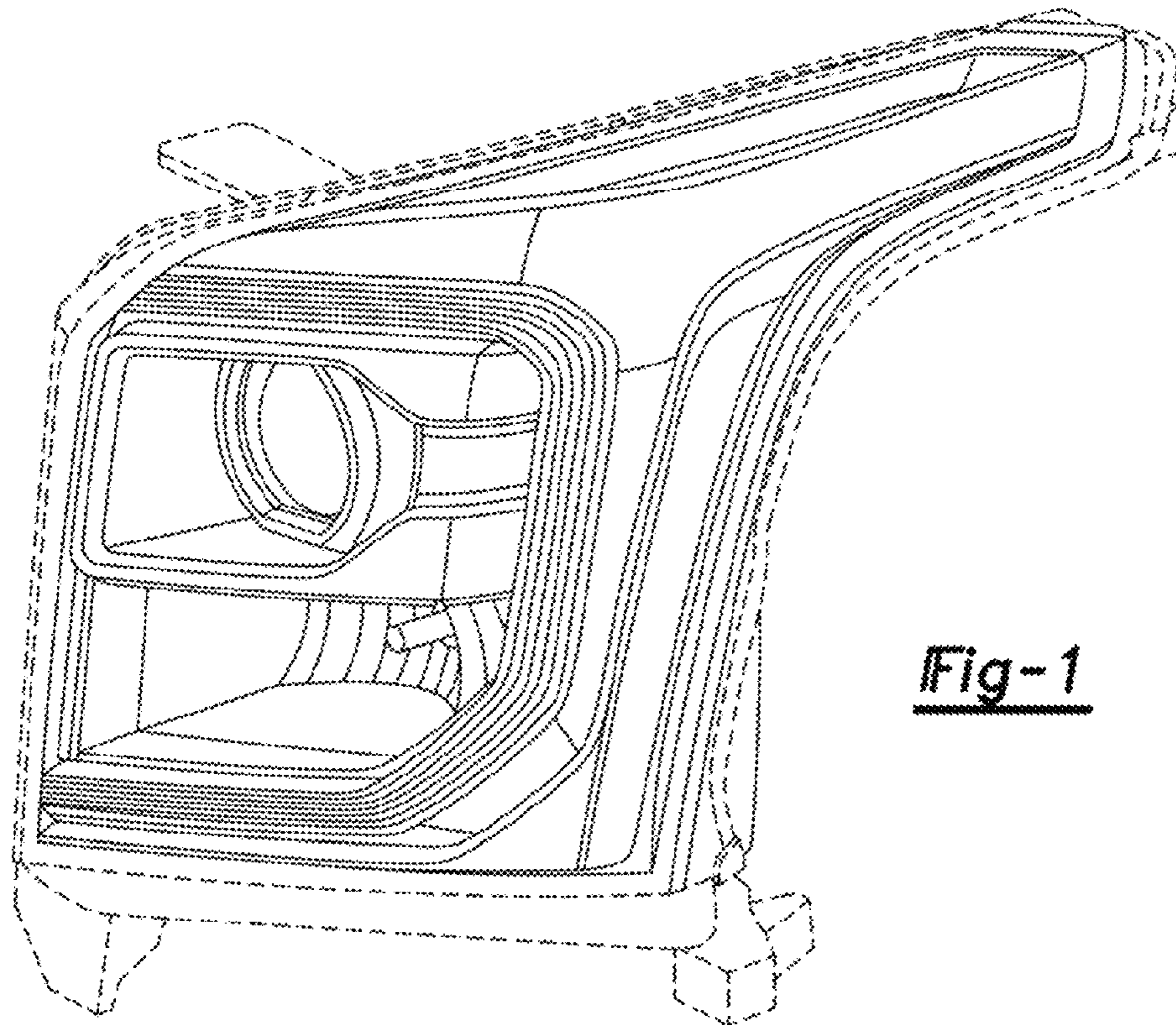
The ornamental design for a vehicle head lamp, as shown and described.

DESCRIPTION

FIG. 1 is perspective view of a vehicle head lamp showing the new design;
FIG. 2 is a front plan view, thereof;
FIG. 3 is a side view, thereof; and,
FIG. 4 is a top plan view, thereof.
Broken lines shown in the drawings illustrate portions of the vehicle head lamp that form no part of the claimed design.

1 Claim, 2 Drawing Sheets





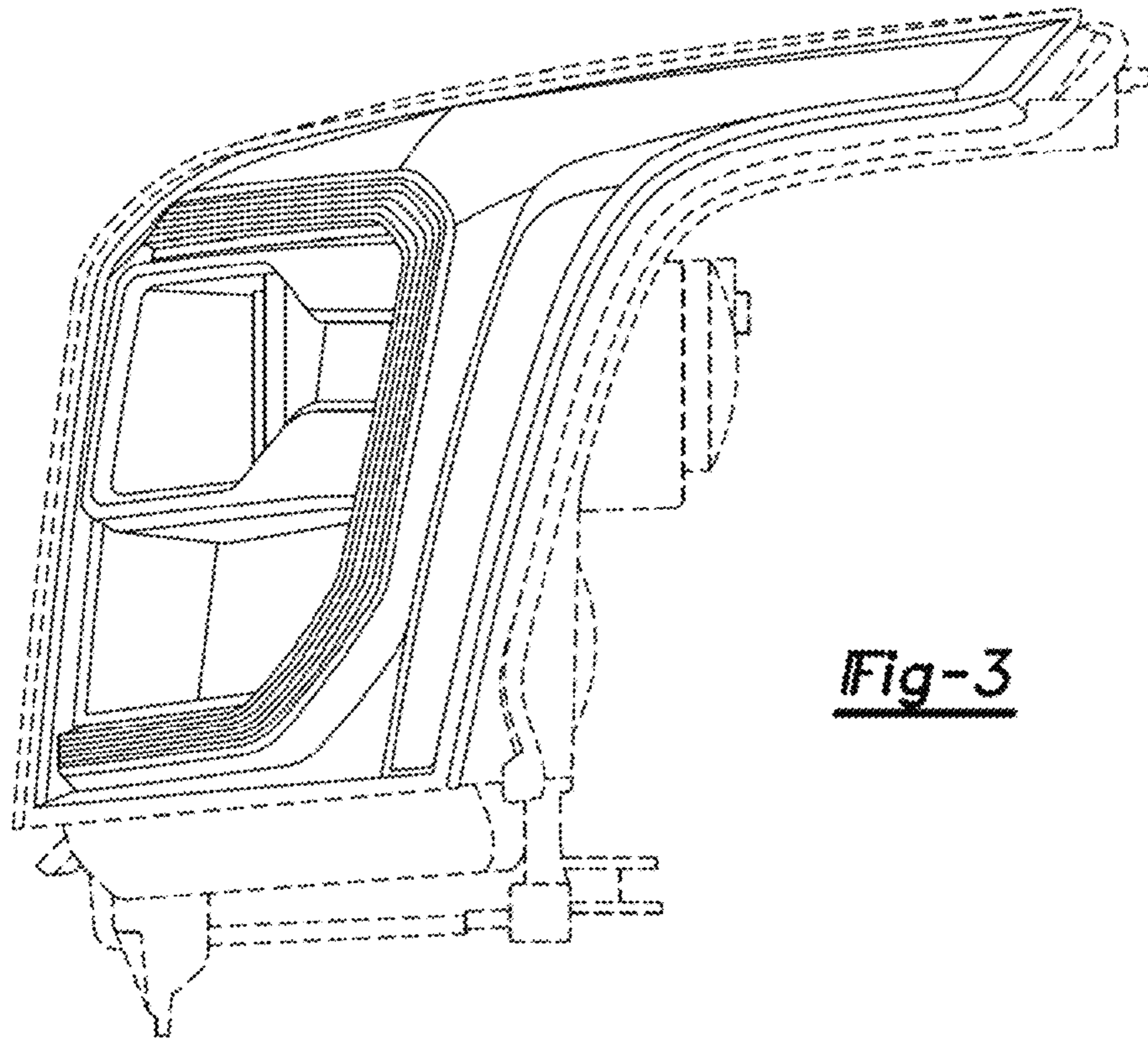


Fig-3

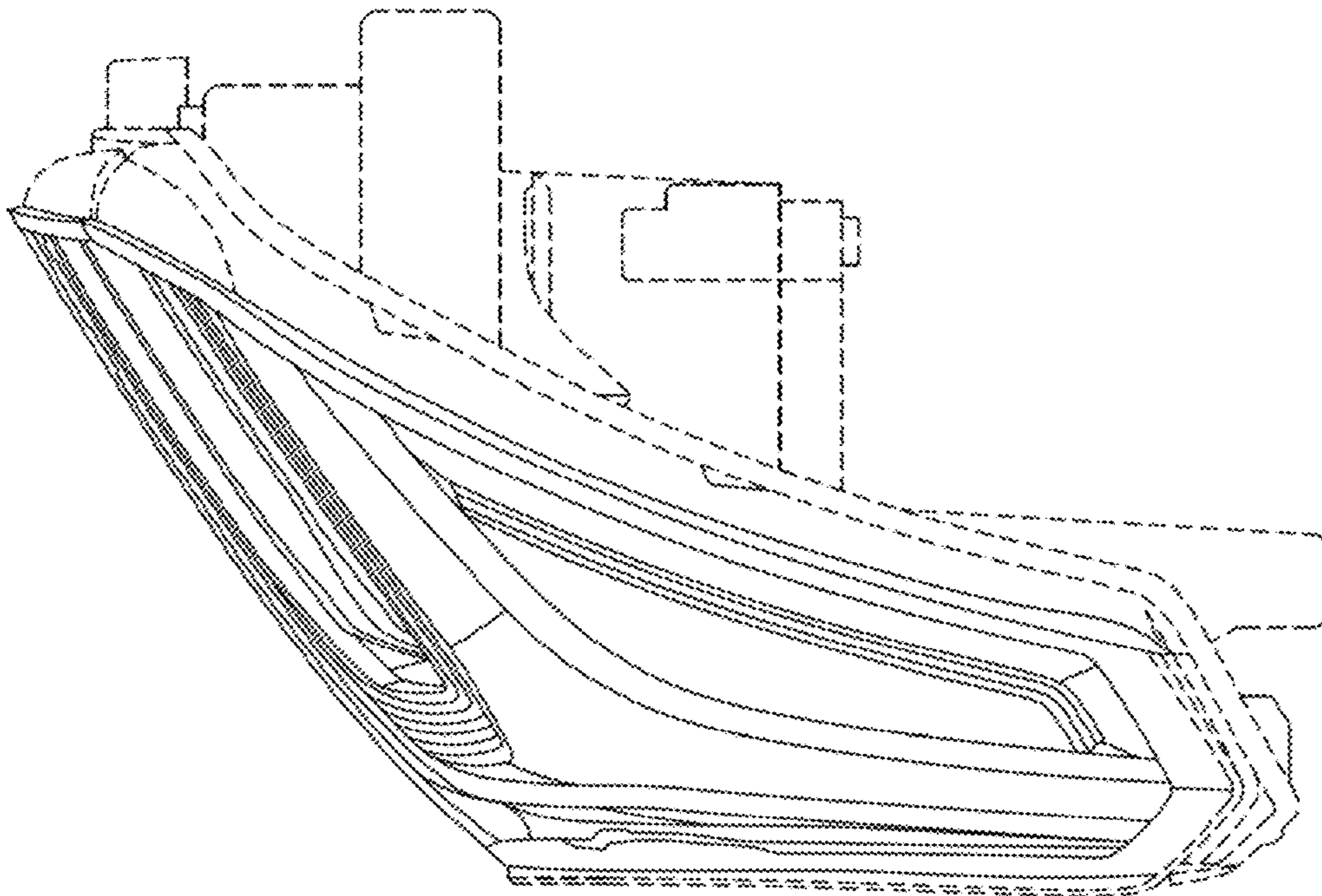


Fig-4