



US00D731097S

(12) **United States Design Patent**  
**Dai**

(10) **Patent No.:** **US D731,097 S**  
(45) **Date of Patent:** **\*\* Jun. 2, 2015**

(54) **LED INDUCTION LAMP ASSEMBLY**

(71) Applicant: **Ningbo Weitao Electrical Appliance Co., Ltd.**, Ninghai, Zhejiang (CN)  
(72) Inventor: **Jiangang Dai**, Zhejiang (CN)  
(73) Assignee: **NINGBO WEITAO ELECTRICAL APPLIANCE CO., LTD.**, Ninghai (CN)  
(\*\*) Term: **14 Years**

(21) Appl. No.: **29/443,647**  
(22) Filed: **Jan. 20, 2013**  
(51) **LOC (10) Cl.** ..... **26-05**  
(52) **U.S. Cl.**  
USPC ..... **D26/26**  
(58) **Field of Classification Search**  
USPC ..... D26/2, 24, 26, 51, 67, 72-74, 113, 118, D26/122-124; 362/145, 147, 153, 188, 194, 362/216, 362, 364, 365, 368, 373, 640-645, 362/652, 653, 659; D23/366, 367, 369; D14/138 G  
CPC ..... F21S 8/035; F21Y 2103/025; F21W 2121/00; F21V 21/08; F21V 21/29; F21V 23/04; H01R 13/713; H01R 24/76; H01R 24/68  
See application file for complete search history.

(56) **References Cited**

**U.S. PATENT DOCUMENTS**

D193,407 S *	8/1962	Pettengill	.....	D26/67
D199,267 S *	9/1964	Harling et al.	.....	D26/67
D429,834 S *	8/2000	Cohen	.....	D26/72
D437,074 S *	1/2001	Johnson	.....	D26/74
D498,857 S *	11/2004	Smith et al.	.....	D26/26
D542,958 S *	5/2007	Lodhie et al.	.....	D26/67
D545,979 S *	7/2007	Molenaar et al.	.....	D26/26
D595,875 S *	7/2009	Irvine	.....	D26/24
D618,830 S *	6/2010	Choi	.....	D26/26
D625,447 S *	10/2010	Brown et al.	.....	D26/49

(Continued)

**OTHER PUBLICATIONS**

Eton American Red Cross Blackout Buddy Emergency LED, Amazon.com, reviewed on Sep. 13, 2010, online. Site visited Jan. 27, 2015. Internet URL:<"http://amzn.com/B003SVJED2">.\*

(Continued)

*Primary Examiner* — Garth Rademaker  
*Assistant Examiner* — Llorellys Martinez-Rivera

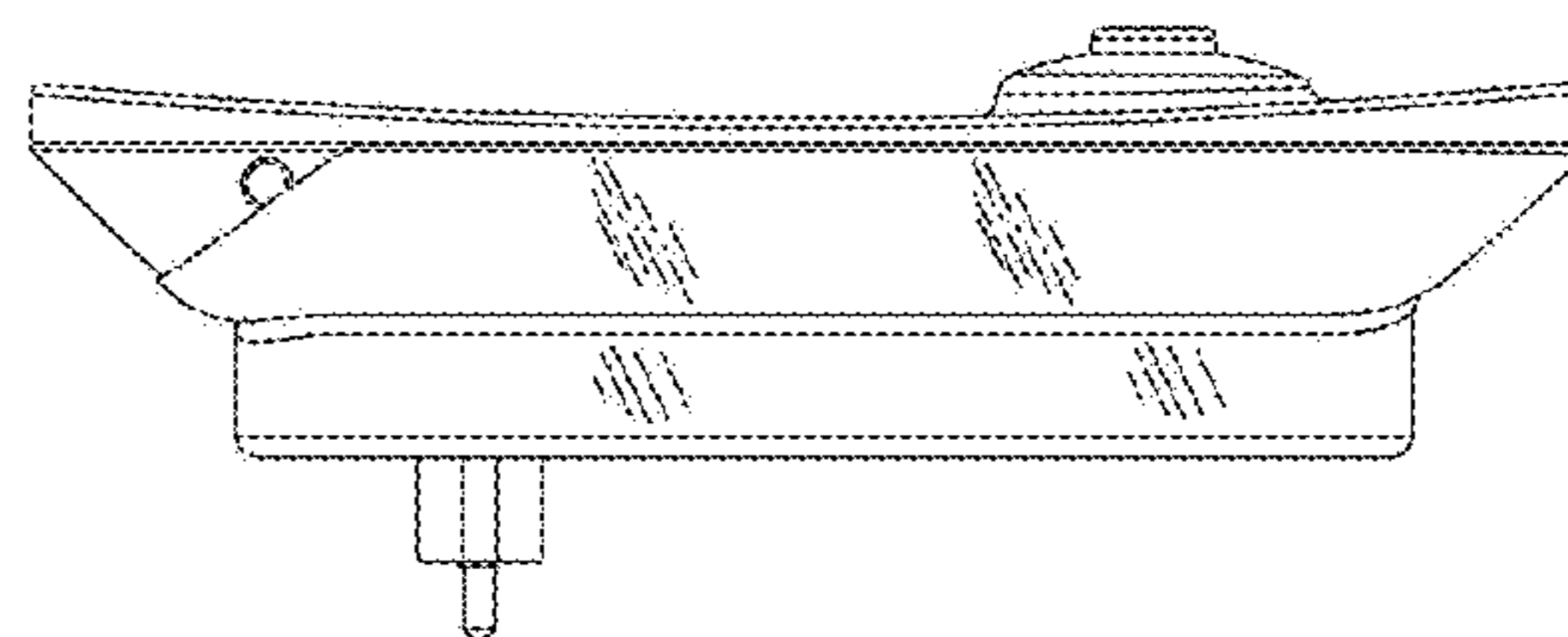
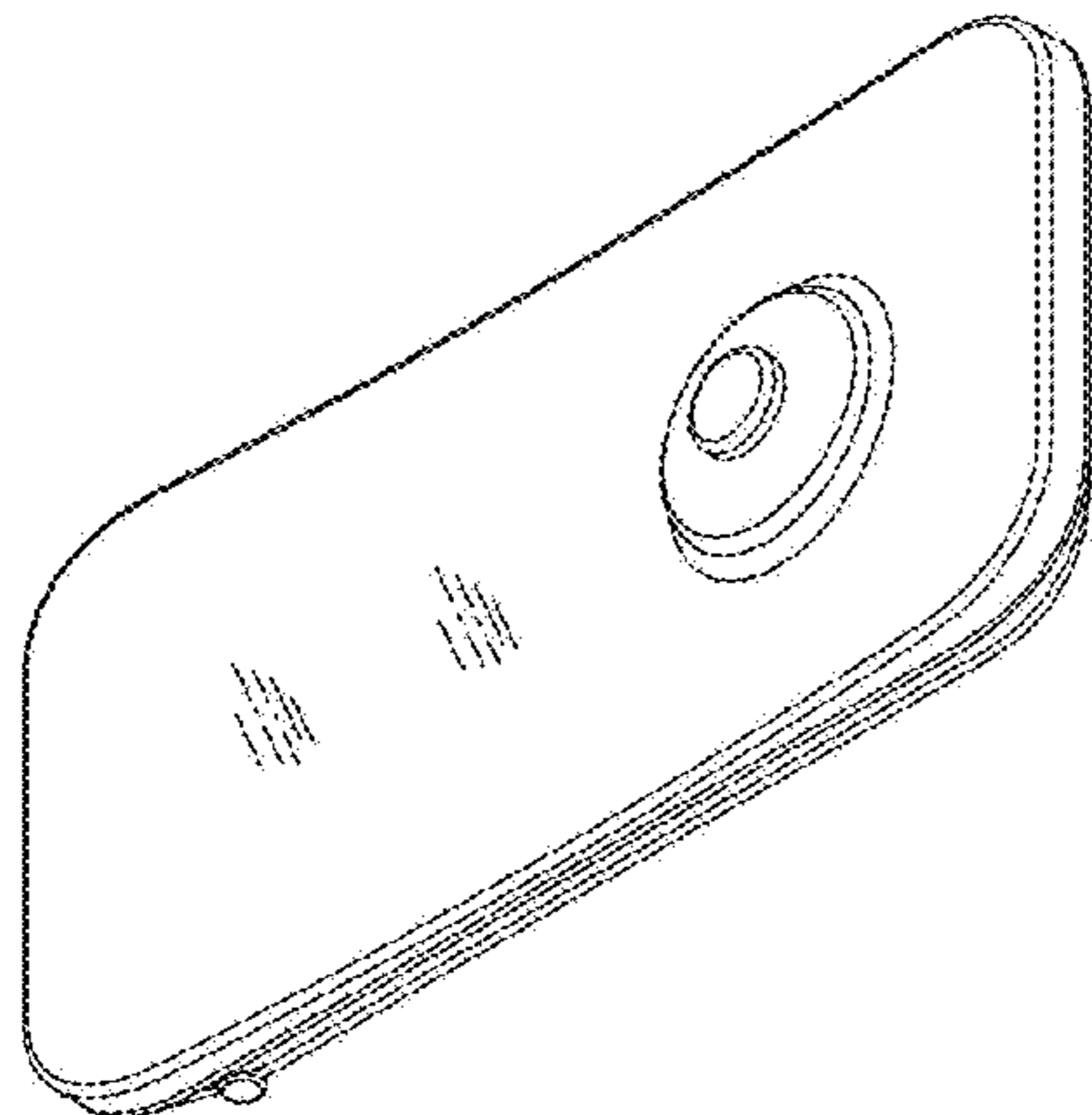
(57) **CLAIM**

The ornamental design for an LED induction lamp assembly, as shown and described.

**DESCRIPTION**

FIG. 1 is a front view of an LED induction lamp assembly showing only the LED induction lamp portion thereof for clarity of illustration;  
FIG. 2 is a rear view of the LED induction lamp portion thereof;  
FIG. 3 is a right view of the LED induction lamp portion thereof;  
FIG. 4 is a left view of the LED induction lamp portion thereof;  
FIG. 5 is a bottom view of the LED induction lamp portion thereof;  
FIG. 6 is a top view of the LED induction lamp portion thereof;  
FIG. 7 is a perspective view of the LED induction lamp portion thereof;  
FIG. 8 is a rear view of the LED induction lamp assembly showing all portions of the design in an assembled configuration;  
FIG. 9 is a front view thereof;  
FIG. 10 is a left view thereof;  
FIG. 11 is a right view thereof;  
FIG. 12 is a bottom view thereof; and,  
FIG. 13 is a top view thereof.

**1 Claim, 13 Drawing Sheets**



(56)

**References Cited**

U.S. PATENT DOCUMENTS

D633,231 S \* 2/2011 Morrison ..... D26/24  
D633,233 S \* 2/2011 DeBrunner ..... D26/24  
D633,237 S \* 2/2011 Wang et al. .... D26/26  
D634,039 S \* 3/2011 Lee ..... D26/24  
D642,708 S \* 8/2011 Kaule et al. .... D26/26  
D644,362 S \* 8/2011 Kingston ..... D26/26  
D650,506 S \* 12/2011 Kaule ..... D26/72  
D657,481 S \* 4/2012 Hine et al. .... D26/26  
D658,317 S \* 4/2012 Eberle ..... D26/24  
D662,578 S \* 6/2012 Blanking et al. .... D23/366  
D697,889 S \* 1/2014 Ahn et al. .... D14/138 G  
D702,208 S \* 4/2014 Shin et al. .... D14/138 G

D704,869 S \* 5/2014 Mozdzer ..... D26/26  
D707,647 S \* 6/2014 Kim et al. .... D14/138 G  
D712,572 S \* 9/2014 Dai ..... D26/26  
D715,468 S \* 10/2014 Dai ..... D26/26

OTHER PUBLICATIONS

This Deals Ivation Sleek 3-In-1 Emergency, ThisReview Blog, published Nov. 1, 2013, online. Site visited Jan. 27, 2015. Internet URL:<<"http://review.sflocalvore.com/2013/11/this-deals-ivation-sleek-3-in-1-emergency-motion-sensing-night-light-and-torch-multipurpose-power-failure-light-flashlight-emergency-hallway-light-with-a-built-in- . . .">.\*

\* cited by examiner

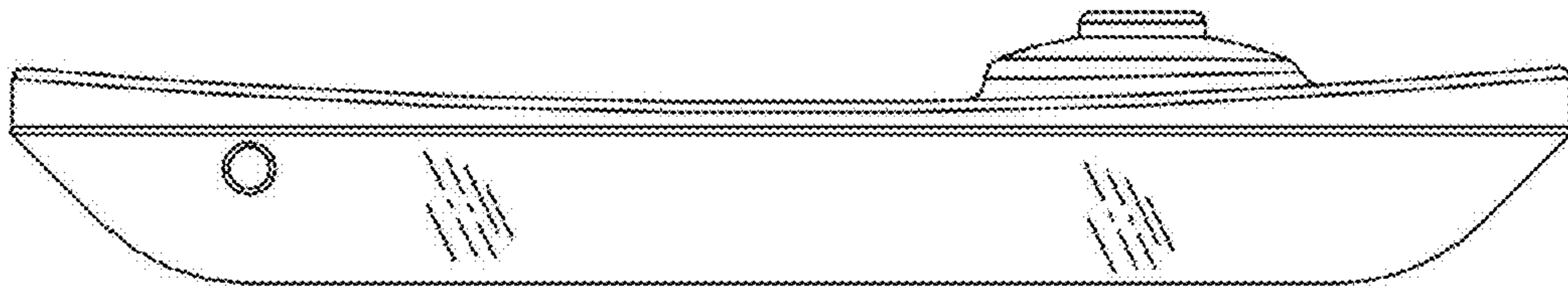


Fig.1

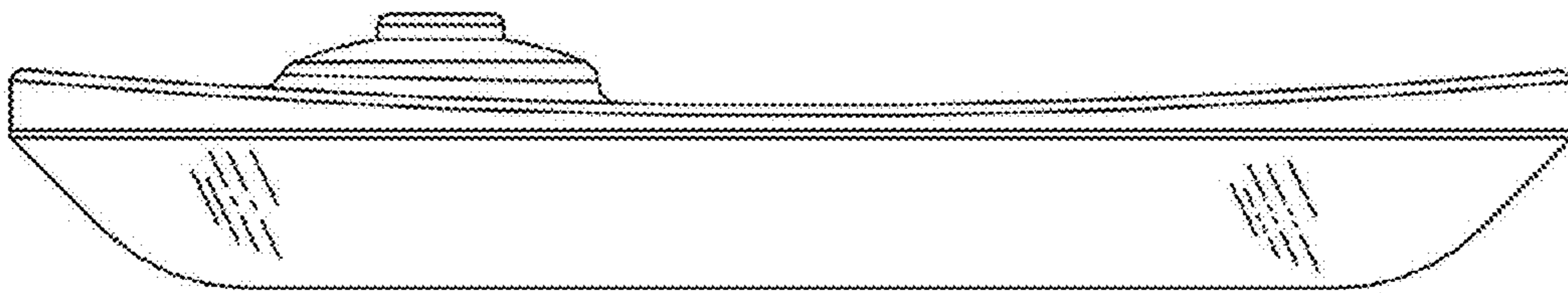


Fig.2

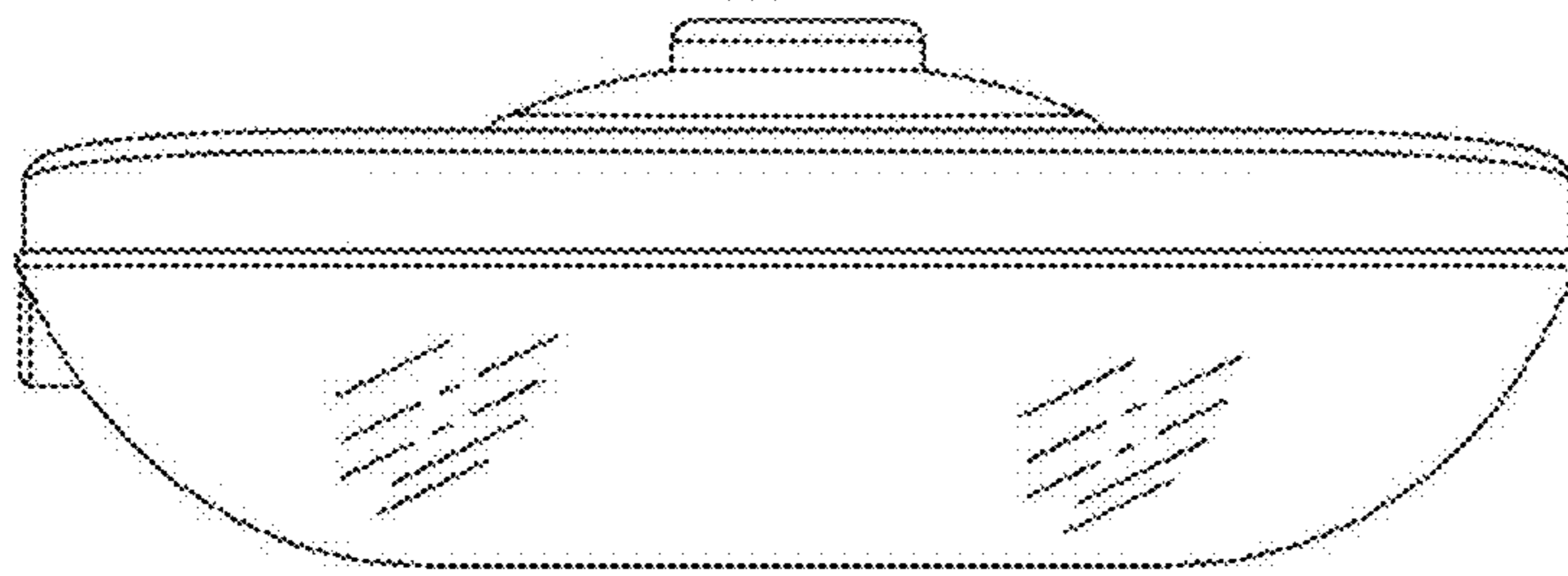


Fig.3

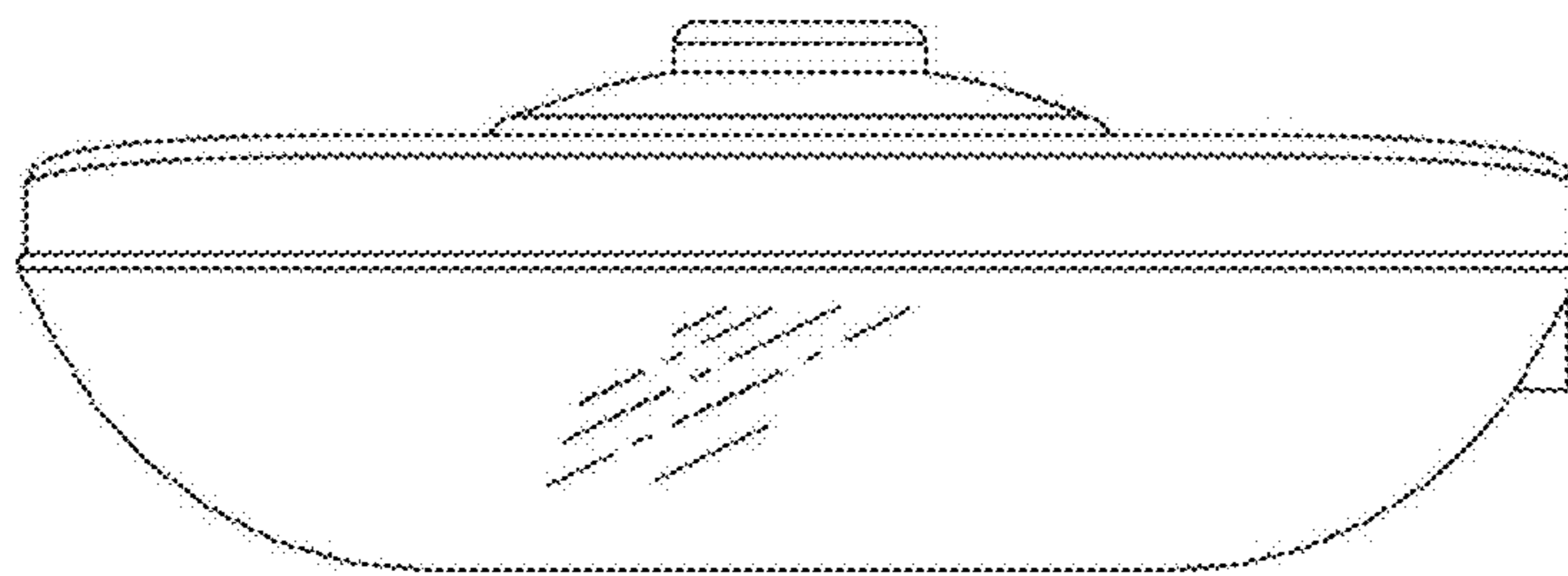


Fig.4

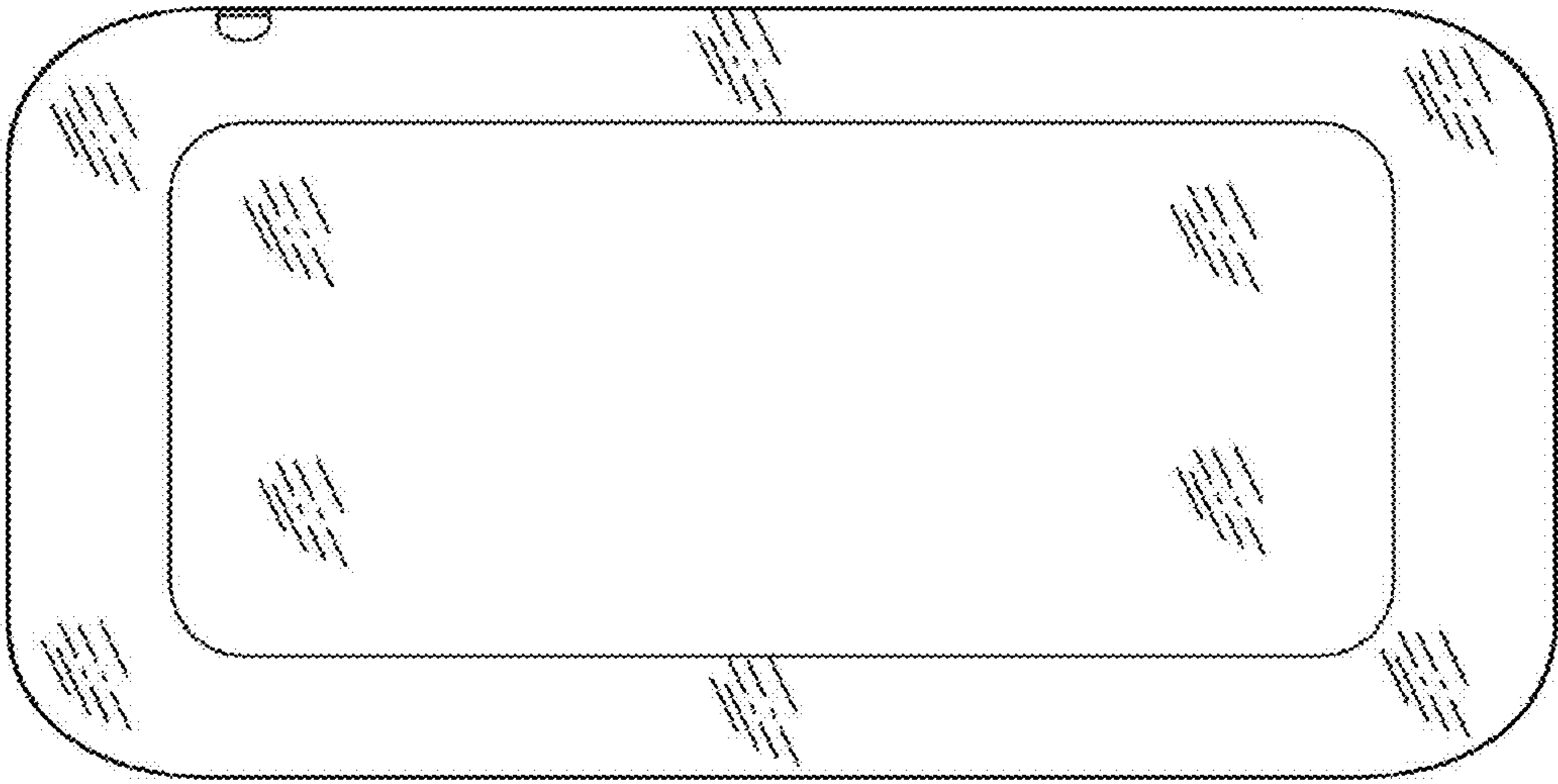


Fig.5

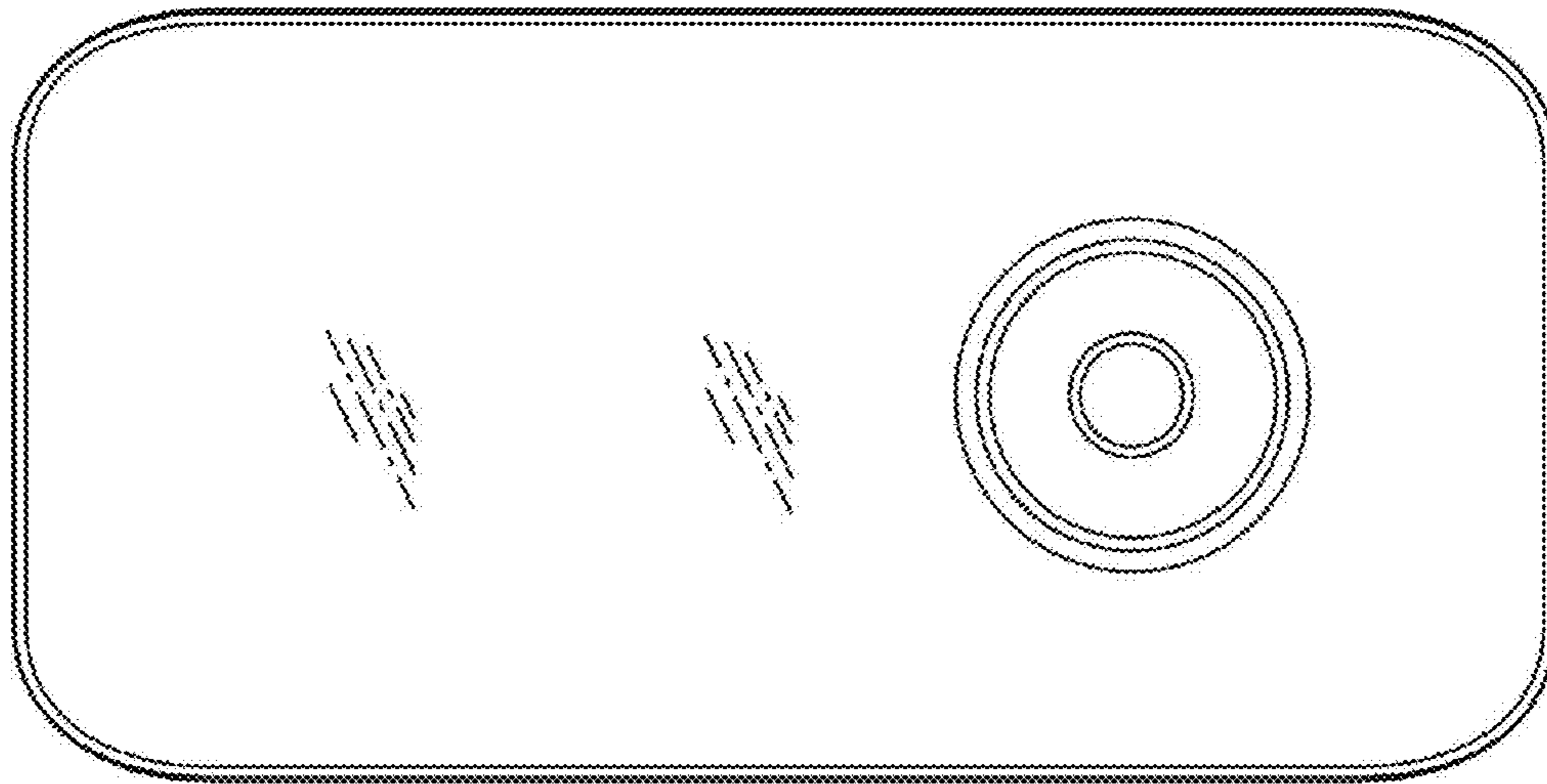


Fig.6



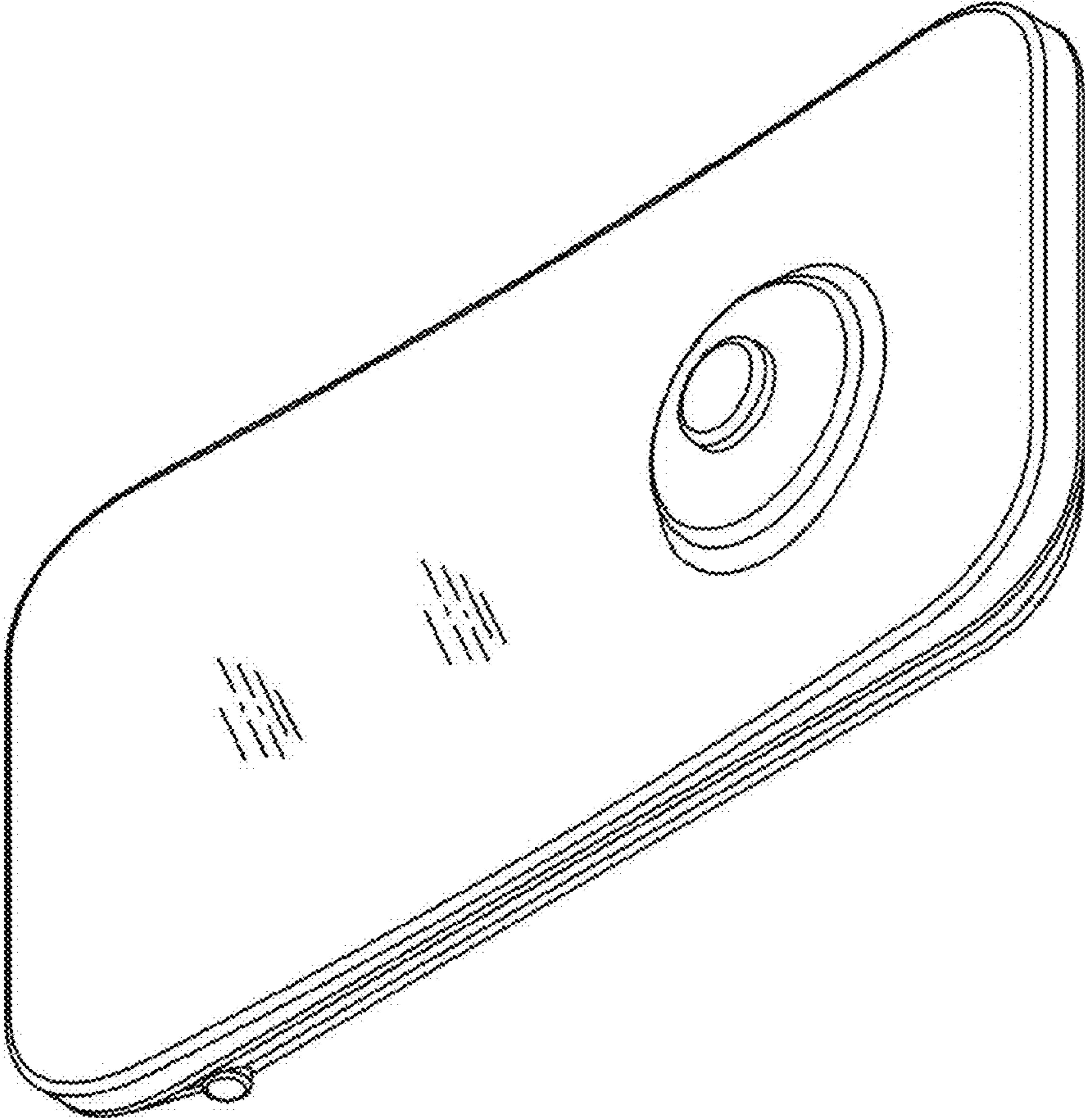


Fig.7

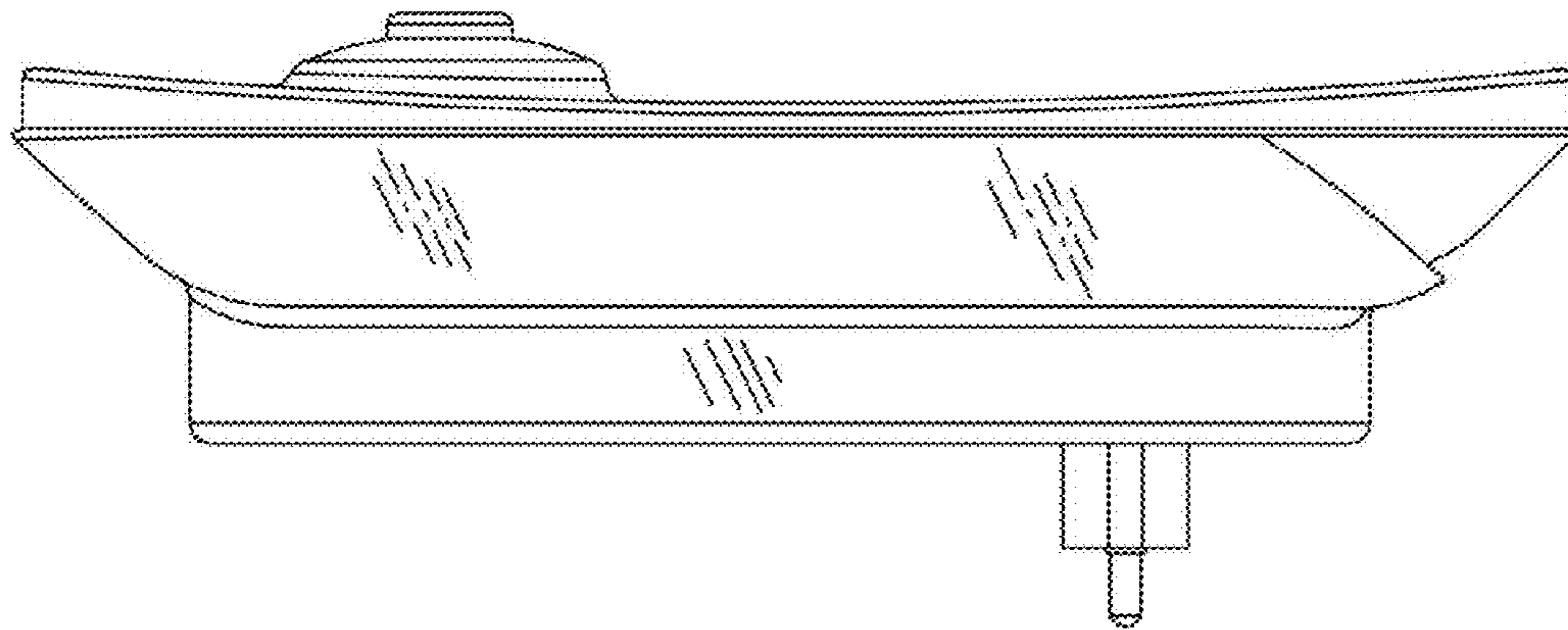


Fig.8

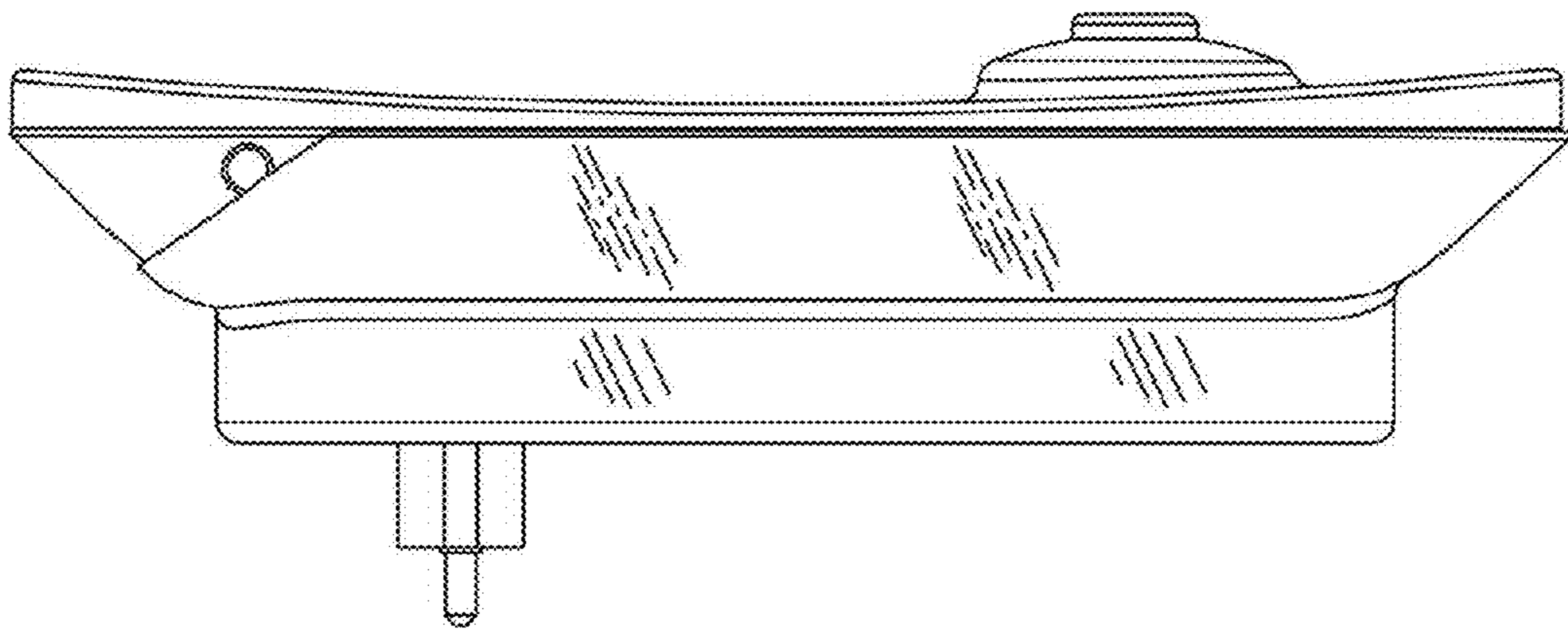


Fig.9

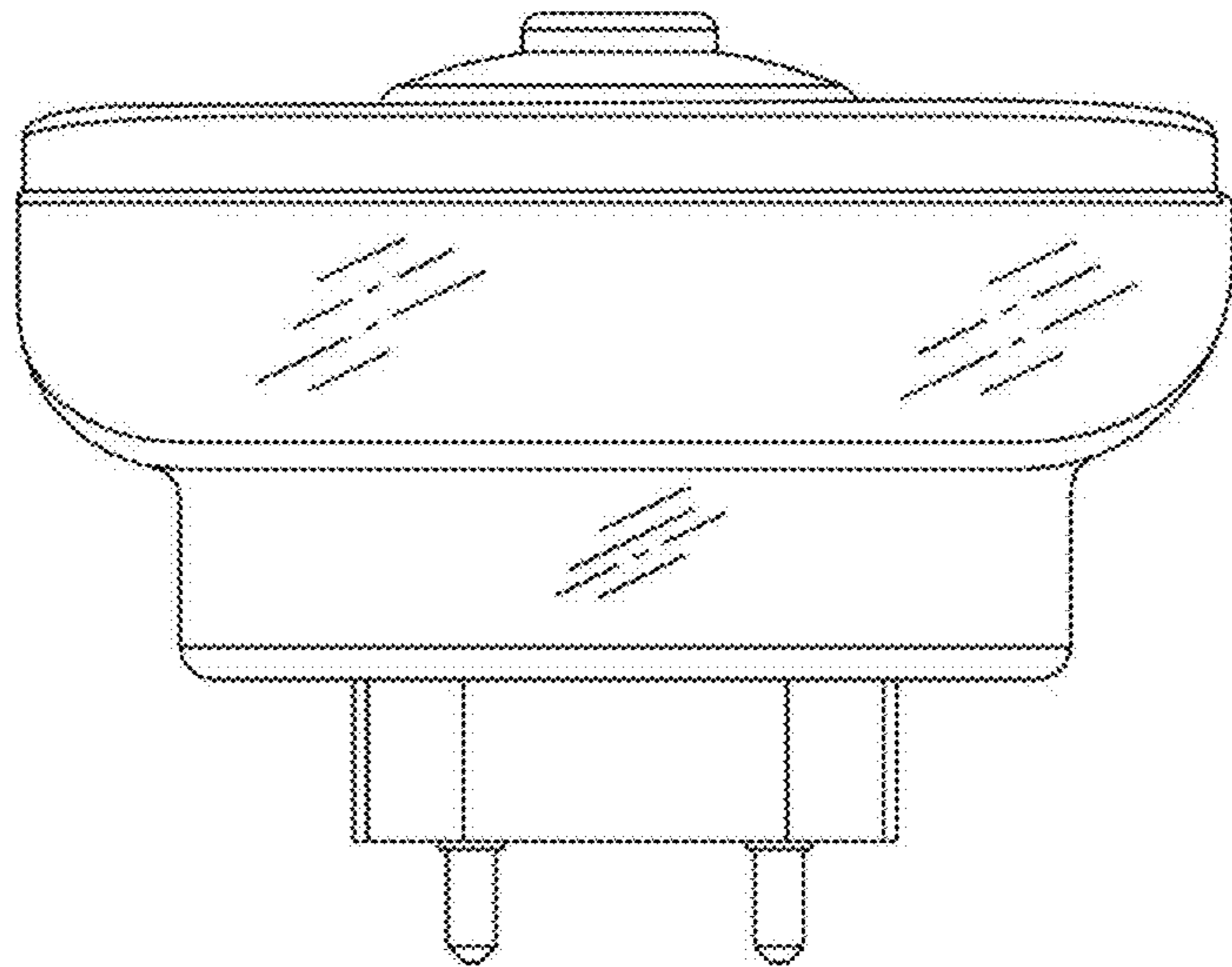


Fig.10

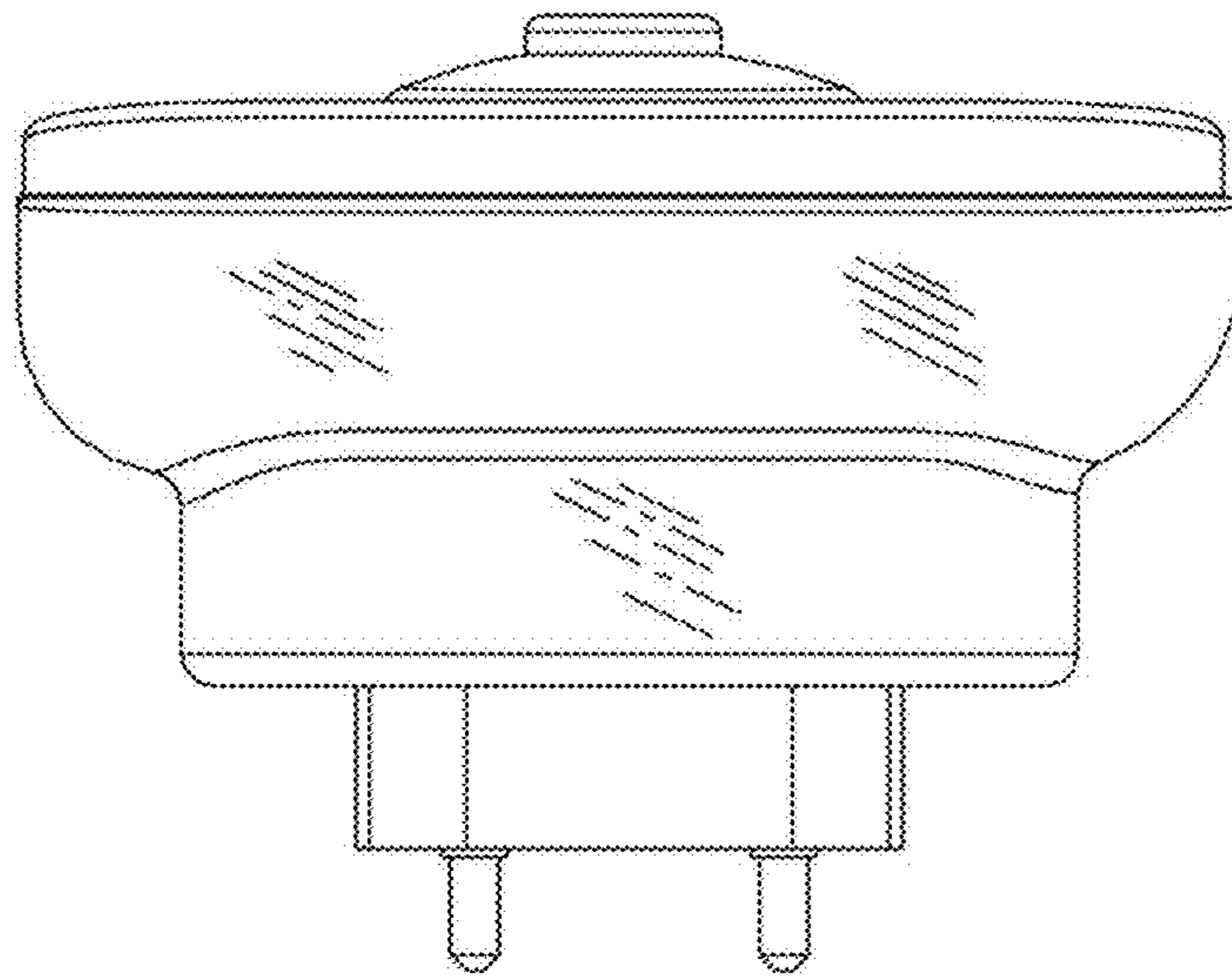


Fig.11

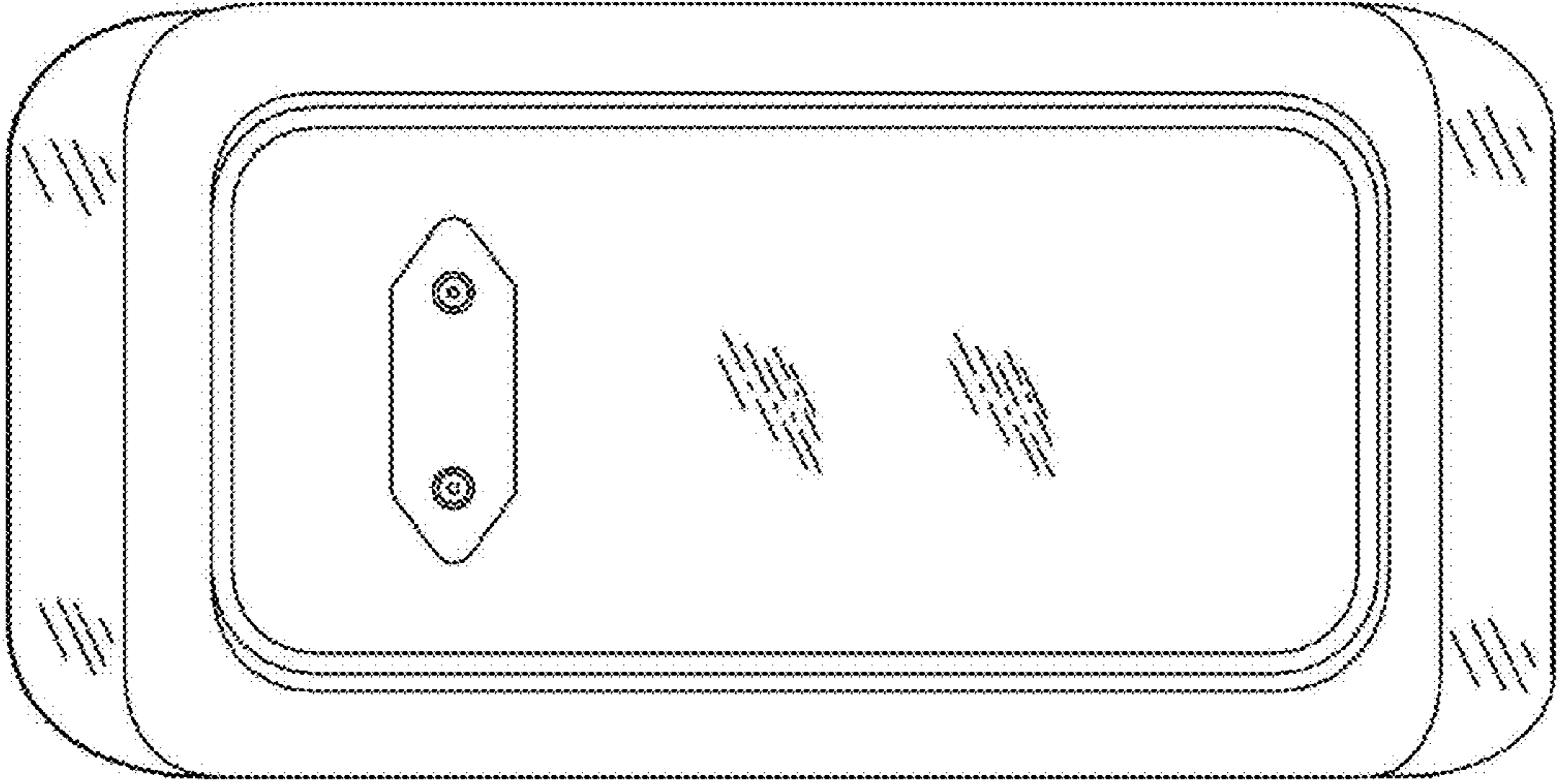


Fig.12

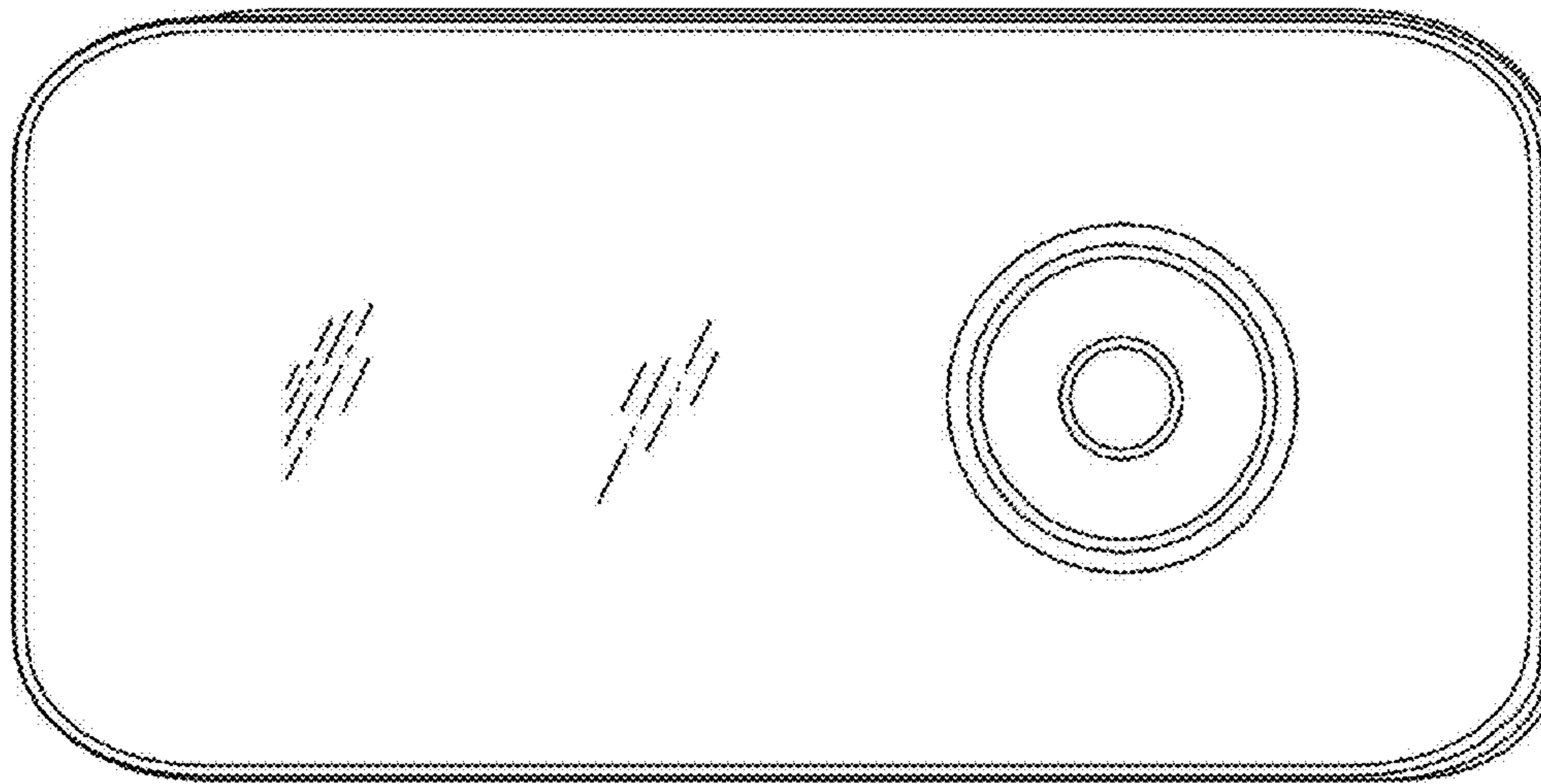


Fig.13