



US00D731094S

(12) **United States Design Patent**
Wang et al.

(10) **Patent No.:** **US D731,094 S**
(45) **Date of Patent:** **** Jun. 2, 2015**

(54) **PART OF LED LAMP**
(71) Applicant: **TAIWAN-N LIGHTING CORPORATION LTD.**, Taipei (TW)

D579,130 S * 10/2008 Hernandez et al. D26/2
D600,368 S * 9/2009 Bertram et al. D26/2
D610,272 S * 2/2010 Guo et al. D26/2
D669,611 S * 10/2012 Yamamoto et al. D26/2

* cited by examiner

(72) Inventors: **Tai-Kuang Wang**, Taipei (TW);
Yu-Wen Cheng, Taipei (TW);
Shih-Hsuan Yang, Taipei (TW)

Primary Examiner — Marcus Jackson
(74) *Attorney, Agent, or Firm* — Li & Cai Intellectual Property (USA) Office

(73) Assignee: **TAIWAN-N LIGHTING CORPORATION LTD.**, Taipei (TW)

(57) **CLAIM**
The ornamental design for a “part of LED lamp,” as shown and described.

(**) Term: **14 Years**

(21) Appl. No.: **29/478,394**

DESCRIPTION

(22) Filed: **Jan. 3, 2014**

(51) **LOC (10) Cl.** **26-04**

(52) **U.S. Cl.**
USPC **D26/2**

(58) **Field of Classification Search**
USPC D26/1-4; 313/313, 315, 316, 317, 318,
313/493; 315/52, 53, 56, 57, 58
See application file for complete search history.

FIG. 1 is a perspective view of a “part of LED lamp” showing my new design;
FIG. 2 is a front view thereof;
FIG. 3 is a rear view thereof;
FIG. 4 is a left side view thereof;
FIG. 5 is a right side view thereof;
FIG. 6 is a top view thereof;
FIG. 7 is a bottom view thereof; and,
FIG. 8 is a perspective view viewed from another visual angle thereof.

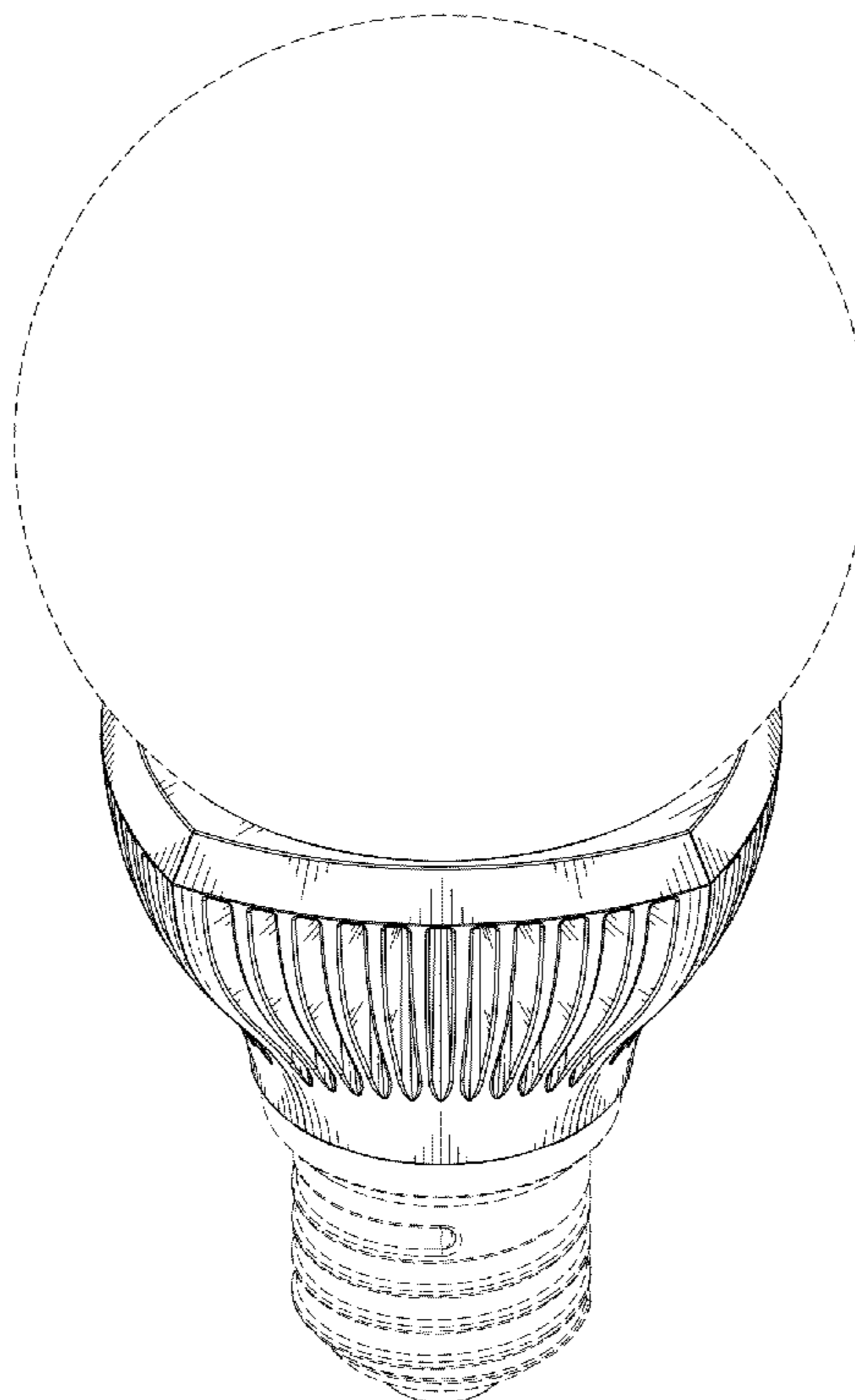
The broken lines depict portions of the part of LED lamp which form no part of the claimed design.

(56) **References Cited**

U.S. PATENT DOCUMENTS

D543,288 S * 5/2007 Bembridge D26/2
D558,904 S * 1/2008 Tsuruha et al. D26/2

1 Claim, 7 Drawing Sheets



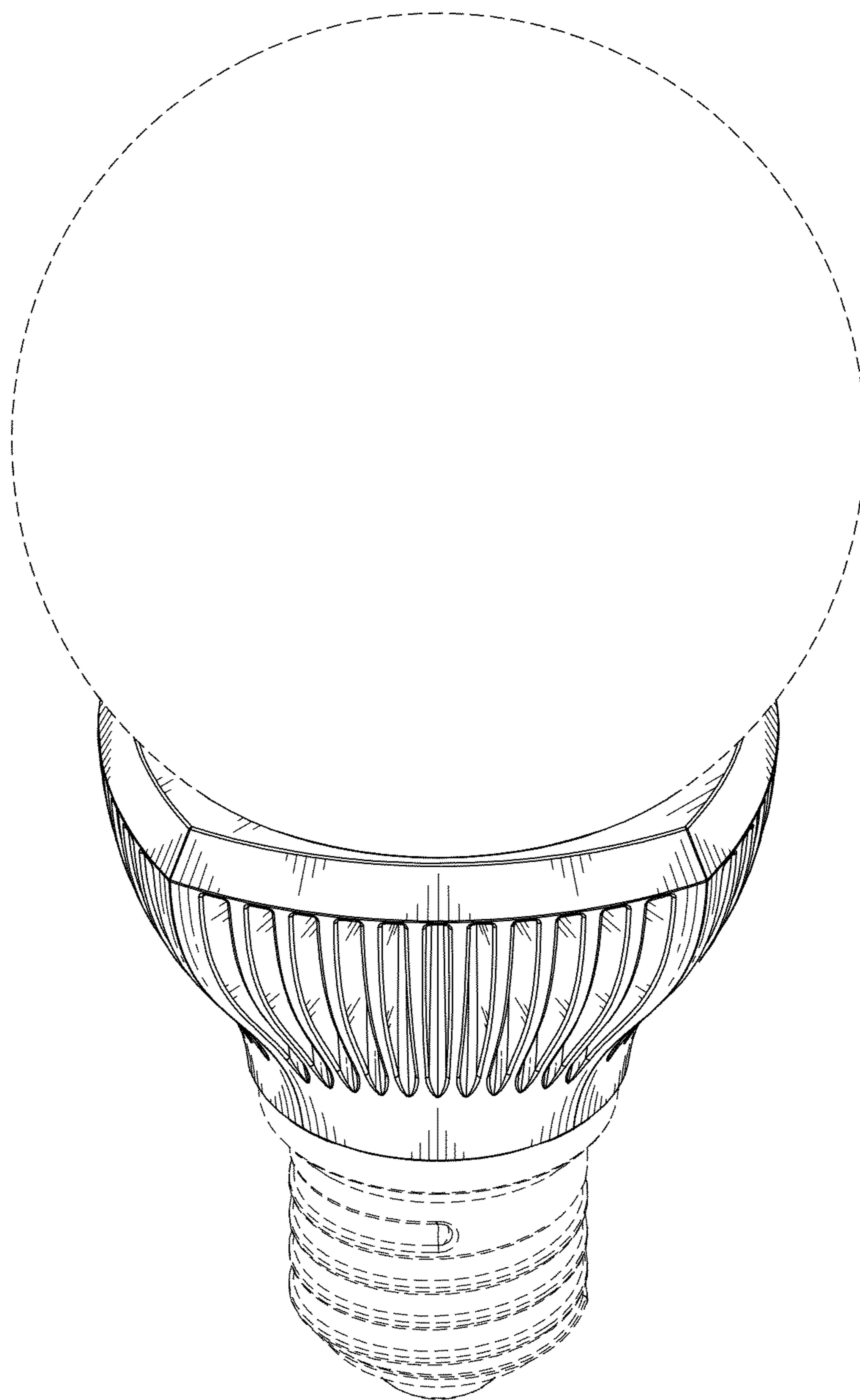


FIG. 1

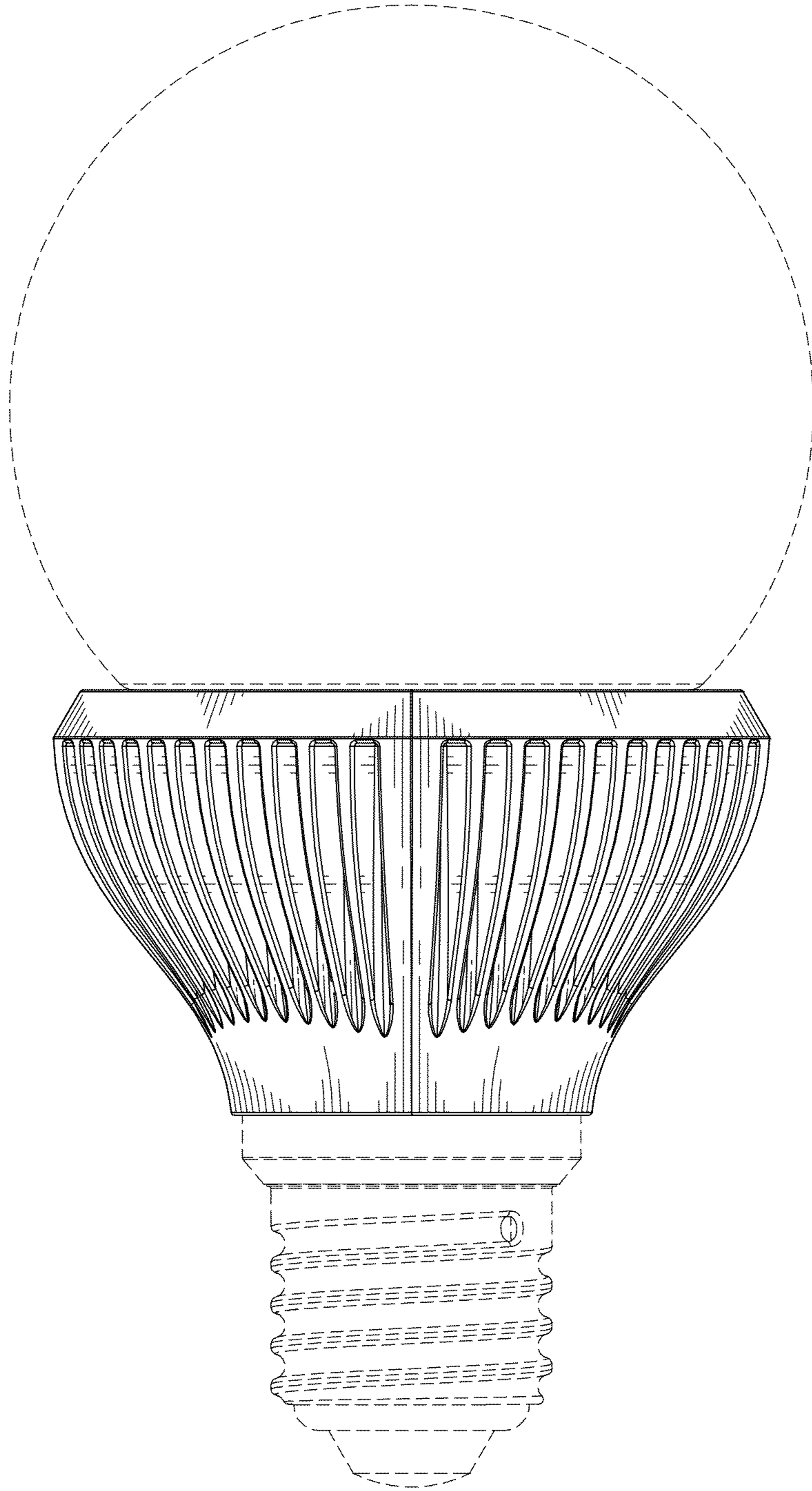


FIG. 2

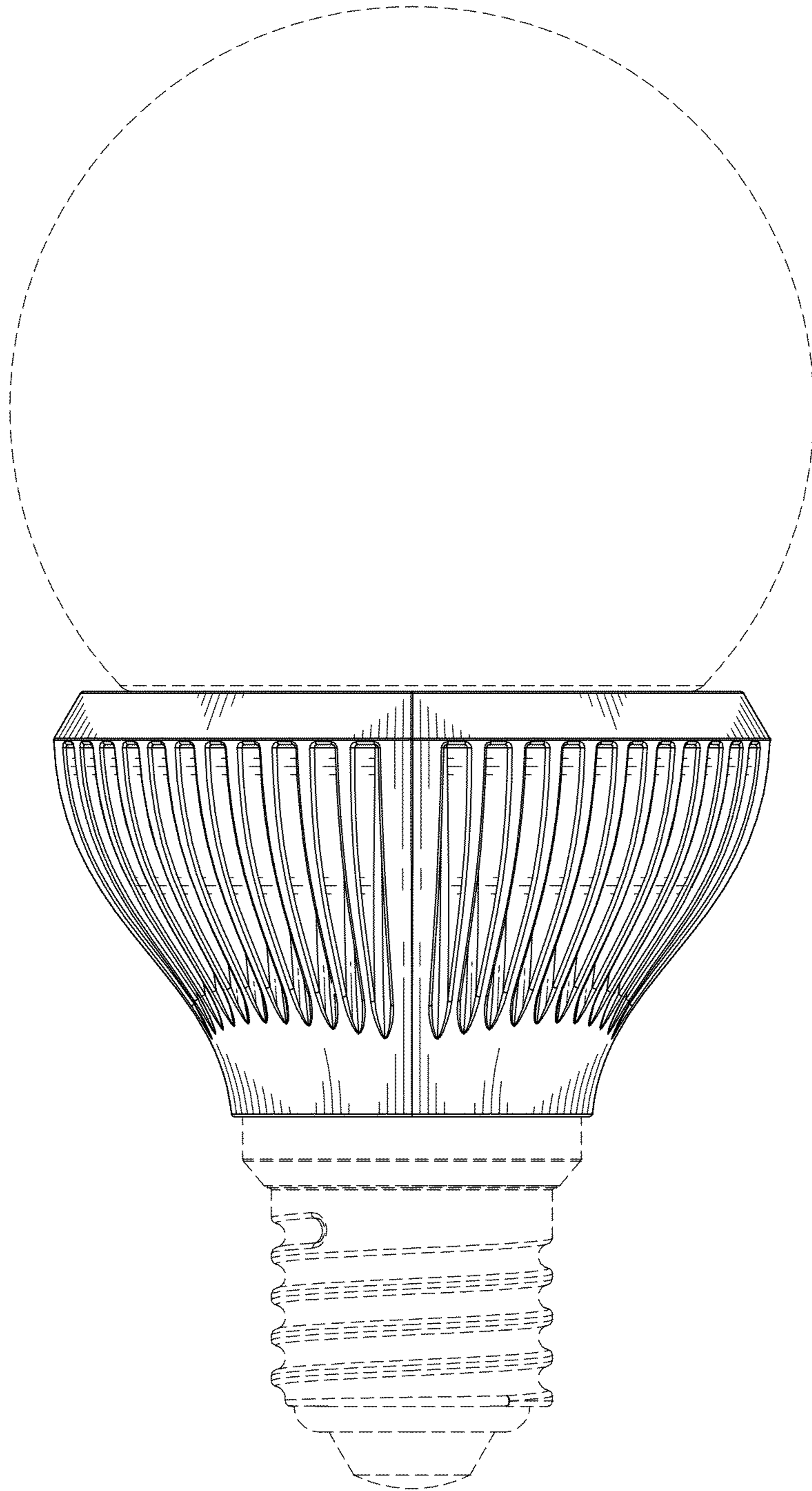


FIG.3

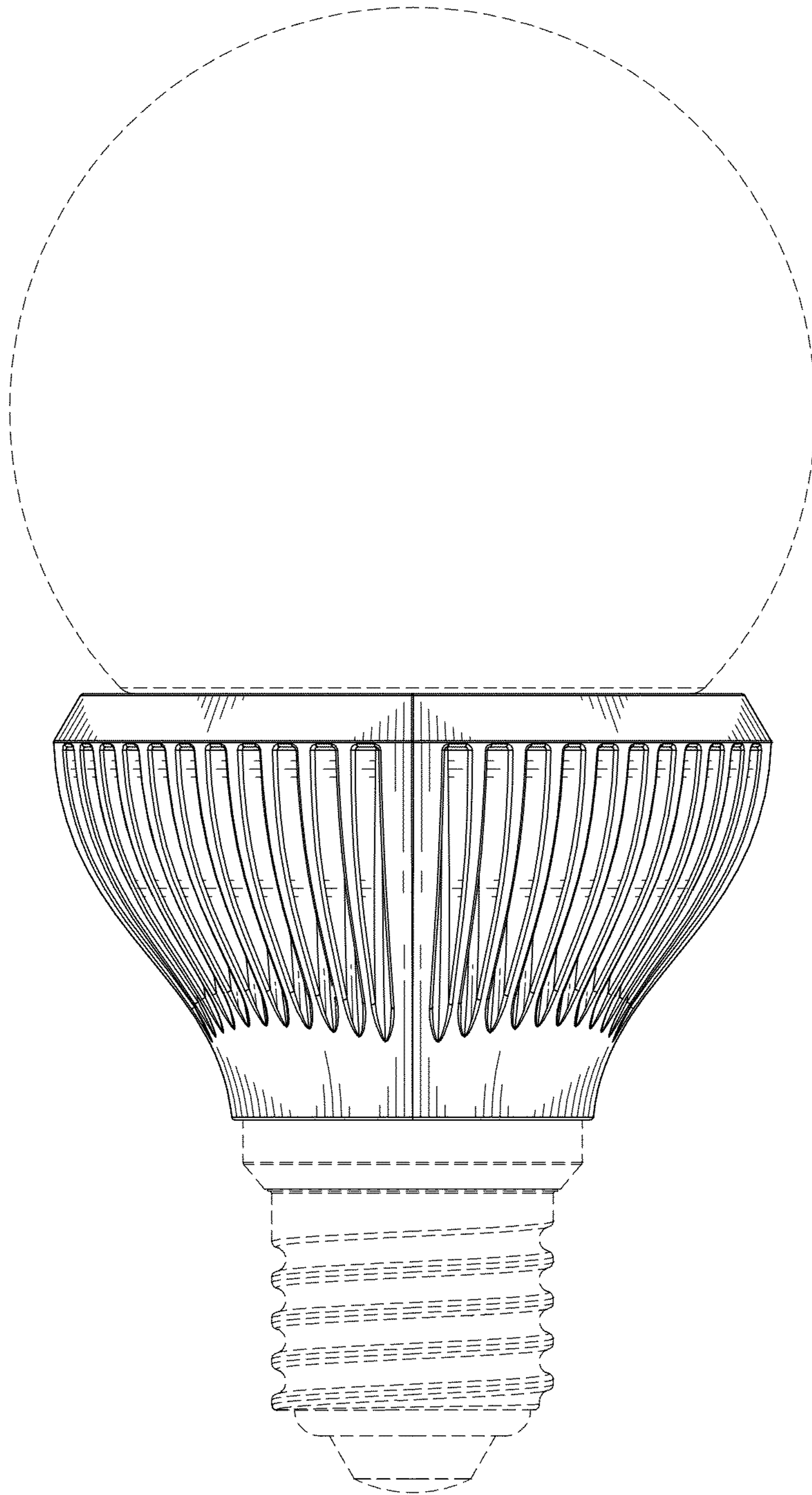


FIG.4

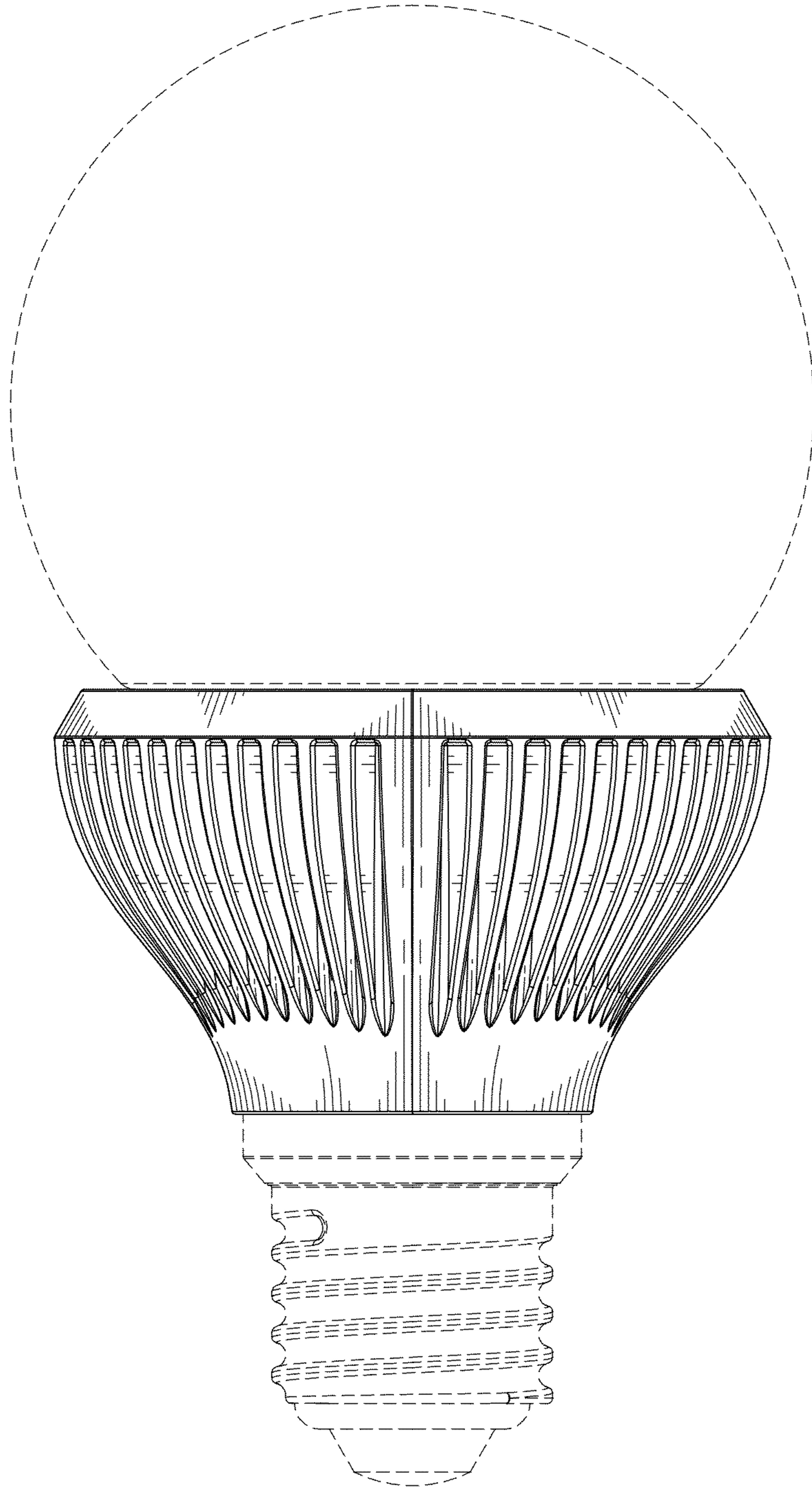


FIG.5

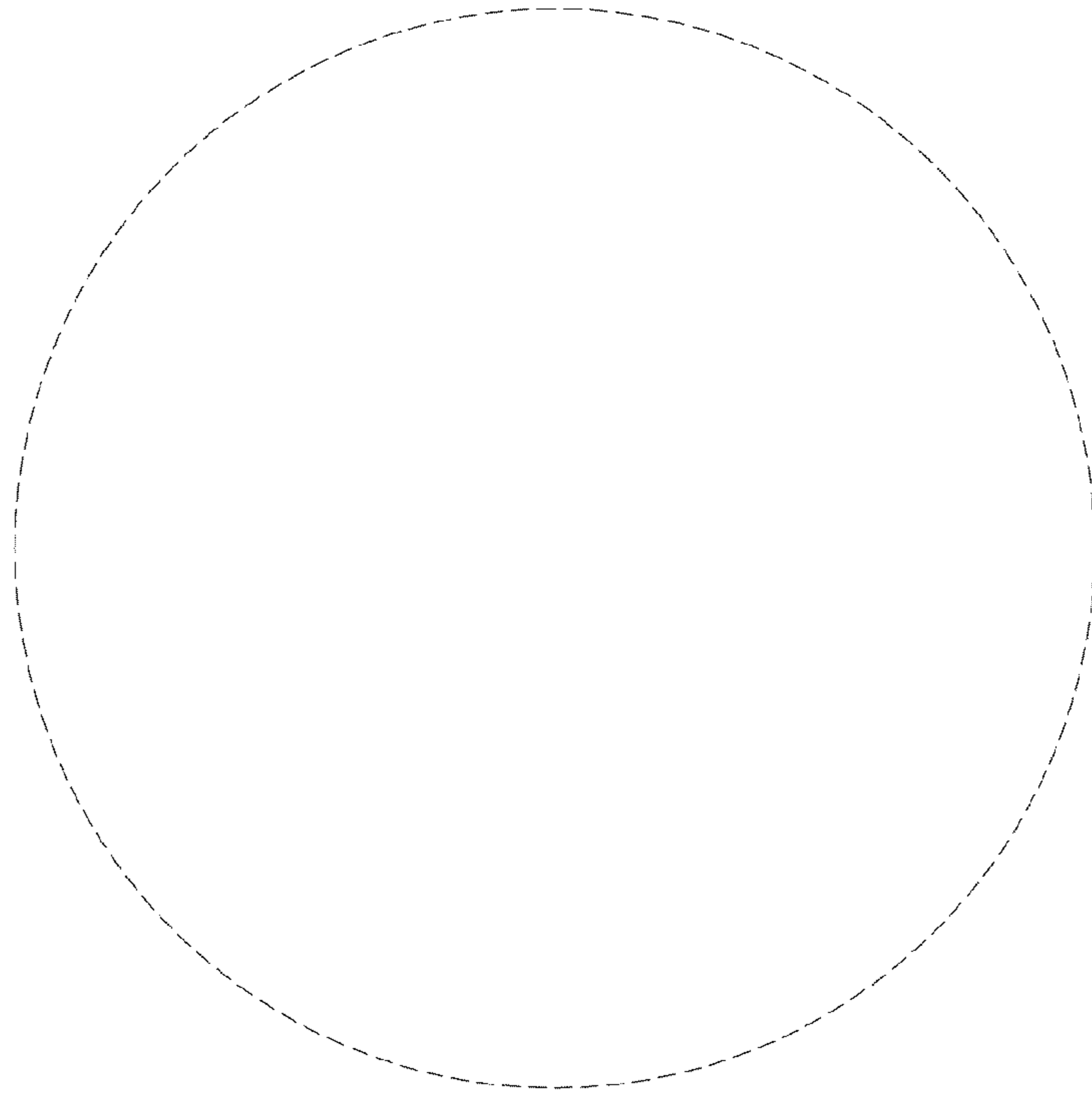


FIG. 6

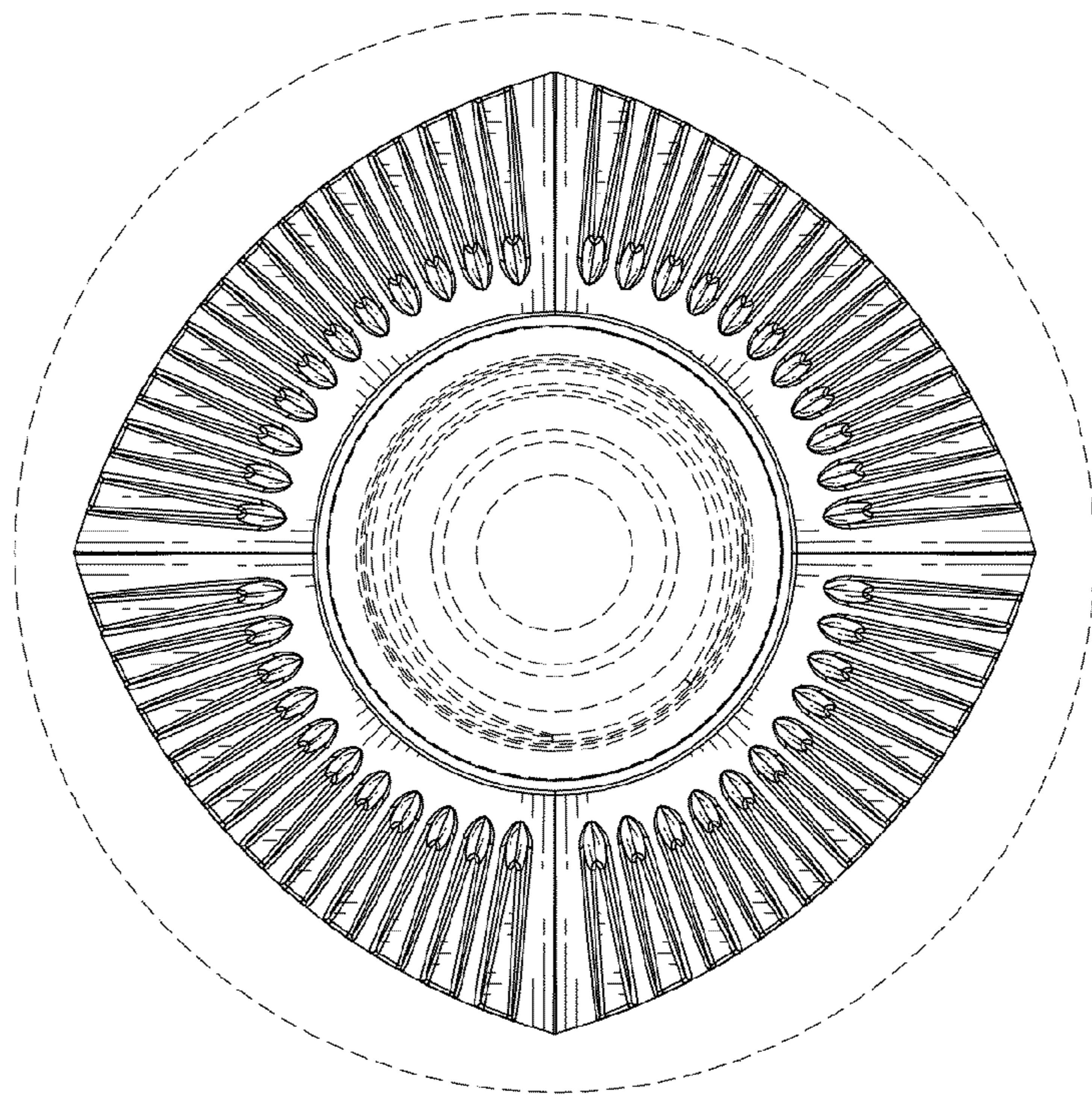


FIG. 7

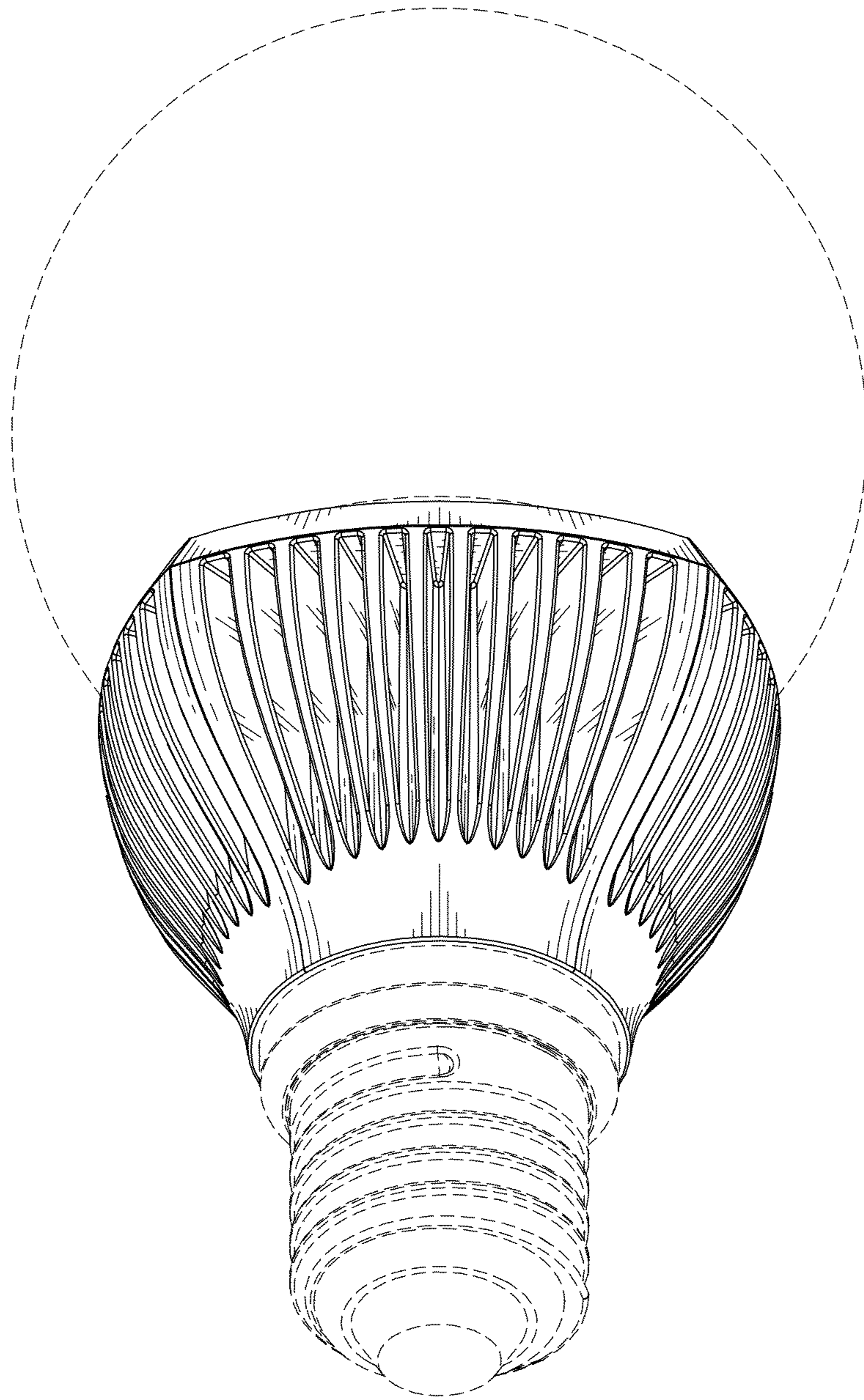


FIG.8