



US00D731091S

(12) **United States Design Patent**  
**Cheng et al.**

(10) **Patent No.:** **US D731,091 S**  
(45) **Date of Patent:** **\*\* Jun. 2, 2015**

(54) **LED UNIT**

(71) Applicant: **Formosa Epitaxy Incorporation**,  
Taoyuan County (TW)  
(72) Inventors: **Wei-Kang Cheng**, Taoyuan County  
(TW); **Chen-Hong Lee**, Taoyuan County  
(TW); **Chi-Chih Pu**, Taoyuan County  
(TW); **Shih-Chieh Tang**, Taoyuan  
County (TW); **Shyi-Ming Pan**, Taoyuan  
County (TW)

(73) Assignee: **Formosa Epitaxy Incorporation**,  
Taoyuan County (TW)

(\*\*) Term: **14 Years**

(21) Appl. No.: **29/461,967**

(22) Filed: **Jul. 30, 2013**

(30) **Foreign Application Priority Data**

Feb. 1, 2013 (TW) ..... 102300914

(51) **LOC (10) Cl.** ..... **26-04**

(52) **U.S. Cl.**  
USPC ..... **D26/1; D13/180**

(58) **Field of Classification Search**  
USPC ..... D26/1-4; D13/180; 257/79, 80, 81, 88,  
257/89, 90, 95-100; 362/249.02, 555, 802  
See application file for complete search history.

(56) **References Cited**

U.S. PATENT DOCUMENTS

7,585,090	B2 *	9/2009	Wu	.....	362/249.02
8,083,375	B2 *	12/2011	Kong	.....	362/249.02
D667,972	S *	9/2012	Sakamoto et al.	.....	D26/2
D668,365	S *	10/2012	Sakamoto et al.	.....	D26/2
8,282,240	B2 *	10/2012	Xiao et al.	.....	362/249.02
D671,240	S *	11/2012	Sakamoto et al.	.....	D26/2
8,752,983	B2 *	6/2014	Hussell et al.	.....	362/249.02

\* cited by examiner

*Primary Examiner* — Marcus Jackson

(74) *Attorney, Agent, or Firm* — Jianq Chyun IP Office

(57) **CLAIM**

The ornamental design for a LED unit, as shown and described.

**DESCRIPTION**

FIG. 1 is a perspective view of an LED unit showing our new design;

FIG. 2 is a front view thereof;

FIG. 3 is a rear view thereof;

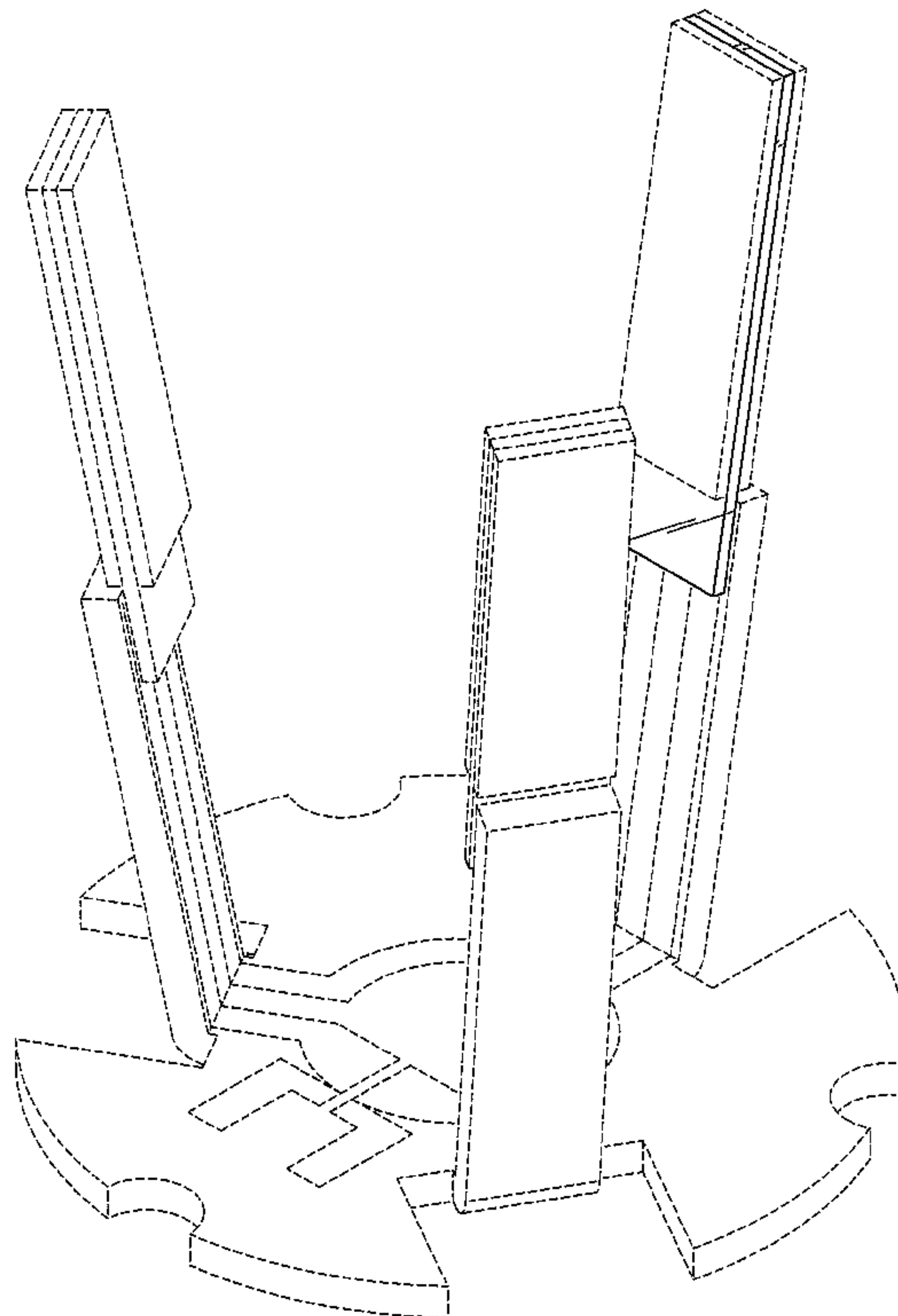
FIG. 4 is a left side view thereof;

FIG. 5 is a right side view thereof; and,

FIG. 6 is a top view thereof.

The broken line portions of the LED unit in all views represent unclaimed portions of the claimed design and form no part thereof.

**1 Claim, 6 Drawing Sheets**



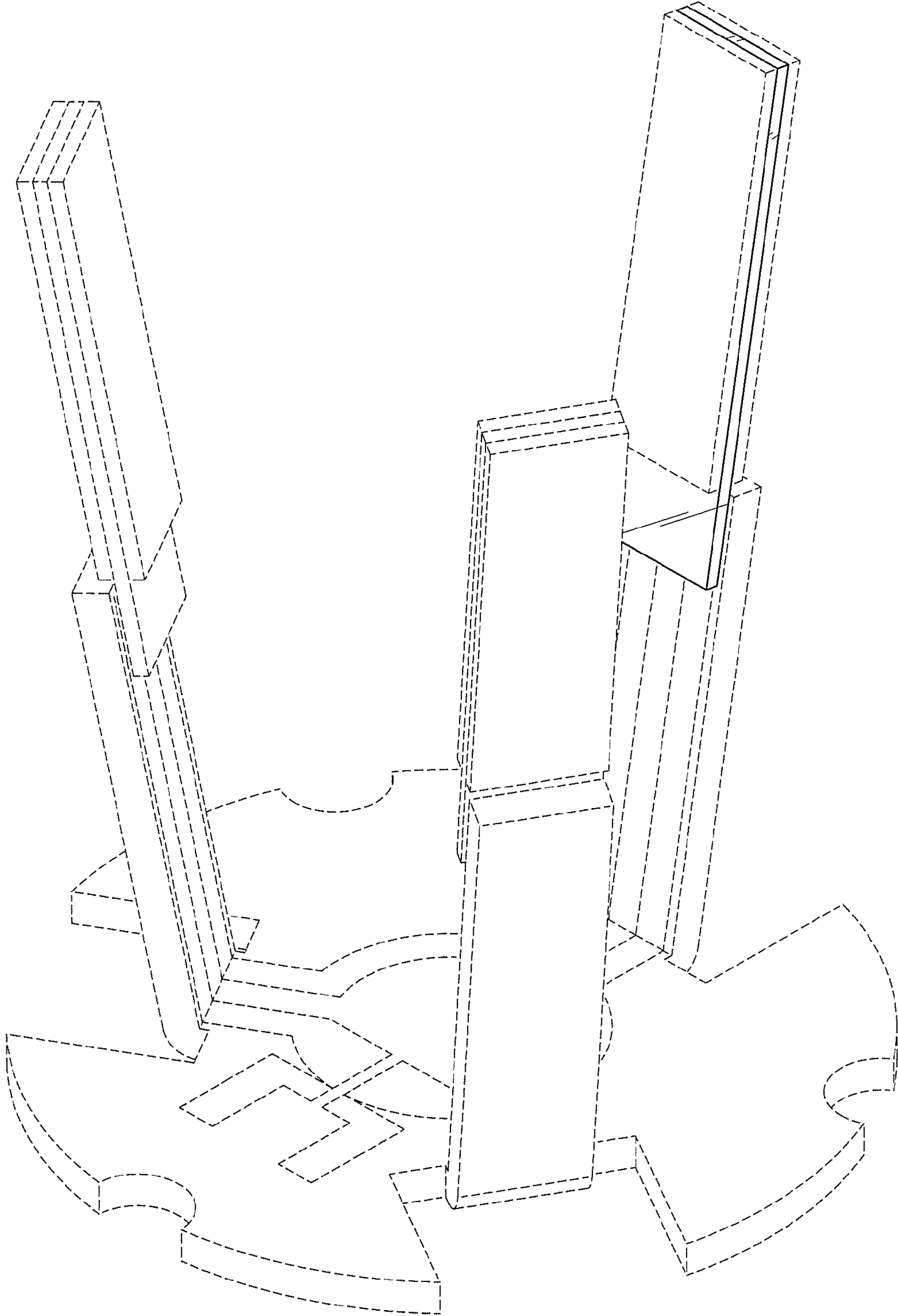


FIG. 1

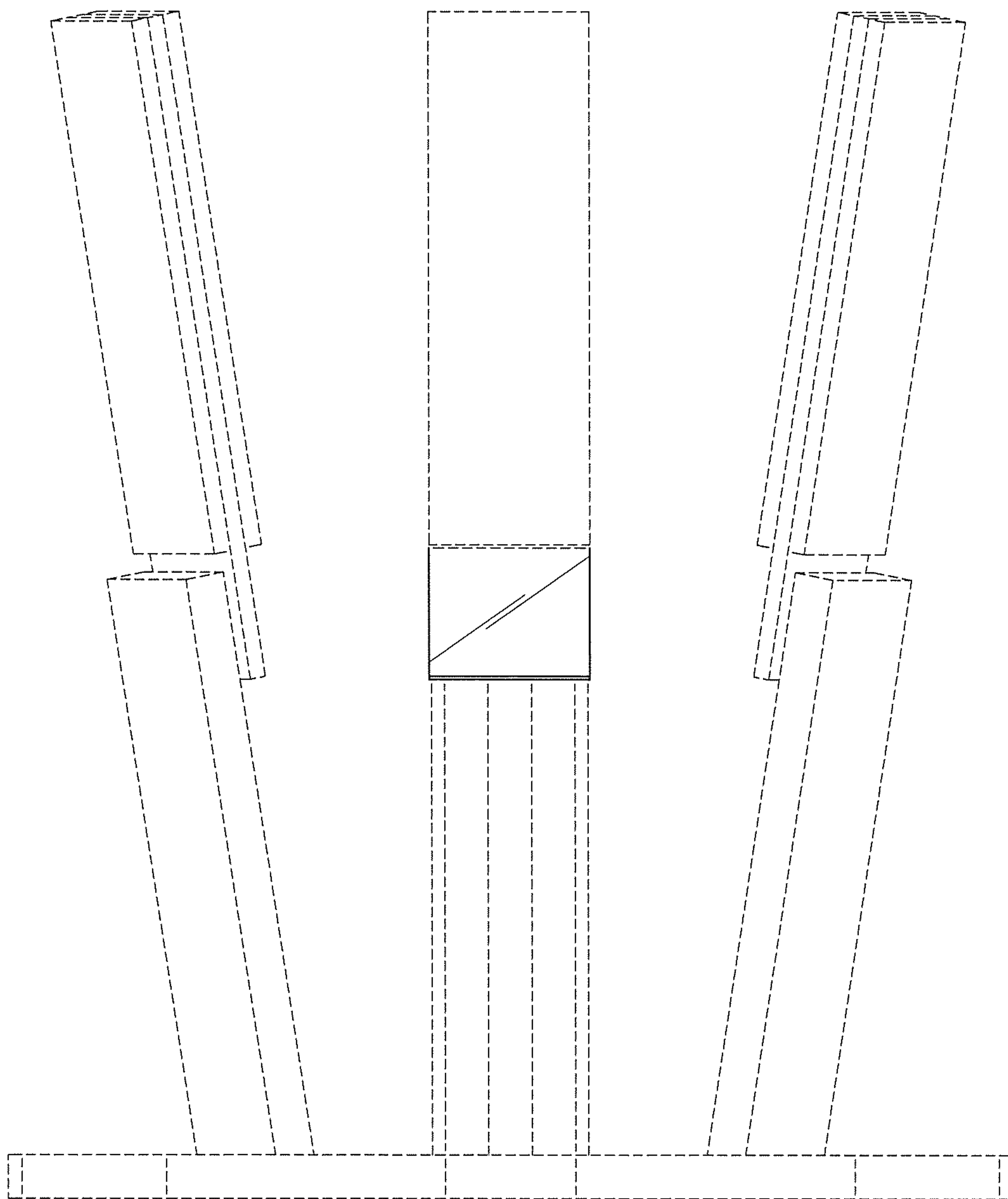


FIG. 2

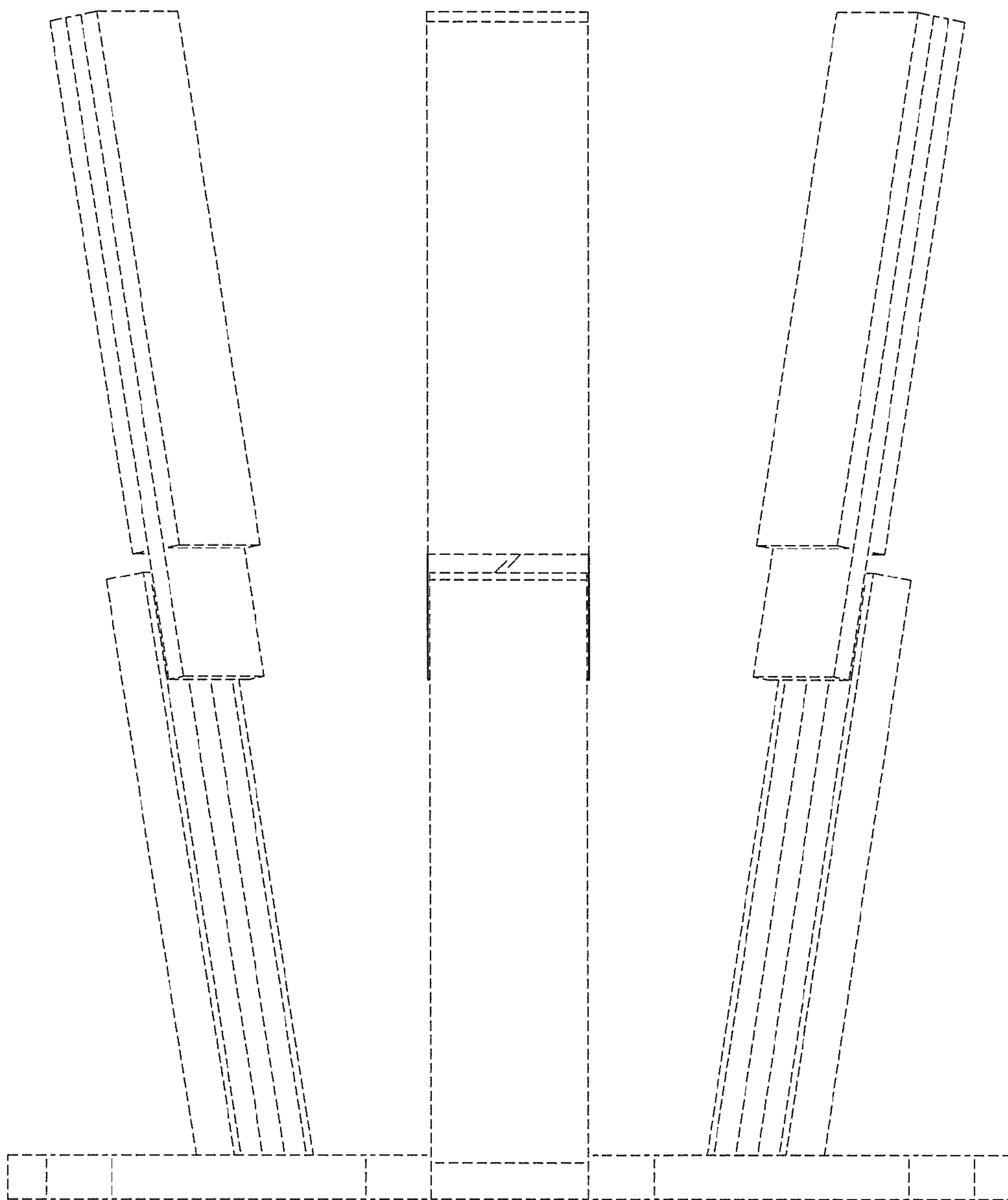


FIG. 3

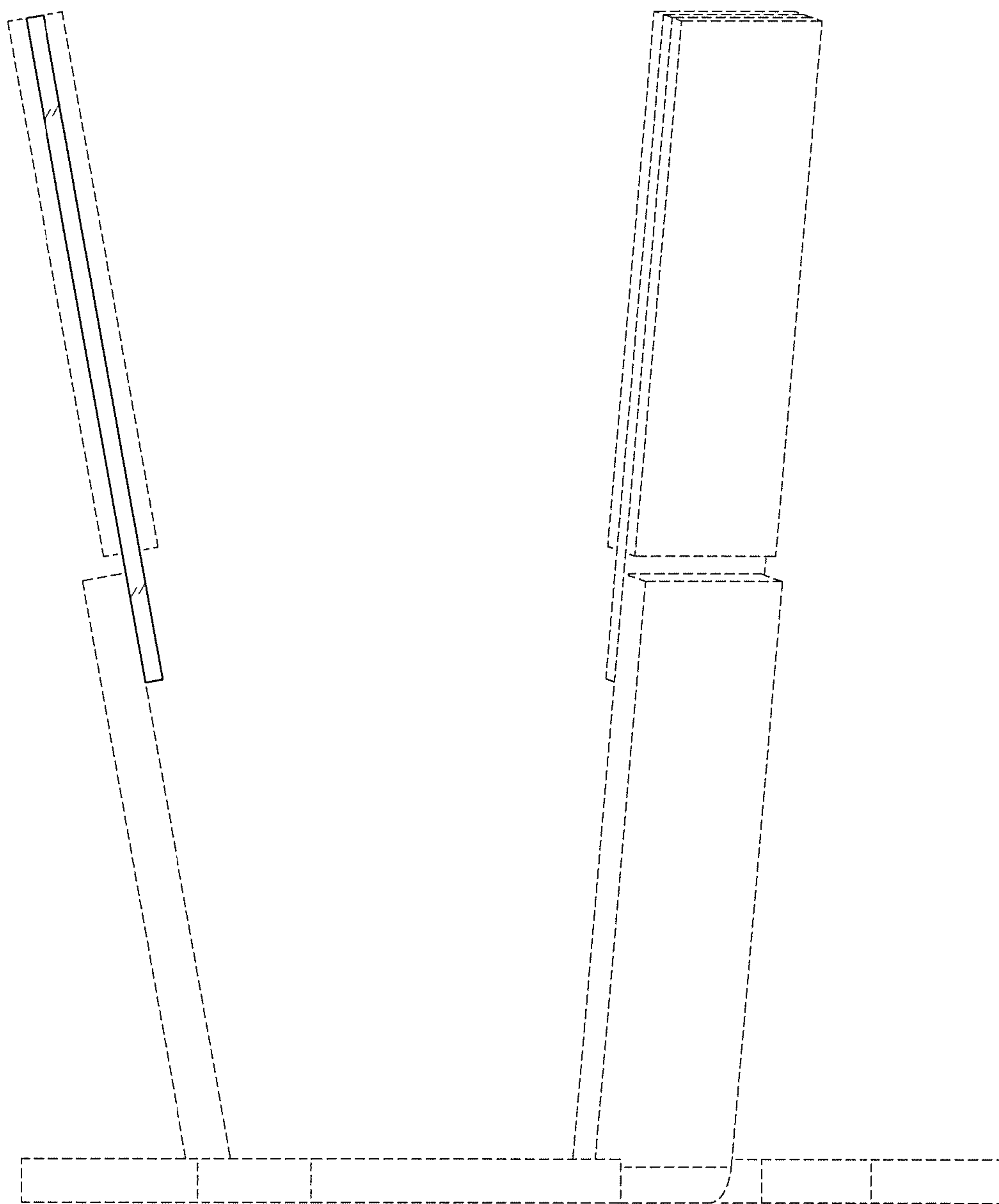


FIG. 4

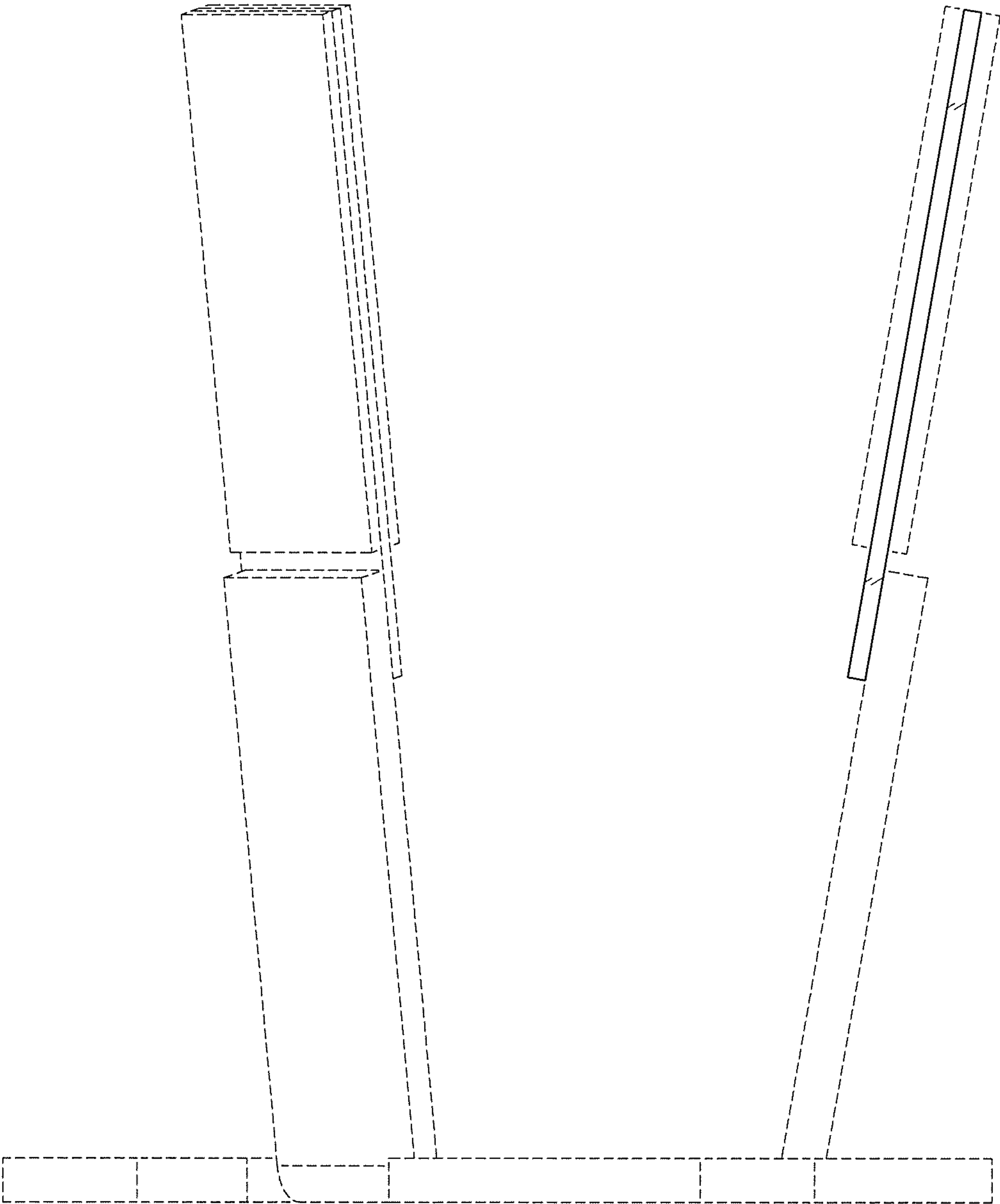


FIG. 5

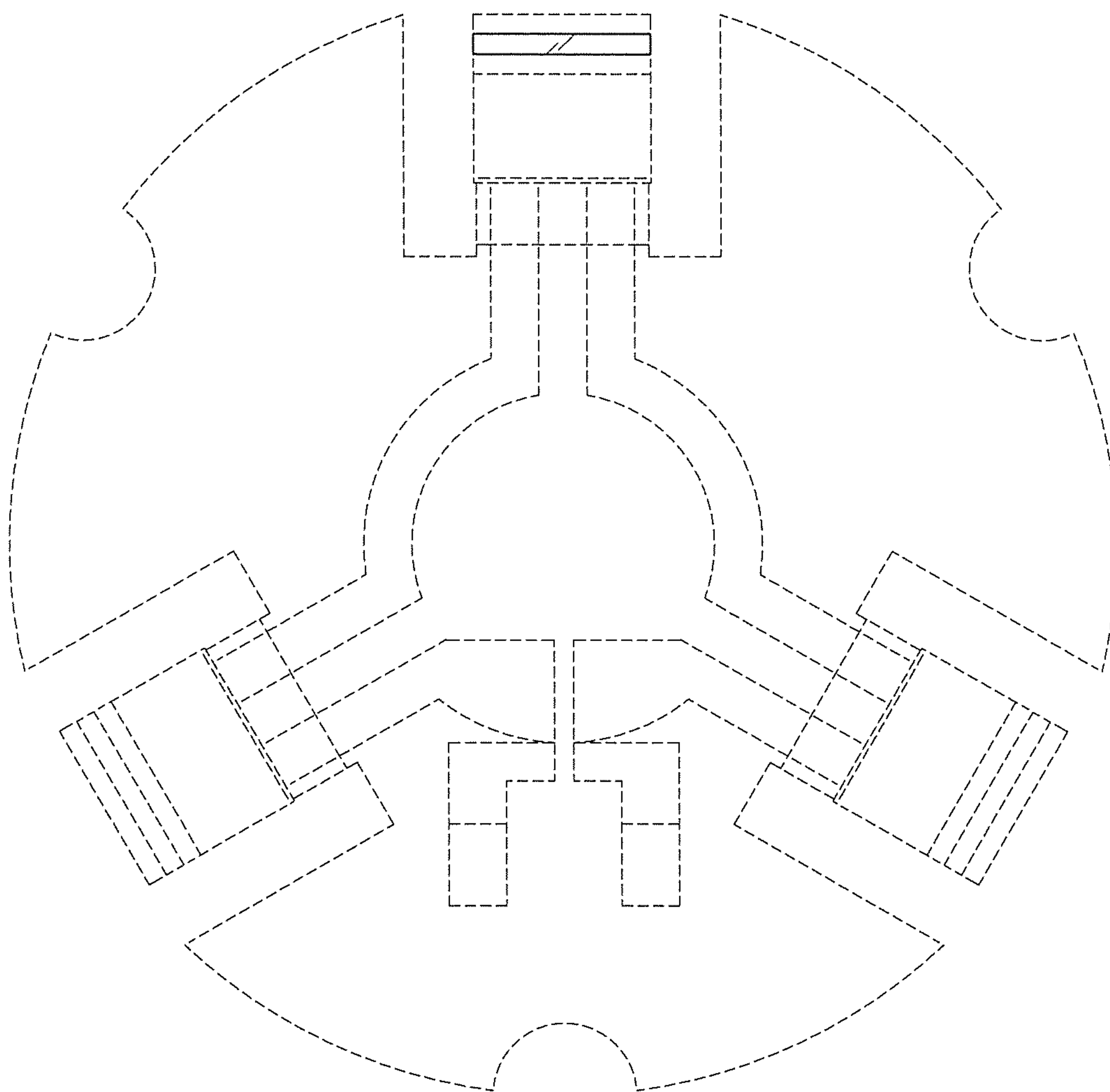


FIG. 6