



US00D731081S

(12) **United States Design Patent**  
**Metcalf et al.**

(10) **Patent No.:** **US D731,081 S**  
(45) **Date of Patent:** **\*\* Jun. 2, 2015**

- (54) **PANEL WITH TRIBE PATTERN**
- (71) Applicant: **3form, Inc.**, Salt Lake City, UT (US)
- (72) Inventors: **Elizabeth Egan Metcalf**, Salt Lake City, UT (US); **Jill A. Canales**, Salt Lake City, UT (US)
- (73) Assignee: **3form, LLC**, Salt Lake City, UT (US)
- (\*\*) Term: **14 Years**
- (21) Appl. No.: **29/484,871**
- (22) Filed: **Mar. 13, 2014**

(56) **References Cited**

U.S. PATENT DOCUMENTS

D27,322	S	*	7/1897	Hartung	.....	D25/104
798,972	A		9/1905	Ott		
4,975,307	A		12/1990	Sollogoub		
D361,392	S		8/1995	Wilkening		
6,306,510	B1		10/2001	Verlinden		
D631,988	S		2/2011	Martin		

\* cited by examiner

*Primary Examiner* — Doris Clark  
(74) *Attorney, Agent, or Firm* — Workman Nydegger

(57) **CLAIM**  
The ornamental design for a panel with tribe pattern, as shown and described.

**Related U.S. Application Data**

- (63) Continuation-in-part of application No. 29/450,898, filed on Mar. 25, 2013, now Pat. No. Des. 716,967.
- (51) **LOC (10) Cl.** ..... **25-01**
- (52) **U.S. Cl.**  
USPC ..... **D25/104; D6/332; D25/138**
- (58) **Field of Classification Search**  
USPC ..... D25/111, 138-145, 150-153, 156, 157, D25/163, 199, 102-105, 110, 58; D5/20, D5/24, 32, 54, 4, 7; 156/63; 52/81.4, 81.5, 52/81.6, 747.1, 783.11, 311.1, 313, 311.2, 52/316, 239, 241, 481.2, 789.1, 788.1; 428/34, 34.1-34.9, 35.7, 36.1-36.4, 428/67, 446, 542.2, 542.6, 902, 904.4, 143, 428/147, 13, 332, 335, 336, 339, 480, 483, 428/195.1, 38, 46, 49, 42.1, 907.7, 40.4; D6/332

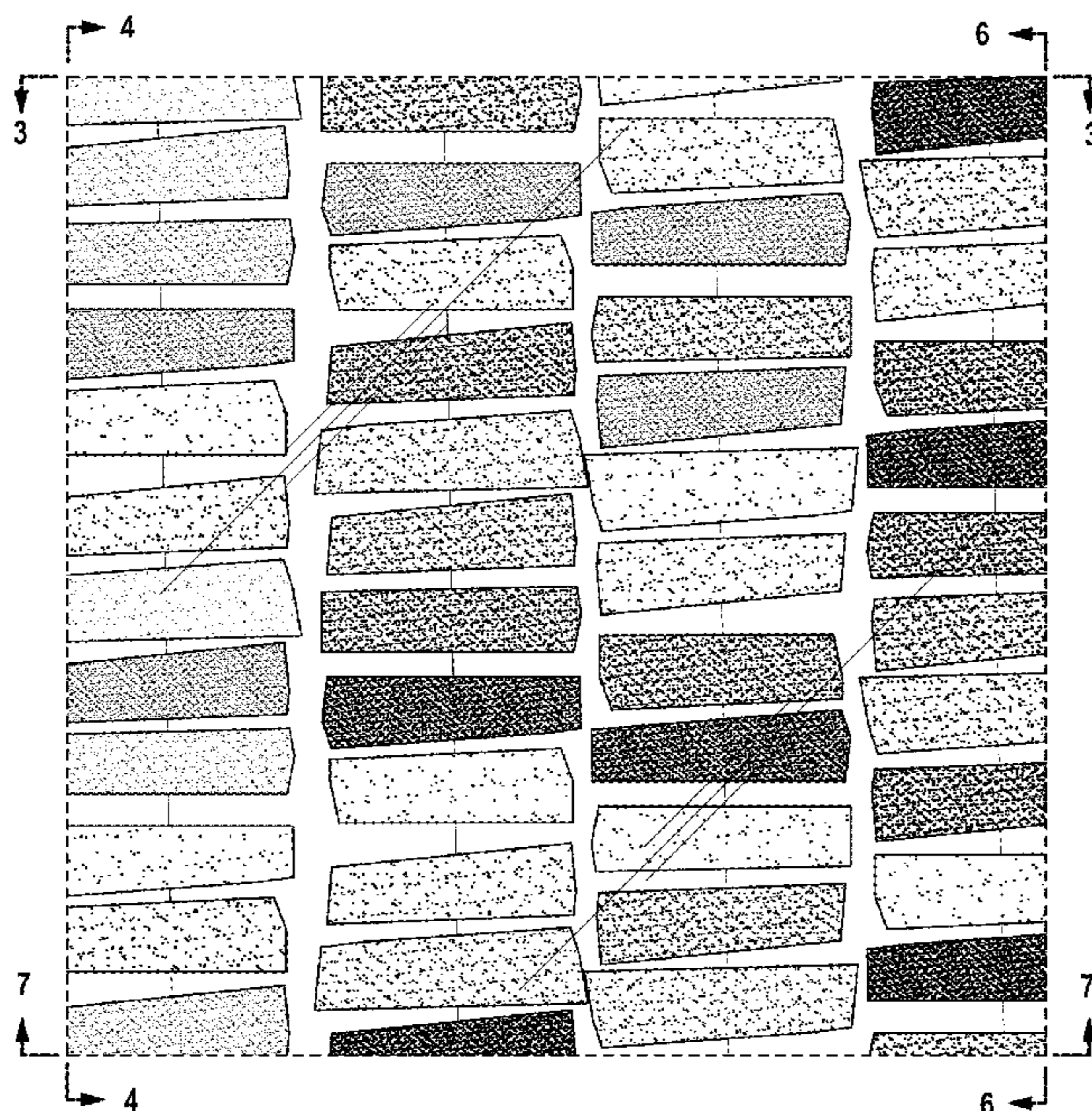
See application file for complete search history.

**DESCRIPTION**

FIG. 1 is a front view of a panel with tribe pattern, shown used in a partition structure;  
 FIG. 2 is an enlarged perspective view of the panel with tribe pattern in FIG. 1;  
 FIG. 3 is an enlarged top plan view taken along line 3-3 of FIG. 5;  
 FIG. 4 is an enlarged left side elevation view taken along line 4-4 of FIG. 5;  
 FIG. 5 is an enlarged front elevation view, the rear being a mirror image thereof;  
 FIG. 6 is an enlarged right side elevation view taken along line 6-6 of FIG. 5; and  
 FIG. 7 is an enlarged bottom plan view taken along line 7-7 of FIG. 5.

The broken lines showing environment in the drawings are included for illustrative purposes only and form no part of the claimed design.

**1 Claim, 3 Drawing Sheets**



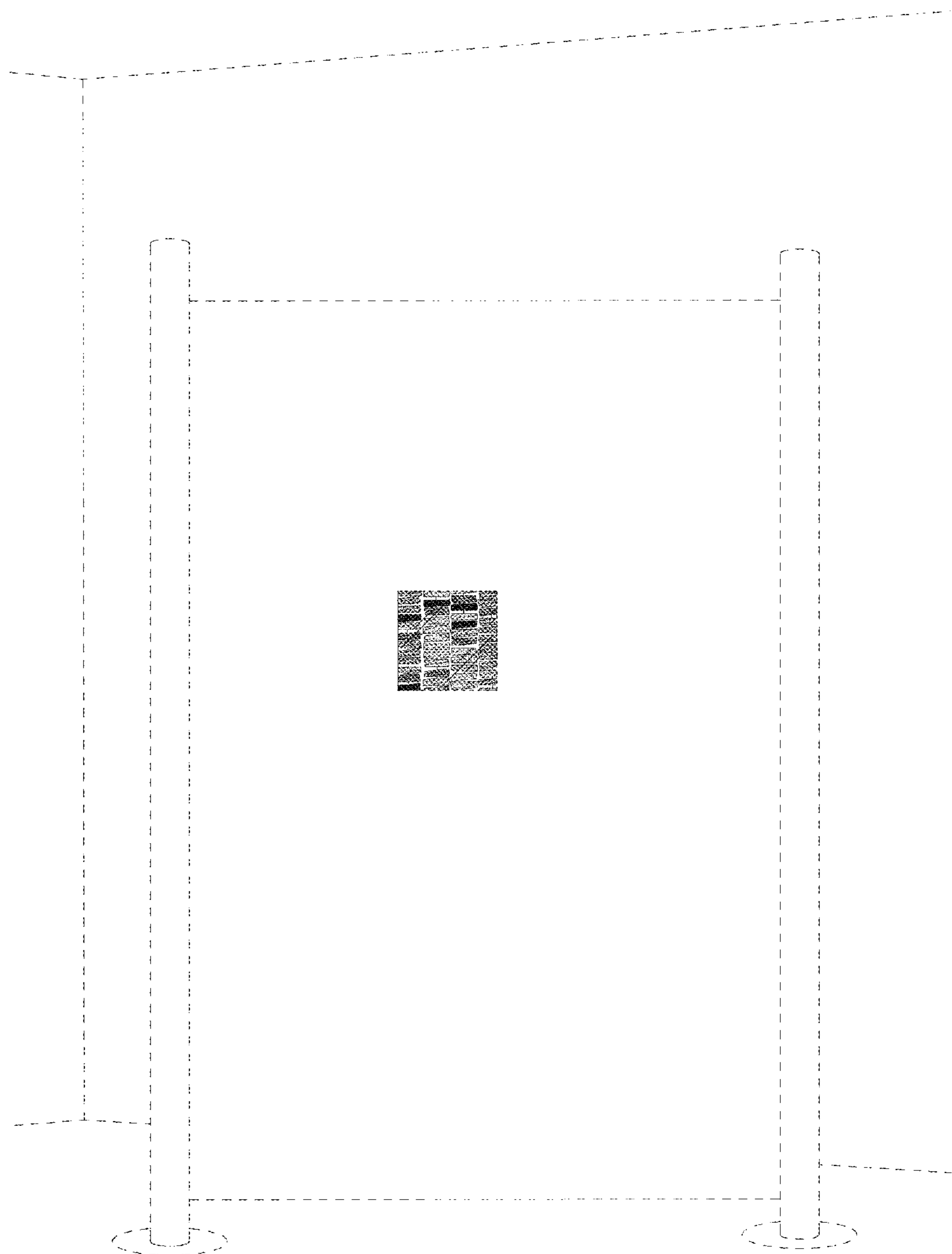


FIG. 1

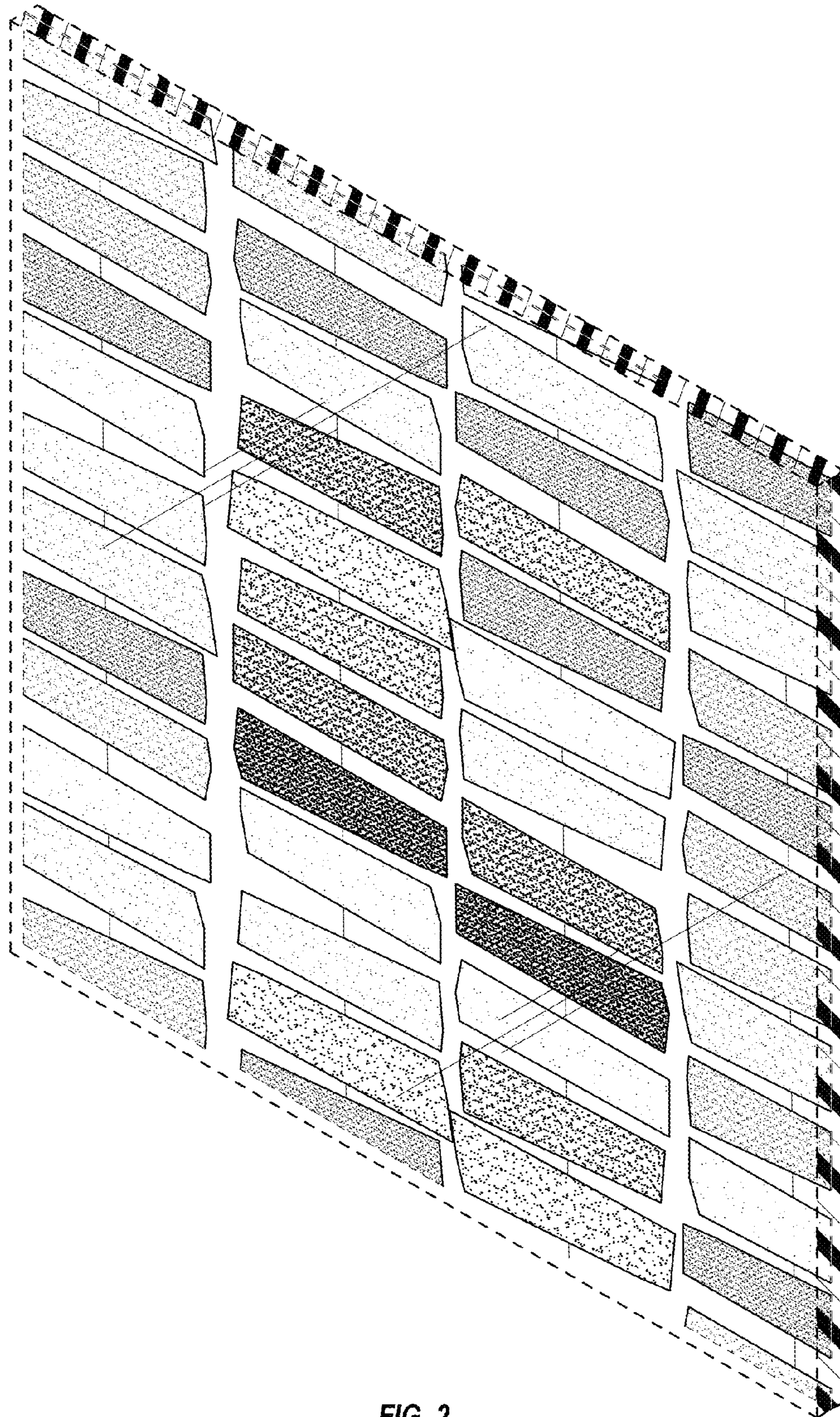


FIG. 2

