



US00D731080S

(12) **United States Design Patent**  
**Poplawski et al.**

(10) **Patent No.:** **US D731,080 S**

(45) **Date of Patent:** **\*\* Jun. 2, 2015**

(54) **MOVABLE PLATFORM**

(71) Applicants: **John Raman Poplawski**, Hawthorn Woods, IL (US); **Evelyn Kay Bennett**, Lake Forest, IL (US); **Benn Bjorn Stutrud**, Libertyville, IL (US); **Suraj Subrit Prakash**, Mundelein, IL (US)

(72) Inventors: **John Raman Poplawski**, Hawthorn Woods, IL (US); **Evelyn Kay Bennett**, Lake Forest, IL (US); **Benn Bjorn Stutrud**, Libertyville, IL (US); **Suraj Subrit Prakash**, Mundelein, IL (US)

(73) Assignee: **WILLIAM FRICK & COMPANY**, Libertyville, IL (US)

(\*\*) Term: **14 Years**

(21) Appl. No.: **29/450,240**

(22) Filed: **Mar. 15, 2013**

(51) **LOC (10) Cl.** ..... **25-04**

(52) **U.S. Cl.**  
USPC ..... **D25/62**

(58) **Field of Classification Search**  
USPC ..... D25/62, 61, 66; 182/84, 112, 119, 128,  
182/141, 144, 222

See application file for complete search history.

(56) **References Cited**

U.S. PATENT DOCUMENTS

D322,131 S	*	12/1991	Eickhoff .....	D25/62
D464,144 S	*	10/2002	Peterson .....	D25/62
D495,426 S	*	8/2004	Yamaoka .....	D25/66
D596,317 S	*	7/2009	Favell .....	D25/62
D621,959 S	*	8/2010	Klockler .....	D25/62
D660,457 S	*	5/2012	Lombard et al. ....	D25/62
D704,858 S	*	5/2014	Green .....	D25/62

\* cited by examiner

*Primary Examiner* — Catheri Oliver-Garcia

(74) *Attorney, Agent, or Firm* — Justin Lampel

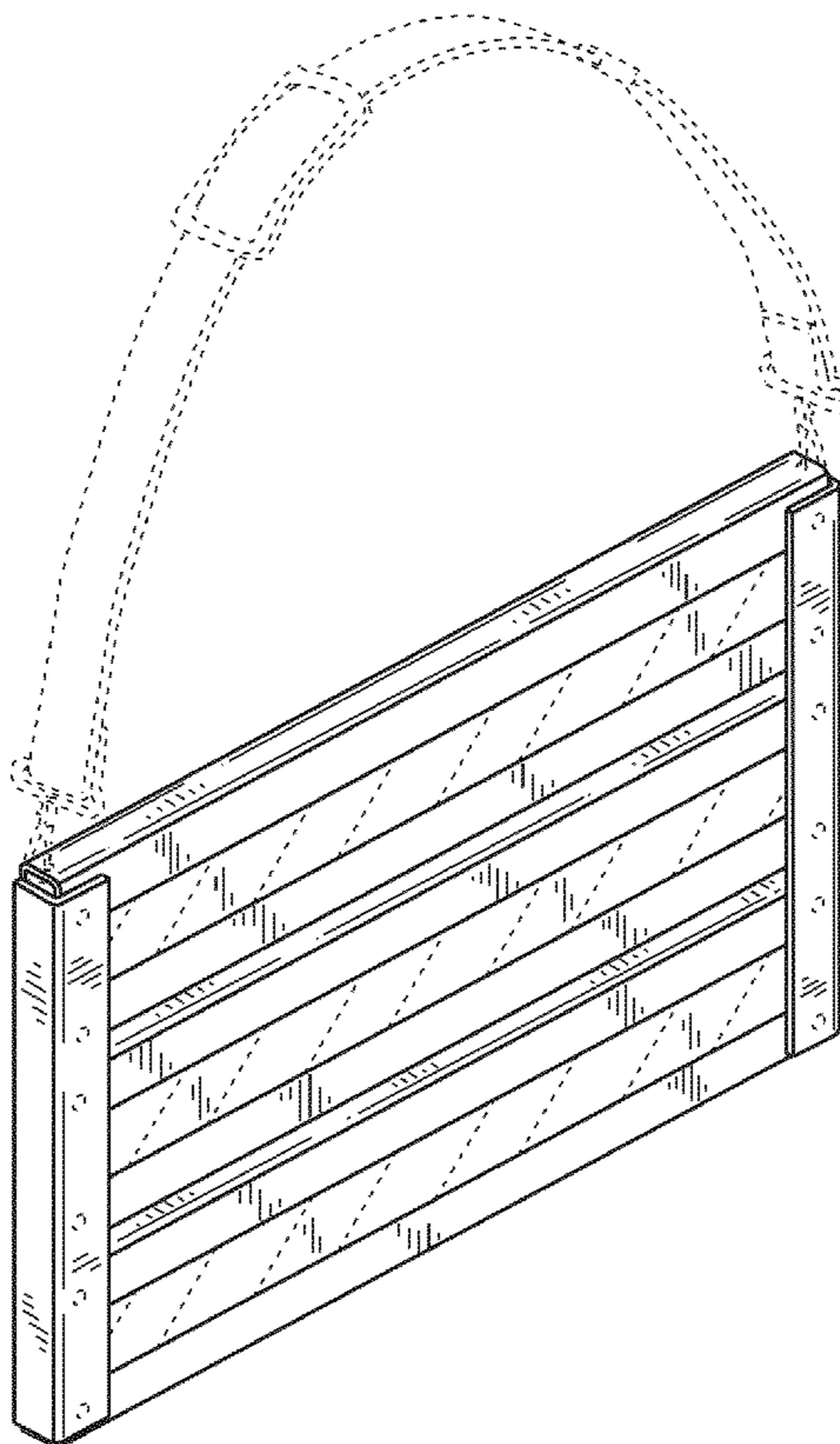
(57) **CLAIM**

The ornamental design for a movable platform, as shown and described.

**DESCRIPTION**

FIG. 1 is a top perspective view of the movable platform; FIG. 2 is a top plan view of the movable platform; FIG. 3 is a bottom plan view of the movable platform; FIG. 4 is a side elevation view of the movable platform; and, FIG. 5 is a front elevation view of the movable platform. The broken line showing is for illustrative purposes only and forms no part of the claimed design.

**1 Claim, 3 Drawing Sheets**



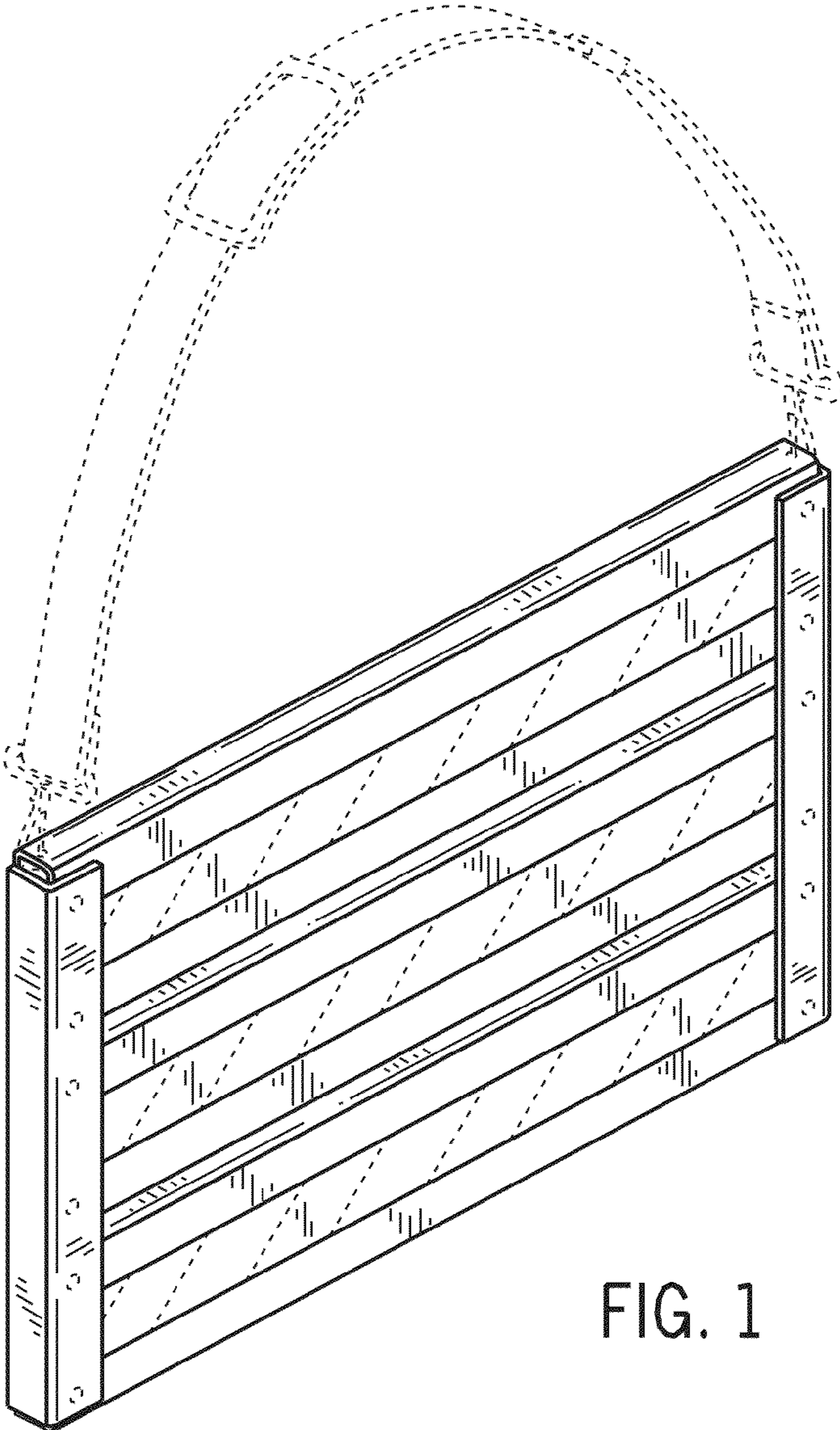


FIG. 1

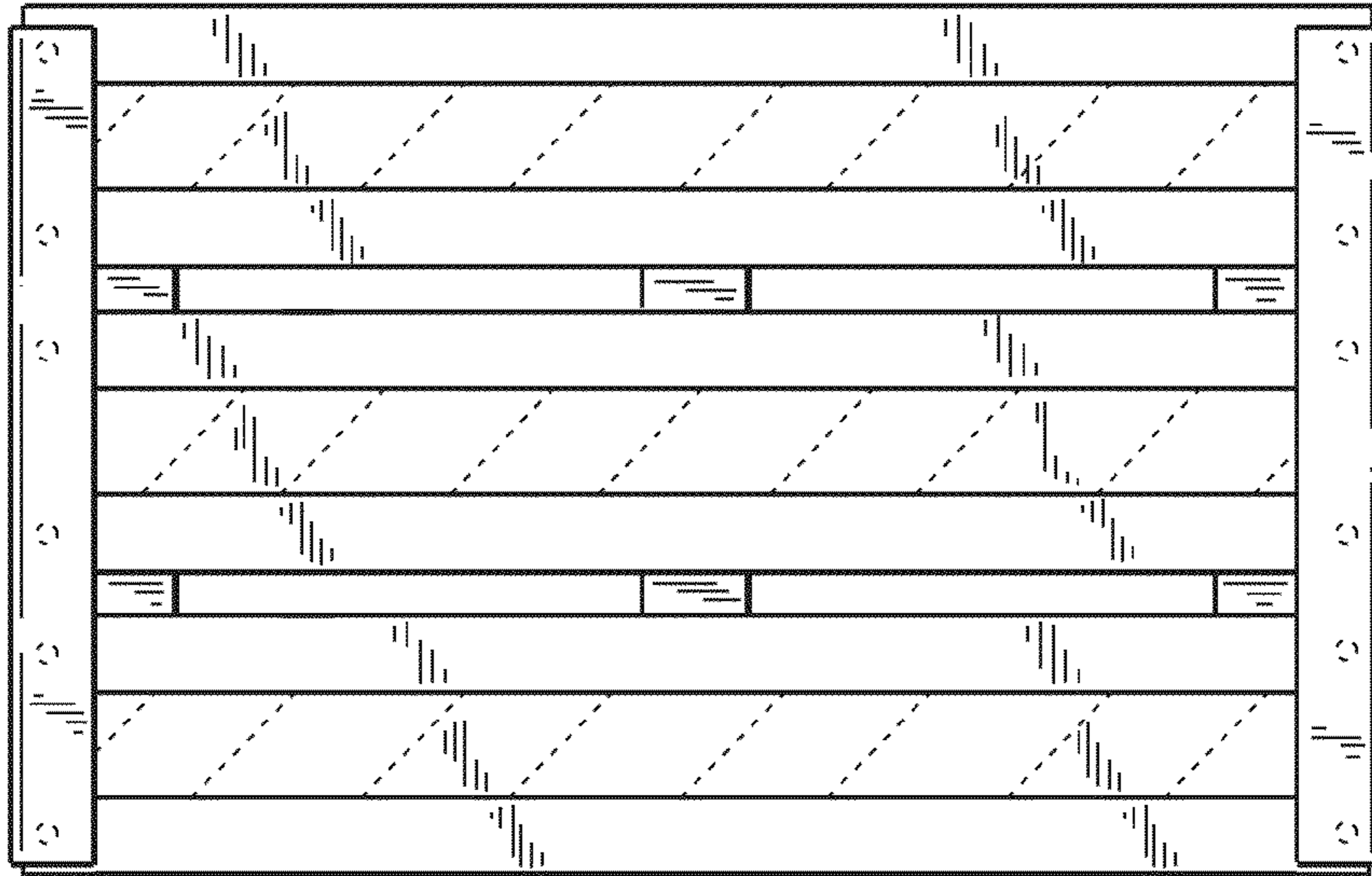


FIG. 2

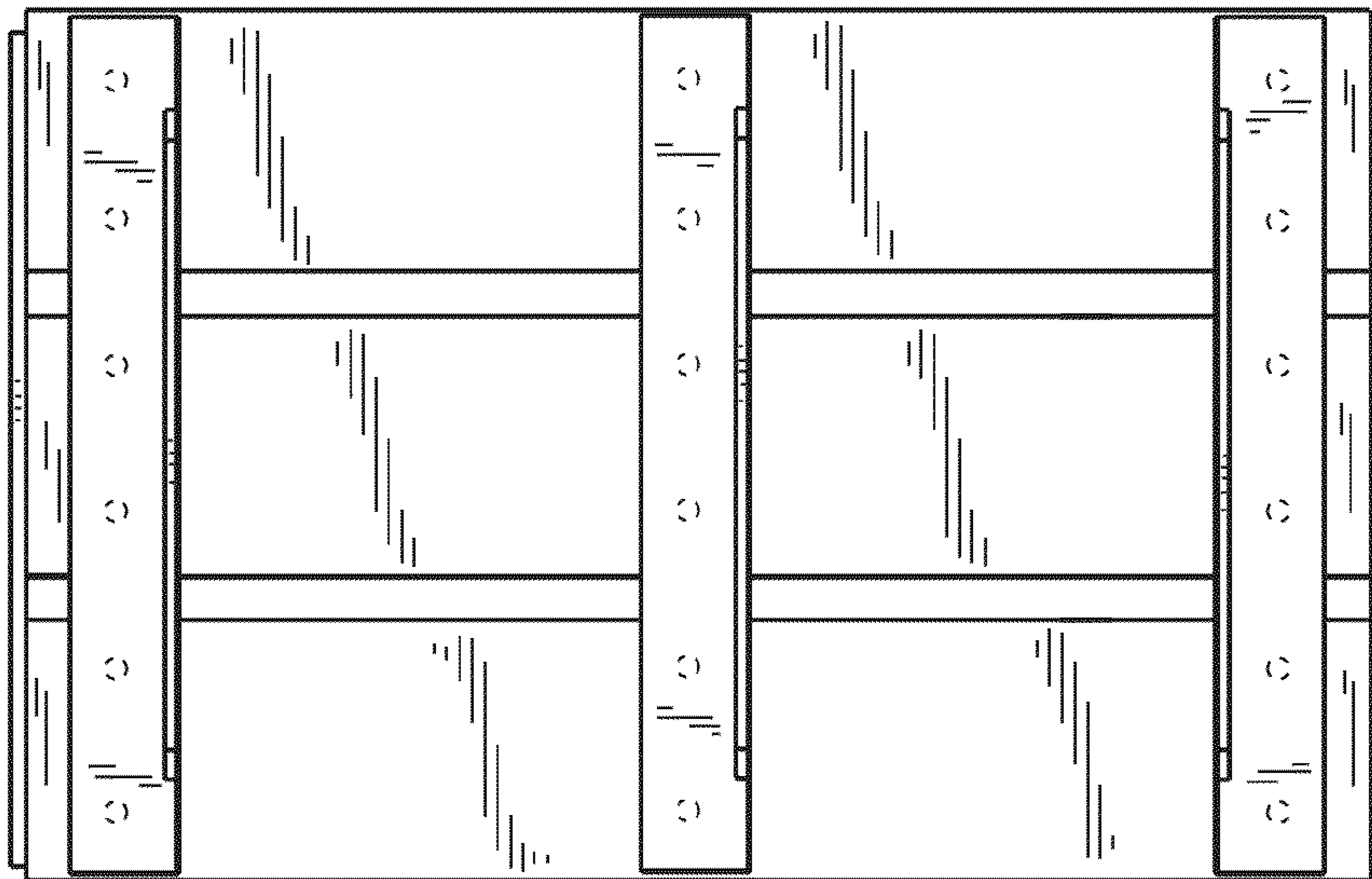


FIG. 3

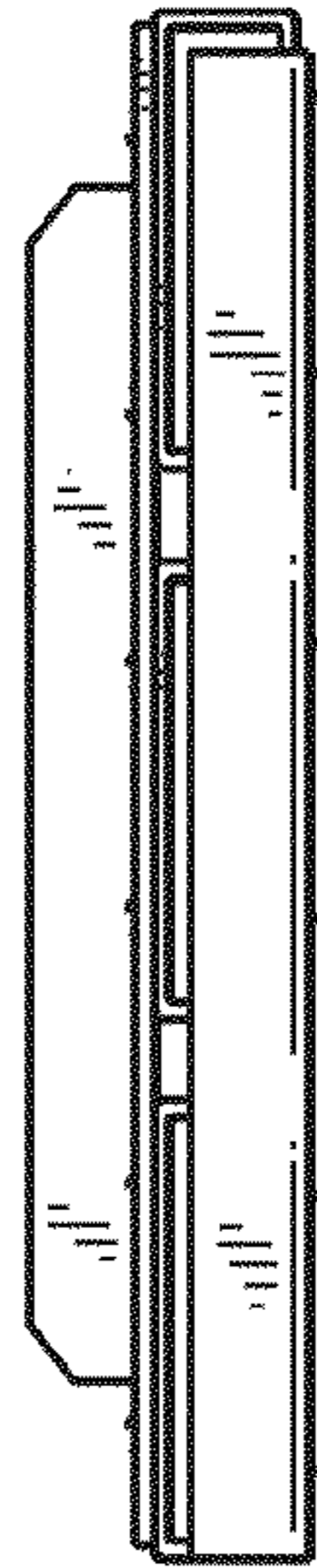


FIG. 4

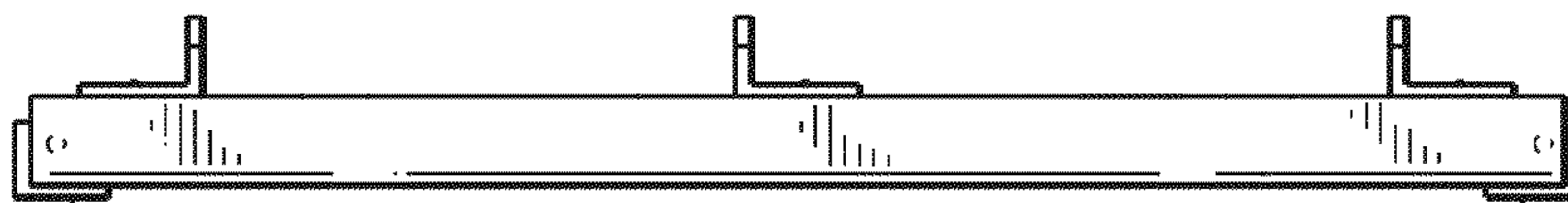


FIG. 5