



US00D731079S

(12) **United States Design Patent**
Rowley et al.

(10) **Patent No.:** **US D731,079 S**
(45) **Date of Patent:** **** Jun. 2, 2015**

(54) **LATH**

(56) **References Cited**

(71) Applicant: **SYSTEM 2000 GROUP LIMITED**,
Erdington, Birmingham (GB)

U.S. PATENT DOCUMENTS

(72) Inventors: **John Edward Rowley**, Birmingham
(GB); **Robert Albert Rowley**,
Staffordshire (GB)

4,718,472 A * 1/1988 Hormann 160/229.1
D329,706 S * 9/1992 Hermens et al. D25/48.8
5,419,386 A * 5/1995 Magro et al. 160/232
D414,877 S * 10/1999 Meshulam D25/48.4
2004/0003903 A1 * 1/2004 Wenrick et al. 160/236

(73) Assignee: **System 2000 Group Limited** (GB)

* cited by examiner

(**) Term: **14 Years**

Primary Examiner — Doris Clark

(21) Appl. No.: **29/458,401**

(74) *Attorney, Agent, or Firm* — Sunstone IP

(22) Filed: **Jun. 19, 2013**

(57) **CLAIM**

The ornamental design for a lath, as shown and described.

(30) **Foreign Application Priority Data**

DESCRIPTION

Dec. 19, 2012 (EC) 002156273

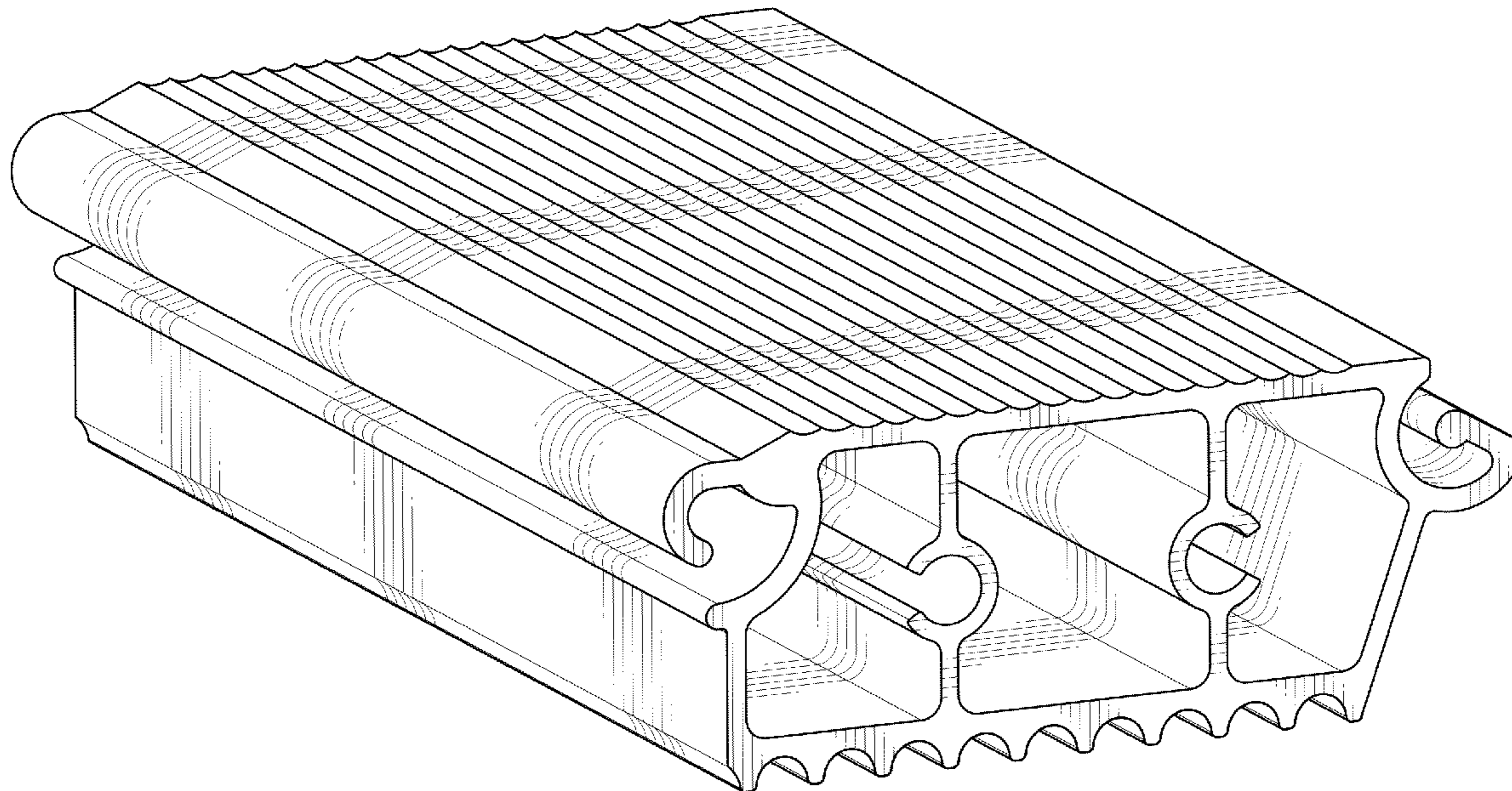
(51) **LOC (10) Cl.** **25-02**

(52) **U.S. Cl.**
USPC **D25/48.4**

(58) **Field of Classification Search**
USPC D25/48.4, 48.8; 160/133, 207, 208,
160/238, 243, 236, DIG. 8, DIG. 10, DIG. 11
See application file for complete search history.

FIG. 1 is a perspective view of a lath showing the new design;
FIG. 2 is a front elevational view thereof;
FIG. 3 is a rear elevational view thereof;
FIG. 4 is a top plan view thereof;
FIG. 5 is a bottom plan view thereof;
FIG. 6 is a right side view thereof; and,
FIG. 7 is a left side view thereof.

1 Claim, 6 Drawing Sheets



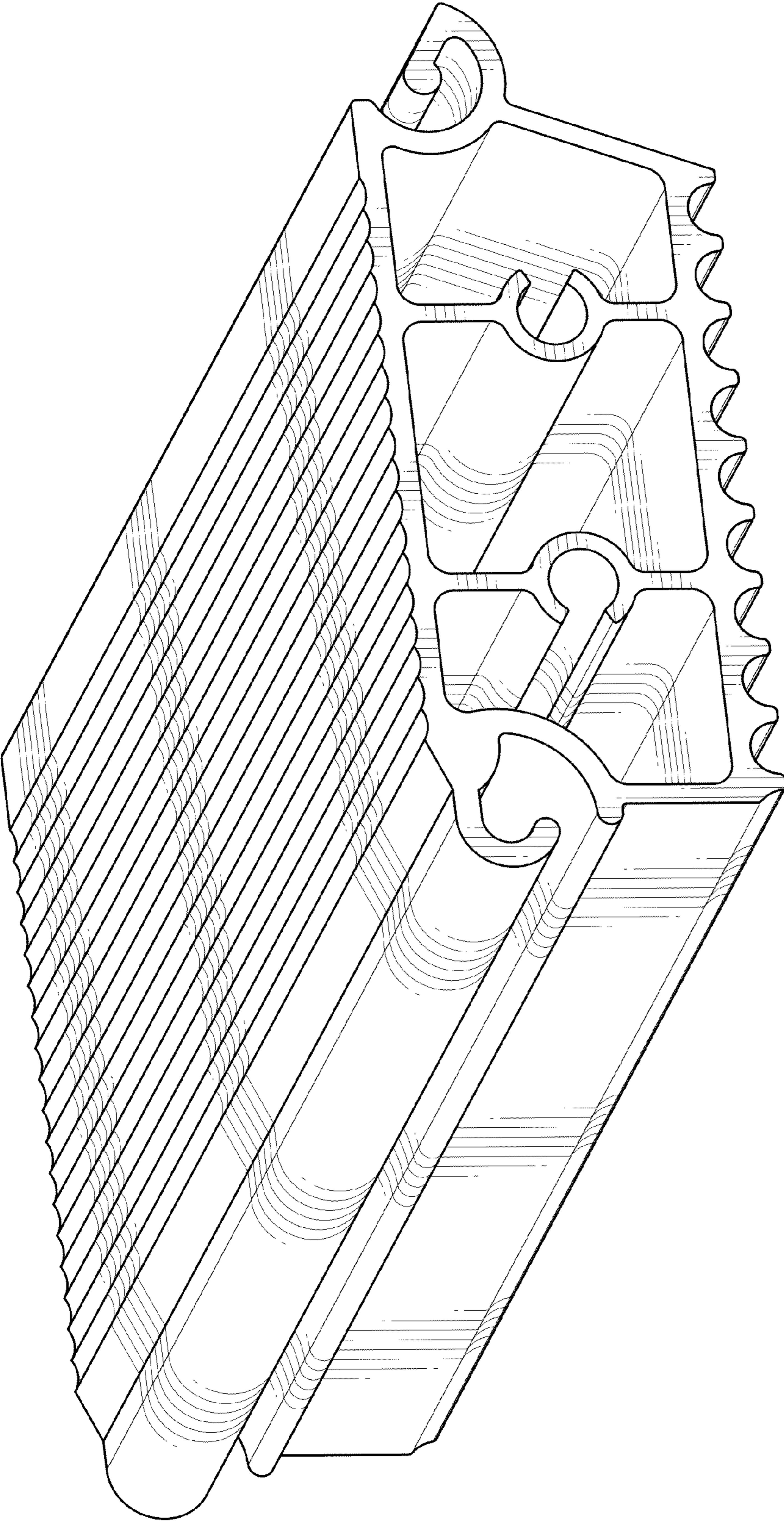


Fig. 1

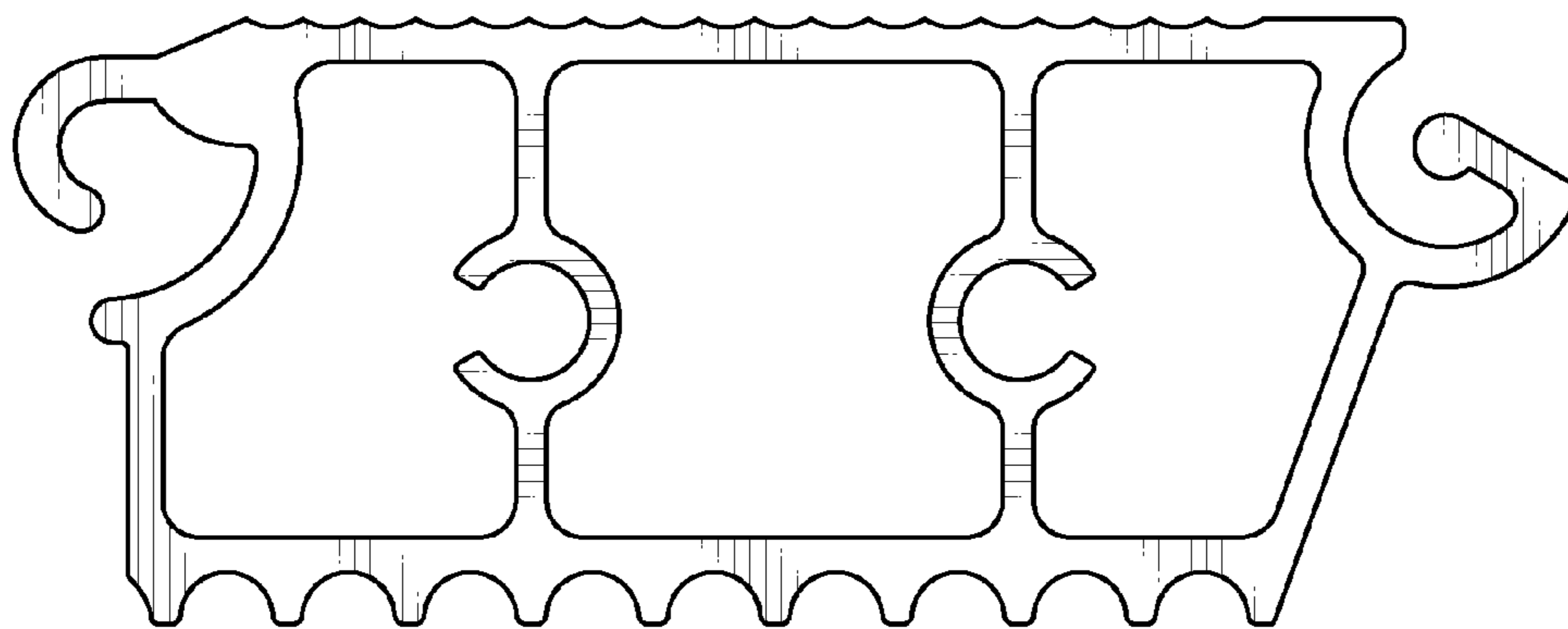


Fig. 2

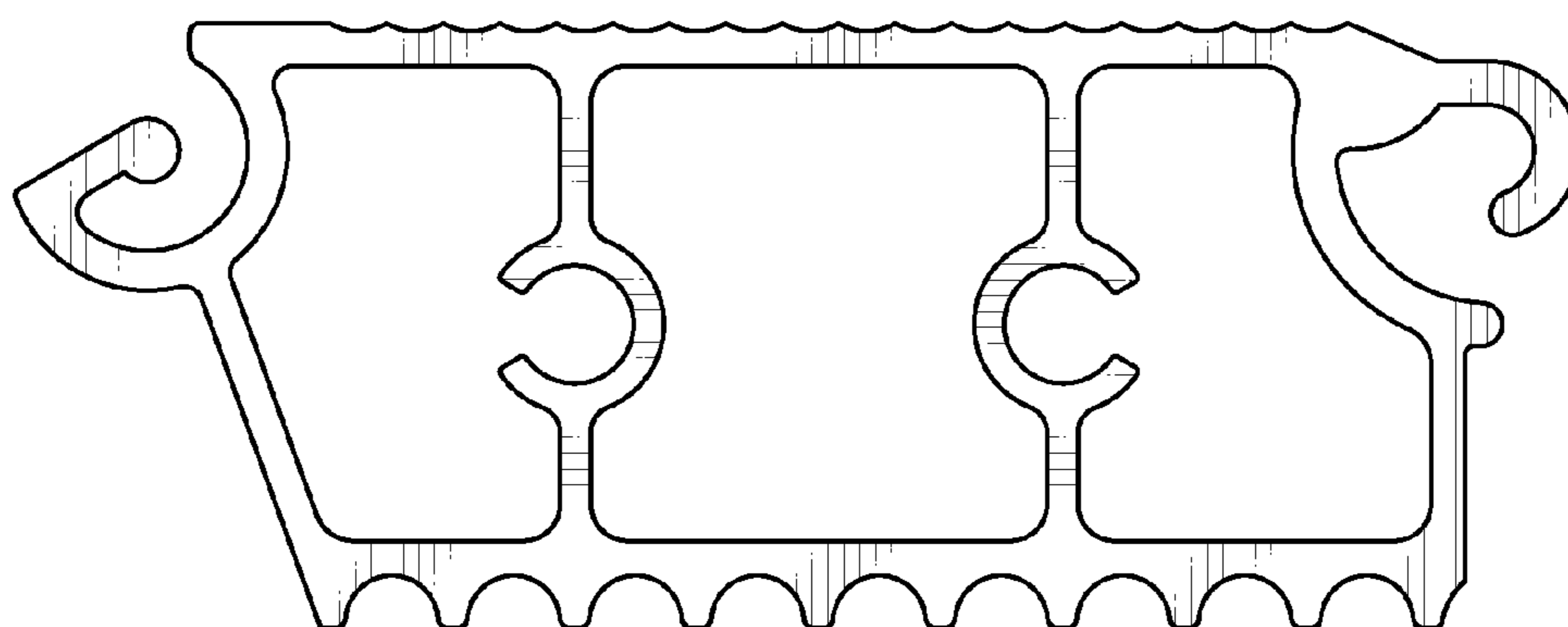


Fig. 3

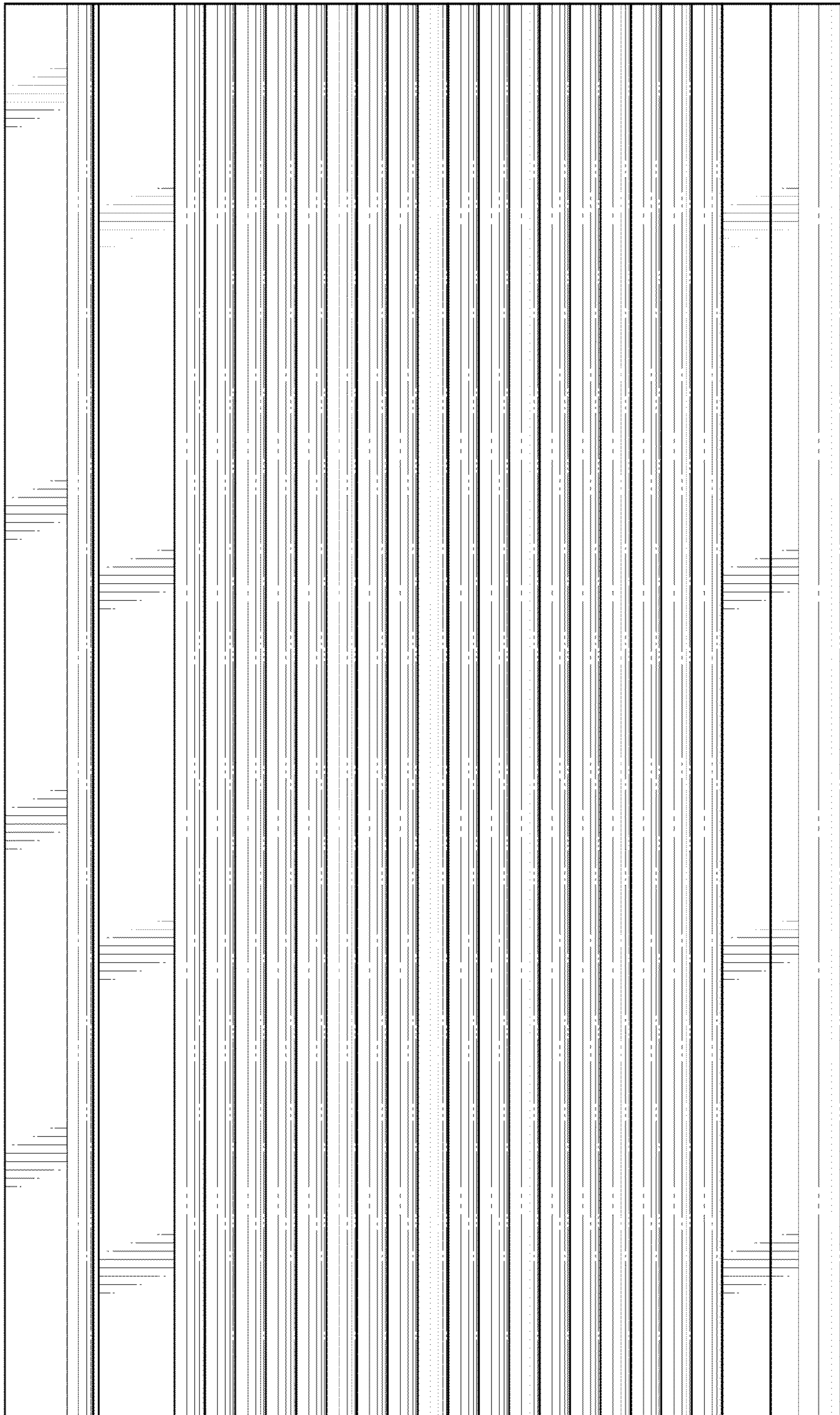


Fig. 4

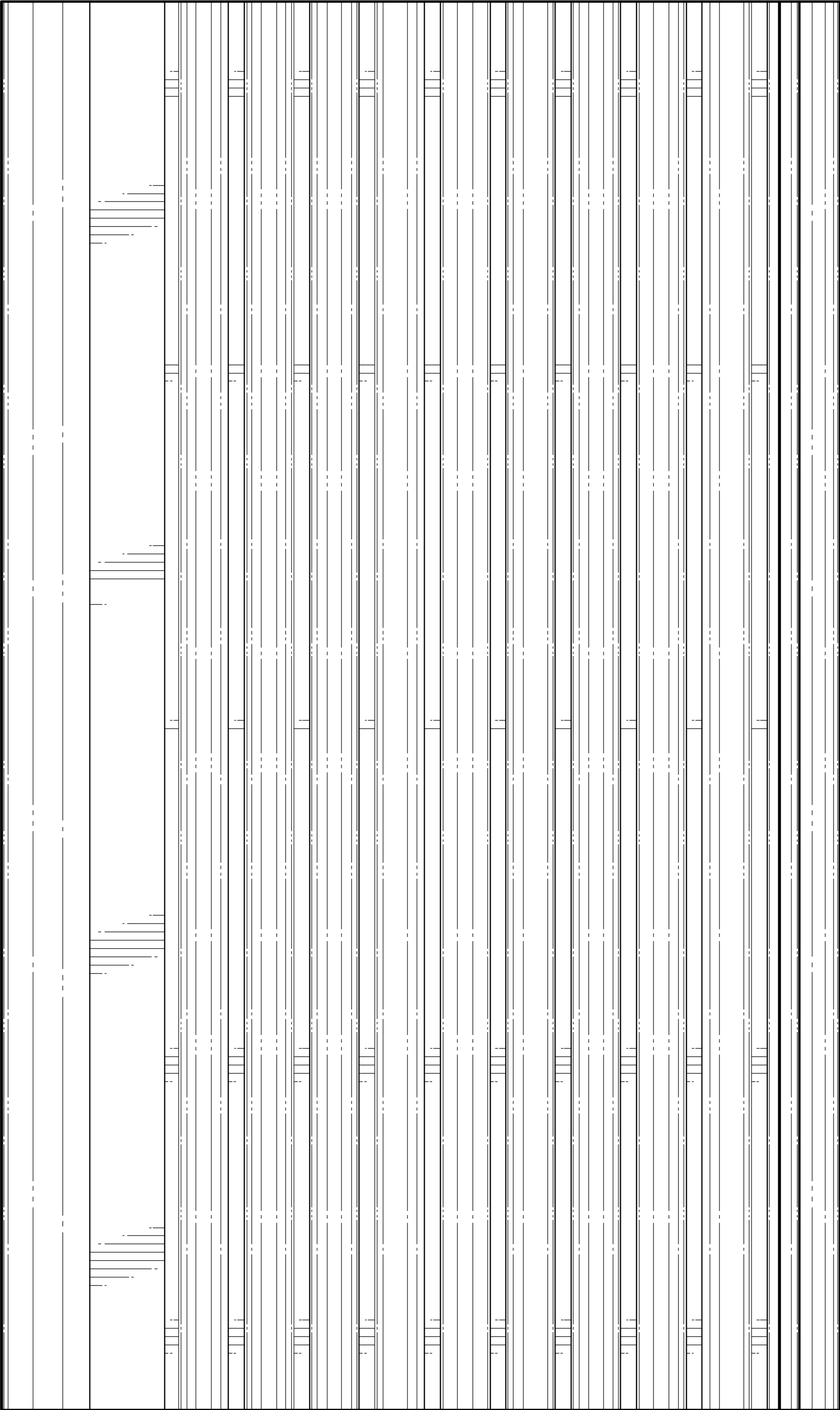


Fig. 5

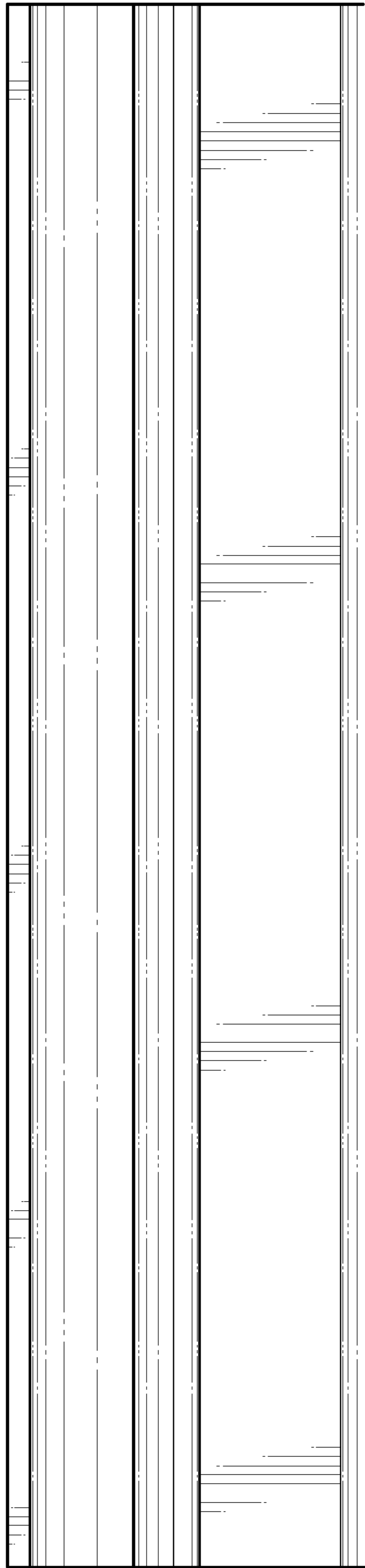


Fig. 6

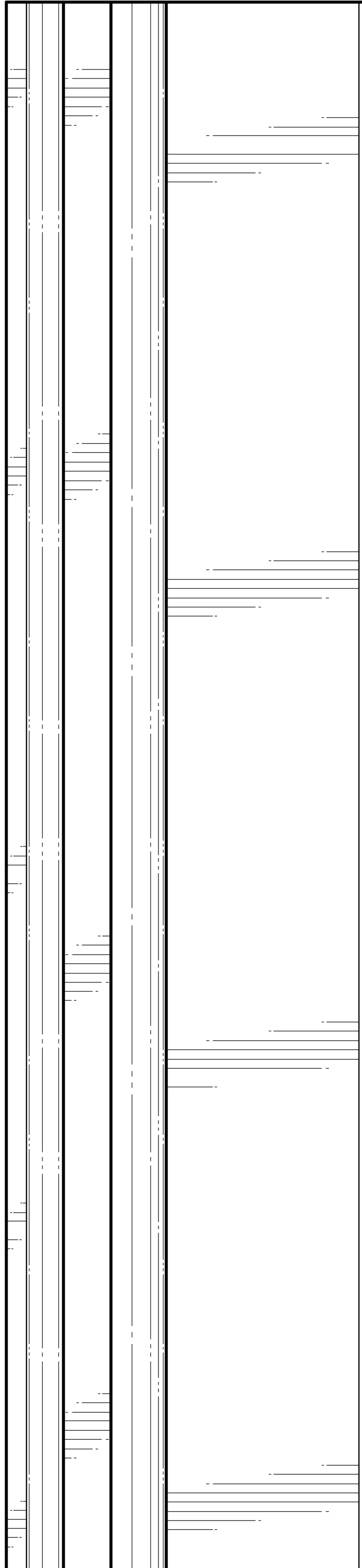


Fig. 7