



US00D731078S

(12) **United States Design Patent**
Frenette

(10) **Patent No.:** **US D731,078 S**
(45) **Date of Patent:** **** Jun. 2, 2015**

(54) **TRANSITION STRIP**

(71) Applicant: **Chad Marcus Frenette, Barrie (CA)**

(72) Inventor: **Chad Marcus Frenette, Barrie (CA)**

(**) Term: **14 Years**

(21) Appl. No.: **29/461,632**

(22) Filed: **Jul. 25, 2013**

(51) **LOC (10) Cl.** **25-02**

(52) **U.S. Cl.**
USPC **D25/48.2; D25/119**

(58) **Field of Classification Search**
USPC D25/119, 48.2, 69; 52/181, 459, 460,
52/468, 481.1, 464, 465
See application file for complete search history.

(56) **References Cited**

U.S. PATENT DOCUMENTS

6,550,205 B2 * 4/2003 Neuhofer, Jr. 52/464
D561,916 S * 2/2008 Visintin D25/119
7,814,720 B2 * 10/2010 Neuhofer 52/471

D664,669 S * 7/2012 Schoonover et al. D25/48.2
2006/0174556 A1 * 8/2006 Kornfalt et al. 52/181
2006/0201093 A1 * 9/2006 Stanchfield 52/459

* cited by examiner

Primary Examiner — Doris Clark

(74) *Attorney, Agent, or Firm* — Eugene Gierczak

(57) **CLAIM**

The ornamental design for the “transition strip,” as shown and described.

DESCRIPTION

FIG. 1 is a top perspective view of the transition strip, broken in the center for ease of illustration.

FIG. 2 is a bottom perspective view of the transition strip.

FIG. 3 is an end view of the transition strip taken from the left of FIG. 1.

FIG. 4 is a front elevational view of the transition strip of FIG. 1.

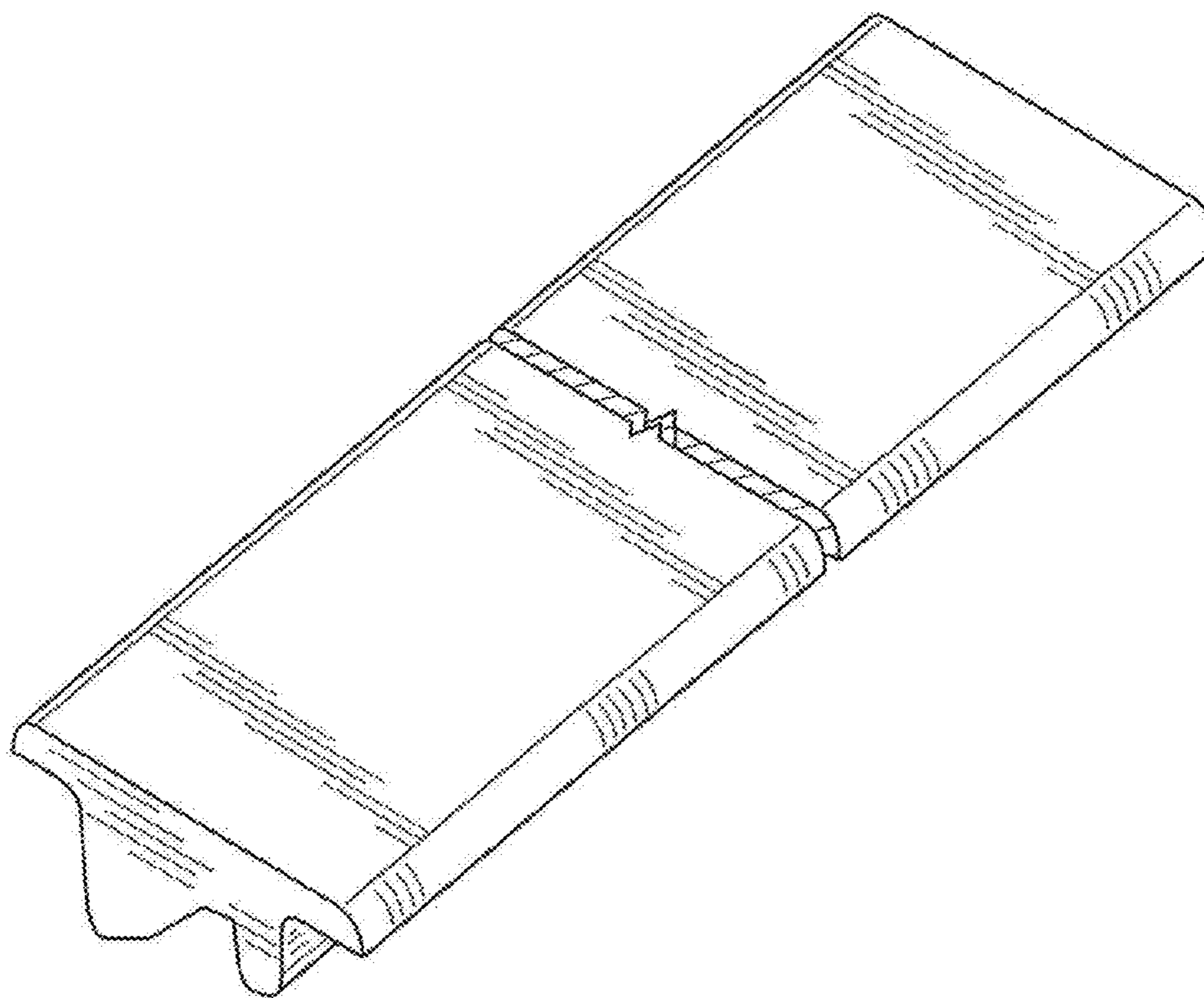
FIG. 5 is an end view of the transition strip taken from the right of FIG. 1.

FIG. 6 is a rear view of the transition strip of FIG. 1.

FIG. 7 is a top view of the transition strip of FIG. 1; and,

FIG. 8 is a bottom view of the transition strip of FIG. 1.

1 Claim, 5 Drawing Sheets



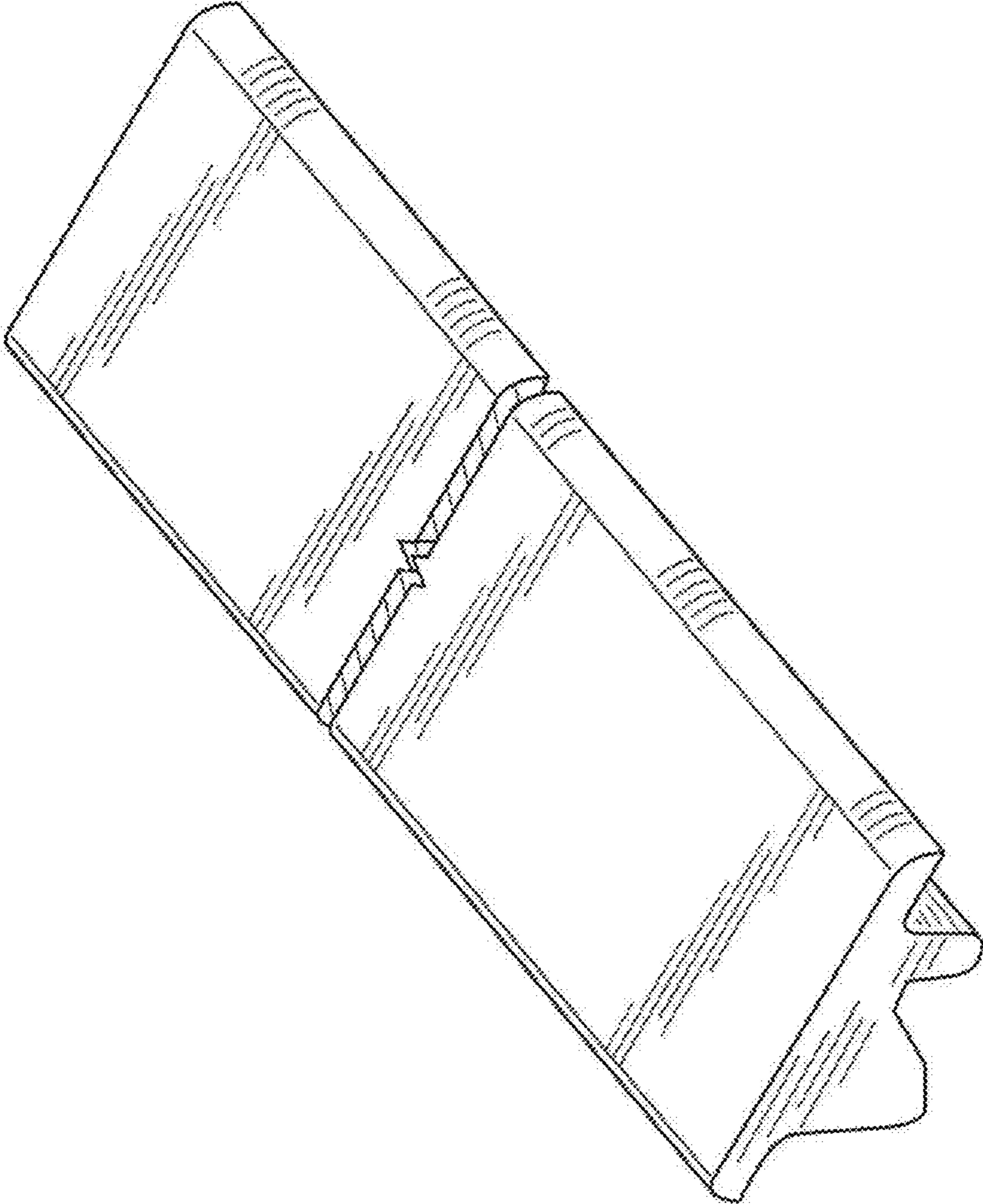


FIG. 1

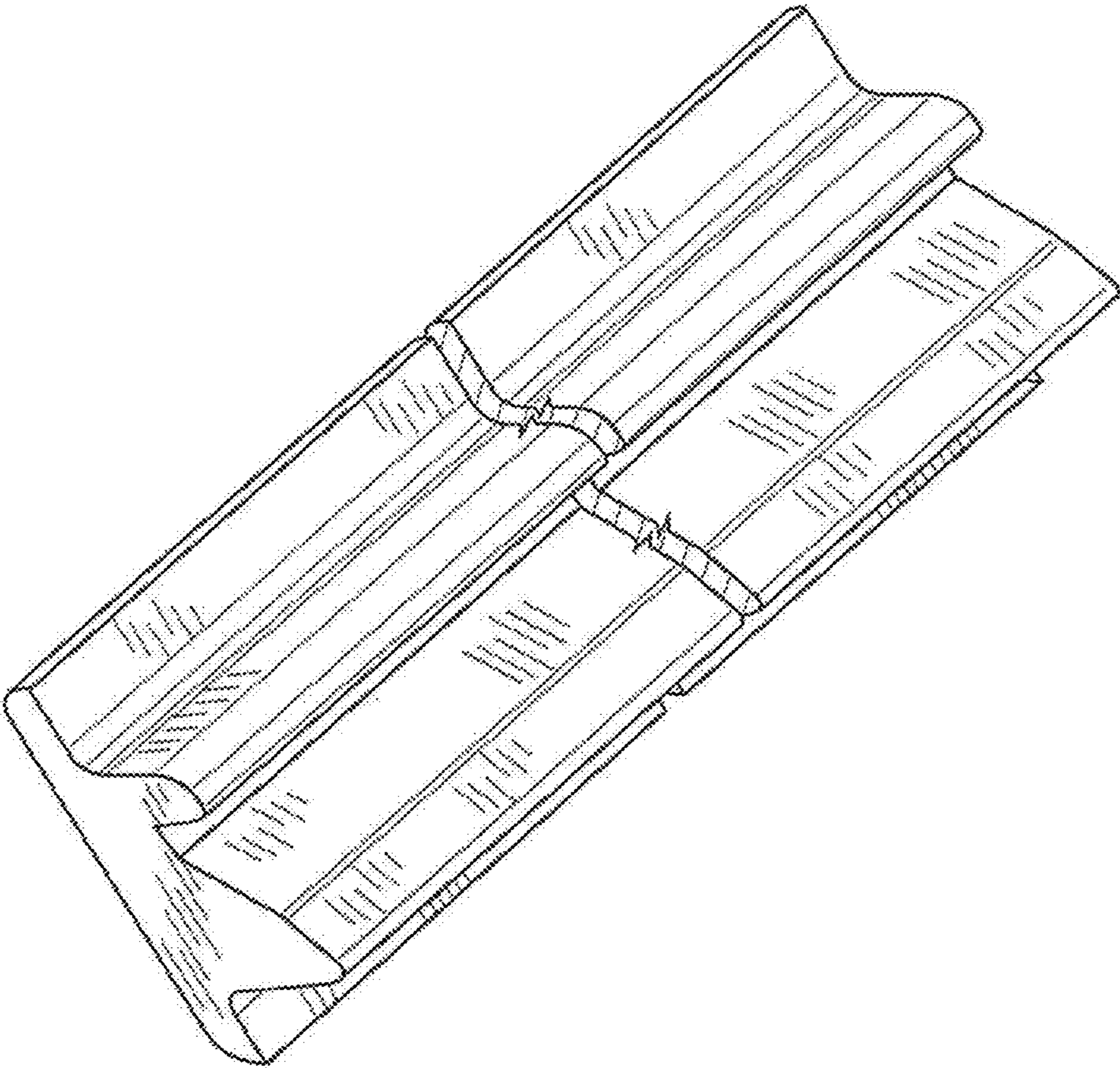


FIG. 2

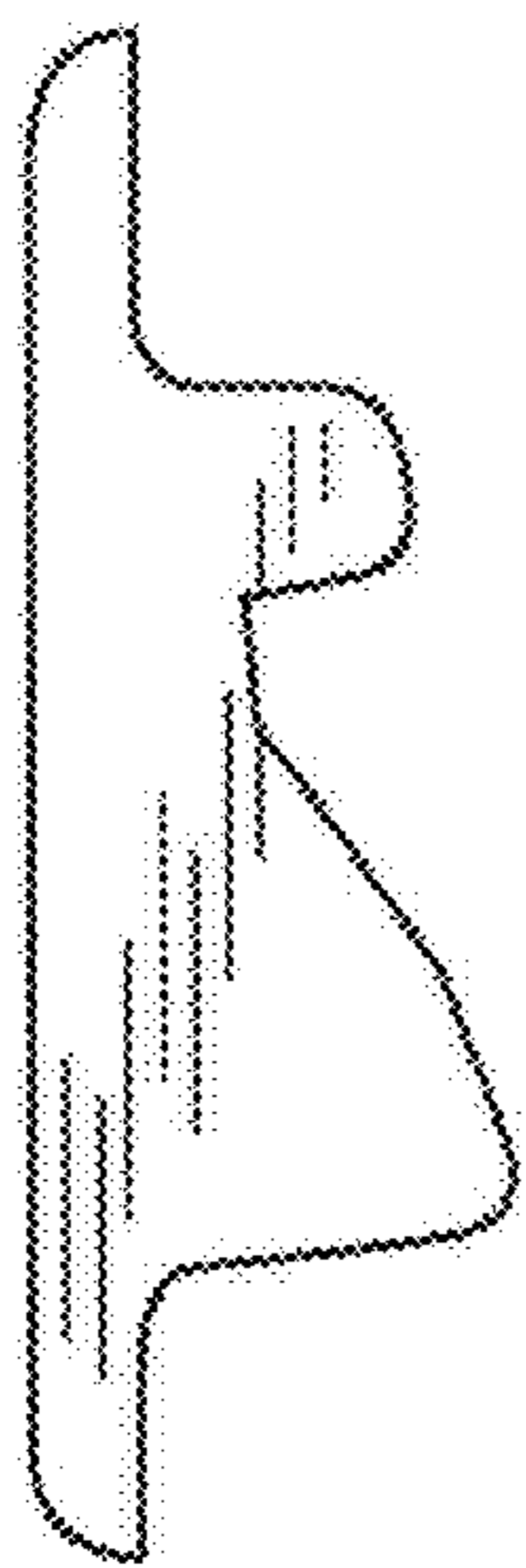


FIG. 3

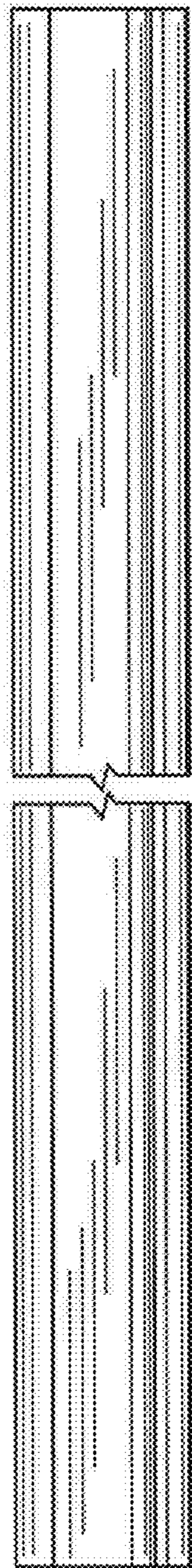


FIG. 4

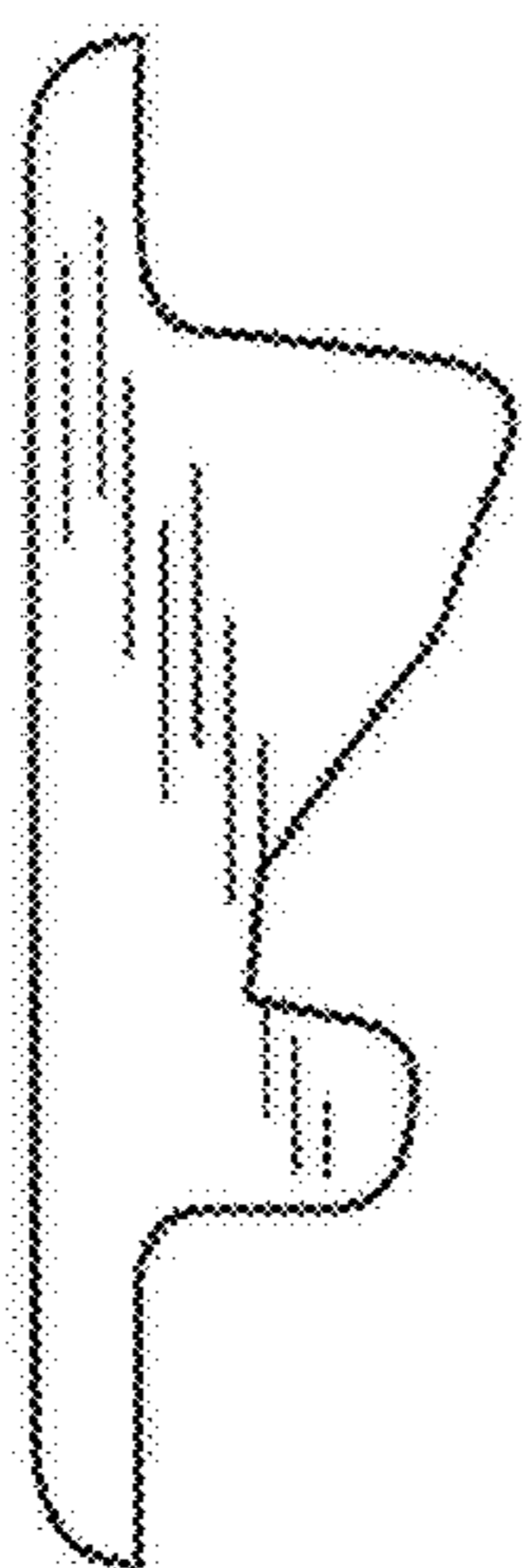


FIG. 5

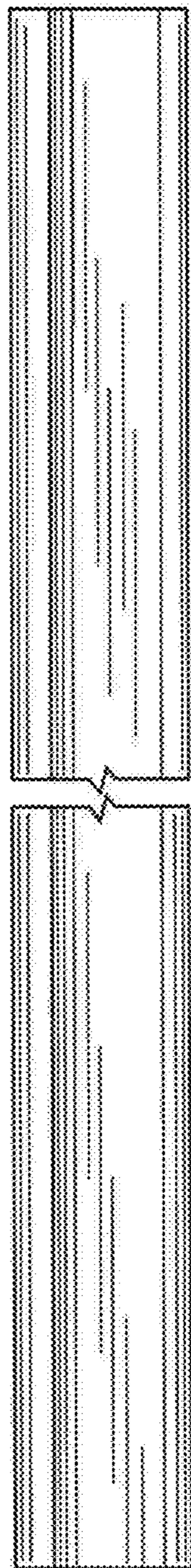


FIG. 6

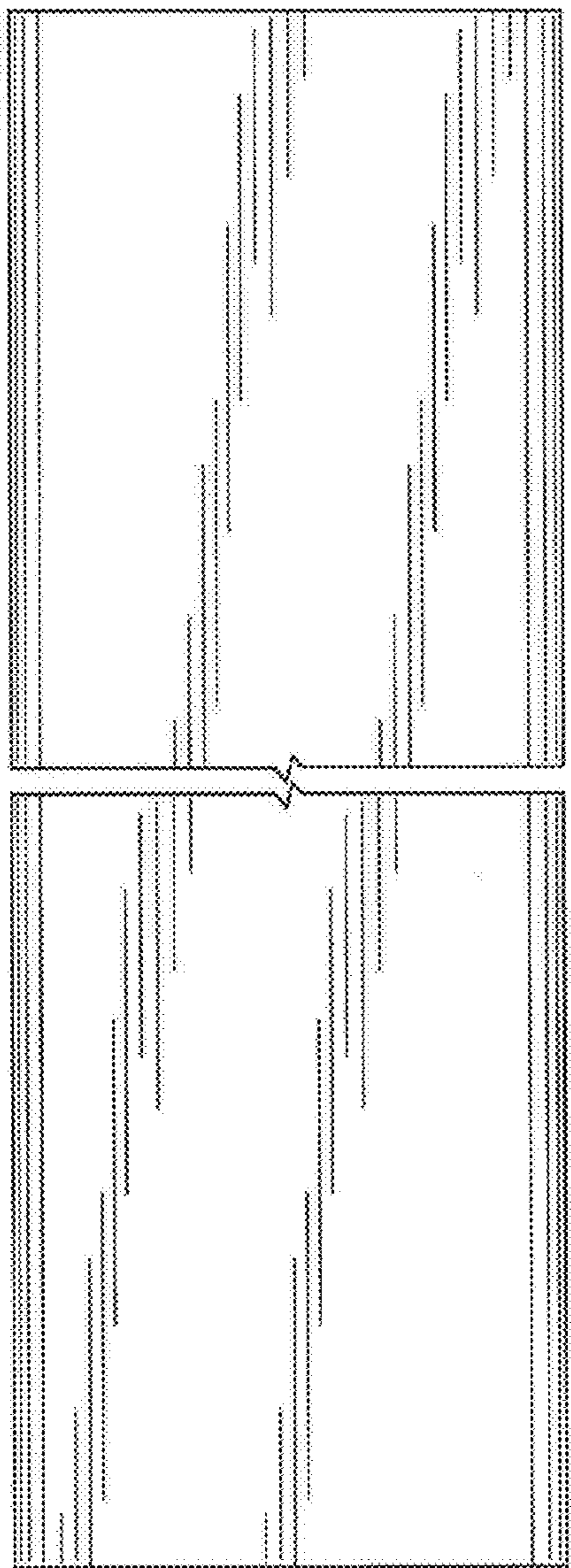


FIG. 7

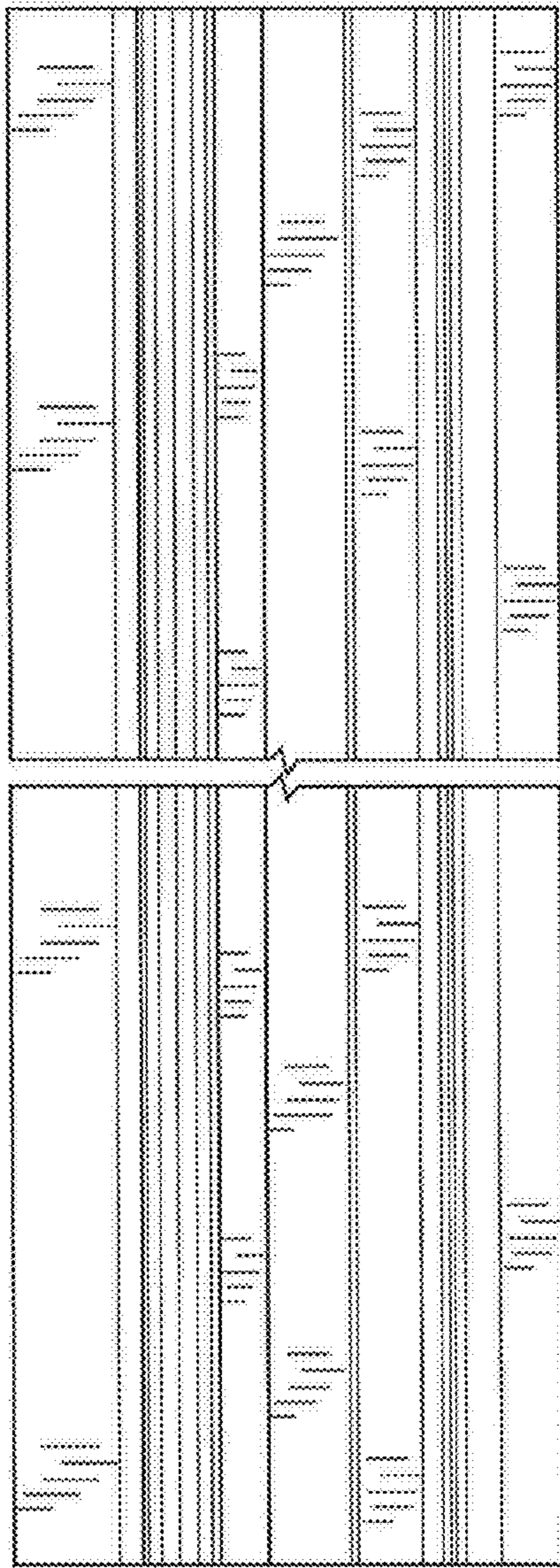


FIG. 8