

US00D731077S

(12) **United States Design Patent**
Lehmann

(10) **Patent No.:** **US D731,077 S**
(45) **Date of Patent:** **** Jun. 2, 2015**

(54) **BUSINESS WORKBOX**

(71) Applicant: **Pathway IP SARL**, Luxembourg (LU)

(72) Inventor: **Andreas Lehmann**, Uitikon Waldegg (CH)

(73) Assignee: **Pathway IP SARL**, Luxembourg (LU)

(**) Term: **14 Years**

(21) Appl. No.: **29/480,075**

(22) Filed: **Jan. 23, 2014**

(30) **Foreign Application Priority Data**

Aug. 30, 2013 (WO) WO32860

(51) **LOC (10) Cl.** **25-03**

(52) **U.S. Cl.**
USPC **D25/16; D25/31**

(58) **Field of Classification Search**
USPC D25/1, 3, 4, 16, 31, 33; D24/234;
D16/215; D6/640, 642-643, 643.1,
D6/335-336

CPC ... E04B 1/34321; E04B 1/12; E04B 1/34336;
E04B 1/3442; E04H 1/125; A47B 2083/006

See application file for complete search history.

(56) **References Cited**

U.S. PATENT DOCUMENTS

4,571,898 A * 2/1986 Le Cacheux et al. D25/16
5,651,219 A * 7/1997 Baloga et al. 52/36.1
D664,667 S * 7/2012 Krymov et al. D25/16

* cited by examiner

Primary Examiner — Robert Delehanty

(74) *Attorney, Agent, or Firm* — Wood, Herron & Evans, LLP

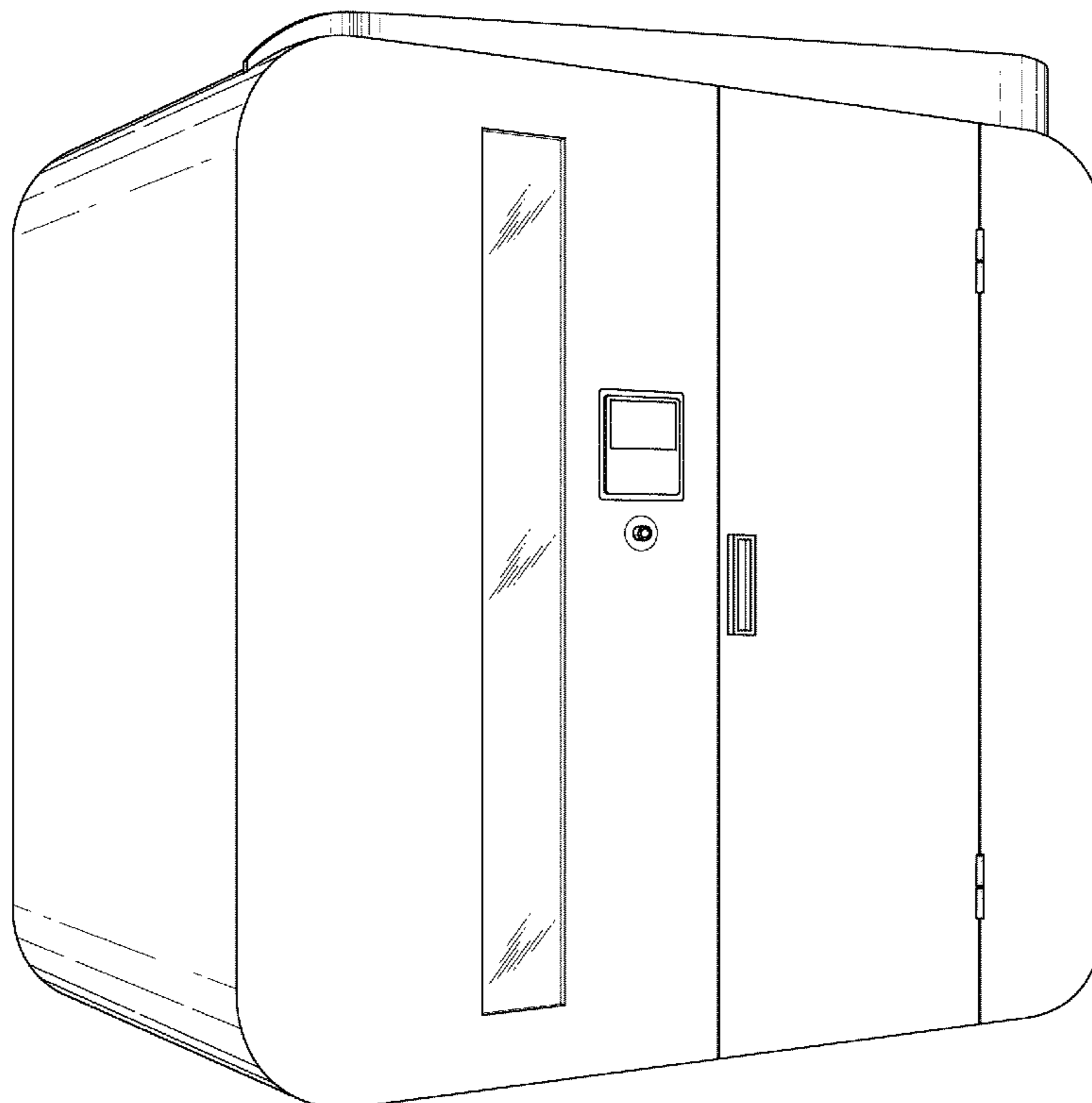
(57) **CLAIM**

The ornamental design for a business workbox, as shown and described.

DESCRIPTION

FIG. 1 is a perspective view of a business workbox of the present invention;
FIG. 2 is a front view of FIG. 1 of the present invention;
FIG. 3 is a rear view of FIG. 1 of the present invention;
FIG. 4 is a left side view of FIG. 1 of the present invention;
FIG. 5 is a right side view of FIG. 1 of the present invention;
FIG. 6 is a top view of FIG. 1 of the present invention; and,
FIG. 7 is a bottom view of FIG. 1 of the present invention.

1 Claim, 6 Drawing Sheets



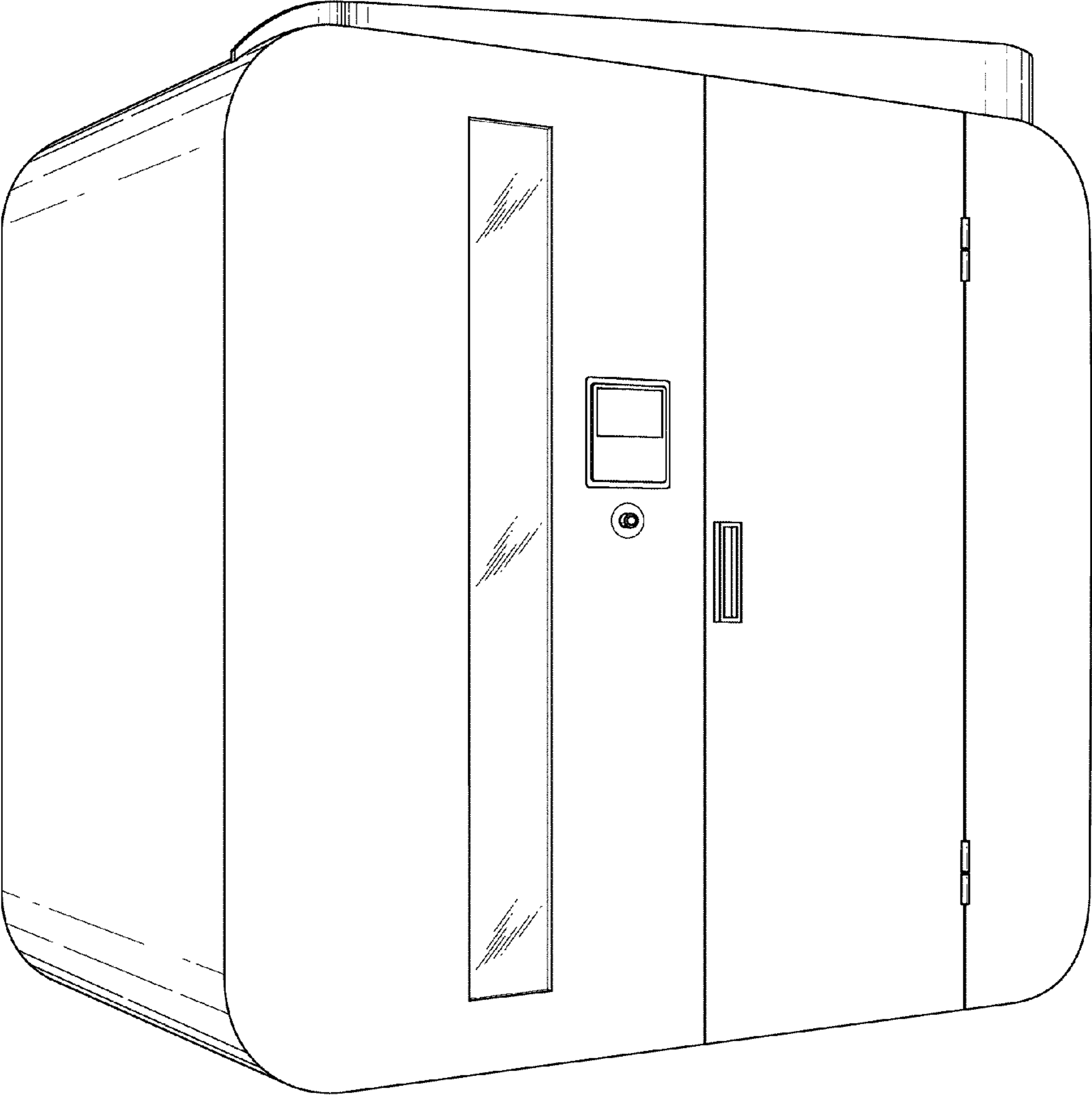


FIG. 1

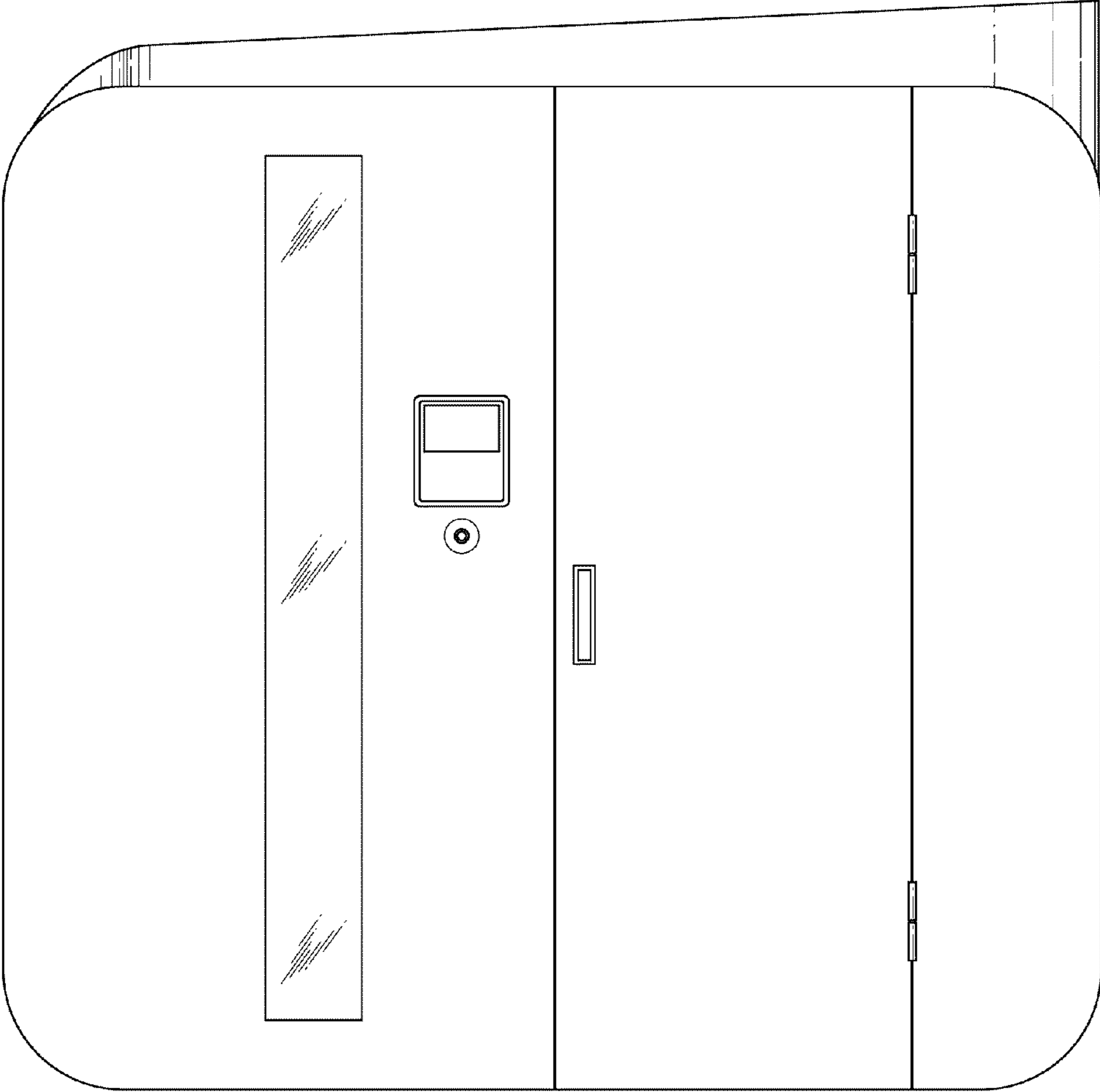


FIG. 2

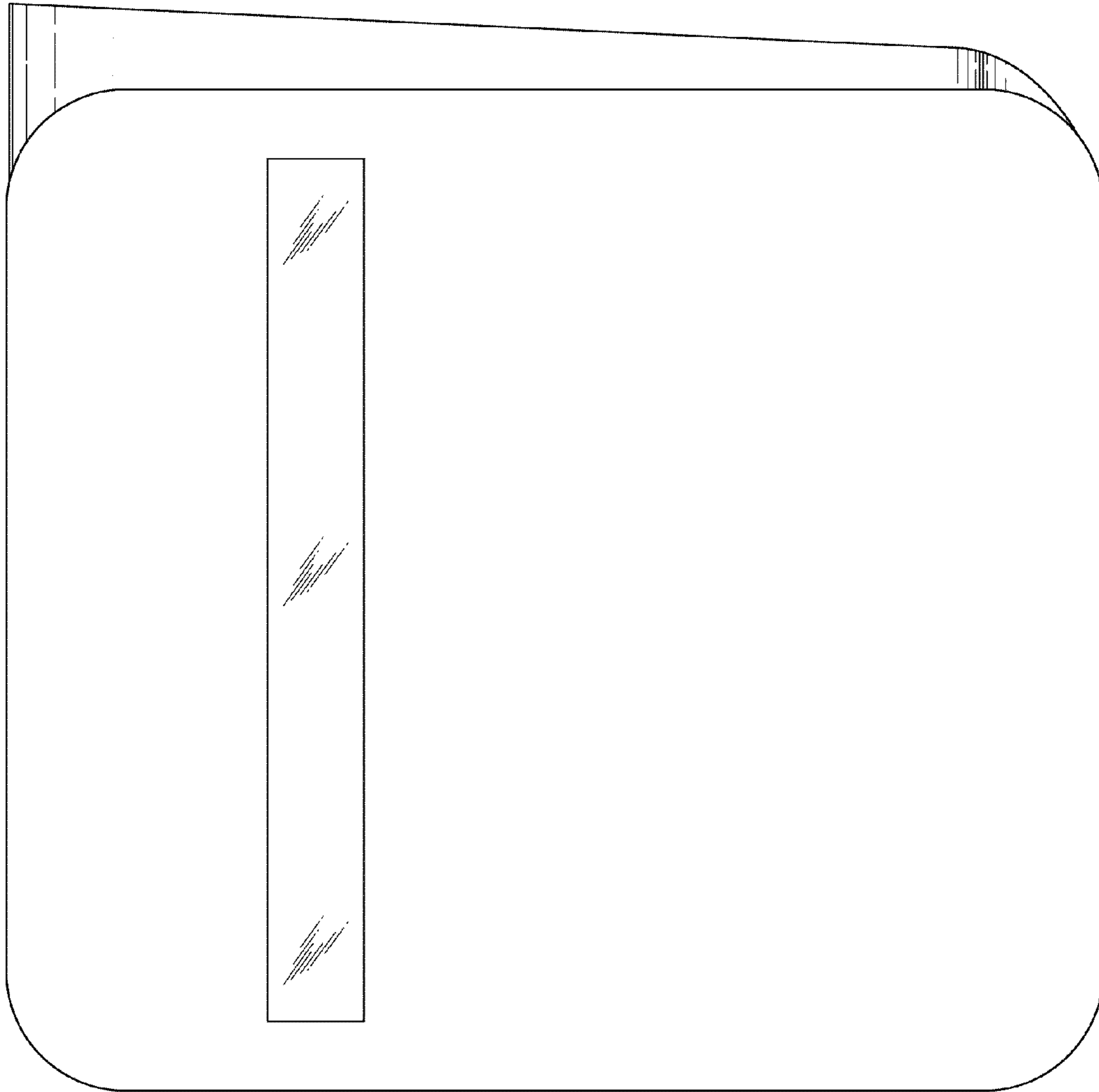


FIG. 3

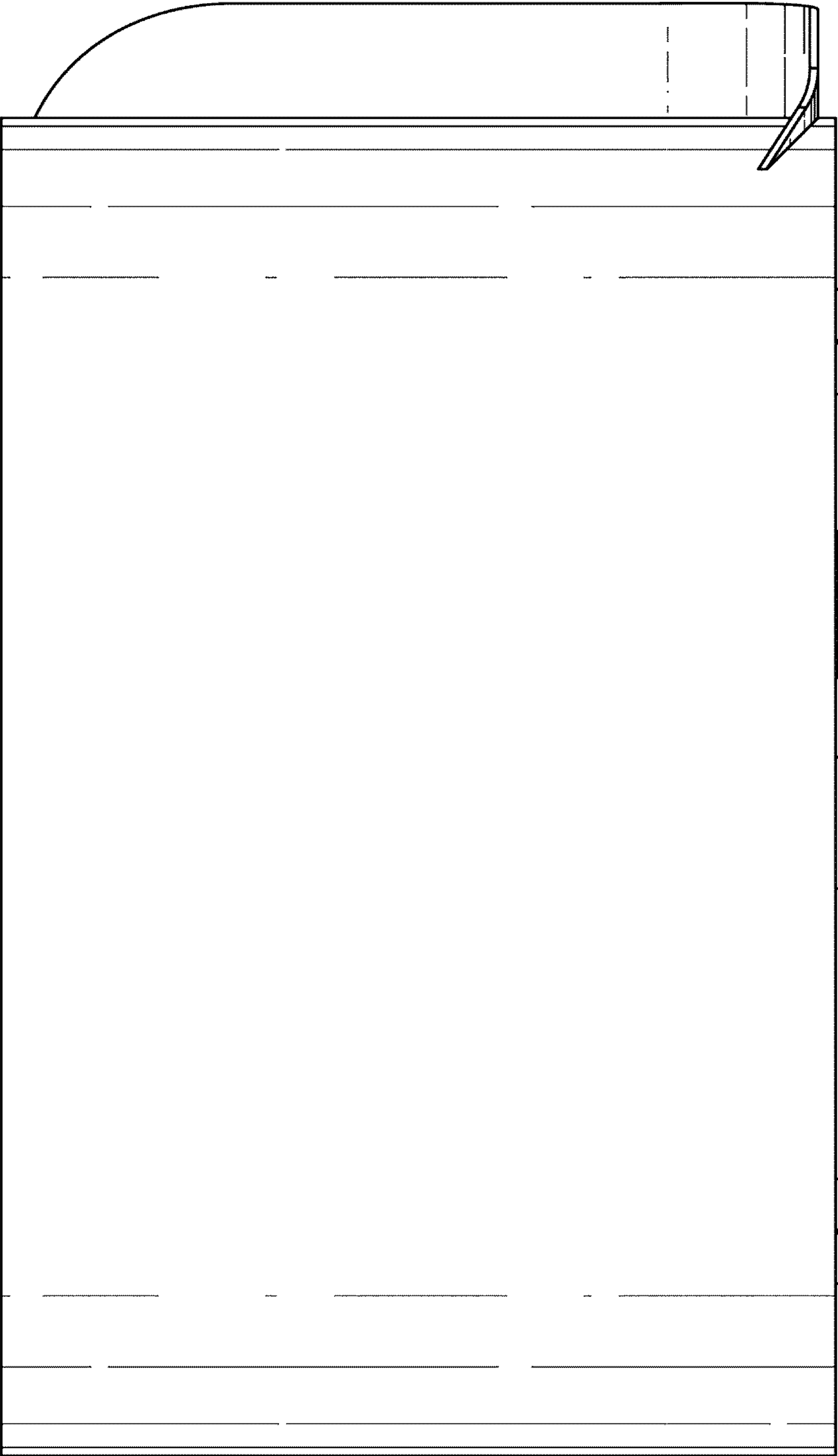


FIG. 4

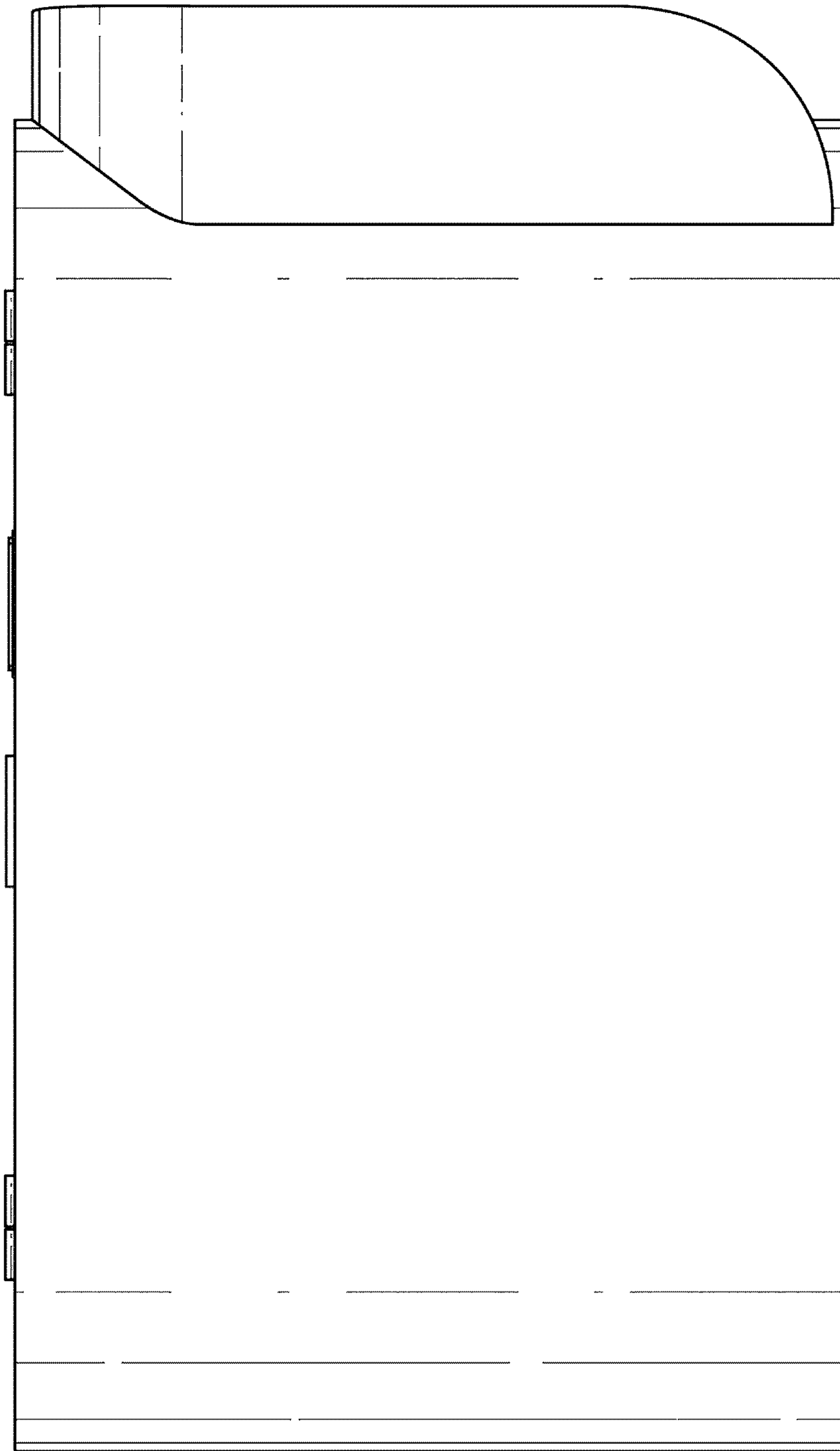


FIG. 5



FIG. 6

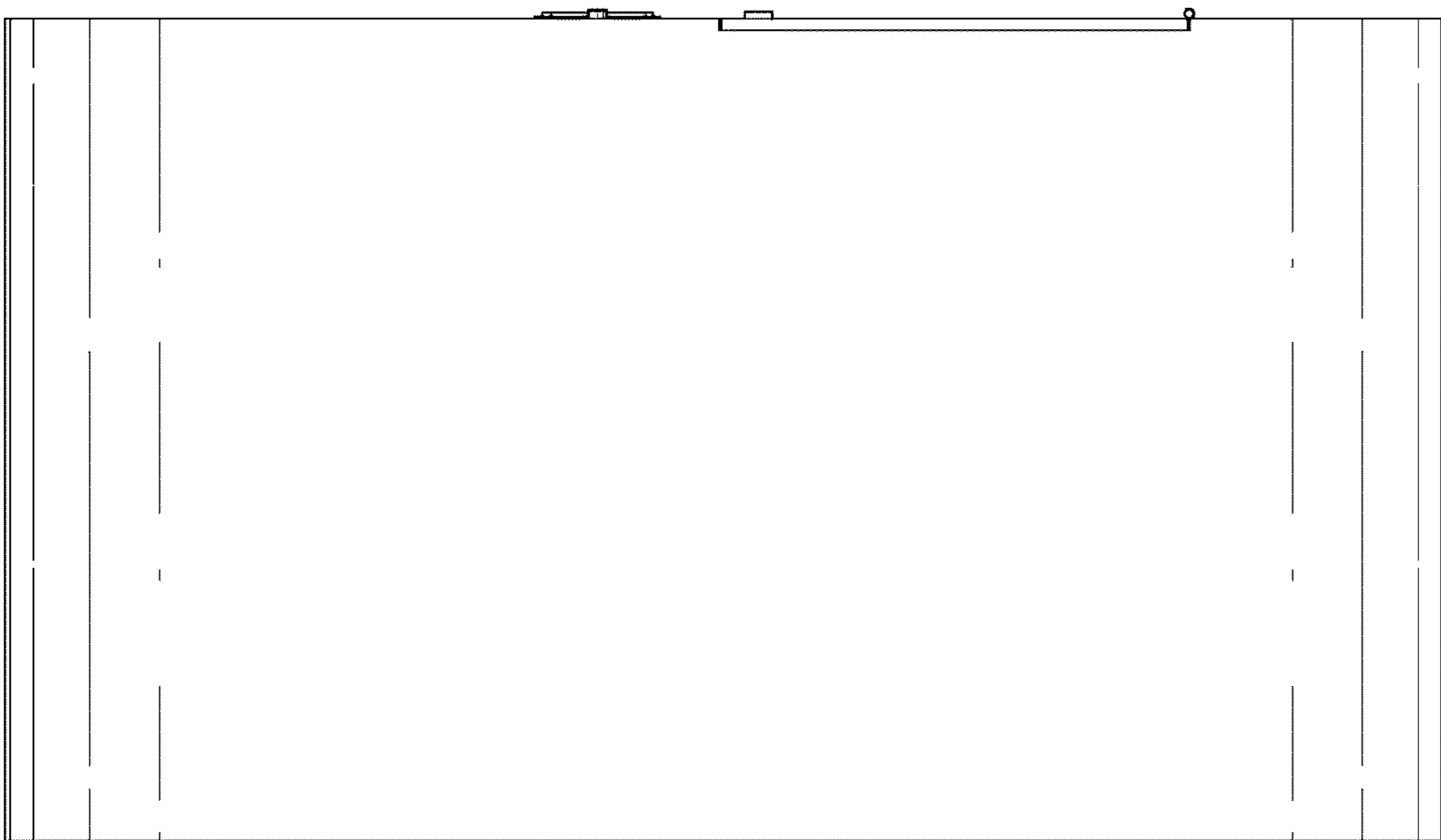


FIG. 7