



US00D731076S

(12) **United States Design Patent**  
**Carter**

(10) **Patent No.:** **US D731,076 S**  
(45) **Date of Patent:** **\*\* Jun. 2, 2015**

(54) **SURGE BIN**

(71) Applicant: **Schenck Process Australia Pty Limited**, Thornton, New South Wales (AU)

(72) Inventor: **Karl Carter**, Thornton (AU)

(73) Assignee: **SCHENCK PROCESS AUSTRALIA PTY LIMITED**, Thornton (AU)

(\*\*) Term: **14 Years**

(21) Appl. No.: **29/489,555**

(22) Filed: **Apr. 30, 2014**

(30) **Foreign Application Priority Data**

Oct. 31, 2013 (AU) ..... 15619/2013

(51) **LOC (10) Cl.** ..... **25-03**

(52) **U.S. Cl.**  
USPC ..... **D25/14**

(58) **Field of Classification Search**  
USPC ..... D25/1-35; 52/79.1, 79.4; 414/293; 222/503  
See application file for complete search history.

(56) **References Cited**

**U.S. PATENT DOCUMENTS**

597,879 A \* 1/1898 Graver ..... 52/197  
1,120,108 A \* 12/1914 Warwick ..... 52/249

3,146,924 A \* 9/1964 Cozadd et al. .... 222/503  
3,712,002 A \* 1/1973 Hillinger et al. .... 52/63  
3,777,909 A \* 12/1973 Rheinfrank, Jr. .... 414/293  
4,265,065 A \* 5/1981 Osada ..... 52/197  
4,499,669 A \* 2/1985 Haeck ..... 34/102  
4,869,622 A \* 9/1989 Salter et al. .... 406/119  
6,688,496 B1 \* 2/2004 Ahlmer et al. .... 222/153.09  
2003/0071090 A1 \* 4/2003 Johanson ..... 222/547  
2008/0193889 A1 \* 8/2008 Berquet ..... 432/3  
2014/0166438 A1 \* 6/2014 Mikulec et al. .... 198/524  
2014/0291215 A1 \* 10/2014 Armstrong ..... 209/333

\* cited by examiner

*Primary Examiner* — Garth Rademaker

*Assistant Examiner* — Samantha Q Lawrence

(74) *Attorney, Agent, or Firm* — Maschoff Brennan

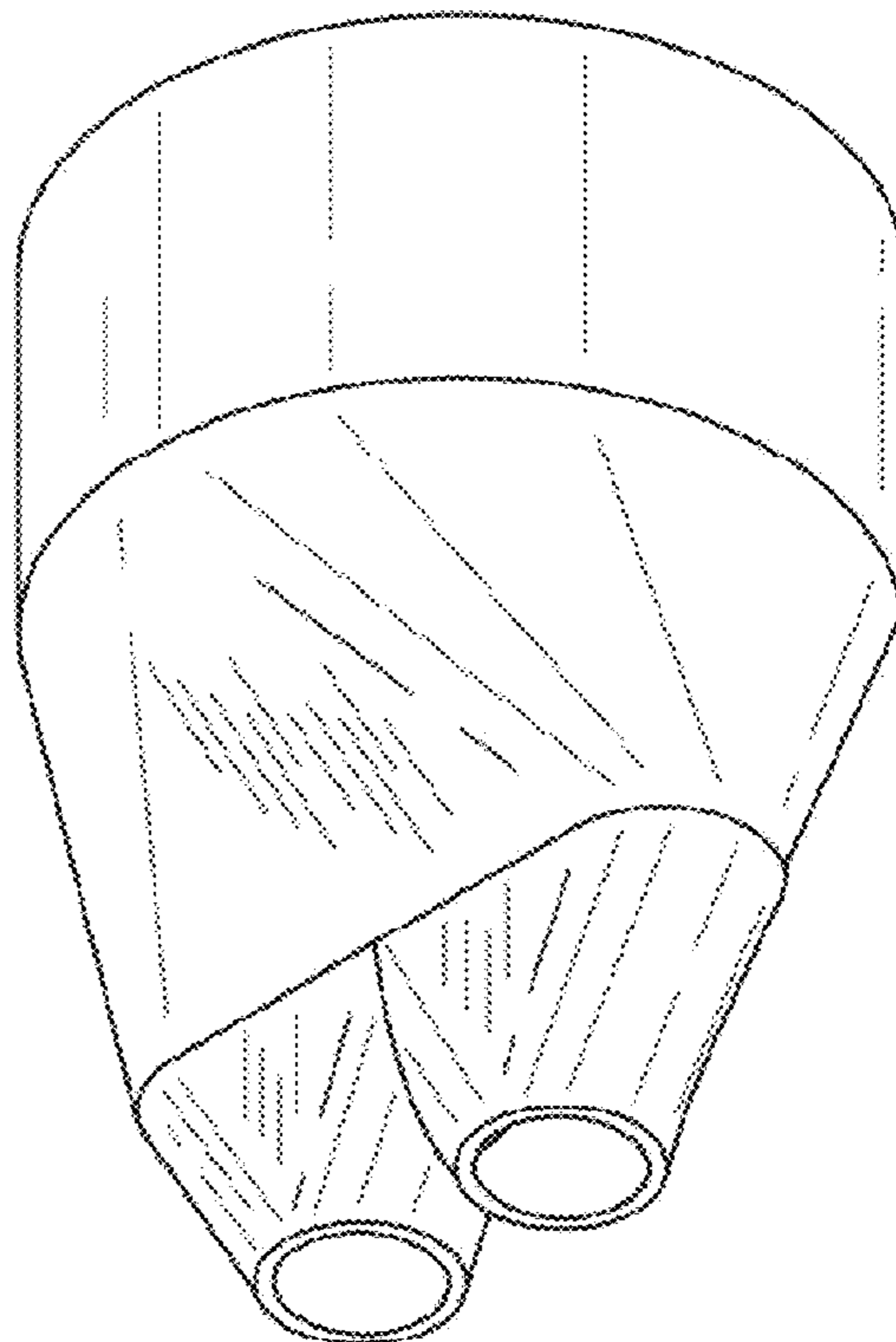
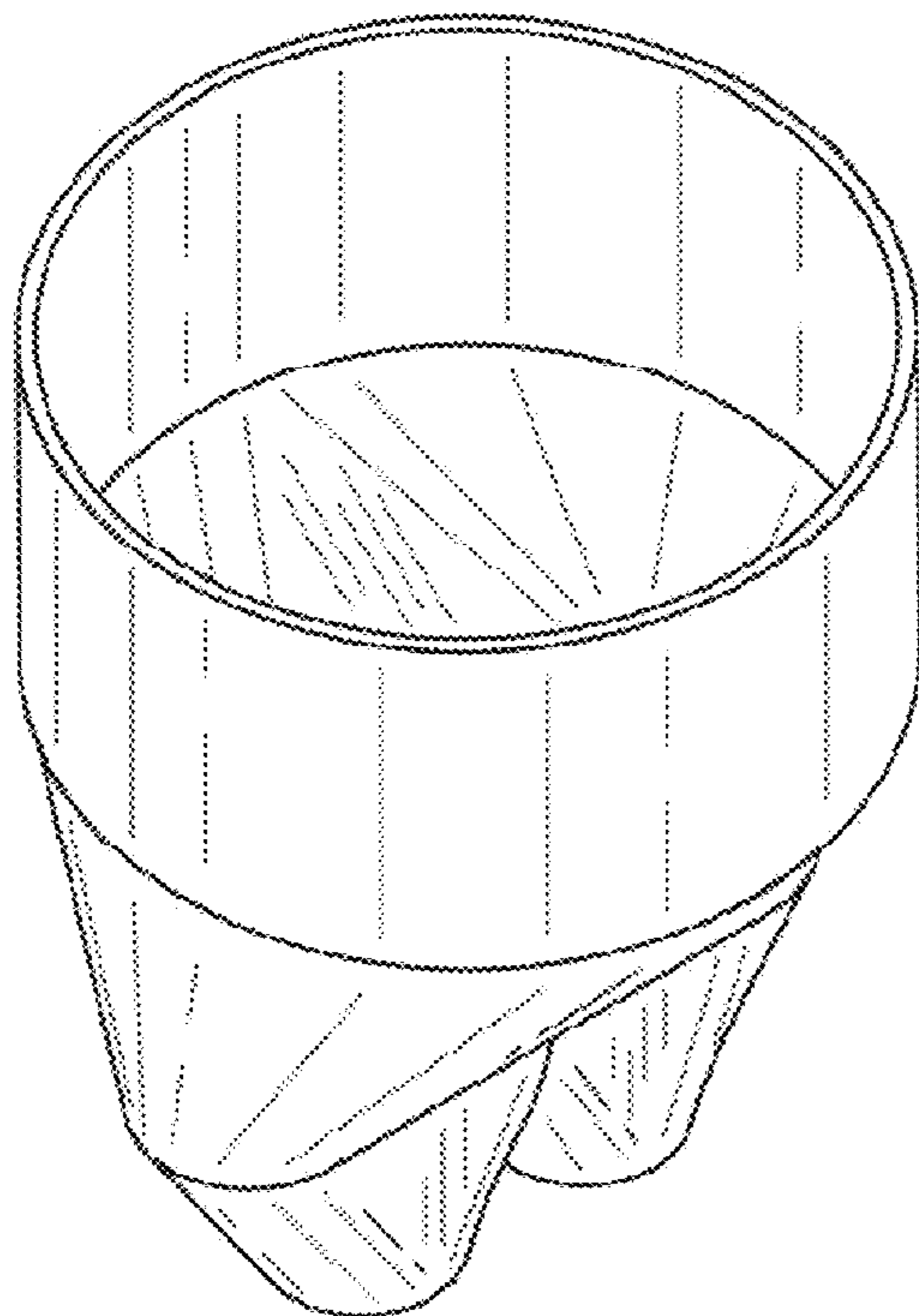
(57) **CLAIM**

The ornamental design for a surge bin, as shown and described.

**DESCRIPTION**

FIG. 1 is a top view of a surge bin;  
FIG. 2 is a left view thereof;  
FIG. 3 is a front view thereof;  
FIG. 4 is a right view thereof;  
FIG. 5 is a bottom view thereof;  
FIG. 6 is a front isometric view thereof;  
FIG. 7 is a top isometric view thereof; and,  
FIG. 8 is a rear isometric view thereof.

**1 Claim, 2 Drawing Sheets**



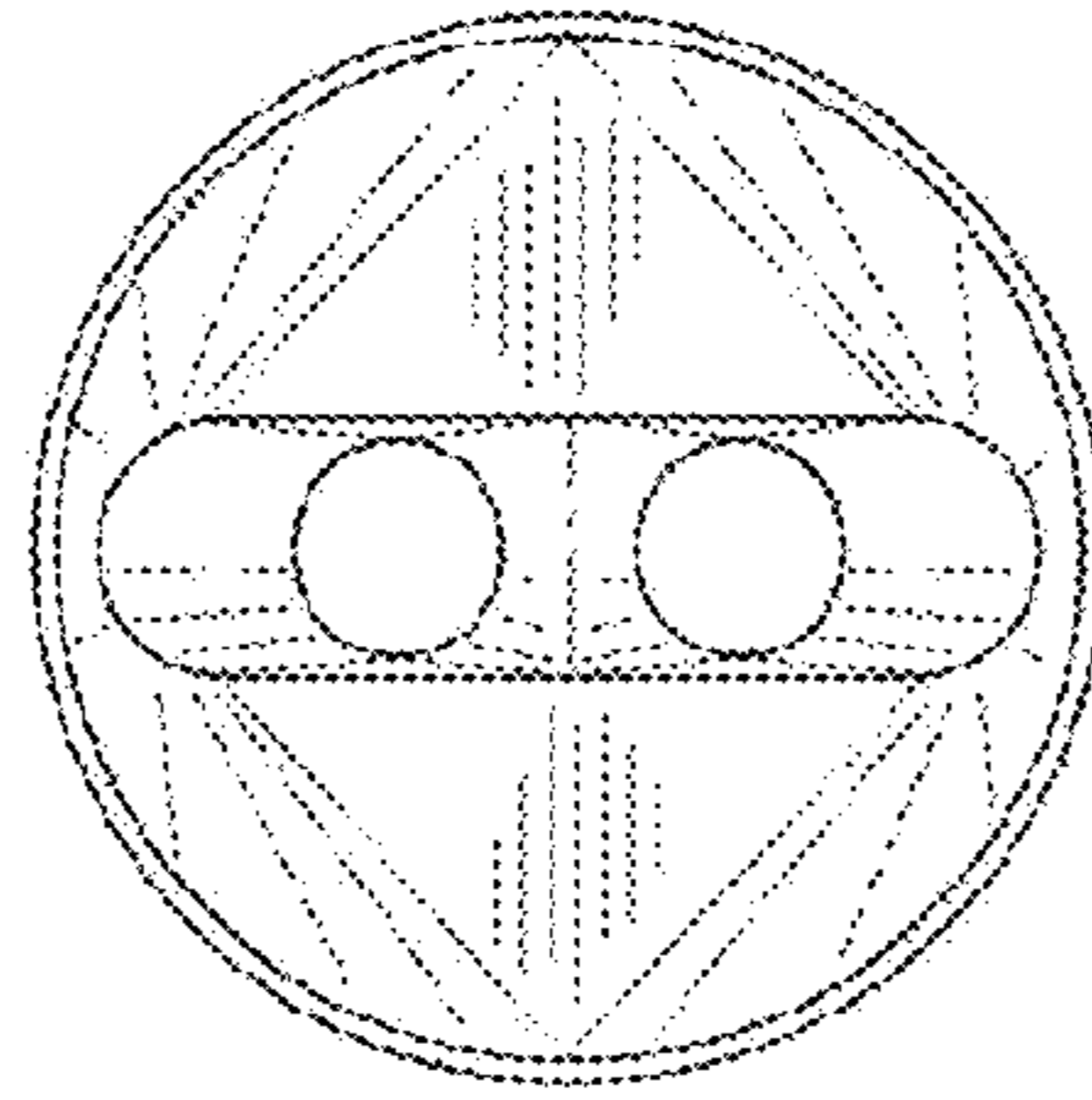


FIG. 1

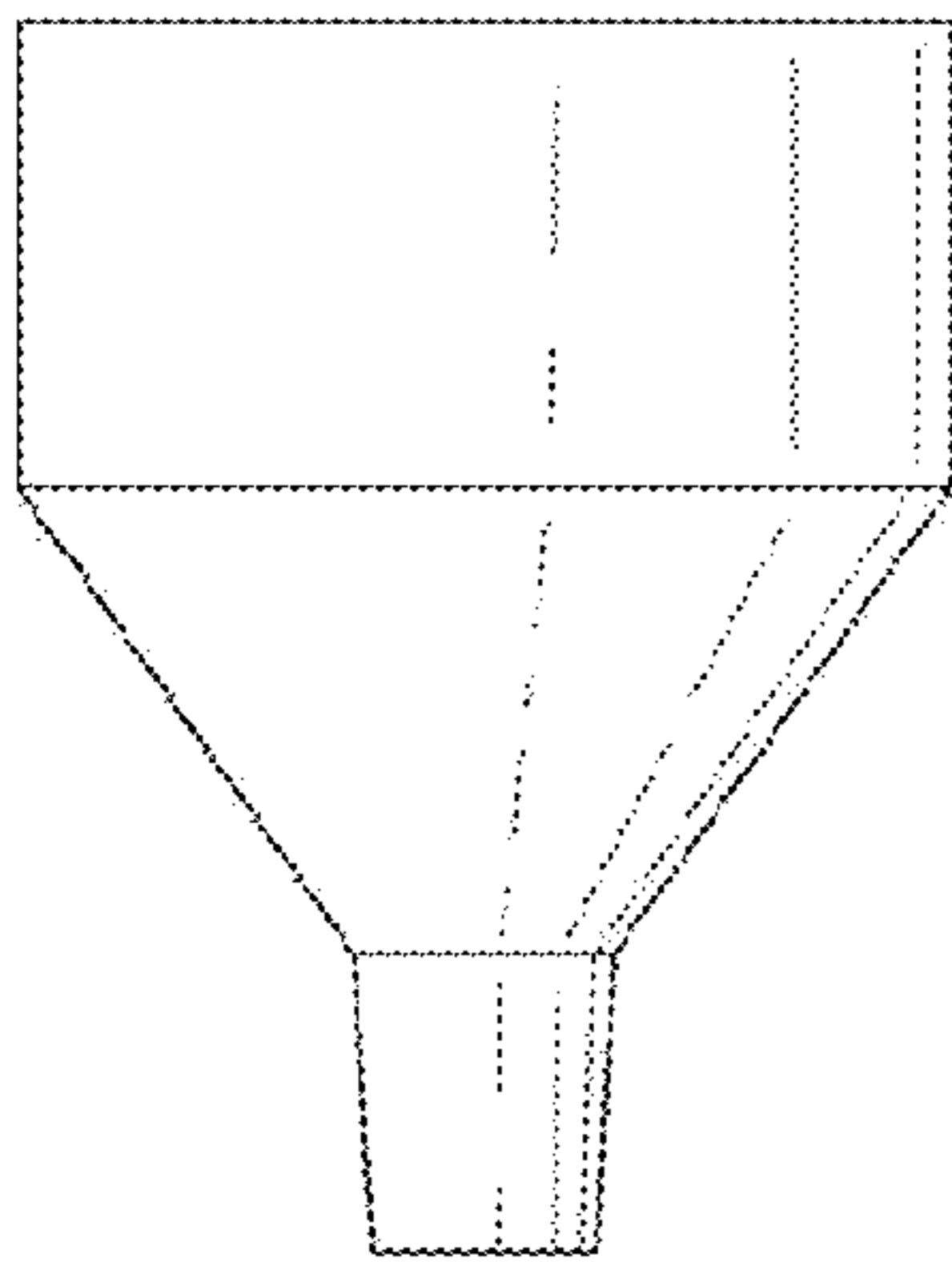


FIG. 2

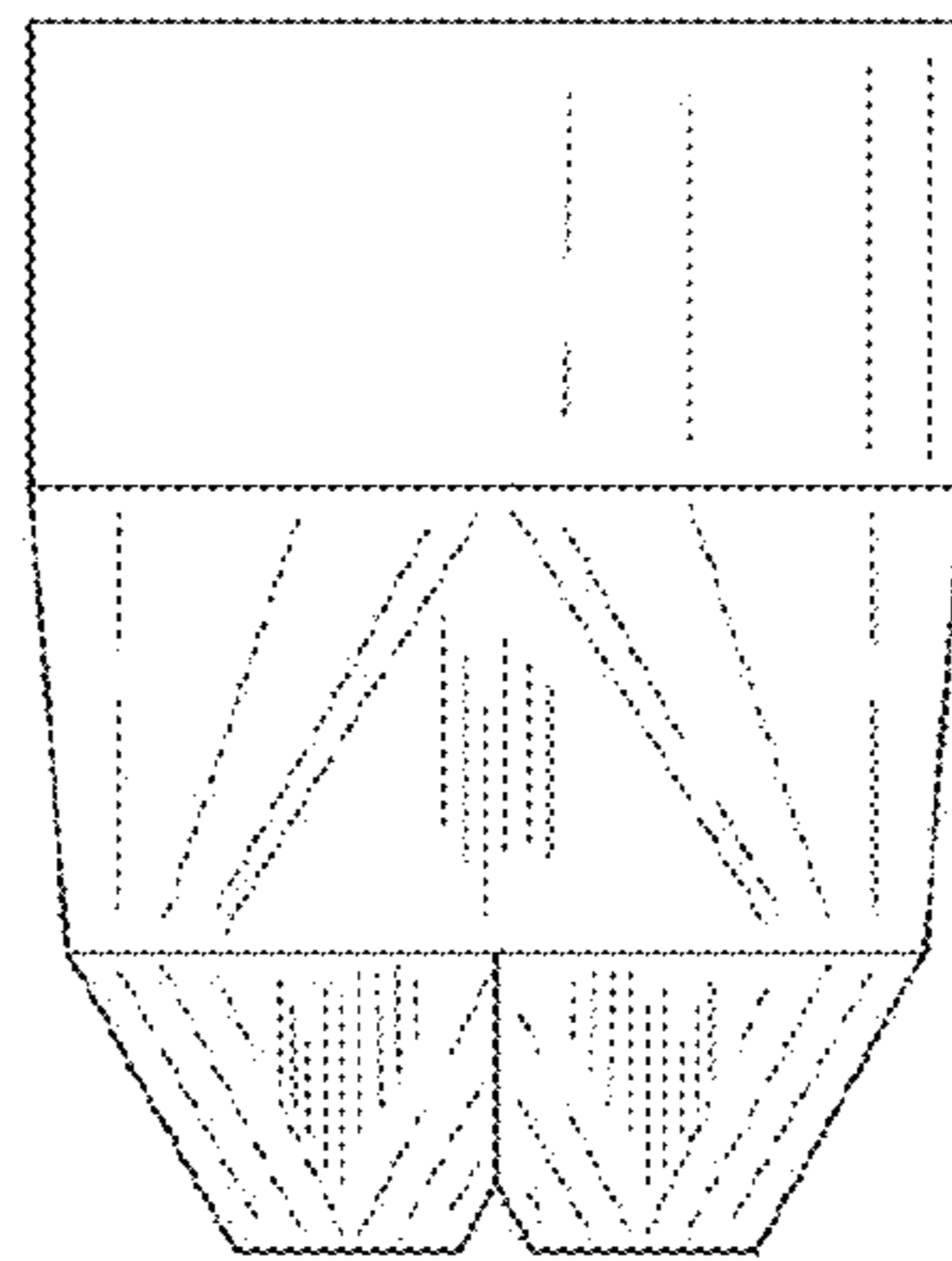


FIG. 3

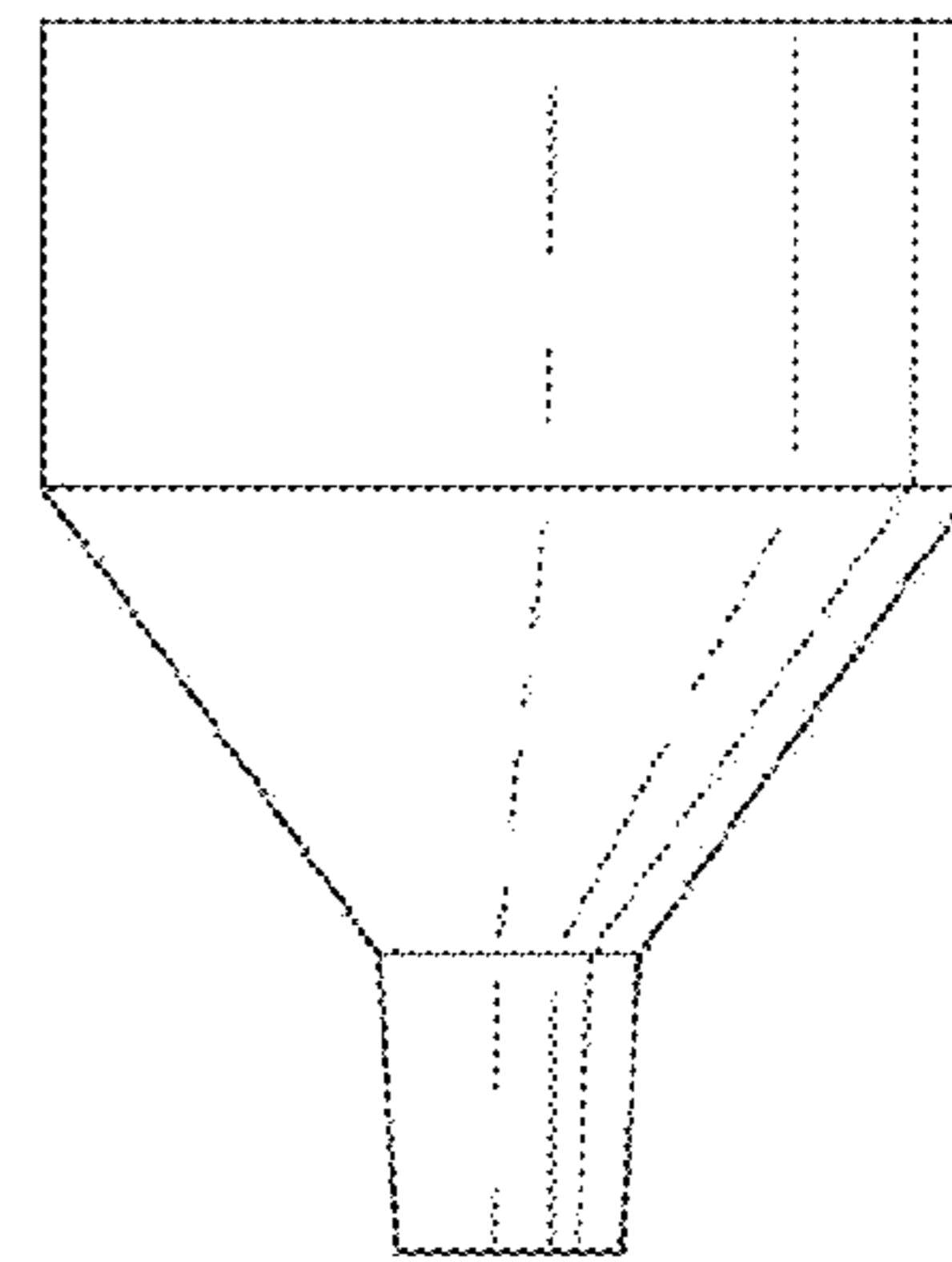


FIG. 4

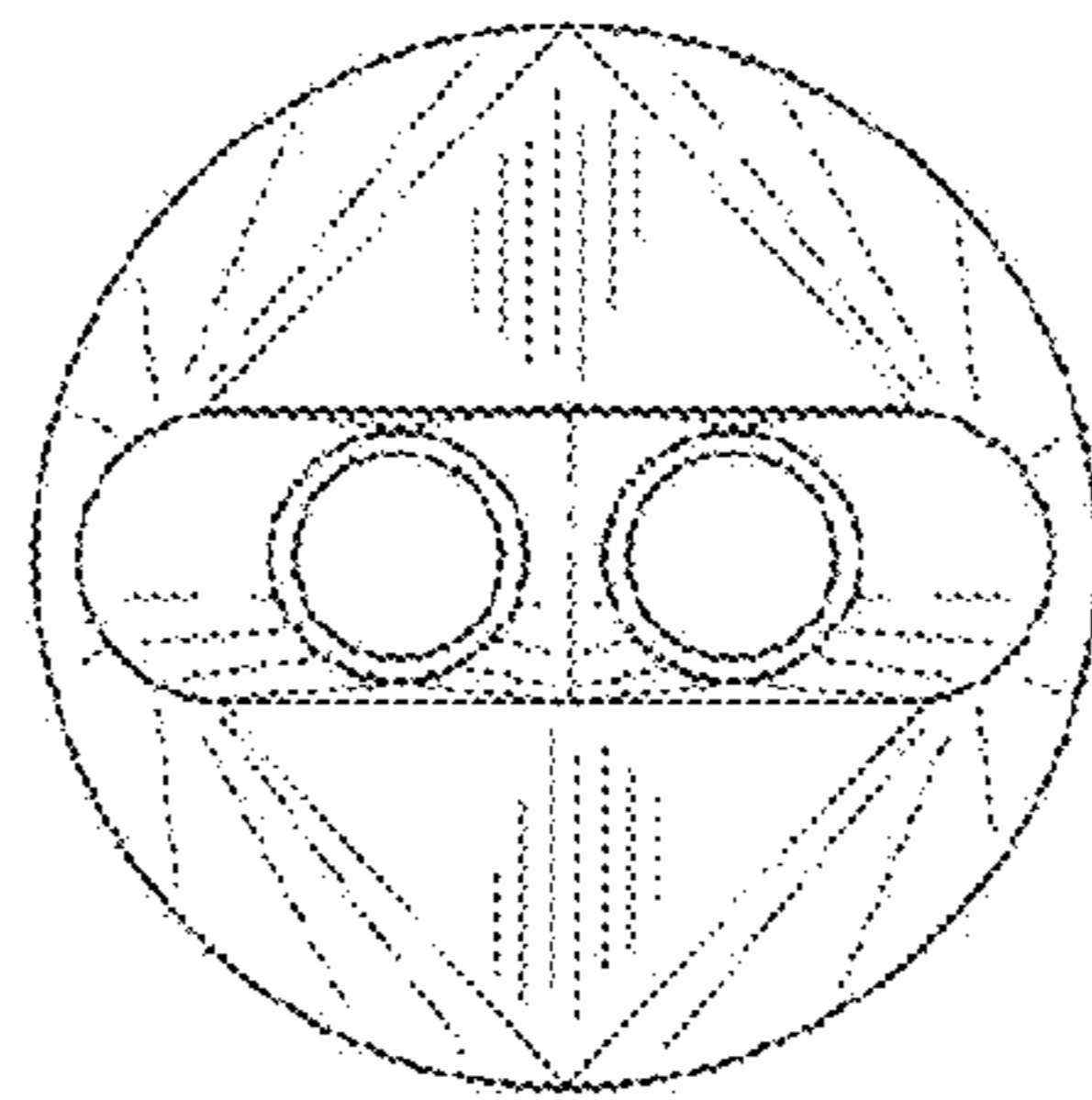


FIG. 5

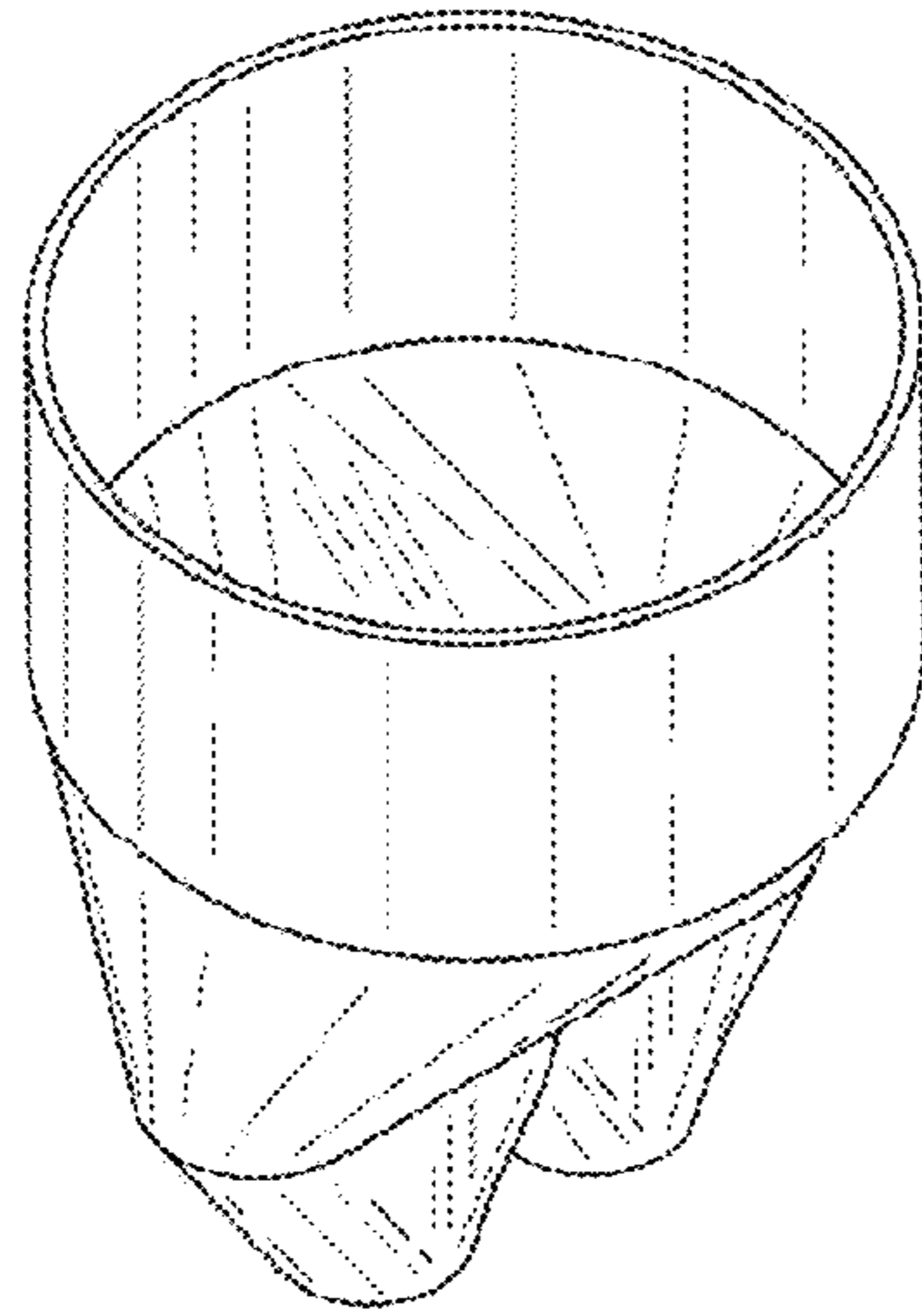


FIG. 6

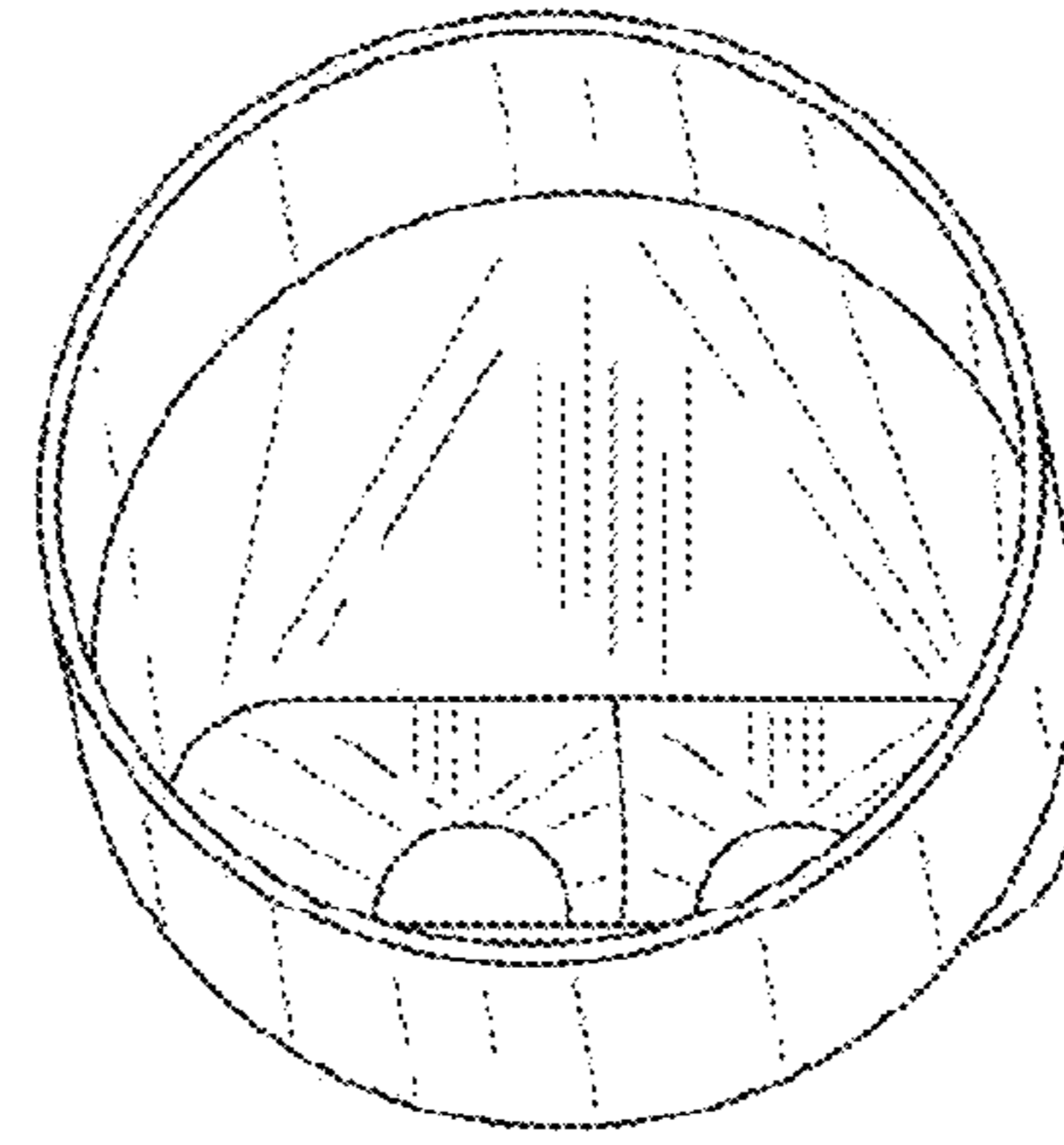


FIG. 7

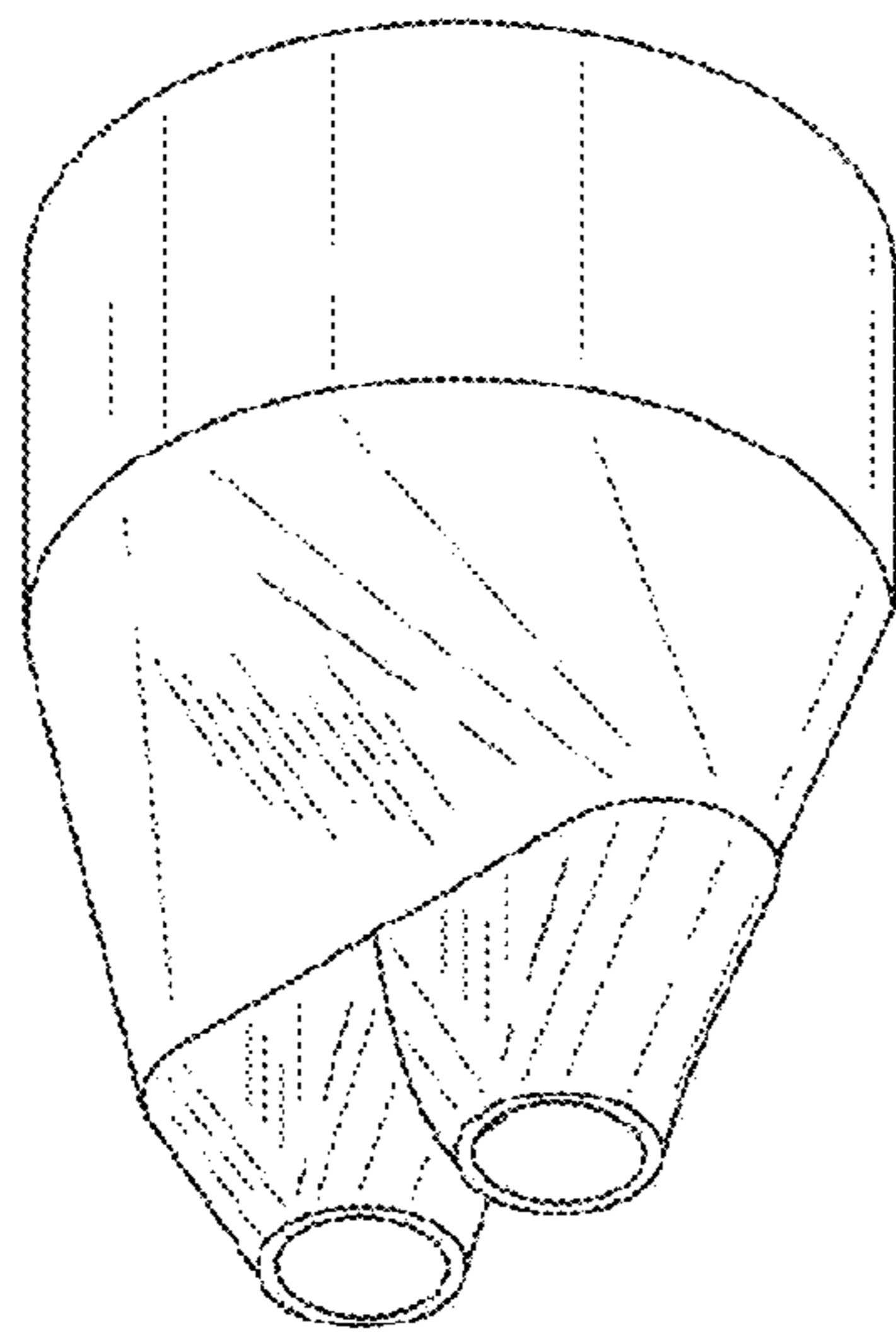


FIG. 8