



US00D731070S

(12) **United States Design Patent**  
**Benenati et al.**

(10) **Patent No.:** **US D731,070 S**  
(45) **Date of Patent:** **\*\* Jun. 2, 2015**

(54) **ORTHOPEDIC WALKER**

(71) Applicants: **Vincent A. Benenati**, Dix Hills, NY (US); **Jacy Krystal Bulaon**, Baldwin, NY (US)

(72) Inventors: **Vincent A. Benenati**, Dix Hills, NY (US); **Jacy Krystal Bulaon**, Baldwin, NY (US)

(73) Assignee: **Vincent A. Benenati**, Dix Hills, NY (US)

(\*\*) Term: **14 Years**

(21) Appl. No.: **29/444,098**

(22) Filed: **Jan. 25, 2013**

(51) **LOC (10) Cl.** ..... **24-01**

(52) **U.S. Cl.**  
USPC ..... **D24/192**

(58) **Field of Classification Search**  
USPC ..... D24/190–192; 602/2, 5, 14, 16, 22, 23, 602/27–29, 64, 65; D2/946, 947, 953, 954, D2/957, 960; 36/88, 89, 110; 128/882  
See application file for complete search history.

(56) **References Cited**

**U.S. PATENT DOCUMENTS**

3,685,176 A 8/1972 Rudy  
4,232,459 A 11/1980 Vaccari

(Continued)

**OTHER PUBLICATIONS**

FP Walker™ (Foam Pneumatic) from Aircast (see <https://www.djoglobal.com/products/aircast/fp-walker-foam-pneumatic>).

(Continued)

*Primary Examiner* — Eric Goodman  
*Assistant Examiner* — Jennifer Watkins

(74) *Attorney, Agent, or Firm* — Curran Patent Law; Kevin M. Curran, Esq.

(57) **CLAIM**

The ornamental design for an orthopedic walker, as shown and described.

**DESCRIPTION**

FIG. 1 shows a front elevation view of an orthopedic walker having bladder inflation bulbs on both right and left sides.

FIG. 2 shows a front right-side perspective view of the exemplary embodiment of FIG. 1.

FIG. 3 shows a right-side elevation view of the exemplary embodiment of FIG. 1.

FIG. 4 shows a top plan view of the exemplary embodiment of FIG. 1.

FIG. 5 shows a left-side elevation view of the exemplary embodiment of FIG. 1.

FIG. 6 shows a back elevation view of the exemplary embodiment of FIG. 1.

FIG. 7 shows a front elevation view of an orthopedic walker having a bladder inflation bulb on the right side.

FIG. 8 shows a front right-side perspective view of the exemplary embodiment of FIG. 7.

FIG. 9 shows a right-side elevation view of the exemplary embodiment of FIG. 7.

FIG. 10 shows a top plan view of the exemplary embodiment of FIG. 7.

FIG. 11 shows a left-side elevation view of the exemplary embodiment of FIG. 7.

FIG. 12 shows a back elevation view of the exemplary embodiment of FIG. 7.

FIG. 13 shows a front elevation view of an orthopedic walker having a bladder inflation bulb on the left side.

FIG. 14 shows a front right-side perspective view of the exemplary embodiment of FIG. 13.

FIG. 15 shows a right-side elevation view of the exemplary embodiment of FIG. 13.

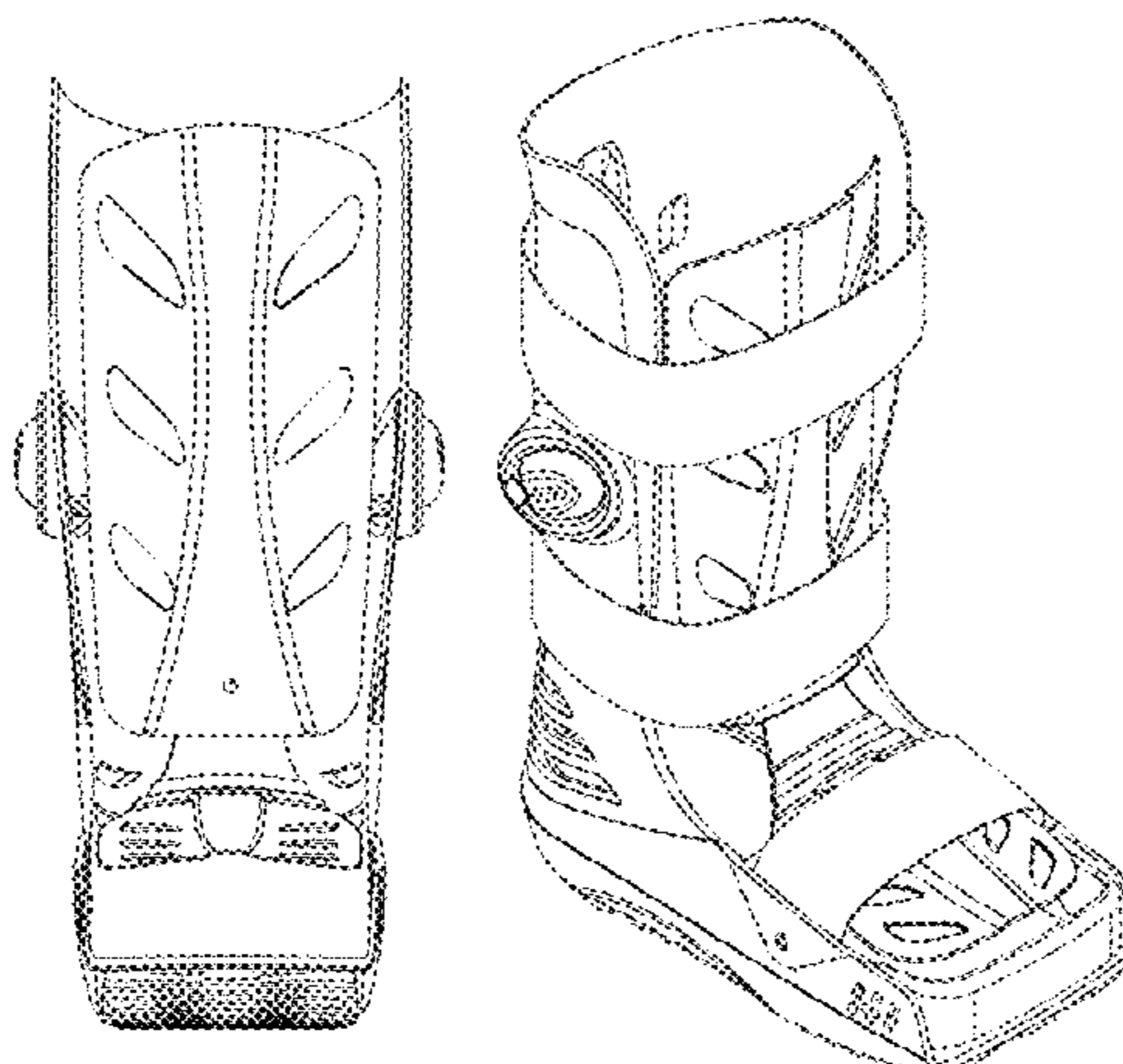
FIG. 16 shows a top plan view of the exemplary embodiment of FIG. 13.

FIG. 17 shows a left-side elevation view of the exemplary embodiment of FIG. 13; and,

FIG. 18 shows a back elevation view of the exemplary embodiment of FIG. 13.

The broken lines are for illustrative purposes only to depict environmental and supplementary structures. The broken lines illustrate portions of the orthopedic walker which form no part of the claimed design.

**1 Claim, 18 Drawing Sheets**



(56)

**References Cited**

U.S. PATENT DOCUMENTS

5,577,998 A 11/1996 Johnson et al.  
 5,833,639 A 11/1998 Nunes et al.  
 5,868,690 A 2/1999 Eischen  
 6,021,780 A 2/2000 Darby  
 6,485,447 B1 11/2002 Lavery  
 D500,855 S 1/2005 Pick et al.  
 7,010,823 B2 3/2006 Baek  
 7,597,674 B2 10/2009 Hu et al.  
 D614,775 S \* 4/2010 Snively ..... D24/192  
 D616,556 S \* 5/2010 Hu ..... D24/192  
 D634,438 S \* 3/2011 Hu ..... D24/192  
 D634,852 S 3/2011 Hu  
 7,896,826 B2 3/2011 Hu et al.  
 D643,537 S \* 8/2011 Lee ..... D24/192  
 8,002,724 B2 8/2011 Hu et al.  
 D662,598 S \* 6/2012 Anderson et al. .... D24/192  
 D664,259 S \* 7/2012 Joseph ..... D24/192  
 D693,471 S \* 11/2013 Bradshaw ..... D24/192

8,574,181 B2 \* 11/2013 Bird et al. .... 602/13  
 8,657,767 B2 \* 2/2014 Chan ..... 602/16  
 D703,335 S \* 4/2014 Bird et al. .... D24/192  
 2004/0019307 A1 \* 1/2004 Grim et al. .... 602/27  
 2005/0145256 A1 \* 7/2005 Howard et al. .... 128/882  
 2005/0172517 A1 \* 8/2005 Bledsoe et al. .... 36/110  
 2005/0274046 A1 \* 12/2005 Schwartz ..... 36/110  
 2007/0010770 A1 1/2007 Gildersleeve  
 2008/0083135 A1 \* 4/2008 Hammerslag et al. .... 36/50.5  
 2009/0227927 A1 9/2009 Frazer  
 2009/0287128 A1 11/2009 Ingimundarson  
 2010/0234782 A1 9/2010 Hu et al.  
 2012/0078148 A1 3/2012 Hu et al.  
 2013/0066247 A1 \* 3/2013 Bird et al. .... 602/13  
 2014/0128789 A1 \* 5/2014 Chen ..... 602/23

OTHER PUBLICATIONS

Rebound® Air Walkerfrom OSSUR (see <http://www.ossur.com/?PageID=13644>).

\* cited by examiner

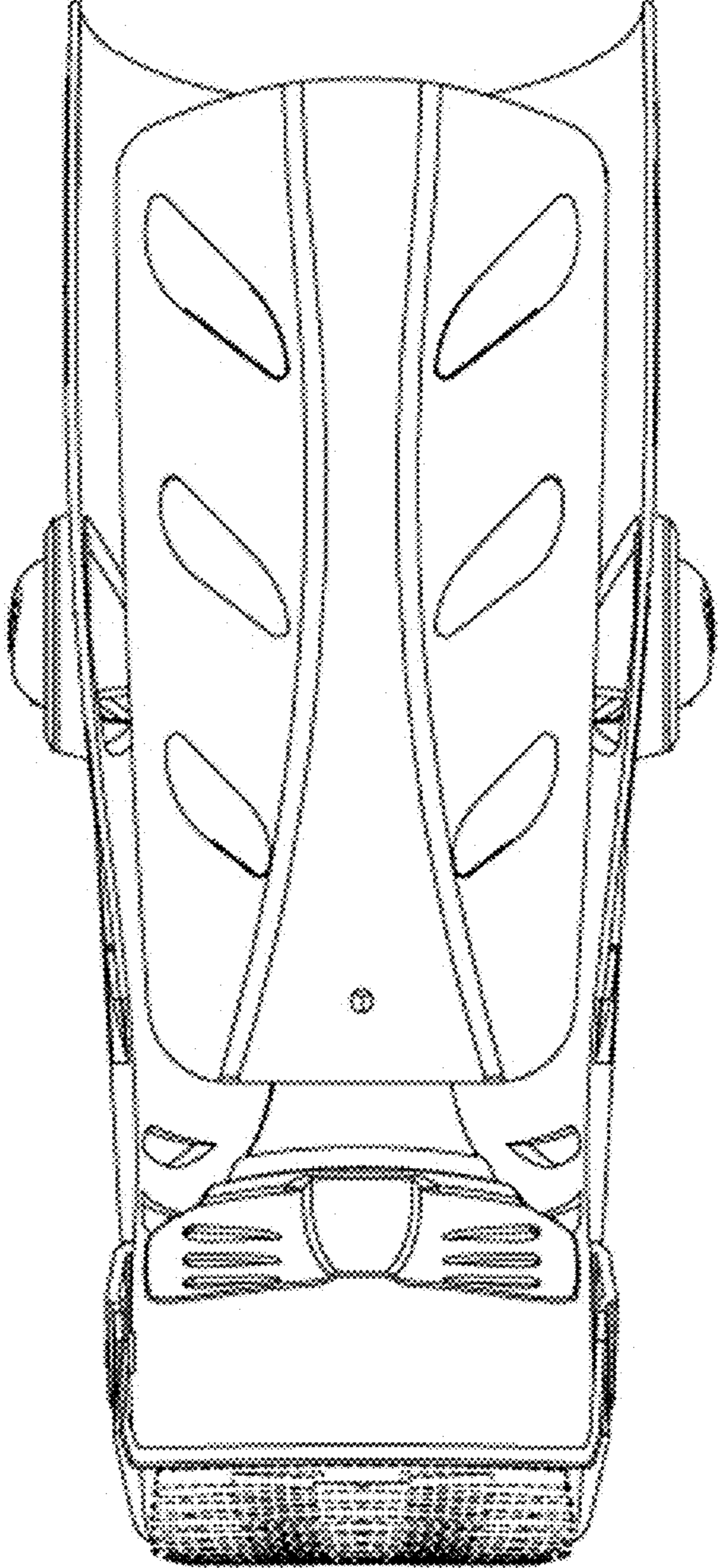


Fig 1

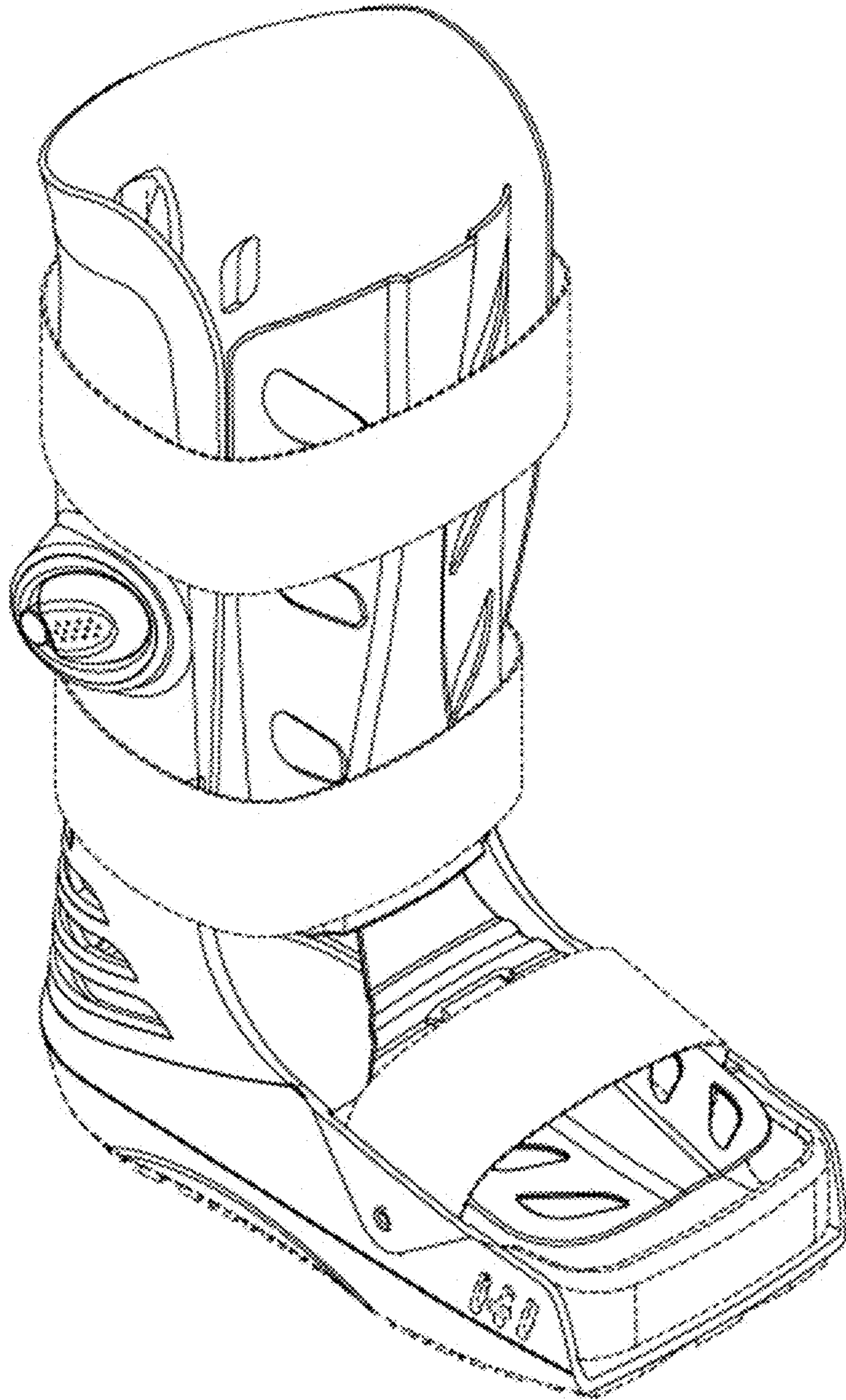


Fig 2

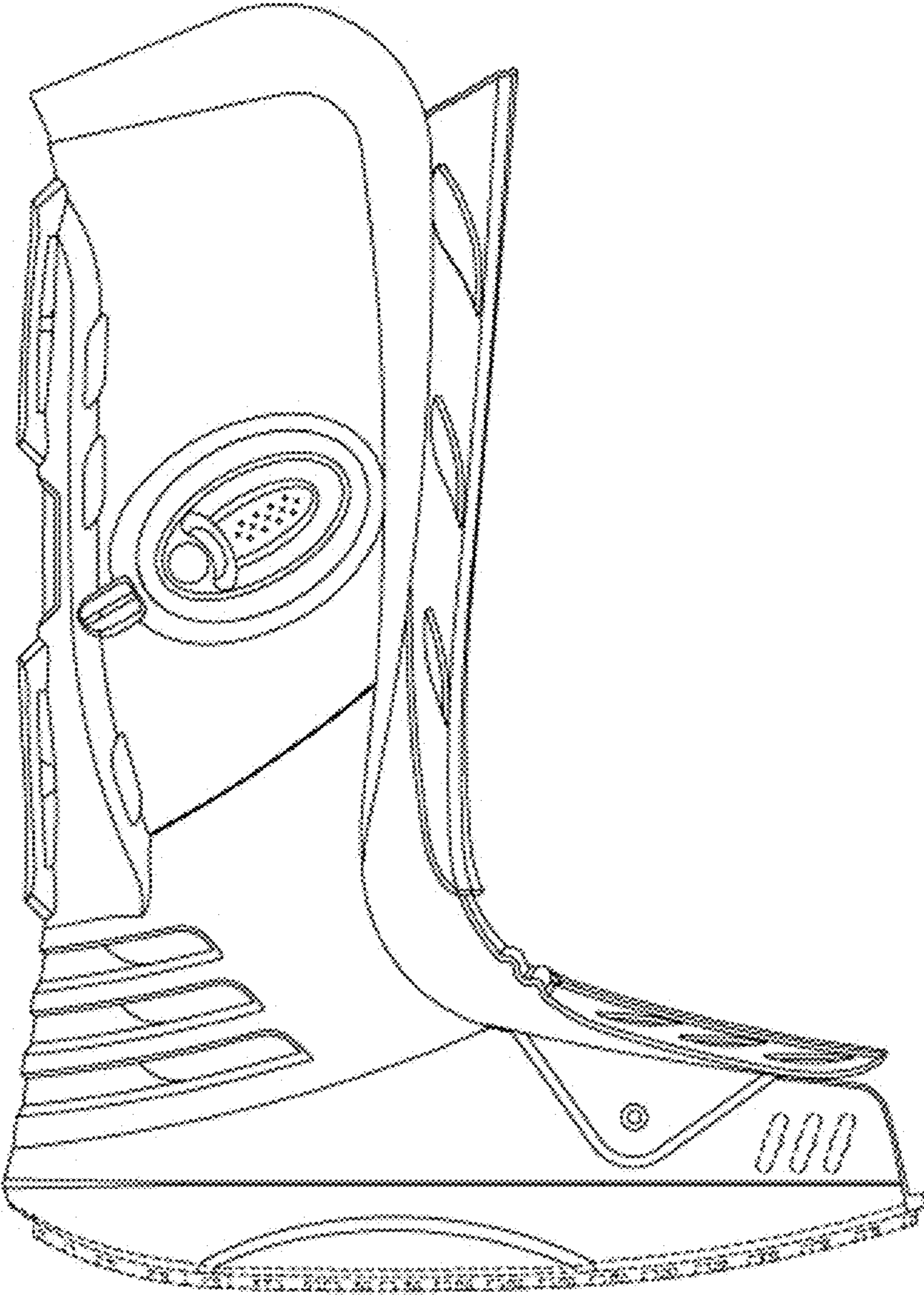


Fig 3

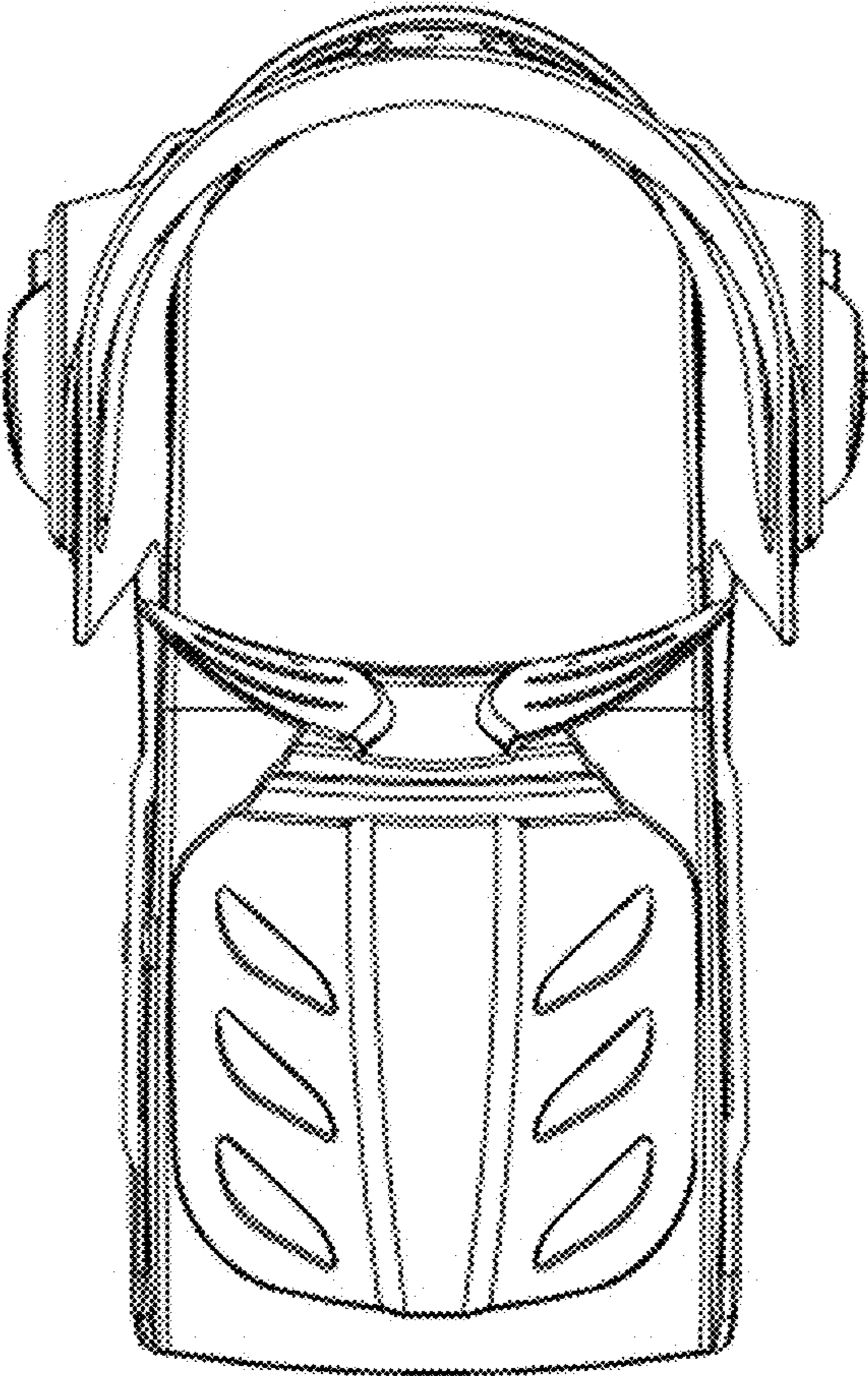


Fig 4

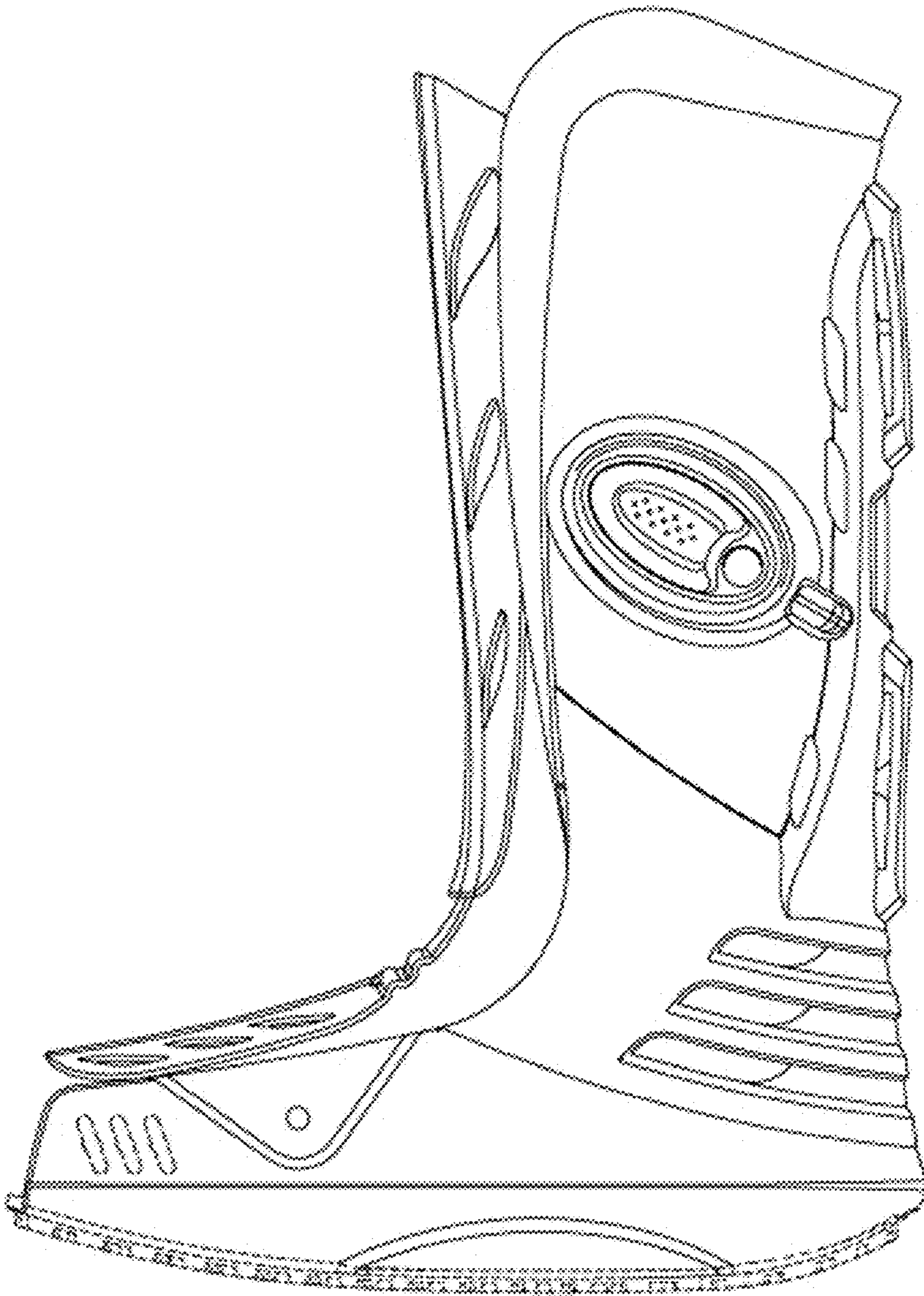


Fig 5

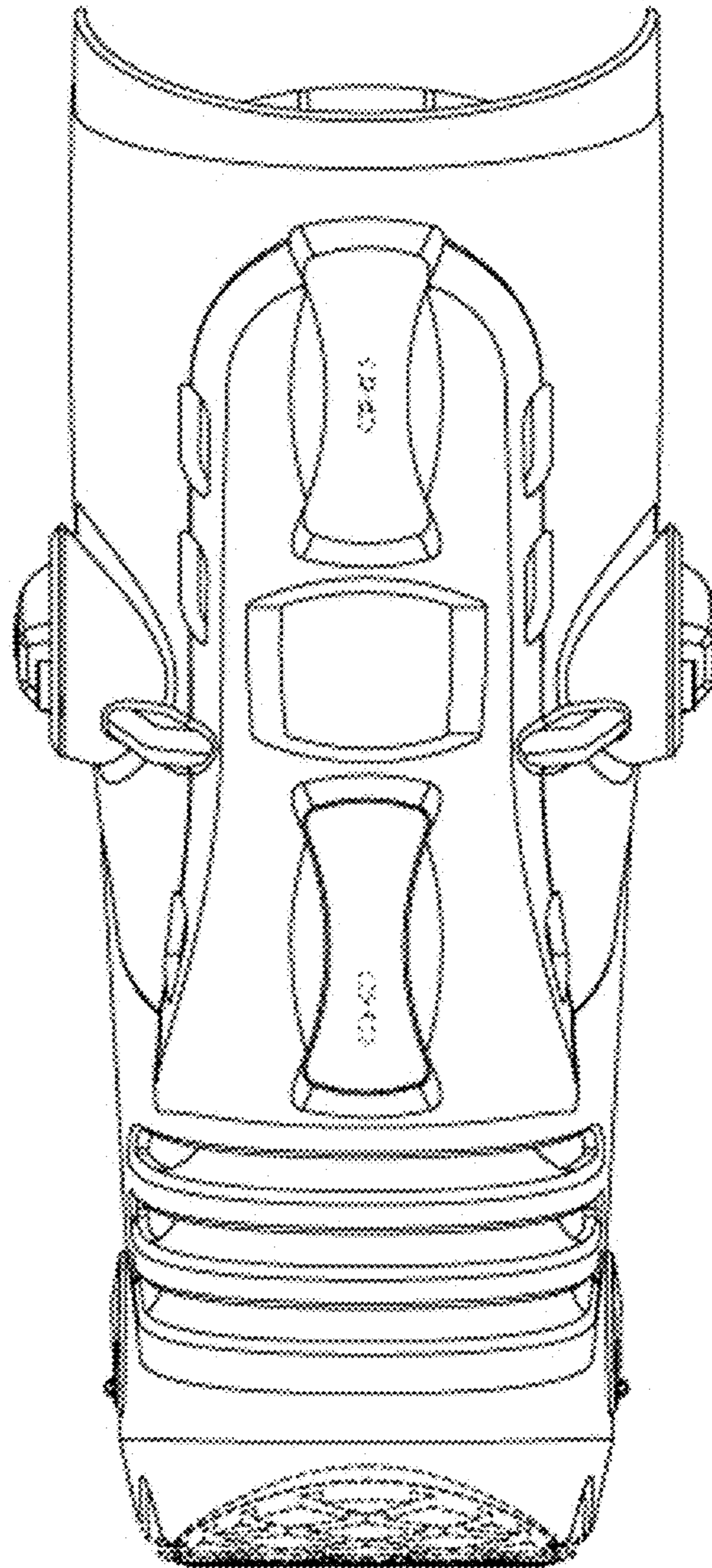


Fig 6



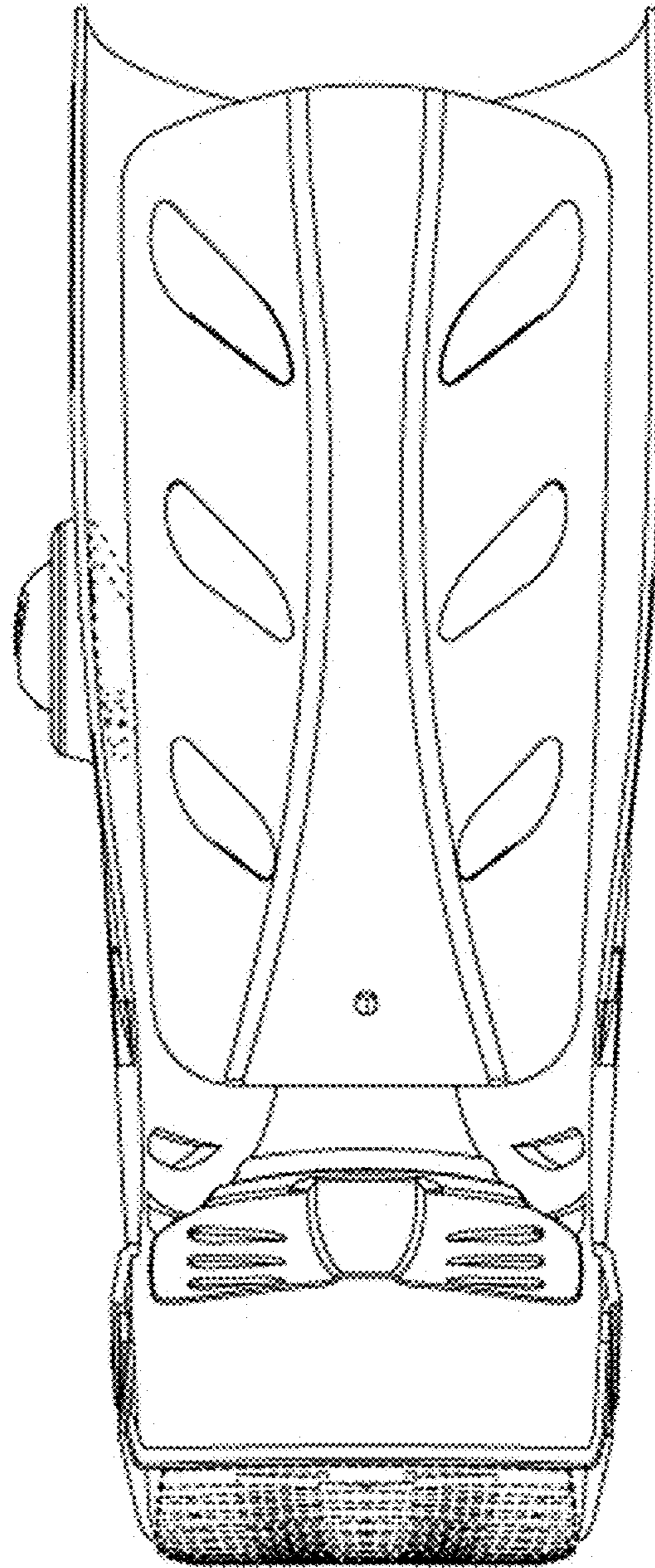


Fig 7

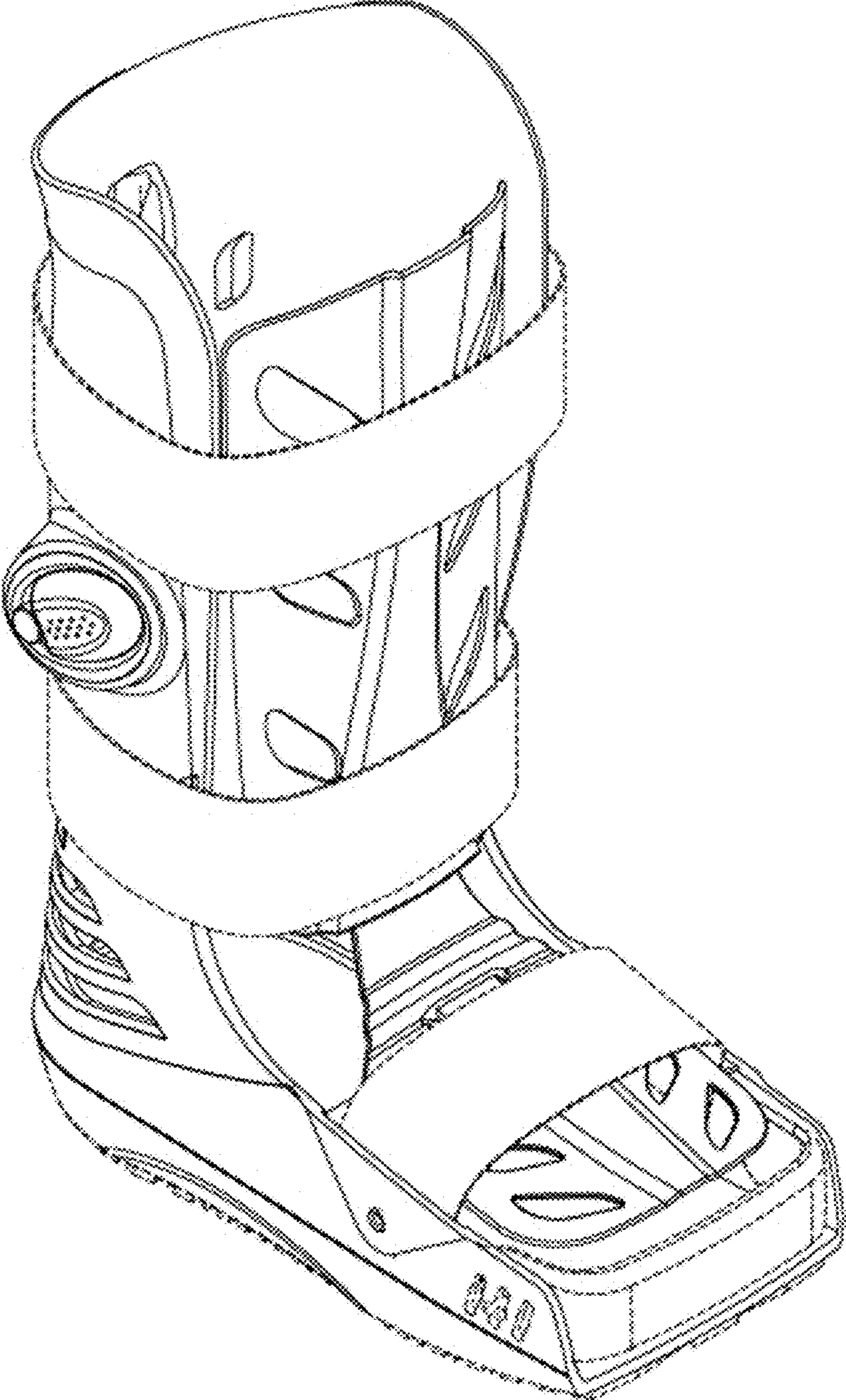
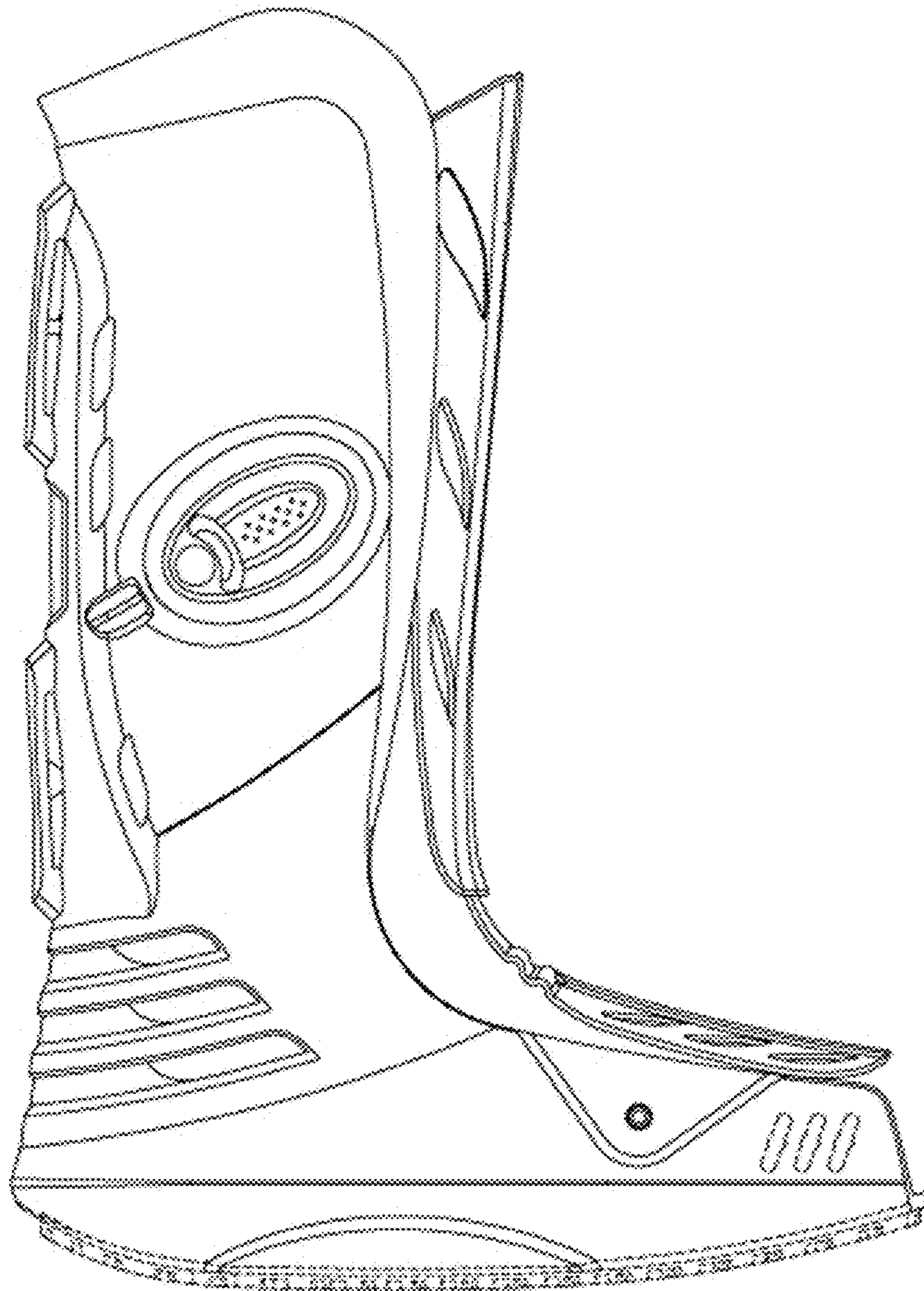


Fig 8



**Fig 9**

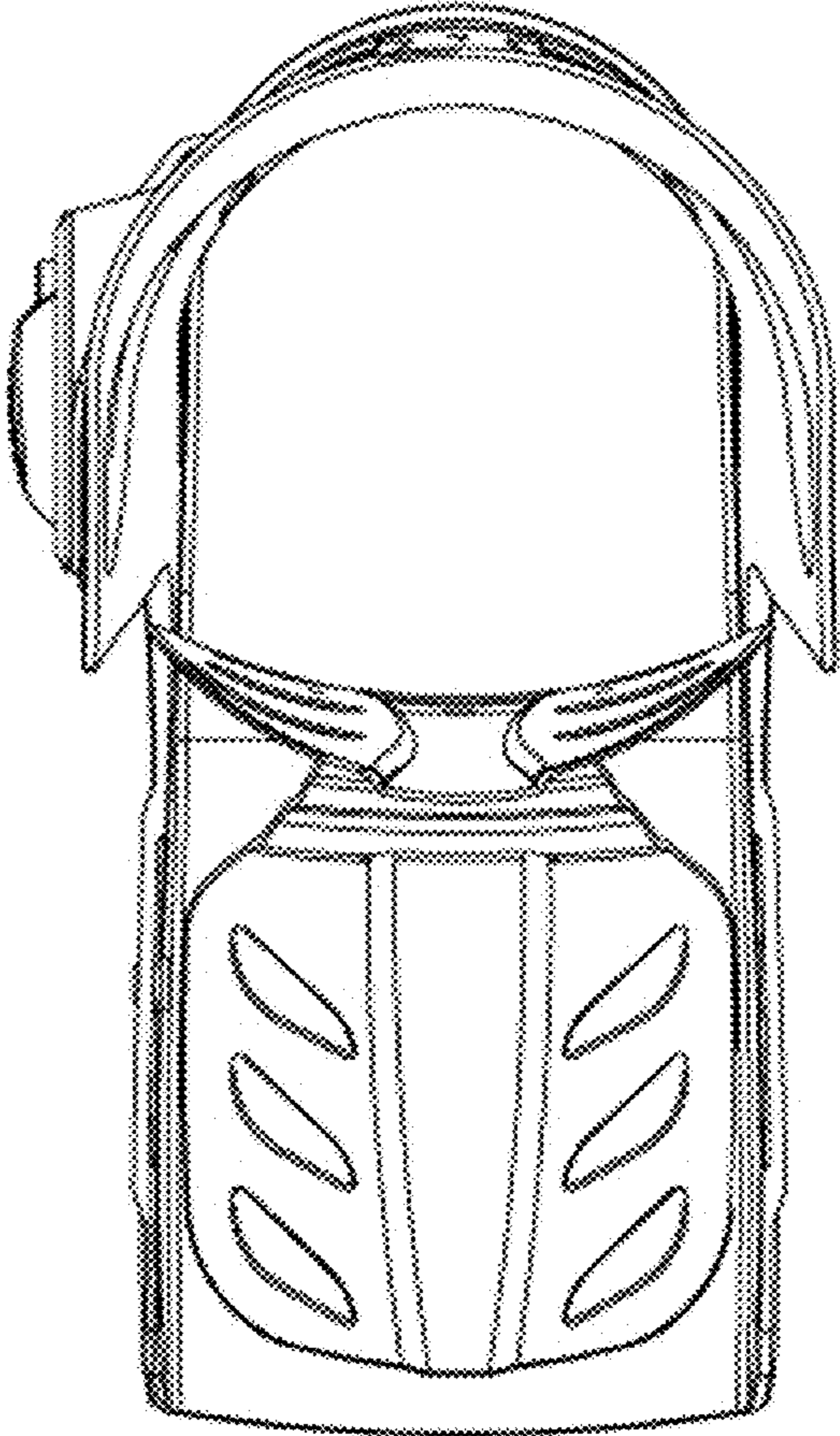
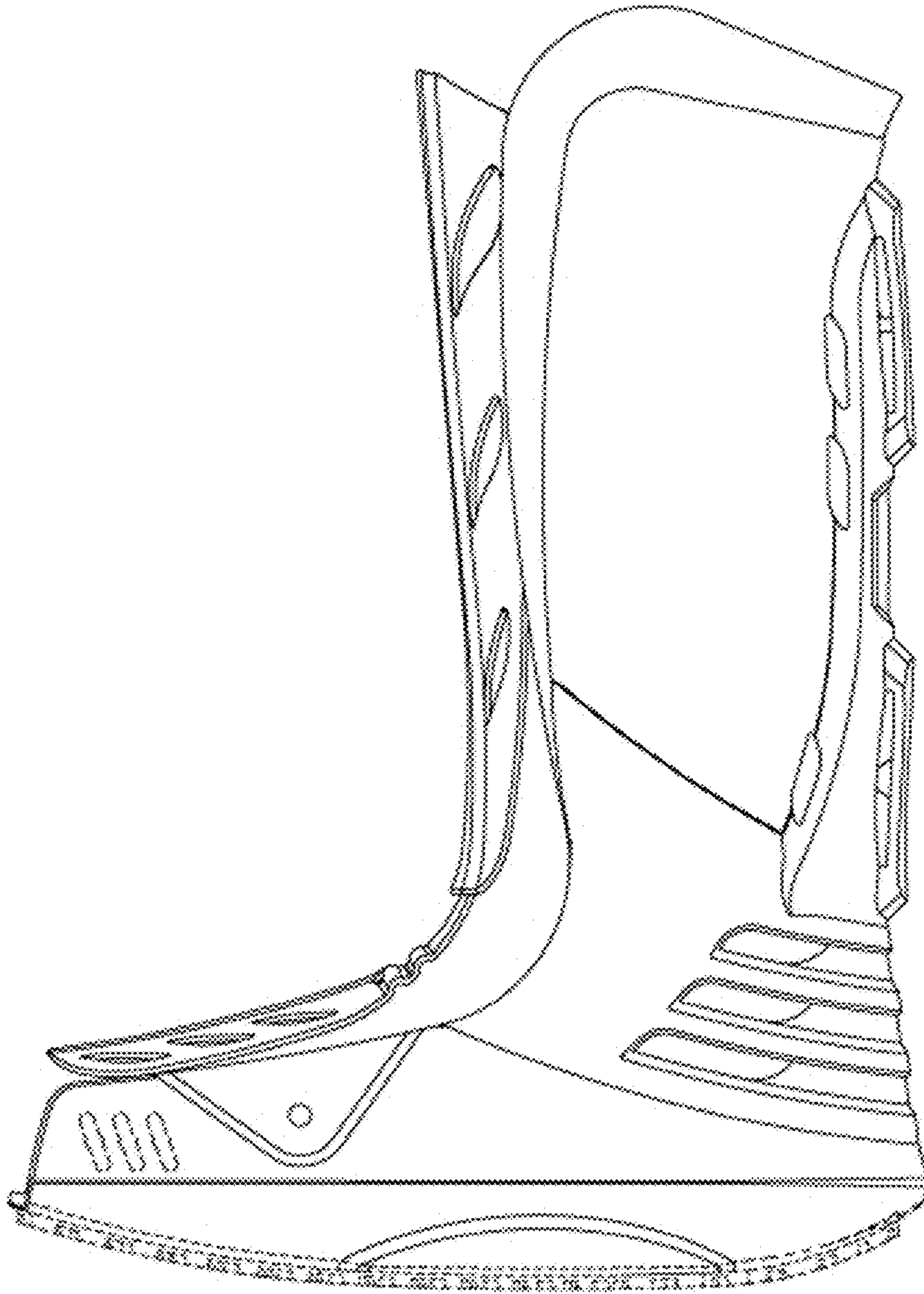


Fig 10



**Fig 11**

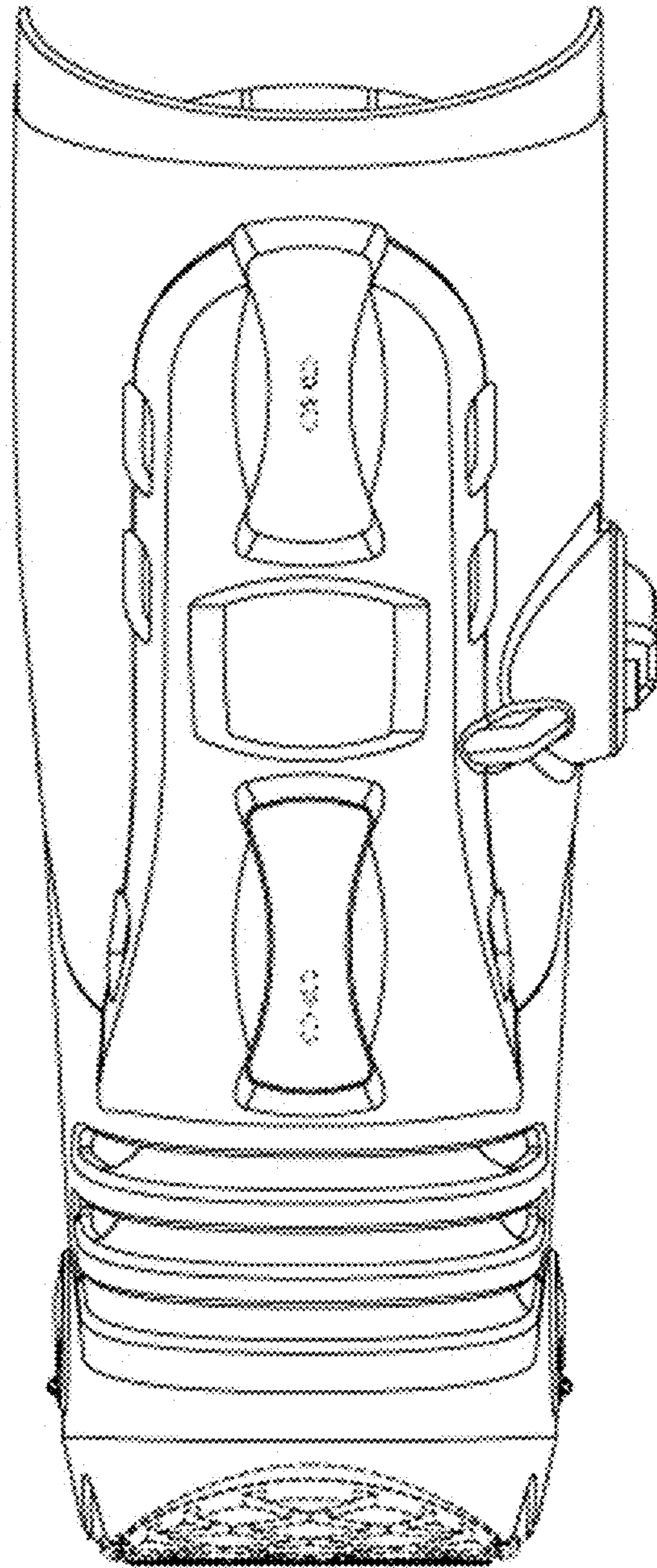


Fig 12

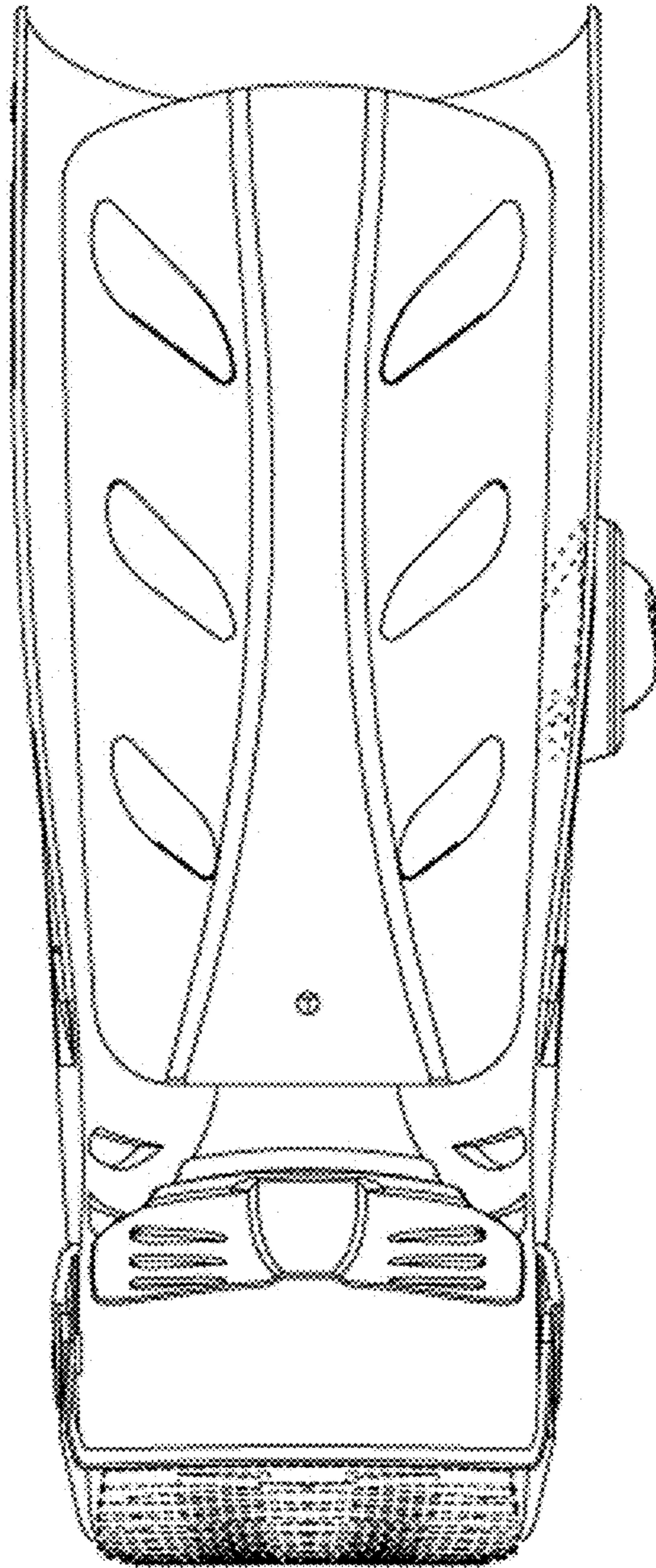


Fig 13

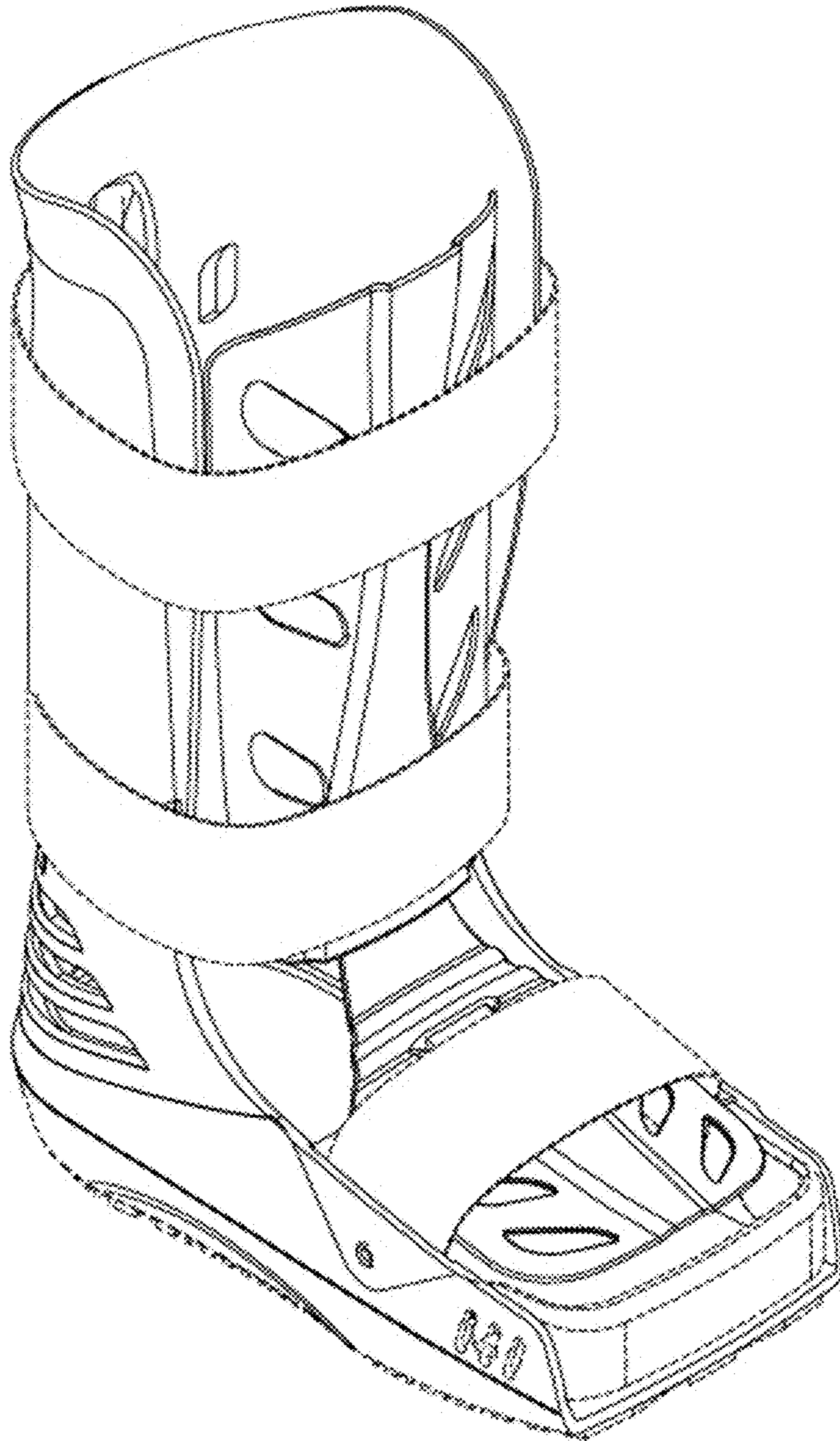


Fig 14



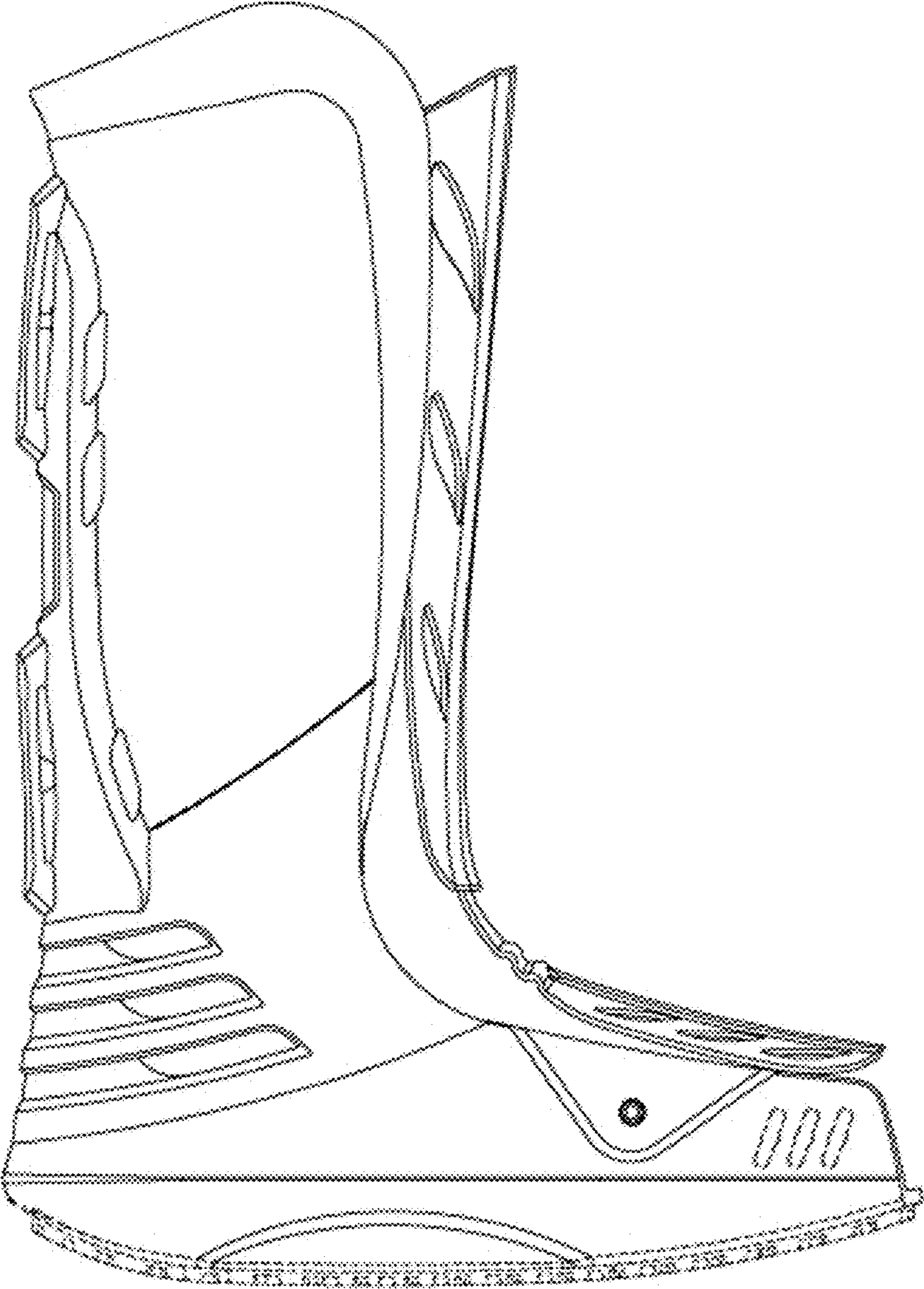
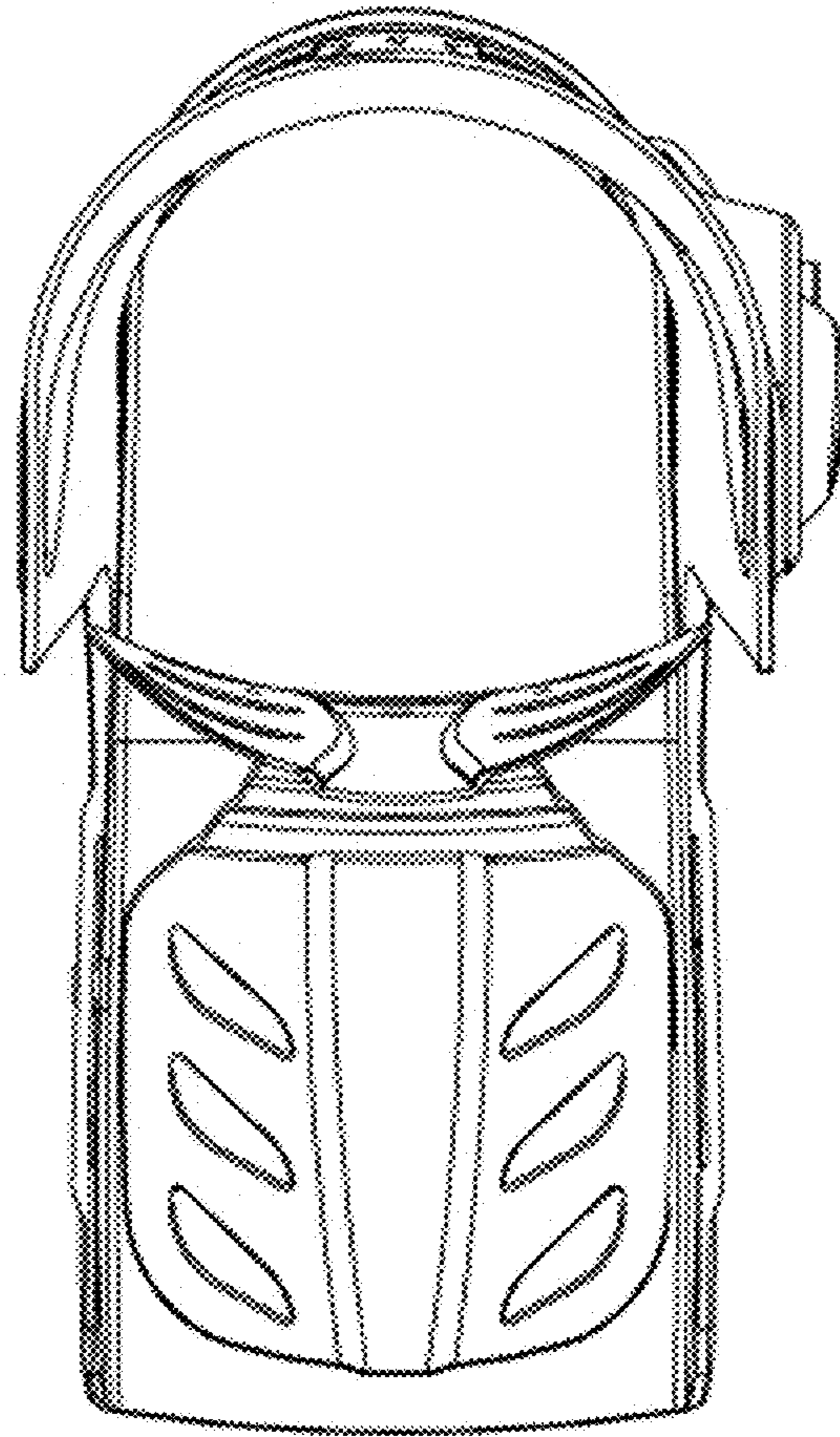


Fig 15



**Fig 16**

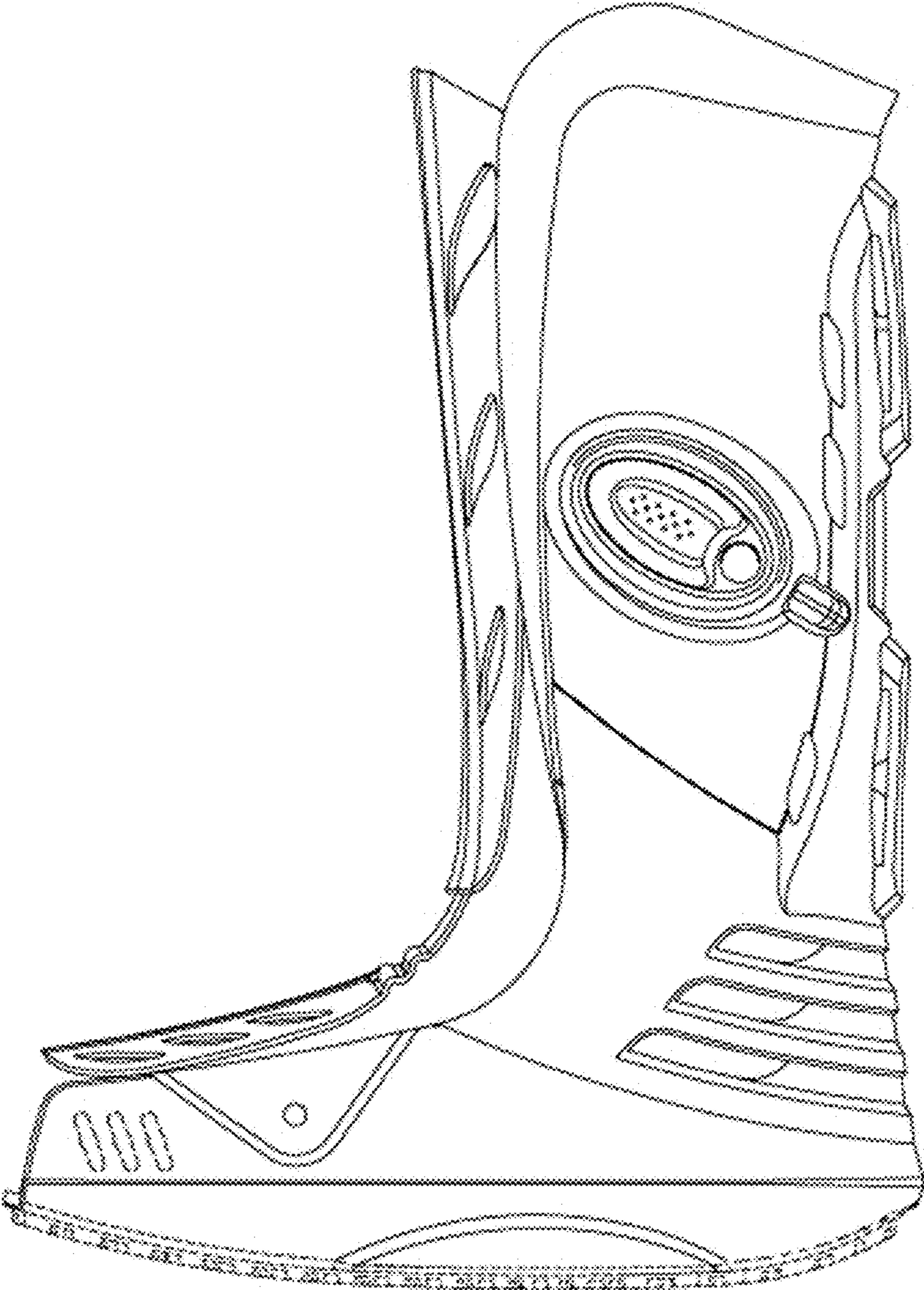


Fig 17

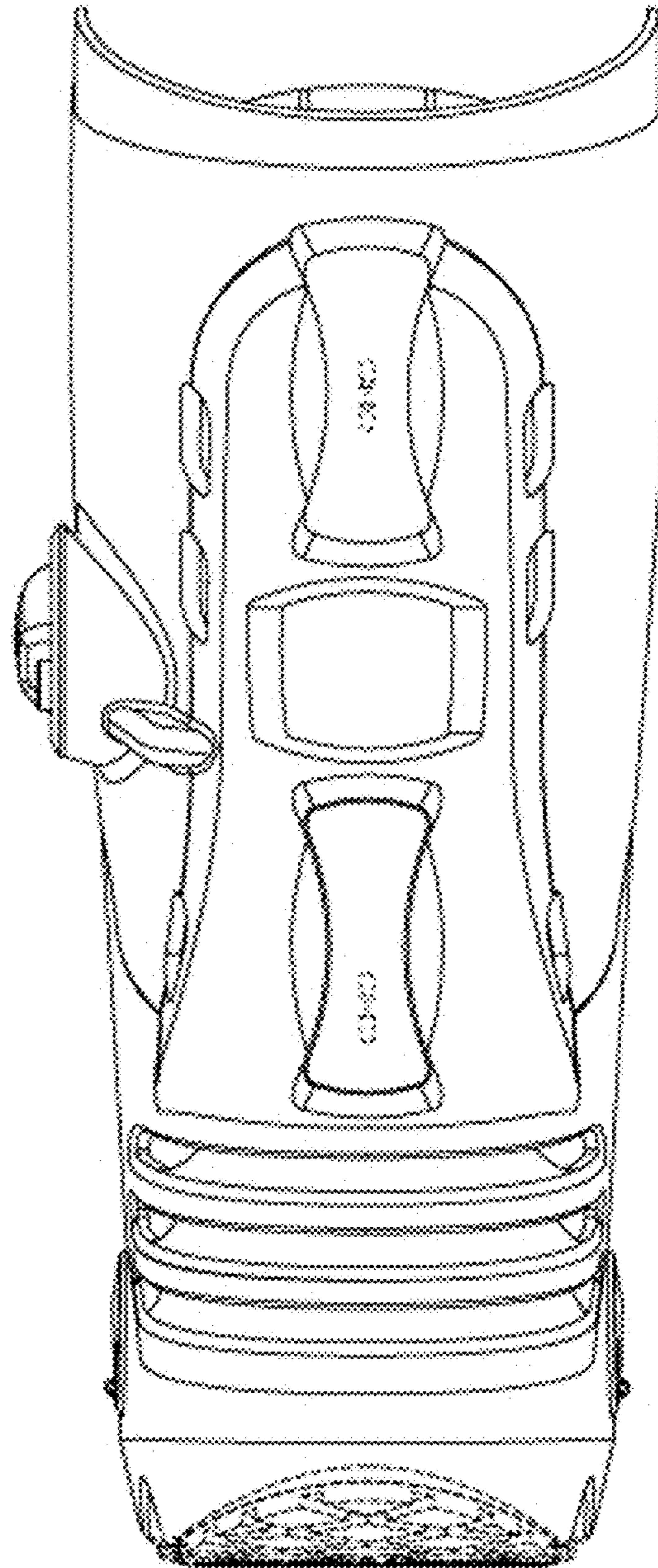


Fig 18