



US00D731068S

(12) **United States Design Patent**
Moon et al.

(10) **Patent No.:** **US D731,068 S**
(45) **Date of Patent:** **** Jun. 2, 2015**

(54) **MEDICAL RADIOGRAPHY TABLE**

(75) Inventors: **Jae-Hwa Moon**, Seoul (KR);
Jung-Hoon Kim, Seoul (KR); **Jun-Pil Moon**, Seoul (KR)

(73) Assignee: **Samsung Electronics Co., Ltd.**,
Suwon-si (KR)

(**) Term: **14 Years**

(21) Appl. No.: **29/417,508**

(22) Filed: **Apr. 4, 2012**

(30) **Foreign Application Priority Data**

Oct. 20, 2011 (KR) 30-2011-0043797

(51) **LOC (10) Cl.** **24-01**

(52) **U.S. Cl.**
USPC **D24/183**

(58) **Field of Classification Search**

USPC D24/183-184, 200, 158-159; D6/382;
5/600, 601, 607-611, 614, 616,
5/621-624; 108/1, 4

CPC A61G 13/00; A61G 13/0009; A61G
13/0018; A61G 13/0027; A61G 13/0036;
A61G 13/009; A61G 13/02-13/10; A61B
6/04; A61B 6/0407; A61B 6/0457; A61B
6/0442

See application file for complete search history.

(56) **References Cited**

U.S. PATENT DOCUMENTS

3,452,977 A * 7/1969 Ryman 5/601
D221,910 S * 9/1971 Brengord D24/183
3,868,103 A * 2/1975 Pageot et al. 5/614
4,195,829 A * 4/1980 Reser 5/607

4,508,387 A * 4/1985 Gilbert et al. 297/423.19
4,761,000 A * 8/1988 Fisher et al. 5/608
5,528,782 A * 6/1996 Pfeuffer et al. 5/611
5,661,859 A * 9/1997 Schaefer 5/621
D439,670 S * 3/2001 Sommer D24/183
D441,868 S * 5/2001 Rodenas Santiago
et al. D24/183
D453,968 S * 2/2002 Zachrisson D24/183
6,484,334 B1 * 11/2002 Borders et al. 5/600
6,832,398 B2 * 12/2004 Borders et al. 5/600
D630,330 S * 1/2011 Baba D24/159
D701,605 S * 3/2014 Ohmukai D24/183

* cited by examiner

Primary Examiner — T. Chase Nelson

Assistant Examiner — Mark Cavanna

(74) *Attorney, Agent, or Firm* — NSIP Law

(57) **CLAIM**

The ornamental design for a medical radiography table, as shown and described.

DESCRIPTION

FIG. 1 is a perspective view of a medical radiography table; FIG. 2 is a front view of the medical radiography table of FIG. 1;

FIG. 3 is a rear view of the medical radiography table of FIG. 1;

FIG. 4 is a left-side view of the medical radiography table of FIG. 1;

FIG. 5 is right-side view of the medical radiography table of FIG. 1;

FIG. 6 is a top plan view of the medical radiography table of FIG. 1; and,

FIG. 7 is a bottom plan view of the medical radiography table of FIG. 1.

Features provided in evenly spaced broken lines in FIGS. 1-5 and 7 form no part of the claimed design.

1 Claim, 6 Drawing Sheets

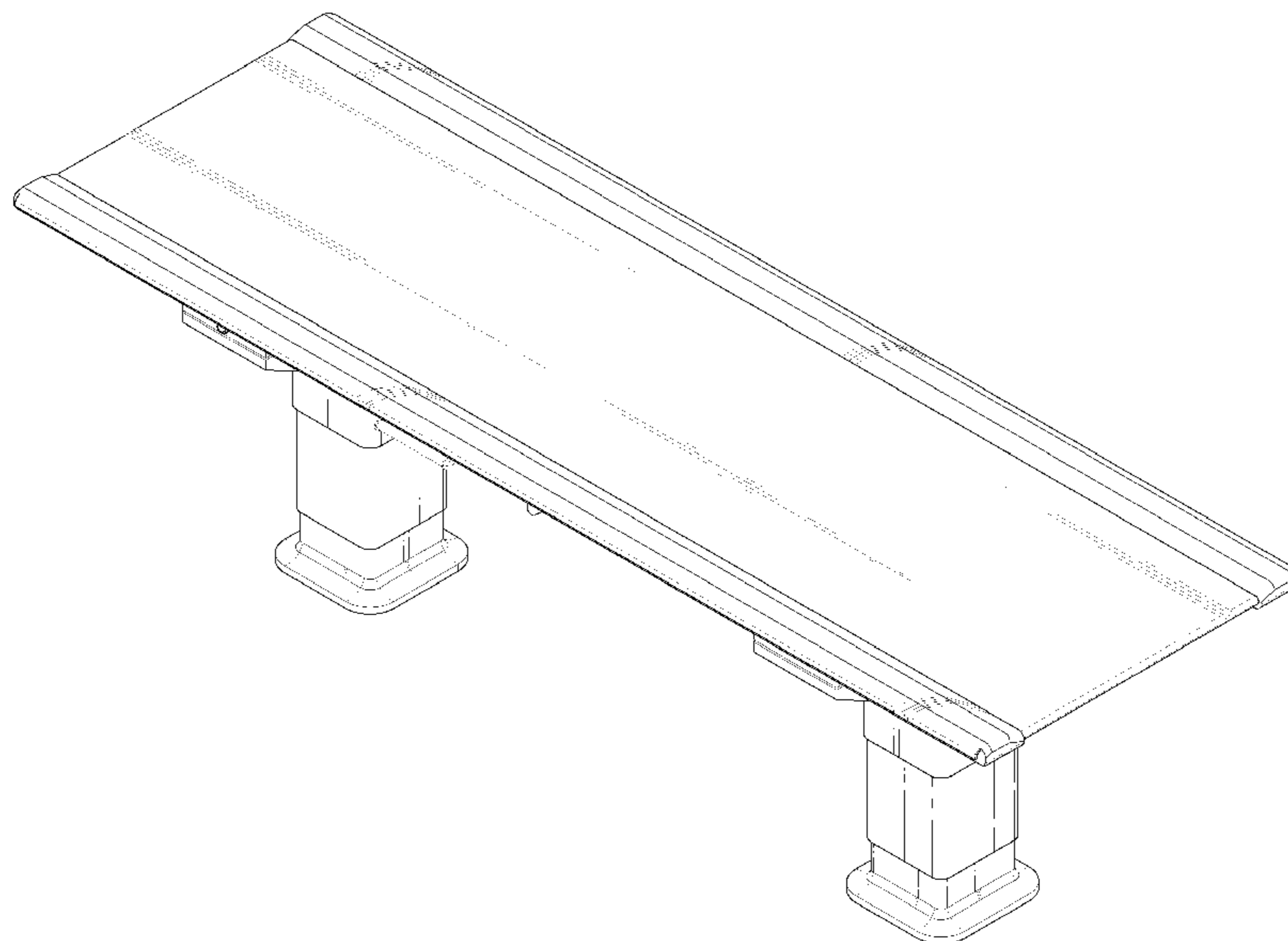


FIG. 1

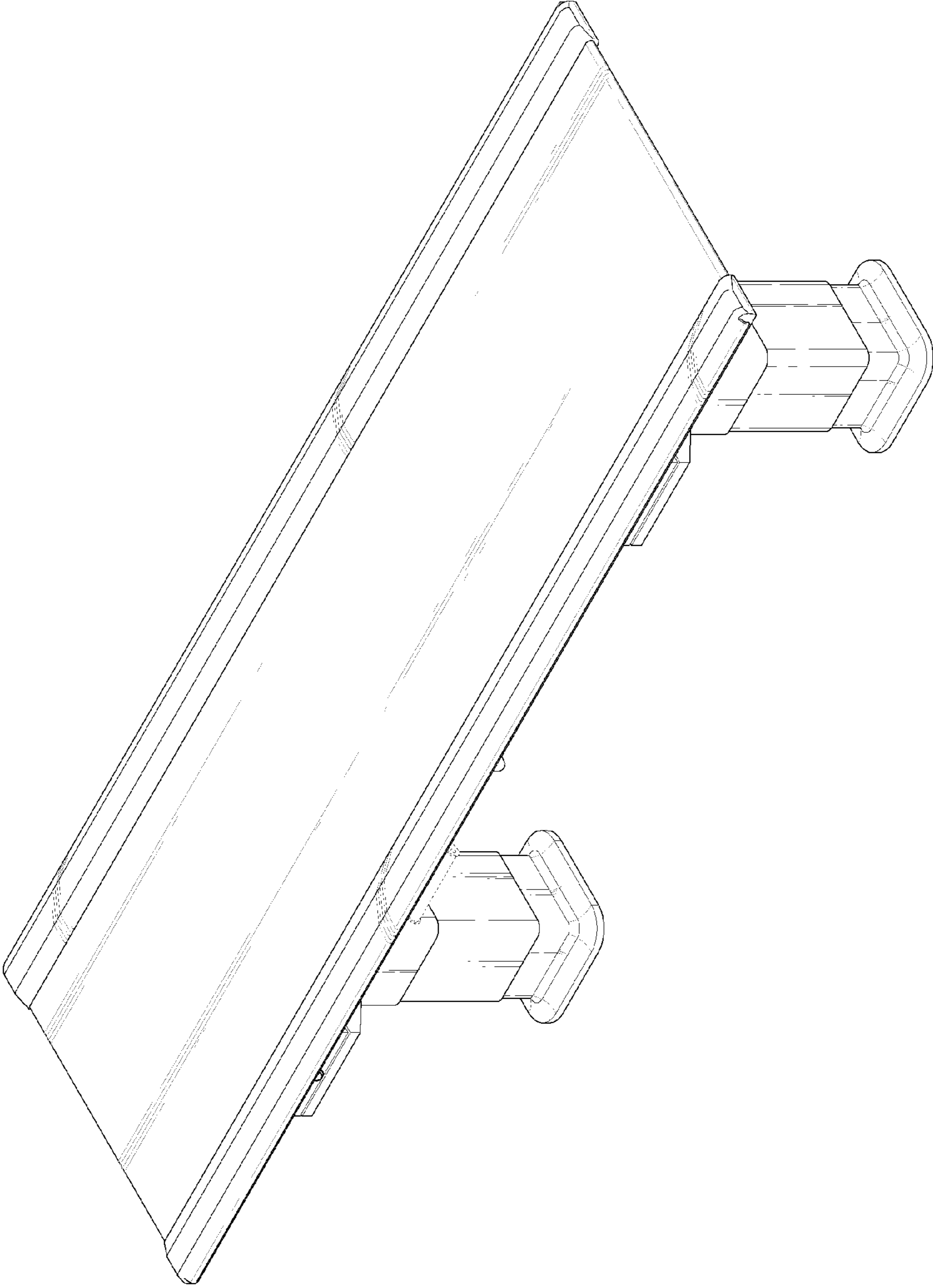


FIG. 2

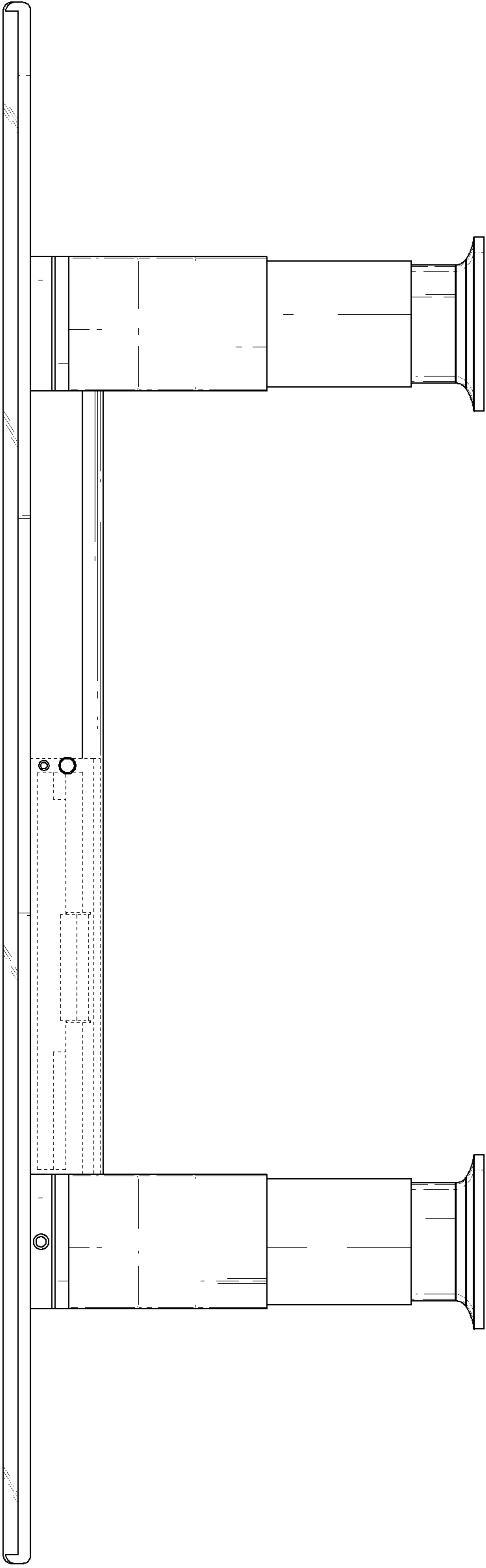


FIG. 3

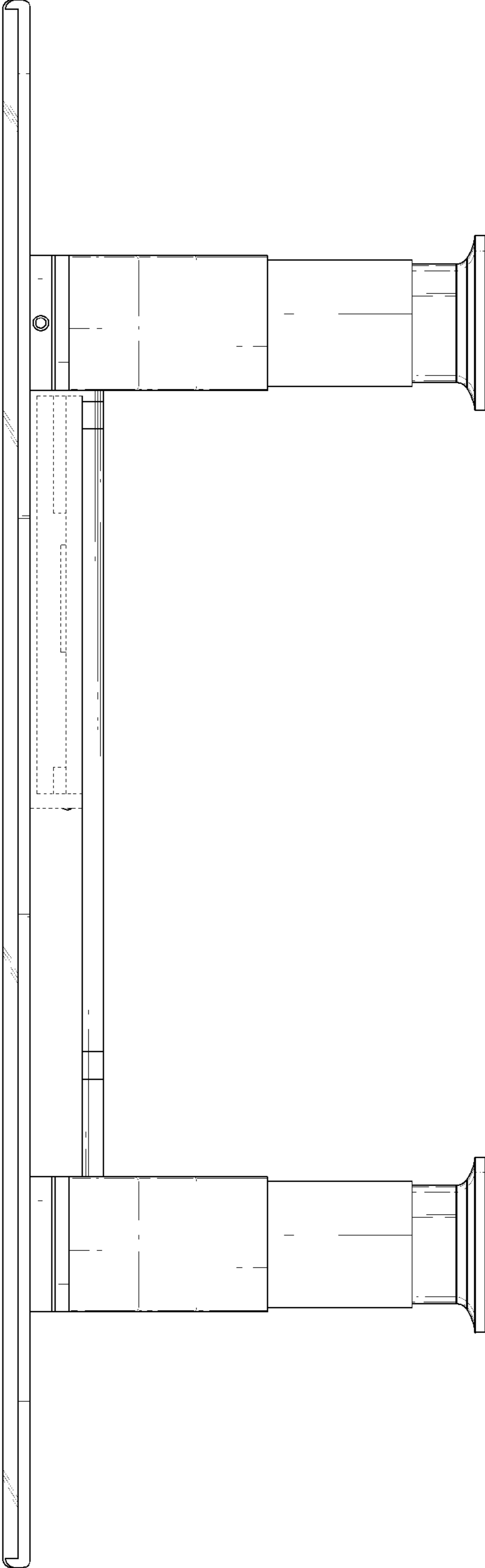


FIG. 5

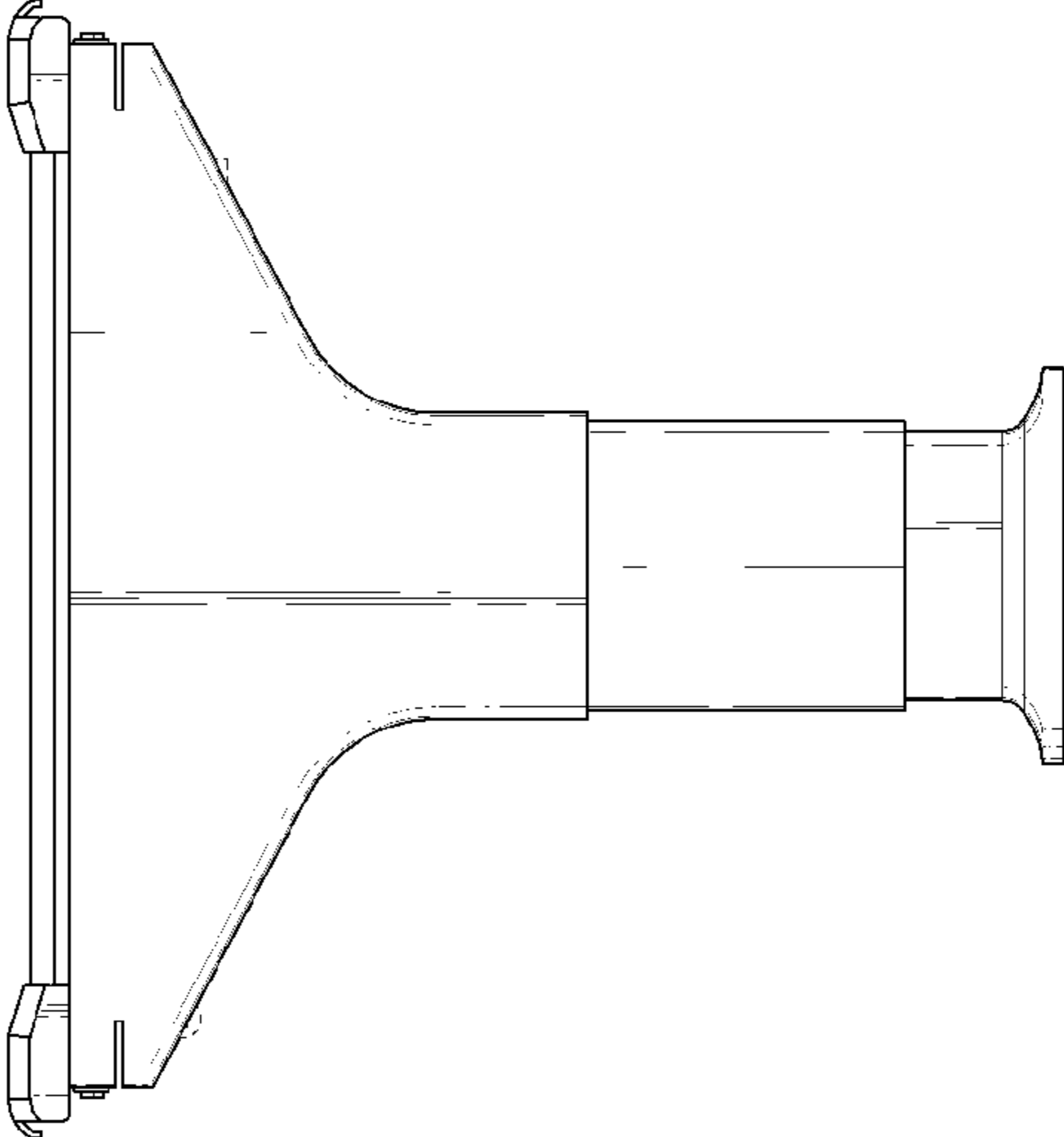


FIG. 4

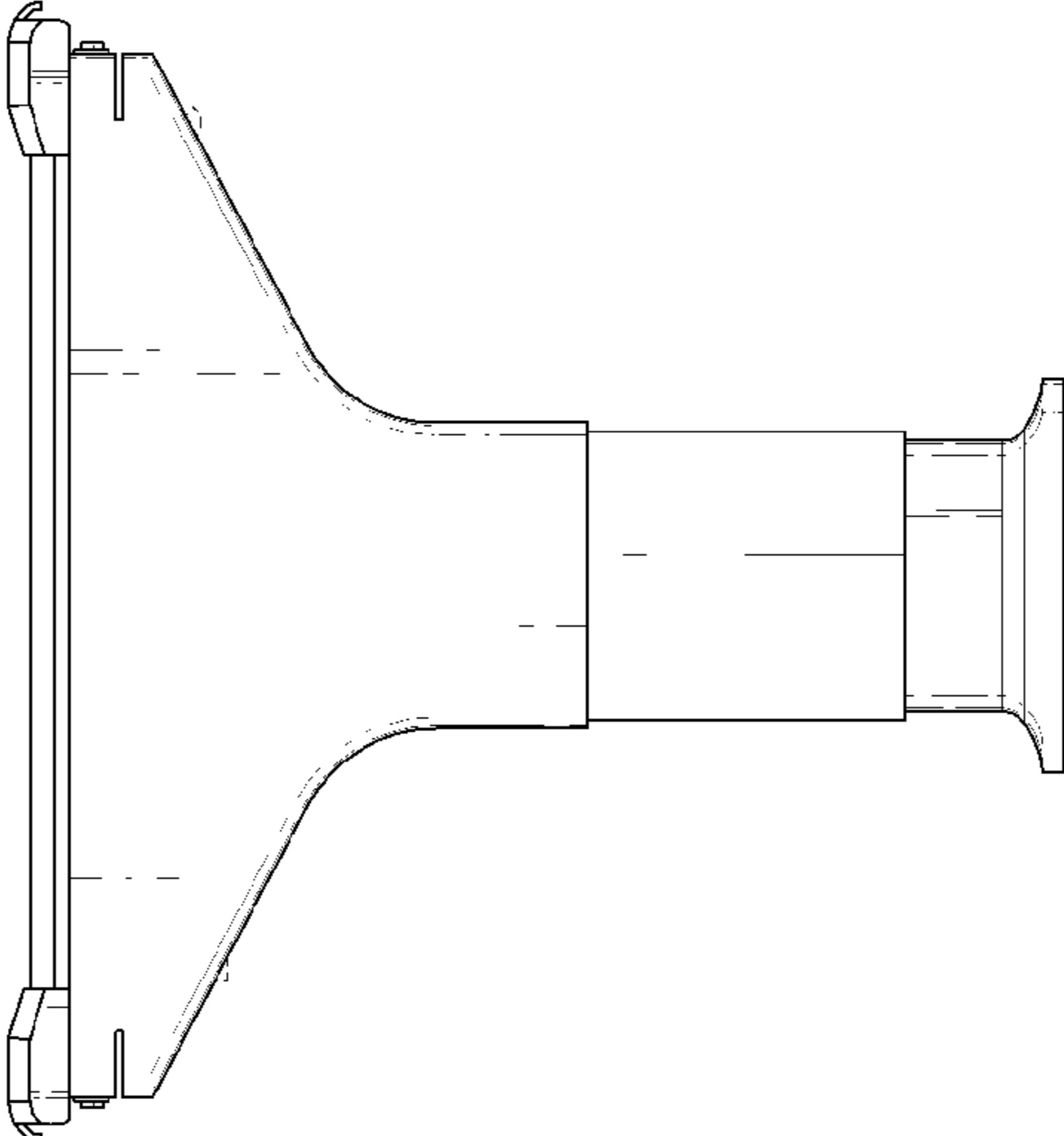


FIG. 6

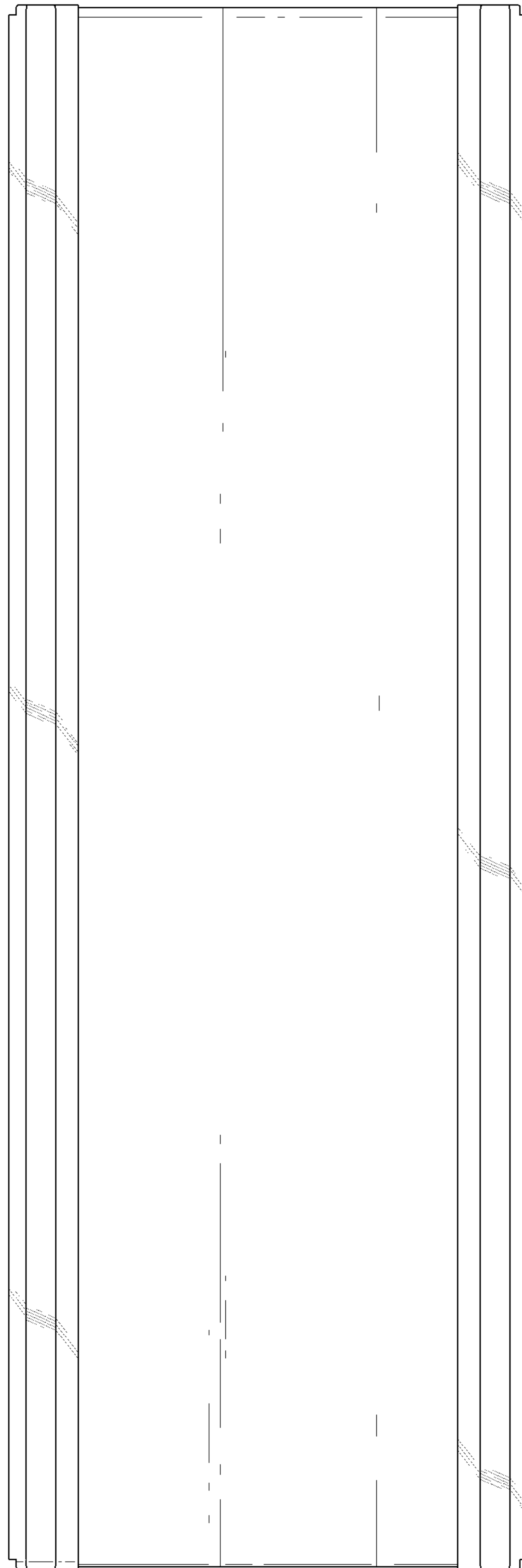


FIG. 7

