



US00D731062S

(12) **United States Design Patent**
Meyer et al.

(10) **Patent No.:** **US D731,062 S**

(45) **Date of Patent:** **** Jun. 2, 2015**

(54) **PROSTHETIC FOOT**

(71) Applicant: **Bulldog Tools, Inc.**, Lewisburg, OH (US)

(72) Inventors: **Robert B. Meyer**, Lewisburg, OH (US);
Wilbur N. Meyer, Brookville, OH (US)

(73) Assignee: **Bulldog Tools, Inc.**, Lewisburg, OH (US)

(**) Term: **14 Years**

(21) Appl. No.: **29/452,041**

(22) Filed: **Apr. 11, 2013**

(51) **LOC (10) Cl.** **24-02**

(52) **U.S. Cl.**
USPC **D24/155**

(58) **Field of Classification Search**
USPC D24/155-157; 623/53-56
See application file for complete search history.

(56) **References Cited**

U.S. PATENT DOCUMENTS

5,156,632	A	10/1992	Wellershaus	
5,509,938	A *	4/1996	Phillips	623/56
5,899,944	A *	5/1999	Phillips	623/55
6,197,066	B1	3/2001	Gabourie	
6,514,293	B1	2/2003	Jang et al.	

6,527,811	B1 *	3/2003	Phillips	623/52
6,929,665	B2 *	8/2005	Christensen	623/52
7,060,104	B2 *	6/2006	Phillips	623/55
D579,115	S *	10/2008	Rubie et al.	D24/155
D632,392	S *	2/2011	Jacobs et al.	D24/155
D633,205	S *	2/2011	Muhlenberend	D24/155
D633,618	S *	3/2011	Johnson et al.	D24/155
2003/0144745	A1 *	7/2003	Phillips	623/55
2003/0191541	A1 *	10/2003	Phillips	623/55
2007/0027557	A1 *	2/2007	Jonsson et al.	623/55

* cited by examiner

Primary Examiner — Ian Simmons

Assistant Examiner — Charles Hanson

(74) *Attorney, Agent, or Firm* — Jacox, Meckstroth & Jenkins

(57) **CLAIM**

The ornamental design of a prosthetic foot, as shown and described.

DESCRIPTION

FIG. 1 is a perspective view of a prosthetic foot and showing our new design;

FIG. 2 is top view thereof;

FIG. 3 is a front view thereof;

FIG. 4 is a side view thereof, the opposite side view being a mirror image;

FIG. 5 is a rear view thereof; and,

FIG. 6 is a bottom view thereof.

1 Claim, 1 Drawing Sheet

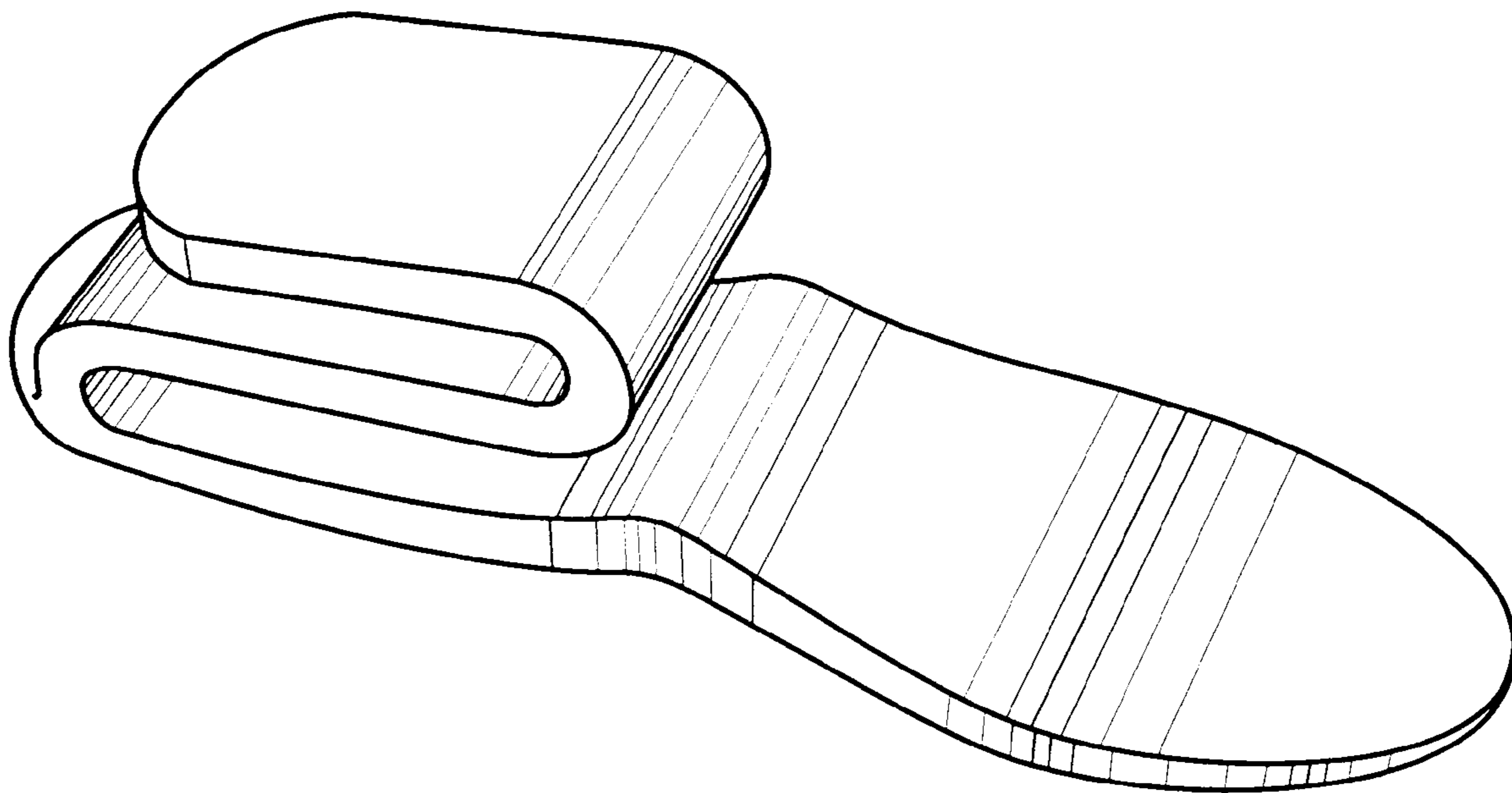


FIG. 1

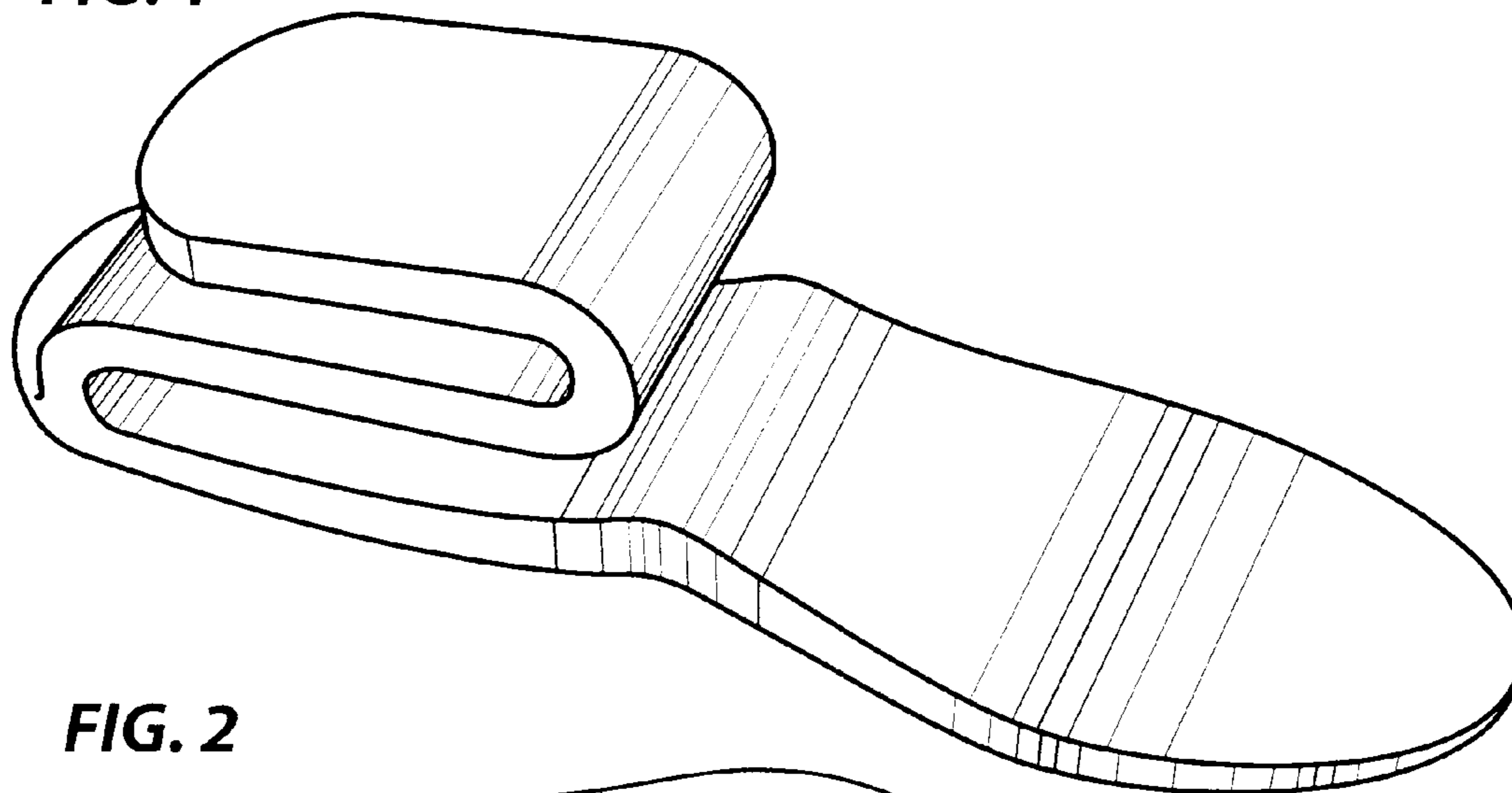


FIG. 2

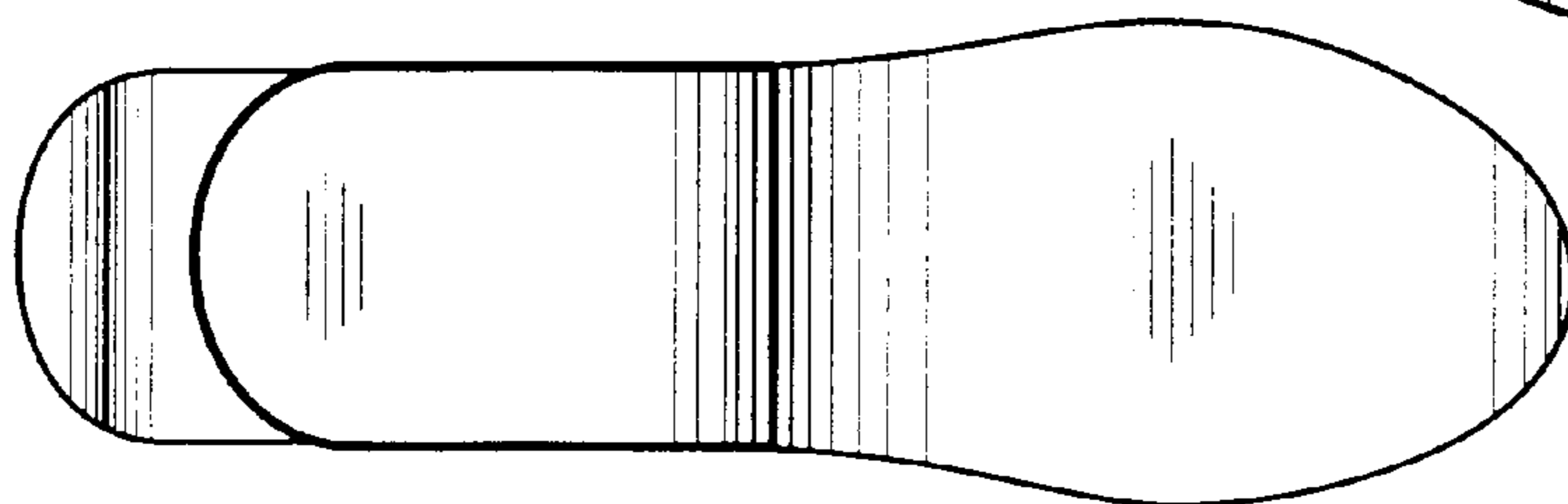


FIG. 3

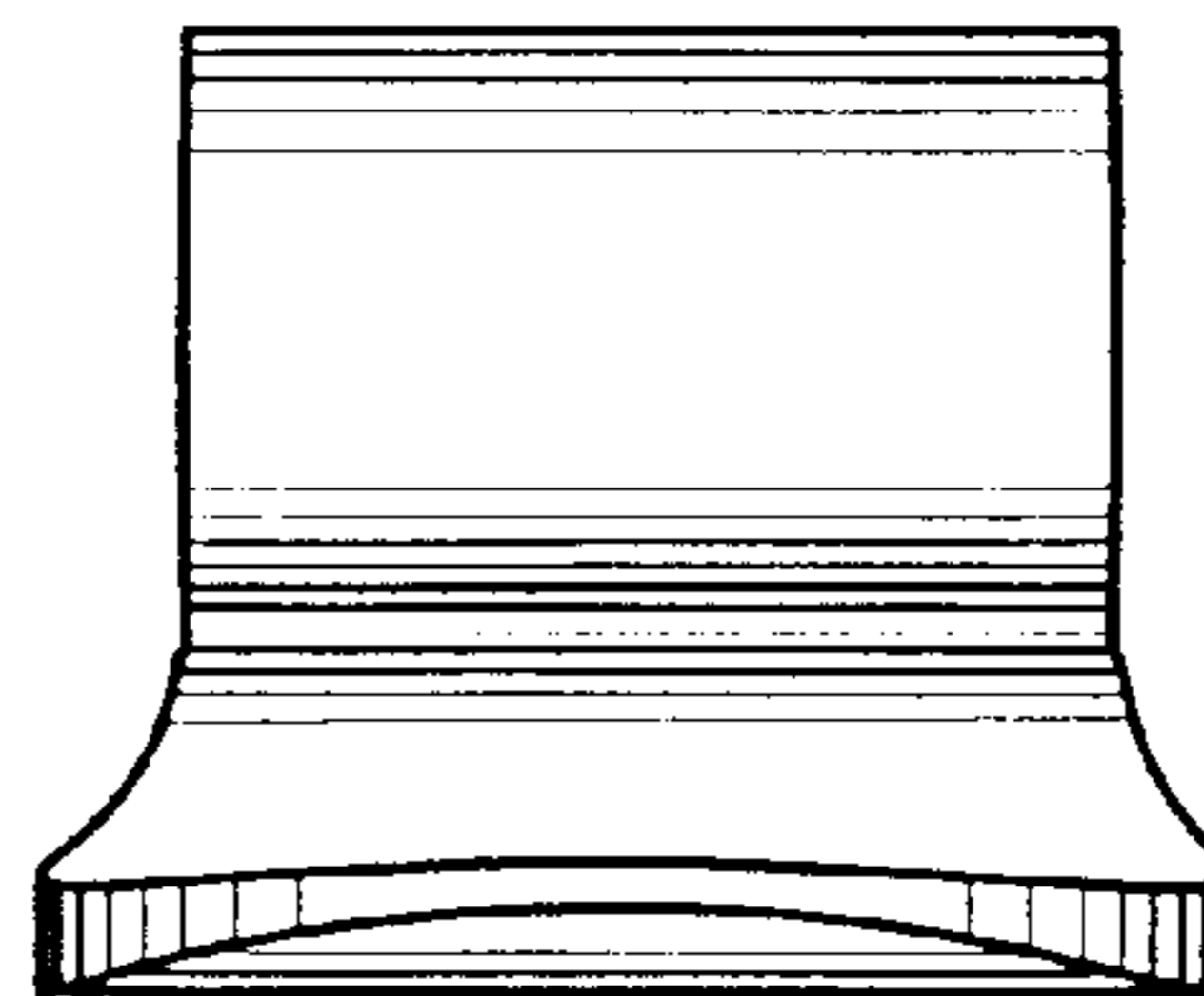


FIG. 4

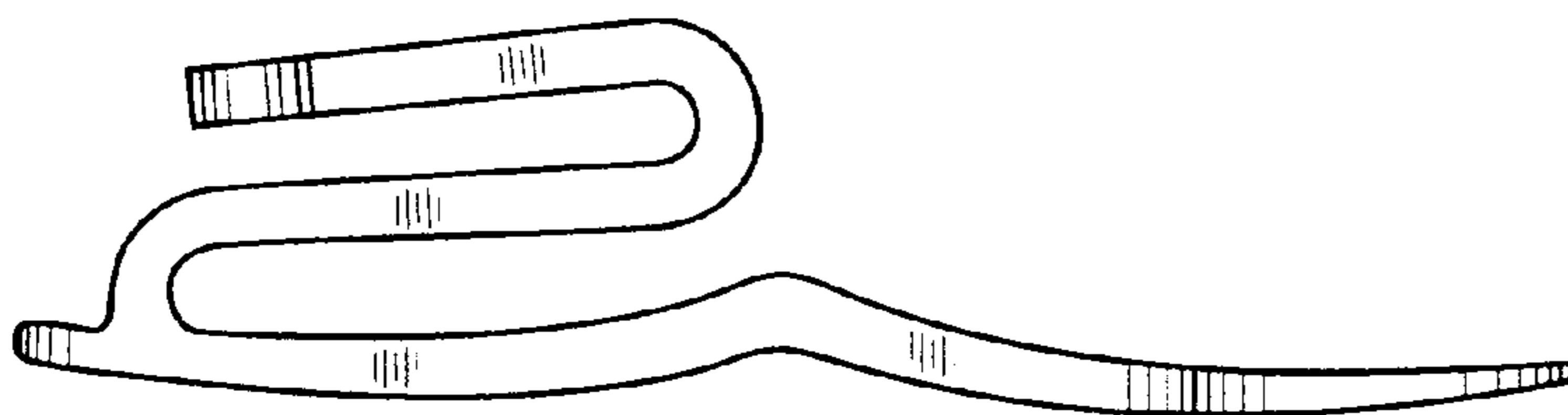


FIG. 5

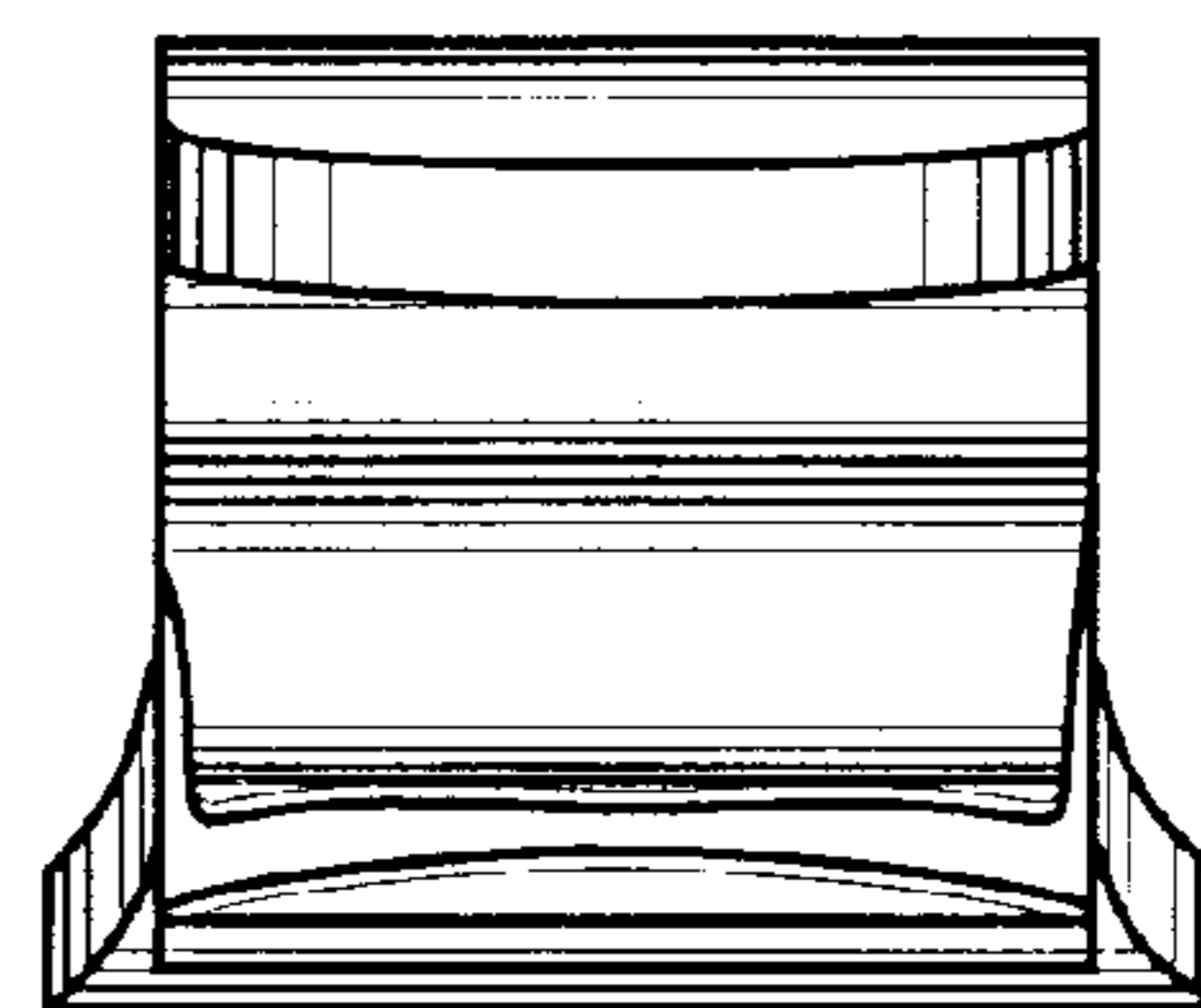


FIG. 6

