



US00D731061S

(12) **United States Design Patent**
Monterroso et al.

(10) **Patent No.:** **US D731,061 S**
(45) **Date of Patent:** **** Jun. 2, 2015**

(54) **INTERVERTEBRAL IMPLANT**
(71) Applicant: **NuVasive, Inc.**, San Diego, CA (US)
(72) Inventors: **Roberto Monterroso**, San Diego, CA (US); **Ryan Donahoe**, San Diego, CA (US); **Troy M. Walters**, Plymouth, IN (US)
(73) Assignee: **NuVasive, Inc.**, San Diego, CA (US)

7,214,243 B2 5/2007 Taylor
7,226,482 B2 6/2007 Messerli
7,267,690 B2 9/2007 Felt
D553,742 S * 10/2007 Park D24/155
7,288,115 B2 10/2007 Hawkins
7,323,011 B2 1/2008 Shepard
D580,552 S * 11/2008 Cohen et al. D24/155
7,491,237 B2 2/2009 Randall
D594,986 S 6/2009 Miles
D595,853 S * 7/2009 Hanson et al. D24/155

(Continued)

(**) Term: **14 Years**
(21) Appl. No.: **29/438,314**
(22) Filed: **Nov. 28, 2012**
(51) **LOC (10) Cl.** **24-02**
(52) **U.S. Cl.**
USPC **D24/155**
(58) **Field of Classification Search**
USPC D24/155-157; 623/17.11-17.16, 20.29;
606/90, 85, 86 A, 87, 279; 128/898
See application file for complete search history.

FOREIGN PATENT DOCUMENTS

CN 201719408 1/2011
WO WO-02/065957 8/2002

Primary Examiner — Ian Simmons
Assistant Examiner — Charles Hanson
(74) *Attorney, Agent, or Firm* — Jonathan Spangler; Heather Prado

(57) **CLAIM**
The ornamental design for an intervertebral implant, substantially as shown and described.

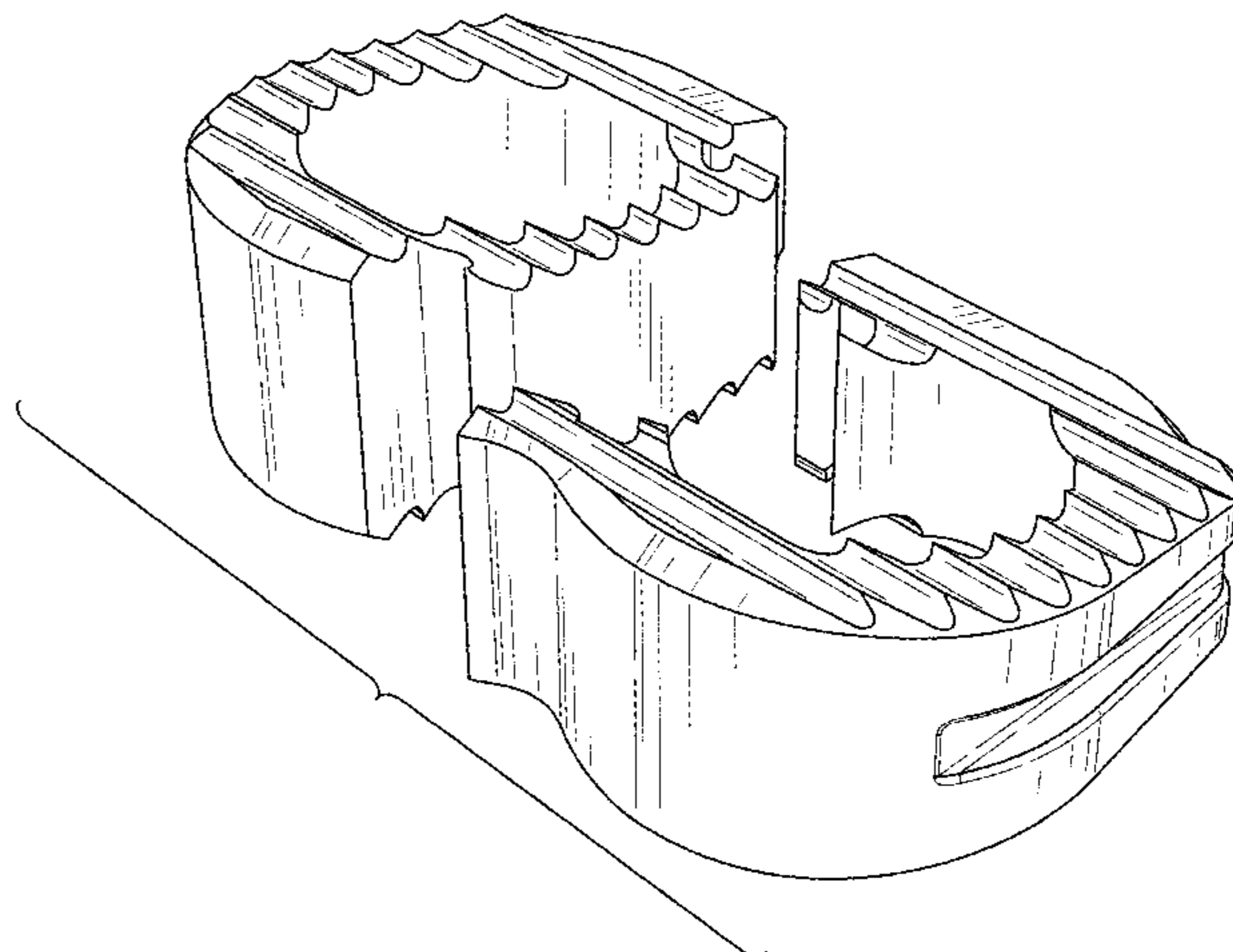
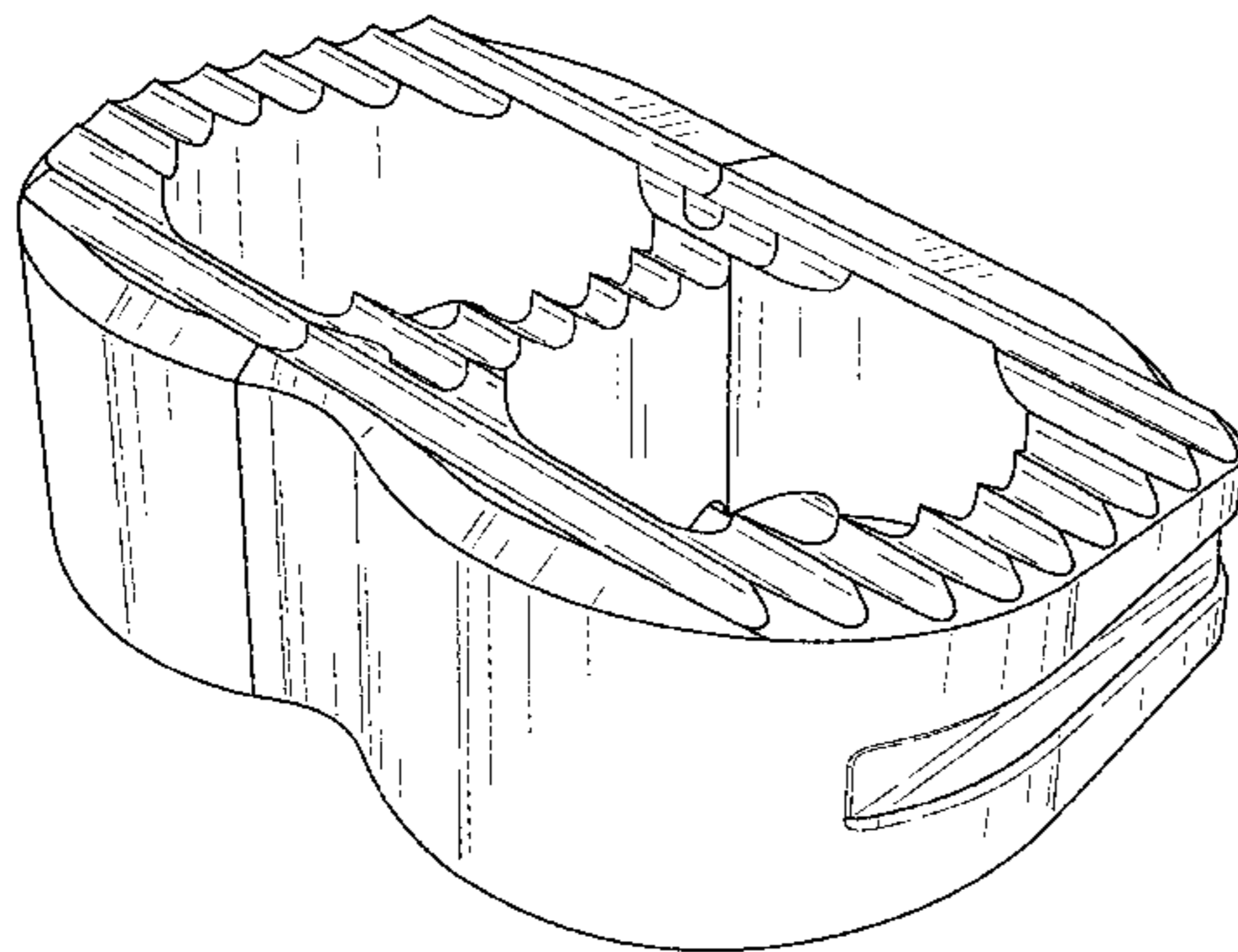
(56) **References Cited**
U.S. PATENT DOCUMENTS

5,397,364 A 3/1995 Kozak
5,522,899 A 6/1996 Michelson
6,258,125 B1 7/2001 Paul
6,302,914 B1 10/2001 Michelson
6,468,311 B2 10/2002 Boyd
6,558,424 B2 5/2003 Thalgott
6,719,794 B2 4/2004 Gerber
6,723,126 B1 4/2004 Berry
6,726,720 B2 4/2004 Ross
6,743,256 B2 6/2004 Mason
D493,533 S 7/2004 Blain
6,761,738 B1 7/2004 Boyd
6,974,480 B2 12/2005 Messerli
7,011,685 B2 3/2006 Arnin
7,018,413 B2 3/2006 Krueger
7,018,416 B2 3/2006 Hanson
7,060,100 B2 6/2006 Ferree
D530,423 S 10/2006 Miles

DESCRIPTION

FIG. 1 is a top view of an intervertebral implant showing our new design;
FIG. 2 is another top view thereof;
FIG. 3 is a bottom view thereof;
FIG. 4 is another bottom view thereof;
FIG. 5 is a first end view thereof;
FIG. 6 is another first end view thereof;
FIG. 7 is a second end view thereof;
FIG. 8 is another second end view thereof;
FIG. 9 is a perspective view thereof;
FIG. 10 is another perspective view thereof;
FIG. 11 is a first side view thereof; and,
FIG. 12 is a second side view thereof.
The broken line showing is included for the purpose of illustrating environment and forms no part of the claimed design.

1 Claim, 6 Drawing Sheets



(56)

References Cited

U.S. PATENT DOCUMENTS

D599,019 S	8/2009	Pimenta		D675,320 S	1/2013	Oi
7,618,458 B2	11/2009	Biedermann		D696,402 S	12/2013	Oi
D611,147 S *	3/2010	Hanson et al.	D24/155	8,617,244 B2	12/2013	Reichen
D615,653 S *	5/2010	Horton	D24/155	8,673,010 B2	3/2014	Compton
D621,509 S	8/2010	Lovell		8,709,083 B2	4/2014	Duffield
7,780,732 B2	8/2010	Abernathie		D708,747 S	7/2014	Curran
D623,747 S *	9/2010	Horton	D24/155	D711,537 S	8/2014	Pimenta
D623,748 S *	9/2010	Horton et al.	D24/155	8,900,307 B2	12/2014	Hawkins
D623,749 S *	9/2010	Horton et al.	D24/155	D721,808 S	1/2015	Oi
D627,468 S *	11/2010	Richter et al.	D24/155	2002/0183850 A1	12/2002	Felt
7,850,734 B2	12/2010	Oh		2003/0139812 A1	7/2003	Garcia
D631,967 S *	2/2011	Horton	D24/155	2004/0002758 A1	1/2004	Landry
D637,721 S *	5/2011	Horton	D24/155	2004/0010318 A1	1/2004	Ferree
8,002,833 B2	8/2011	Fabris		2005/0107795 A1	5/2005	Morris
8,110,004 B2	2/2012	Valdevit		2005/0177245 A1	8/2005	Leatherbury
8,128,700 B2	3/2012	Delurio		2006/0195191 A1	8/2006	Sweeney
8,163,026 B2	4/2012	Gray		2006/0235535 A1	10/2006	Ferree
8,187,329 B2	5/2012	Theofilos		2008/0119853 A1	5/2008	Felt
8,241,359 B2	8/2012	Davis		2008/0133017 A1	6/2008	Beyar
8,273,127 B2	9/2012	Jones		2008/0154379 A1	6/2008	Steiner
8,287,572 B2	10/2012	Bae		2008/0234822 A1	9/2008	Govil
D671,645 S	11/2012	Curran		2009/0157186 A1	6/2009	Magerl
D674,092 S	1/2013	Lovell		2010/0256680 A1	10/2010	Pasquet
				2010/0268349 A1	10/2010	Bianchi
				2010/0305704 A1	12/2010	Messerli

* cited by examiner

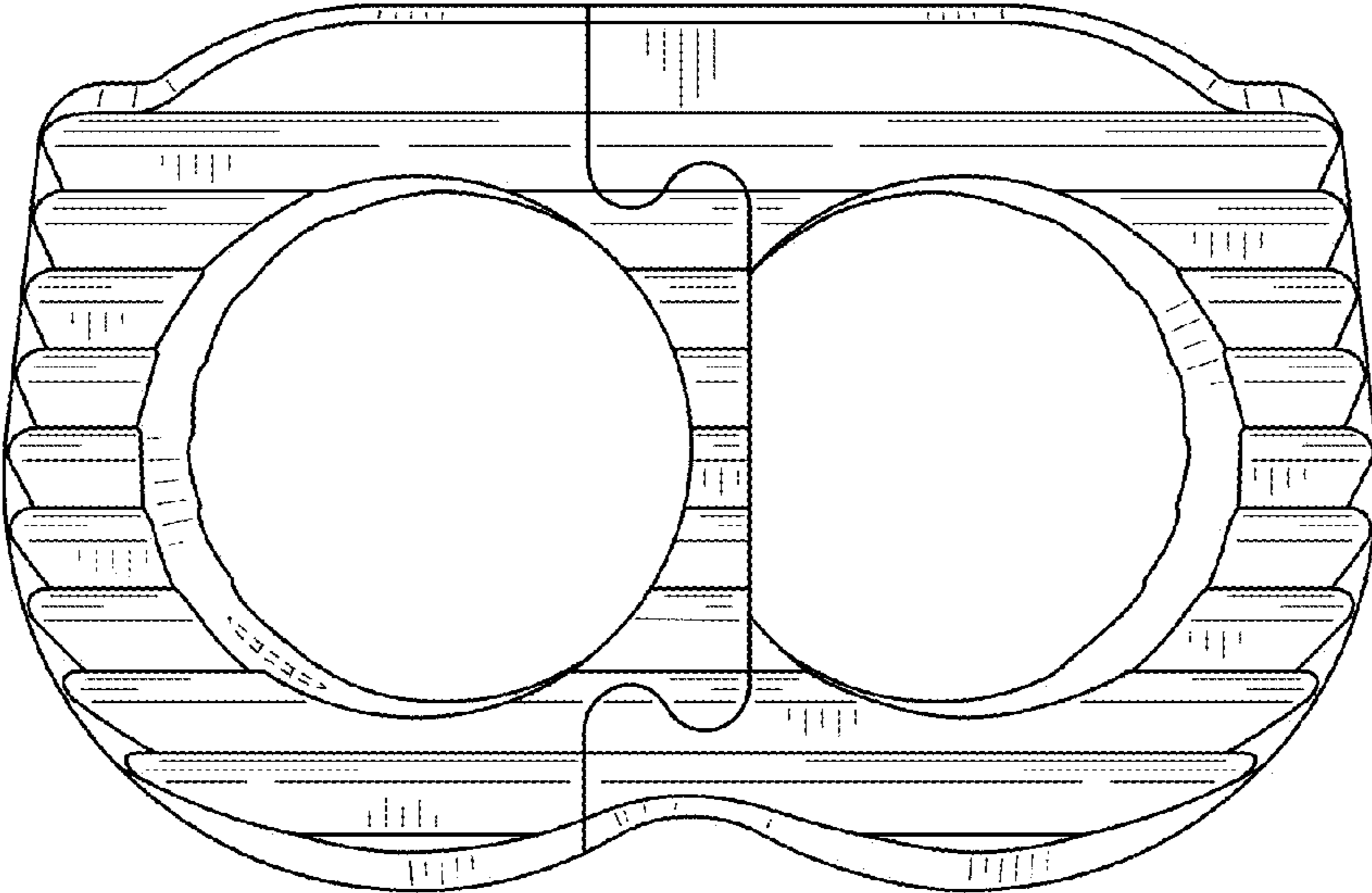


FIG. 1

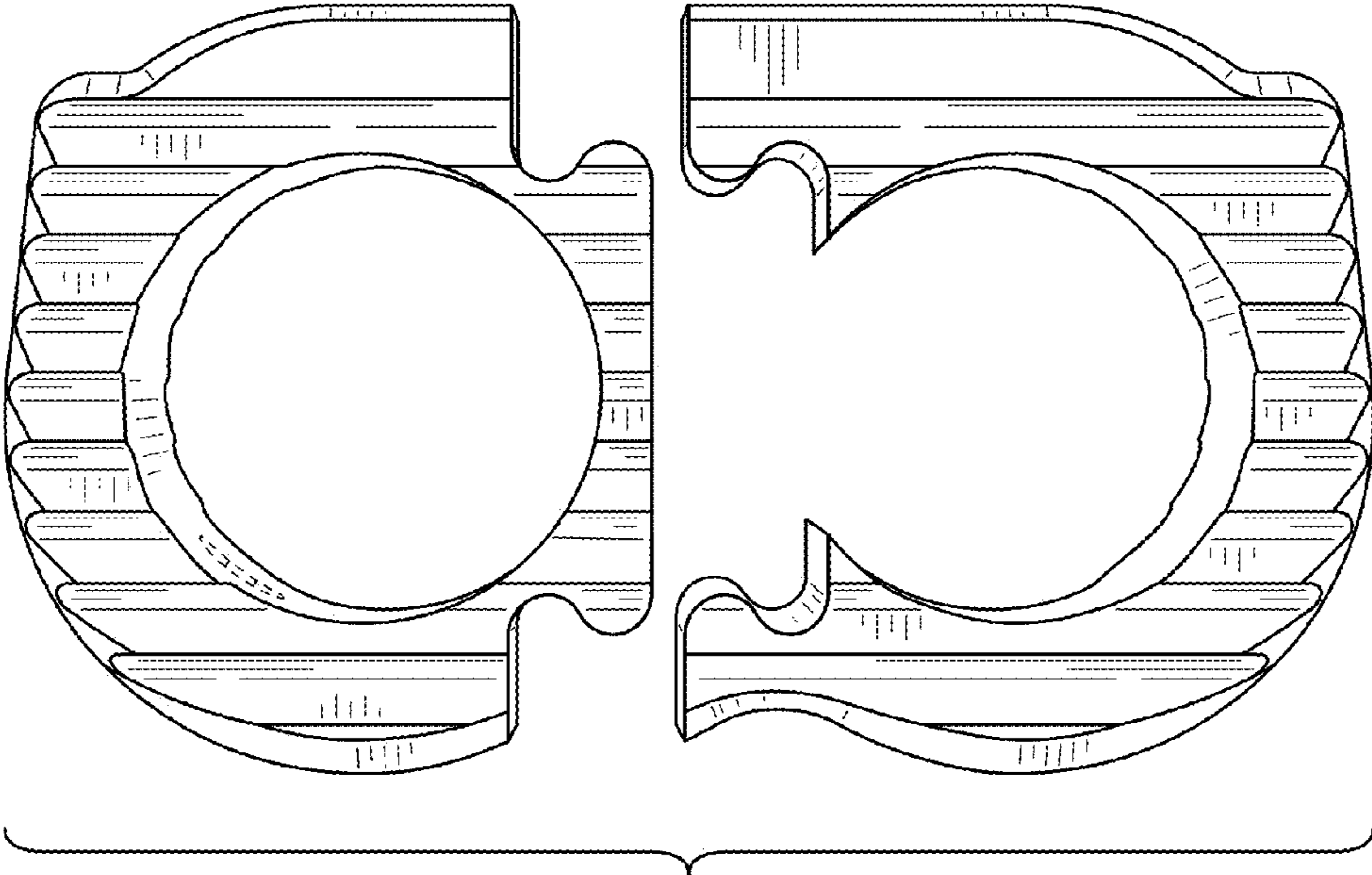


FIG. 2

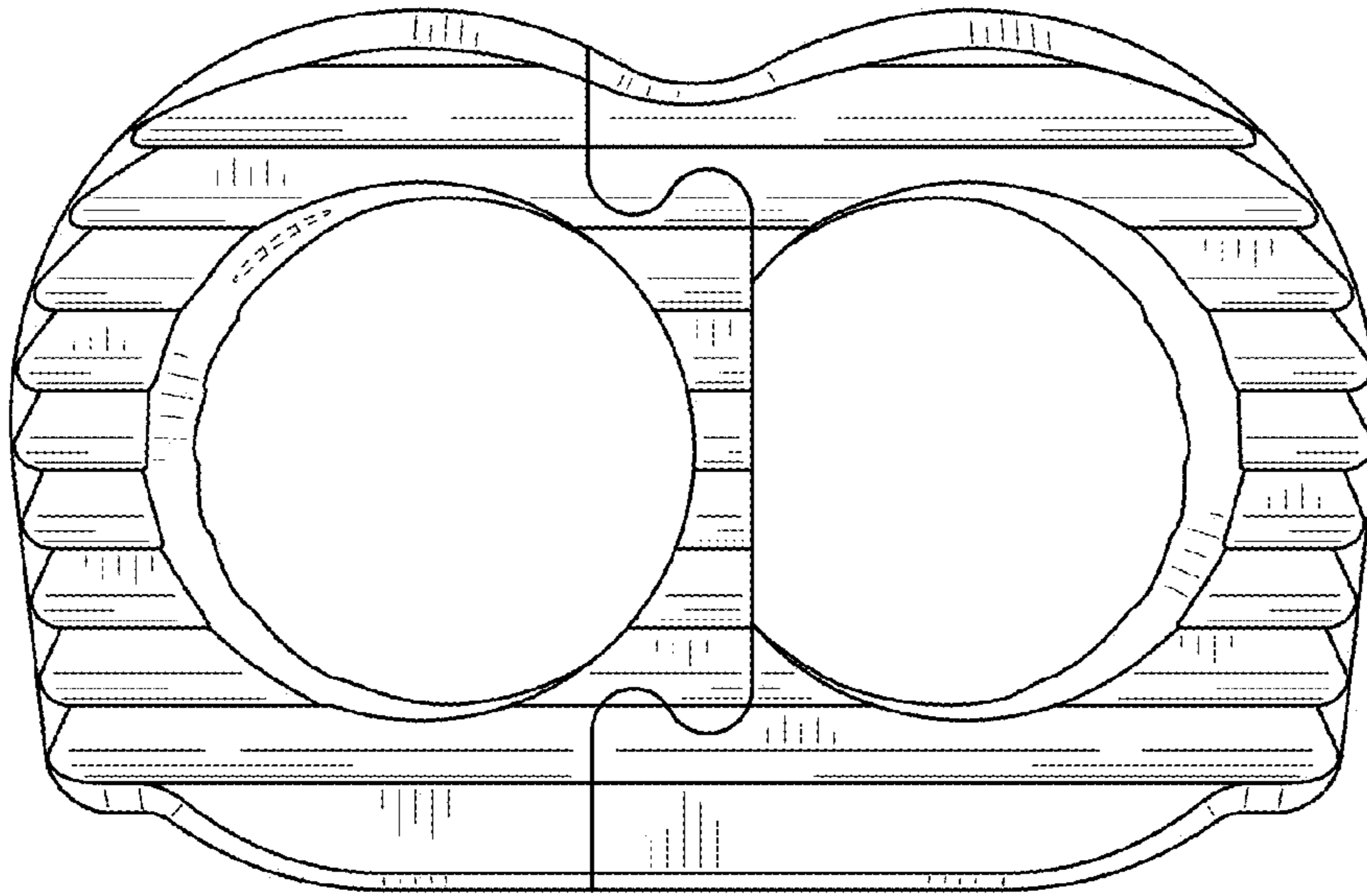


FIG. 3

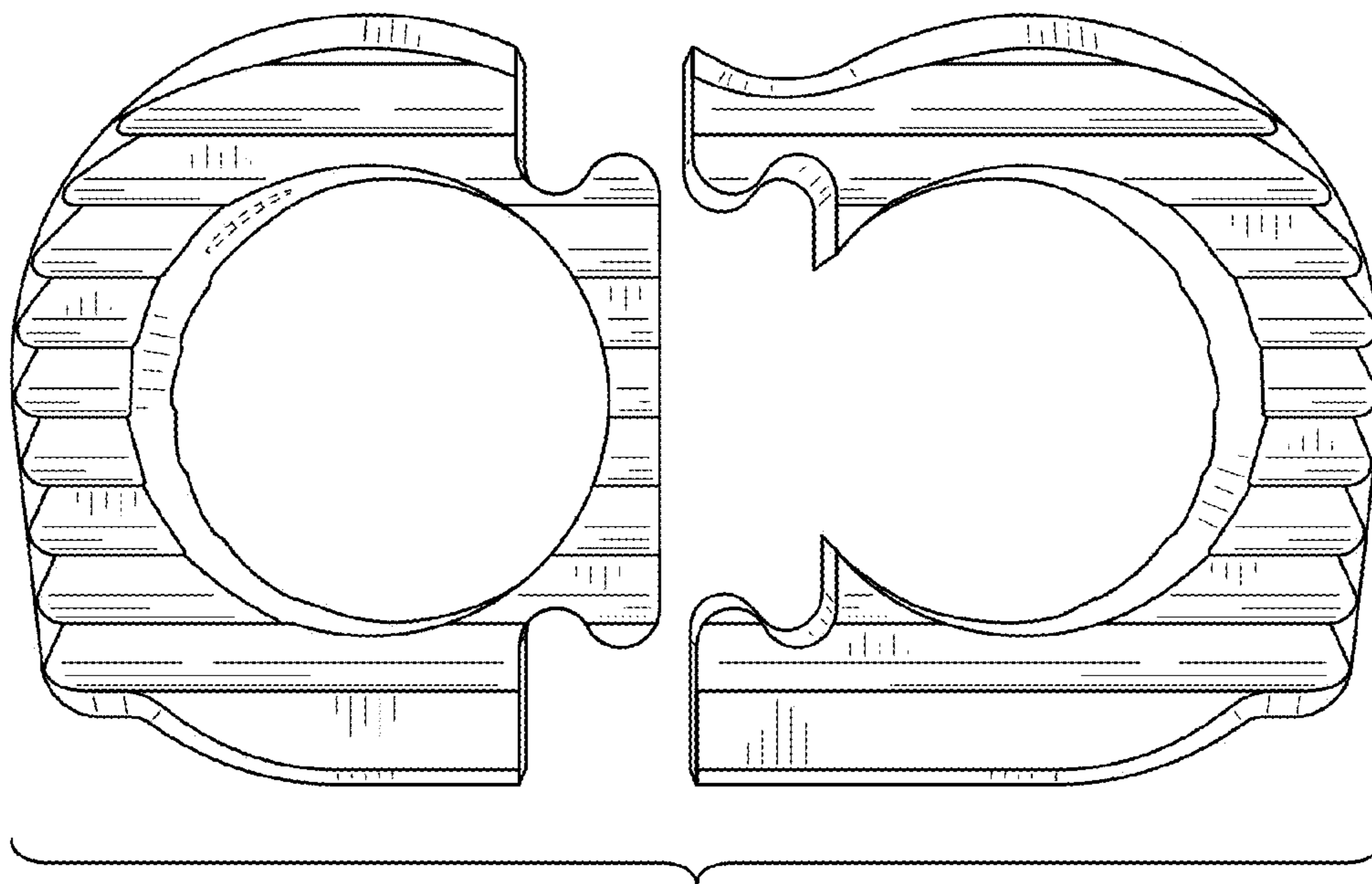


FIG. 4

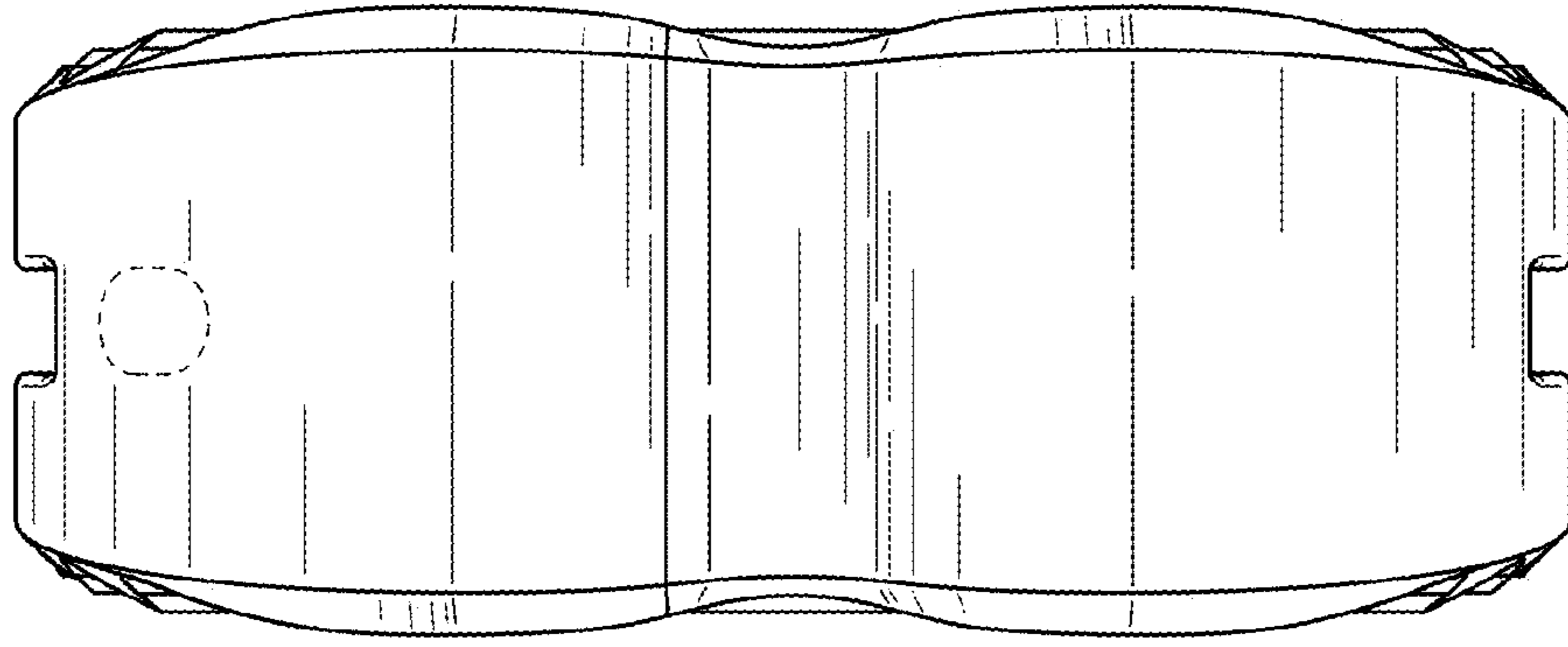


FIG. 5

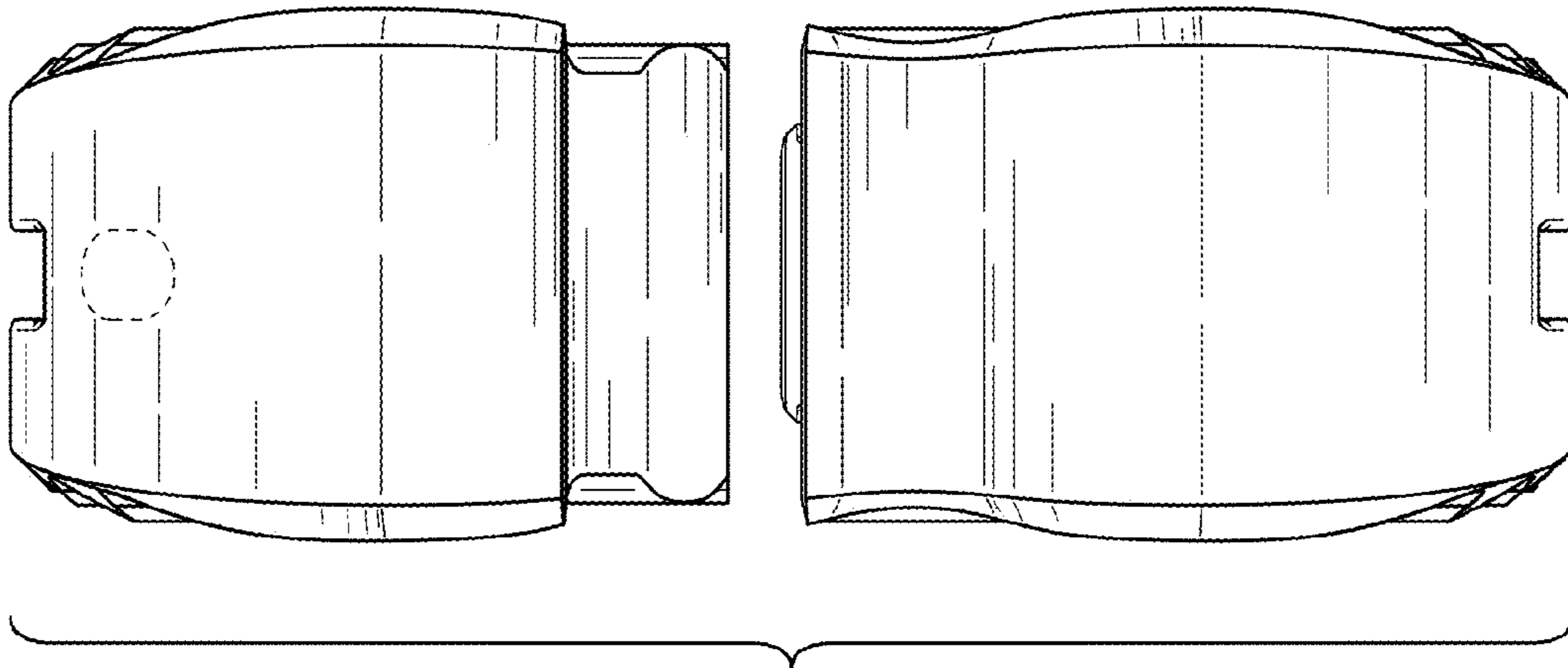


FIG. 6

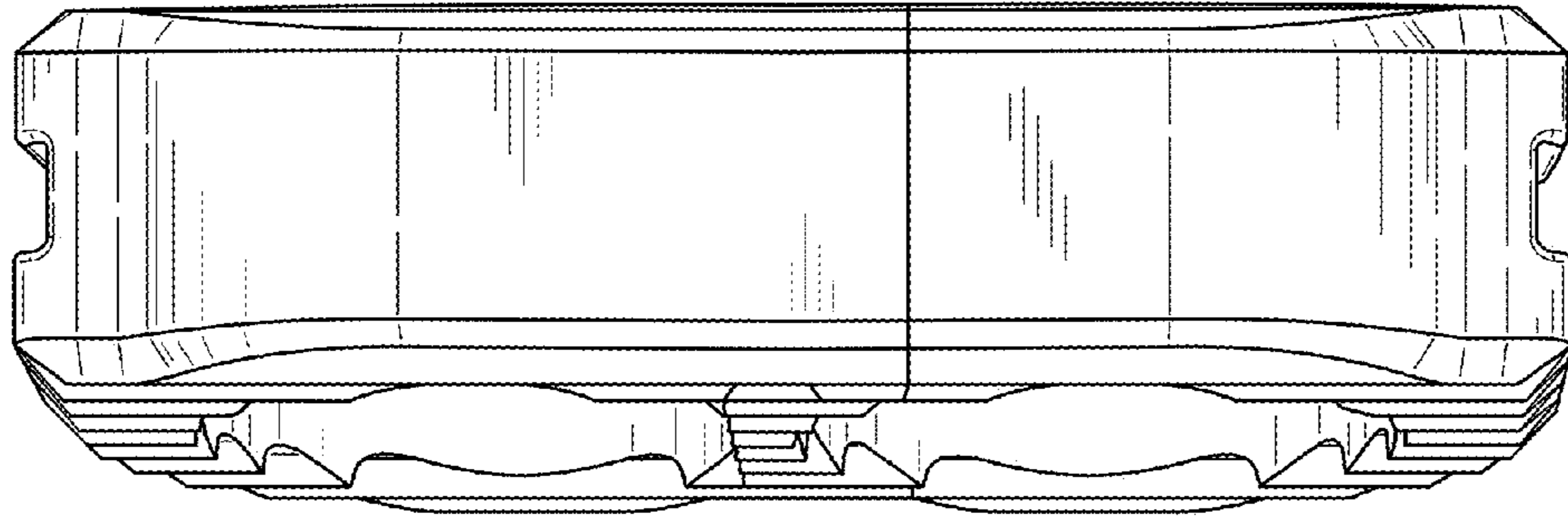


FIG. 7

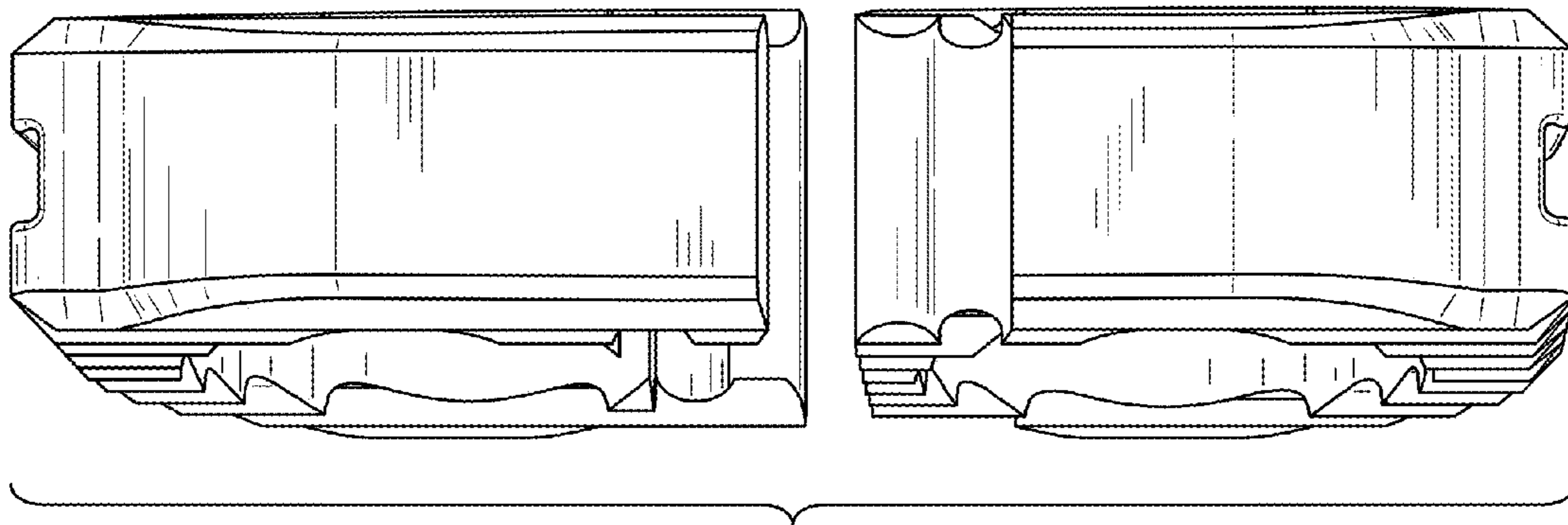


FIG. 8

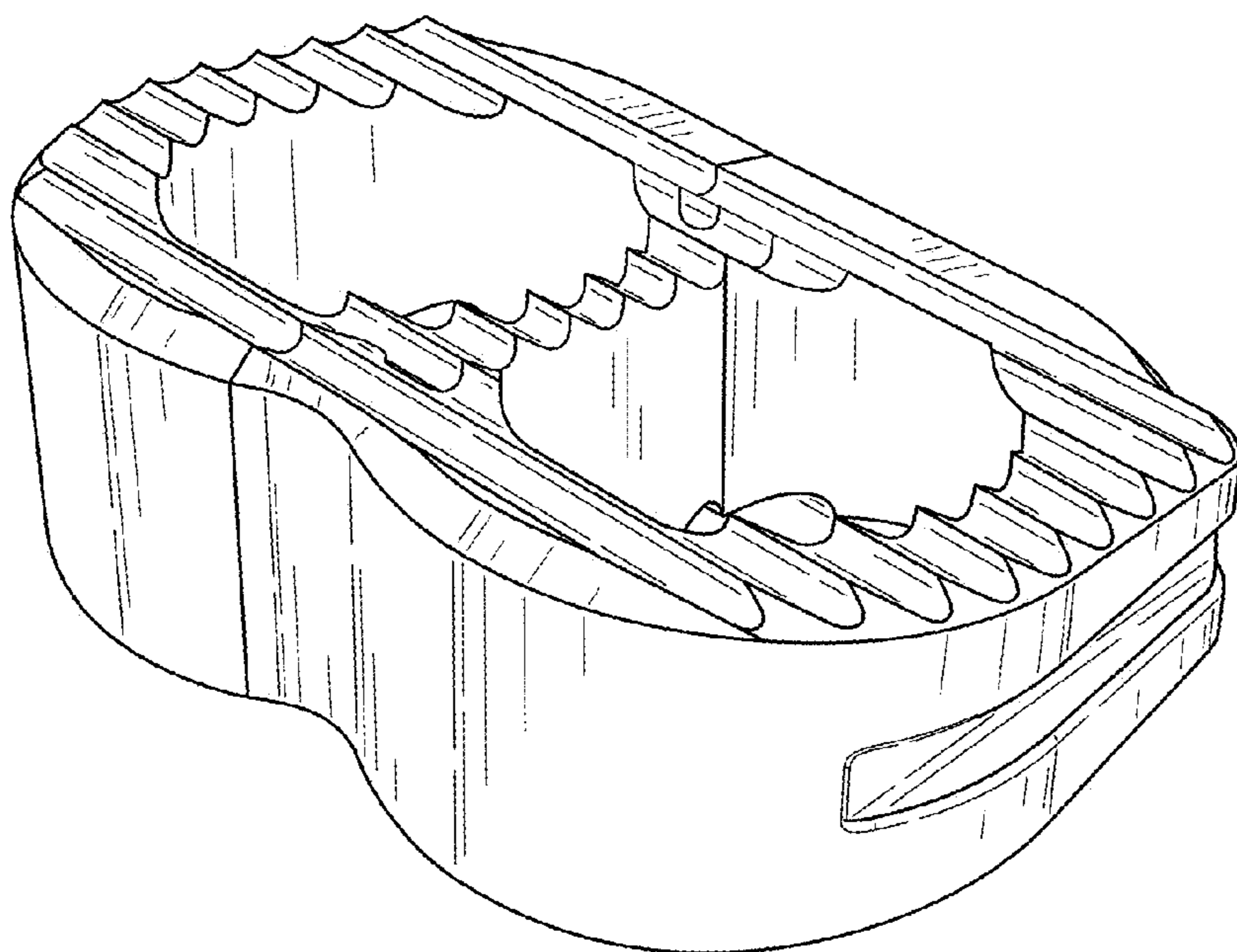


FIG. 9

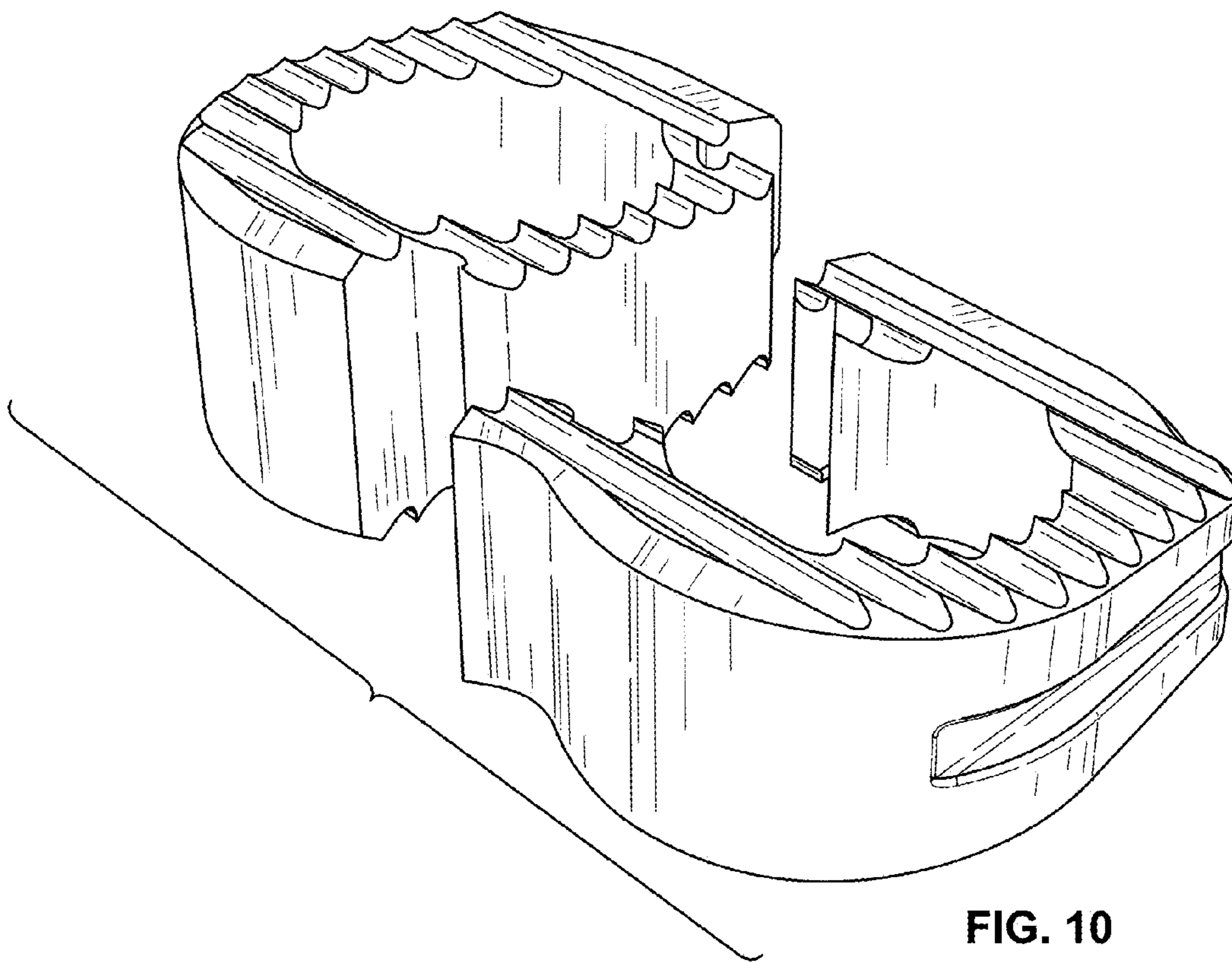


FIG. 10

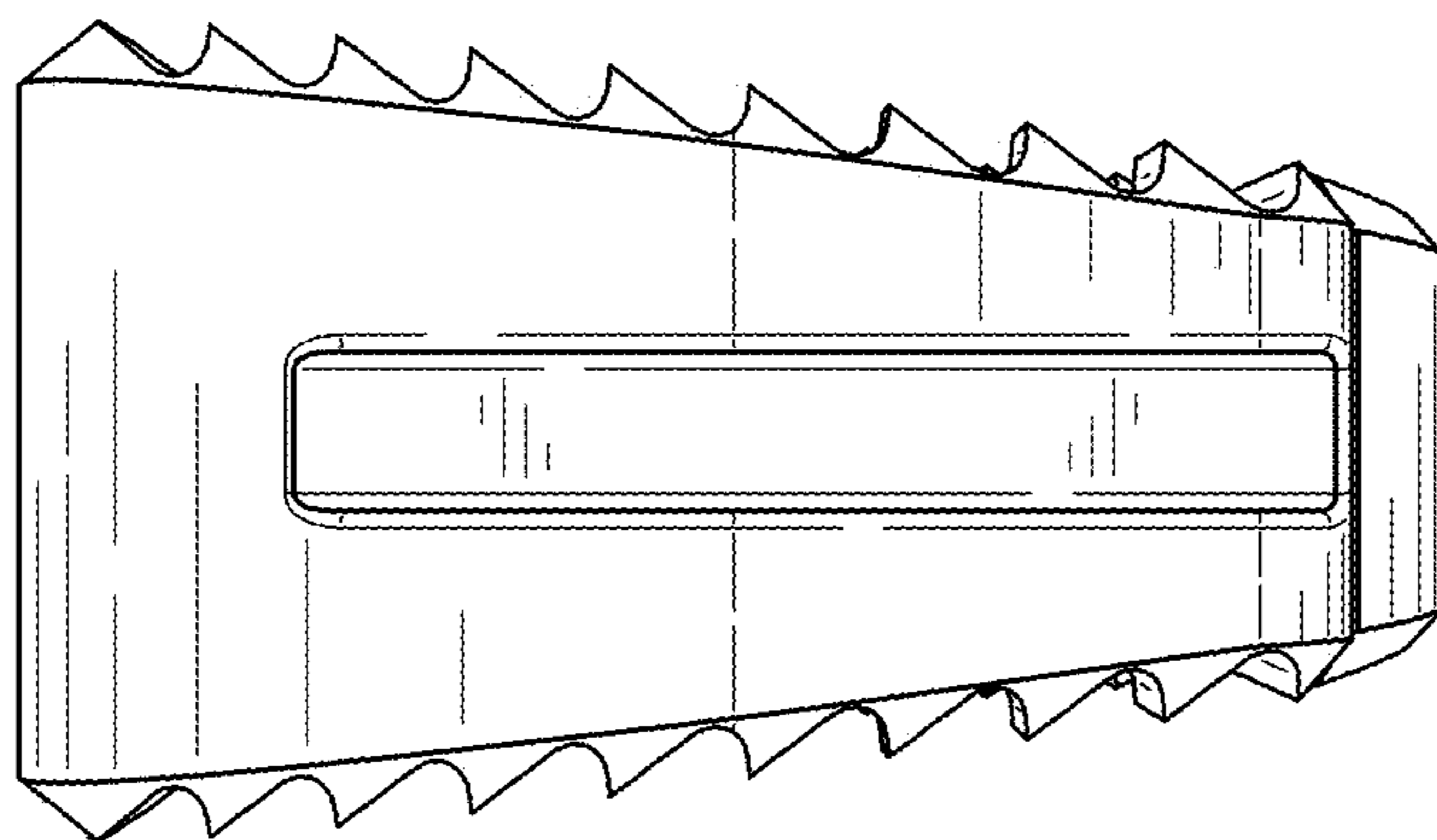


FIG. 11

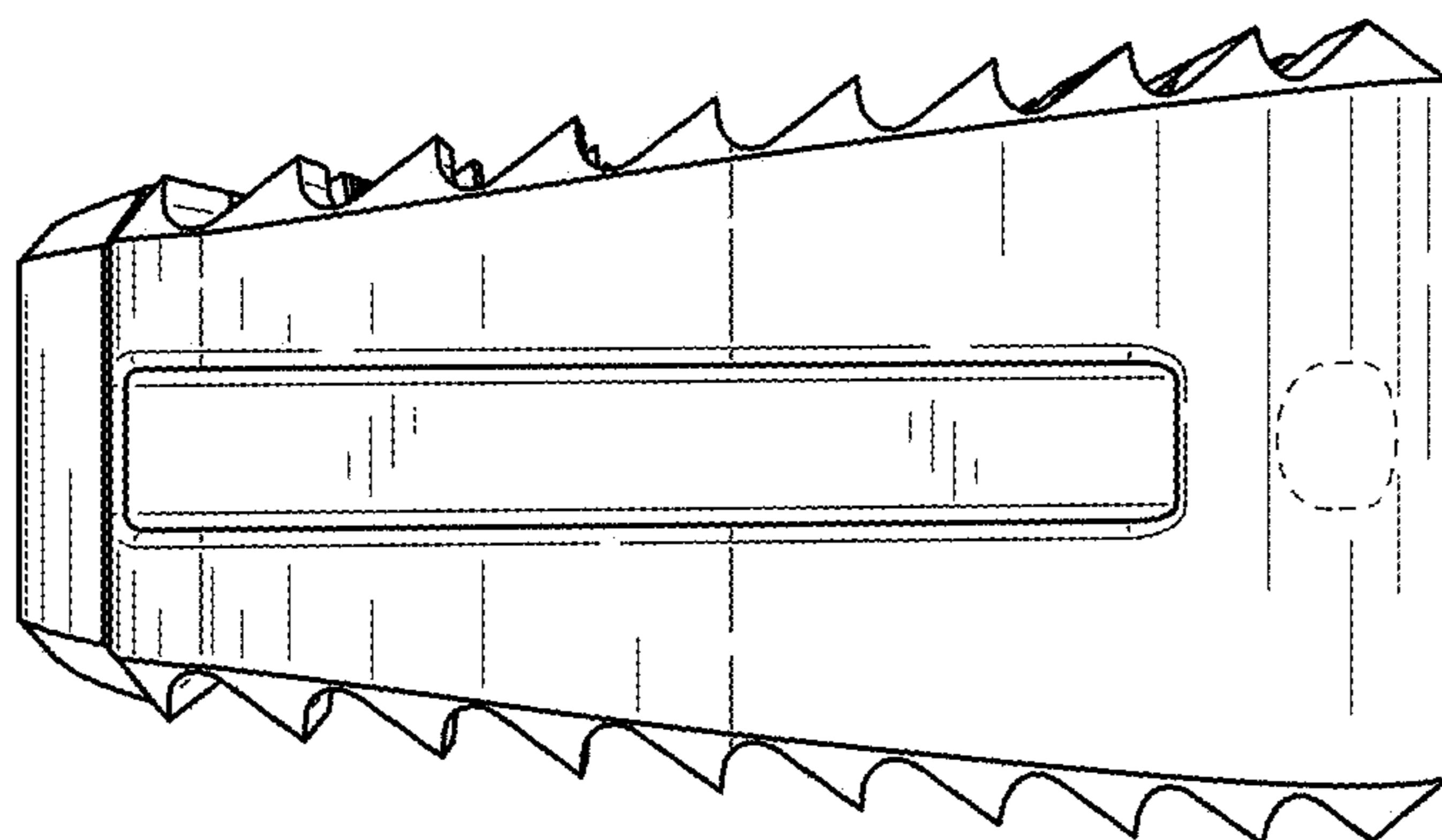


FIG. 12